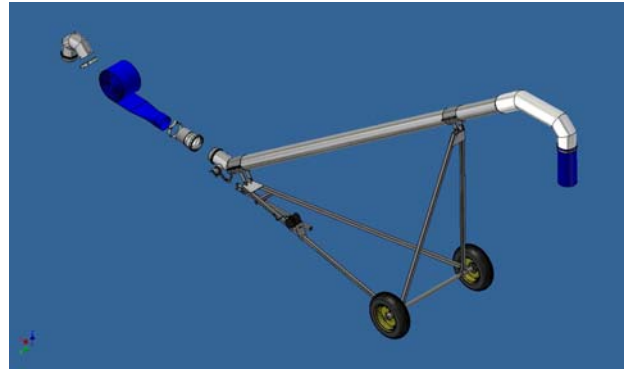
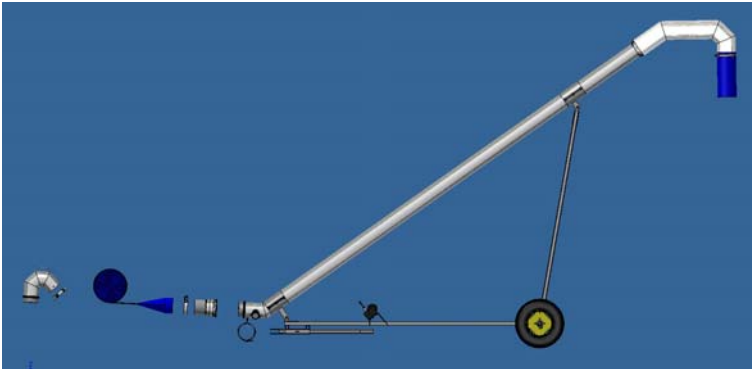




PIPE CART 8" & 10"



COMMITTED TO QUALITY YOU CAN DEPEND ON!



8" Pipe Cart 25 Feet Long Standard Features

- Top Elbow Larger to Control Foam.
- 8" Alum Pipe
- All Steel Frame
- Winch To Adjust Height
- 20 Feet of 8" Blue Lay Flat Hose
- Alum Over 90 Elbow To Allow For Easy Mounting On Husky Pumps
- Splash Sock

Husky Farm Equipment Limited
7440 Wellington Rd. 17, R. R. # 2,
Alma, Ontario Canada N0B 1A0
www.huskyfarm.ca
Phone (519) 846 - 5329 Fax (519) 846 - 9378
1-800-349-1122



8" Pipe Cart 25 Feet Long

Options

- Anti Foam Canisters
- Basket For Hoses and Ends
- 3" Drain Hose
- 3" Quick Open Valve
- Longer 8" Blue Lay Flat Hose
- Heavy Duty 8 Drag Line Hose Instead Of Lay Flat



Standard 3" Pipe Drain

**HD Pipe Cart 25 Feet Long In 8" or 10" Available
Featuring**

- Steel Pipe & All Steel Frame
- 20 Feet Of HD Lay Flat Hose
- Steel Over 90 Elbow To Allow For Easy Mounting On Husky Pumps



Optional Pump Mount
Pipe Cart Frame



DEALER