

Office Copy  
May 14/02 - 20 made  
Oct 3/03 - 8 "  
Apr 23/04 - 10 "  
Apr 20/05 - 6 "

**HUSKY**  
**OO**

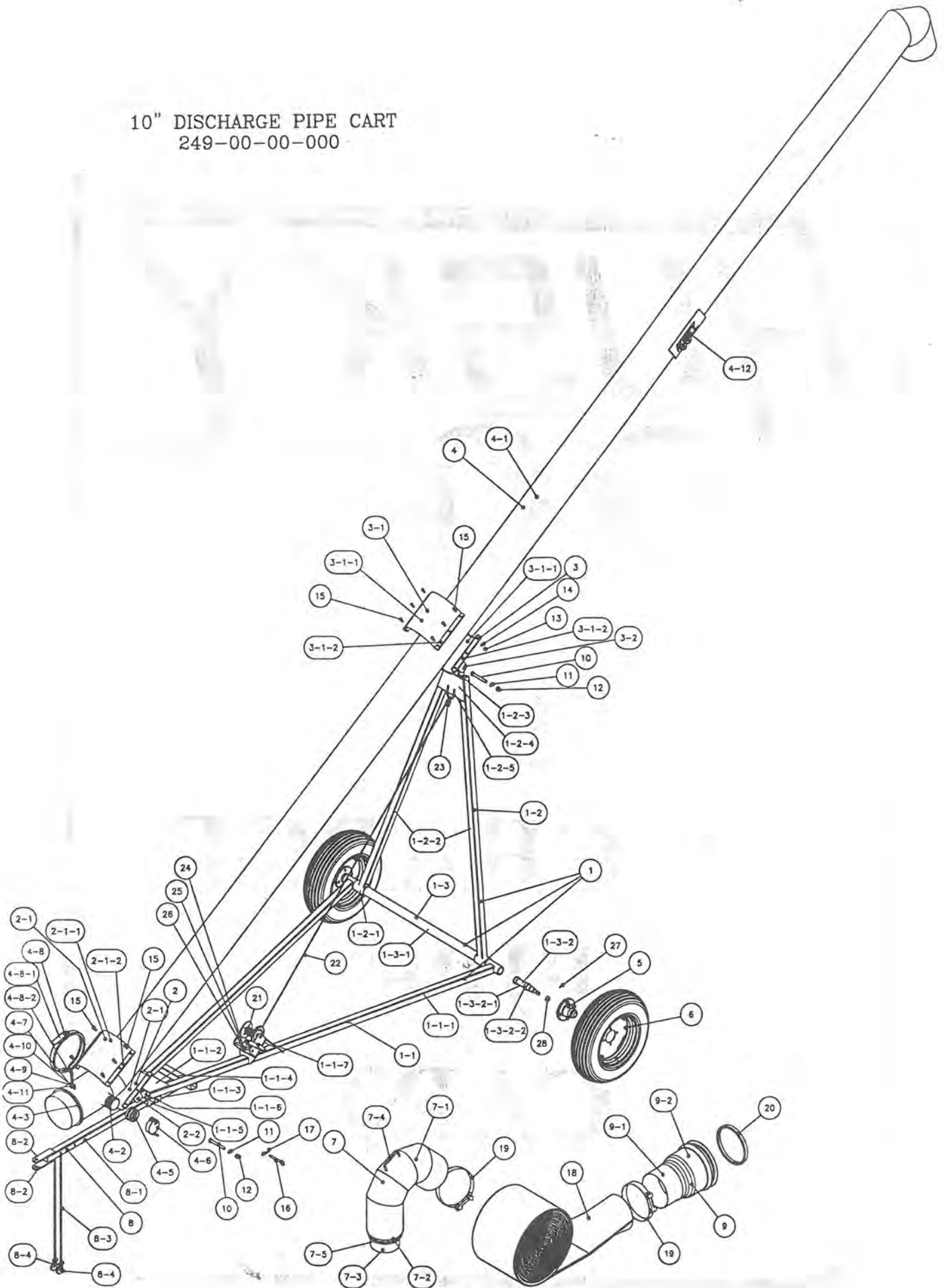
**10"**

**DISCHARGE**

**PIPE**

**CART**

10" DISCHARGE PIPE CART  
249-00-00-000

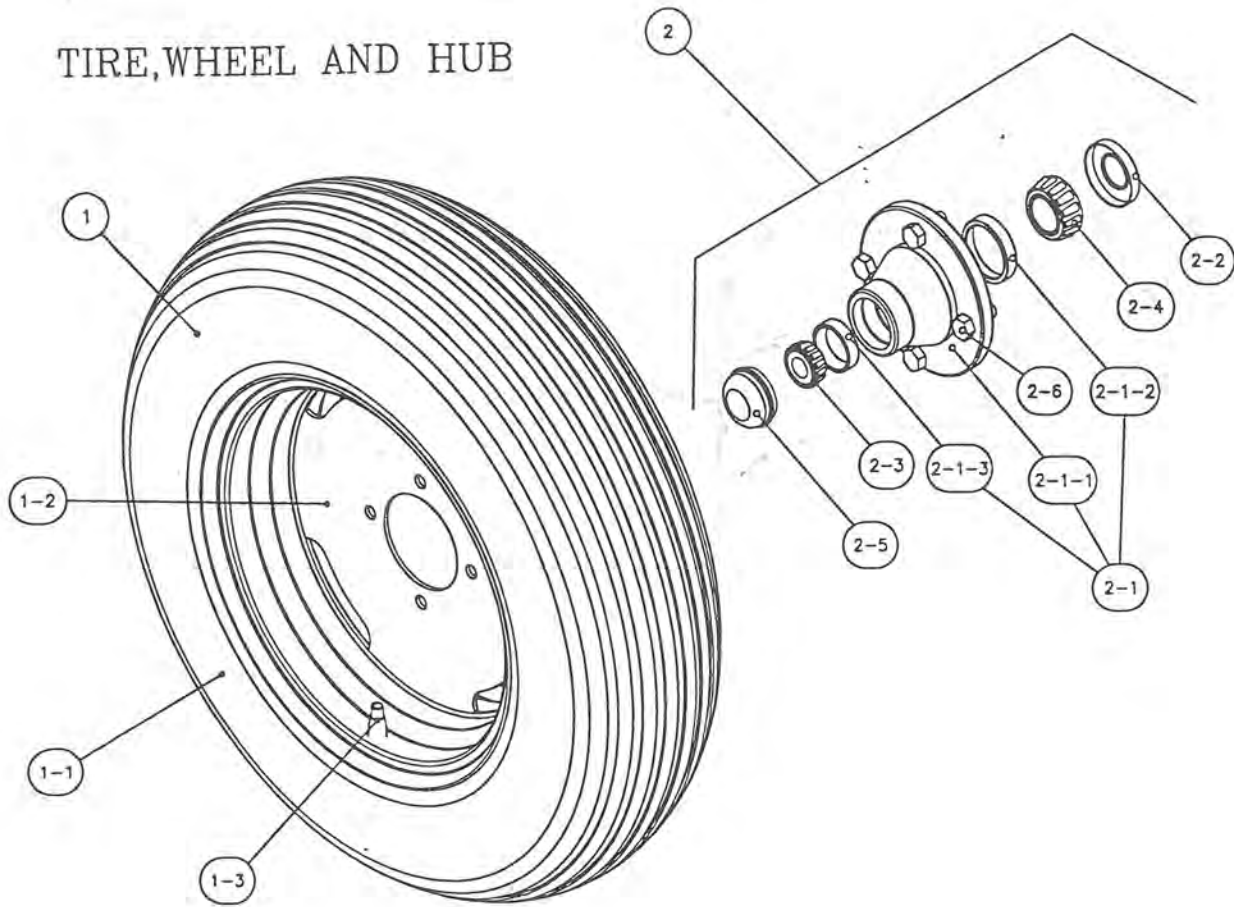


# 10" DISCHARGE PIPE CART

Item	Name	Description	Qty
1	248-01-00-000	LTILT FRAME ASSY	1
1-1	248-01-01-000	OUTER FRAME ASSY	1
1-1-1	248-01-01-001	OUTER FRAME ARM	2
1-1-2	248-01-01-002	GUSSET	1
1-1-3	248-01-01-004	SHORT CROSS TUBE	1
1-1-4	248-01-01-005	LONG CROSS TUBE	1
1-1-5	248-01-01-006	OUTER TONGUE TUBE	1
1-1-6	248-01-01-003	OUTER FRAME PIVOT BRACKET	2
1-1-7	248-01-01-037	WINCH BRKT	1
1-2	248-01-02-000	INNER FRAME ASSY	1
1-2-1	248-01-02-009	AXLE MOUNT TUBE	2
1-2-2	248-01-02-008	INNER FRAME LEG	2
1-2-3	248-01-02-011	INNER FRAME PIVOT BRKT	2
1-2-4	248-01-02-010	GUSSET	2
1-2-5	248-01-02-012	GABLE BRKT	1
1-3	248-01-03-000	AXLE ASSY	1
1-3-1	248-01-03-023	AXLE TUBE	1
1-3-2	250-64-27-000	SPINDLE ASSY	2
1-3-2-1	250-00-00-301	SPINDLE	2
1-3-2-2	250-64-27-149	PLUG WASHER	4
2	248-08-00-000	LOWER INNER CLAMP ASSY	1
2-1	248-08-01-000	LOWER OUTER CLAMP ASSY	1
2-1-1	248-08-01-025	10" LOWER CLAMP PC	1
2-1-2	248-04-01-019	UPPER CLAMP BOLT PLATE	2
2-2	248-03-00-017	LOWER CLAMP PIVOT BRACKET	2
3	248-09-00-000	UPPER INNER CLAMP ASSY	1
3-1	248-09-01-000	UPPER OUTER CLAMP ASSY	1
3-1-1	248-09-01-026	UPPER CLAMP HALF TUBE-10"	1
3-1-2	248-04-01-019	UPPER CLAMP BOLT PLATE	2
3-2	248-03-00-017	LOWER CLAMP PIVOT BRACKET	2
4	248-11-00-000	10" DISCHARGE PIPE ASSY	1
4-1	248-11-00-030	10" ALUMINUM DISCH PIPE	1
4-2	R02097	3" X 4" LONG TOE ALUM NIPPLE	1
4-3	R02504	10" ALUM BANDLOC RING	1
4-4	R07783	3/8" HEX NUT	1
4-5	R02778	3" A CAMLOC ADAPTOR	1
4-6	R02784	3" F CAMLOC CAP	1
4-7	248-05-00-036	CHAIN LUG	1
4-8	286-13-00-000	10" CLAMP AND CHAIN	1
4-8-1	R02500	10" BANDLOC CLAMP	1
4-8-2	250-97-00-297	CLAMP CHAIN	1
4-9	R07619	3/8 X 1" HEX BOLT	1
4-10	R07823	3/8" FLAT WASHER	1
4-11	R07803	3/8" LOCK WASHER	1
4-12	R09502	"HUSKY" DECAL	1
5	250-60-30-000	H-411 HUB COMPLETE	2
6	250-65-00-000	TIRE AND WHEEL ASSY 5.9 X 15	2

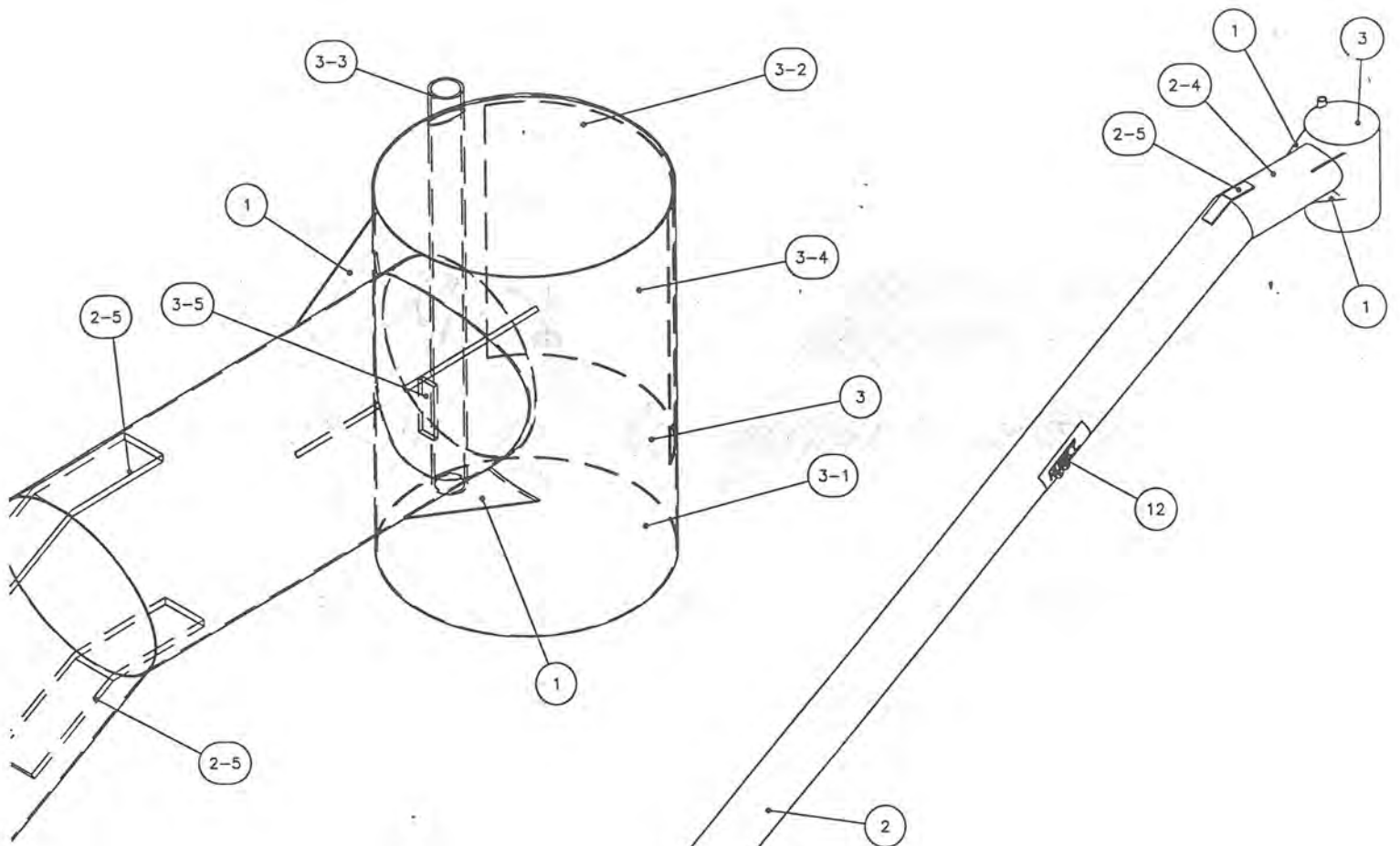
Item	Name	Description	Qty
7	248-10-00-000	10" ELBOW ASSY	1
7-1	248-10-00-027	ELBOW PCS	1
7-2	248-10-00-028	REDUCER RING	1
7-3	248-10-00-029	REDUCING TUBE	1
7-4	244-12-03-341	CONE HANDLE	1
7-5	244-08-00-307	CLAMP RING	1
8	248-02-00-000	TONGUE ASSY	1
8-1	248-02-00-015	TONGUE TUBE	1
8-2	248-02-00-016	TONGUE PLATE	2
8-3	248-02-00-022	SAFETY CHAIN	2
8-4	R08091	1/4" CLEVIS GRAB HOOK	2
9	248-15-00-000	BELL AND EXTENSION PIPE ASSY	1
9-1	248-15-00-035	10" EXTERNSION PIPE	1
9-2	R02847	10" FEMALE ALUMINUM COUPLER	1
10	R07652	5/8 X 5" HEX BOLT	2
11	R07806	5/8" LOCK WASHER	2
12	R07786	5/8" HEX NUT	2
13	R07784	7/16" NYLOC HEX NUT	12
14	R07804	7/16" LOCK WASHER	12
15	R07671	7/16 X 1 1/4" HEX BOLT	12
16	206-03-00-000	TONGUE PIN ASSY	1
16-1	206-03-00-019	TONGUE PIN	1
16-2	R07925	1/4 X 1 1/2" PLATED RING	1
17	R07948	5/32" HAIR PIN	1
18	248-00-00-031	10" PVC HOSE	1
19	R02492	10" SUPER CLAMP	2
20	R02501	10" RUBBER GASKET	1
21	R10350	1 TON WORM GEAR WINCH	1
22	248-00-00-013	LIFT CABLE	1
23	R08077	3/16" CABLE CLAMP	2
24	R07619	3/8 X 1" HEX BOLT	3
25	R07803	3/8" LOCK WASHER	3
26	R07783	3/8" HEX NUT	3
27	R08002	5/32 X 1 1/2" COTTER PIN	2
28	R20142	3/4-16UNF SLOTTED HEX NUT	2

# TIRE, WHEEL AND HUB

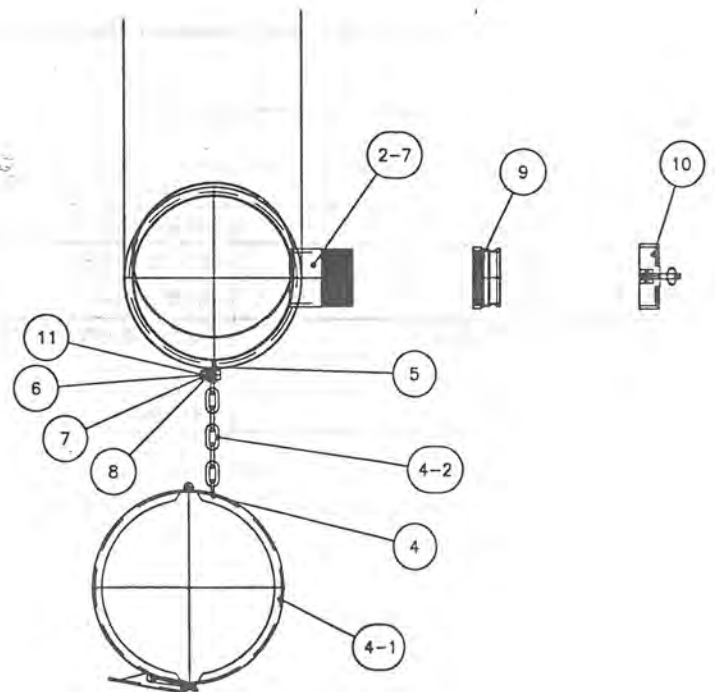
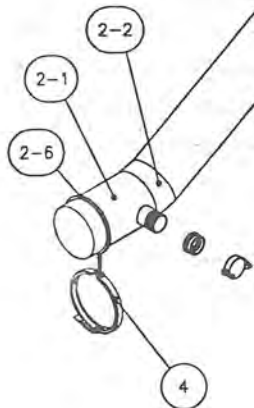


## TIRE, WHEEL AND HUB

Item	Name	Description	Qty
1	250-65-00-000	TIRE AND WHEEL ASSY-5.90 X 15	1
1-1	R20016	5.90 X 15 RIB IMPLEMENT TIRE	1
1-2	R20057	4.5 X 15 WHEEL-4 BOLT	1
1-3	R20020	VALVE STEM	1
2	250-60-30-000	H-411 HUB COMPLETE	1
2-1	R20139	H-411 HUB W/CUPS	1
2-1-1	R20160	H-411 HUB	1
2-1-2	R20129	INNER CUP-LM67010	1
2-1-3	R20130	OUTER CUP-LM11910	1



10" ANTI FOAM DISCHARGE KIT  
248-16-00-000



## 248-16-00-000 10" ANTI FOAM DISCHARGE KIT

Item	Name	Description	Qty
1	248-16-00-049	GUSSET	4
2	248-16-01-000	ALUMINUM DISCHARGE PIPE ASSY	1
2-1	248-16-01-044	10" DISCHARGE PIPE BASE	1
2-2	248-16-01-045	10" DISCHARGE PIPE ELBOW PC	1
2-3	248-16-01-046	10" DISCHARGE PIPE	1
2-4	248-16-01-047	10" DISCHARGE PIPE TOP PC	1
2-5	248-16-01-048	REINFORCING BAR	2
2-6	R02504	10" ALUMINUM BANDLOCK RING	1
2-7	R02097	3" X 4" LONG TOE ALUMINUM NIPPLE	1
3	248-16-02-000	ANTI FOAM CAN ASSY	1
3-1	248-16-02-039	ANTI FOAM CAN	1
3-2	248-16-02-040	DOME	1
3-3	248-16-02-041	VENT PIPE	1
3-4	248-16-02-042	REINFORCING PLATE	1
3-5	248-16-02-043	SPACER BAR	1
4	286-13-00-000	10" CLAMP AND CHAIN ASSY	1
4-1	R02500	10" BANDLOC CLAMP	1
4-2	250-97-00-297	CLAMP CHAIN	1
5	248-05-00-036	CHAIN LUG	1
6	R07619	3/8 X 1" HEX BOLT	1
7	R07823	3/8" FLAT WASHER	1
8	R07803	3/8" LOCK WASHER	1
9	R02778	3" A CAMLOC ADAPTOR	1
10	R02784	3" F CAMLOC CAP	1
11	R07783	3/8" HEX NUT	1
12	R09502	HUSKY DECAL	1

