

Office Copy

10/28/2008

Date Purchased _____ Machine Serial No. _____

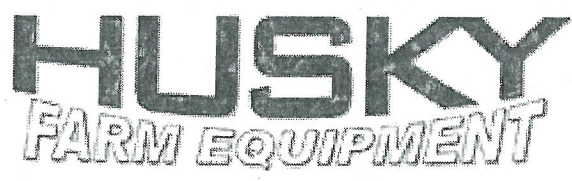
Dec 2/08 Bmed
April 27/09 6"

Options _____

The key number system in this parts book is arranged as follows:

- ⊙ - Key numbers with two circles denotes main assemblies.
- - Key numbers with one circle are individual parts

Please order parts by number



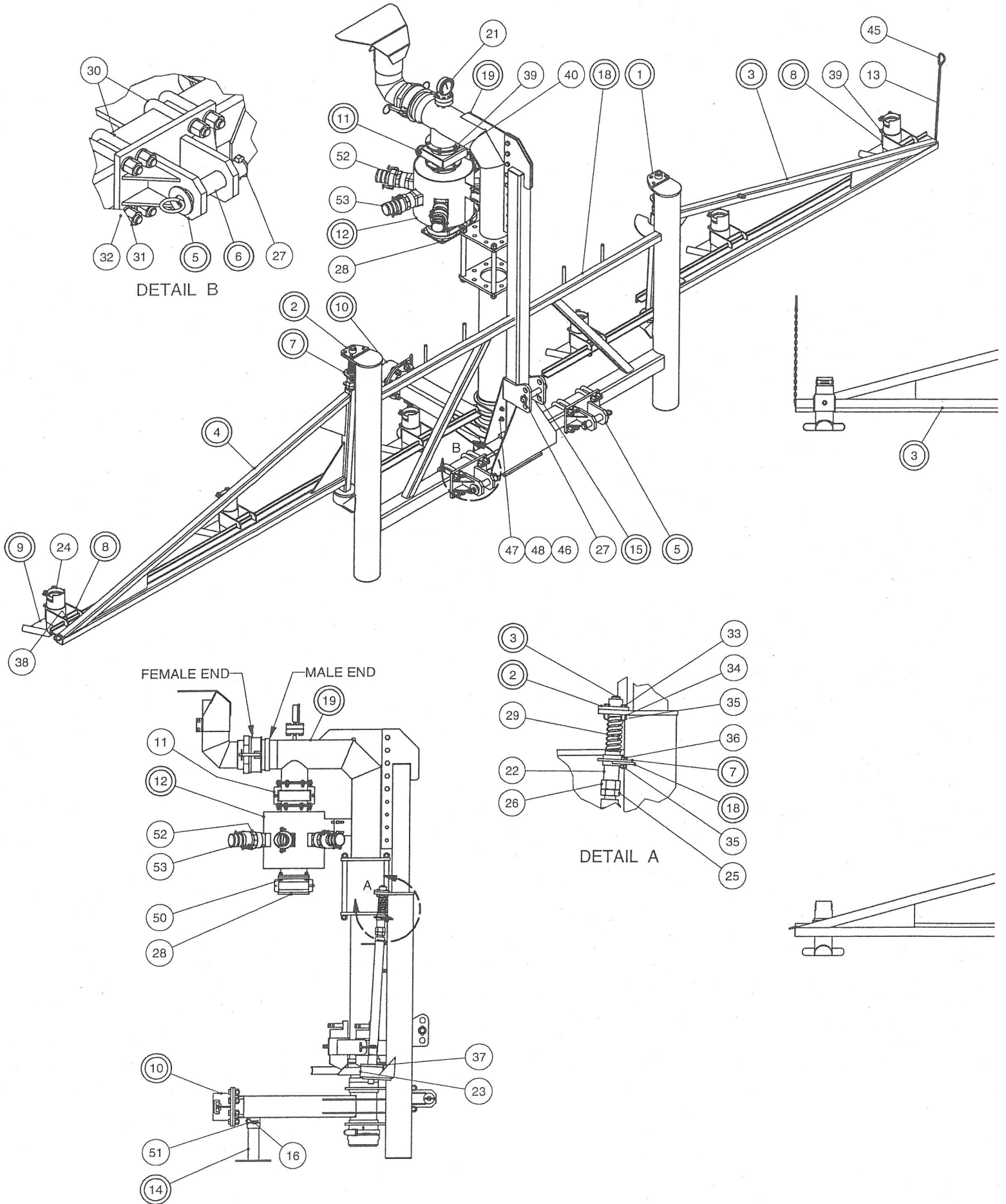
3PT DRAG BOOM

215-00-00-000

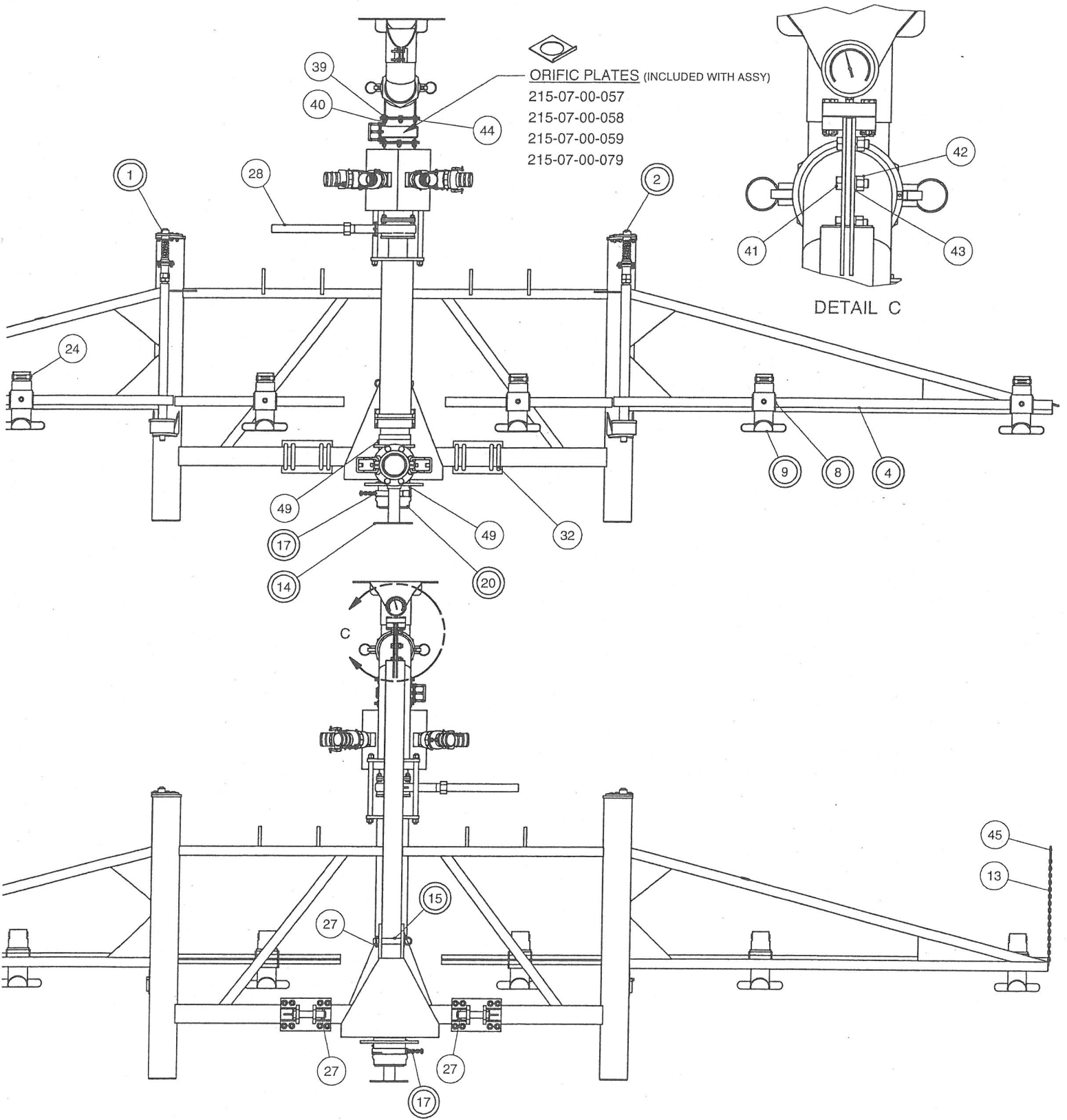
OPERATING INSTRUCTIONS:

1. Do not operate machine until you fully understand the safe operating practices.
2. Stop tractor before attempting to service machine in any way.
3. Use only a tractor of adequate weight and power to operate the Husky Drag Boom.
4. Always examine the field for sharp objects/stones before operating the Husky Drag Boom.
5. While spreading the manure always make tight turns with tractor. If too wide a turn is made, hose may flip over and coil up.
6. When spreading manure with drag hose always have an operator at high pressure pump to shut down if hose breaks, or have a radio controlled kill switch on pump tractor to avoid spills.
7. If spill does occur and there is a danger that water ways will be contaminated, contact authorities **Immediately**, they will help direct the clean up. In Canada call 1-800-268-6060
8. **EXTREME DANGER** – Never enter a dirty manure spreader or storage tank – one breath of hydrogen sulphide gas is enough to kill. Have a ladder in your pit, so that if by accident you should fall, you have a means of getting out.

3PT DRAG LINE COMPLETE



3PT DRAG LINE COMPLETE

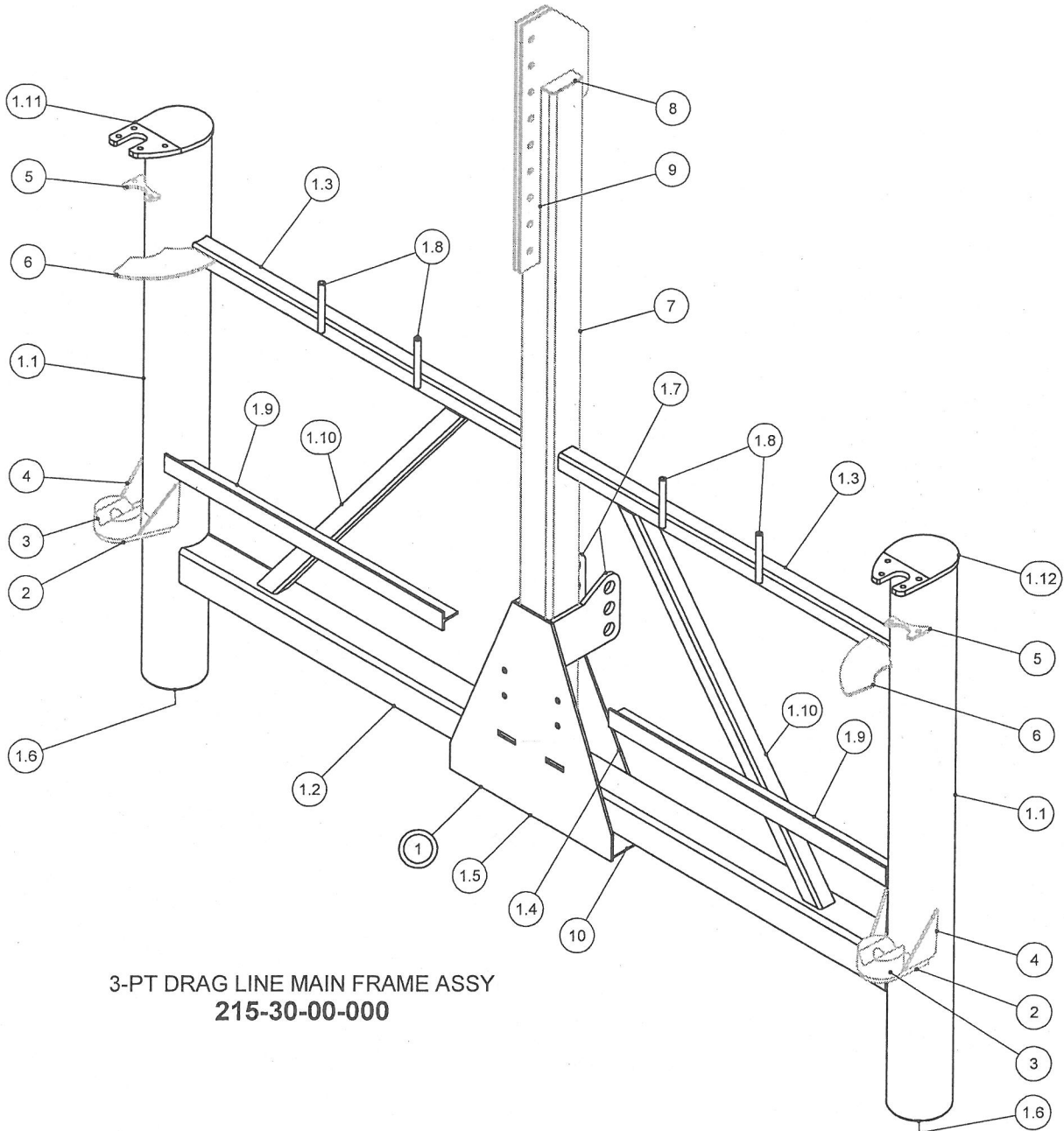


HOSE NUMBER	DESCRIPTION	LENGTH	QTY
215-00-00-149	SHORT HOSE - 3" HD SUCTION HOSE <small>R02380</small>	1250mm	2
215-00-00-150	MEDIUM HOSE - 3" HD SUCTION HOSE <small>R02380</small>	2600mm	2
215-00-00-151	LONG HOSE - 3" HD SUCTION HOSE <small>R02380</small>	4100mm	2
242-35-00-000	HYD HOSE ASSY	N/A	1

3PT DRAG LINE COMPLETE

PARTS LIST			
ITEM	PART NUMBER	DESCRIPTION	QTY
1	215-21-00-000	LH - HINGE PLATE ASSY w/ BUSHING	1
2	215-25-00-000	RH - HINGE PLATE ASSY w/ BUSHING	1
3	215-04-00-000	LH WING ASSY	1
4	215-05-00-000	RH WING ASSY	1
5	215-33-00-000	LOWER 3PT HITCH PL ASSY-CAT 3	2
6	480-13-00-000	HITCH PIN ASSY	2
7	215-23-00-000	BOOM SUPPORT BRKT ASSY	2
8	215-27-00-000	4" SPLASH PLATE HOLDER ASSY	6
9	215-26-00-000	4" SPLASH PLATE ASSY	6
10	215-02-00-000	INLET SWIVEL BEAM ASSY W/COUPLER	1
11	215-07-00-000	ORIFIC BOX KIT	1
12	215-06-00-000	6 OUTLET CANNISTER ASSY - 3"	1
13	215-00-00-147	LOCK CHAIN	1
14	215-15-00-000	FOOT ASSY	1
15	215-17-00-000	UPPER HITCH PIN ASSY	1
16	215-28-00-000	FOOT PIN ASSY	1
17	250-97-00-000	CLAMP & CHAIN ASSY	1
18	215-30-00-000	MAIN FRAME ASSY @ 102"	1
19	215-29-00-000	DISCHARGE PIPE ASSY COMPL (FLO METER)	1
20	215-11-00-000	CAP ASSY	1
21	530-04-00-000	DIAPHRAM PRESSURE SEAL KIT	1
22	215-00-00-134	SPRING TIGHTENING TUBE	2
23	215-00-00-146	DUST COVER	2
24	R02954	4" BAUER CLAMP	6
25	R08370	1 1/4" UNF - 12 JAM NUT	2
26	R08369	1 1/4" UNF - 12 HEX NUT	2
27	R08040	2 - 18 LYNCH PIN	3
28	R10427	6" HYD VALVE-FLANGED	1
29	R08034	HP 88 1 x 4 SPRING	2
30	R08371	3/4 - 16 UNF U-BOLT	8
31	R07820	3/4" FED. HIGH HEX NUT	16
32	R07807	3/4" LOCK WASHER	16
33	R07620	3/8 x 1 1/2 HEX BOLT	8
34	R07803	3/8 LOCK WASHER	12
35	R07783	3/8 HEX NUT	12
36	R07619	3/8 x 1 HEX BOLT	4
37	R02240	H-5 80 GEAR CLAMP 5"	2
38	R07628	7/16 x 1 HEX BOLT	6
39	R07671	7/16 x 1 1/4 HEX BOLT	18
40	R07784	7/16 HEX NUT	18
41	R07647	5/8 x 2" HEX BOLT	5
42	R07786	5/8 HEX NUT	5
43	R07806	5/8 LOCK WASHER	5
44	R07804	7/16 LOCK WASHER	12
45	R08044	5/16" SNAP LINK	1
46	R07777	1/2 x 1 1/2 UNC CARRIAGE BOLT	4
47	R07805	1/2 LOCK WASHER	8
48	R07785	1/2 HEX NUT	8
49	R08186	1/8" NPT GREASE FTG	2
50	R07638	1/2 x 1 1/2 HEX BOLT	4
51	R07948	5/32 HAIR PIN	1
52	R02778	3" CAMLOCK M->F NPT	6
53	R02780	3" CAMLOCK FEMALE ADAPTER	6
54	R02121	1/4" CLOSE NIPPLE	1

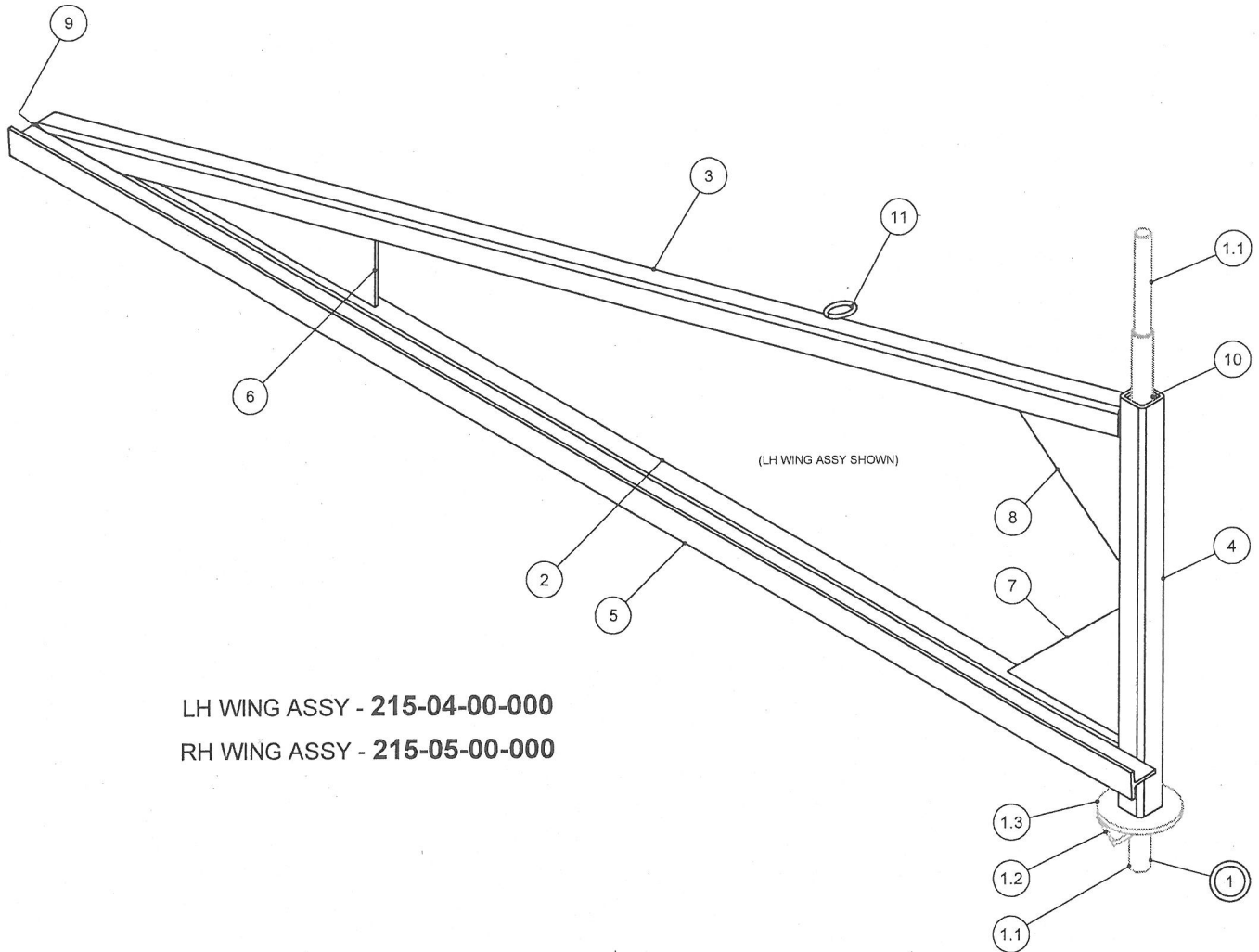
DRAG LINE MAIN FRAME ASSY



3-PT DRAG LINE MAIN FRAME ASSY
215-30-00-000

PARTS LIST				PARTS LIST			
ITEM	PART NUMBER	DESCRIPTION	QTY	ITEM	PART NUMBER	DESCRIPTION	QTY
1	215-01-01-000	MAIN FRAME SUB ASSY @ 102"	1	1.11	215-01-01-129	TOP LH HINGE BOLT PLATE	1
1.1	215-01-00-001	END POST	2	1.12	215-01-01-130	TOP RH HINGE BOLT PLATE	1
1.2	215-01-00-002	CROSS-TUBE	1	2	215-01-00-131	CAM BACK PLATE	2
1.3	215-01-00-003	UPPER CROSS TUBE	2	3	215-01-00-132	CAM - FEMALE	2
1.4	215-01-00-006	FRONT GUSSET	1	4	215-01-00-133	BACK PLATE SUPPORT GUSSET	4
1.5	215-01-00-007	REAR GUSSET	1	5	215-01-00-137	SUPPORT PLATE	2
1.6	215-01-00-010	POST CAP	2	6	215-01-00-145	STOP BRKT	2
1.7	215-01-00-016	TOP LINK PLATE	2	7	215-30-00-161	VERTICAL TUBE	1
1.8	215-01-00-017	HOOKS	4	8	215-01-00-012	CAP	1
1.9	215-01-00-019	CENTER "T" BAR	2	9	215-30-00-165	DISCHARGE PIPE ATTMT BRKT	2
1.10	215-01-00-005	CROSS BRACE	2	10	215-30-00-166	FILLER PLATE	1

DRAG BOOM WING ASSY

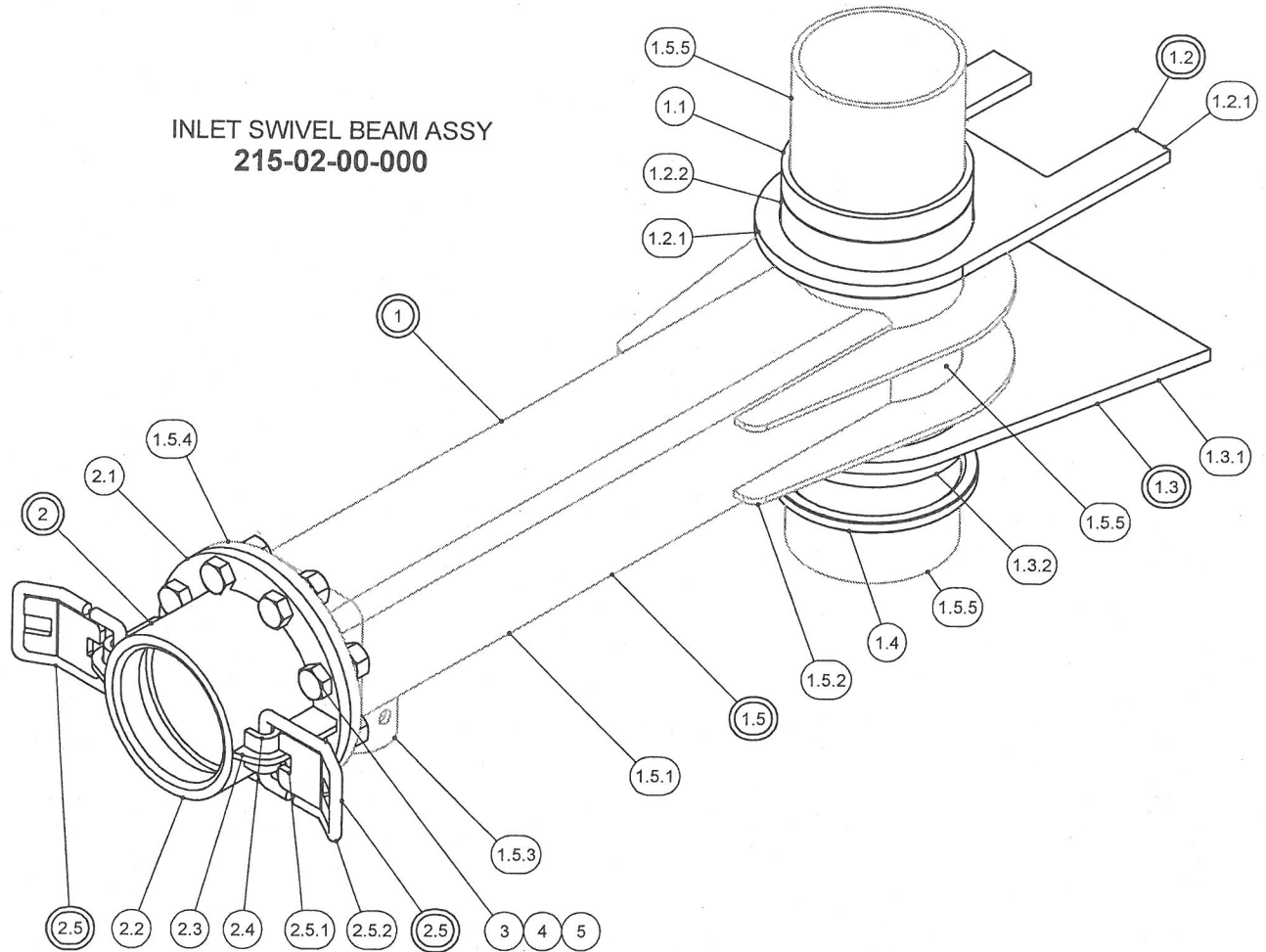


LH WING ASSY - **215-04-00-000**

RH WING ASSY - **215-05-00-000**

PARTS LIST			
ITEM	PART NUMBER	DESCRIPTION	QTY
1	215-04-01-000	SWIVEL PIN ASSY	1
1.1	215-04-01-044	MAIN PIN	1
1.2	215-04-01-126	MALE CAM	1
1.3	215-04-01-125	ANGLE BACK PLATE	1
2	215-04-00-037	BOOM BOTTOM BEAM	1
3	215-04-00-038	BOOM TOP BEAM	1
4	215-04-00-039	BOOM PIVOT POST	1
5	215-04-00-040	BOOM "T" BAR	1
6	215-04-00-041	OUTER GUSSET	1
7	215-04-00-042	INNER LOWER GUSSET	1
8	215-04-00-043	INNER UPPER GUSSET	1
9	215-04-00-047	END CAP	1
10	215-04-00-124	SHAFT CENTERING PLATE	2
11	250-00-00-354	1/4 X 1 1/2" RING	1

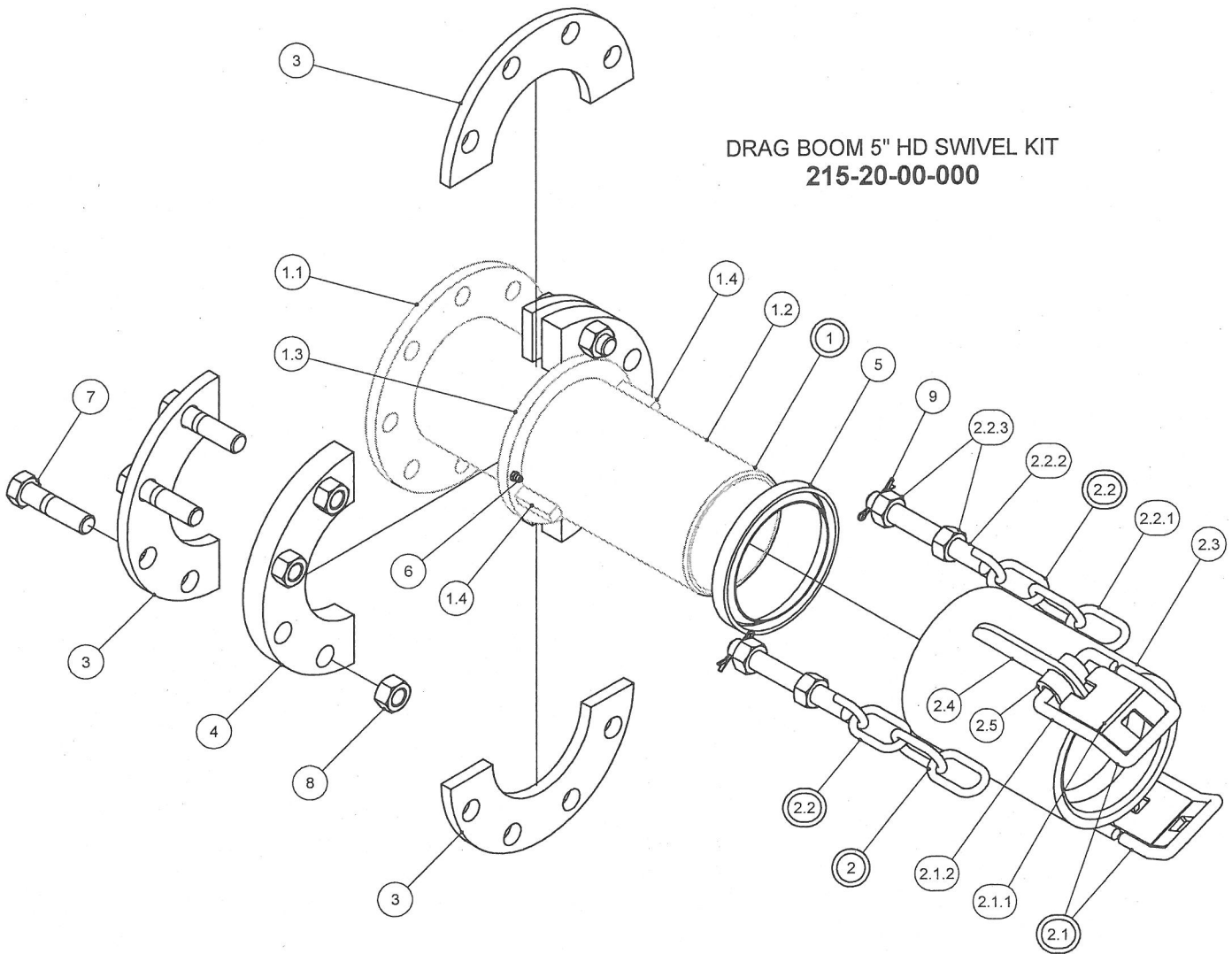
INLET SWIVEL BEAM ASSY



PARTS LIST				PARTS LIST			
ITEM	PART NUMBER	DESCRIPTION	QTY	ITEM	PART NUMBER	DESCRIPTION	QTY
1	215-02-01-000	INLET SWIVEL BEAM ASSY	1	1.5.4	215-20-03-110	FLANGE	1
1.1	215-02-02-026	SWIVEL TUBE RING	1	1.5.5	215-02-02-025	SWIVEL TUBE	1
1.2	215-02-03-000	SLEEVE ASSY	1	2	215-02-05-000	FLANGED COUPLER ASSY	1
1.2.1	215-02-03-027	UPPER MOUNT BRKT	1	2.1	215-02-05-121	COUPLER FLANGE	1
1.2.2	215-02-03-028	STATIONARY SLEEVE	1	2.2	215-02-01-022	5" HOSE COUPLER	1
1.3	215-02-04-000	SLEEVE ASSY - LOWER	1	2.3	215-02-01-023	COUPLER SLEEVE HOLDER	2
1.3.1	215-02-04-029	LOWER MOUNT BRKT	1	2.4	200-53-00-115	KROY COUPLER SLEEVE	2
1.3.2	215-02-03-028	STATIONARY SLEEVE	1	2.5	215-02-06-000	"H" BRKT ASSY	2
1.4	250-95-00-295	CLAMP RING	1	2.5.1	215-02-01-024	"H" BRACKET	1
1.5	215-02-07-000	INLET ASSY	1	2.5.2	200-53-00-116	BANDLOCK COUPLER RING	1
1.5.1	215-02-01-020	HOSE BEAM	1	3	R07654	3/4 x 2" HEX BOLT	8
1.5.2	215-02-01-021	HOSE BEAM BRKTS	2	4	R07807	3/4" LOCK WASHER	8
1.5.3	215-02-01-080	FOOT STAND	1	5	R07787	3/4 - 10 UNC HEX NUT	8

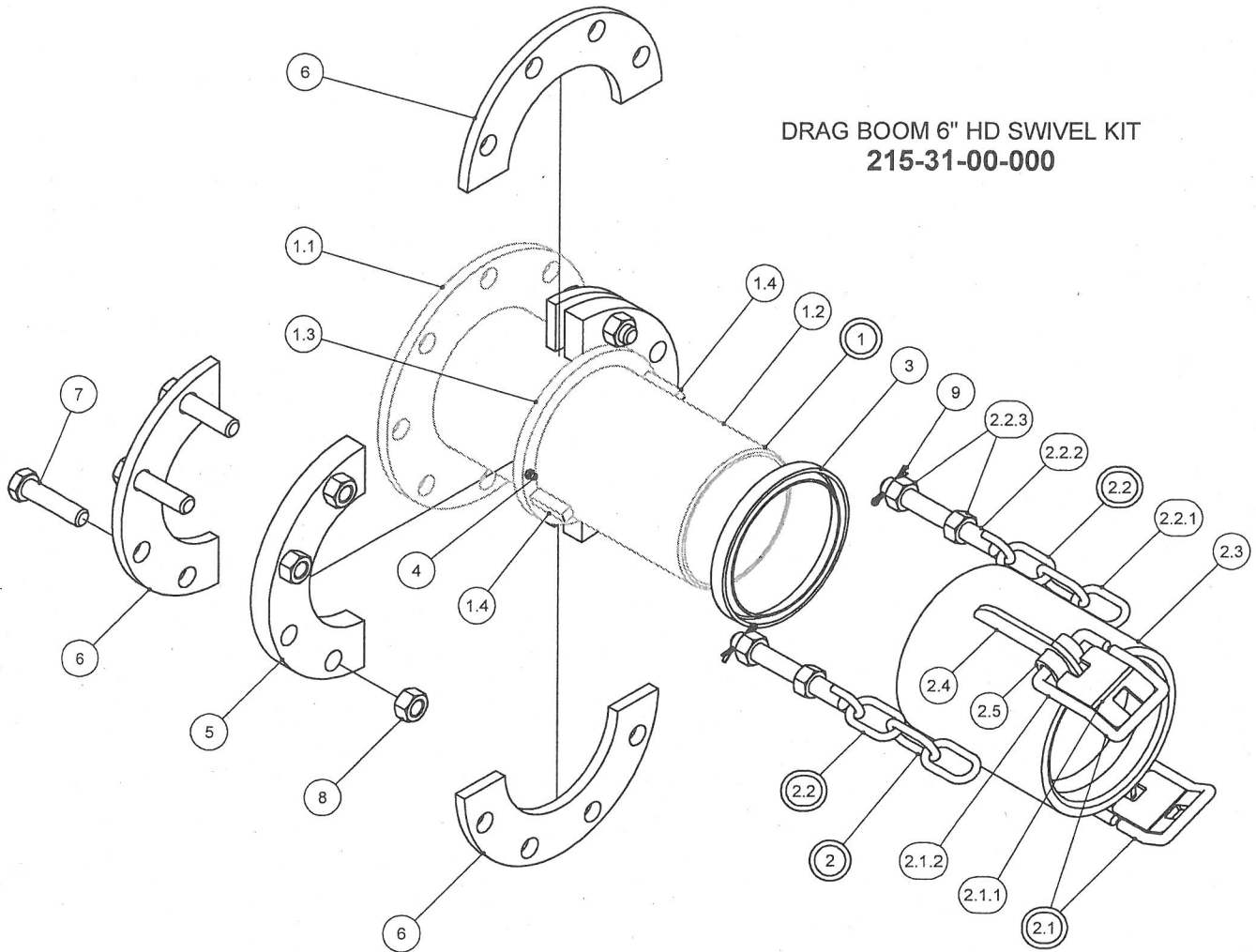
DRAG BOOM 5in SWIVEL KIT

DRAG BOOM 5" HD SWIVEL KIT 215-20-00-000



PARTS LIST				PARTS LIST			
ITEM	PART NUMBER	DESCRIPTION	QTY	ITEM	PART NUMBER	DESCRIPTION	QTY
1	215-20-03-000	FLANGED PIPE ASSY	1	2.2.3	R07881	3/4 - 2 WAY LOCK NUT	2
1.1	215-20-03-110	FLANGE	1	2.3	215-20-01-108	DOUBLE HOSE COUPLER - 5"	1
1.2	215-20-03-111	STATIONARY SLEEVE	1	2.4	215-20-01-109	COULPER SLEEVE HOLDER	2
1.3	215-20-03-112	RING	1	2.5	200-53-00-115	KROY COUPLER SLEEVE	2
1.4	438-01-03-003	SPACER	2	3	215-20-00-114	HALF RING	4
2	215-20-01-000	EXTENDED COUPLER ASSY - 5"	1	4	215-20-00-113	PLASTIC HALF RING	2
2.1	215-02-06-000	"H" BRKT ASSY	2	5	R02355	5" RW GASKET	2
2.1.1	215-02-01-024	"H" BRACKET	1	6	R08183	1/4" - 28 STRAIGHT GREASE FITTING	2
2.1.2	200-53-00-116	BANDLOCK COUPLER RING	1	7	R07656	3/4 x 3" HEX BOLT	6
2.2	215-20-02-000	CHAIN ASSY	2	8	R07881	3/4 - 2 WAY LOCK NUT	6
2.2.1	215-20-02-115	CHAIN	1	9	R08207	5/32 x 1 1/2 S.S. COTTER PIN	2
2.2.2	215-20-02-116	REDDI THREAD	1				

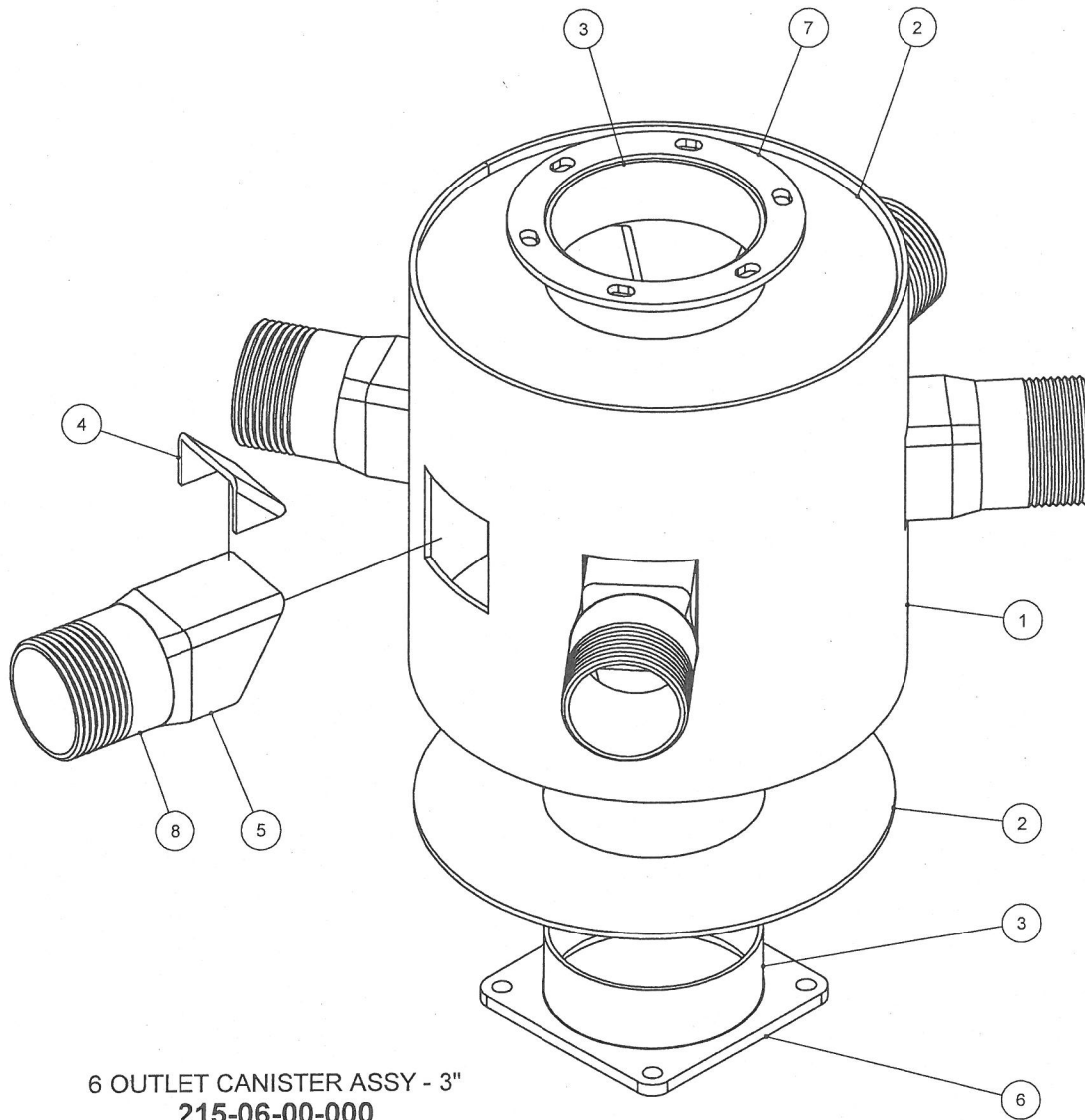
DRAG BOOM 6in SWIVEL KIT



**DRAG BOOM 6" HD SWIVEL KIT
215-31-00-000**

PARTS LIST				PARTS LIST			
ITEM	PART NUMBER	DESCRIPTION	QTY	ITEM	PART NUMBER	DESCRIPTION	QTY
1	215-31-01-000	6" FLANGED PIPE ASSY	1	2.2.3	R07881	3/4 - 2 WAY LOCK NUT	2
1.1	215-31-01-170	6" STATIONARY FLANGE	1	2.3	215-31-02-172	6" DOUBLE HOSE COUPLER	1
1.2	215-31-01-169	6" STATIONARY SLEEVE	1	2.4	215-20-01-109	COULPER SLEEVE HOLDER	2
1.3	215-31-01-171	RING	1	2.5	200-53-00-115	KROY COUPLER SLEEVE	2
1.4	438-01-03-003	SPACER	2	3	R02366	6" RUBBER GASKET	2
2	215-31-02-000	6" EXTENDED COUPLER ASSY	1	4	R08183	1/4" - 28 STRAIGHT GREASE FITTING	2
2.1	215-02-06-000	"H" BRKT ASSY	2	5	215-31-00-173	1" HALF PLASTIC RING	2
2.1.1	215-02-01-024	"H" BRACKET	1	6	215-31-00-174	1/2" HALF STEEL RING	4
2.1.2	200-53-00-116	BANDLOCK COUPLER RING	1	7	R07656	3/4 x 3 UNC HEX BOLT	6
2.2	215-20-02-000	CHAIN ASSY	2	8	R07881	3/4 - 2 WAY LOCK NUT	6
2.2.1	215-20-02-115	CHAIN	1	9	R08207	5/32 x 1 1/2 S.S. COTTER PIN	2
2.2.2	215-20-02-116	REDDI THREAD	1				

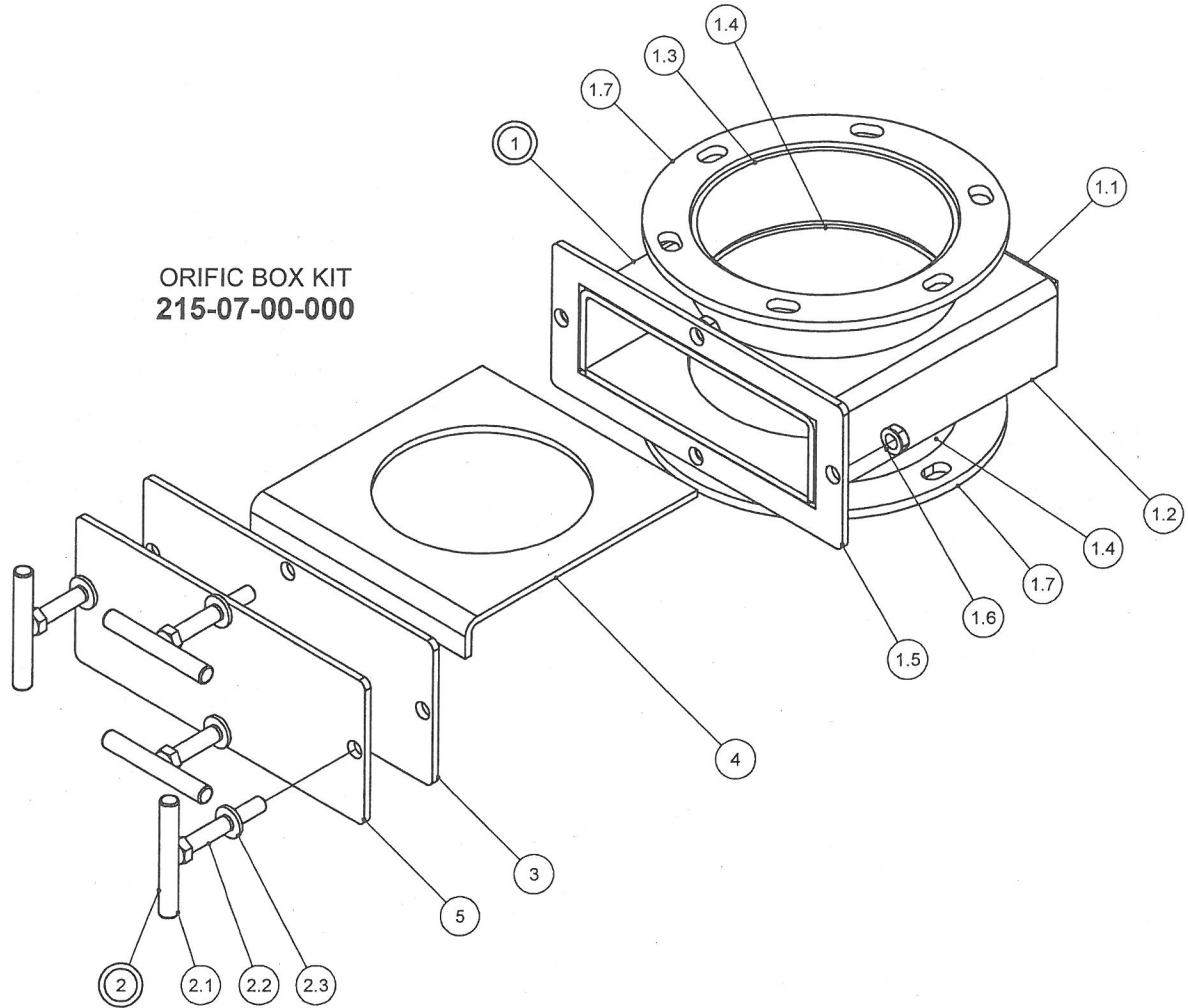
DRAG BOOM CANISTER ASSY



6 OUTLET CANISTER ASSY - 3"
215-06-00-000

PARTS LIST			
ITEM	PART NUMBER	DESCRIPTION	QTY
1	215-06-00-048	6 OUTLET MANIFOLD	1
2	215-06-00-049	CANNISTER CAP	2
3	215-06-00-050	EXTENSION TUBE	2
4	308-62-01-178	DEFLECTOR PLATE	6
5	215-06-00-117	FLARED DEFLECTOR TUBE	6
6	368-01-72-351	6" VALVE FLANGE	1
7	364-19-00-087	DISCHARGE PIPE FLANGE	1
8	R02099	3" TOE PIPE NIPPLE	6

ORIFIC BOX KIT

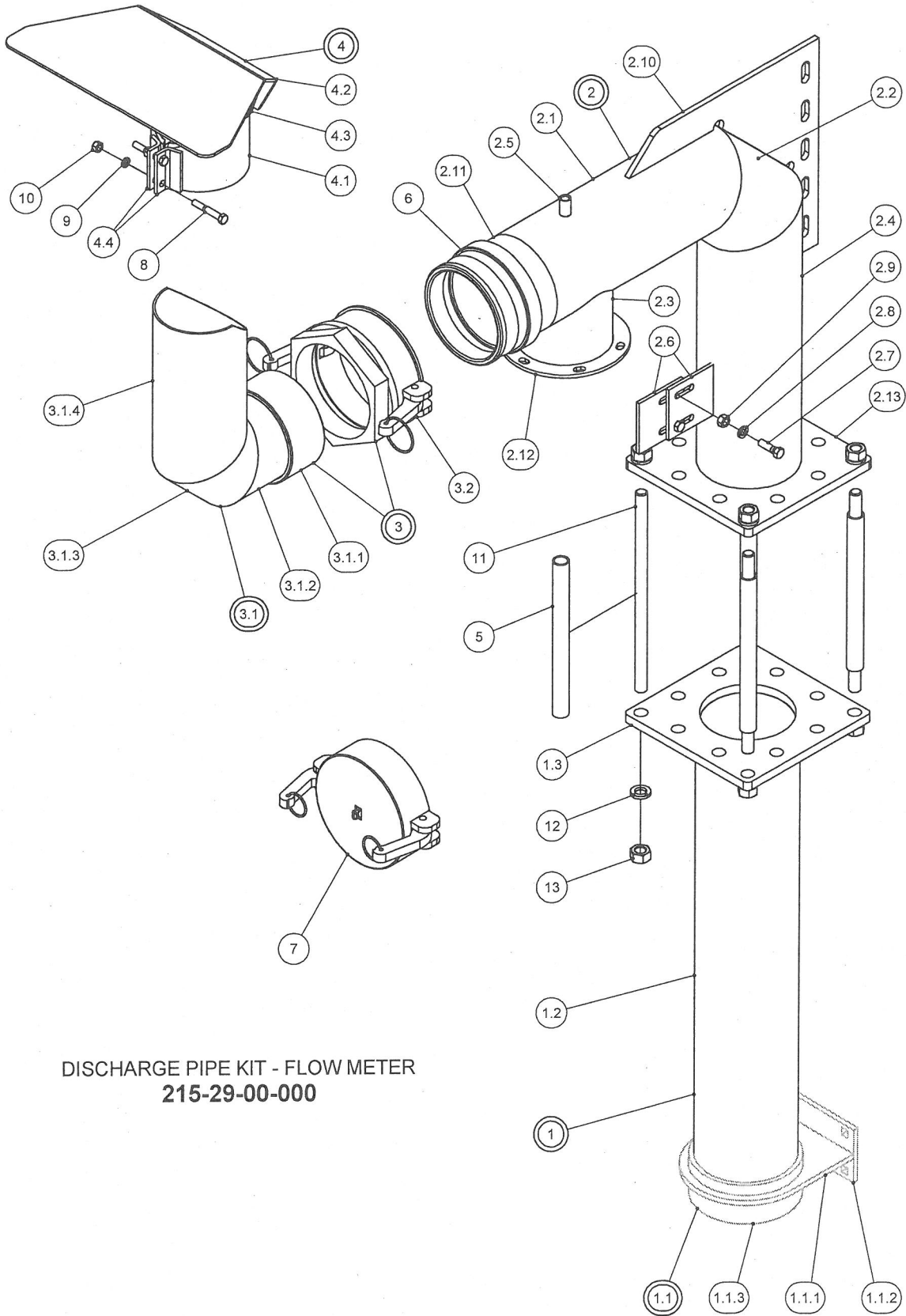


**ORIFIC BOX KIT
215-07-00-000**

PARTS LIST

ITEM	PART NUMBER	DESCRIPTION	QTY
1	215-07-01-000	ORIFIC BOX ASSY	1
1.1	215-07-01-052	BOTTOM BODY	1
1.2	215-07-01-051	TOP BODY	1
1.3	215-06-00-050	EXTENSION TUBE	1
1.4	215-07-01-056	LOWER EXTENSION TUBE	1
1.5	215-07-01-053	BODY FLANGE	1
1.6	R07794	3/8 FLANGE NUT	4
1.7	364-19-00-087	DISCHARGE PIPE FLANGE	2
2	215-07-02-000	"T" HANDLE ASSY	4
2.1	215-07-02-060	"T" HANDLE	1
2.2	R07622	3/8 x 2 1/2 HEX BOLT	1
2.3	R07823	3/8 FLAT WASHER	1
3	215-07-00-054	RUBBER SEAL	1
4	215-07-00-057	5" ORIFIC PLATE	1
	215-07-00-058	4 1/2" ORFICE PLATE	1
	215-07-00-059	4" ORFICE PLATE	1
	215-07-00-079	SOLID ORFICE PLATE	1
5	215-07-00-055	COVER PLATE	1

DRAG BOOM DISCHARGE PIPE KIT - FLOW METER

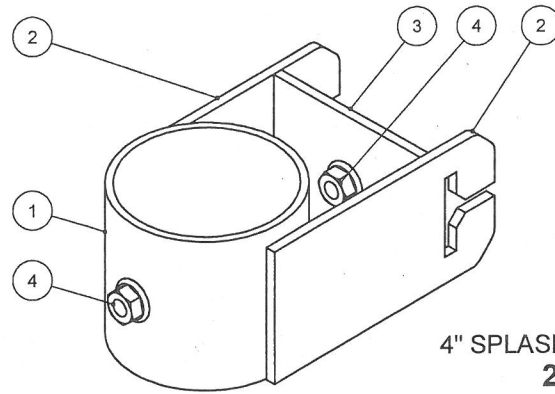


DISCHARGE PIPE KIT - FLOW METER
215-29-00-000

DRAG BOOM DISCHARGE PIPE KIT - FLOW METER

PARTS LIST			
ITEM	PART NUMBER	DESCRIPTION	QTY
1	215-29-01-000	LOWER DISCHARGE PIPE ASSY	1
1.1	215-03-01-000	GASKET SLEEVE ASSY	1
1.1.1	215-03-01-030	MOUNT PLATE	1
1.1.2	215-03-01-031	MOUNT PLATE	1
1.1.3	250-67-00-168	GASKET SLEEVE	1
1.2	215-29-01-154	LOWER DISCHARGE PIPE	1
1.3	215-00-00-164	6" FLO MONITOR FLANGE(ROTATED)	1
2	215-29-02-000	DISCHARGE PIPE ASSY	1
2.1	215-29-02-157	HORIZONTAL DISCHARGE PIPE	1
2.2	215-29-02-158	CORNER DISCHARGE PIPE	1
2.3	215-14-01-078	DISCHARGE DROP PC	1
2.4	215-29-02-156	VERTICAL DISCHARGE PIPE	1
2.5	R02057	1/4" FULL PIPE COUPLING	1
2.6	215-29-02-162	CAN REINFORCING PLATE	2
2.7	R07629	7/16 x 1 1/2 HEX BOLT	2
2.8	R07804	7/16 LOCK WASHER	2
2.9	R07784	7/16 HEX NUT	2
2.10	215-29-02-159	CONNECTOR BRKT	1
2.11	R02037	EXTENSION NIPPLE	1
2.12	364-19-00-087	DISCHARGE PIPE FLANGE	1
2.13	215-00-00-164	6" FLO MONITOR FLANGE(ROTATED)	1
3	372-08-00-000	COUPLER AND ELBOW KIT	1
3.1	372-08-05-000	ELBOW ASSY FOR CAMLOCK	1
3.1.1	372-08-05-043	HALF NIPPLE	1
3.1.2	368-60-49-357	ELBOW BASE PC	1
3.1.3	364-19-00-082	DISCHARGE PIPE CORNER PC	1
3.1.4	364-25-00-067	DISCHARGE PIPE END PC	1
3.2	R02801	6" CAMLOCK PART "D" COUPLER	1
4	364-68-00-000	SPLASH PLATE ASSY	1
4.1	364-68-00-215	CLAMPING TUBE	1
4.2	364-21-00-069	SPLASH PLATE	1
4.3	364-21-00-224	SPLASH PLATE WING	2
4.4	364-21-00-071	CLAMPING TUBE BRKT	2
5	215-29-00-155	SPACER PIPE	4
6	R02798	6" FEMALE CAMLOCK	1
7	R02804	6" FEMALE CAMLOCK CAP	1
8	R07622	3/8 x 2 1/2 HEX BOLT	2
9	R07803	3/8 LOCK WASHER	2
10	R07783	3/8 HEX NUT	2
11	215-29-00-160	CONNECTOR ROD	4
12	R07807	3/4" LOCK WASHER	8
13	R07787	3/4 - 10 UNC HEX NUT	8

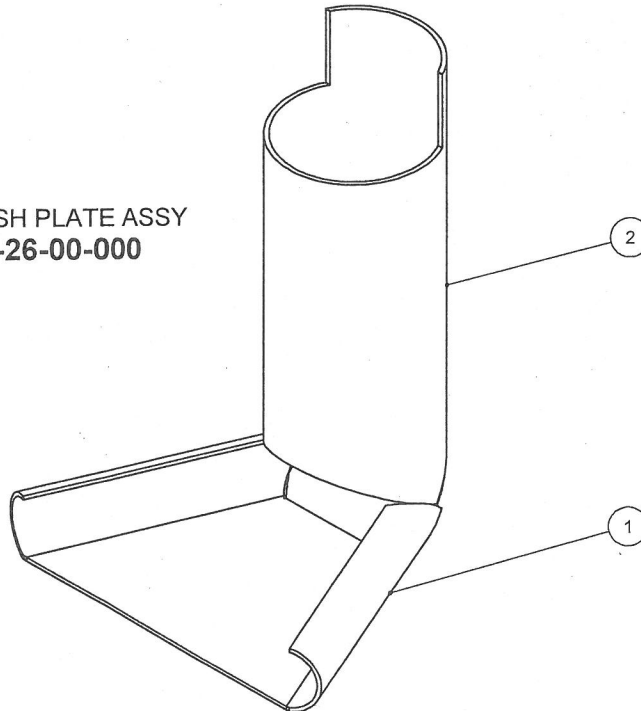
SPLASH PLATE & HOLDER



**4" SPLASH PLATE HOLDER ASSY
215-27-00-000**

PARTS LIST			
ITEM	PART NUMBER	DESCRIPTION	QTY
1	215-27-00-142	OUTER TUBE	1
2	215-27-00-144	CONNECTOR BRKT	2
3	215-27-00-143	CROSS PLATE	1
4	R07795	1/2" UNC FLANGE NUT	2

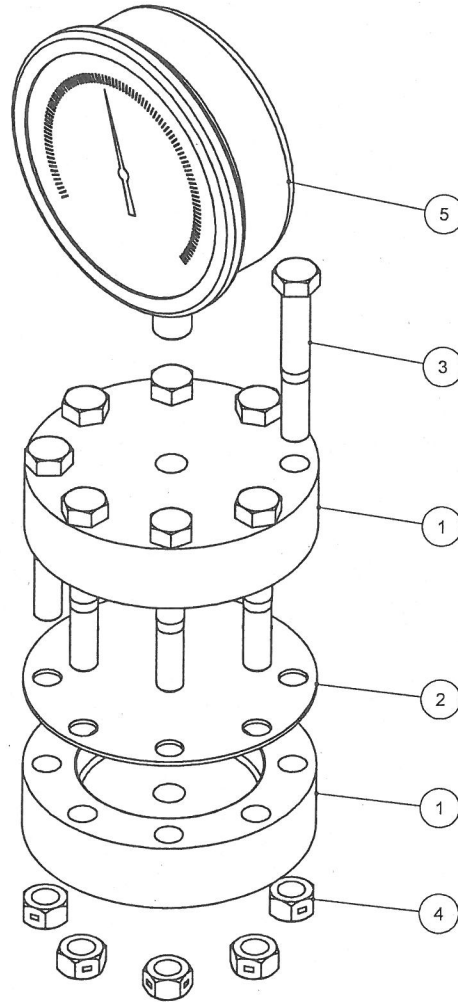
**4" SPLASH PLATE ASSY
215-26-00-000**



PARTS LIST			
ITEM	PART NUMBER	DESCRIPTION	QTY
1	215-26-00-140	SPLASH PLATE	1
2	215-26-00-141	4" SPLASH PLATE TUBE	1

DIAPHRAM PRESSURE SEAL KIT

DIAPHRAM PRESSURE SEAL KIT
530-04-00-000



PARTS LIST			
ITEM	PART NUMBER	DESCRIPTION	QTY
1	530-04-00-043	DIAPHRAM BLOCK	2
2	530-04-00-044	DIAPHRAM	1
3	R07622	3/8 x 2 1/2 HEX BOLT	8
4	R07886	3/8 - 2 WAY LOCK NUT	8
5	R09833	PRESSURE VACUUM GAUGE	1

