

July 13, 2000

HUSKY FARM EQUIPMENT LIMITED
SOFT HOSE REEL PARTS BOOK & OPERATING INSTRUCTIONS

Date Purchased _____ Machine Serial # _____

Size of Reel _____ Options _____

PLEASE NOTE:

The Key number system in this book is arranged to show replacement assemblies only.

OPERATING INSTRUCTIONS ARE SHOWN BELOW:

Hydraulic drive - make sure hoses are in good shape, clean ends before installing on tractor.

Stop tractor before attempting to service machine in any way.

Remove stabilizer arm on tongue before attempting to run cylinder to pivot tongue.

Always fasten reel to tractor and apply brakes while reeling in hose.

Always have man on tractor while hose is reeling in or out.

For free wheeling, tie hose to a stationary object and remove free wheeling pin, then drive slowly as the hose unreels.

Adjust spring loaded brake so the reel won't reel out uncontrollably.

Always check wheel bolts and axle bolts as well as tire pressure before operating.

Never try to reel up more than 660 feet of hose on one pull. Never try to pull a full hose, make sure hose has been emptied before pulling in.

Always back up to get a few wraps on hose on drum before pulling hose tight, otherwise it will pull end off hose.

Check fields for sharp stones or objects before dragging hose.

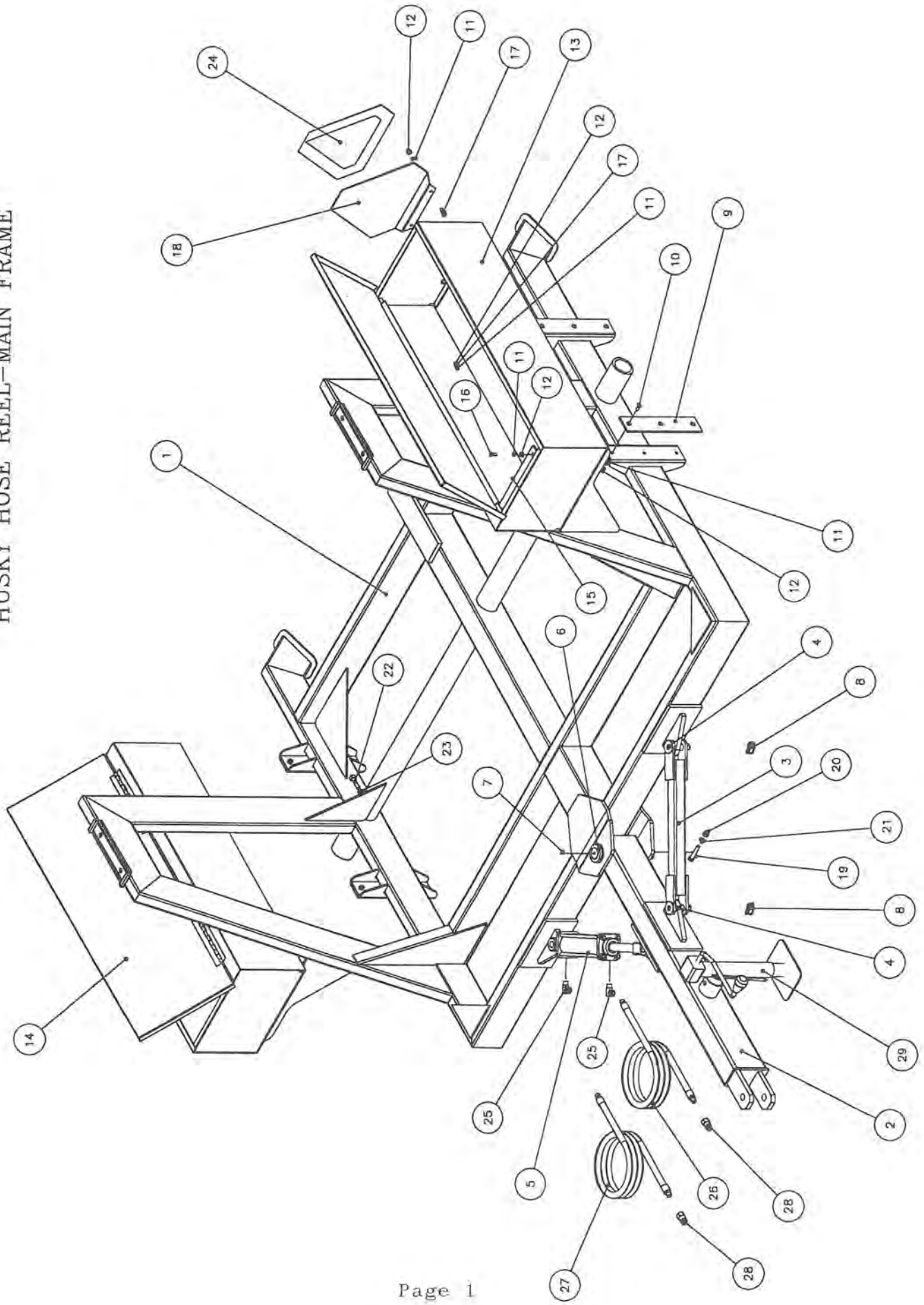
Always make tight turns when dragging hose while spreading. If too wide a turn is made, hose may flip over and wind up.

When spreading manure with drag hose always have an operator at high pressure pump to shut unit down if hose breaks, or have a radio controlled kill switch on pump tractor to avoid spills.

If spill does occur and there is a danger that water ways will be contaminated, contact authorities immediately, they will help direct the clean up. In Canada call 1-800-268-6060.

Read safety manual. Always beware of manure gas, never enter a manure tank. **"Gas can Kill"**

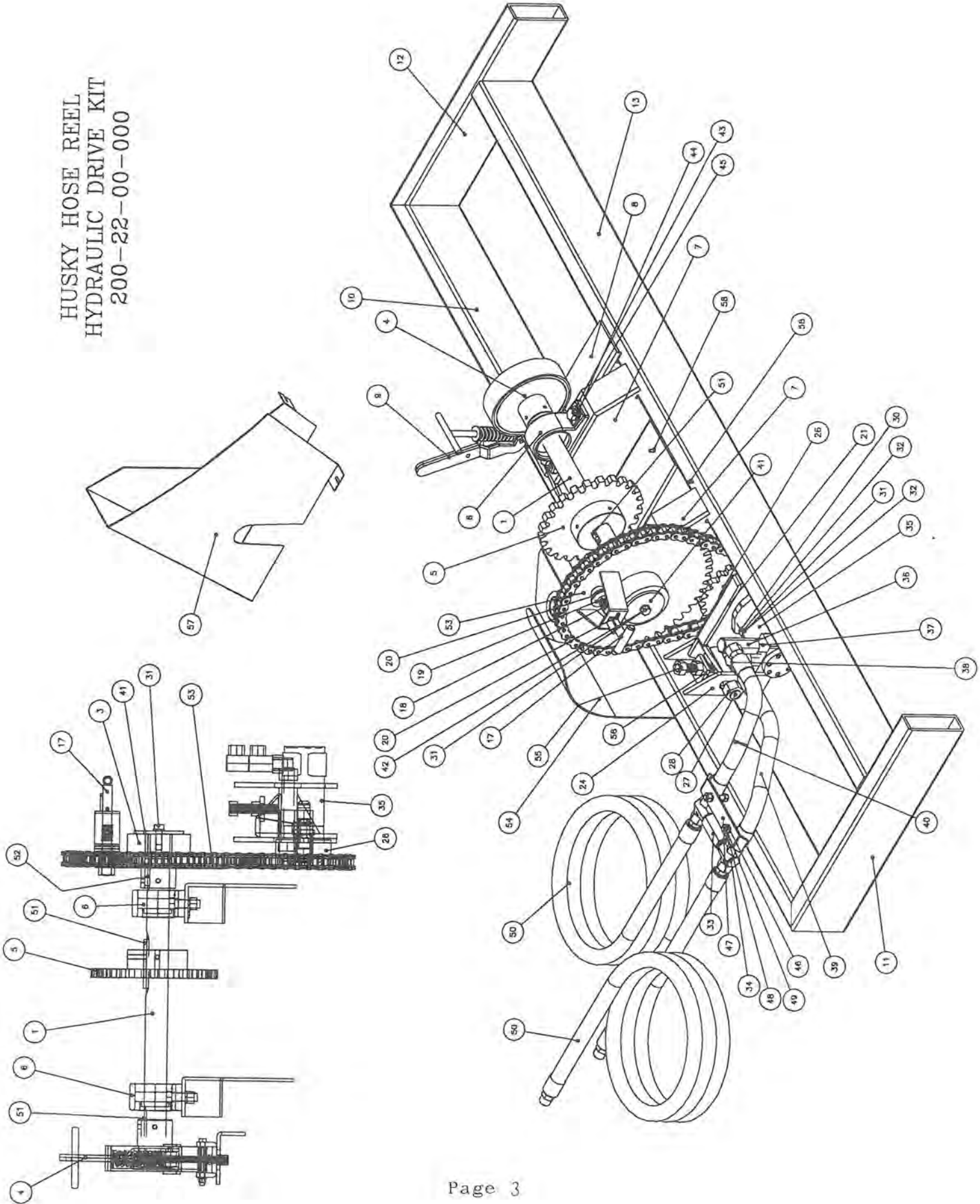
HUSKY HOSE REEL-MAIN FRAME



HUSKY HOSE REEL-MAIN FRAME

Item	Part Number	Description	Qty
1	2002400000	MAIN FRAME ASSY	1
2	2000300000	TONGUE TUBE ASSY	1
3	2000400000	STABILIZER BAR	1
4	2002300000	STABILIZER PIN ASSY	2
5	R20727	2 X 8" HYDRAULIC CYLINDER	1
6	2000900000	TONGUE PIN ASSY	1
7	R08183	1/4-28 STRAIGHT GREASE FITTING	1
8	R08040	7/16 " S-18 LYNCH PIN	2
9	2000000189	UHMW GUIDE PLATE	4
10	R08156	3/8 X 1" FLAT SLOT HEAD MACHINE SCREW	12
11	R07803	3/8" LOCK WASHER	22
12	R07783	3/8" HEX NUT	22
13	2003300000	LEFT HAND TOOL BOX	1
14	2001000000	RIGHT HAND TOOL BOX	1
15	2000000158	TOOL BOX REINFORCING BAR	2
16	R07721	3/8 X 1" CARRIAGE BOLT	4
17	R07619	3/8 X 1" HEX BOLT	6
18	2000000132	SMV SIGN HOLDER	1
19	R07640	1/2 X 2 1/2" HEX BOLT	1
20	R07785	1/2" HEX NUT	1
21	R07805	1/2" LOCK WASHER	1
22	R07918	1/2 X 2" SQ HEAD SET SCREW	4
23	R08046	1/2-13 UNC HEX JAM NUT	4
24	R09501	SLOW MOVING VEHICLE SIGN	1
25	R21367	1/2" X 90~ NPT HYDRAULIC STREET ELBOW	2
26	2423500000	HYDRAULIC HOSE ASSY - 3425mm O/A LENGTH	1
27	2423400000	HYDRAULIC HOSE ASSY - 3730mm O/A LENGTH	1
28	R21342	PIONEER HYDRAULIC MALE TIP	2
29	R09751	SIDE WIND JACK	1

HUSKY HOSE REEL
 HYDRAULIC DRIVE KIT
 200-22-00-000

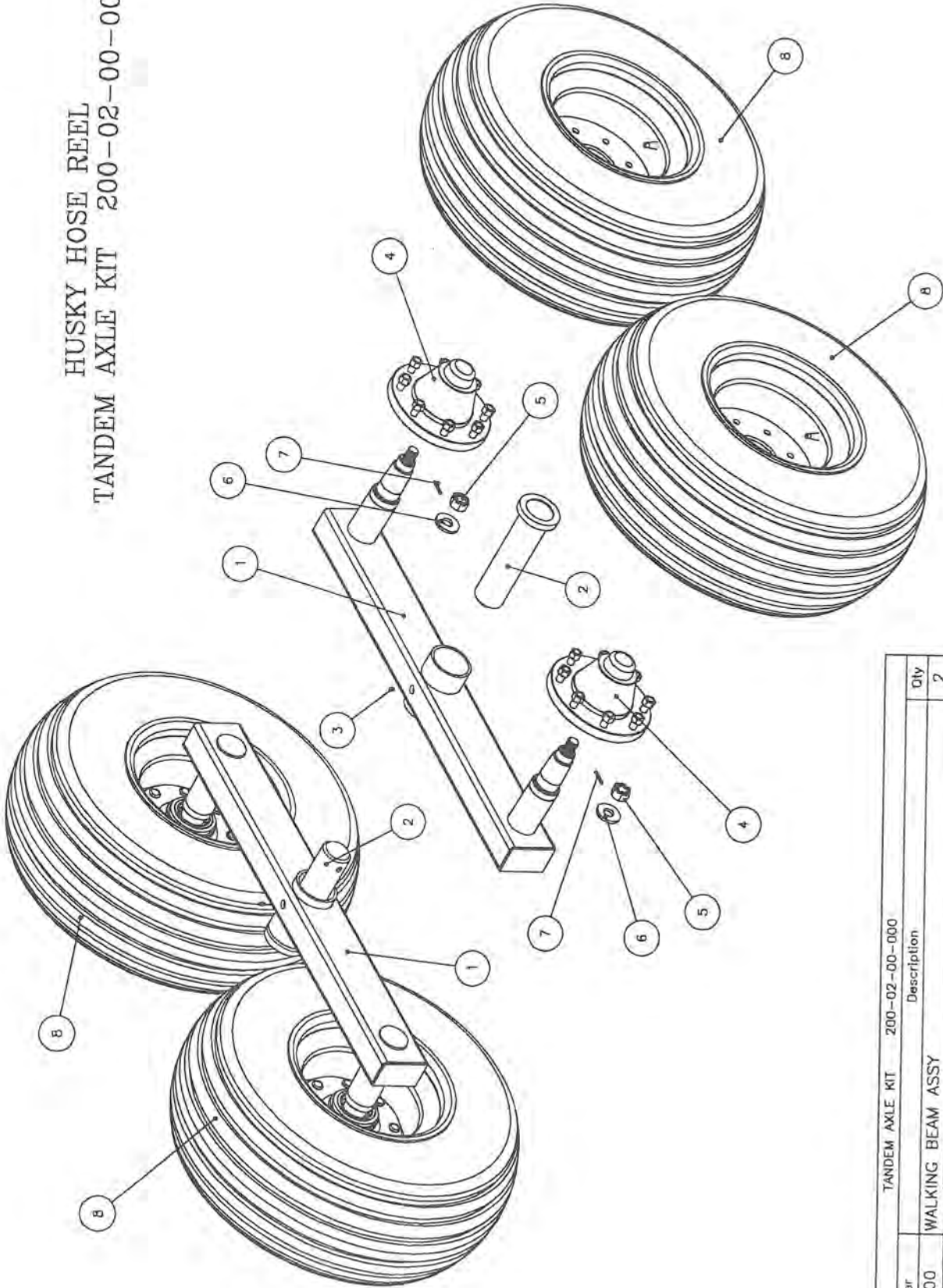


HYDRAULIC DRIVE KIT-200-22-00-000

Item	Part Number	Description	Qty
1	2000000185	SPROCKET SHAFT	1
2	2003000000	DRIVE PLATE ASSY	1
3	2003100000	DRIVE SPROCKET ASSY	1
4	2003200000	BRAKE DISC & HUB ASSY	1
5	R20928	100 B28 SPROCKET W/KW	1
6	R20169	1 3/4" PILLOW BLOCK BRG	2
7	2002400176	BEARING BRKT	2
8	2002400184	BRAKE MOUNT PLATE	1
9	2001200000	BRAKE KIT	1
10	2002400133	FRAME FRONT-NOT INCLUDED	1
11	LH SIDE	FRAME SIDE-NOT INCLUDED	1
12	RH SIDE	NOT INCLUDED	1
13	2002400134	CROSS MEMBER-NOT INCLUDED	1
14	2002400194	SPACER TUBE-NOT INCLUDED	1
15	2000101000	TONGUE PLATE-NOT INCLUDED	2
17	2002206000	LOCK PIN ASSY	1
18	R08027	7/8 X 1 3/8" COMPR SPRING	1
19	R07827	3/4" FLAT WASHER	1
20	R07942	1/4 X 2" ROLL PIN	2
21	2002211000	HYD MOTOR MOUNT ASSY	1
22	2002202000	BUSHING HOLDER ASSY	1
24	2002200209	TIGHTENER BRKT	2
25	2002209000	HINGE PIN ASSY	1
26	R20926	80 B23 SPROCKET X 1 1/4 BORE	1
27	R07667	1 X 6" HEX BOLT	1
28	R07788	1" HEX NUT	1
29	R07808	1" LOCK WASHER	1
30	R07638	1/2 X 1 1/2" HEX BOLT	2
31	R07805	1/2" LOCK WASHER	3
32	R07785	1/2" HEX NUT	2

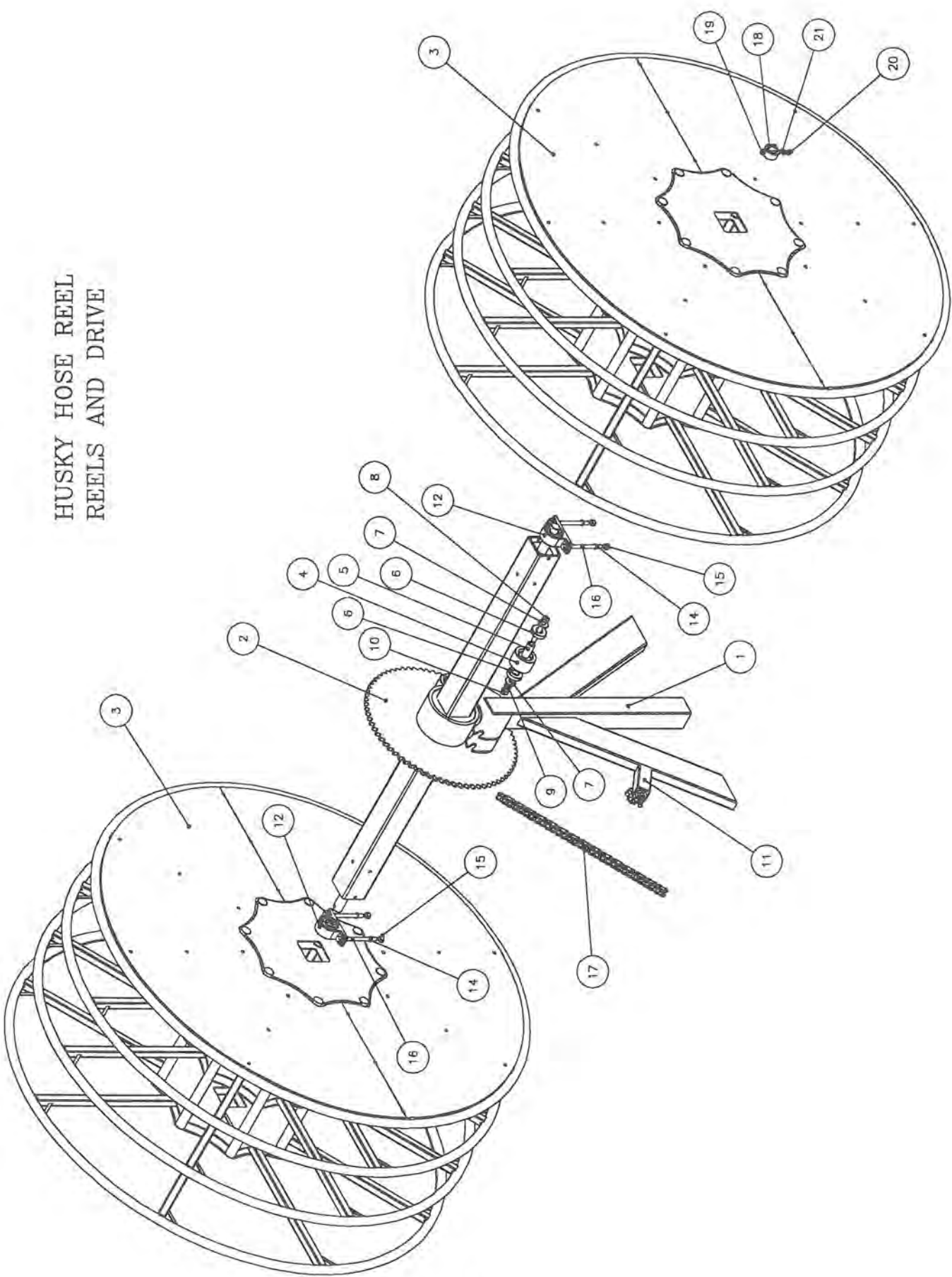
Item	Part Number	Description	Qty
33	R21202	3/4" IN LINE CHECK VALVE	1
34	R21393	3/4" TEE	2
35	R22141	104-1028 HYD MOTOR	1
36	R21344	3/4" X 90~ ADAPTOR	1
37	R20815	7/8-14 SAE M X 3/4" ADAPTOR	2
38	R21332	3/4 X 3/4" NPT 90~ SW ADAPT	1
39	3510300000A	HYDRAULIC HOSE ASSY	1
40	3510300000B	HYDRAULIC HOSE ASSY	1
41	2000000195	CLUTCH WASHER	1
42	R07674	1/2 X 1 1/4" HEX BOLT	1
43	R07647	5/8 X 2" HEX BOLT	4
44	R07806	5/8" LOCK WASHER	4
45	R07786	5/8" HEX NUT	4
46	R07630	7/16 X 2" HEX BOLT	2
47	2000000216	DOUBLE HOSE HOLDER	1
48	R07804	7/16" LOCK WASHER	2
49	R07784	7/16" HEX NUT	2
50	3510400000	LONG HYDRAULIC HOSE ASSY	2
51	2000000217	3/8" KEY - 100mm LONG	2
52	2000000218	3/8" KEY - 40mm LONG	1
53	2000000190	#80 ROLLER CHAIN W/ CONN L	1
54	2000000182	CLUTCH GUARD	1
55	2002208000	TIGHTENER ROD ASSY	1
56	2002212000	TIGHTENER BRKT ASSY	1
57	2000000183	CHAIN GUARD ASSY	1
58	R08301	1/4 -20 X 1/2 WELD STUD	3

HUSKY HOSE REEL
 TANDEM AXLE KIT 200-02-00-000



Item	Part Number	Description	Qty
1	2000201000	WALKING BEAM ASSY	2
2	2000203000	STUB SHAFT ASSY	2
3	R08183	1/4-28 STRAIGHT GREASE FITTING	2
4	3002700000	8 BOLT HUB ASSY	4
5	R20117	SPINDLE NUT	4
6	R20118	SPINDLE WASHER	4
7	R07943	3/16 X 1 1/2" ROLL PIN	4
8	3656100000	12.5 X 15 10 PLY TBS TIRE	4

HUSKY HOSE REEL
REELS AND DRIVE



HOSE REEL & DRIVE

Item	Part Number	Description	Qty
1	2002900000	CENTER BEARING POST	1
2	2002500000	CROSS TUBE ASSY	1
3	2003400000	3 SECTION REEL ASSY	2
4	2000000150	BEARING HOLDER	2
5	2000000151	SLEEVE	2
6	R20175	ROLLER BRG 6207 LLB/2AU1	4
7	R07827	3/4" FLAT WASHER	4
8	R07659	3/4 X 5" HEX BOLT	2
9	R07807	3/4" LOCK WASHER	2
10	R07787	3/4" HEX NUT	2
11	2001100000	CHAIN TIGHTENER KIT	1
12	R20177	1 3/4" HD PB BLOCK BRG	2
13	R07826	5/8" FLAT WASHER	4
14	R07806	5/8" LOCK WASHER	4
15	R07786	5/8" HEX NUT	4
16	R08271	5/8 X 8" HEX BOLT	4
17	2000000191	#100 ROLLER CHAIN W/ CONN	1
18	2000000214	SHAFT COLLAR	2
19	R07642	1/2 X 3 1/2" HEX BOLT	2
20	R07785	1/2" HEX NUT	2
21	R07805	1/2" LOCK WASHER	2

GUARANTEE

All Husky Farm Equipment manufactured by Husky Farm Equipment Limited is guaranteed. Guarantee covers all the replacement cost or repair of all parts said to be defective from manufacture. Guarantee also covers labour installing said parts, if installed at Husky's Manufacturing plant. Time and use is the essence of the guarantee. If equipment is used on a private property for an individual's use, guarantee will be in effect for twelve months from date of invoice. If equipment is used for commercial use to do custom work for money then guarantee will be in effect for three months only from date of invoice.

EXEMPTIONS FROM GUARANTEE

Cost of transportation of equipment to or from Husky Farm Equipment Limited either by customer or by Husky's service staff or cost of mail or public transportation is not covered. Tires and electric or hydraulic motors are covered by manufacturer's warranty and although Husky may assist to get warranty, Husky will not be responsible other than that allowed by manufacture's warranty. Items subject to normal wear from use not covered by guarantee if faulty part is simply worn.