

Date Purchased _____

The key number system in this parts book is arranged as follows:

- ⊙ - Key numbers with two circles denotes main assemblies.
- - Key numbers with one circle are individual parts

Please order parts by number

HUSKY

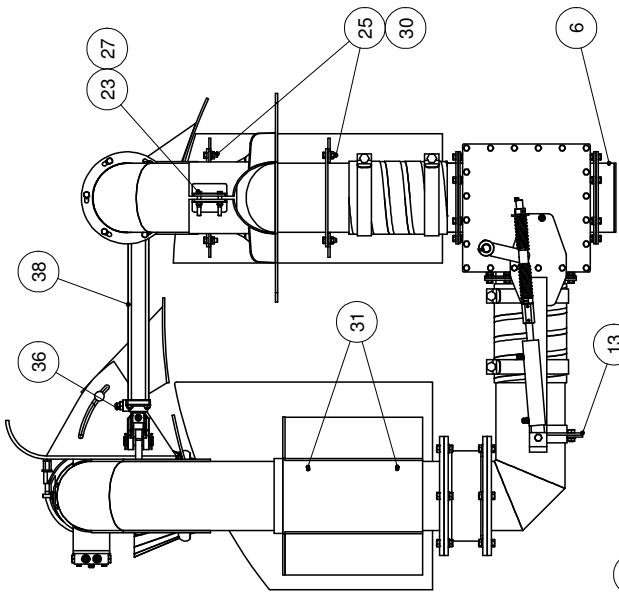
FARM EQUIPMENT

8" SWING BOOM KIT

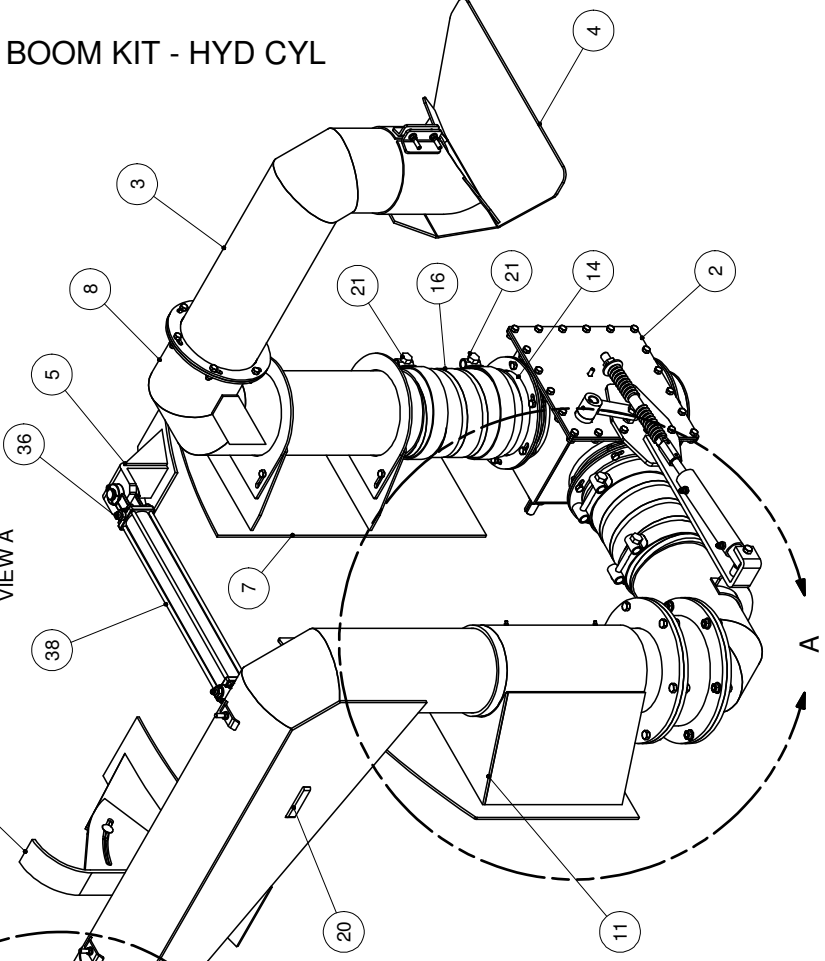
- 385-42-00-000 – Hydraulic Cylinder
- 385-41-00-000 – Hydraulic Orbit Motor



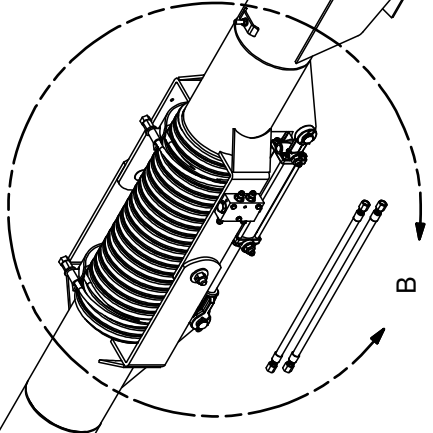
8" SWING BOOM KIT - HYD CYL



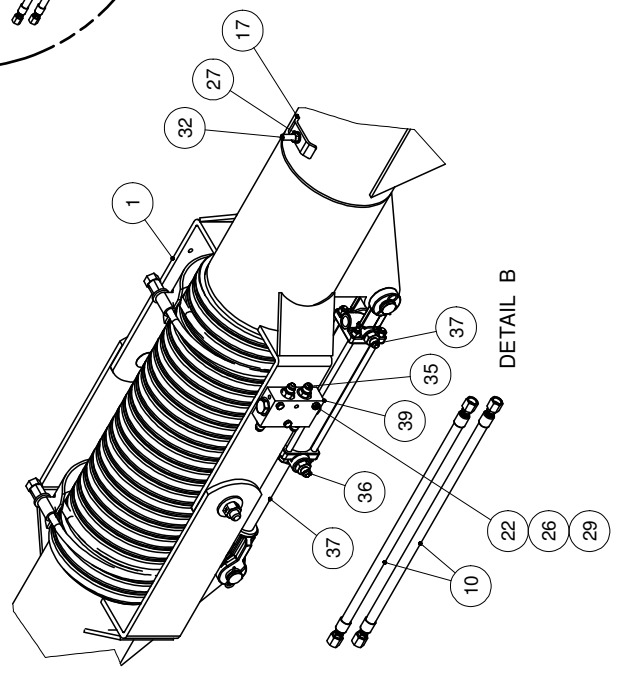
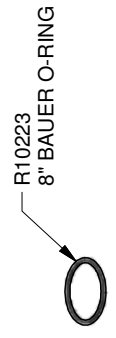
VIEW A



8" HYDRAULIC CYLINDER SWING BOOM KIT 385-42-00-000



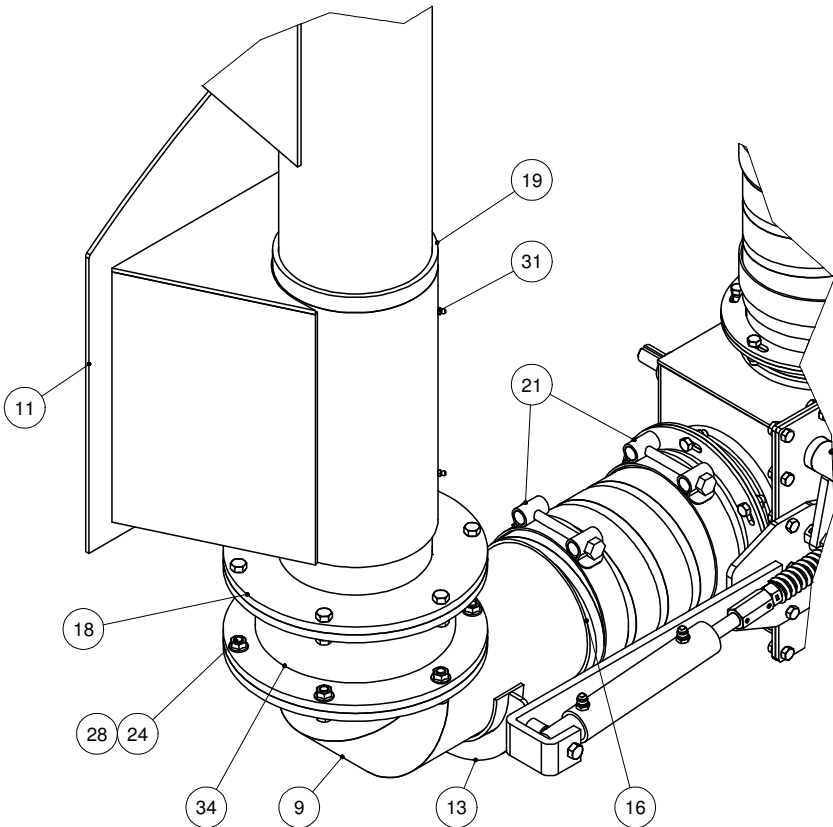
B



DETAIL B

8" SWING BOOM KIT - HYD CYL

PARTS LIST				PARTS LIST			
ITEM	PART NUMBER	DESCRIPTION	QTY	ITEM	PART NUMBER	DESCRIPTION	QTY
1	385-41-01-000	8" BOOM ASSY COMPLETE w/ SNORKEL	1	20	385-05-05-154	CYLINDER BRKT	1
2	386-13-00-000	8" FLAPPER BOX KIT W/ HYD CYL.	1	21	R02484	8" SUCTION HOSE CLAMP	4
3	358-92-03-000	8" EXTENSION PIPE ASSY	1	22	R07604	1/4-20 UNC x 2 HEX BOLT GR.5	3
4	358-92-04-000	8" SPLASH PLATE ASSY	1	23	R07622	3/8-16 UNC x 2.5 HEX BOLT GR.5	2
5	384-06-19-000	CYLINDER BRKT ASSY	1	24	R07638	1/2-13 UNC x 1.5 HEX BOLT GR.5	12
6	385-05-03-000	HOUSING TO VALVE CONN ASSY -8"	1	25	R07671	7/16-14 UNC x 1.25 HEX BOLT GR.5	28
7	385-05-04-000	8" VERTICAL DISCHARGE PIPE HOLDER ASSY	1	26	R07781	1/4-20 UNC HEX NUT - ZINC	3
				27	R07794	3/8-16 UNC FLANGE NUT - ZINC	4
8	385-05-09-000	8" VERTICAL DISCHARGE PIPE ASSY	1	28	R07795	1/2-13 UNC FLANGE NUT - ZINC	12
9	385-05-11-000	8" CROSS PIPE W/FLANGE ASSY	1	29	R07801	1/4 LOCK WASHER - ZINC	3
10	385-05-12-000	HYD HOSE ASSY-CHECK VALVE TO CYL	2	30	R07879	7/16-14 UNC FLANGE NUT - ZINC	28
11	385-11-04-000	8" BOOM VERTICAL SUPPORT ASSY	1	31	R08183	1/4" - 28 STRAIGHT GREASE FITTING	2
12	385-29-00-000	UNIVERSAL BOOM STOP KIT	2	32	R08302	3/8-16 UNC x 1 5/8" WELD STUD	2
13	386-05-12-000	SADDLE KIT	1	33	R10223	8" BAUER 'O' RING	1
14	386-05-16-000	8" HOSE CONN PIPE ASSY	2	34	R10429	8" SWIVEL JOINT	1
15	386-11-01-000	8" BAUER FUNNEL ASSY	1	35	R23089	ORB-6 x 3/8" JIC M. ADAPTOR	4
16	290-00-00-120	8" CONNECTOR HOSE	2	36	R23091	ORB-8 X 3/8" JIC M ADAPTOR	4
17	290-00-00-167	HYDRAULIC HOSE CLIP	2	37	R23267	20TH08 HYD CYL-ORB	1
18	385-00-00-329	FLANGE FOR 8" SWIVEL	1	38	R23273	20TH20 HYD CYL-ORB	1
19	385-05-05-153	STOP RING	1	39	R23329	DUAL P/O CHECK VALVE - ORB-8	1

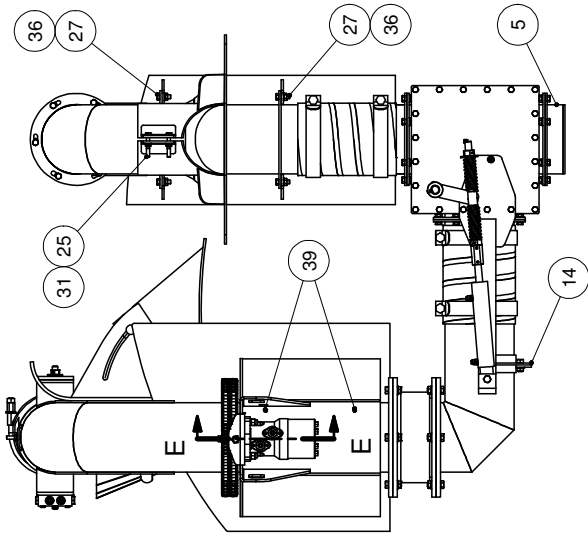


DETAIL A

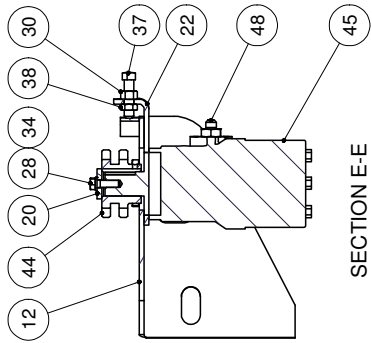
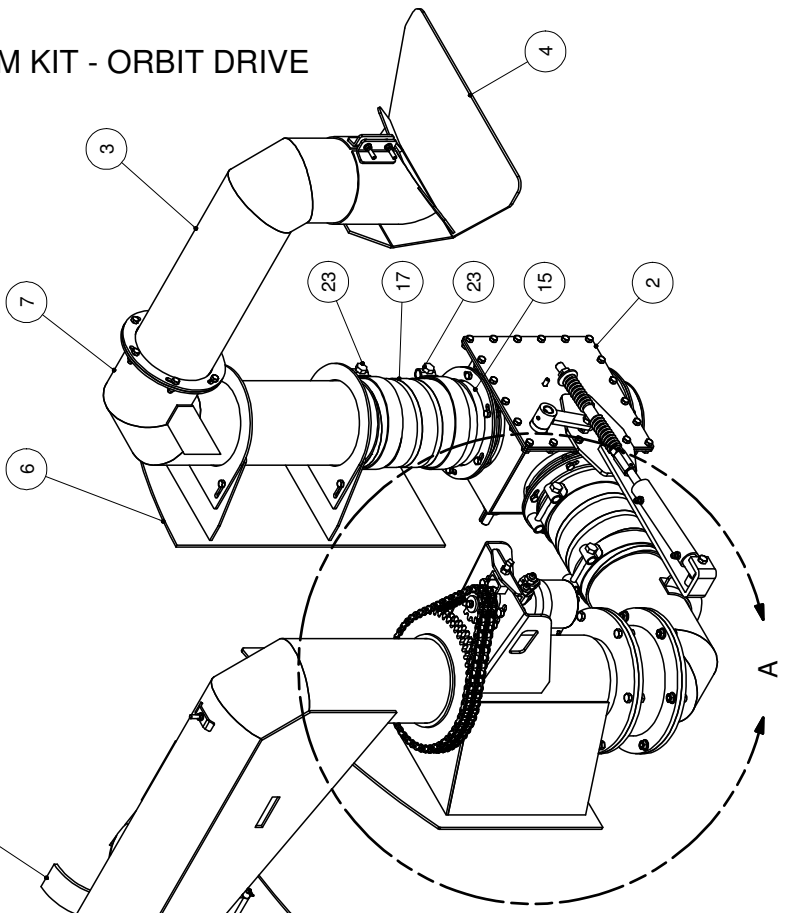
HYD HOSES NOT INCLUDED IN KIT - AS REQ'D ONLY

- 2pc - 384-06-11-000 CAB TO FLAPPER VALVE
- 1pc - 384-06-14-000 CAB TO BOOM TIP CYL - SHORT
- 1pc - 384-06-15-000 CAB TO BOOM TIP CYL - LONG
- 2pc - 384-06-12-000 CAB TO SWING CYLINDER

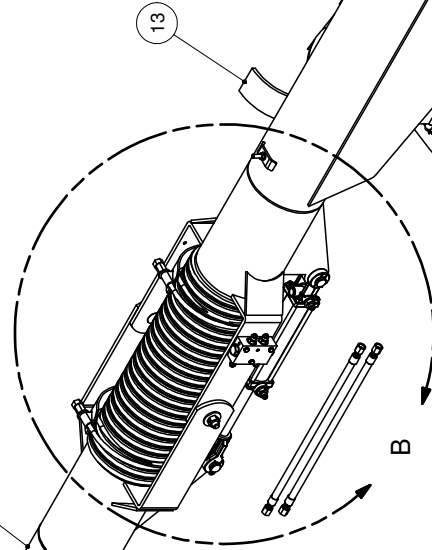
8" SWING BOOM KIT - ORBIT DRIVE



VIEW A

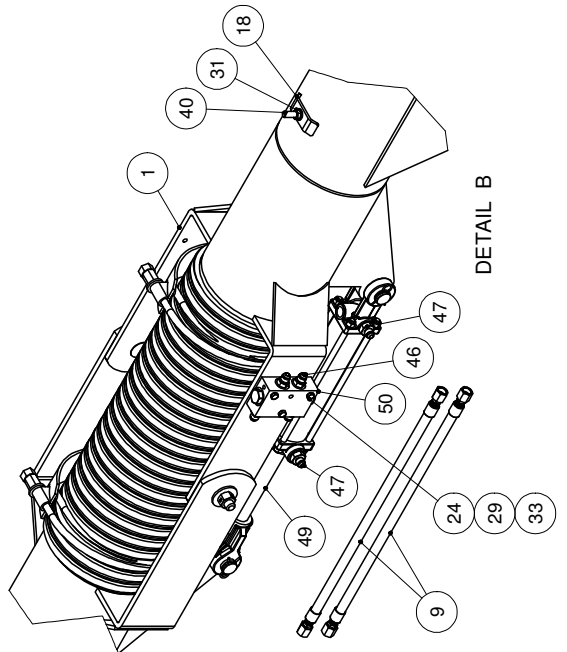


SECTION E-E



B

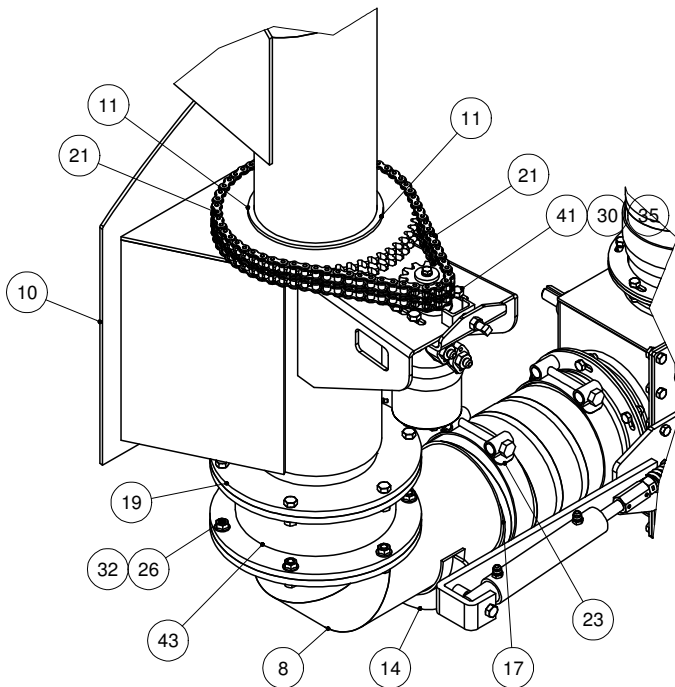
8" ORBIT MOTOR DRIVE SWING BOOM KIT 385-41-00-000



DETAIL B

8" SWING BOOM KIT - ORBIT DRIVE

PARTS LIST				PARTS LIST			
ITEM	PART NUMBER	DESCRIPTION	QTY	ITEM	PART NUMBER	DESCRIPTION	QTY
1	385-41-01-000	8" BOOM ASSY COMPLETE w/ SNORKEL	1	26	R07638	1/2-13 UNC x 1.5 HEX BOLT GR.5	12
2	386-13-00-000	8" FLAPPER BOX KIT W/ HYD CYL.	1	27	R07671	7/16-14 UNC x 1.25 HEX BOLT GR.5	28
3	358-92-03-000	8" EXTENSION PIPE ASSY	1	28	R07675	3/8-16 UNC x 1.25 HEX BOLT GR.5	1
4	358-92-04-000	8" SPLASH PLATE ASSY	1	29	R07781	1/4-20 UNC HEX NUT - ZINC	3
5	385-05-03-000	HOUSING TO VALVE CONN ASSY -8"	1	30	R07785	1/2-13 UNC HEX NUT - ZINC	5
6	385-05-04-000	8" VERTICAL DISCHARGE PIPE HOLDER ASSY	1	31	R07794	3/8-16 UNC FLANGE NUT - ZINC	4
				32	R07795	1/2-13 UNC FLANGE NUT - ZINC	12
7	385-05-09-000	8" VERTICAL DISCHARGE PIPE ASSY	1	33	R07801	1/4 LOCK WASHER - ZINC	3
8	385-05-11-000	8" CROSS PIPE W/FLANGE ASSY	1	34	R07803	3/8 LOCK WASHER - ZINC	1
9	385-05-12-000	HYD HOSE ASSY-CHECK VALVE TO CYL	2	35	R07805	1/2 LOCK WASHER - ZINC	4
10	385-11-04-000	8" BOOM VERTICAL SUPPORT ASSY	1	36	R07879	7/16-14 UNC FLANGE NUT - ZINC	28
11	385-11-05-000	SPROCKET AND SLEEVE ASSY	1	37	R07918	1/2-13 UNC x 2 SQ HD SET SCREW - BLK	1
12	385-11-09-000	HYDRAULIC MOTOR MOUNT ASSY	1	38	R08046	1/2-13 UNC HEX JAM NUT - ZINC	1
13	385-29-00-000	UNIVERSAL BOOM STOP KIT	2	39	R08183	1/4" - 28 STRAIGHT GREASE FITTING	2
14	386-05-12-000	SADDLE KIT	1	40	R08302	3/8-16 UNC x 1 5/8" WELD STUD	2
15	386-05-16-000	8" HOSE CONN PIPE ASSY	2	41	R07639	1/2-13 UNC x 2 HEX BOLT GR.5	4
16	386-11-01-000	8" BAUER FUNNEL ASSY	1	42	R10223	8" BAUER 'O' RING	1
17	290-00-00-120	8" CONNECTOR HOSE	2	43	R10429	8" SWIVEL JOINT	1
18	290-00-00-167	HYDRAULIC HOSE CLIP	2	44	R21002	D60B12 SPROCKET-1 1/4" BORE	1
19	385-00-00-329	FLANGE FOR 8" SWIVEL	1	45	R22164	DANFOSS/M+S HYD MOTOR-OMH500/MLHH500	1
20	385-11-00-328	SPROCKET CAP	1				
21	385-11-00-323	60-2 DOUBLE ROLLER CHAIN C/W CL	1	46	R23089	ORB-6 x 3/8" JIC M. ADAPTOR	4
22	385-11-00-457	TIGHTENER PLATE	1	47	R23091	ORB-8 X 3/8" JIC M ADAPTOR	2
23	R02484	8" SUCTION HOSE CLAMP	4	48	R23094	ORB-10 x 3/8" JIC M ADAPTOR	2
24	R07604	1/4-20 UNC x 2 HEX BOLT GR.5	3	49	R23267	20TH08 HYD CYL-ORB	1
25	R07622	3/8-16 UNC x 2.5 HEX BOLT GR.5	2	50	R23329	DUAL P/O CHECK VALVE - ORB-8	1



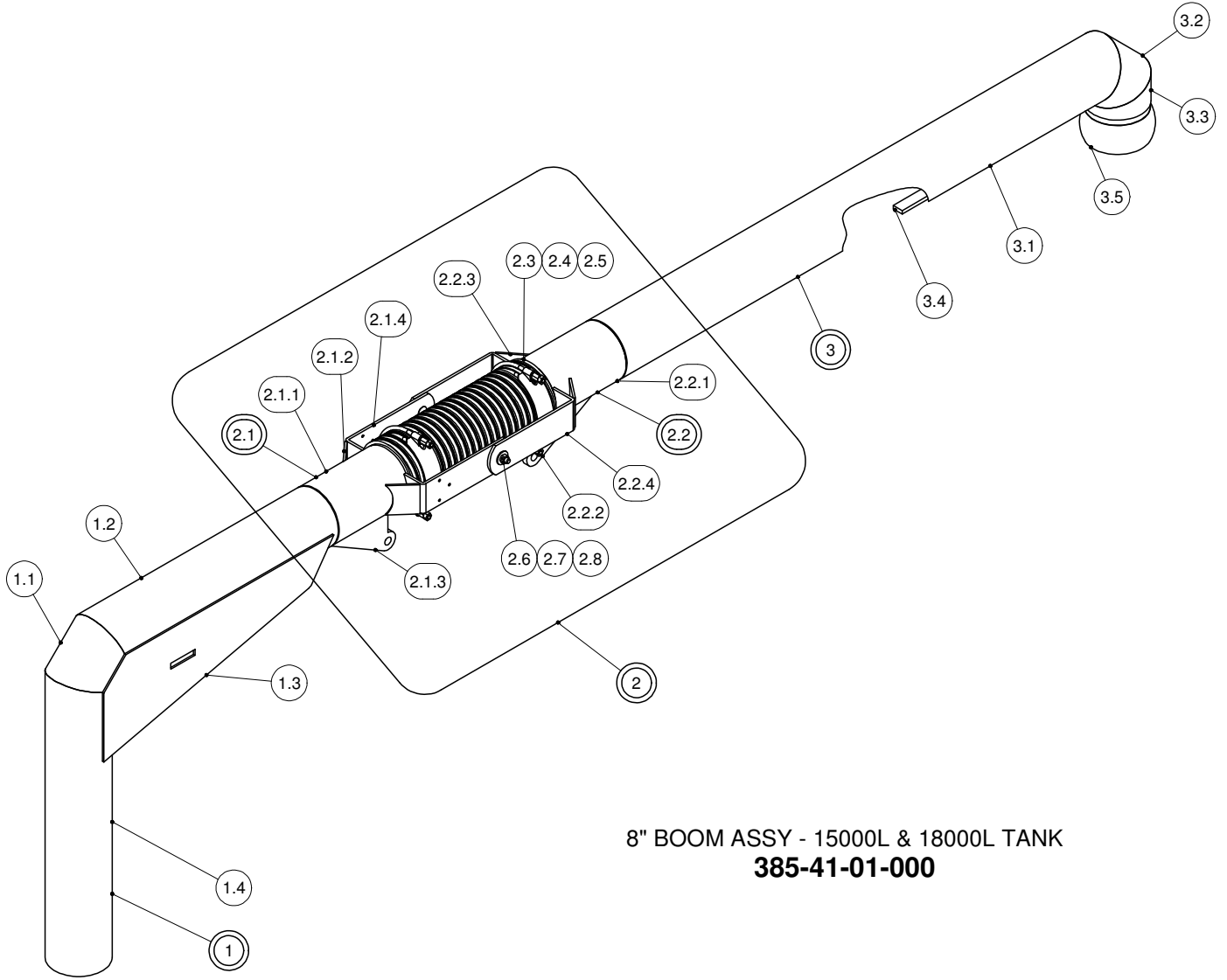
DETAIL A

DANFOSS HYD MOTOR-OMH500
REPLACEMENT SEAL KIT
R22460

HYD HOSES NOT INCLUDED IN KIT - AS REQ'D ONLY

- 2pc - 384-06-11-000 CAB TO FLAPPER VALVE
- 1pc - 384-06-14-000 CAB TO BOOM TIP CYL - SHORT
- 1pc - 384-06-15-000 CAB TO BOOM TIP CYL - LONG
- 2pc - 384-06-12-000 CAB TO SWING ORBIT MOTOR

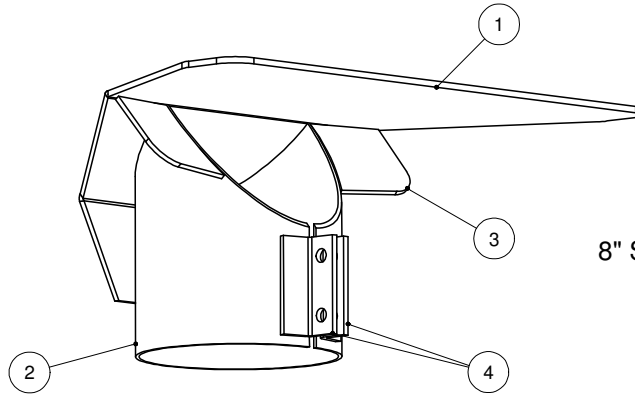
8" BOOM ASSY



8" BOOM ASSY - 15000L & 18000L TANK
385-41-01-000

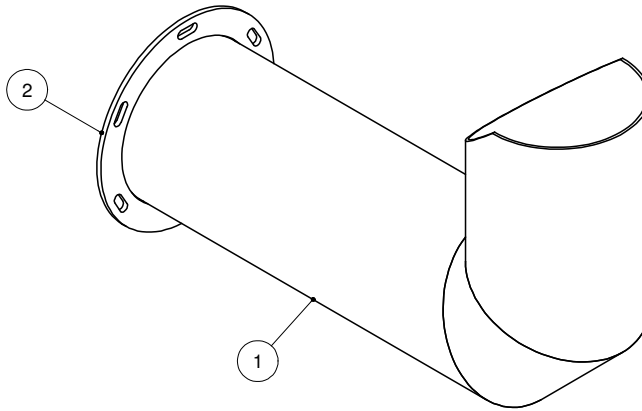
PARTS LIST				PARTS LIST			
ITEM	PART NUMBER	DESCRIPTION	QTY	ITEM	PART NUMBER	DESCRIPTION	QTY
1	385-41-02-000	8" SWIVEL PIPE ASSY - 15000L & 18000 L	1	2.2.3	386-05-01-094	GUSSET	2
				2.2.4	386-05-02-311	8" OUTER PIVOT BRKT	2
1.1	385-05-05-206	ELBOW MIDDLE PC	1	2.3	386-05-03-095	8" FLEX HOSE	1
1.2	385-41-02-594	8" HORIZONTAL DISCHARGE PIPE	1	2.4	R02844	8" SPIRAL CLAMP	2
1.3	385-41-02-595	SIDE GUSSET	2	2.5	384-06-21-305	SPACER PIPE	2
1.4	385-05-05-151	8" VERTICAL DISCHARGE PIPE	1	2.6	R07887	5/8-11 UNC 2-WAY LOCK NUT - ZINC	2
2	386-05-03-000	8" SNORKEL KIT	1	2.7	R07826	5/8 FLAT WASHER STD - ZINC	2
2.1	386-05-01-000	INNER PIVOT BRKT ASSY - 8"	1	2.8	R07754	5/8-11 UNC x 2 CARRIAGE BOLT Gr.5	2
2.1.1	386-05-01-091	8" BARBED END	1	3	385-41-03-000	8" OUTER BOOM ASSY	1
2.1.2	386-05-01-094	GUSSET	2	3.1	385-41-03-596	OUTER DISCHARGE PIPE	1
2.1.3	384-06-04-046	HYDRAULIC CYLINDER BRKT	1	3.2	386-05-09-140	DISCHARGE MID PC	1
2.1.4	386-05-01-308	8" INNER PIVOT BRKT	2	3.3	386-05-09-139	OUTER DISCHARGE PIPE END PC	1
2.2	386-05-02-000	OUTER PIVOT BRKT ASSY - 8"	1	3.4	384-06-07-463	DISCHARGE PIPE WEAR BAR	1
2.2.1	386-05-01-091	8" BARBED END	1	3.5	R10220	8" BAUER BALL	1
2.2.2	384-06-04-046	HYDRAULIC CYLINDER BRKT	1				

8" VERTICAL DISCHARGE PARTS



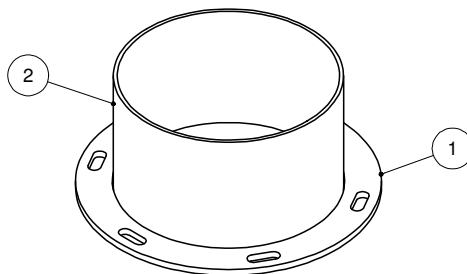
**8" SPLASH PLATE ASSY
358-92-04-000**

PARTS LIST			
ITEM	PART NUMBER	DESCRIPTION	QTY
1	358-92-04-308	8" SPLASH PLATE	1
2	358-92-04-309	8" SPLASH PLATE TUBE	1
3	358-92-04-310	WING FOR 8" SPLASH PLATE	2
4	358-92-04-311	CLAMPING TUBE BRKT	2



**8" EXTENSION PIPE ASSY
358-92-03-000**

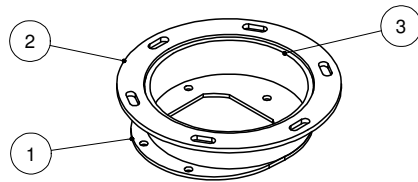
PARTS LIST			
ITEM	PART NUMBER	DESCRIPTION	QTY
1	358-92-03-307	8" EXTENSION PIPE	1
2	358-92-02-306	8" DISCHARGE FLANGE	1



**8" HOSE CONNECTOR ASSY
386-05-16-000**

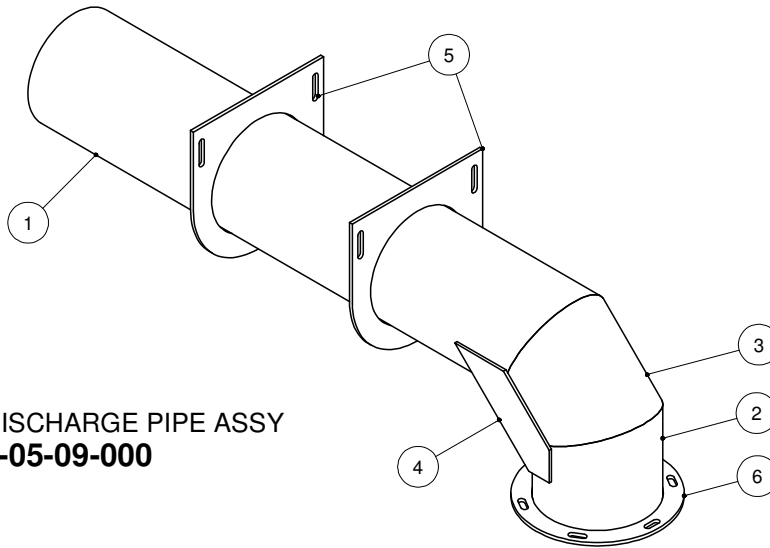
PARTS LIST			
ITEM	PART NUMBER	DESCRIPTION	QTY
1	358-92-02-306	8" DISCHARGE FLANGE	1
2	386-05-16-566	FLEX HOSE EXTENSION PIPE	1

8in VERTICAL DISCHARGE & SWING BOOM PARTS



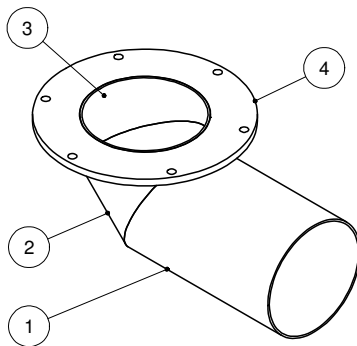
HOUSING TO VALVE CONNECTION
385-05-03-000

PARTS LIST			
ITEM	PART NUMBER	DESCRIPTION	QTY
1	358-92-01-301	8" HOUSING DISCHARGE RING	1
2	358-92-02-306	8" DISCHARGE FLANGE	1
3	385-05-03-217	CONNECTOR TUBE	1



8" VERTICAL DISCHARGE PIPE ASSY
385-05-09-000

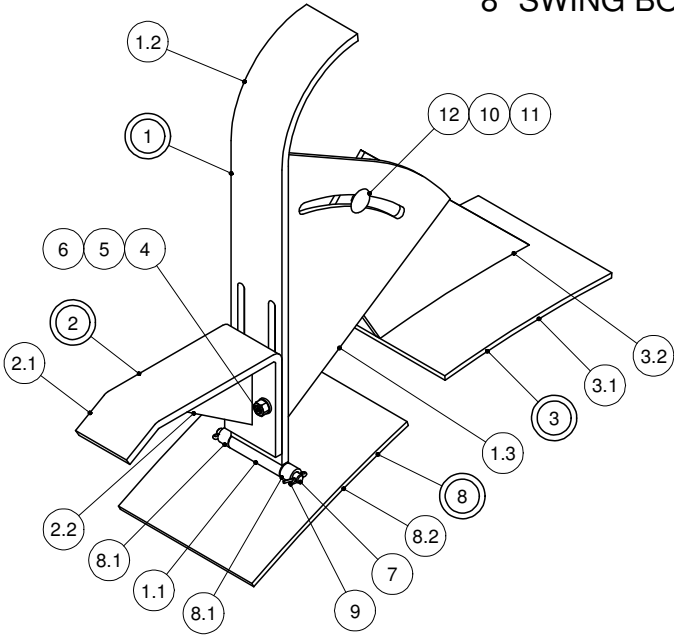
PARTS LIST				PARTS LIST			
ITEM	PART NUMBER	DESCRIPTION	QTY	ITEM	PART NUMBER	DESCRIPTION	QTY
1	385-05-09-145	8" VERTICAL DISCHARGE TUBE	1	4	384-05-02-097	GUSSET	2
2	385-05-09-146	ELBOW END PC	1	5	357-47-01-227	8" PIPE MOUNT BRKT	2
3	385-05-09-147	ELBOW MIDDLE PC	1	6	358-92-02-306	8" DISCHARGE FLANGE	1



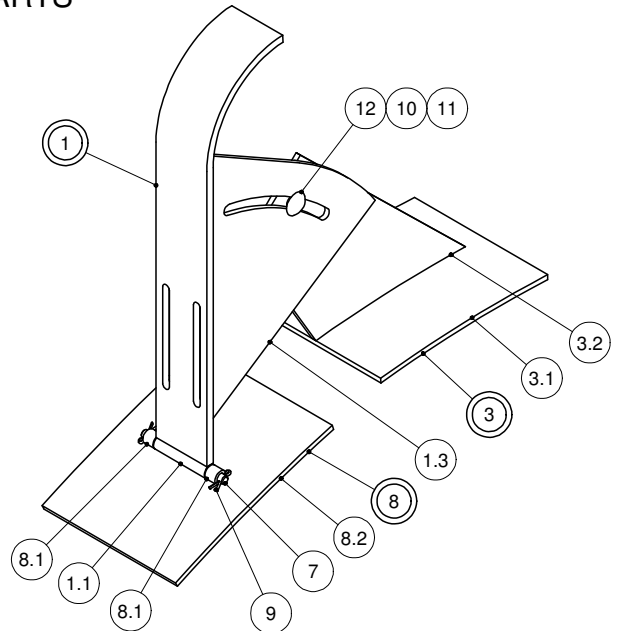
8" CROSS PIPE W/ FLANGE ASSY
385-11-00-000

PARTS LIST			
ITEM	PART NUMBER	DESCRIPTION	QTY
1	385-05-11-571	8" CROSS PIPE	1
2	386-05-04-391	ELBOW MIDDLE PC	1
3	386-05-04-173	ELBOW END PC	1
4	385-00-00-329	FLANGE FOR 8" SWIVEL	1

8" SWING BOOM PARTS



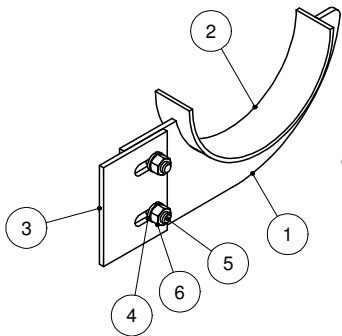
**UNIVERSAL BOOM HOLDER KIT
385-28-00-00**



**UNIVERSAL BOOM STOP KIT
385-29-00-00**

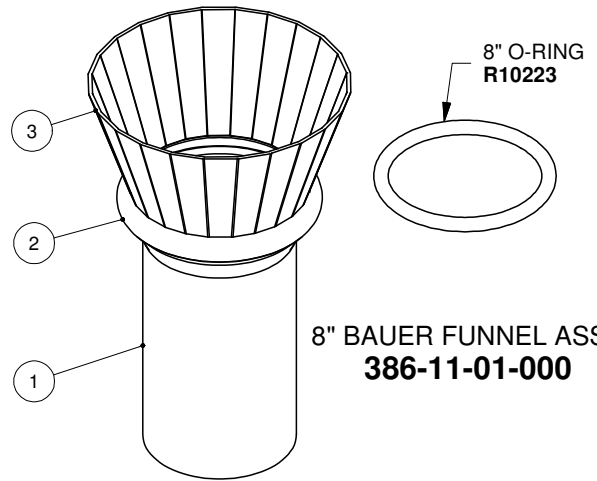
PARTS LIST			
ITEM	PART NUMBER	DESCRIPTION	QTY
1	385-28-01-000	VERTICAL STOP ASSY	1
1.1	385-28-01-521	LONG PIVOT SLEEVE	1
1.2	385-28-01-522	VERTICAL ADJUSTABLE STOP	1
1.3	385-28-01-523	BACK GUSSET	1
2	385-28-03-000	ADJUSTABLE SEAT ASSY	1
2.1	385-28-03-526	ADJUSTABLE SEAT	1
2.2	385-28-03-527	SEAT GUSSET	1
3	385-28-04-000	UPPER TANK PLATE ASSY	1
3.1	385-28-02-525	TANK PLATE	1
3.2	385-28-04-529	UPPER TANK PLATE BRKT	1
4	R07722	3/8 x 1 1/4 UNC CARRIAGE BOLT	2

PARTS LIST			
ITEM	PART NUMBER	DESCRIPTION	QTY
5	R07803	3/8" LOCK WASHER	2
6	R07783	3/8-16 UNC HEX NUT	2
7	385-28-00-528	PIVOT PIN	1
8	385-28-02-000	LOWER TANK PLATE ASSY	1
8.1	385-28-02-524	SHORT PIVOT SLEEVE	2
8.2	385-28-02-525	TANK PLATE	1
9	R08021	1/8 x 1 S.S. COTTER PIN	2
10	R07785	1/2-13 UNC HEX NUT	1
11	R07805	1/2" LOCK WASHER	1
12	R07742	1/2 x 1 1/4 UNC CARRIAGE BOLT	1



**8" SADDLE ASSY
386-05-12-000**

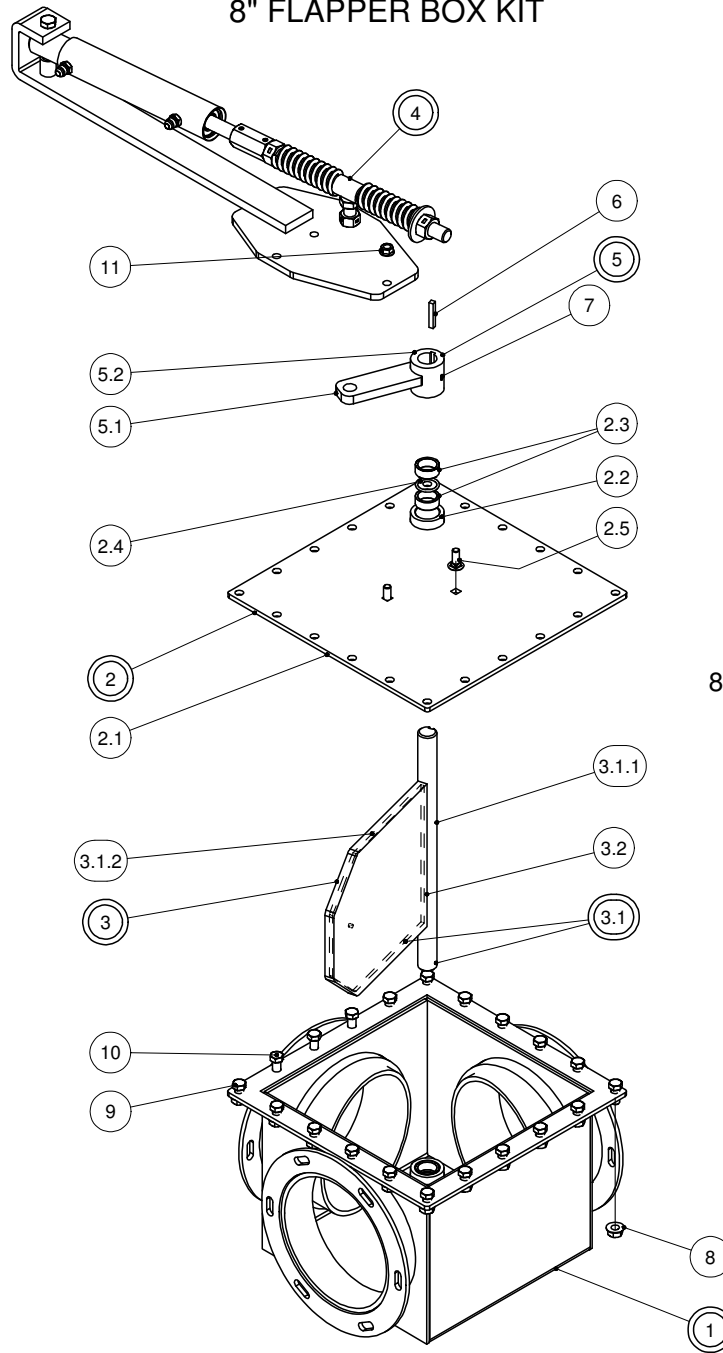
PARTS LIST			
ITEM	PART NUMBER	DESCRIPTION	QTY
1	386-05-12-150	SADDLE HOLDER	1
2	386-05-12-149	SADDLE	1
3	386-05-12-458	SADDLE ADJUSTMENT BRKT	1
4	R07805	1/2" LOCK WASHER	2
5	R07674	1/2 x 1 1/4 UNC HEX BOLT	2
6	R07785	1/2-13 UNC HEX NUT	2



**8" BAUER FUNNEL ASSY
386-11-01-000**

PARTS LIST			
ITEM	PART NUMBER	DESCRIPTION	QTY
1	386-11-01-269	CONE TUBE	1
2	R10222	8" BAUER BALL SOCKET	1
3	386-11-01-270	FUNNEL CONE	1

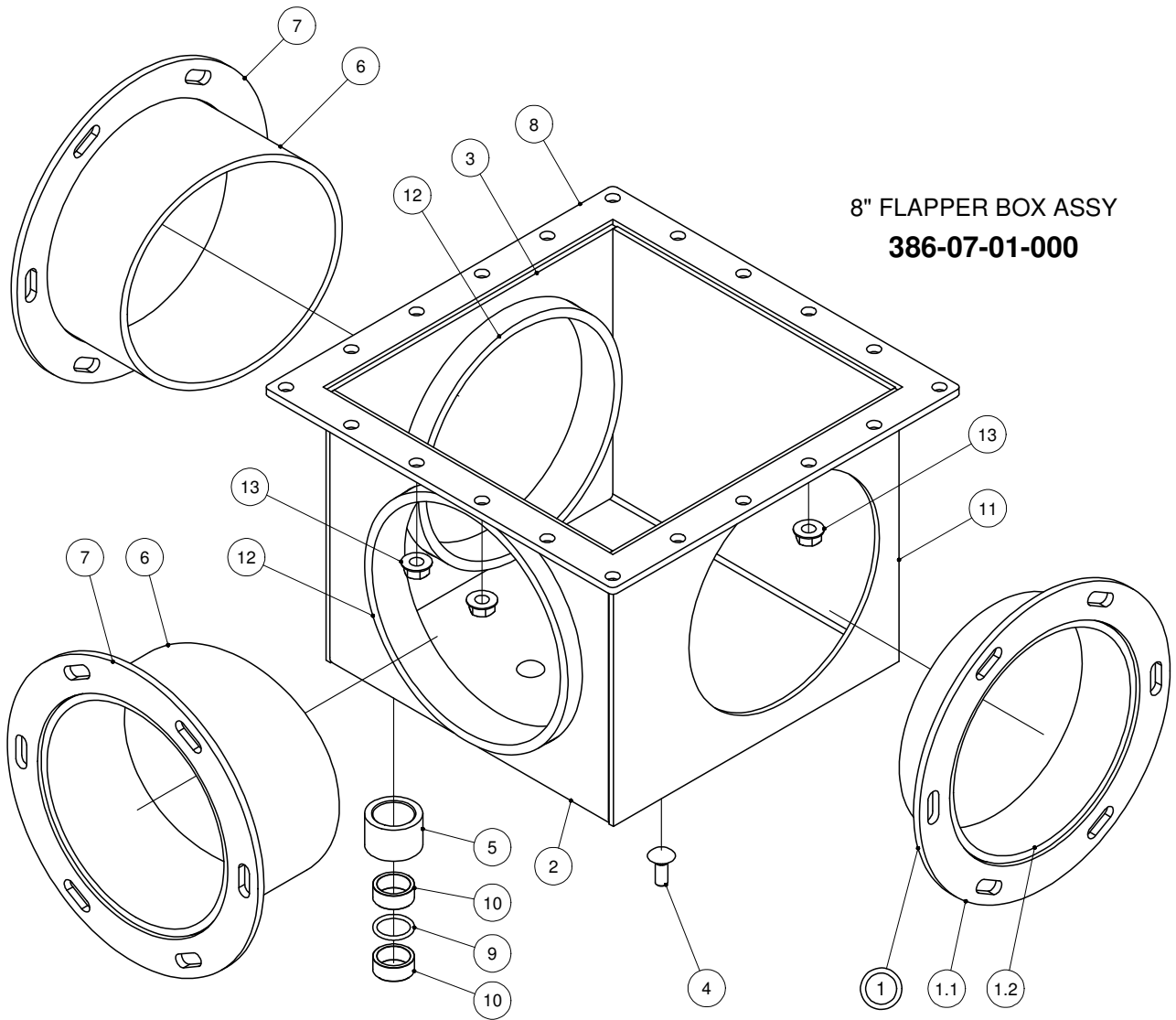
8" FLAPPER BOX KIT



**8" FLAPPER BOX KIT
386-13-00-000**

PARTS LIST				PARTS LIST			
ITEM	PART NUMBER	DESCRIPTION	QTY	ITEM	PART NUMBER	DESCRIPTION	QTY
1	386-07-01-000	8" FLAPPER BOX ASSY	1	3.2	R20225	URETHENE	1
2	386-07-05-000	COVER PLATE ASSY	1	4	386-13-01-000	HORIZONTAL CYLINDER & BRKT KIT-8"	1
2.1	386-07-05-114	COVER PLATE	1	5	364-58-11-000	FLAPPER BRKT ASSY	1
2.2	364-58-02-266	BUSHING SLEEVE	1	5.1	364-58-11-321	BRKT ARM	1
2.3	R20266	1 1/4 OD x 1 ID x 1/2 LONG BUSHING	2	5.2	364-58-11-322	ARM BRKT SLEEVE	1
2.4	R20859	O RING 1 x 1 1/4 x 1/8"	1	6	364-58-08-323	KEY	1
2.5	R07721	3/8 x 1 UNC CARRIAGE BOLT	2	7	R07906	5/16 x 3/8" SET SCREW	2
3	386-07-06-000	FLAPPER ASSY w/ URETHENE	1	8	R07879	7/16-14 UNC FLANGE NUT	20
3.1	386-07-04-000	FLAPPER ASSY	1	9	R07628	7/16 x 1 UNC HEX BOLT	17
3.1.1	386-07-04-113	FLAPPER SHAFT	1	10	R07671	7/16 x 1 1/4 UNC HEX BOLT	3
3.1.2	386-07-04-112	FLAPPER	1	11	R07794	3/8-16 UNC FLANGE NUT	1

8" FLAPPER BOX ASSY

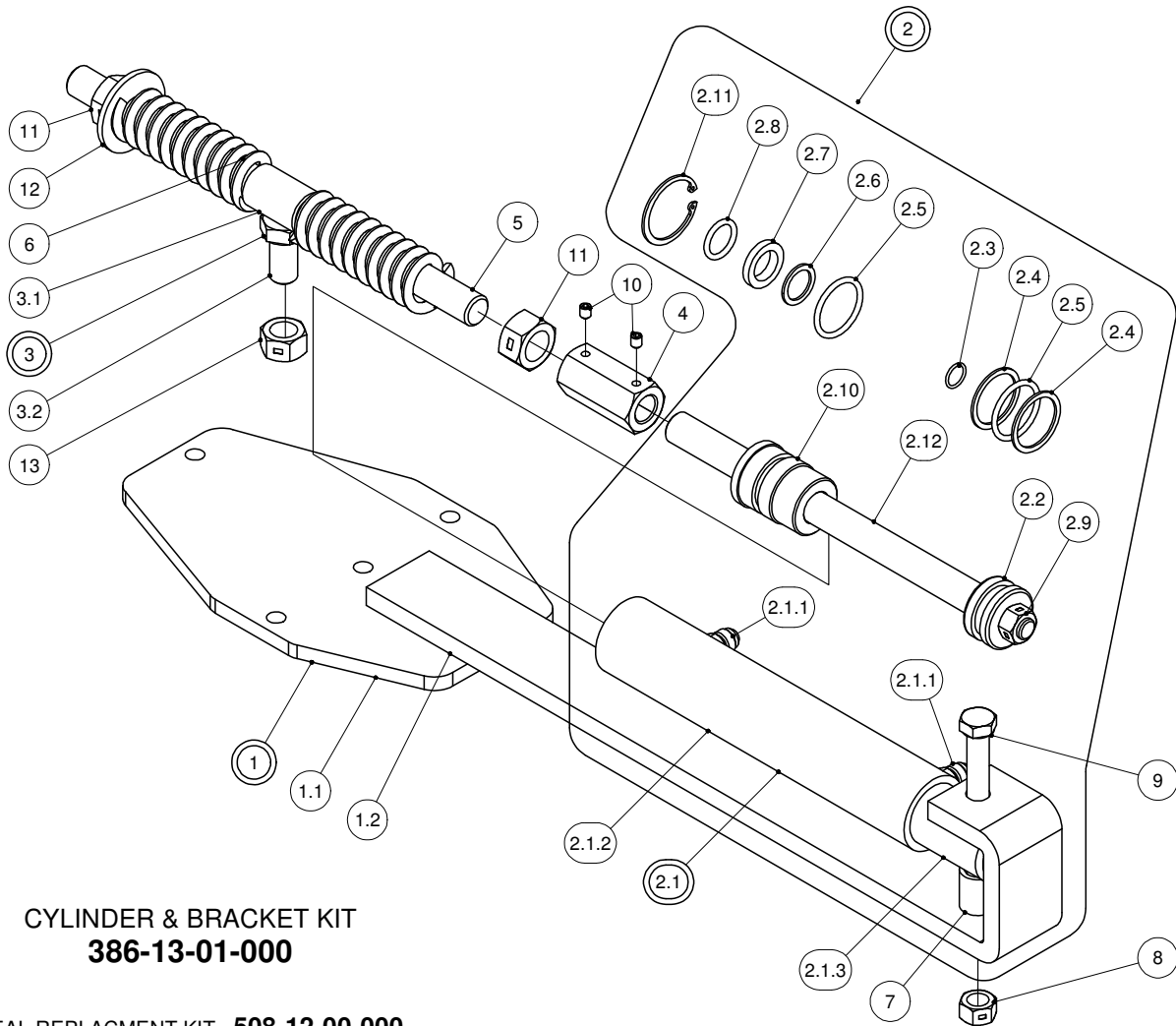


8" FLAPPER BOX ASSY
386-07-01-000

PARTS LIST

ITEM	PART NUMBER	DESCRIPTION	QTY
1	386-07-02-000	8" INLET ASSY	1
1.1	358-92-02-306	8" DISCHARGE FLANGE	1
1.2	386-07-02-110	INLET PIPE	1
2	386-07-01-107	FLAPPER BOX	1
3	386-07-01-333	BOX BOTTOM	1
4	R07721	3/8 x 1 UNC CARRIAGE BOLT	3
5	364-58-02-266	BUSHING SLEEVE	1
6	386-07-03-111	OUTLET PIPE	2
7	358-92-02-306	8" DISCHARGE FLANGE	2
8	386-07-01-109	FLANGE	1
9	R20859	O RING 1 x 1 1/4 x 1/8"	1
10	R20266	1 1/4 OD x 1 ID x 1/2 LONG BUSHING	2
11	386-07-01-108	BOX TOP	1
12	386-07-01-332	8in BODY SLEEVE	2
13	R07879	7/16-14 UNC FLANGE NUT	4

8in CYLINDER & BRKT KIT

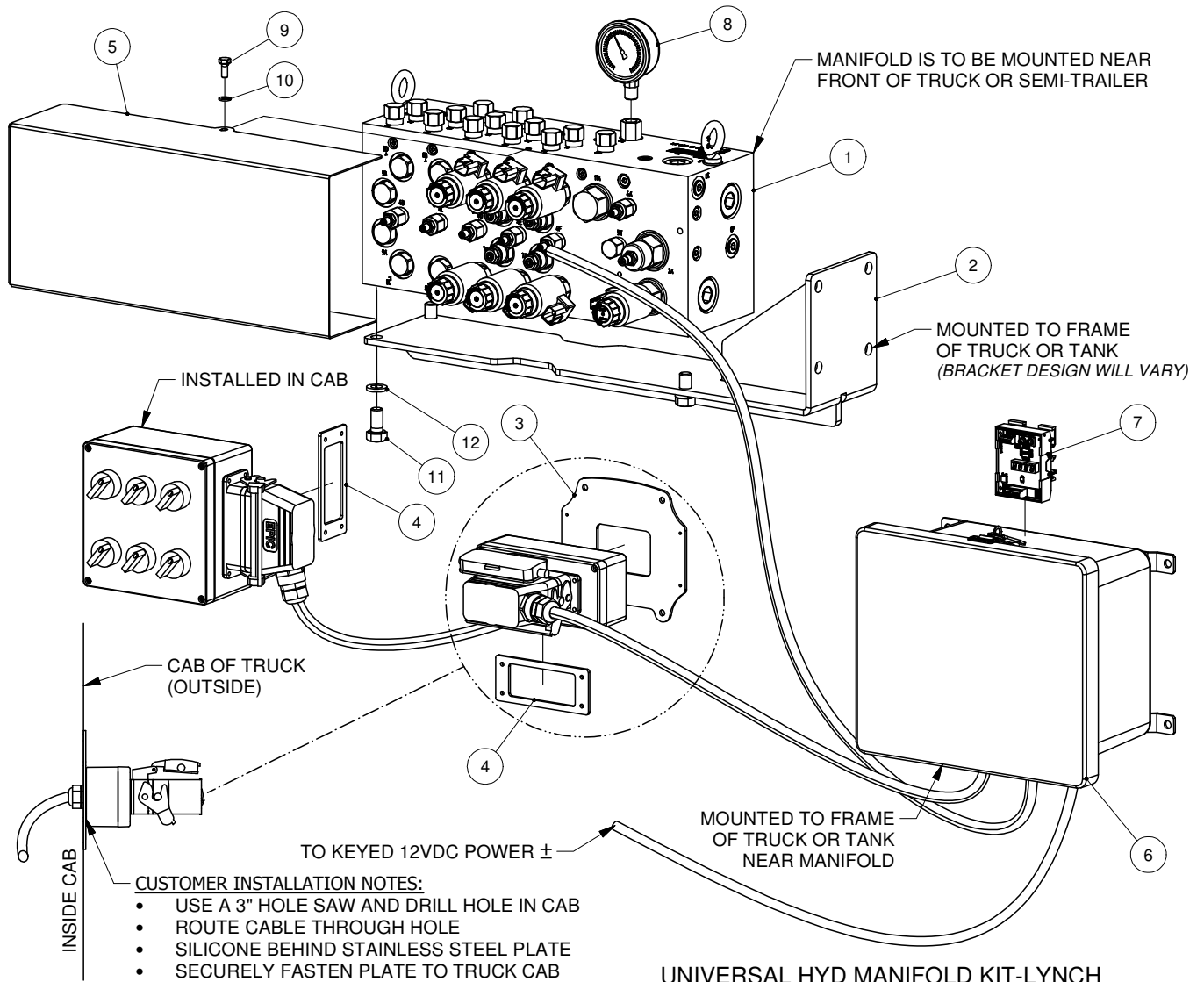


CYLINDER & BRACKET KIT 386-13-01-000

SEAL REPLACEMENT KIT - 508-12-00-000

PARTS LIST				PARTS LIST			
ITEM	PART NUMBER	DESCRIPTION	QTY	ITEM	PART NUMBER	DESCRIPTION	QTY
1	386-13-02-000	CYLINDER BRKT ASSY-8" VALVE	1	2.10	508-09-00-039	WIPER BLOCK - JIC	1
1.1	386-13-02-307	CYLINDER BRKT BOLT PLATE-8"	1	2.11	R08198	1 9/16" INTERNAL SNAP RING	1
1.2	386-13-02-342	CYLINDER BRKT (HOR CYLINDER)	1	2.12	275-15-00-122	HYDRAULIC CYLINDER SHAFT	1
2	508-11-00-000	DEFLECTOR CYL COMPLETE - JIC	1	3	364-58-10-000	PIVOT AND SLEEVE ASSY	1
2.1	508-11-01-000	DEFLECTOR CYL TUBE ASSY - JIC	1	3.1	364-58-10-320	PIVOT SLEEVE	1
2.1.1	R23151	3/8" M. JIC WELD FITTING	2	3.2	R07673	5/8 x 1 1/4 UNC HEX BOLT	1
2.1.2	508-11-01-038	DEFLECTOR CYL TUBE - JIC	1	4	364-58-08-257	3/4" COUPLER	1
2.1.3	508-11-01-042	DEFLECTOR CYL END CAP - JIC	1	5	364-58-08-319	EXTENSION SHAFT	1
2.2	340-36-00-435	CYLINDER PLUNGER	1	6	R08033	HP 68 x 3/4 x 4" SPRING	2
2.3	R20865	O-RING #11-014	1	7	364-58-08-318	SPACER PIPE	1
2.4	R20867	BACKUP RING #8-218	2	8	R07885	1/2-13 UNC 2-WAY LOCK NUT	1
2.5	R20866	O-RING #11-218	2	9	R07643	1/2 x 4 UNC HEX BOLT	1
2.6	R20862	3/4" BACKUP #210	1	10	R07907	1/4 x 5/16 UNC SET SCREW	2
2.7	R20774	3/4" HYTREL ROD WIPER 52-750	1	11	R07881	3/4-10 UNC 2-WAY LOCK NUT	2
2.8	R20771	O-RING #11-210	1	12	R07827	3/4" FLAT WASHER	1
2.9	R07885	1/2-13 UNC 2-WAY LOCK NUT	1	13	R07887	5/8-11 UNC 2-WAY LOCK NUT	1

UNIVERSAL HYD MANIFOLD KIT-LYNCH



UNIVERSAL HYD MANIFOLD KIT-LYNCH 385-37-00-000

NOTES:

THIS SETUP IS FOR 4 HYDRAULIC FUNCTIONS, TO ADD ADDITIONAL FUNCTIONS ADD THE FOLLOWING:

5 FUNCTIONS:

- 2pc - R23509 - SUN DIRECTIONAL SPOOL VALVE 3W/2P
- 2pc - R23510 - SUN COIL-14VDC DEUTSCH 2-PIN

6 FUNCTIONS:

- 4pc - R23509 - SUN DIRECTIONAL SPOOL VALVE 3W/2P
- 4pc - R23510 - SUN COIL-14VDC DEUTSCH 2-PIN

*IF COUNTERBALANCE VALVE IS NEEDED R23334(x2)
CAN BE USE IN PLACE OF P/O CHECK VALVE (COMMON CAVITY)*

5 FUNCTIONS w/ P/O CHECK VALVE ON FUNCTION 6 (AUX):

- 2pc - R23509 - SUN DIRECTIONAL SPOOL VALVE 3W/2P
- 2pc - R23510 - SUN COIL-14VDC DEUTSCH 2-PIN
- 2pc - R23511 - SUN P/O CHECK VALVE CARTRIDGE

6 FUNCTIONS w/ P/O CHECK VALVE ON FUNCTION 6 (AUX):

- 4pc - R23509 - SUN DIRECTIONAL SPOOL VALVE 3W/2P
- 4pc - R23510 - SUN COIL-14VDC DEUTSCH 2-PIN
- 4pc - R23511 - SUN P/O CHECK VALVE CARTRIDGE

PARTS LIST				PARTS LIST			
ITEM	PART NUMBER	DESCRIPTION	QTY	ITEM	PART NUMBER	DESCRIPTION	QTY
1	R23504	UNIVERSAL TRUCK MANIFOLD-LYNCH	1	7	R23508	DIN RAIL MOUNT DRIVER-LYNCH	1
2	385-37-01-000	MANIFOLD MOUNT ASSY-LYNCH	1	8	R21251	2-1/2" SS PRESSURE GAUGE 3000 PSI	1
3	385-37-00-632	JUNCTION BOX TO CAB PLATE	1	9	R08233	1/4-20 UNC x 0.625 HEX BOLT SS	2
4	385-37-00-633	BULKHEAD REINFORCING PLATE	2	10	R08234	1/4 LOCK WASHER - SS	2
5	385-37-00-634	LYNCH MANIFOLD COVER	1	11	R07637	1/2-13 UNC x 1 HEX BOLT GR.5	4
6	R23353	UNIVERSAL MANIFOLD CNTL BOX-LYNCH	1	12	R07805	1/2 LOCK WASHER - ZINC	4

GUARANTEE

All Husky Farm Equipment manufactured by Husky Farm Equipment Limited is guaranteed. Guarantee covers all the replacement cost or repair of all parts said to be defective from manufacture. Guarantee also covers labour installing said parts, if installed at Husky Manufacturing plant. Time and use is the essence of the guarantee. If equipment is used on a private property for an individual's use, guarantee will be in effect for twelve months from date of invoice. If equipment is used for commercial use to do custom work for money then guarantee will be in effect for three months only from date of invoice.

EXEMPTIONS FROM GUARANTEE

Cost of transportation of equipment to or from Husky Farm Equipment Limited either by customer or by Husky's service staff or cost of mail or public transportation is not covered. Tires and electric or hydraulic motors are covered by manufacturer's warranty and although Husky may assist to get warranty, Husky will not be responsible other than that allowed by manufacturer's warranty. Items subject to normal wear from use not covered by guarantee if faulty part is simply worn.