

Date Purchased \_\_\_\_\_ Machine Serial No. \_\_\_\_\_

The key number system in this parts book is arranged as follows:

- ◎ - Key numbers with two circles denotes main assemblies.
- - Key numbers with one circle are individual parts

Please order parts by number

# HUSKY FARM EQUIPMENT

## 8" SWING BOOM KIT

**386-05-00-000** – CYL/18000L Profile

**385-05-00-000** – CYL/15000L Profile

**385-11-00-000** – Hydraulic Motor



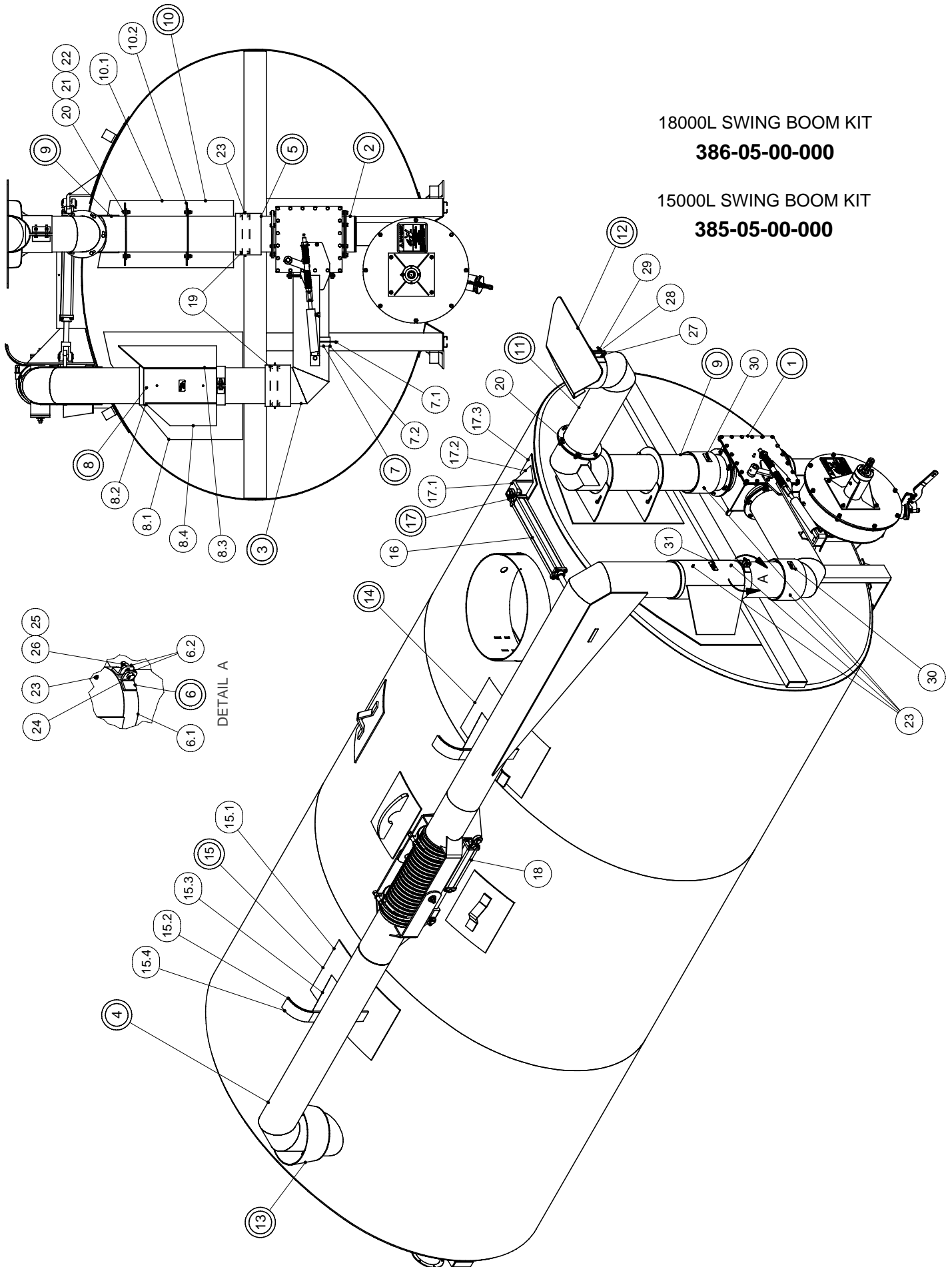
# 8" SWING BOOM KIT - HYD CYL

18000L SWING BOOM KIT

**386-05-00-000**

15000L SWING BOOM KIT

**385-05-00-000**

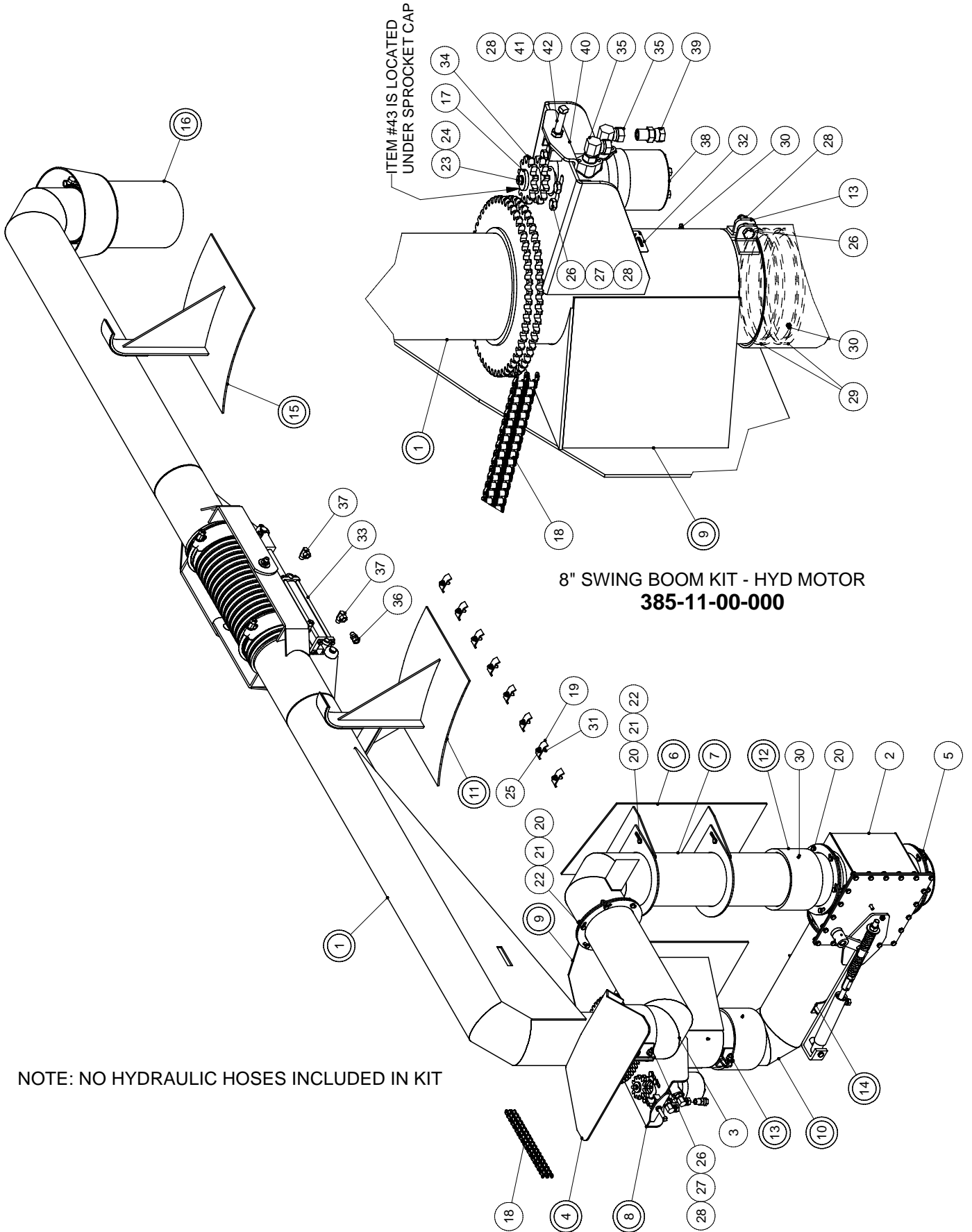


## 8" SWING BOOM KIT - HYD CYL

PARTS LIST				PARTS LIST			
ITEM	PART NUMBER	DESCRIPTION	QTY	ITEM	PART NUMBER	DESCRIPTION	QTY
1	386-13-00-000	8" FLAPPER BOX KIT W/ HYD CYL.	1	14	386-05-06-000	8" BOOM HOLDER - 18000L PROFILE	1
2	385-05-03-000	HOUSING TO VALVE CONN ASSY -8"	1		385-05-06-000	8" BOOM HOLDER - 15000L PROFILE	1
3	386-05-04-000	8" CROSS PIPE	1	15	386-05-14-000	8" BOOM HOLDER-LESS LEG	1
4	386-05-13-000	8" BOOM ASSY COMPETE w/ SNORKEL - 18000L PROFILE	1	15.1	386-05-06-125	BASE PLATE - 18000L PROFILE	1
				15.2	386-05-06-126	HOLDER BRKT	1
	385-05-10-000	8" BOOM ASSY COMPLETE w/ SNORKEL - 15000L PROFILE	1	15.3	386-05-06-131	REAR GUSSET - 18000L PROFILE	1
				15.4	386-05-06-127	PLASTIC BACK	1
5	386-05-10-000	8" DOUBLE SEAL HOLDER ASSY	1	16	R20732	2 x 20 HYDRAULIC CYLINDER	1
6	386-05-11-000	8" CLAMP ASSY	1	17	384-06-19-000	CYLINDER BRKT ASSY	1
6.1	386-05-11-166	CLAMP SLEEVE	1	17.1	384-06-19-199	CYLINDER BRKT	1
6.2	386-05-11-167	ANGLE BRKT	2	17.2	384-06-19-200	GUSSET	2
7	386-05-12-000	SADDLE ASSY	1	17.3	384-06-19-201	TANK REINFORCING PLATE	1
7.1	386-05-12-150	SADDLE HOLDER	1	18	R20725	2 x 8 HYDRAULIC CYLINDER	1
7.2	386-05-12-149	SADDLE	1	19	R02360	8" SQ RAINWAY/HUSKY GASKET	4
8	385-05-08-000	8" BOOM VERTICAL SUPPORT ASSY	1	20	R07671	7/16 x 1 1/4 HEX BOLT	28
8.1	384-06-06-049	SUPPORT BACK PLATE	1	21	R07784	7/16 HEX NUT	28
8.2	386-05-08-135	SUPPORT PIPE	1	22	R07804	7/16 LOCK WASHER	28
8.3	386-05-08-136	RH SUPPORT GUSSET	1	23	R08183	1/4" - 28 STRAIGHT GREASE FITTING	6
8.4	386-05-08-137	LH SUPPORT GUSSET	1	24	R07639	1/2 x 2 HEX BOLT	1
9	385-05-09-000	8" VERTICAL DISCHARGE PIPE ASSY	1	25	R07805	1/2 LOCK WASHER	1
10	385-05-04-000	8" VERTICAL DISCHARGE PIPE HOLDER ASSY	1	26	R07785	1/2 HEX NUT	1
				27	R07622	3/8 x 2 1/2 HEX BOLT	2
10.1	385-05-04-144	PIPE HOLDER BACK PLATE	1	28	R07803	3/8 LOCK WASHER	2
10.2	357-47-00-226	8" TANK MOUNT BRKT	2	29	R07783	3/8 HEX NUT	2
11	358-92-03-000	8" EXTENSION PIPE ASSY	1	30	R09662	SYN. GREASE DECAL	2
12	358-92-04-000	8" SPLASH PLATE ASSY	1	31	R09582	GREASE SYMBOL DECAL	1
13	386-08-00-000	8" DRIP FUNNEL	1				

HYDRAULIC HOSES & FITTINGS (NOT SHOWN IN DRAWING)		
PART NUMBER	DESCRIPTION	QTY
290-00-00-167	HYDRAULIC HOSE CLIPS	20
384-06-11-000	HYDRAULIC HOSE ASSY - CAB TO VALVE	2
384-06-12-000	HYDRAULIC HOSE ASSY - CAB TO SWING CYLINDER	1
384-06-13-000	HYDRAULIC HOSE ASSY - CAB TO SWING CYLINDER	1
384-06-14-000	HYDRAULIC HOSE ASSY - CAB TO TIP CYLINDER	1
384-06-15-000	HYDRAULIC HOSE ASSY - CAB TO TIP CYLINDER	1
R22366	3/8 NPT STEEL ELBOW	6
R21336	61SA06X06 RESTRICTOR	3

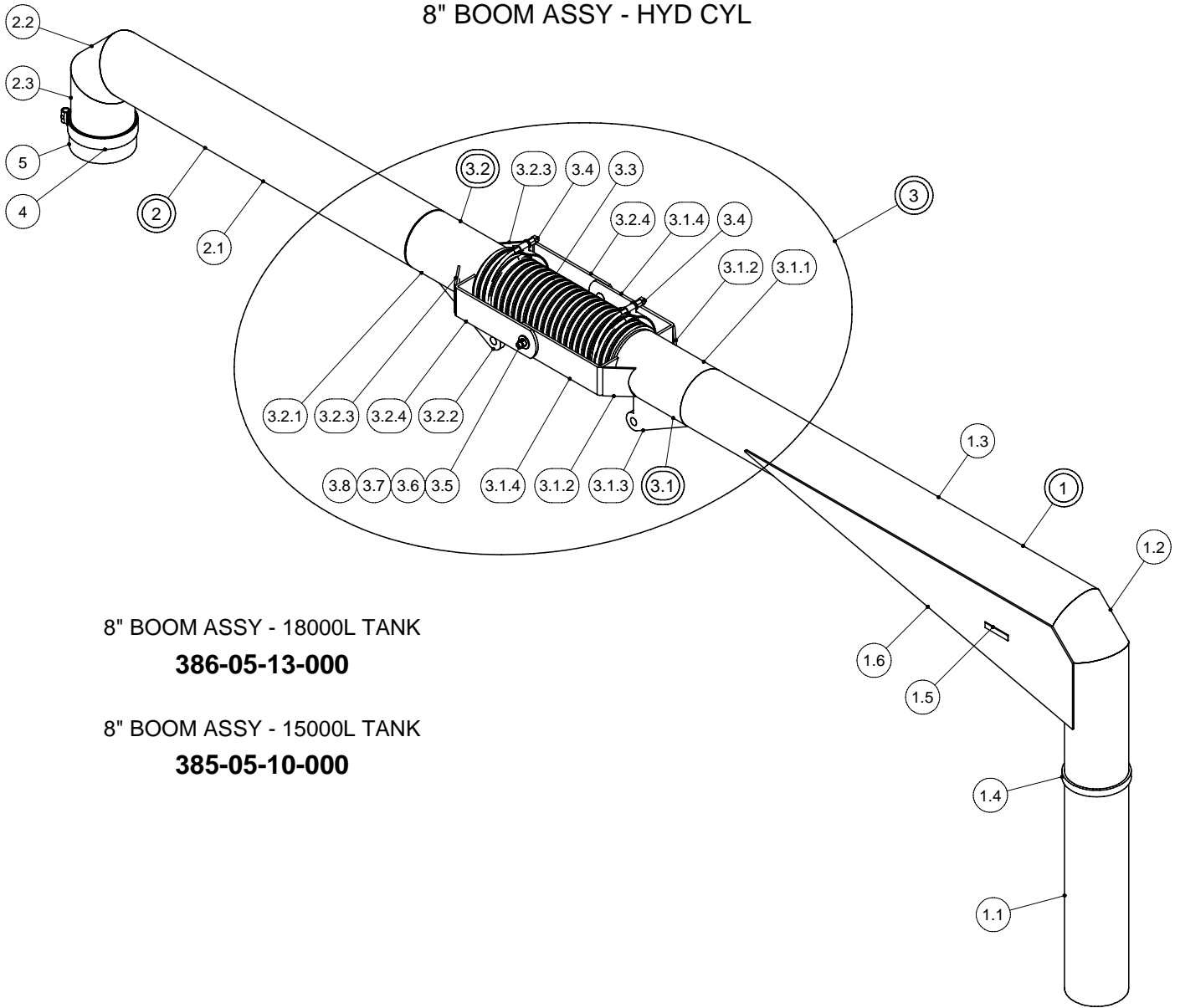
# 8" SWING BOOM - HYD MOTOR



## 8" SWING BOOM - HYD MOTOR

PARTS LIST			
ITEM	PART NUMBER	DESCRIPTION	QTY
1	385-11-01-000	8" BOOM ASSY COMPLETE w/ SNORKEL	1
2	386-13-00-000	8" FLAPPER BOX KIT W/ HYD CYL.	1
3	358-92-03-000	8" EXTENSION PIPE ASSY	1
4	358-92-04-000	8" SPLASH PLATE ASSY	1
5	385-05-03-000	HOUSING TO VALVE CONN ASSY -8"	1
6	385-05-04-000	8" VERTICAL DISCHARGE PIPE HOLDER ASSY	1
7	385-05-09-000	8" VERTICAL DISCHARGE PIPE ASSY	1
8	385-11-09-000	HYDRAULIC MOTOR MOUNT ASSY	1
9	385-11-04-000	8" BOOM VERTICAL SUPPORT ASSY	1
10	386-05-04-000	8" CROSS PIPE	1
11	386-05-06-000	8" BOOM HOLDER	1
12	386-05-10-000	8" DOUBLE SEAL HOLDER ASSY	1
13	386-05-11-000	8" CLAMP ASSY	1
14	386-05-12-000	SADDLE ASSY	1
15	386-05-14-000	8" BOOM HOLDER-LESS LEG	1
16	386-08-00-000	8" DRIP FUNNEL	1
17	385-11-00-328	SPROCKET CAP	1
18	385-11-00-323	60-18 DOUBLE ROLLER CHAIN c/w CONNECTOR LINK	1
19	290-00-00-167	HYDRAULIC HOSE CLIP	8
20	R07671	7/16 x 1 1/4 UNC HEX BOLT	28
21	R07804	7/16" LOCK WASHER	28
22	R07784	7/16-14 UNC HEX NUT	28
23	R07620	3/8 x 1 1/2 UNC HEX BOLT	1
24	R07803	3/8" LOCK WASHER	1
25	R07794	3/8-16 UNC FLANGE NUT	8
26	R07639	1/2 x 2 UNC HEX BOLT	7
27	R07805	1/2" LOCK WASHER	7
28	R07785	1/2-13 UNC HEX NUT	8
29	R02360	8" SQ RAINWAY/HUSKY GASKET	4
30	R08183	1/4" - 28 STRAIGHT GREASE FITTING	6
31	R08302	3/8-16 UNC x 1 5/8" WELD STUD	8
32	R09582	GREASE SYMBOL DECAL	1
33	R20725	2 x 8 HYDRAULIC CYLINDER	1
34	R21002	D60B12 SPROCKET-1 1/4" BORE	1
35	R21322	7/8" SAE X 1/2" F NPT X 90° ADAPTOR	2
36	R21336	3/8 - 18 RESTRICTOR	1
37	R21366	3/8" x 90° NPT STREET ELBOW	2
38	R22164	DANFOSS HYD MOYOR-OMH500	1
39	R22166	1/2" NPT RESTRICTOR	1
40	385-11-00-457	TIGHTENER PLATE	1
41	R08046	1/2-13 UNC JAM NUT	1
42	R07918	1/2 x 2 UNC SQ HD SETSCREW	1
43	R07823	3/8" FLAT WASHER	3

## 8" BOOM ASSY - HYD CYL

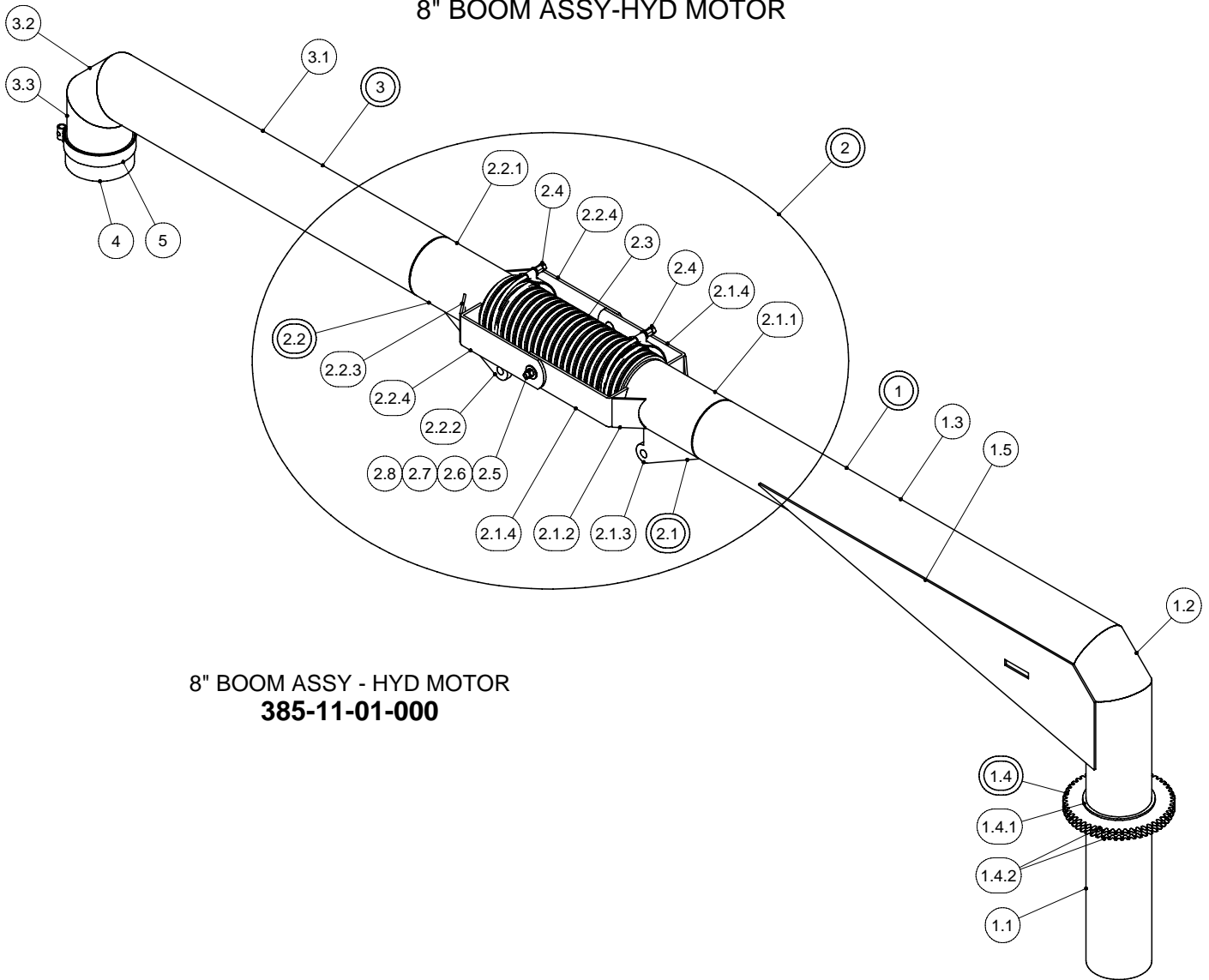


8" BOOM ASSY - 18000L TANK  
**386-05-13-000**

8" BOOM ASSY - 15000L TANK  
**385-05-10-000**

PARTS LIST				PARTS LIST			
ITEM	PART NUMBER	DESCRIPTION	QTY	ITEM	PART NUMBER	DESCRIPTION	QTY
1	386-05-05-000	8" SWIVEL PIPE ASSY-18000L PROFILE	1	3.1.2	386-05-01-094	GUSSET	2
	385-05-05-000	8" SWIVEL PIPE ASSY - 15000L PROFILE	1	3.1.3	384-06-04-046	HYDRAULIC CYLINDER BRKT	1
1.1	386-05-05-204	8" VERT. DISCH PIPE-18000L PROFILE	1	3.1.4	386-05-01-308	8" INNER PIVOT BRKT	2
	385-05-05-151	8" VERT. DISCH PIPE-15000L PROFILE	1	3.2	386-05-02-000	OUTER PIVOT BRKT ASSY - 8"	1
1.2	386-05-05-236	ELBOW MIDDLE PC - 18000L PROFILE	1	3.2.1	386-05-01-091	8" BARBED END	1
	385-05-05-206	ELBOW MIDDLE PC - 15000L PROFILE	1	3.2.2	384-06-04-046	HYDRAULIC CYLINDER BRKT	1
1.3	385-05-05-152	8" HORIZONTAL DISCHARGE PIPE	1	3.2.3	386-05-01-094	GUSSET	2
1.4	385-05-05-153	STOP RING	1	3.2.4	386-05-02-311	8" OUTER PIVOT BRKT	2
1.5	385-05-05-154	CYLINDER BRKT	1	3.3	386-05-03-095	8" FLEX HOSE	1
1.6	385-05-05-155	SIDE GUSSET	2	3.4	R02844	8" SPIRAL CLAMP	2
2	386-05-09-000	8" OUTER BOOM ASSY	1	3.5	R07754	5/8 x 2" CARRIAGE BOLT	2
2.1	386-05-09-138	OUTER DISCHARGE PIPE	1	3.6	384-06-21-305	SPACER PIPE	2
2.2	386-05-09-140	DISCHARGE MID PC	1	3.7	R07887	5/8 HEX NUT	2
2.3	386-05-09-139	OUTER DISCHARGE PIPE END PC	1	3.8	R07826	5/8 FLAT WASHER	2
3	386-05-03-000	8" SNORKEL KIT	1	4	R02484	8" SUCTION HOSE CLAMP	1
3.1	386-05-01-000	INNER PIVOT BRKT ASSY - 8"	1	5	386-05-00-205	8" BOOM RUBBER HOSE	1
3.1.1	386-05-01-091	8" BARBED END	1				

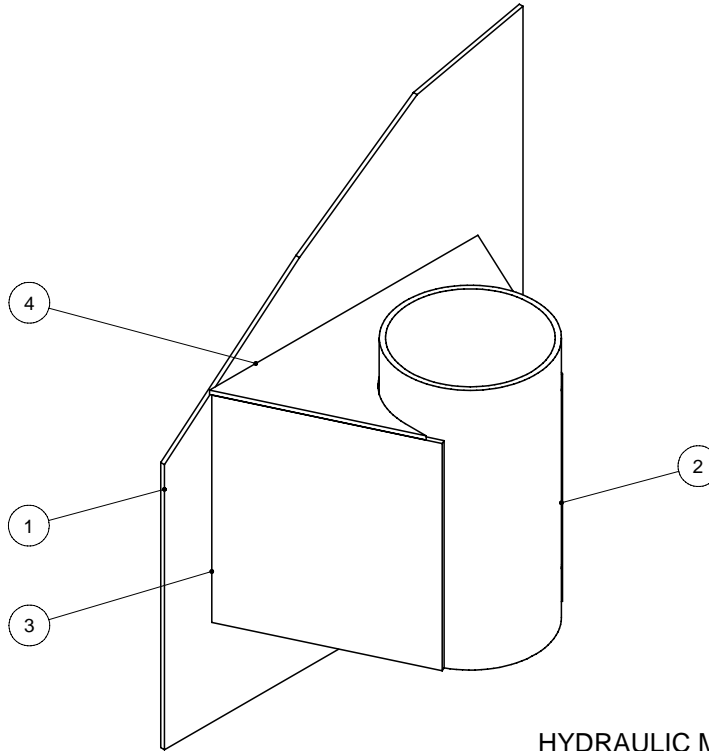
## 8" BOOM ASSY-HYD MOTOR



**8" BOOM ASSY - HYD MOTOR  
385-11-01-000**

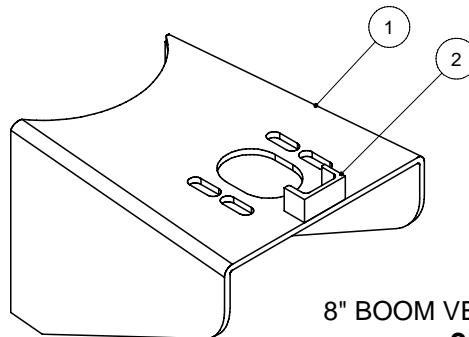
PARTS LIST				PARTS LIST			
ITEM	PART NUMBER	DESCRIPTION	QTY	ITEM	PART NUMBER	DESCRIPTION	QTY
1	385-11-02-000	8" SWIVEL PIPE ASSY FOR HYD ROTATOR	1	2.2.1	386-05-01-091	8" BARBED END	1
				2.2.2	384-06-04-046	HYDRAULIC CYLINDER BRKT	1
1.1	385-05-05-151	8" VERTICAL DISCHARGE PIPE	1	2.2.3	386-05-01-094	GUSSET	2
1.2	385-05-05-206	ELBOW MIDDLE PC	1	2.2.4	386-05-02-311	8" OUTER PIVOT BRKT	2
1.3	385-05-05-152	8" HORIZONTAL DISCHARGE PIPE	1	2.3	386-05-03-095	8" FLEX HOSE	1
1.4	385-11-05-000	SPROCKET AND SLEEVE ASSY	1	2.4	R02844	8" SPIRAL CLAMP	2
1.4.1	385-11-05-320	SPROCKET SLEEVE	1	2.5	R07754	5/8 x 2" CARRIAGE BOLT	2
1.4.2	R21003	60A54 SPROCKET-8 3/4" BORE	2	2.6	384-06-21-305	SPACER PIPE	2
1.5	385-05-05-155	SIDE GUSSET	2	2.7	R07887	5/8 HEX NUT	2
2	386-05-03-000	8" SNORKEL KIT	1	2.8	R07826	5/8 FLAT WASHER	2
2.1	386-05-01-000	INNER PIVOT BRKT ASSY - 8"	1	3	386-05-09-000	8" OUTER BOOM ASSY	1
2.1.1	386-05-01-091	8" BARBED END	1	3.1	386-05-09-138	OUTER DISCHARGE PIPE	1
2.1.2	386-05-01-094	GUSSET	2	3.2	386-05-09-140	DISCHARGE MID PC	1
2.1.3	384-06-04-046	HYDRAULIC CYLINDER BRKT	1	3.3	386-05-09-139	OUTER DISCHARGE PIPE END PC	1
2.1.4	386-05-01-308	8" INNER PIVOT BRKT	2	4	386-05-00-205	8" BOOM RUBBER HOSE	1
2.2	386-05-02-000	OUTER PIVOT BRKT ASSY - 8"	1	5	R02484	8" SUCTION HOSE CLAMP	1

## 8" SUPPORT & HYD MOTOR MOUNT ASSY



**HYDRAULIC MOTOR MOUNT ASSY**  
**385-11-03-000**

PARTS LIST			
ITEM	PART NUMBER	DESCRIPTION	QTY
1	384-06-06-049	SUPPORT BACK PLATE	1
2	386-05-08-135	SUPPORT PIPE	1
3	385-11-04-326	SIDE SUPPORT GUSSET	2
4	385-11-04-327	FILLER PLATE	1

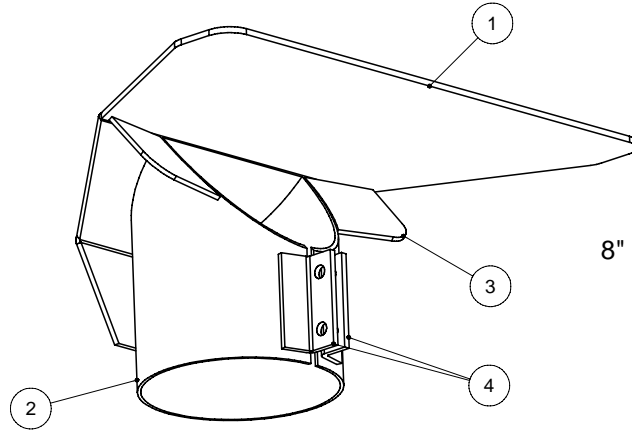


**8" BOOM VERTICAL SUPPORT ASSY**  
**385-11-09-000**

PARTS LIST			
ITEM	PART NUMBER	DESCRIPTION	QTY
1	385-11-09-455	HYDRAULIC MOTOR MOUNT	1
2	385-11-09-456	TIGHTENER BRACKET	1

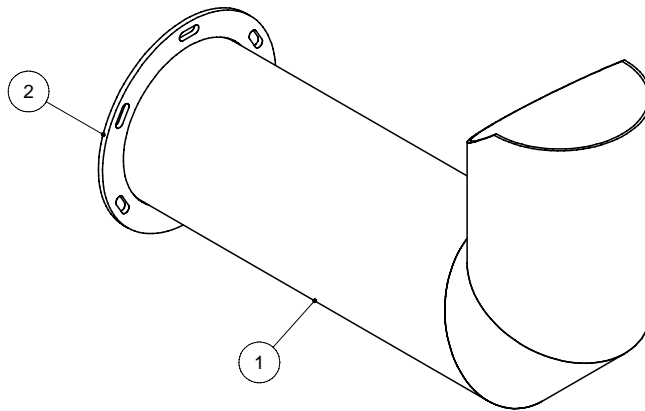


## VERTICAL DISCHARGE PARTS



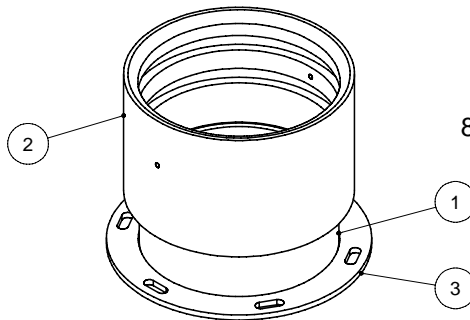
**8" SPLASH PLATE ASSY**  
**358-92-04-000**

PARTS LIST			
ITEM	PART NUMBER	DESCRIPTION	QTY
1	358-92-04-308	8" SPLASH PLATE	1
2	358-92-04-309	8" SPLASH PLATE TUBE	1
3	358-92-04-310	WING FOR 8" SPLASH PLATE	2
4	358-92-04-311	CLAMPING TUBE BRKT	2



**8" EXTENSION PIPE ASSY**  
**358-92-03-000**

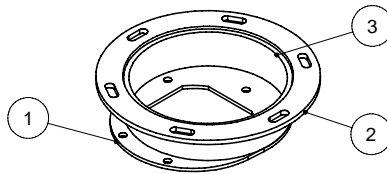
PARTS LIST			
ITEM	PART NUMBER	DESCRIPTION	QTY
1	358-92-03-307	8" EXTENSION PIPE	1
2	358-92-02-306	8" DISCHARGE FLANGE	1



**8" DOUBLE SEAL HOLDER ASSY**  
**386-05-10-000**

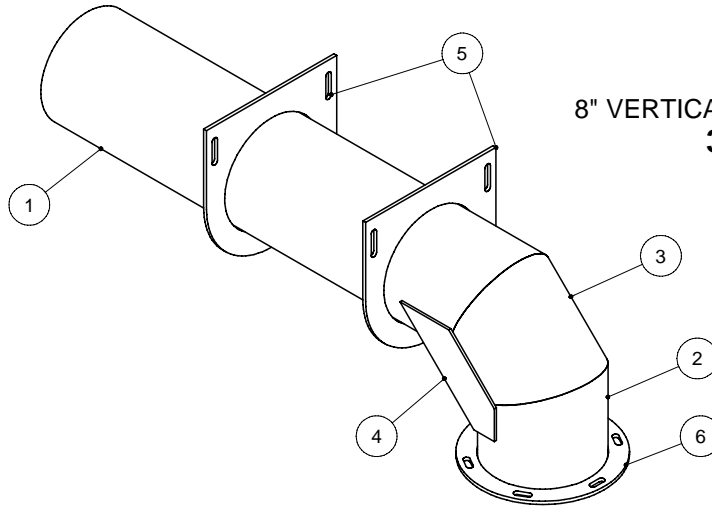
PARTS LIST			
ITEM	PART NUMBER	DESCRIPTION	QTY
1	386-05-10-141	DOUBLE SEAL HOLDER EXTENSION PIPE	1
2	386-05-01-073	8" DOUBLE SEAL HOLDER	1
3	358-92-02-306	8" DISCHARGE FLANGE	1

## VERTICAL DISCHARGE & SWING BOOM PARTS



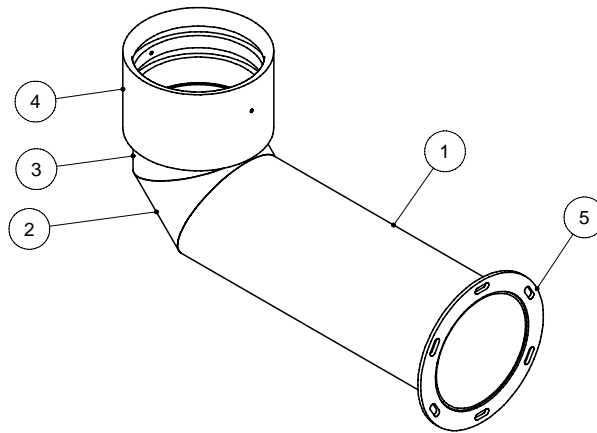
**HOUSING TO VALVE CONNECTION**  
**385-05-03-000**

PARTS LIST			
ITEM	PART NUMBER	DESCRIPTION	QTY
1	358-92-01-301	8" HOUSING DISCHARGE RING	1
2	358-92-02-306	8" DISCHARGE FLANGE	1
3	385-05-03-217	CONNECTOR TUBE	1



**8" VERTICAL DISCHARGE PIPE ASSY**  
**385-05-09-000**

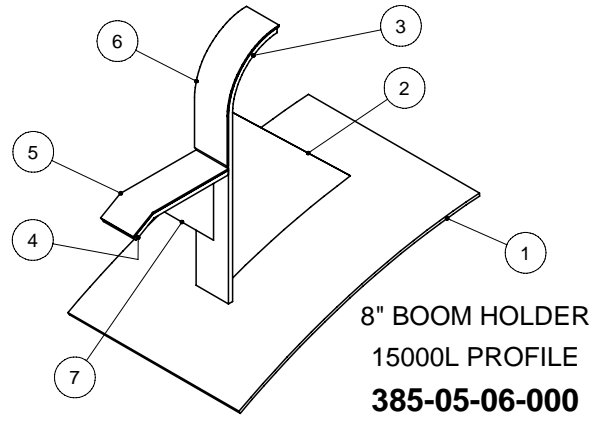
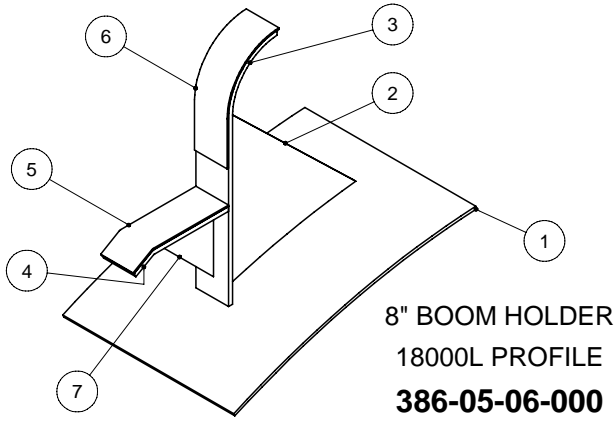
PARTS LIST				PARTS LIST			
ITEM	PART NUMBER	DESCRIPTION	QTY	ITEM	PART NUMBER	DESCRIPTION	QTY
1	385-05-09-145	8" VERTICAL DISCHARGE TUBE	1	4	384-05-02-097	GUSSET	2
2	385-05-09-146	ELBOW END PC	1	5	357-47-01-227	8" PIPE MOUNT BRKT	2
3	385-05-09-147	ELBOW MIDDLE PC	1	6	358-92-02-306	8" DISCHARGE FLANGE	1



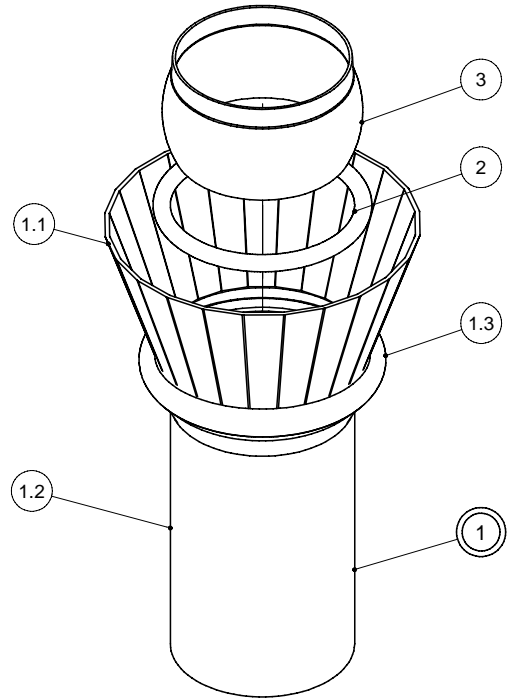
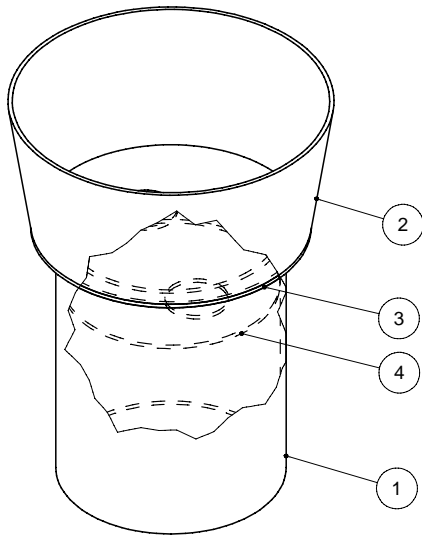
**8" CROSS PIPE ASSY**  
**386-05-04-000**

PARTS LIST				PARTS LIST			
ITEM	PART NUMBER	DESCRIPTION	QTY	ITEM	PART NUMBER	DESCRIPTION	QTY
1	386-05-04-172	8" CROSS PIPE	1	4	386-05-01-073	8" DOUBLE SEAL HOLDER	1
2	386-05-04-391	ELBOW MIDDLE PC	1	5	358-92-02-306	8" DISCHARGE FLANGE	1
3	386-05-04-173	ELBOW END PC	1				

## SWING BOOM PARTS

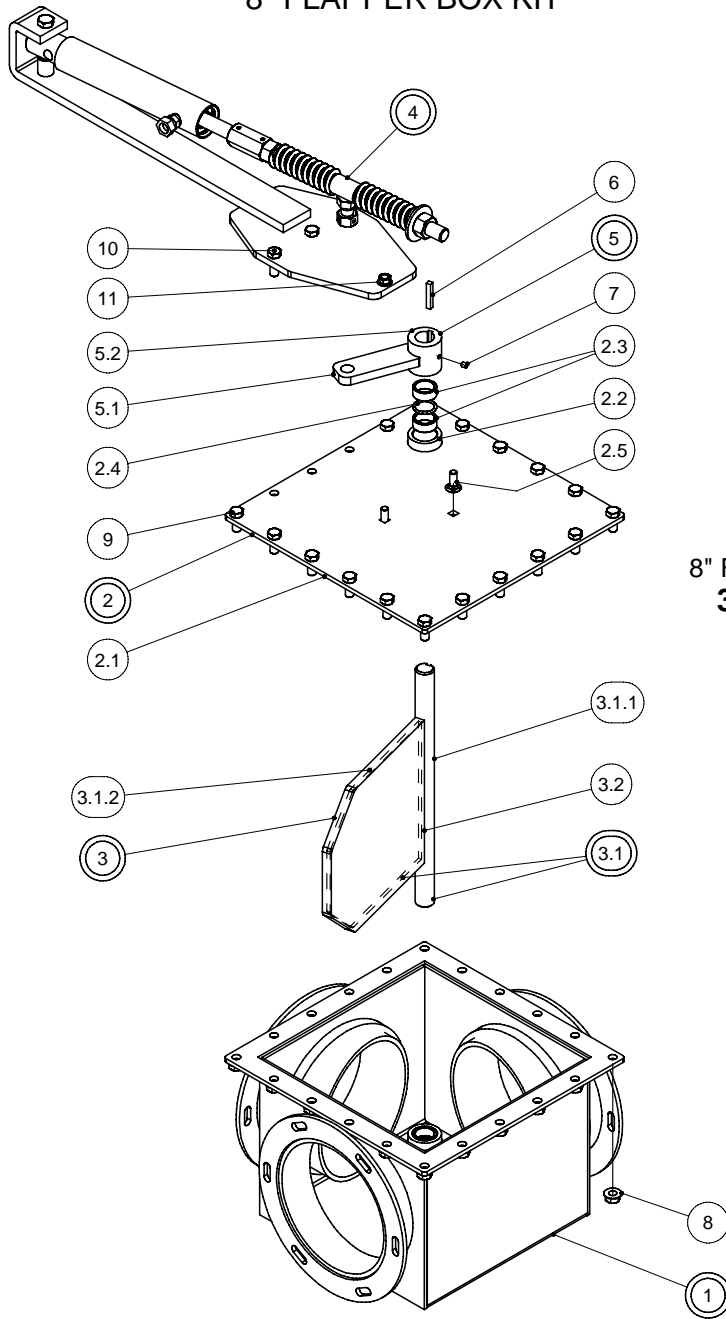


PARTS LIST				PARTS LIST			
ITEM	PART NUMBER	DESCRIPTION	QTY	ITEM	PART NUMBER	DESCRIPTION	QTY
1	386-05-06-125	BASE PLATE - 18000L PROFILE	1	1	385-05-06-143	BASE PLATE - 15000L PROFILE	1
2	386-05-06-131	REAR GUSSET - 18000L PROFILE	1	2	385-05-06-142	GUSSET 15000L PROFILE	1
3	386-05-06-126	HOLDER BRKT	1	3	386-05-06-126	HOLDER BRKT	1
4	386-05-06-128	HOLDER SEAT	1	4	386-05-06-128	HOLDER SEAT	1
5	386-05-06-130	PLASTIC SEAT	1	5	386-05-06-130	PLASTIC SEAT	1
6	386-05-06-127	PLASTIC BACK	1	6	386-05-06-127	PLASTIC BACK	1
7	386-05-06-129	GUSSET	1	7	386-05-06-129	GUSSET	1



PARTS LIST				PARTS LIST			
ITEM	PART NUMBER	DESCRIPTION	QTY	ITEM	PART NUMBER	DESCRIPTION	QTY
1	386-08-00-117	CONE TUBE	1	1	386-11-01-000	8" BAUER FUNNEL ASSY	1
2	386-08-00-115	CONE FOR 8" DRIP FUNNEL	1	1.1	386-11-01-270	FUNNEL CONE	1
3	386-08-00-116	CONE BASE PLATE	1	1.2	386-11-01-269	CONE TUBE	1
4	386-08-00-118	BAFFLE	1	1.3	R10222	8" BAUER BALL SOCKET	1
				2	R10223	8" BAUER 'O' RING	1
				3	R10220	8" BAUER BALL	1

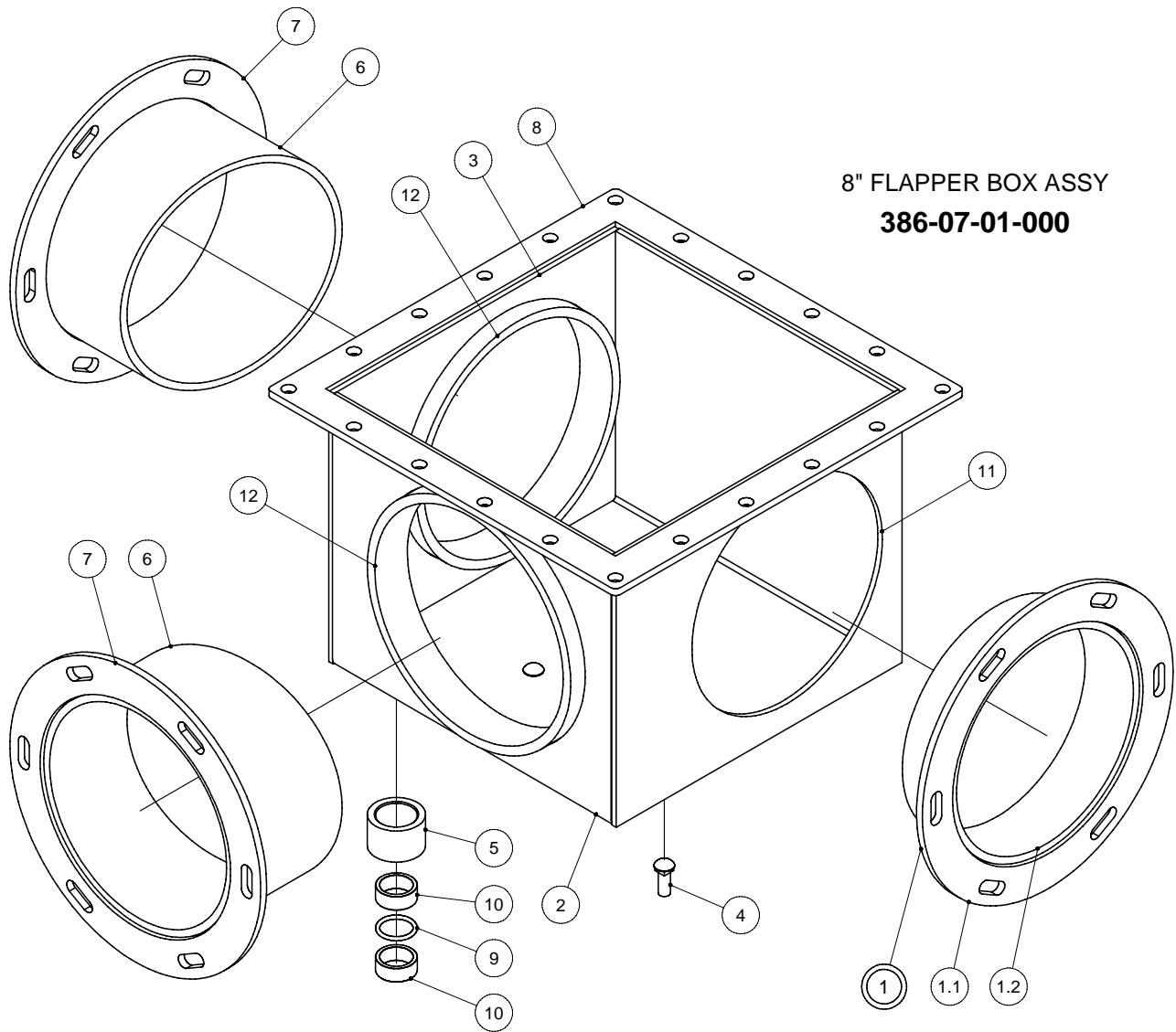
# 8" FLAPPER BOX KIT



**8" FLAPPER BOX KIT  
386-13-00-000**

PARTS LIST				PARTS LIST			
ITEM	PART NUMBER	DESCRIPTION	QTY	ITEM	PART NUMBER	DESCRIPTION	QTY
1	386-07-01-000	8" FLAPPER BOX ASSY	1	3.2	R20225	URETHENE	1
2	386-07-05-000	COVER PLATE ASSY	1	4	386-13-01-000	HORIZONTAL CYLINDER & BRKT KIT-8"	1
2.1	386-07-05-114	COVER PLATE	1	5	364-58-11-000	FLAPPER BRKT ASSY	1
2.2	364-58-02-266	BUSHING SLEEVE	1	5.1	364-58-11-321	BRKT ARM	1
2.3	R20266	1 1/4 OD x 1 ID x 1/2 LONG BUSHING	2	5.2	364-58-11-322	ARM BRKT SLEEVE	1
2.4	R20859	O RING 1 x 1 1/4 x 1/8"	1	6	364-58-08-323	KEY	1
2.5	R07721	3/8 x 1 UNC CARRIAGE BOLT	2	7	R07906	5/16 x 3/8" SET SCREW	2
3	386-07-06-000	FLAPPER ASSY w/ URETHENE	1	8	R07879	7/16-14 UNC FLANGE NUT	20
3.1	386-07-04-000	FLAPPER ASSY	1	9	R07628	7/16 x 1 UNC HEX BOLT	17
3.1.1	386-07-04-113	FLAPPER SHAFT	1	10	R07671	7/16 x 1 1/4 UNC HEX BOLT	3
3.1.2	386-07-04-112	FLAPPER	1	11	R07794	3/8-16 UNC FLANGE NUT	1

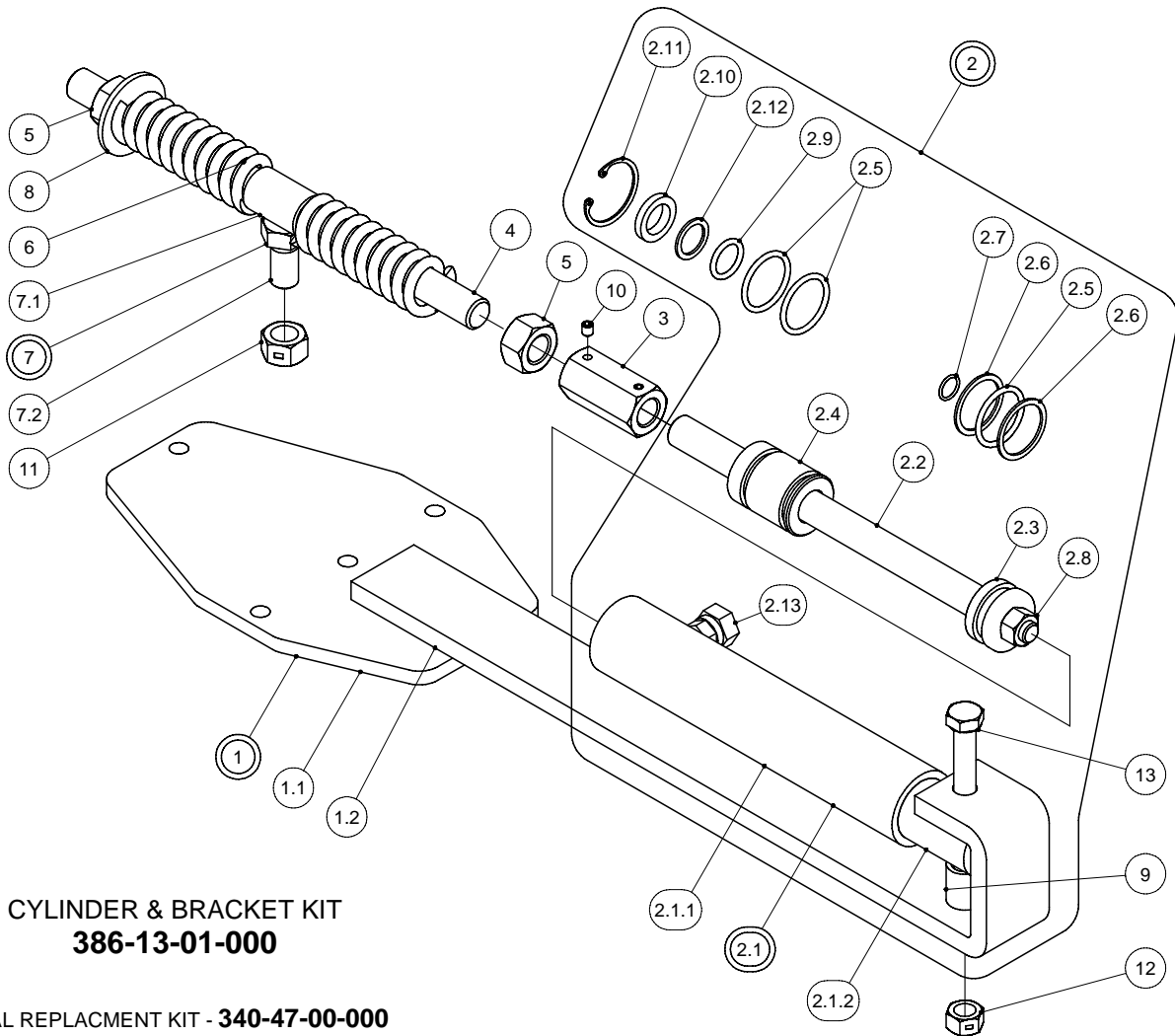
# 8" FLAPPER BOX ASSY



## PARTS LIST

ITEM	PART NUMBER	DESCRIPTION	QTY
1	386-07-02-000	8" INLET ASSY	1
1.1	358-92-02-306	8" DISCHARGE FLANGE	1
1.2	386-07-02-110	INLET PIPE	1
2	386-07-01-107	FLAPPER BOX	1
3	386-07-01-333	BOX BOTTOM	1
4	R07721	3/8 x 1 CARRIAGE BOLT	3
5	364-58-02-266	BUSHING SLEEVE	1
6	386-07-03-111	OUTLET PIPE	2
7	358-92-02-306	8" DISCHARGE FLANGE	2
8	386-07-01-109	FLANGE	1
9	R20859	O RING 1 x 1 1/4 x 1/8"	1
10	R20266	1 1/4 OD x 1 ID x 1/2 LONG BUSHING	2
11	386-07-01-108	BOX TOP	1
12	386-07-01-332	8in BODY SLEEVE	2

# CYLINDER & BRKT KIT



## CYLINDER & BRACKET KIT 386-13-01-000

SEAL REPLACEMENT KIT - 340-47-00-000

PARTS LIST				PARTS LIST			
ITEM	PART NUMBER	DESCRIPTION	QTY	ITEM	PART NUMBER	DESCRIPTION	QTY
1	386-13-02-000	CYLINDER BRKT ASSY-8" VALVE	1	2.11	R07967	1 1/2" 3000 x 150 INTERNAL SNAP RING	1
1.1	386-13-02-307	CYLINDER BRKT BOLT PLATE-8"	1	2.12	R20862	3/4" BACKUP #210	1
1.2	386-13-02-342	CYLINDER BRKT (HOR CYLINDER)	1	2.13	R21287	1/4M x 3/8 SWIVEL ADAPTER	1
2	275-15-00-000	HYDRAULIC CYLINDER ASSY	1	3	364-58-08-257	3/4" COUPLER	1
2.1	275-14-00-000	CYLINDER TUBE w/ LUG ASSY	1	4	364-58-08-319	EXTENSION SHAFT	1
2.1.1	250-70-28-155	CYLINDER TUBE	1	5	R07881	3/4 - 2 WAY LOCK NUT	2
2.1.2	275-14-00-076	CYLINDER END CAP	1	6	R08033	HP 68 x 3/4 x 4" SPRING	2
2.2	275-15-00-122	HYDRAULIC CYLINDER SHAFT	1	7	364-58-10-000	PIVOT AND SLEEVE ASSY	1
2.3	340-36-00-435	CYLINDER PLUNGER	1	7.1	364-58-10-320	PIVOT SLEEVE	1
2.4	340-36-00-434	WIPER BLOCK	1	7.2	R07673	5/8 x 1 1/4" UNC HEX BOLT	1
2.5	R20866	O-RING #11-218	3	8	R07827	3/4" FLAT WASHER	1
2.6	R20867	BACKUP RING #8-218	2	9	364-58-08-318	SPACER PIPE	1
2.7	R20865	O-RING #11-014	1	10	R07906	5/16 x 3/8" SET SCREW	2
2.8	R07885	1/2 - 2 WAY LOCK NUT	1	11	R07887	5/8 HEX NUT	1
2.9	R20771	O-RING #11-210	1	12	R07885	1/2-13 UNC 2-WAY LOCK NUT	1
2.10	R20774	3/4" HYTREL ROD WIPER 52-750	1	13	R07643	1/2 x 4 UNC HEX BOLT	1