

Pages 7 & 9 have been changed

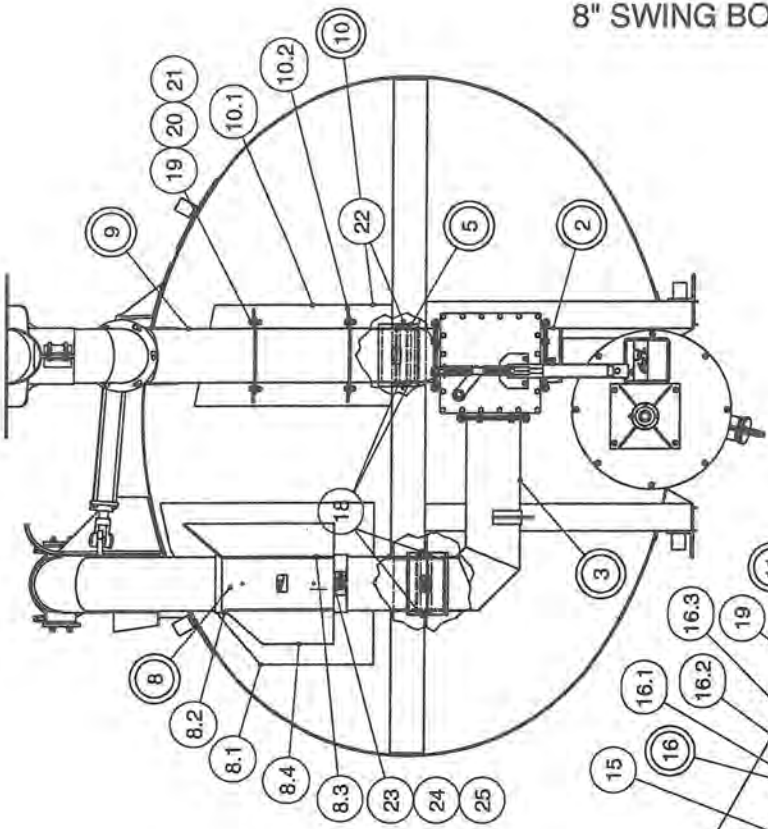
Office Copy
Feb 11/55 - 13 made
June 1 - 8"
July 27/56 - 4"
Jan 12/57 - 4"
Feb 15/57 - 4"



8"

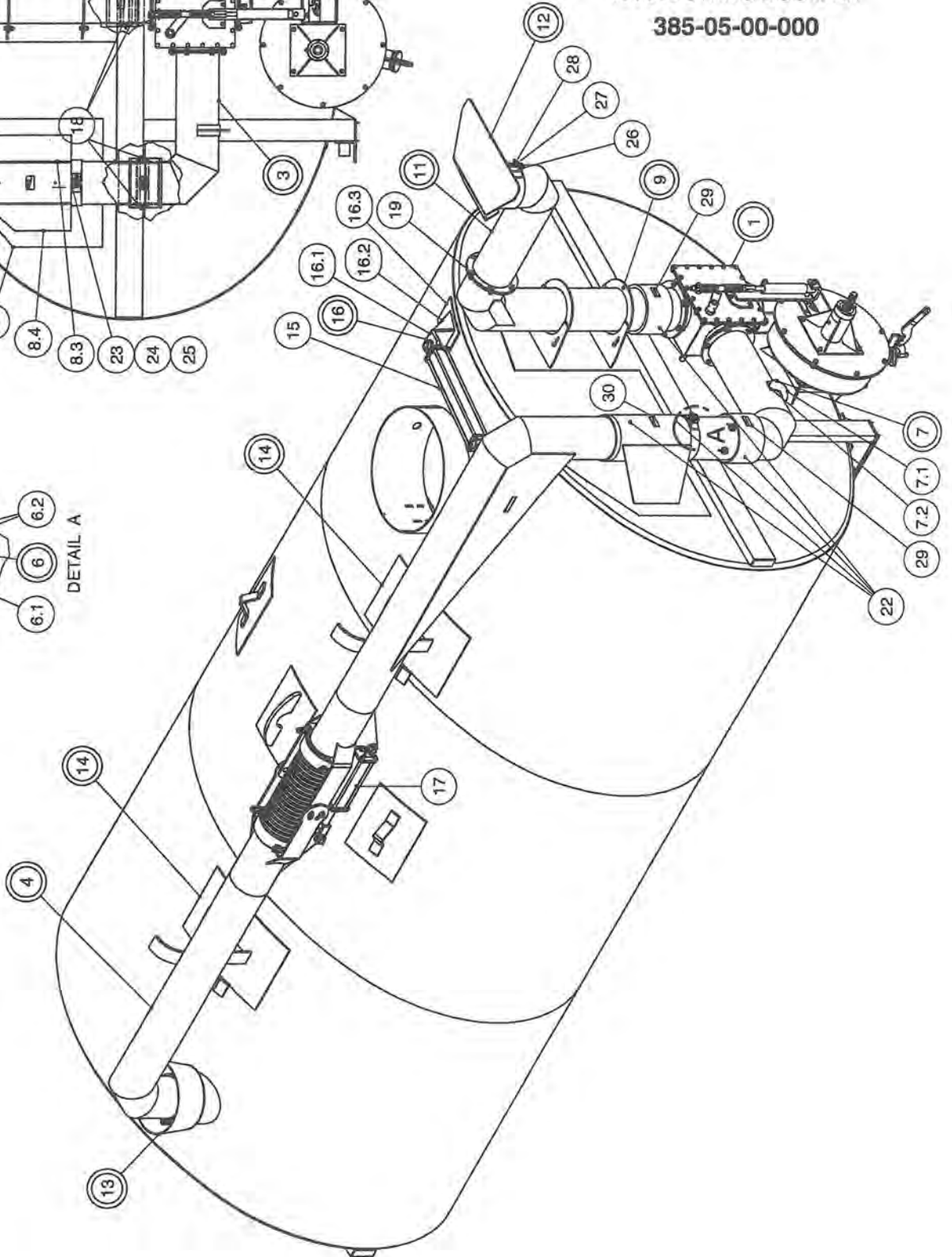
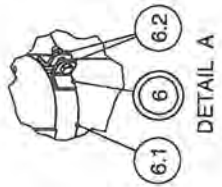
SWING
BOOM
KIT

8" SWING BOOM KIT



18000L SWING BOOM KIT
386-05-00-000

15000L SWING BOOM KIT
385-05-00-000

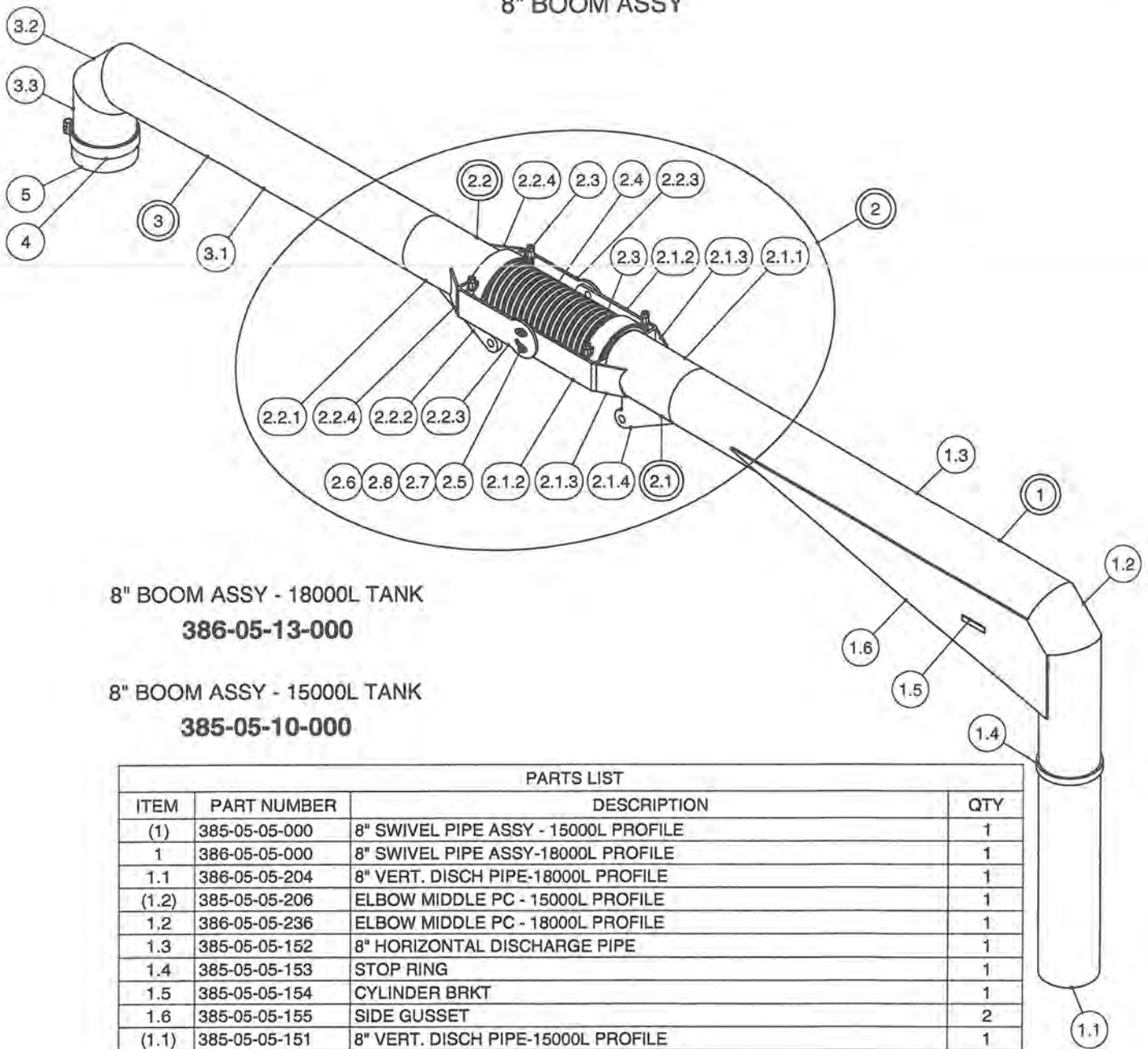


8" SWING BOOM KIT

PARTS LIST			
ITEM	PART NUMBER	DESCRIPTION	QTY
1	386-12-00-000	8" FLAPPER BOX KIT COMPLETE	1
2	385-05-03-000	HOUSING TO VALVE CONN ASSY -8"	1
3	386-05-04-000	8" CROSS PIPE	1
4	386-05-13-000	8" BOOM ASSY COMPLETE w/ SNORKEL - 18000L PROFILE	1
	385-05-10-000	8" BOOM ASSY COMPLETE w/ SNORKEL - 15000L PROFILE	1
5	386-05-10-000	8" DOUBLE SEAL HOLDER ASSY	1
6	386-05-11-000	6" CLAMP ASSY	1
6.1	386-05-11-166	CLAMP SLEEVE	1
6.2	386-05-11-167	ANGLE BRKT	2
7	386-05-12-000	SADDLE ASSY	1
7.1	386-05-12-150	SADDLE HOLDER	1
7.2	386-05-12-149	SADDLE	1
8	385-05-08-000	8" BOOM VERTICAL SUPPORT ASSY	1
8.1	384-06-06-049	SUPPORT BACK PLATE	1
8.2	386-05-08-135	SUPPORT PIPE	1
8.3	386-05-08-136	RH SUPPORT GUSSET	1
8.4	386-05-08-137	LH SUPPORT GUSSET	1
9	385-05-09-000	8" VERTICAL DISCHARGE PIPE ASSY	1
10	385-05-04-000	8" VERTICAL DISCHARGE PIPE HOLDER ASSY	1
10.1	385-05-04-144	PIPE HOLDER BACK PLATE	1
10.2	357-47-00-226	8" TANK MOUNT BRKT	2
11	358-92-03-000	8" EXTENSION PIPE ASSY	1
12	358-92-04-000	8" SPLASH PLATE ASSY	1
13	386-08-00-000	8" DRIP FUNNEL	1
14	386-05-06-000	8" BOOM HOLDER - 18000L PROFILE	2
	385-05-06-000	8" BOOM HOLDER - 15000L PROFILE	2
15	R20732	2 x 20 HYD CYLINDER	1
16	384-06-19-000	CYLINDER BRKT ASSY	1
16.1	384-06-19-199	CYLINDER BRKT	1
16.2	384-06-19-200	GUSSET	2
16.3	384-06-19-201	TANK REINFORCING PLATE	1
17	R20725	2 x 8 HYD CYLINDER	1
18	R02360	8" SQ RAINWAY GASKET	4
19	R07671	7/16 x 1 1/4 HEX BOLT	28
20	R07784	7/16 HEX NUT	28
21	R07804	7/16 LOCK WASHER	28
22	R08183	1/4" - 28 STRAIGHT GREASE FITTING	6
23	R07639	1/2 x 2 HEX BOLT	1
24	R07805	1/2 LOCK WASHER	1
25	R07785	1/2 HEX NUT	1
26	R07622	3/8 x 2 1/2 HEX BOLT	2
27	R07803	3/8 LOCK WASHER	2
28	R07783	3/8 HEX NUT	2
29	R09662	SYN. GREASE DECAL	2
30	R09582	GREASE SYMBOL DECAL	1

HYDRAULIC HOSES & FITTINGS (NOT SHOWN IN DRAWING)		
PART NUMBER	DESCRIPTION	QTY
290-00-00-167	HYDRAULIC HOSE CLIPS	20
384-06-11-000	HYDRAULIC HOSE ASSY - CAB TO VALVE	2
384-06-12-000	HYDRAULIC HOSE ASSY - CAB TO SWING CYLINDER	1
384-06-13-000	HYDRAULIC HOSE ASSY - CAB TO SWING CYLINDER	1
384-06-14-000	HYDRAULIC HOSE ASSY - CAB TO TIP CYLINDER	1
384-06-15-000	HYDRAULIC HOSE ASSY - CAB TO TIP CYLINDER	1
R22366	3/8 NPT STEEL ELBOW	6
R21336	61SA06X06 RESTRICTOR	3

8" BOOM ASSY



8" BOOM ASSY - 18000L TANK

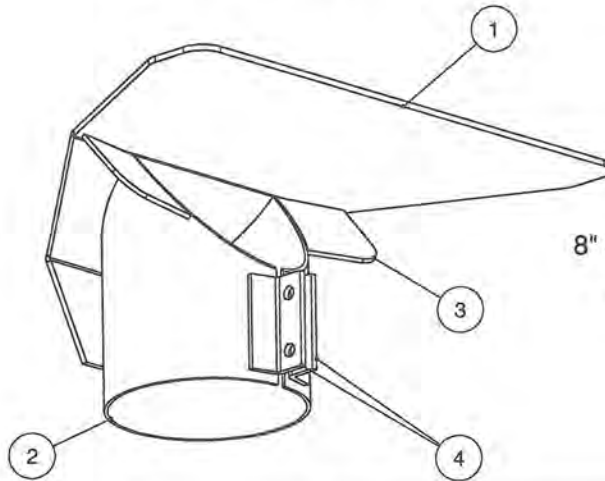
386-05-13-000

8" BOOM ASSY - 15000L TANK

385-05-10-000

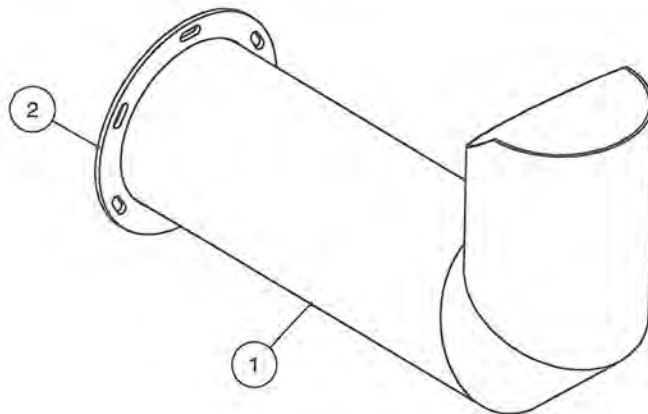
PARTS LIST			
ITEM	PART NUMBER	DESCRIPTION	QTY
(1)	385-05-05-000	8" SWIVEL PIPE ASSY - 15000L PROFILE	1
1	386-05-05-000	8" SWIVEL PIPE ASSY-18000L PROFILE	1
1.1	386-05-05-204	8" VERT. DISCH PIPE-18000L PROFILE	1
(1.2)	385-05-05-206	ELBOW MIDDLE PC - 15000L PROFILE	1
1.2	386-05-05-236	ELBOW MIDDLE PC - 18000L PROFILE	1
1.3	385-05-05-152	8" HORIZONTAL DISCHARGE PIPE	1
1.4	385-05-05-153	STOP RING	1
1.5	385-05-05-154	CYLINDER BRKT	1
1.6	385-05-05-155	SIDE GUSSET	2
(1.1)	385-05-05-151	8" VERT. DISCH PIPE-15000L PROFILE	1
2	386-05-03-000	8" SNORKEL KIT	1
2.1	386-05-01-000	INNER PIVOT BRKT ASSY - 8"	1
2.1.1	386-05-01-091	8" BARBED END	1
2.1.2	386-05-01-092	8" INNER PIVOT BRKT	2
2.1.3	386-05-01-094	GUSSET	2
2.1.4	384-06-04-046	HYDRAULIC CYLINDER BRKT	1
2.2	386-05-02-000	OUTER PIVOT BRKT ASSY - 8"	1
2.2.1	386-05-01-091	8" BARBED END	1
2.2.2	384-06-04-046	HYDRAULIC CYLINDER BRKT	1
2.2.3	386-05-02-093	8" OUTER PIVOT BRKT	2
2.2.4	386-05-01-094	GUSSET	2
2.3	R02844	8" SPIRAL CLAMP	2
2.4	386-05-03-095	8" FLEX HOSE	1
2.5	R07733	7/16 x 1 1/2" CARRIAGE BOLT	4
2.6	386-05-03-096	SPACER PIPE	4
2.7	R07824	7/16 FLAT WASHER	4
2.8	R07891	7/16 2-WAY LOCK NUT	4
3	386-05-09-000	8" OUTER BOOM ASSY	1
3.1	386-05-09-138	OUTER DISCHARGE PIPE	1
3.2	386-05-09-140	DISCHARGE MID PC	1
3.3	386-05-09-139	OUTER DISCHARGE PIPE END PC	1
4	R02484	8" SUCTION HOSE CLAMP	1
5	386-05-00-205	8" BOOM RUBBER HOSE	1

VERTICAL DISCHARGE PARTS



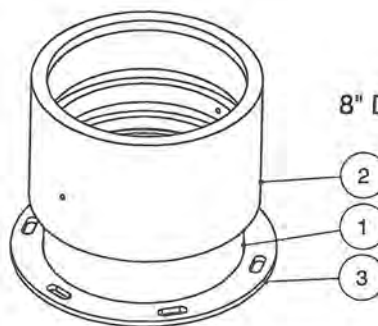
**8" SPLASH PLATE ASSY
358-92-04-000**

PARTS LIST			
ITEM	PART NUMBER	DESCRIPTION	QTY
1	358-92-04-308	8" SPLASH PLATE	1
2	358-92-04-309	8" SPLASH PLATE TUBE	1
3	358-92-04-310	WING FOR 8" SPLASH PLATE	2
4	358-92-04-311	CLAMPING TUBE BRKT	2



**8" EXTENSION PIPE ASSY
358-92-03-000**

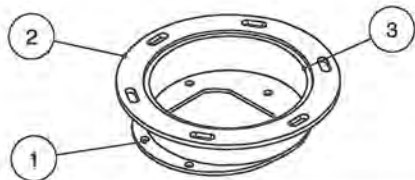
PARTS LIST			
ITEM	PART NUMBER	DESCRIPTION	QTY
1	358-92-03-307	8" EXTENSION PIPE	1
2	358-92-02-306	8" DISCHARGE FLANGE	1



**8" DOUBLE SEAL HOLDER ASSY
386-05-10-000**

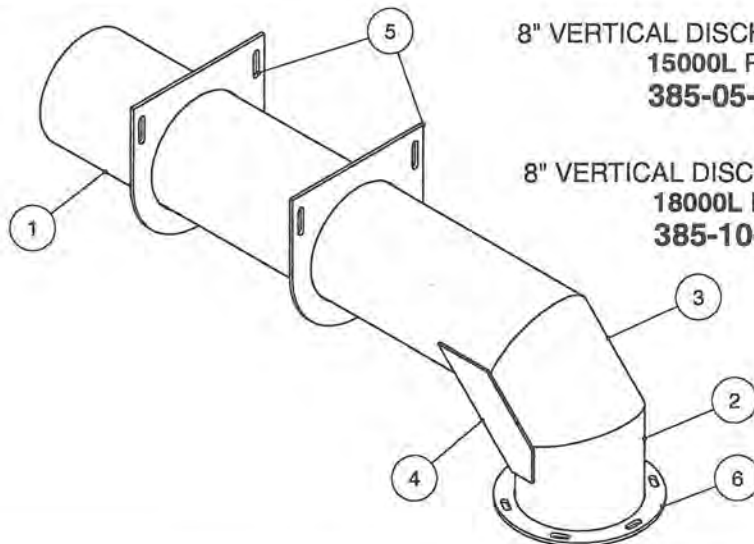
PARTS LIST			
ITEM	PART NUMBER	DESCRIPTION	QTY
1	386-05-10-141	DOUBLE SEAL HOLDER EXTENSION PIPE	1
2	386-05-01-073	8" DOUBLE SEAL HOLDER	1
3	358-92-02-306	8" DISCHARGE FLANGE	1

VERTICAL DISCHARGE & SWING BOOM PARTS



HOUSING TO VALVE CONNECTION
385-05-03-000

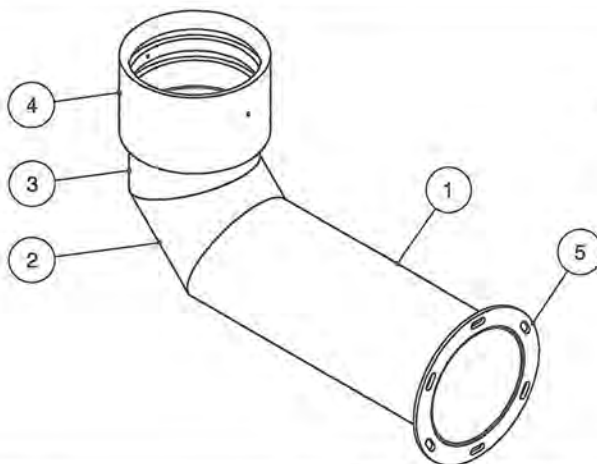
PARTS LIST			
ITEM	PART NUMBER	DESCRIPTION	QTY
1	358-92-01-301	8" HOUSING DISCHARGE RING	1
2	358-92-02-306	8" DISCHARGE FLANGE	1
3	385-05-03-217	CONNECTOR TUBE	1



8" VERTICAL DISCHARGE PIPE ASSY
15000L PROFILE
385-05-09-000

8" VERTICAL DISCHARGE PIPE ASSY
18000L PROFILE
385-10-01-000

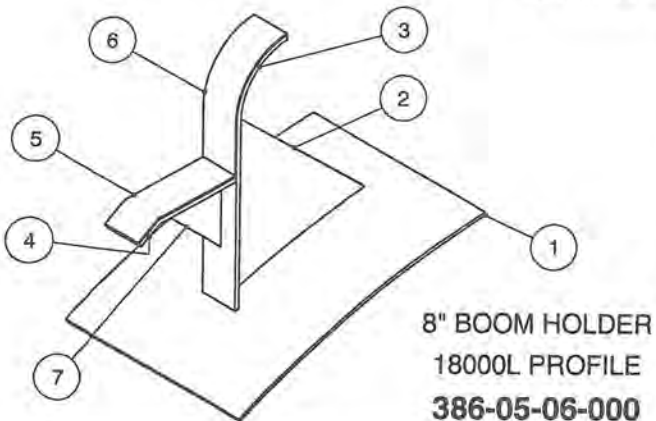
PARTS LIST			
ITEM	PART NUMBER	DESCRIPTION	QTY
1	385-05-09-145	8" VERTICAL DISCHARGE TUBE - 15000L PROFILE	1
(1)	386-10-01-238	8" VERTICAL DISCHARGE TUBE - 18000L PROFILE	1
2	385-05-09-146	ELBOW END PC	1
3	385-05-09-147	ELBOW MIDDLE PC	1
4	384-05-02-097	GUSSET	2
5	357-47-01-227	8" PIPE MOUNT BRKT	2
6	358-92-02-306	8" DISCHARGE FLANGE	1



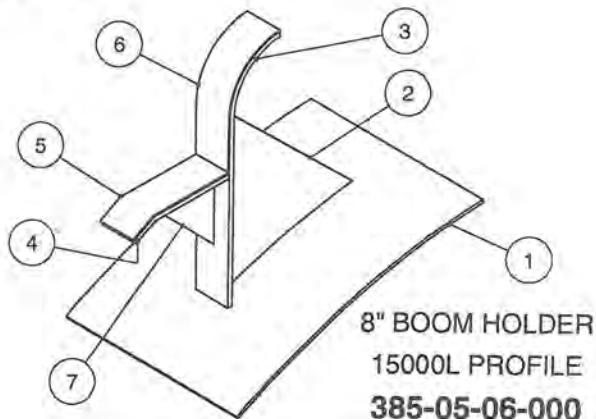
8" CROSS PIPE ASSY
386-05-04-000

PARTS LIST			
ITEM	PART NUMBER	DESCRIPTION	QTY
1	386-05-04-172	8" CROSS PIPE	1
2	385-05-09-147	ELBOW MIDDLE PC	1
3	386-05-04-173	ELBOW END PC	1
4	386-05-01-073	8" DOUBLE SEAL HOLDER	1
5	358-92-02-306	8" DISCHARGE FLANGE	1

SWING BOOM PARTS



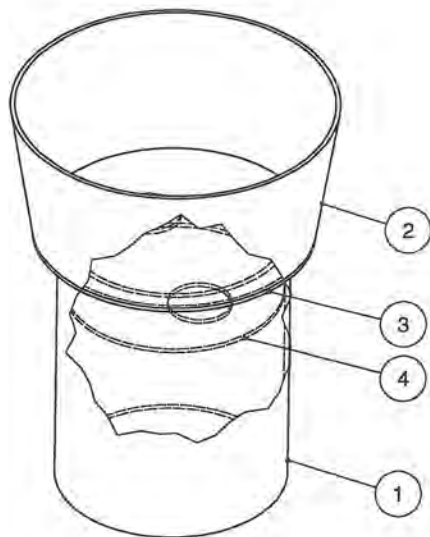
**8" BOOM HOLDER
18000L PROFILE
386-05-06-000**



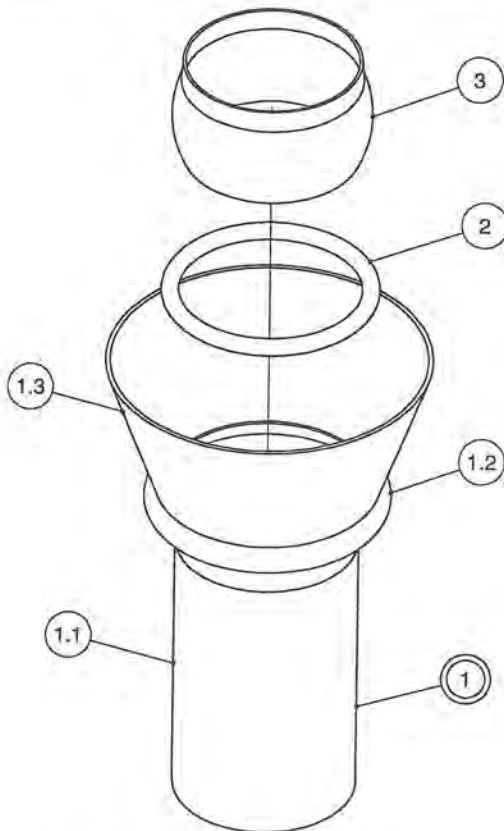
**8" BOOM HOLDER
15000L PROFILE
385-05-06-000**

PARTS LIST			
ITEM	PART NUMBER	DESCRIPTION	QTY
1	386-05-06-125	BASE PLATE - 18000L PROFILE	1
2	386-05-06-131	REAR GUSSET - 18000L PROFILE	1
3	386-05-06-126	HOLDER BRKT	1
4	386-05-06-128	HOLDER SEAT	1
5	386-05-06-130	PLASTIC SEAT	1
6	386-05-06-127	PLASTIC BACK	1
7	386-05-06-129	GUSSET	1

PARTS LIST			
ITEM	PART NUMBER	DESCRIPTION	QTY
1	385-05-06-143	BASE PLATE - 15000L PROFILE	1
2	385-05-06-142	GUSSET 15000L PROFILE	1
3	386-05-06-126	HOLDER BRKT	1
4	386-05-06-128	HOLDER SEAT	1
5	386-05-06-130	PLASTIC SEAT	1
6	386-05-06-127	PLASTIC BACK	1
7	386-05-06-129	GUSSET	1



**8" DRIP FUNNEL
386-08-00-000**



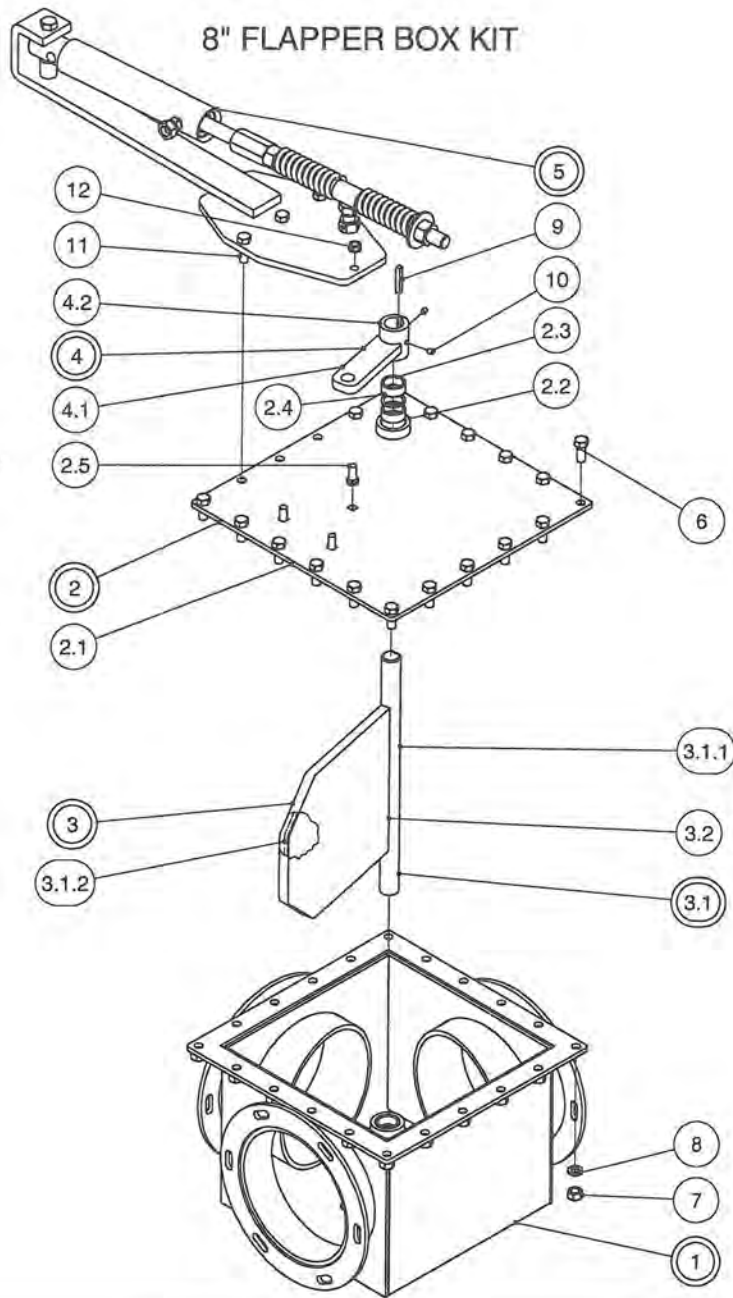
**8" BAUER FUNNEL KIT
386-11-00-000**

PARTS LIST			
ITEM	PART NUMBER	DESCRIPTION	QTY
1	386-08-00-117	CONE TUBE	1
2	386-08-00-115	CONE FOR 8" DRIP FUNNEL	1
3	386-08-00-116	CONE BASE PLATE	1
4	386-08-00-118	BAFFLE	1

PARTS LIST			
ITEM	PART NUMBER	DESCRIPTION	QTY
1	386-11-01-000	8" BAUER FUNNEL ASSY	1
1.1	386-11-01-269	CONE TUBE	1
1.2	R10222	8" BAUER FUNNEL ASSY	1
1.3	386-11-01-270	FUNNEL CONE	1
2	R10223	8" BAUER 'O' RING	1
3	R10220	8" BAUER BALL	1

8" FLAPPER BOX KIT

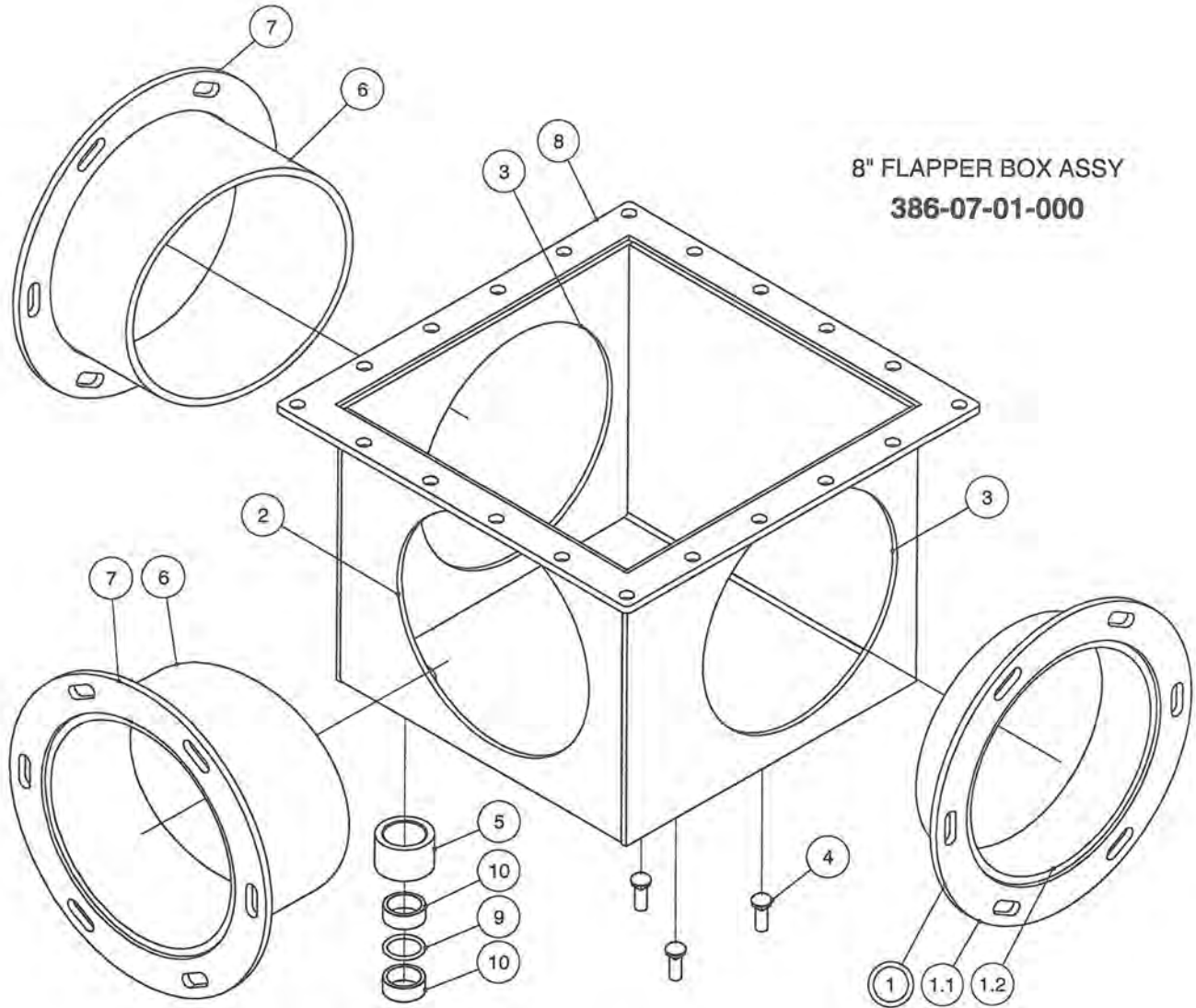
8" FLAPPER BOX KIT
386-13-00-000



PARTS LIST

ITEM	PART NUMBER	DESCRIPTION	QTY
1	386-07-01-000	8" FLAPPER BOX ASSY	1
2	386-07-05-000	COVER PLATE ASSY	1
2.1	386-07-05-114	COVER PLATE	1
2.2	364-58-02-266	BUSHING SLEEVE	1
2.3	R20266	1 1/4 OD x 1 ID x 1/2 LONG BUSHING	2
2.4	R20859	O RING 1 x 1 1/4 x 1/8"	1
2.5	R07721	3/8 x 1 CARRIAGE BOLT	3
3	386-07-06-000	FLAPPER ASSY w/ URETHENE	1
3.1	386-07-04-000	FLAPPER ASSY	1
3.1.1	386-07-04-113	FLAPPER SHAFT	1
3.1.2	386-07-04-112	FLAPPER	1
3.2	R20225	URETHENE	1
4	364-58-18-000	FLAPPER BRKT ASSY	1
4.1	364-58-11-321	BRKLT ARM	1
4.2	364-58-11-322	ARM BRKT SLEEVE	1
5	386-13-01-000	HORIZONTAL CYLINDER & BRKT KIT-8"	1
6	R07628	7/16 x 1 HEX BOLT	17
7	R07784	7/16 HEX NUT	20
8	R07804	7/16 LOCK WASHER	20
9	364-58-08-323	KEY	1
10	R07906	5/16 x 3/8" SET SCREW	2
11	R07671	7/16 x 1 1/4 HEX BOLT	3
12	R07794	3/8 FLANGE NUT	1

8" FLAPPER BOX ASSY

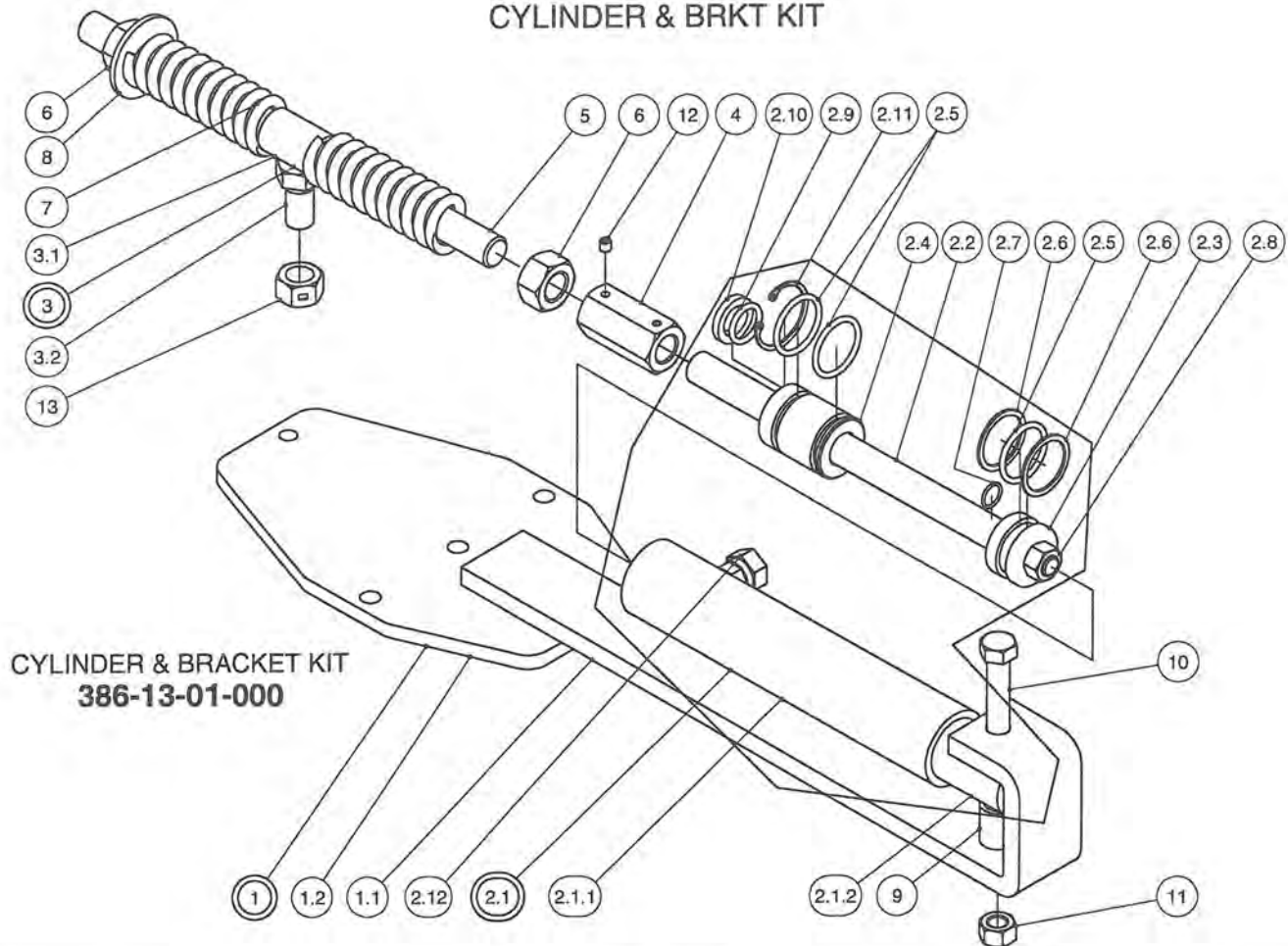


8" FLAPPER BOX ASSY
386-07-01-000

PARTS LIST

ITEM	PART NUMBER	DESCRIPTION	QTY
1	386-07-02-000	8" INLET ASSY	1
1.1	358-92-02-306	8" DISCHARGE FLANGE	1
1.2	386-07-02-110	INLET PIPE	1
2	386-07-01-107	FLAPPER BOX	1
3	386-07-01-108	BOX TOP & BOTTOM	2
4	R07721	3/8 x 1 CARRIAGE BOLT	3
5	364-58-02-266	BUSHING SLEEVE	1
6	386-07-03-111	OUTLET PIPE	2
7	358-92-02-306	8" DISCHARGE FLANGE	2
8	386-07-01-109	FLANGE	1
9	R20859	O RING 1 x 1 1/4 x 1/8"	1
10	R20266	1 1/4 OD x 1 ID x 1/2 LONG BUSHING	2

CYLINDER & BRKT KIT



CYLINDER & BRACKET KIT
386-13-01-000

PARTS LIST

ITEM	PART NUMBER	DESCRIPTION	QTY
1	386-13-02-000	CYLINDER BRKT ASSY-8" VALVE	1
1.1	364-58-09-317	CYLINDER BRKT	1
1.2	386-13-02-307	CYLINDER BRKT BOLT PLATE-8"	1
2	275-15-00-000	HYDRAULIC CYLINDER ASSY	1
2.1	275-14-00-000	CYLINDER TUBE w/ LUG ASSY	1
2.1.1	250-70-28-155	CYLINDER TUBE	1
2.1.2	275-14-00-076	CYLINDER END CAP	1
2.2	275-15-00-122	HYDRAULIC CYLINDER SHAFT	1
2.3	340-36-00-435	CYLINDER PLUNGER	1
2.4	340-36-00-434	WIPER BLOCK	1
2.5	R20866	O-RING #11-218	3
2.6	R20867	BACKUP RING #8-218	2
2.7	R20865	O-RING #11-014	1
2.8	R07885	1/2 - 2 WAY LOCK NUT	1
2.9	R20771	O-RING #11-210	1
2.10	R20774	3/4" HYTREL ROD WIPER 52-750	1
2.11	R07967	1 1/2" 23000 x 150 INTERNAL SNAP RING	1
2.12	R21287	1/4M x 3/8 SWIVEL ADAPTER	1
3	364-58-10-000	PIVOT AND SLEEVE ASSY	1
3.1	364-58-10-320	PIVOT SLEEVE	1
3.2	R07673	5/8 x 1 1/4" UNC HEX BOLT	1
4	364-58-08-257	3/4" COUPLER	1
5	364-58-08-319	EXTENSION SHAFT	1
6	R07881	3/4 - 2 WAY LOCK NUT	2
7	R08033	HP 68 x 3/4 x 4" SPRING	2
8	R07827	3/4" FLAT WASHER	1
9	364-58-08-318	SPACER PIPE	1
10	R07643	1/2 x 4 HEX BOLT	1
11	R07885	1/2 - 2 WAY LOCK NUT	1
12	R07906	5/16 x 3/8" SET SCREW	2
13	R07887	5/8 HEX NUT	1