

Date Purchased \_\_\_\_\_

The key number system in this parts book is arranged as follows:

- ⊙ - Key numbers with two circles denotes main assemblies.
- - Key numbers with one circle are individual parts

Please order parts by number

# HUSKY

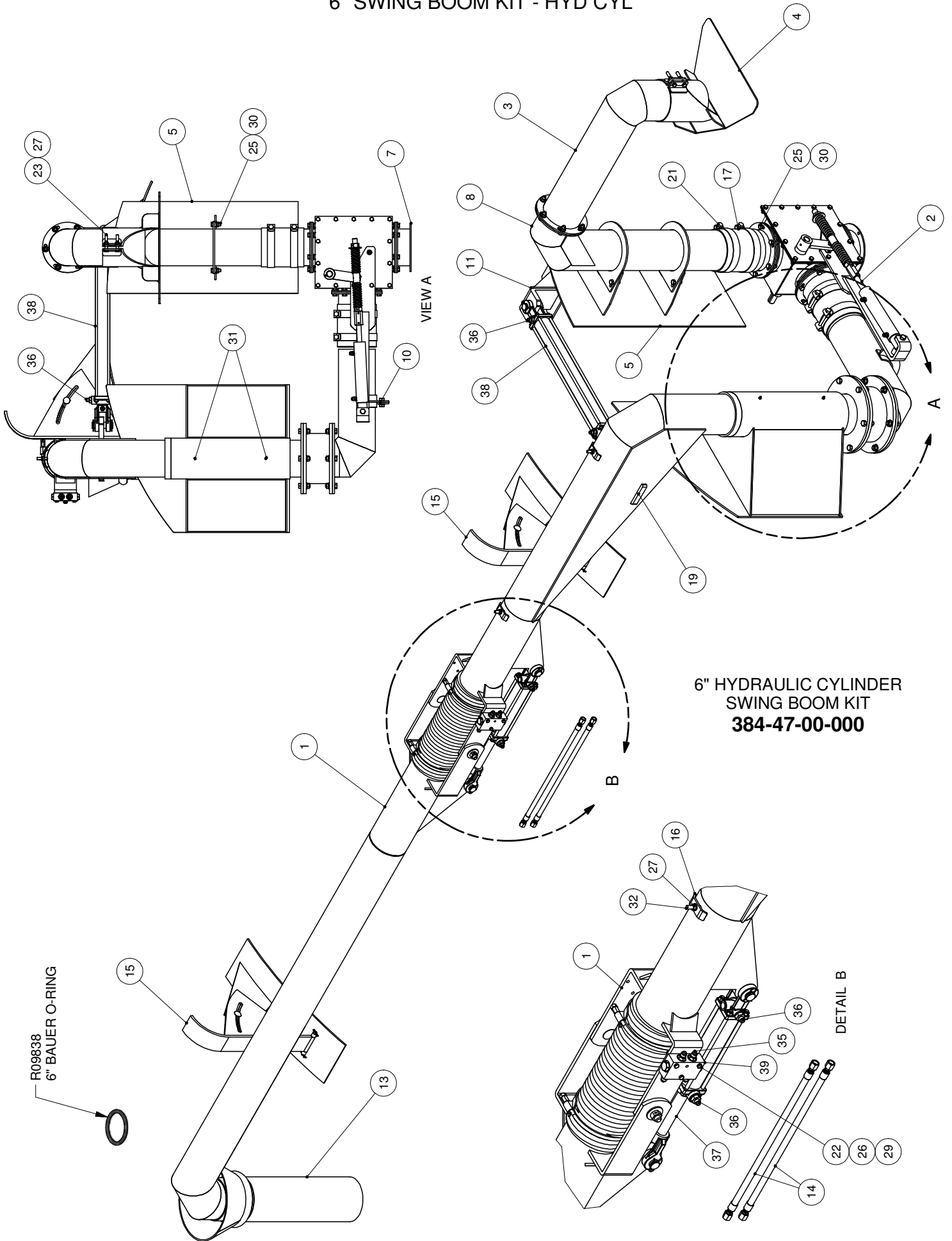
## FARM EQUIPMENT

### 6" SWING BOOM KIT

- 384-47-00-000 – Hydraulic Cylinder
- 384-48-00-000 – Hydraulic Orbit Motor



# 6" SWING BOOM KIT - HYD CYL

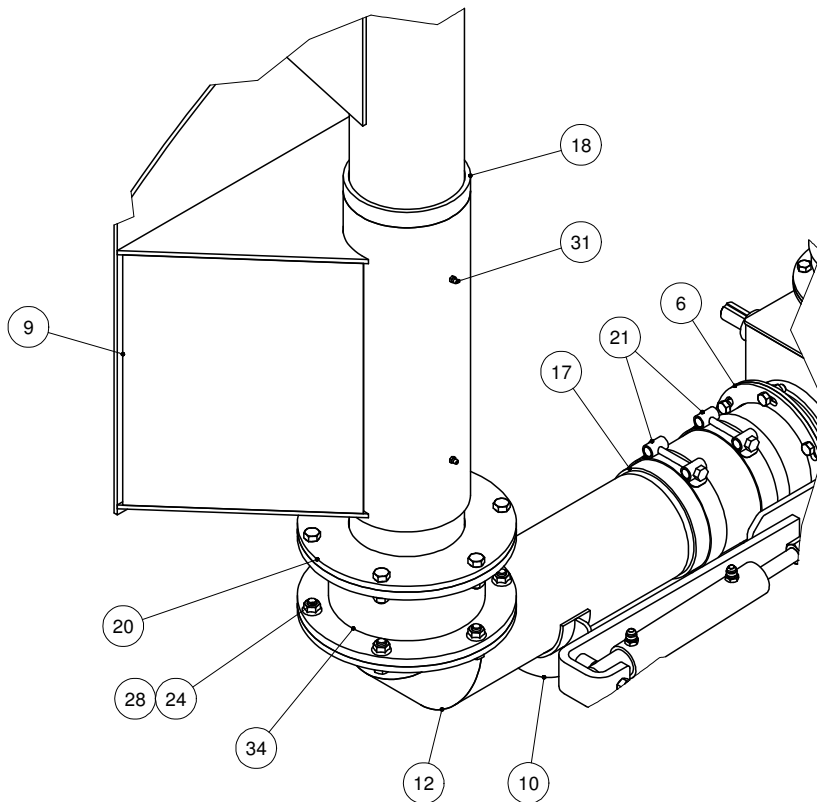


6" HYDRAULIC CYLINDER  
 SWING BOOM KIT  
**384-47-00-000**

R09838  
 6" BAUER O-RING

## 6" SWING BOOM KIT - HYD CYL

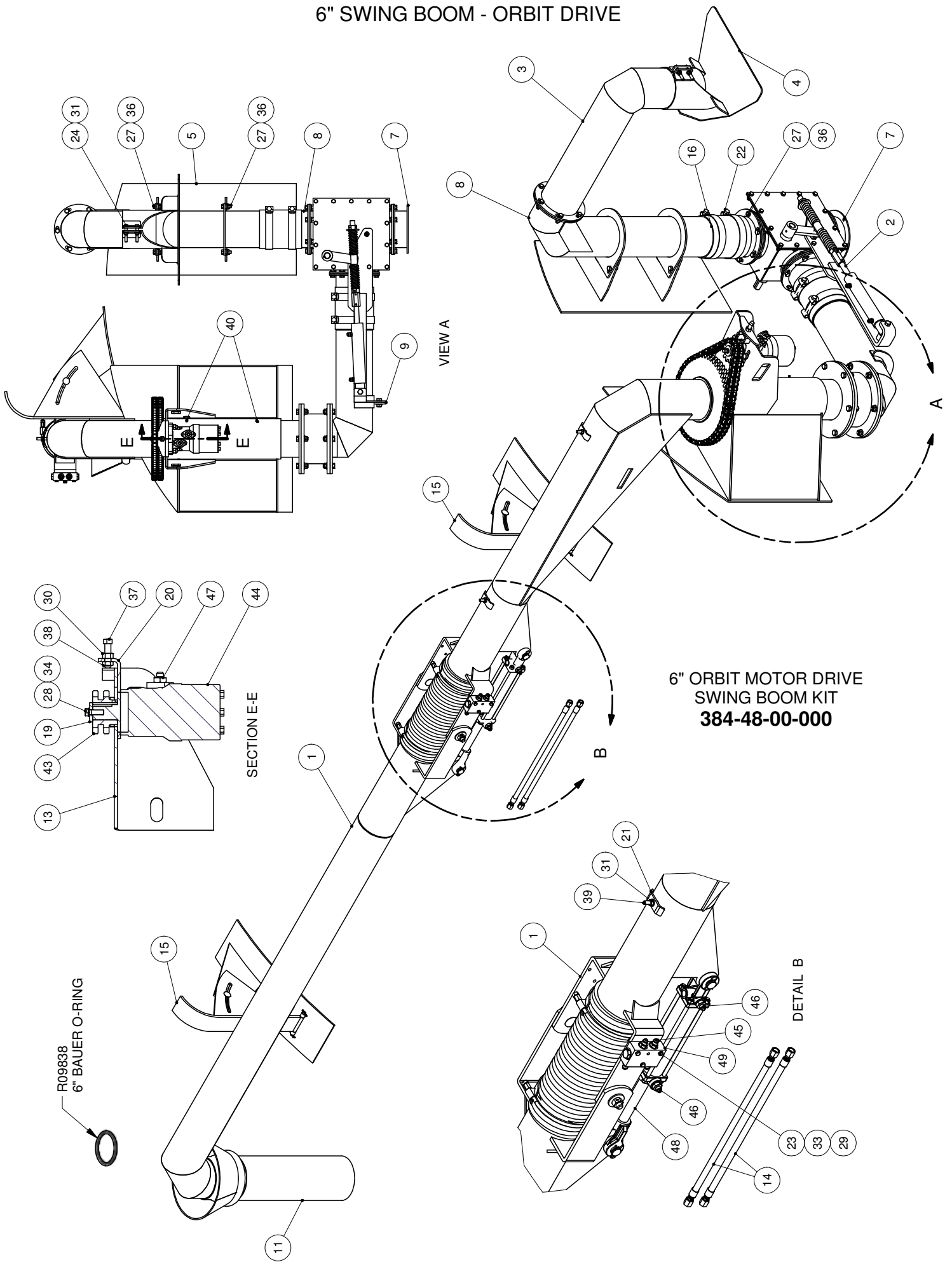
PARTS LIST				PARTS LIST			
ITEM	PART NUMBER	DESCRIPTION	QTY	ITEM	PART NUMBER	DESCRIPTION	QTY
1	384-47-01-000	6" BOOM ASSY COMPLETE w/ SNORKEL	1	21	R02482	6" HOSE CLAMP	4
2	364-57-00-000	6" FLAPPER VALVE KIT-HORIZONTAL	1	22	R07604	1/4-20 UNC x 2 HEX BOLT GR.5	3
3	364-25-00-000	DISCHARGE PIPE END SECTION ASSY	1	23	R07622	3/8-16 UNC x 2.5 HEX BOLT GR.5	2
4	364-68-00-000	6" SPLASH PLATE ASSY	1	24	R07638	1/2-13 UNC x 1.5 HEX BOLT GR.5	12
5	384-05-03-000	DISCHARGE SUPPORT ASSY - 6" PIPE	1	25	R07671	7/16-14 UNC x 1.25 HEX BOLT GR.5	28
6	384-05-24-000	HOSE TUBE ASSY	2	26	R07781	1/4-20 UNC HEX NUT - ZINC	3
7	384-06-01-000	HOUSING TO VALVE CONN. ASSY	1	27	R07794	3/8-16 UNC FLANGE NUT - ZINC	4
8	384-06-02-000	VERTICAL DISCHARGE PIPE ASSY	1	28	R07795	1/2-13 UNC FLANGE NUT - ZINC	12
9	384-06-06-000	BOOM VERTICAL SUPPORT ASSY-6"	1	29	R07801	1/4 LOCK WASHER - ZINC	3
10	384-06-18-000	SADDLE ASSY - 6"	1	30	R07879	7/16-14 UNC FLANGE NUT - ZINC	28
11	384-06-19-000	CYLINDER BRKT ASSY	1	31	R08183	1/4" - 28 STRAIGHT GREASE FITTING	2
12	384-06-23-000	CROSS PIPE ASSY W/SWIVEL FLANGE	1	32	R08302	3/8-16 UNC x 1 5/8" WELD STUD	2
13	384-19-01-000	6" BAUER FUNNEL ASSY	1	33	R09838	HK 159mm O-RING	1
14	385-05-12-000	HYD HOSE ASSY-CHECK VALVE TO CYL	2	34	R10416	6" SWIVEL KIT	1
15	385-29-00-000	UNIVERSAL BOOM STOP KIT	2	35	R23089	ORB-6 x 3/8" JIC M. ADAPTOR	4
16	290-00-00-167	HYDRAULIC HOSE CLIP	2	36	R23091	ORB-8 X 3/8" JIC M ADAPTOR	4
17	296-00-00-071	GREEN HD CONTRACTOR HOSE	2	37	R23267	20TH08 HYD CYL-ORB	1
18	384-05-02-030	STOP PIPE	1	38	R23273	20TH20 HYD CYL-ORB	1
19	384-06-04-226	CYLINDER BRKT - 6" PIPE	1	39	R23329	DUAL P/O CHECK VALVE - ORB-8	1
20	385-06-02-176	COUPLING FLANGE	1				



DETAIL A

**HYD HOSES NOT INCLUDED IN KIT - AS REQ'D ONLY**  
 2pc - 384-06-11-000 CAB TO FLAPPER VALVE  
 1pc - 384-06-14-000 CAB TO BOOM TIP CYL - SHORT  
 1pc - 384-06-15-000 CAB TO BOOM TIP CYL - LONG  
 2pc - 384-06-12-000 CAB TO SWING CYLINDER

# 6" SWING BOOM - ORBIT DRIVE

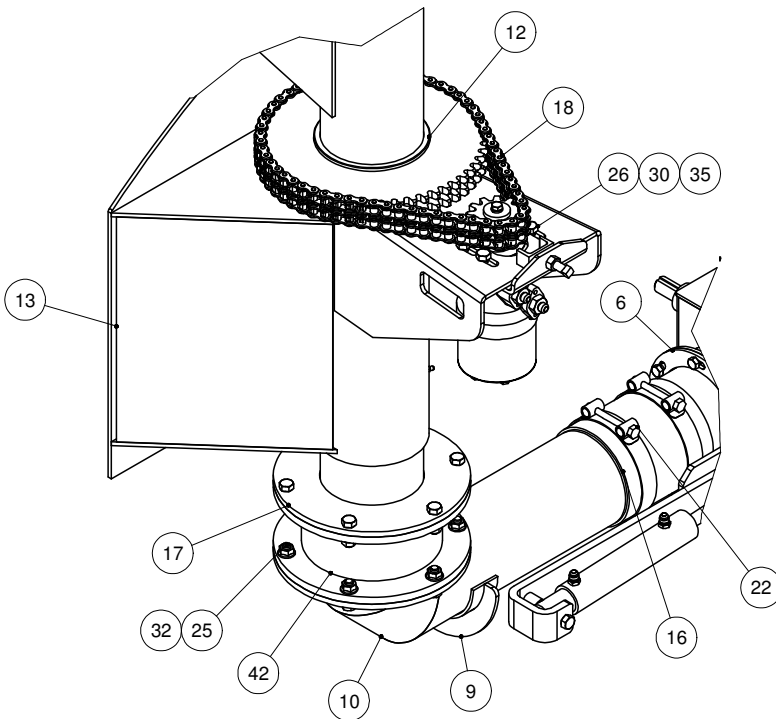


6" ORBIT MOTOR DRIVE  
SWING BOOM KIT  
**384-48-00-000**

R09838  
6" BAUER O-RING

# 6" SWING BOOM KIT - ORBIT DRIVE

PARTS LIST				PARTS LIST			
ITEM	PART NUMBER	DESCRIPTION	QTY	ITEM	PART NUMBER	DESCRIPTION	QTY
1	384-47-01-000	6" BOOM ASSY COMPLETE w/ SNORKEL	1	26	R07639	1/2-13 UNC x 2 HEX BOLT GR.5	4
2	364-57-00-000	6" FLAPPER VALVE KIT-HORIZONTAL	1	27	R07671	7/16-14 UNC x 1.25 HEX BOLT GR.5	28
3	364-25-00-000	DISCHARGE PIPE END SECTION ASSY	1	28	R07675	3/8-16 UNC x 1.25 HEX BOLT GR.5	1
4	364-68-00-000	6" SPLASH PLATE ASSY	1	29	R07781	1/4-20 UNC HEX NUT - ZINC	3
5	384-05-03-000	DISCHARGE SUPPORT ASSY - 6" PIPE	1	30	R07785	1/2-13 UNC HEX NUT - ZINC	5
6	384-05-24-000	HOSE TUBE ASSY	2	31	R07794	3/8-16 UNC FLANGE NUT - ZINC	4
7	384-06-01-000	HOUSING TO VALVE CONN. ASSY	1	32	R07795	1/2-13 UNC FLANGE NUT - ZINC	12
8	384-06-02-000	VERTICAL DISCHARGE PIPE ASSY	1	33	R07801	1/4 LOCK WASHER - ZINC	3
9	384-06-18-000	SADDLE ASSY - 6"	1	34	R07803	3/8 LOCK WASHER - ZINC	1
10	384-06-23-000	CROSS PIPE ASSY W/SWIVEL FLANGE	1	35	R07805	1/2 LOCK WASHER - ZINC	4
11	384-19-01-000	6" BAUER FUNNEL ASSY	1	36	R07879	7/16-14 UNC FLANGE NUT - ZINC	28
12	384-38-03-000	SPROCKET ASSY-60A54	1	37	R07918	1/2-13 UNC x 2 SQ HD SET SCREW - BLK	1
13	384-38-04-000	BOOM VERTICAL SUPPORT ASSY-6"	1	38	R08046	1/2-13 UNC HEX JAM NUT - ZINC	1
14	385-05-12-000	HYD HOSE ASSY-CHECK VALVE TO CYL	2	39	R08302	3/8-16 UNC x 1 5/8" WELD STUD	2
15	385-29-00-000	UNIVERSAL BOOM STOP KIT	2	40	R08183	1/4" - 28 STRAIGHT GREASE FITTING	2
16	296-00-00-071	GREEN HD CONTRACTOR HOSE	2	41	R09838	HK 159mm O-RING	1
17	385-06-02-176	COUPLING FLANGE	1	42	R10416	6" SWIVEL KIT	1
18	385-11-00-323	60-2 DOUBLE ROLLER CHAIN C/W CL	1	43	R21002	D60B12 SPROCKET-1 1/4" BORE	1
19	385-11-00-328	SPROCKET CAP	1	44	R22164	DANFOSS/M+S HYD MOTOR-OMH500/MLHH500	1
20	385-11-00-457	TIGHTENER PLATE	1				
21	290-00-00-167	HYDRAULIC HOSE CLIP	2	45	R23089	ORB-6 x 3/8" JIC M. ADAPTOR	4
22	R02482	6" HOSE CLAMP	4	46	R23091	ORB-8 X 3/8" JIC M ADAPTOR	2
23	R07604	1/4-20 UNC x 2 HEX BOLT GR.5	3	47	R23094	ORB-10 x 3/8" JIC M ADAPTOR	2
24	R07622	3/8-16 UNC x 2.5 HEX BOLT GR.5	2	48	R23267	20TH08 HYD CYL-ORB	1
25	R07638	1/2-13 UNC x 1.5 HEX BOLT GR.5	12	49	R23329	DUAL P/O CHECK VALVE - ORB-8	1

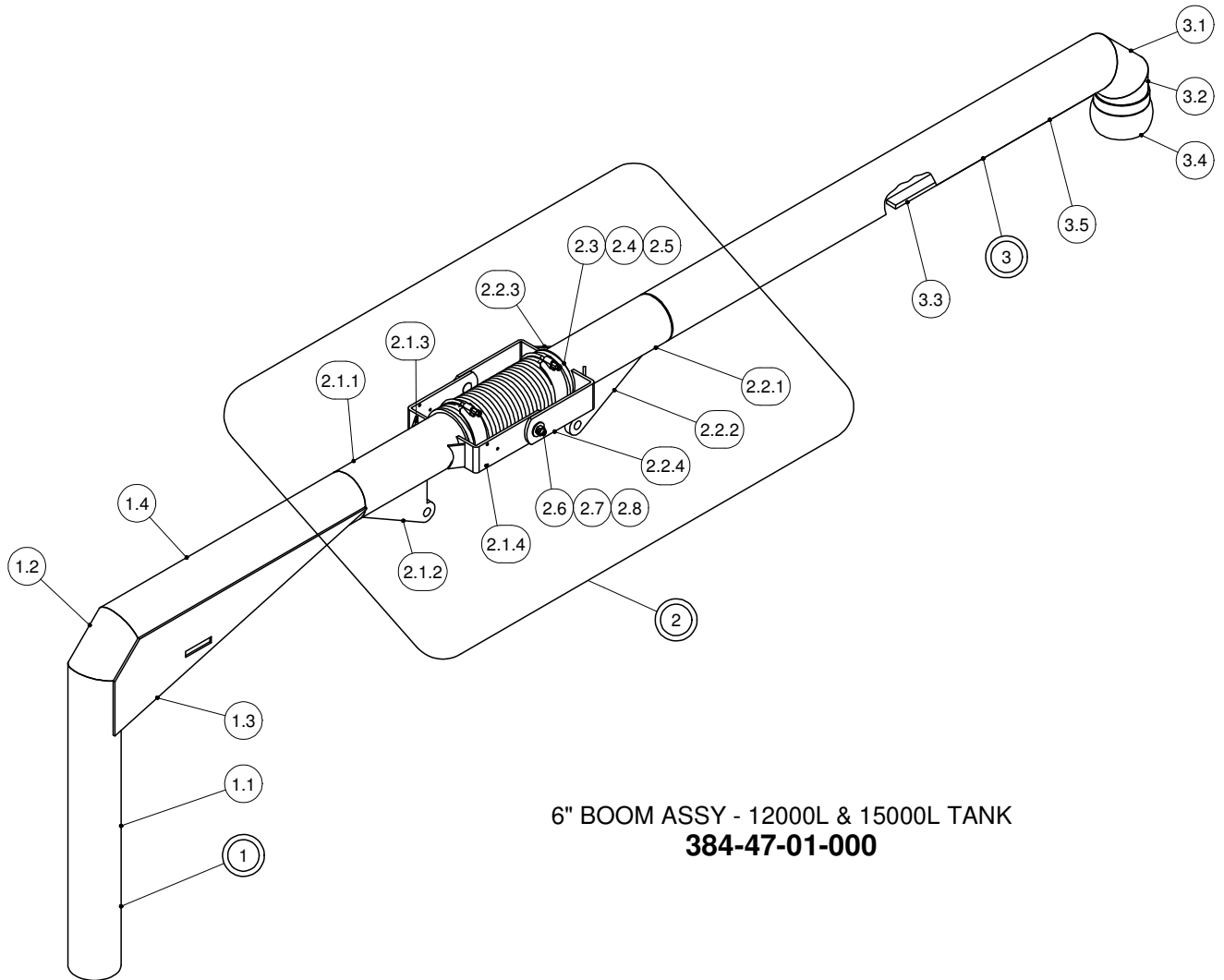


DETAIL A

DANFOSS HYD MOTOR -OMH500  
REPLACEMENT SEAL KIT  
R22460

**HYD HOSES NOT INCLUDED IN KIT - AS REQ'D ONLY**  
 2pc - 384-06-11-000 CAB TO FLAPPER VALVE  
 1pc - 384-06-14-000 CAB TO BOOM TIP CYL - SHORT  
 1pc - 384-06-15-000 CAB TO BOOM TIP CYL - LONG  
 2pc - 384-06-12-000 CAB TO SWING CYLINDER

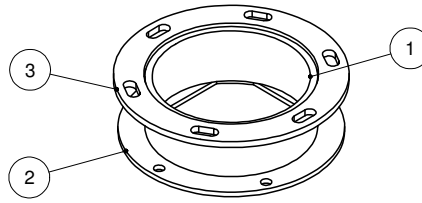
# 6" BOOM ASSY



6" BOOM ASSY - 12000L & 15000L TANK  
**384-47-01-000**

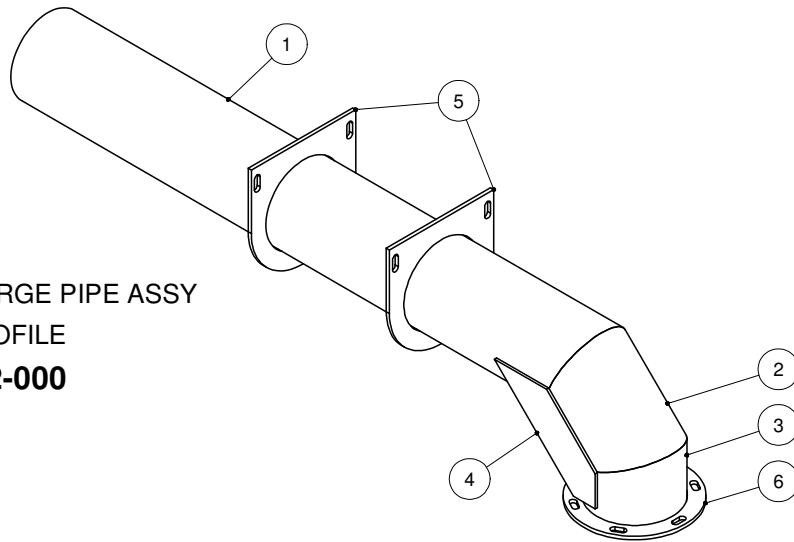
PARTS LIST				PARTS LIST			
ITEM	PART NUMBER	DESCRIPTION	QTY	ITEM	PART NUMBER	DESCRIPTION	QTY
1	384-47-02-000	6" SWIVEL PIPE ASSY	1	2.2.3	244-05-46-301	GUSSET	2
1.1	384-06-04-039	BOOM VERTICAL DISCHARGE TUBE	1	2.2.4	384-06-05-304	OUTER PIVOT BRKT	2
1.2	384-06-04-040	PIPE CORNER PC	1	2.3	384-06-00-056	6" FLEX HOSE	1
1.3	384-06-04-168	BOOM GUSSET	2	2.4	R02843	6" SPIRAL CLAMP	2
1.4	384-47-02-592	BOOM MAIN DISCHARGE PIPE	1	2.5	384-06-21-305	SPACER PIPE	2
2	384-06-21-000	6" SNORKEL KIT	1	2.6	R07754	5/8-11 UNC x 2 CARRIAGE BOLT Gr.5	2
2.1	384-06-08-000	INNER PIVOT BRKT ASSY - 6"	1	2.7	R07826	5/8 FLAT WASHER STD - ZINC	2
2.1.1	384-06-05-048	BARBED ELBOW END	1	2.8	R07887	5/8-11 UNC 2-WAY LOCK NUT - ZINC	2
2.1.2	384-06-04-046	HYDRAULIC CYLINDER BRKT	1	3	384-47-03-000	OUTER BOOM ASSY - 6"	1
2.1.3	244-05-46-301	GUSSET	2	3.1	384-05-02-028	PIPE CORNER PC	1
2.1.4	384-06-08-303	INNER PIVOT BRKT	2	3.2	384-06-07-054	OUTER TUBE END PC	1
2.2	384-06-05-000	OUTER PIVOT BRKT ASSY - 6"	1	3.3	384-06-07-463	DISCHARGE PIPE WEAR BAR	1
2.2.1	384-06-05-048	BARBED ELBOW END	1	3.4	R09837	159 mm BAUER BALL	1
2.2.2	384-06-04-046	HYDRAULIC CYLINDER BRKT	1	3.5	384-47-03-593	OUTER BOOM TUBE	1

## 6" VERTICAL DISCHARGE & SWING BOOM PARTS



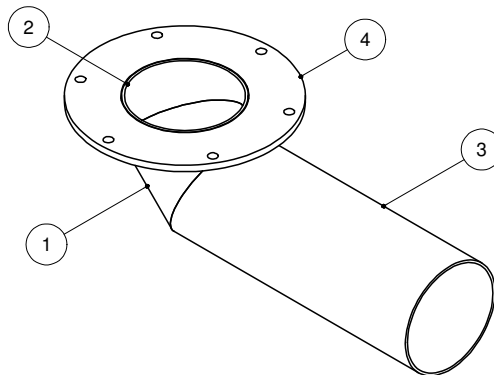
**HOUSING TO VALVE CONNECTION**  
**384-06-01-000**

PARTS LIST			
ITEM	PART NUMBER	DESCRIPTION	QTY
1	384-05-01-026	EXTENSION TUBE	1
2	364-01-03-376	DISCHARGE RING	1
3	364-19-00-087	DISCHARGE PIPE FLANGE	1



**6" VERTICAL DISCHARGE PIPE ASSY**  
**15000L PROFILE**  
**384-06-02-000**

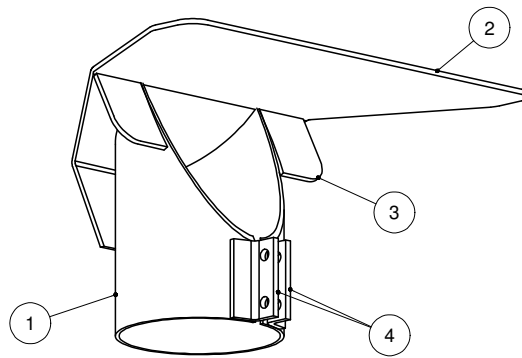
PARTS LIST				PARTS LIST			
ITEM	PART NUMBER	DESCRIPTION	QTY	ITEM	PART NUMBER	DESCRIPTION	QTY
1	384-06-02-037	VERTICAL DISCHARGE TUBE - 15L P	1	4	384-05-02-097	GUSSET	2
2	384-05-02-028	PIPE CORNER PC	1	5	384-05-02-069	TUBE ATTACHMENT BRKT	2
3	384-05-02-029	PIPE END PC	1	6	364-19-00-087	DISCHARGE PIPE FLANGE	1



**CROSS PIPE ASSY**  
**384-06-23-000**

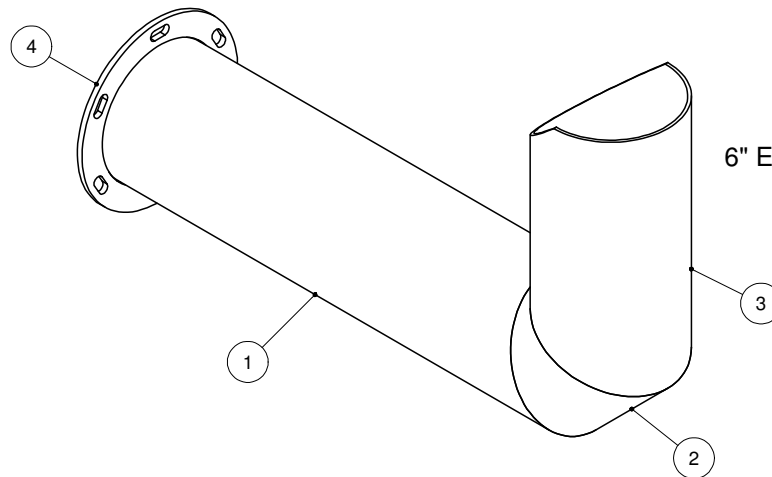
PARTS LIST			
ITEM	PART NUMBER	DESCRIPTION	QTY
1	384-06-03-533	PIPE CORNER PC	1
2	384-06-03-532	PIPE END PC	1
3	384-06-23-572	STUB CROSS PIPE	1
4	385-06-02-176	COUPLING FLANGE	1

## 6" VERTICAL DISCHARGE PARTS



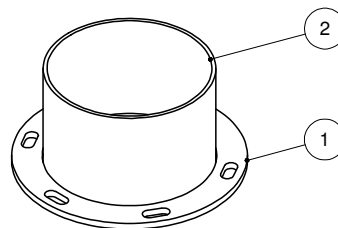
**6" SPLASH PLATE ASSY  
364-68-00-000**

PARTS LIST			
ITEM	PART NUMBER	DESCRIPTION	QTY
1	364-68-00-215	CLAMPING TUBE	1
2	364-21-00-069	SPLASH PLATE	1
3	364-21-00-224	SPLASH PLATE WING	2
4	364-21-00-071	CLAMPING TUBE BRKT	2



**6" EXTENSION PIPE ASSY  
364-25-00-000**

PARTS LIST			
ITEM	PART NUMBER	DESCRIPTION	QTY
1	364-25-00-088	DISCHARGE PIPE FLANGE PC	1
2	364-19-00-082	DISCHARGE PIPE CORNER PC	1
3	364-25-00-067	DISCHARGE PIPE END PC	1
4	364-19-00-087	DISCHARGE PIPE FLANGE	1

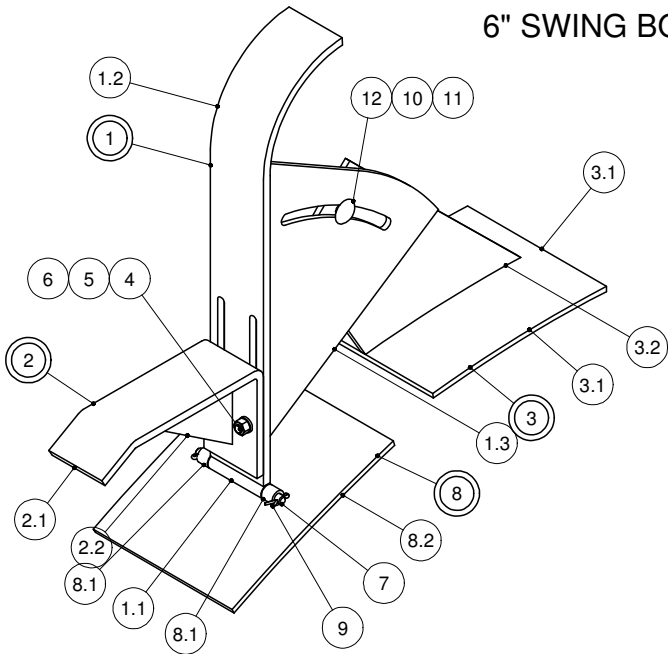


**HOSE TUBE ASSY  
384-05-24-000**

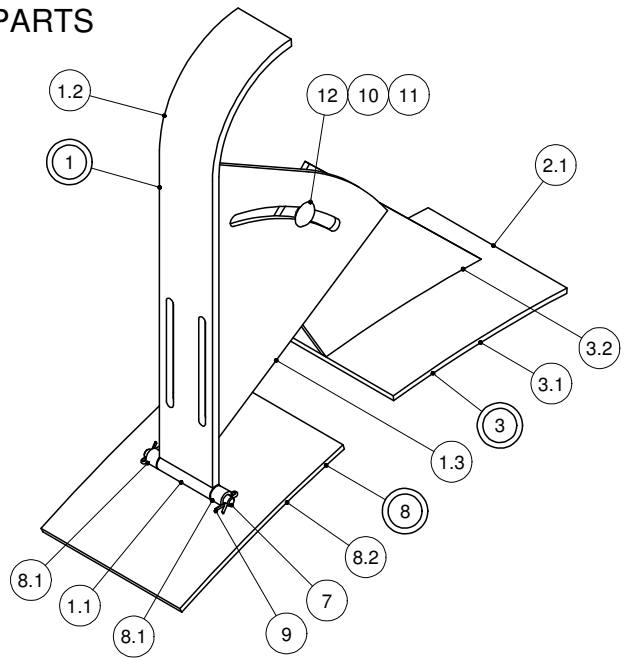
PARTS LIST			
ITEM	PART NUMBER	DESCRIPTION	QTY
1	364-19-00-087	DISCHARGE PIPE FLANGE	1
2	364-01-03-063	DISCHARGE TUBE	1



## 6" SWING BOOM PARTS

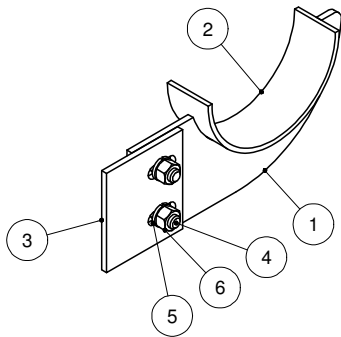


**UNIVERSAL BOOM HOLDER KIT  
385-28-00-000**

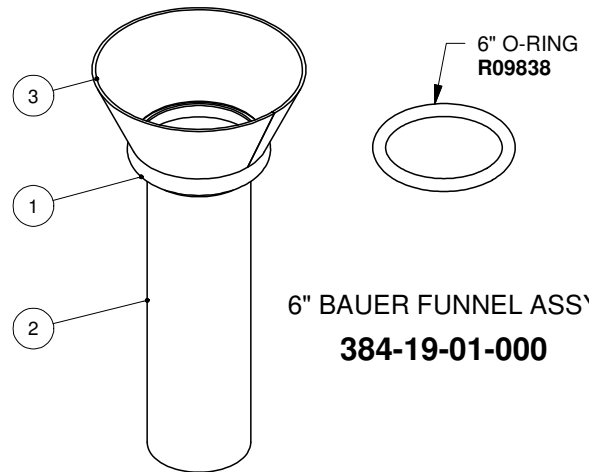


**UNIVERSAL BOOM STOP KIT  
385-29-00-000**

PARTS LIST				PARTS LIST			
ITEM	PART NUMBER	DESCRIPTION	QTY	ITEM	PART NUMBER	DESCRIPTION	QTY
1	385-28-01-000	VERTICAL STOP ASSY	1	5	R07803	3/8" LOCK WASHER	2
1.1	385-28-01-521	LONG PIVOT SLEEVE	1	6	R07783	3/8-16 UNC HEX NUT	2
1.2	385-28-01-522	VERTICAL ADJUSTABLE STOP	1	7	385-28-00-528	PIVOT PIN	1
1.3	385-28-01-523	BACK GUSSET	1	8	385-28-02-000	LOWER TANK PLATE ASSY	1
2	385-28-03-000	ADJUSTABLE SEAT ASSY	1	8.1	385-28-02-524	SHORT PIVOT SLEEVE	2
2.1	385-28-03-526	ADJUSTABLE SEAT	1	8.2	385-28-02-525	TANK PLATE	1
2.2	385-28-03-527	SEAT GUSSET	1	9	R08021	1/8 x 1 S.S. COTTER PIN	2
3	385-28-04-000	UPPER TANK PLATE ASSY	1	10	R07785	1/2-13 UNC HEX NUT	1
3.1	385-28-02-525	TANK PLATE	1	11	R07805	1/2" LOCK WASHER	1
3.2	385-28-04-529	UPPER TANK PLATE BRKT	1	12	R07742	1/2 x 1 1/4 UNC CARRIAGE BOLT	1
4	R07722	3/8 x 1 1/4 UNC CARRIAGE BOLT	2				



**6" SADDLE ASSY  
384-06-18-000**

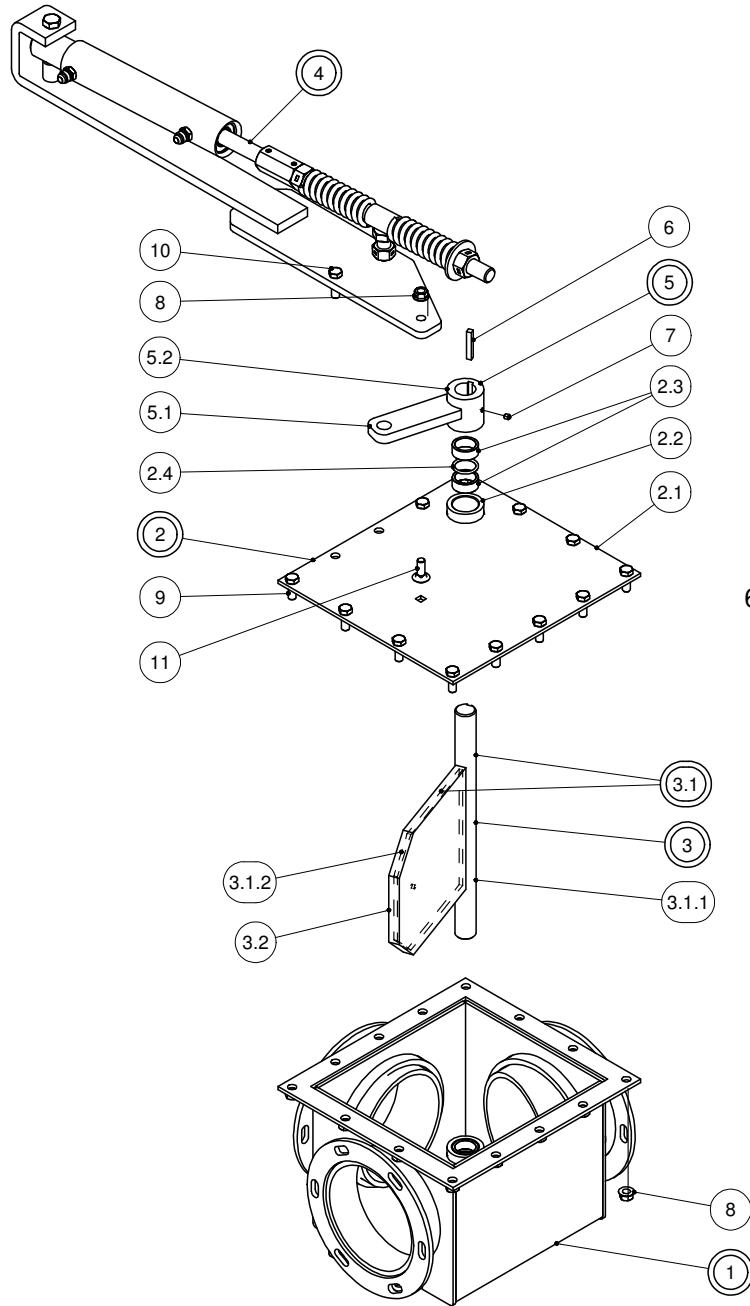


**6" BAUER FUNNEL ASSY  
384-19-01-000**

PARTS LIST			
ITEM	PART NUMBER	DESCRIPTION	QTY
1	384-06-18-170	SADDLE HOLDER	1
2	384-06-18-169	6" SADDLE	1
3	384-06-18-459	SADDLE ADJUSTMENT BRKT	1
4	R07674	1/2 x 1 1/4 UNC HEX BOLT	2
5	R07805	1/2" LOCK WASHER	2
6	R07785	1/2-13 UNC HEX NUT	2

PARTS LIST			
ITEM	PART NUMBER	DESCRIPTION	QTY
1	R09836	6" BAUER SOCKET	1
2	384-19-01-284	CONE TUBE	1
3	384-19-01-285	BAUER FUNNEL CONE	1

## 6" FLAPPER BOX KIT

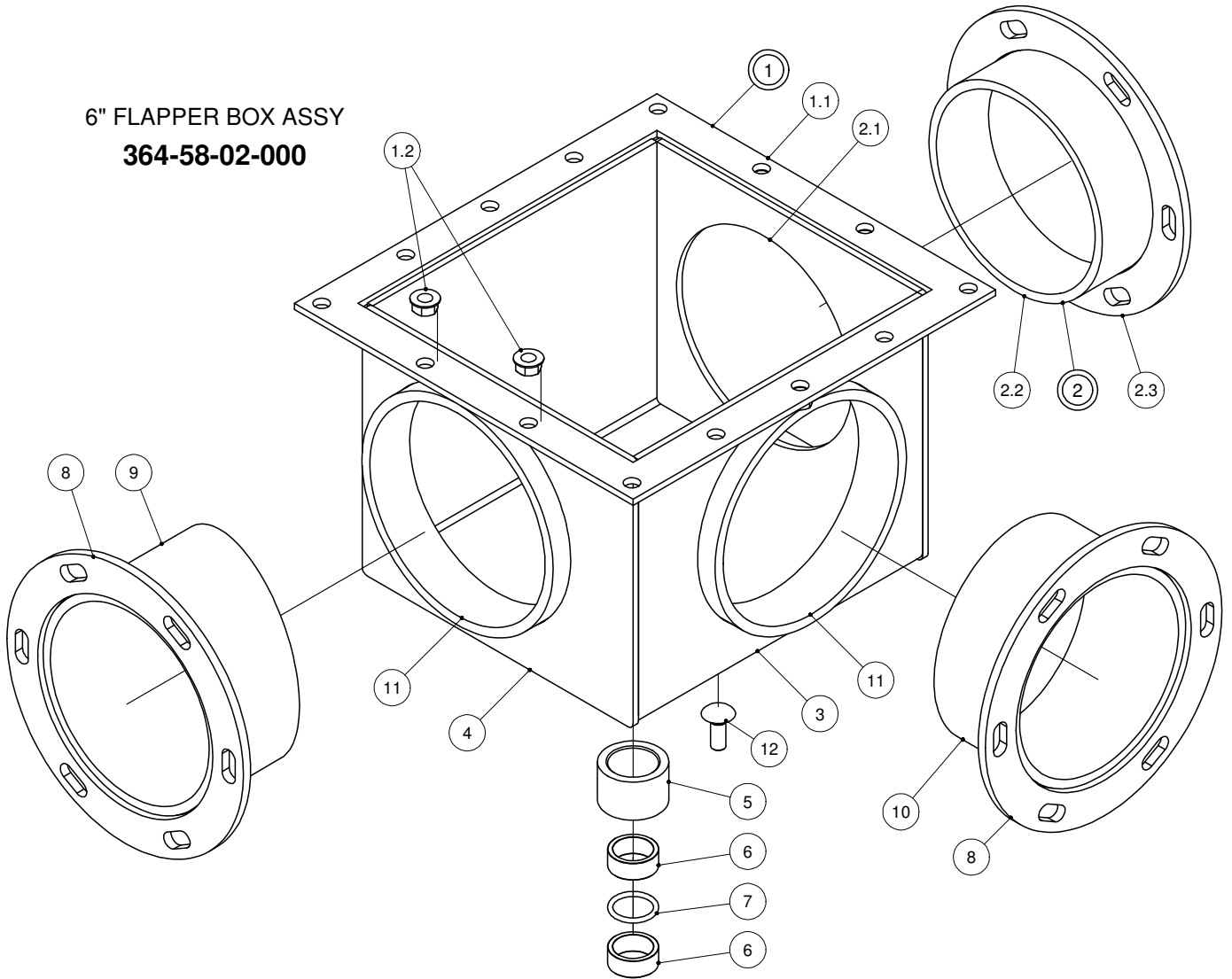


**6" FLAPPER BOX KIT**  
**364-57-00-000**

PARTS LIST				PARTS LIST			
ITEM	PART NUMBER	DESCRIPTION	QTY	ITEM	PART NUMBER	DESCRIPTION	QTY
1	364-58-02-000	MAIN BODY ASSY	1	4	364-58-17-000	CYLINDER & BRKT KIT-HORIZONTAL STYLE	1
2	364-58-03-000	COVER PLATE ASSY	1	5	364-58-11-000	FLAPPER BRKT ASSY	1
2.1	364-58-03-267	COVER PLATE	1	5.1	364-58-11-321	BRKT ARM	1
2.2	364-58-02-266	BUSHING SLEEVE	1	5.2	364-58-11-322	ARM BRKT SLEEVE	1
2.3	R20266	1 1/4 OD x 1 ID x 1/2 LONG BUSHING	2	6	364-58-08-323	KEY	1
2.4	R20859	O RING 1 x 1 1/4 x 1/8"	1	7	R07929	1/4-28 UNF x 1/4" SET SCREW	2
3	364-58-01-000	FLAPPER ASSY COMPLETE w/ URETHANE	1	8	R07794	3/8-16 UNC FLANGE NUT	10
3.1	364-58-14-000	FLAPPER ASSY	1	9	R07619	3/8 x 1 UNC HEX BOLT	12
3.1.1	364-58-01-262	FLAPPER SHAFT	1	10	R07675	3/8 x 1 1/4 UNC HEX BOLT	2
3.1.2	364-58-01-261	FLAPPER	1	11	R07721	3/8 x 1 UNC CARRIAGE BOLT	1
3.2	R20216	URETHANE	1				

## 6" FLAPPER BOX ASSY

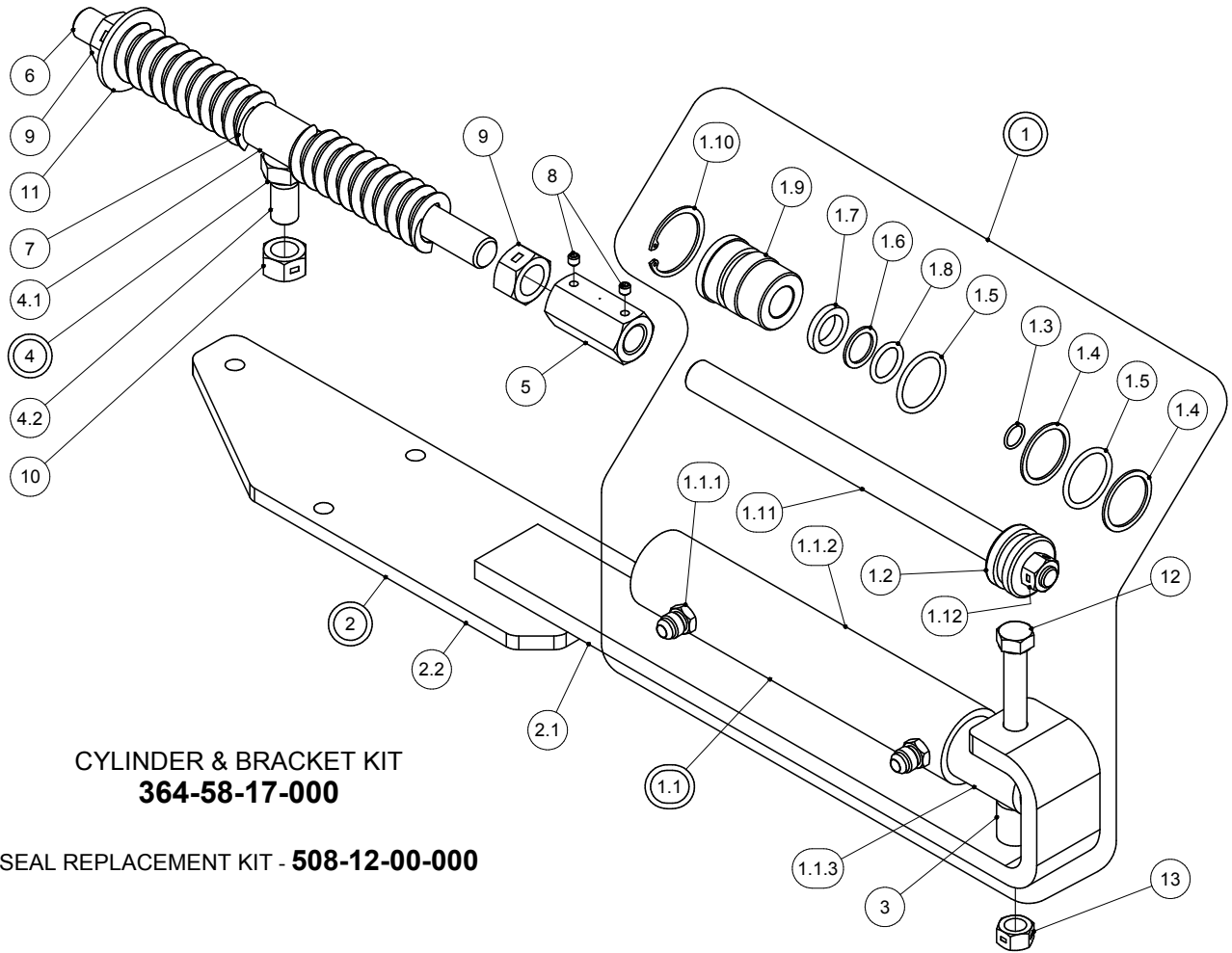
**6" FLAPPER BOX ASSY**  
**364-58-02-000**



### PARTS LIST

ITEM	PART NUMBER	DESCRIPTION	QTY
1	364-58-15-000	FLANGE ASSY	1
1.1	364-58-02-265	FLANGE	1
1.2	R07794	3/8-16 UNC FLANGE NUT	5
2	364-58-05-000	INLET TUBE ASSY	1
2.1	364-58-02-416	NOTCHED BODY END PLATE	1
2.2	364-58-05-269	INLET TUBE	1
2.3	364-19-00-087	DISCHARGE PIPE FLANGE	1
3	364-58-02-263	FLAPPER VALVE BODY	1
4	364-58-02-264	VALVE BODY END	1
5	364-58-02-266	BUSHING SLEEVE	1
6	R20266	1 1/4 OD x 1 ID x 1/2 LONG BUSHING	2
7	R20859	O RING 1 x 1 1/4 x 1/8"	1
8	364-19-00-087	DISCHARGE PIPE FLANGE	2
9	364-58-04-268	OUTLET TUBE	1
10	364-58-06-255	AGITATOR TUBE	1
11	364-58-02-520	BODY SLEEVE	2
12	R07721	3/8 x 1 UNC CARRIAGE BOLT	1

# 6" CYLINDER & BRKT KIT

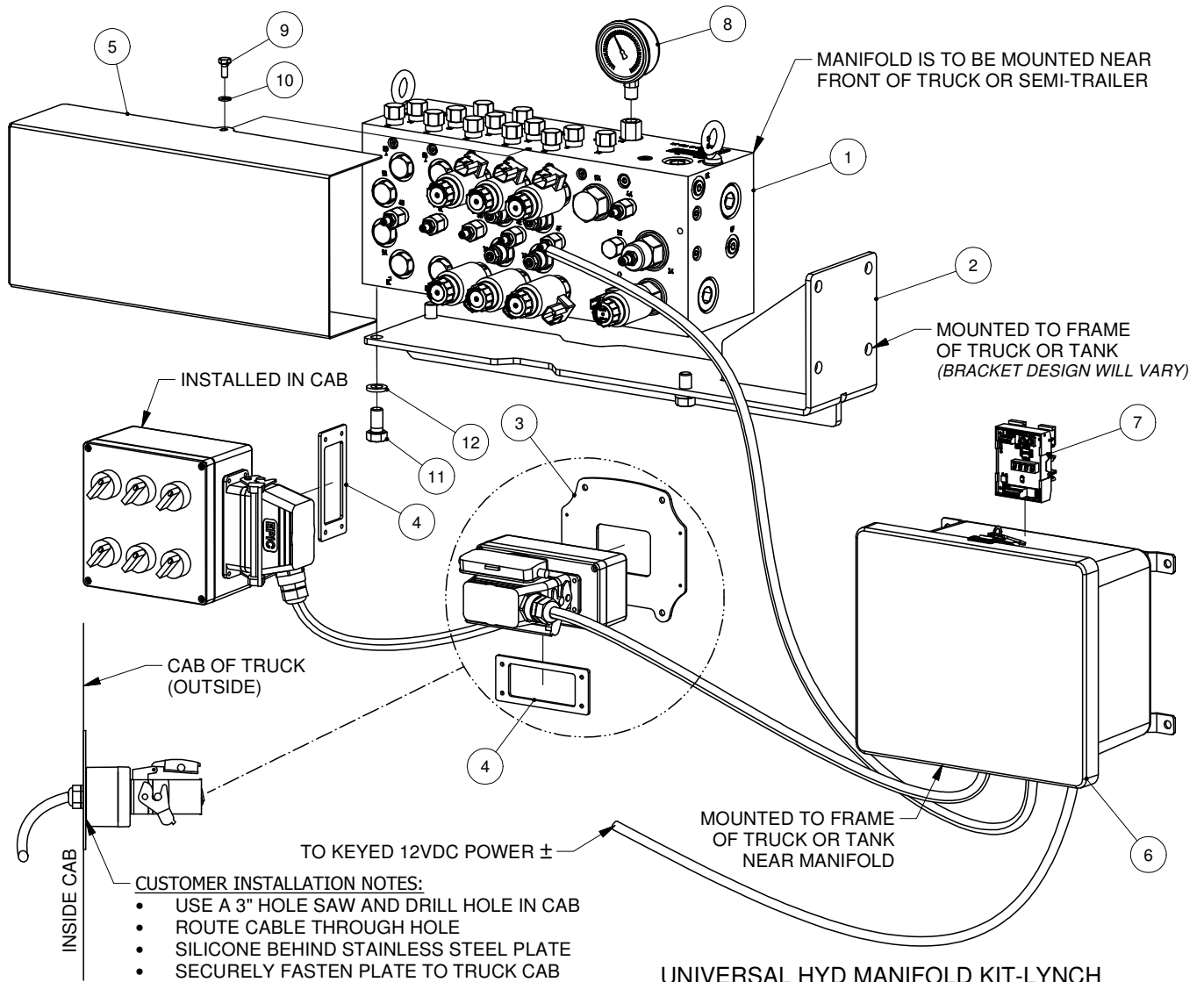


**CYLINDER & BRACKET KIT  
364-58-17-000**

**SEAL REPLACEMENT KIT - 508-12-00-000**

PARTS LIST				PARTS LIST			
ITEM	PART NUMBER	DESCRIPTION	QTY	ITEM	PART NUMBER	DESCRIPTION	QTY
1	508-11-00-000	DEFLECTOR CYL COMPLETE - JIC	1	2	364-58-16-000	CYLINDER BRKT ASSY	1
1.1	508-11-01-000	DEFLECTOR CYL TUBE ASSY - JIC	1	2.1	364-58-09-317	CYLINDER BRKT	1
1.1.1	R23151	3/8" M. JIC WELD FITTING	2	2.2	364-58-16-508	CYLINDER BRKTBOLT PLATE	1
1.1.2	508-11-01-038	DEFLECTOR CYL TUBE - JIC	1	3	364-58-08-318	SPACER PIPE	1
1.1.3	508-11-01-042	DEFLECTOR CYL END CAP - JIC	1	4	364-58-10-000	PIVOT AND SLEEVE ASSY	1
1.2	340-36-00-435	CYLINDER PLUNGER	1	4.1	364-58-10-320	PIVOT SLEEVE	1
1.3	R20865	O-RING #11-014	1	4.2	R07673	5/8-11 UNC x 1.25 HEX BOLT GR.5	1
1.4	R20867	BACKUP RING #8-218	2	5	364-58-08-257	3/4" COUPLER	1
1.5	R20866	O-RING #11-218	2	6	364-58-08-319	EXTENSION SHAFT	1
1.6	R20862	3/4" BACKUP #210	1	7	R08033	HP 68 x 3/4 x 4" SPRING	2
1.7	R20774	3/4" HYTREL ROD WIPER 52-750	1	8	R07910	1/4-20 UNC x 0.25 SET SCREW - ZINC	2
1.8	R20771	O-RING #11-210	1	9	R07881	3/4-10 UNC 2-WAY LOCK NUT - ZINC	2
1.9	508-09-00-039	WIPER BLOCK - JIC	1	10	R07887	5/8-11 UNC 2-WAY LOCK NUT - ZINC	1
1.10	R08198	1 9/16" INTERNAL SNAP RING	1	11	R07827	3/4 FLAT WASHER STD - ZINC	1
1.11	275-15-00-122	HYDRAULIC CYLINDER SHAFT	1	12	R07643	1/2-13 UNC x 4 HEX BOLT GR.5	1
1.12	R07885	1/2-13 UNC 2-WAY LOCK NUT - ZINC	1	13	R07885	1/2-13 UNC 2-WAY LOCK NUT - ZINC	1

# UNIVERSAL HYD MANIFOLD KIT-LYNCH



**NOTES:**

THIS SETUP IS FOR 4 HYDRAULIC FUNCTIONS, TO ADD ADDITIONAL FUNCTIONS ADD THE FOLLOWING:

**5 FUNCTIONS:**

- 2pc - R23509 - SUN DIRECTIONAL SPOOL VALVE 3W/2P
- 2pc - R23510 - SUN COIL-14VDC DEUTSCH 2-PIN

**6 FUNCTIONS:**

- 4pc - R23509 - SUN DIRECTIONAL SPOOL VALVE 3W/2P
- 4pc - R23510 - SUN COIL-14VDC DEUTSCH 2-PIN

*IF COUNTERBALANCE VALVE IS NEEDED R23334(x2)  
CAN BE USE IN PLACE OF P/O CHECK VALVE (COMMON CAVITY)*

**5 FUNCTIONS w/ P/O CHECK VALVE ON FUNCTION 6 (AUX):**

- 2pc - R23509 - SUN DIRECTIONAL SPOOL VALVE 3W/2P
- 2pc - R23510 - SUN COIL-14VDC DEUTSCH 2-PIN
- 2pc - R23511 - SUN P/O CHECK VALVE CARTRIDGE

**6 FUNCTIONS w/ P/O CHECK VALVE ON FUNCTION 6 (AUX):**

- 4pc - R23509 - SUN DIRECTIONAL SPOOL VALVE 3W/2P
- 4pc - R23510 - SUN COIL-14VDC DEUTSCH 2-PIN
- 4pc - R23511 - SUN P/O CHECK VALVE CARTRIDGE

PARTS LIST				PARTS LIST			
ITEM	PART NUMBER	DESCRIPTION	QTY	ITEM	PART NUMBER	DESCRIPTION	QTY
1	R23504	UNIVERSAL TRUCK MANIFOLD-LYNCH	1	7	R23508	DIN RAIL MOUNT DRIVER-LYNCH	1
2	385-37-01-000	MANIFOLD MOUNT ASSY-LYNCH	1	8	R21251	2-1/2" SS PRESSURE GAUGE 3000 PSI	1
3	385-37-00-632	JUNCTION BOX TO CAB PLATE	1	9	R08233	1/4-20 UNC x 0.625 HEX BOLT SS	2
4	385-37-00-633	BULKHEAD REINFORCING PLATE	2	10	R08234	1/4 LOCK WASHER - SS	2
5	385-37-00-634	LYNCH MANIFOLD COVER	1	11	R07637	1/2-13 UNC x 1 HEX BOLT GR.5	4
6	R23353	UNIVERSAL MANIFOLD CNTL BOX-LYNCH	1	12	R07805	1/2 LOCK WASHER - ZINC	4

## **GUARANTEE**

All Husky Farm Equipment manufactured by Husky Farm Equipment Limited is guaranteed. Guarantee covers all the replacement cost or repair of all parts said to be defective from manufacture. Guarantee also covers labour installing said parts, if installed at Husky Manufacturing plant. Time and use is the essence of the guarantee. If equipment is used on a private property for an individual's use, guarantee will be in effect for twelve months from date of invoice. If equipment is used for commercial use to do custom work for money then guarantee will be in effect for three months only from date of invoice.

## **EXEMPTIONS FROM GUARANTEE**

Cost of transportation of equipment to or from Husky Farm Equipment Limited either by customer or by Husky's service staff or cost of mail or public transportation is not covered. Tires and electric or hydraulic motors are covered by manufacturer's warranty and although Husky may assist to get warranty, Husky will not be responsible other than that allowed by manufacturer's warranty. Items subject to normal wear from use not covered by guarantee if faulty part is simply worn.