

Date Purchased _____ Machine Serial No. _____

Size of Spreader _____ Options _____

The key number system in this parts book is arranged as follows:

- Key numbers with two circles denotes main assemblies.
- Key numbers with one circle are individual parts

Please order parts by number



TRUCKMOUNT VACUUM TANK

7000L TM VACUUM – 370-00-00-000

9000L TM VACUUM – 371-00-00-000

12000L TM VACUUM – 372-00-00-000

14000L TM VACUUM – 373-00-00-000

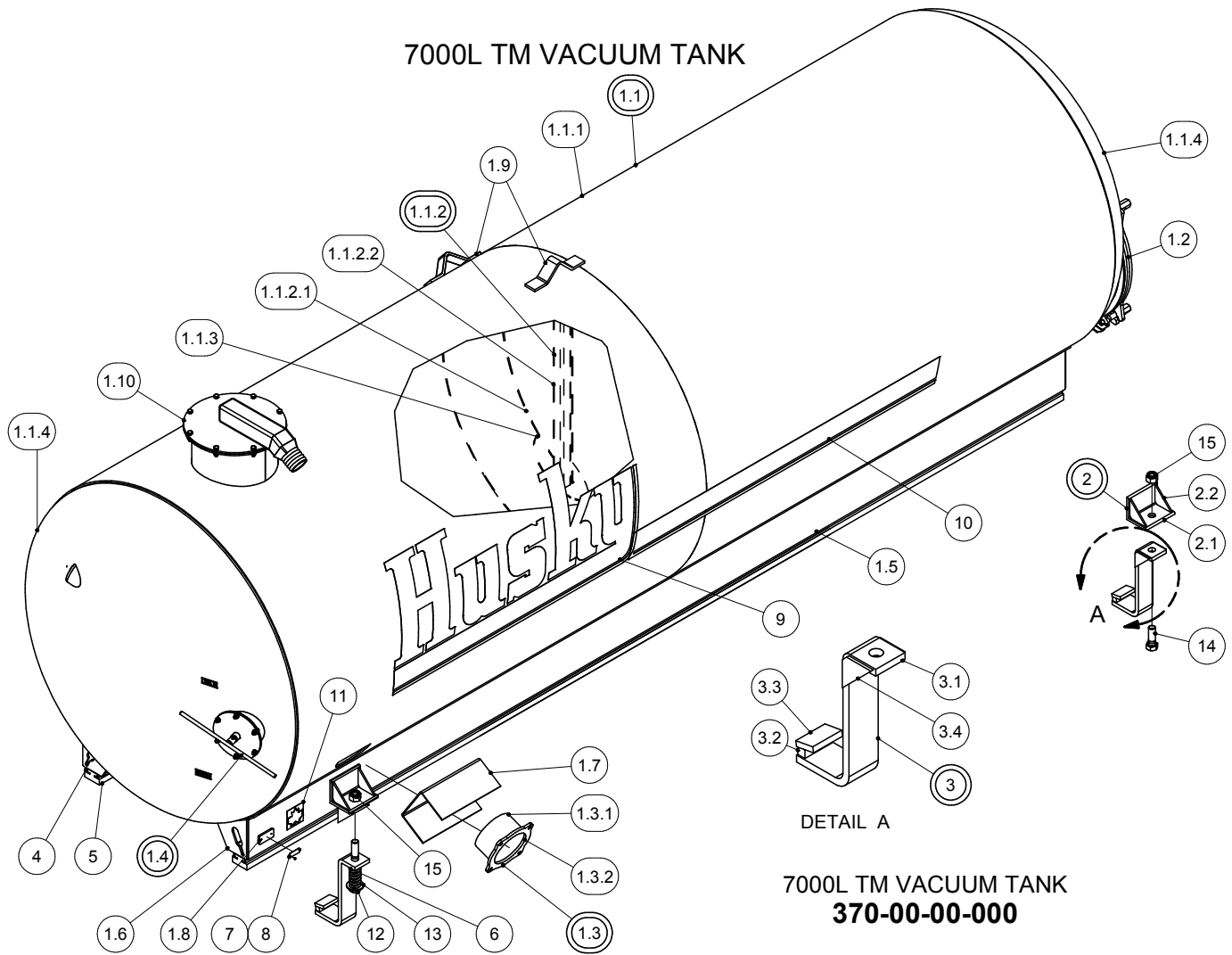
15000L TM VACUUM – 377-00-00-000

18000L TM VACUUM – 374-00-00-000

OPERATING INSTRUCTIONS:

1. Do not operate machine until you fully understand the safe operating practices.
2. Make sure all moving parts are shielded to prevent coming in contact with clothing.
3. Vacuum pumps require lubricating oil at all times, make sure oil is in pump and drip oiler is set at approximately 30 drops per minute.
4. Never open manhole hatch while tank is pressurized, always depressurize before opening.
5. Your Vacuum tank is equipped with a pressure safety relief valve to protect against over pressurizing the tank. Never remove or tamper with relief valve or try to pressurize higher than valve setting.
6. Most vacuum pumps are designed for intermittent duty. Do not run pump on a continual basis without cooling options or pump will overheat.
7. **EXTREME DANGER** – Never enter a dirty manure spreader or storage tank – one breath of hydrogen sulphide gas is enough to kill. Have a ladder in your pit, so that if by accident you should fall in, you can get out.

7000L TM VACUUM TANK

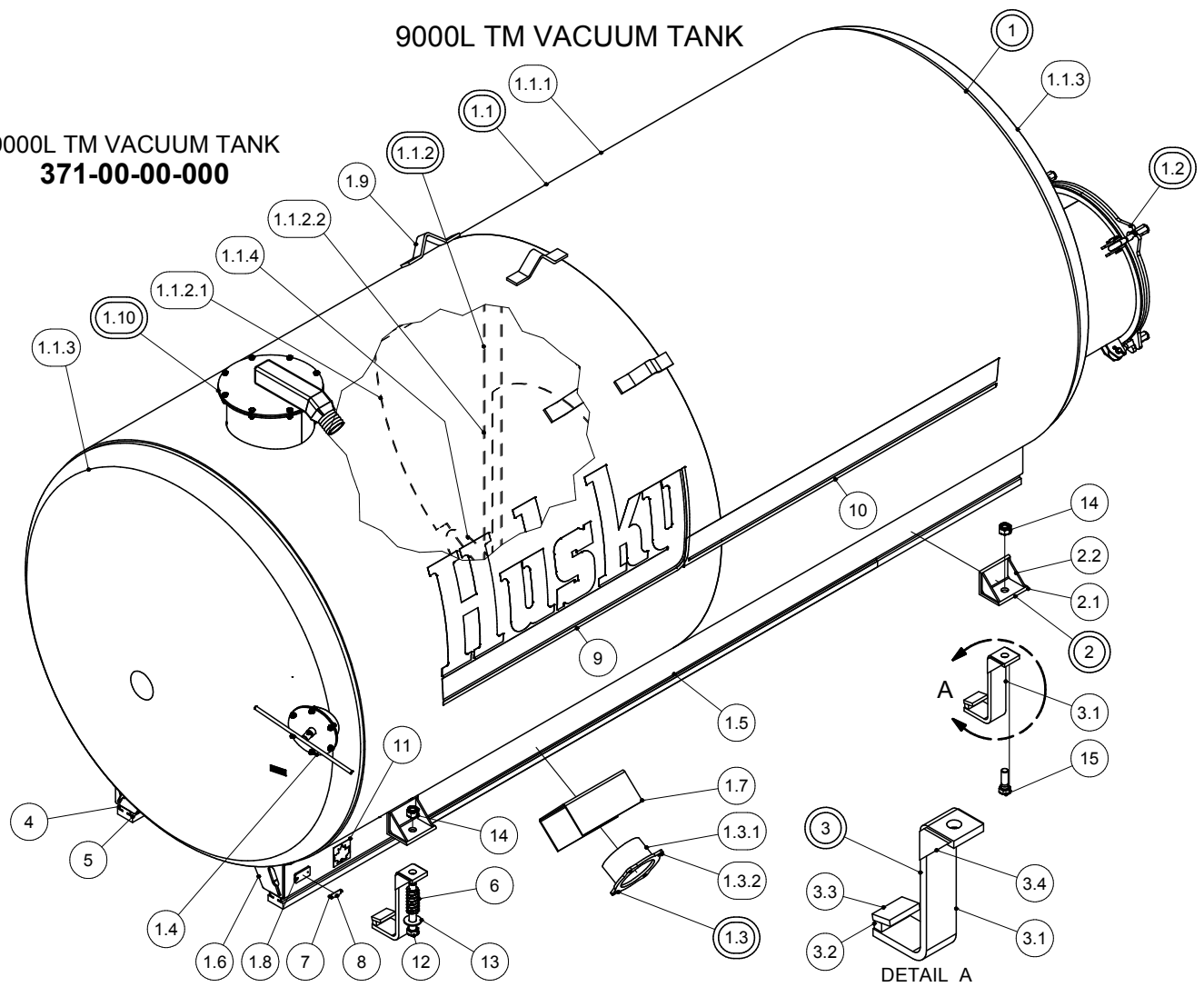


**7000L TM VACUUM TANK
370-00-00-000**

PARTS LIST				PARTS LIST			
ITEM	PART NUMBER	DESCRIPTION	QTY	ITEM	PART NUMBER	DESCRIPTION	QTY
1	370-04-00-000	7000L TANK & SILL ASSY	1	2.1	316-22-00-012	HOLD DOWN ANGLE BRKTS	1
1.1	366-21-13-000	7000L TANK ASSY	1	2.2	316-22-00-035	HOLD DOWN ANGLE GUSSET	2
1.1.1	366-21-13-084	7000L TANK SHELL	2	3	316-24-00-000	HOLD DOWN ASSY	4
1.1.2	365-40-01-000	54" DIA BAFFLE ASSY	1	3.1	316-24-00-044	BRKT MAIN PC	1
1.1.2.1	365-40-30-530	5700L FLANGED TANK BAFFLE	1	3.2	316-24-00-045	SPACER BAR	1
1.1.2.2	365-40-01-664	5800L BAFFLE SUPPORT TUBE	2	3.3	316-24-00-046	HOLD DOWN RETURN	1
1.1.3	340-01-01-559	OVAL REINFORCING PLATE	2	3.4	316-24-00-047	GUSSET	2
1.1.4	R09844	54" ROUND TANK END	2	4	R10482	RUBBER MOUNTING SILL CHANNEL	4
1.2	376-02-00-000	FLAT VACUUM HATCH COMPLETE-24"	1	5	R10483	RUBBER T-STRIP	4
1.3	368-01-72-000	6" VALVE FLANGE ASSY	1	6	R08034	HP 88 1 x 4 SPRING	2
1.3.1	368-01-27-168	SIDE VALVE NIPPLE	1	7	R08152	#6 x 1/4" PAN HD SOCKET SCREW	2
1.3.2	368-01-72-351	6" VALVE FLANGE	1	8	R09071	SERIAL NUMBER PLATE	1
1.4	330-20-00-000	SIGHT GAUGE KIT	1	9	R09510	"HUSKY" DECAL	2
1.5	370-04-00-008	7000L SILL	2	10	R09511	ACCENT STRIP	2
1.6	370-04-00-009	SILL CAP	4	11	R09509	"MADE IN CANADA" DECAL - LARGE	1
1.7	368-01-00-234	DEFLECTOR PLATE	1	12	R07669	1-8 UNC x 8 HEX BOLT GR.8	2
1.8	340-01-00-498	SERIAL NO. BACK PLATE	1	13	R07828	1 FLAT WASHER STD - ZINC	2
1.9	300-01-00-012	TANK LIFT HOOK	3	14	R07663	1-8 UNC x 3 HEX BOLT GR.8	2
1.10	376-08-00-000	3" TOP INLET PRIMARY TRAP KIT	1	15	R08246	1-8 UNC NYLOCK NUT - ZINC	4
2	316-22-00-000	HOLD DOWN BRKT ASSY	4				

9000L TM VACUUM TANK

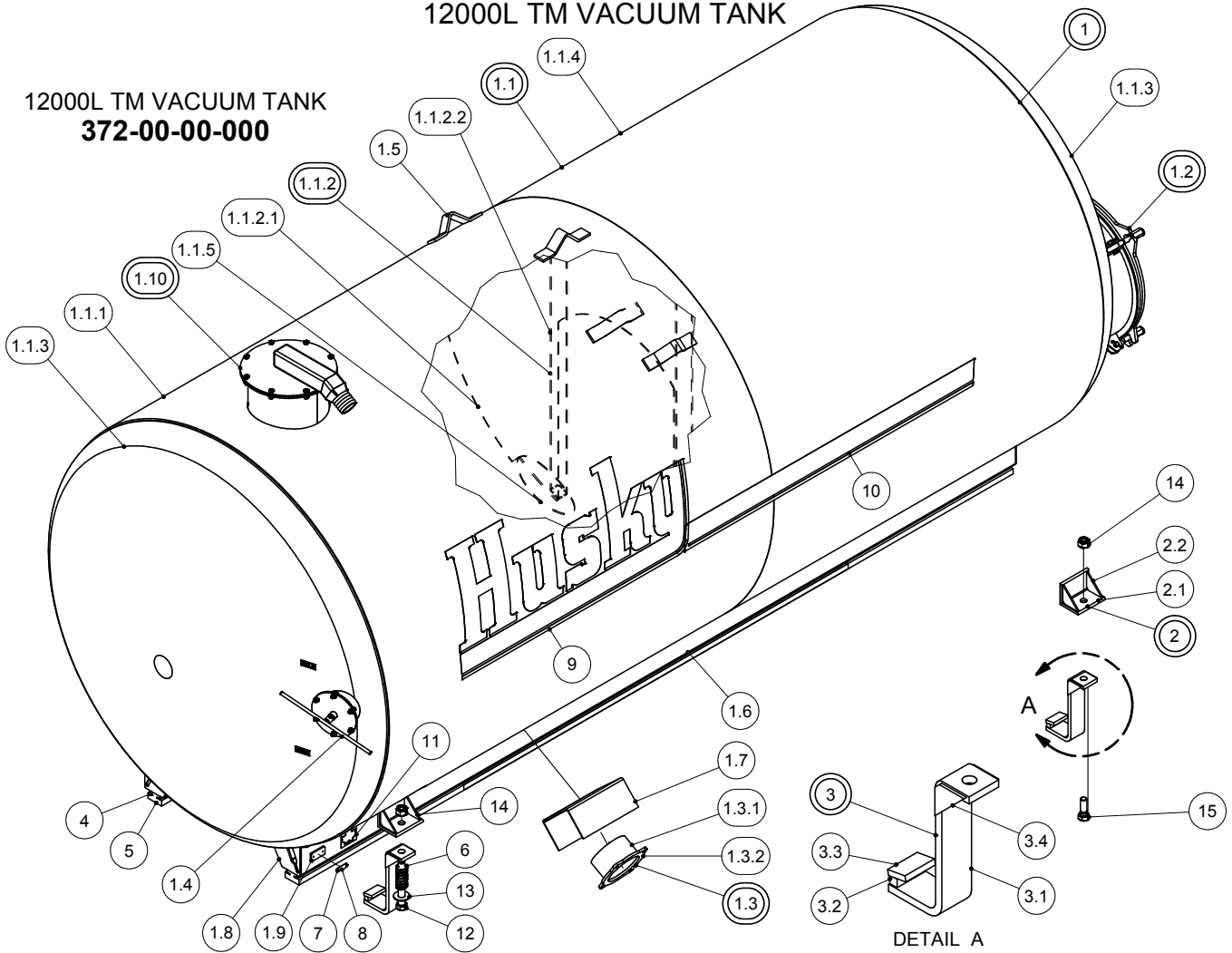
9000L TM VACUUM TANK
371-00-00-000



PARTS LIST				PARTS LIST			
ITEM	PART NUMBER	DESCRIPTION	QTY	ITEM	PART NUMBER	DESCRIPTION	QTY
1	371-03-00-000	9000L TANK & SILL ASSY	1	2.1	316-22-00-012	HOLD DOWN ANGLE BRKTS	1
1.1	367-18-10-000	9000L TANK ASSY	1	2.2	316-22-00-035	HOLD DOWN ANGLE GUSSET	2
1.1.1	367-18-10-073	9000L TANK SHELL	2	3	316-24-00-000	HOLD DOWN ASSY	4
1.1.2	367-18-12-000	BAFFLE ASSY-66" DIA	1	3.1	316-24-00-044	BRKT MAIN PC	1
1.1.2.1	367-18-10-074	9000 L BAFFLE-66" DIAMETER	1	3.2	316-24-00-045	SPACER BAR	1
1.1.2.2	367-18-12-663	9000L BAFFLE SUPPORT TUBE	2	3.3	316-24-00-046	HOLD DOWN RETURN	1
1.1.3	R09843	66" DIA FL & DISHED HEAD	2	3.4	316-24-00-047	GUSSET	2
1.1.4	340-01-01-559	OVAL REINFORCING PLATE	2	4	R10482	RUBBER MOUNTING SILL CHANNEL	4
1.2	376-02-00-000	FLAT VACUUM HATCH COMPLETE-24"	1	5	R10483	RUBBER T-STRIP	4
1.3	368-01-72-000	6" VALVE FLANGE ASSY	1	6	R08034	HP 88 1 x 4 SPRING	2
1.3.1	368-01-27-168	SIDE VALVE NIPPLE	1	7	R08152	#6 x 1/4" PAN HD SOCKET SCREW	2
1.3.2	368-01-72-351	6" VALVE FLANGE	1	8	R09071	SERIAL NUMBER PLATE	1
1.4	330-20-00-000	SIGHT GAUGE KIT	1	9	R09510	"HUSKY" DECAL	2
1.5	371-03-00-005	9000L SILL	2	10	R09511	ACCENT STRIP	2
1.6	371-03-00-006	SILL CAP	4	11	R09509	"MADE IN CANADA" DECAL - LARGE	1
1.7	368-01-00-234	DEFLECTOR PLATE	1	12	R07669	1-8 UNC x 8 HEX BOLT GR.8	2
1.8	340-01-00-498	SERIAL NO. BACK PLATE	1	13	R07828	1 FLAT WASHER STD - ZINC	2
1.9	300-01-00-012	TANK LIFT HOOK	3	14	R08246	1-8 UNC NYLOCK NUT - ZINC	4
1.10	376-08-00-000	3" TOP INLET PRIMARY TRAP KIT	1	15	R07663	1-8 UNC x 3 HEX BOLT GR.8	2
2	316-22-00-000	HOLD DOWN BRKT ASSY	4				

12000L TM VACUUM TANK

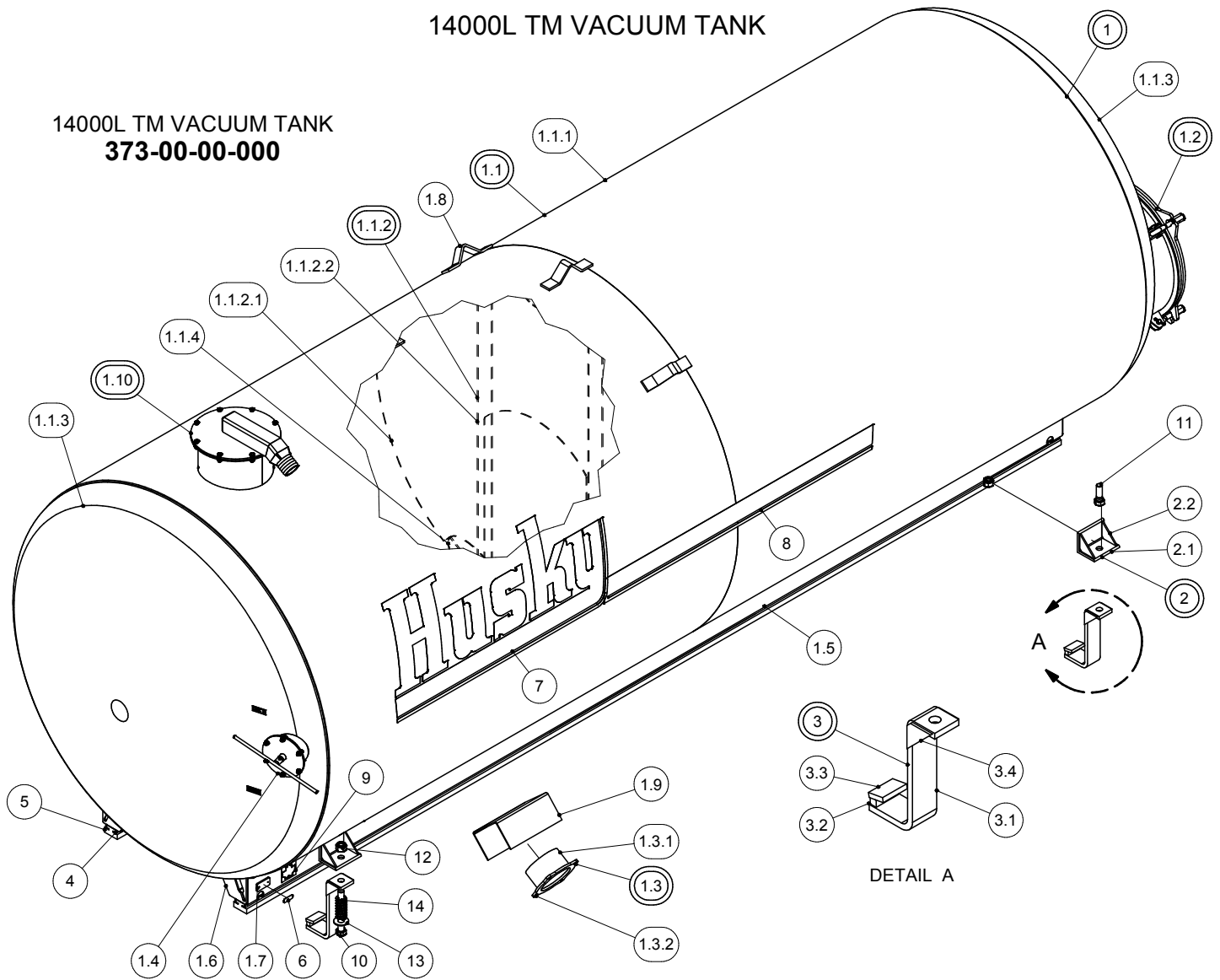
**12000L TM VACUUM TANK
372-00-00-000**



PARTS LIST				PARTS LIST			
ITEM	PART NUMBER	DESCRIPTION	QTY	ITEM	PART NUMBER	DESCRIPTION	QTY
1	372-01-00-000	TANK & SILL ASSY	1	2	316-22-00-000	HOLD DOWN BRKT ASSY	4
1.1	368-01-01-000	12000L TANK ASSY	1	2.1	316-22-00-012	HOLD DOWN ANGLE BRKTS	1
1.1.1	368-01-01-009	12000L TANK SHELL	1	2.2	316-22-00-035	HOLD DOWN ANGLE GUSSET	2
1.1.2	368-01-09-000	72" DIA BAFFLE ASSY	1	3	316-24-00-000	HOLD DOWN ASSY	4
1.1.2.1	368-01-01-010	12 & 14000L BAFFLE - 72" DIA TANK	1	3.1	316-24-00-044	BRKT MAIN PC	1
1.1.2.2	368-01-09-661	72" DIA BAFFLE REINFORCING TUBE	2	3.2	316-24-00-045	SPACER BAR	1
1.1.3	R09826	72" OD FL & DSH HEAD 1/4"	2	3.3	316-24-00-046	HOLD DOWN RETURN	1
1.1.4	368-01-01-008	12000L TANK SHELL	1	3.4	316-24-00-047	GUSSET	2
1.1.5	340-01-01-559	OVAL REINFORCING PLATE	2	4	R10482	RUBBER MOUNTING SILL CHANNEL	4
1.2	376-02-00-000	FLAT VACUUM HATCH COMPLETE-24"	1	5	R10483	RUBBER T-STRIP	4
1.3	368-01-72-000	6" VALVE FLANGE ASSY	1	6	R08034	HP 88 1 x 4 SPRING	2
1.3.1	368-01-27-168	SIDE VALVE NIPPLE	1	7	R08152	#6 x 1/4" PAN HD SOCKET SCREW	2
1.3.2	368-01-72-351	6" VALVE FLANGE	1	8	R09071	SERIAL NUMBER PLATE	1
1.4	330-20-00-000	SIGHT GAUGE KIT	1	9	R09510	"HUSKY" DECAL	2
1.5	300-01-00-012	TANK LIFT HOOK	3	10	R09511	ACCENT STRIP	2
1.6	372-01-00-001	12000L TM SILL	2	11	R09509	"MADE IN CANADA" DECAL - LARGE	1
1.7	368-01-00-234	DEFLECTOR PLATE	2	12	R07669	1-8 UNC x 8 HEX BOLT GR.8	2
1.8	372-01-00-002	SILL CAP	4	13	R07828	1 FLAT WASHER STD - ZINC	2
1.9	340-01-00-498	SERIAL NO. BACK PLATE	1	14	R08246	1-8 UNC NYLOCK NUT - ZINC	4
1.10	376-08-00-000	3" TOP INLET PRIMARY TRAP KIT	1	15	R07663	1-8 UNC x 3 HEX BOLT GR.8	2

14000L TM VACUUM TANK

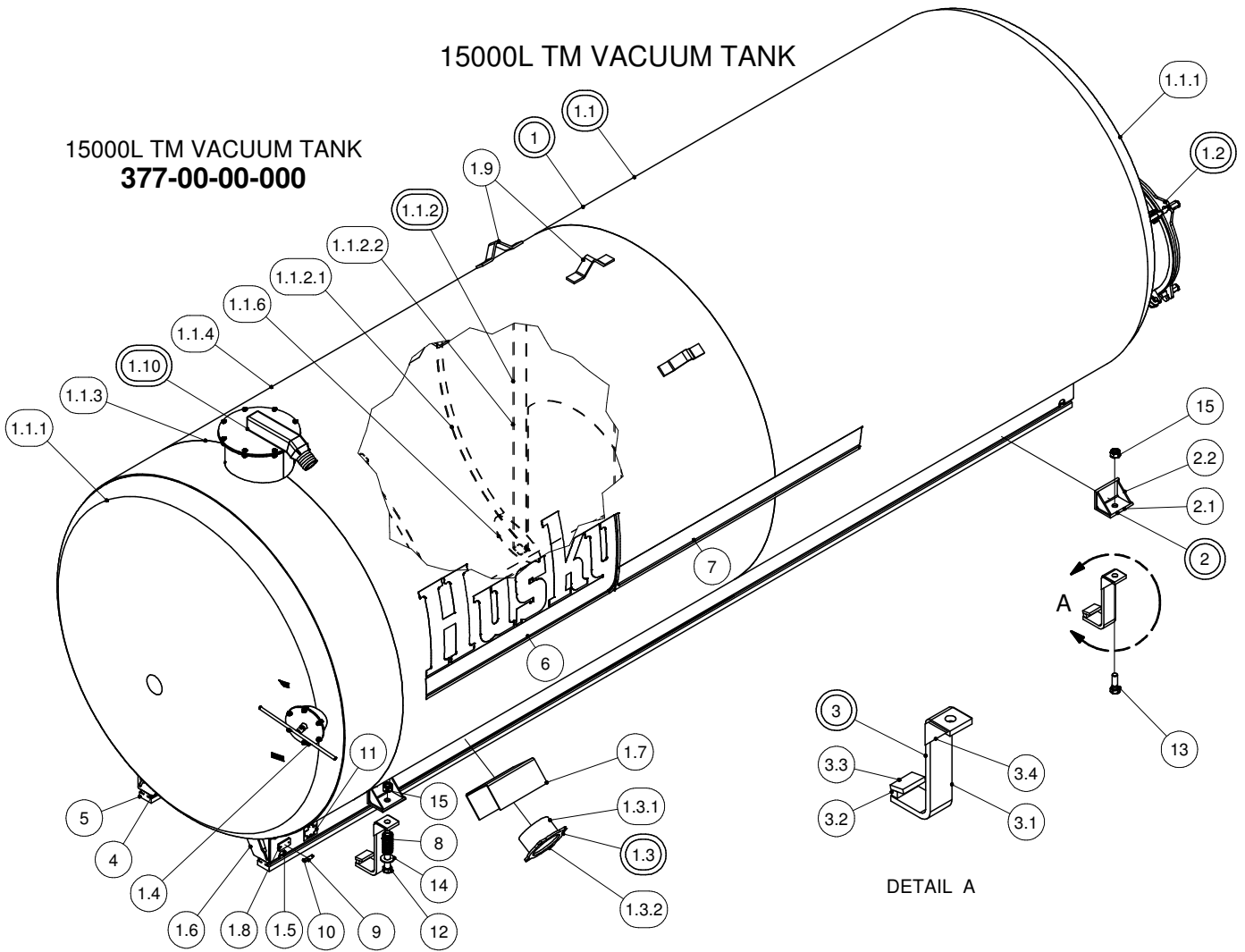
**14000L TM VACUUM TANK
373-00-00-000**



PARTS LIST				PARTS LIST			
ITEM	PART NUMBER	DESCRIPTION	QTY	ITEM	PART NUMBER	DESCRIPTION	QTY
1	373-02-00-000	14000L TANK & SILL ASSY	1	2	316-22-00-000	HOLD DOWN BRKT ASSY	4
1.1	369-19-12-000	14000L TANK ASSY	1	2.1	316-22-00-012	HOLD DOWN ANGLE BRKTS	1
1.1.1	369-19-12-080	14000L TANK SHELL	2	2.2	316-22-00-035	HOLD DOWN ANGLE GUSSET	2
1.1.2	368-01-09-000	72" DIA BAFFLE ASSY	2	3	316-24-00-000	HOLD DOWN ASSY	4
1.1.2.1	368-01-01-010	12 & 14000L BAFFLE - 72" DIA TANK	1	3.1	316-24-00-044	BRKT MAIN PC	1
1.1.2.2	368-01-09-661	72" DIA BAFFLE REINFORCING TUBE	2	3.2	316-24-00-045	SPACER BAR	1
1.1.3	R09826	72" OD FL & DSH HEAD 1/4"	2	3.3	316-24-00-046	HOLD DOWN RETURN	1
1.1.4	340-01-01-559	OVAL REINFORCING PLATE	4	3.4	316-24-00-047	GUSSET	2
1.2	376-02-00-000	FLAT VACUUM HATCH COMPLETE-24"	1	4	R10482	RUBBER MOUNTING SILL CHANNEL	4
1.3	368-01-72-000	6" VALVE FLANGE ASSY	1	5	R10483	RUBBER T-STRIP	4
1.3.1	368-01-27-168	SIDE VALVE NIPPLE	1	6	R09071	SERIAL NUMBER PLATE	1
1.3.2	368-01-72-351	6" VALVE FLANGE	1	7	R09510	"HUSKY" DECAL	2
1.4	330-20-00-000	SIGHT GAUGE KIT	1	8	R09511	ACCENT STRIP	2
1.5	373-02-00-004	14000L TM SILL	2	9	R09509	"MADE IN CANADA" DECAL - LARGE	1
1.6	372-01-00-002	SILL CAP	4	10	R07669	1-8 UNC x 8 HEX BOLT GR.8	2
1.7	340-01-00-498	SERIAL NO. BACK PLATE	1	11	R07663	1-8 UNC x 3 HEX BOLT GR.8	2
1.8	300-01-00-012	TANK LIFT HOOK	3	12	R08246	1-8 UNC NYLOCK NUT - ZINC	4
1.9	368-01-00-234	DEFLECTOR PLATE	1	13	R07828	1 FLAT WASHER STD - ZINC	2
1.10	376-08-00-000	3" TOP INLET PRIMARY TRAP KIT	1	14	R08034	HP 88 1 x 4 SPRING	2

15000L TM VACUUM TANK

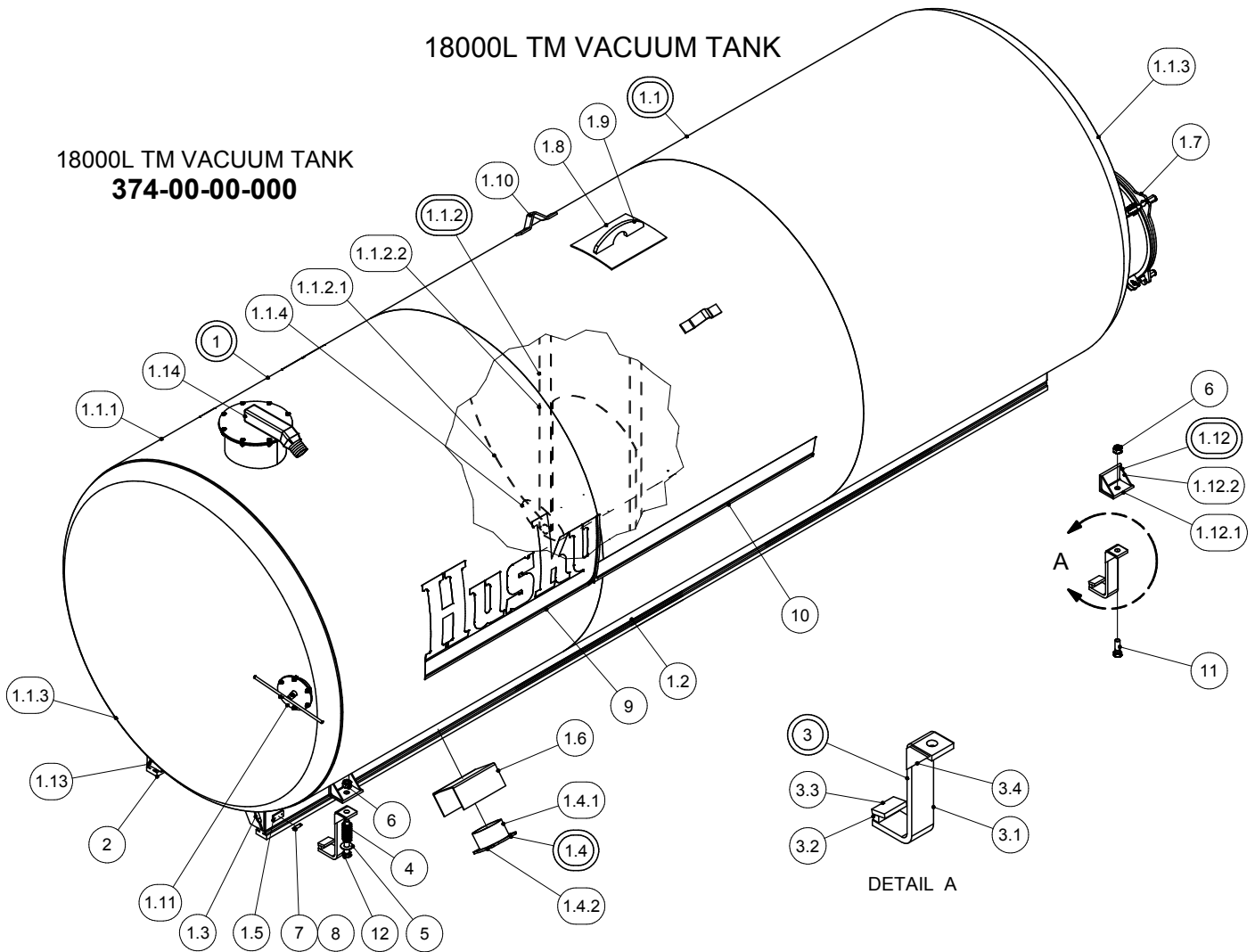
15000L TM VACUUM TANK
377-00-00-000



PARTS LIST				PARTS LIST			
ITEM	PART NUMBER	DESCRIPTION	QTY	ITEM	PART NUMBER	DESCRIPTION	QTY
1	377-01-00-000	15000L TANK & SILL ASSY	1	2	316-22-00-000	HOLD DOWN BRKT ASSY	4
1.1	376-01-02-000	15000L TANK ASSY	1	2.1	316-22-00-012	HOLD DOWN ANGLE BRKTS	1
1.1.1	R09826	72" OD FL & DSH HEAD 1/4"	2	2.2	316-22-00-035	HOLD DOWN ANGLE GUSSET	2
1.1.2	368-01-09-000	72" DIA BAFFLE ASSY	2	3	316-24-00-000	HOLD DOWN ASSY	4
1.1.2.1	368-01-01-010	12 & 14000L BAFFLE - 72" DIA TANK	1	3.1	316-24-00-044	BRKT MAIN PC	1
1.1.2.2	368-01-09-661	72" DIA BAFFLE REINFORCING TUBE	2	3.2	316-24-00-045	SPACER BAR	1
1.1.3	376-01-02-497	15000L SHORT SHELL	1	3.3	316-24-00-046	HOLD DOWN RETURN	1
1.1.4	369-19-12-080	14000L TANK SHELL	2	3.4	316-24-00-047	GUSSET	2
1.1.5	340-01-01-559	OVAL REINFORCING PLATE	4	4	R10482	RUBBER MOUNTING SILL CHANNEL	4
1.2	376-02-00-000	FLAT VACUUM HATCH COMPLETE-24"	1	5	R10483	RUBBER T-STRIP	4
1.3	368-01-72-000	6" VALVE FLANGE ASSY	1	6	R09510	"HUSKY" DECAL	2
1.3.1	368-01-27-168	SIDE VALVE NIPPLE	1	7	R09511	ACCENT STRIP	2
1.3.2	368-01-72-351	6" VALVE FLANGE	1	8	R08034	HP 88 1 x 4 SPRING	2
1.4	330-20-00-000	SIGHT GAUGE KIT	1	9	R09071	SERIAL NUMBER PLATE	1
1.5	377-01-00-066	15000L TM SILL	2	10	R08152	6 x 1/4 PAN HD SOCKET SCREW	2
1.6	372-01-00-002	SILL CAP	4	11	R09509	"MADE IN CANADA" DECAL - LARGE	1
1.7	368-01-00-234	DEFLECTOR PLATE	1	12	R07669	1-8 UNC x 8 HEX BOLT GR.8	2
1.8	340-01-00-498	SERIAL NO. BACK PLATE	1	13	R07663	1-8 UNC x 3 HEX BOLT GR.8	2
1.9	300-01-00-012	TANK LIFT HOOK	3	14	R07828	1 FLAT WASHER STD - ZINC	2
1.10	376-08-00-000	3" TOP INLET PRIMARY TRAP KIT	1	15	R08246	1-8 UNC NYLOCK NUT - ZINC	4

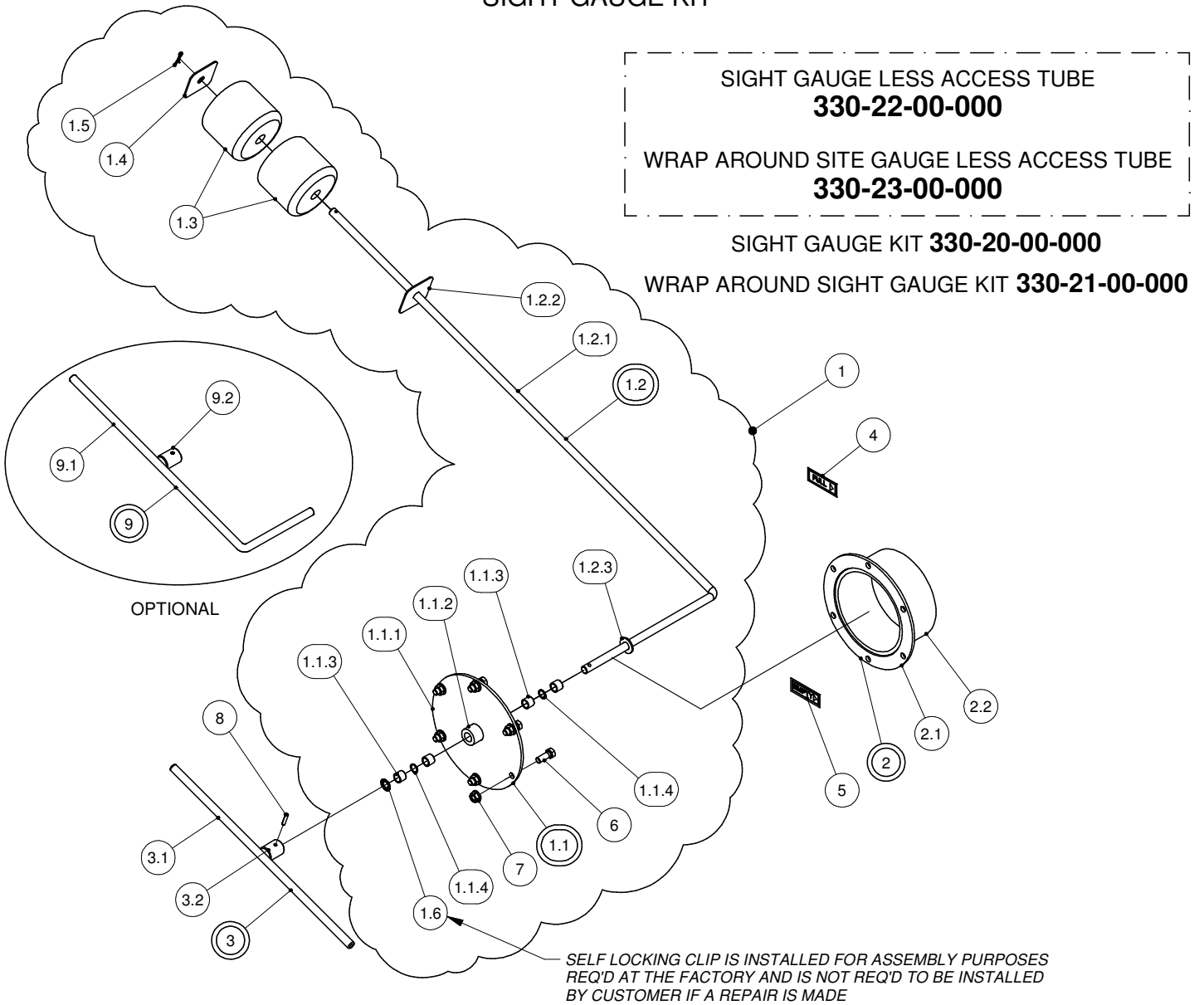
18000L TM VACUUM TANK

18000L TM VACUUM TANK
374-00-00-000



PARTS LIST				PARTS LIST			
ITEM	PART NUMBER	DESCRIPTION	QTY	ITEM	PART NUMBER	DESCRIPTION	QTY
1	374-18-00-000	18000L VACUUM TANK & SILL ASSY-78Ø	1	1.12	316-22-00-000	HOLD DOWN BRKT ASSY	4
				1.12.1	316-22-00-012	HOLD DOWN ANGLE BRKTS	1
1.1	375-67-66-000	18000L TANK ASSY (78" DIA)	1	1.12.2	316-22-00-035	HOLD DOWN ANGLE GUSSET	2
1.1.1	375-67-66-315	78" DIA SHELL	3	1.13	R10482	RUBBER MOUNTING SILL CHANNEL	6
1.1.2	375-67-01-000	78" DIA BAFFLE ASSY-NOT FLANGED	2	1.14	376-08-00-000	3" TOP INLET PRIMARY TRAP KIT	1
1.1.2.1	375-67-66-317	78" DIA BAFFLE	1	2	R10483	RUBBER T-STRIP	4
1.1.2.2	375-67-01-662	18000L BAFFLE SUPPORT TUBE	2	3	316-24-00-000	HOLD DOWN ASSY	4
1.1.3	R09911	78" DIA HEAD	2	3.1	316-24-00-044	BRKT MAIN PC	1
1.1.4	340-01-01-559	OVAL REINFORCING PLATE	4	3.2	316-24-00-045	SPACER BAR	1
1.2	374-00-00-039	SILL FOR 78" DIA TANK	2	3.3	316-24-00-046	HOLD DOWN RETURN	1
1.3	374-00-00-047	SILL CAP-78" DIAMETER TANK	4	3.4	316-24-00-047	GUSSET	2
1.4	368-01-72-000	6" VALVE FLANGE ASSY	1	4	R08034	HP 88 1 x 4 SPRING	2
1.4.1	368-01-27-168	SIDE VALVE NIPPLE	1	5	R07828	1 FLAT WASHER STD - ZINC	2
1.4.2	368-01-72-351	6" VALVE FLANGE	1	6	R08246	1-8 UNC NYLOCK NUT - ZINC	4
1.5	340-01-00-498	SERIAL NO. BACK PLATE	1	7	R09071	SERIAL NUMBER PLATE	1
1.6	368-01-00-234	DEFLECTOR PLATE	1	8	R08152	#6 x 1/4" PAN HD SOCKET SCREW	2
1.7	376-02-00-000	FLAT VACUUM HATCH COMPLETE-24"	1	9	R09510	"HUSKY" DECAL	2
1.8	340-01-00-546	LIFT HOOK REINFORCING PLATE	1	10	R09511	ACCENT STRIP	2
1.9	340-01-00-555	CENTER LIFT HOOK	1	11	R07663	1-8 UNC x 3 HEX BOLT GR.8	2
1.10	300-01-00-012	TANK LIFT HOOK	2	12	R07669	1-8 UNC x 8 HEX BOLT GR.8	2
1.11	330-20-00-000	SIGHT GAUGE KIT	1				

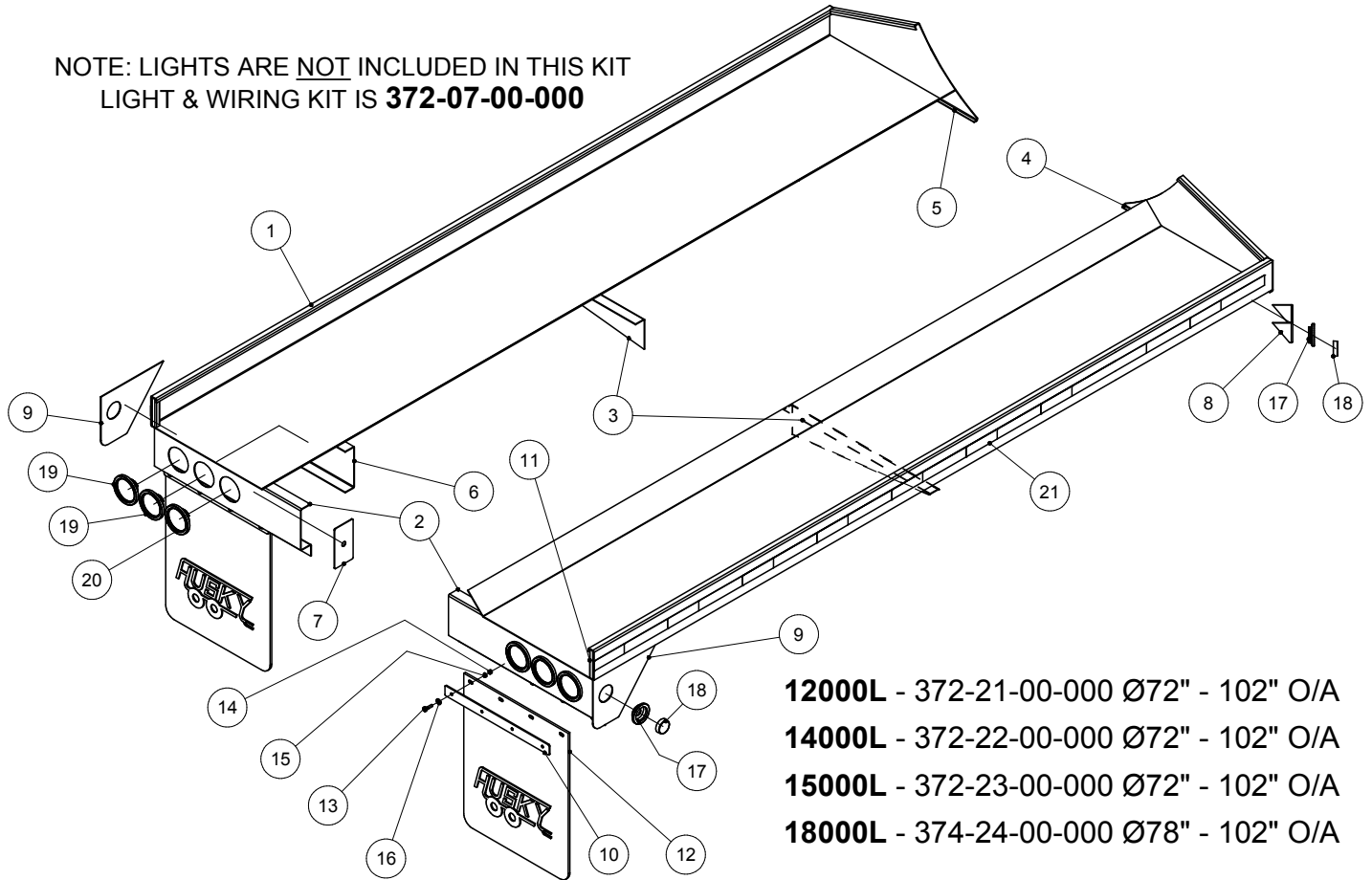
SIGHT GAUGE KIT



PARTS LIST				PARTS LIST			
ITEM	PART NUMBER	DESCRIPTION	QTY	ITEM	PART NUMBER	DESCRIPTION	QTY
1	330-22-01-000	SIGHT GAUGE w/o INDICATOR	1	2	330-20-03-000	ACCESS TUBE ASSY	1
1.1	330-20-04-000	COVER PLATE ASSY	1	2.1	330-20-03-560	ACCESS TUBE FLANGE	1
1.1.1	330-20-00-557	COVER PLATE	1	2.2	330-20-03-556	ACCESS TUBE	1
1.1.2	330-20-04-562	BUSHING HOLDER	1	3	330-20-02-000	INDICATOR ARM ASSY	1
1.1.3	R21173	1/2 x 5/8 x 1/2" BRONZE BUSHING	4	3.1	330-20-02-554	INDICATOR ARM	1
1.1.4	R20865	O-RING #11-014	2	3.2	330-20-02-553	INDICATOR ARM HUB	1
1.2	330-20-01-000	FLOAT ARM ASSY	1	4	R09529	"FULL" DECAL	1
1.2.1	330-20-01-551	FLOAT ARM	1	5	R09530	"EMPTY" DECAL	1
1.2.2	330-20-01-552	FLOAT STRAPS	1	6	R07619	3/8-16 UNC x 1 HEX BOLT GR.5	6
1.2.3	R08222	1/2 FLAT WASHER SAE - SS	1	7	R07794	3/8-16 UNC FLANGE NUT - ZINC	6
1.3	R09524	FLOAT	2	8	R08241	3/16 x 1 ROLL PIN - SS	1
1.4	330-20-01-552	FLOAT STRAPS	1	9	330-21-01-000	WRAP AROUND SITE ARM ASSY	1
1.5	R08021	1/8 x 1 S.S. COTTER PIN	1	9.1	330-19-46-546	WRAP AROUND SITE ARM	1
1.6	R08514	1/2" EXT. RETAINING RING	1	9.2	330-20-02-553	INDICATOR ARM HUB	1

TMV CATWALKS - 102" O/A

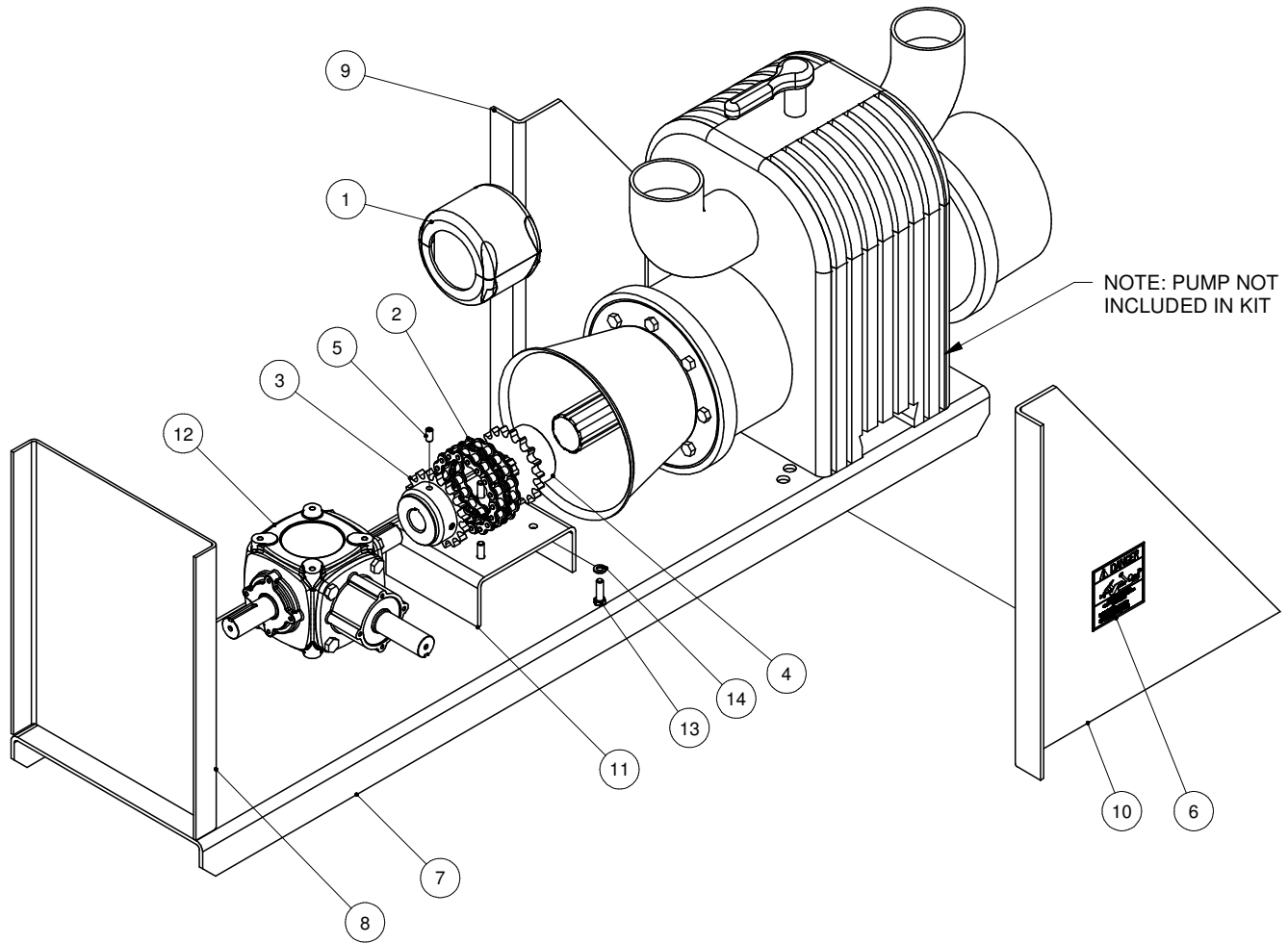
NOTE: LIGHTS ARE NOT INCLUDED IN THIS KIT
 LIGHT & WIRING KIT IS **372-07-00-000**



- 12000L** - 372-21-00-000 Ø72" - 102" O/A
- 14000L** - 372-22-00-000 Ø72" - 102" O/A
- 15000L** - 372-23-00-000 Ø72" - 102" O/A
- 18000L** - 374-24-00-000 Ø78" - 102" O/A

PARTS LIST			
ITEM	PART NUMBER	DESCRIPTION	QTY
1	372-00-00-028	FULL LENGTH FENDER-Ø72" - 102" O/A	4
2	372-00-00-027	REAR SUPPORT LH & RH	2
3	372-00-00-026	CENTRE SUPPORT LH & RH	2
4	372-23-00-136	RH FRONT SUPPORT W/CUTOUT	1
5	372-23-00-137	LH FRONT SUPPORT W/CUTOUT	1
6	372-00-00-071	TAIL LIGHT COVER	2
7	372-00-00-072	TAIL LITE BRKT END PLATE	2
8	372-00-00-073	FRONT CLEARANCE LITE BRKT-RD	2
9	372-00-00-134	REAR CLEARANCE LIGHT BRKT	2
10	332-27-00-083	MUDFLAP CLAMP STRAP	2
11	372-00-00-067	CATWALK FILLER TUBE	2
12	R09528	HUSKY MUDFLAP	2
13	R07620	3/8-16 UNC x 1.5 HEX BOLT GR.5	8
14	R07783	3/8-16 UNC HEX NUT - ZINC	8
15	R07803	3/8 LOCK WASHER - ZINC	8
16	R07823	3/8 FLAT WASHER STD - ZINC	8
17	R10355	Ø2 1/2" RUBBER MOUNT	4
18	R10586	Ø2 1/2" LED RED CLEARANCE LIGHT	4
19	R10358	4" RED LED LIGHT KIT	4
20	R10587	LED BACKUP LIGHT KIT	2
21	R10361	REFLECTOR TAPE - RED/SILVER	4

DIRECT VACUUM DRIVE KIT



PARTS LIST			
ITEM	PART NUMBER	DESCRIPTION	QTY
1	R20617	60 - 18 COUPLING COVER	1
2	R20883	60-18 COUPLING CHAIN	1
3	384-02-00-007	60B - 18 SPR.-1 1/4" STR SHAFT	1
4	384-02-00-072	SPROCKET FOR 6 TOOTH SPLINE	1
5	R07911	3/8 x 3/4 UNC SET SCREW	2
6	R21521	"ROTATING DRIVE LINE" DECAL	1
7	372-00-00-038	PUMP MOUNT CHANNEL	1
8	372-00-00-037	RH SUPPORT	1
9	372-00-00-035	MOUNT CHANNEL SUPPORT	1
10	372-00-00-035 RH	MOUNT CHANNEL SUPPORT	1
11	372-00-00-036	GEAR BOX MOUNT	1
12	R21739	T-19A (1:1) GEARBOX - 259.066.1	1
13	R07675	3/8 x 1 1/4 UNC HEX BOLT	4
14	R07803	3/8" LOCK WASHER	4

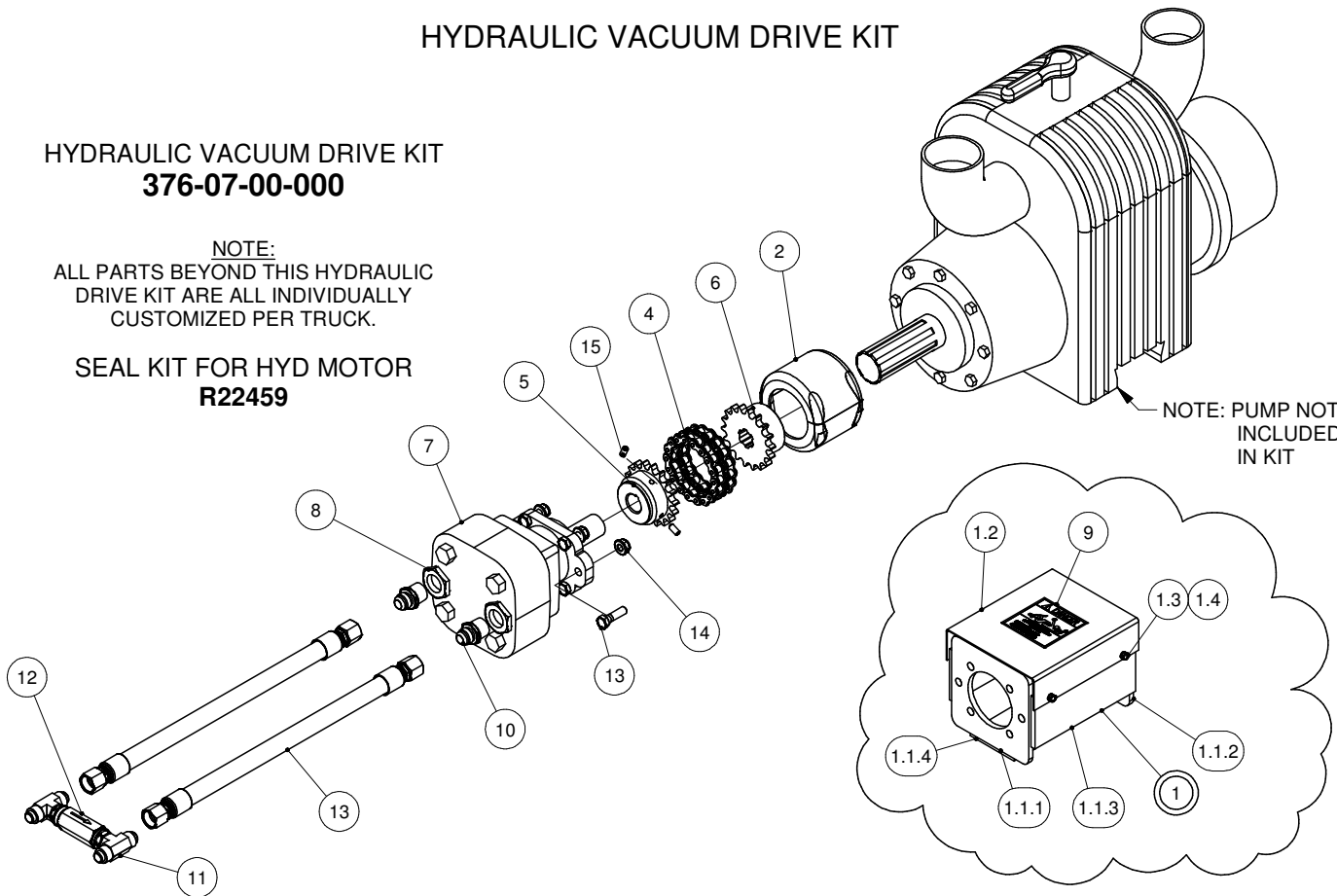
HYDRAULIC VACUUM DRIVE KIT

HYDRAULIC VACUUM DRIVE KIT 376-07-00-000

NOTE:
ALL PARTS BEYOND THIS HYDRAULIC
DRIVE KIT ARE ALL INDIVIDUALLY
CUSTOMIZED PER TRUCK.

SEAL KIT FOR HYD MOTOR R22459

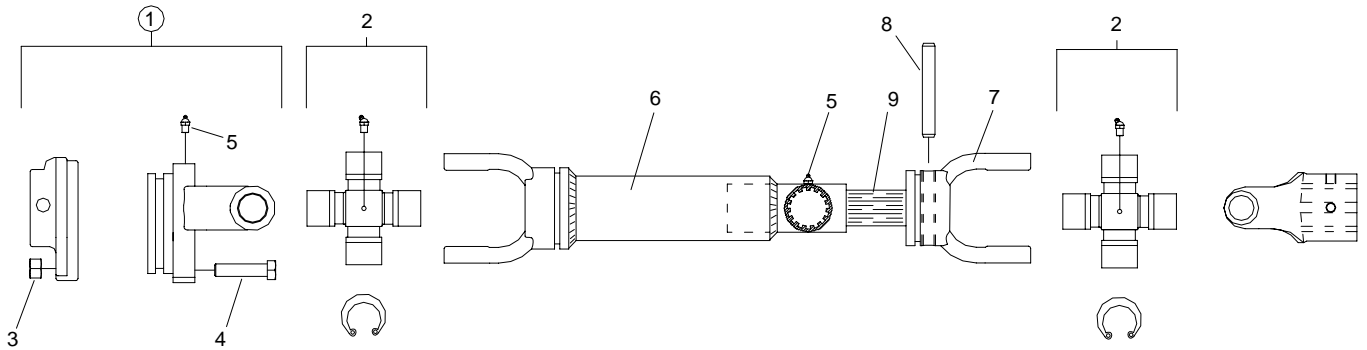
**NOTE: PUMP NOT
INCLUDED
IN KIT**



PARTS LIST

ITEM	PART NUMBER	DESCRIPTION	QTY
1	375-98-00-000	HYDRAULIC MOUNT KIT FOR JUROP VAC PUMP	1
1.1	375-98-01-000	HYDRAULIC DRIVE BOX ASSY	1
1.1.1	375-99-01-472	HYDRAULIC MOTOR PLATE	1
1.1.2	375-99-01-473	VACUUM PUMP PLATE	1
1.1.3	375-98-01-488	SIDE TIE PLATE	2
1.1.4	375-98-01-489	BOTTOM TIE PLATE	1
1.2	375-98-00-490	COVER PLATE	1
1.3	R07698	1/4-20 UNC x 0.5 HEX BOLT GR.5	4
1.4	R07801	1/4 LOCK WASHER - ZINC	4
2	R20617	60 - 18 COUPLING COVER	1
3	376-07-01-000	3/4" HYD HOSE ASSY	2
4	R20883	60-18 COUPLING CHAIN	1
5	384-02-00-007	60B - 18 SPR.-1 1/4" STR SHAFT	1
6	384-02-00-072	SPROCKET FOR 6 TOOTH SPLINE	1
7	R21356	MUNCIE PUMP-PL237 BPBB	1
8	R21283	1 1/2" X 1" BUSHING	2
9	R21521	"ROTATING DRIVE LINE" DECAL	1
10	R23057	3/4" JIC M X 1" NPT M	2
11	R23066	3/4" X 3/4" JIC X ORB-12 M TEE	2
12	R23328	ORB-12 IN-LINE CHECK VALVE	1
13	R08454	1/2-13 UNC x 1.75 HEX BOLT GR.5	6
14	R07795	1/2-13 UNC FLANGE NUT - ZINC	6
15	R07911	3/8-16 UNC x 0.77 SET SCREW - ZINC	2

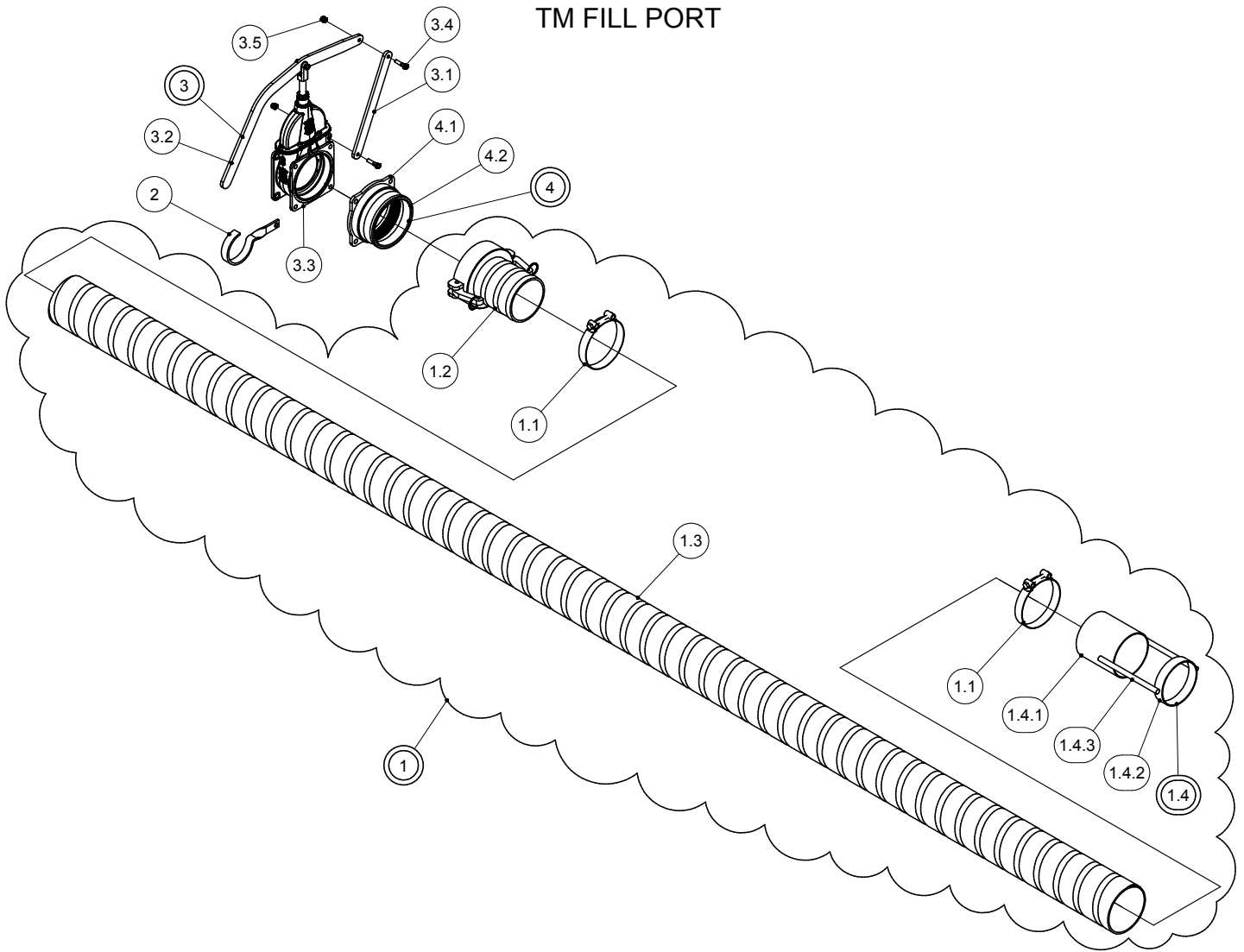
TM PTO



BONDIOLI & PAVESI PTO
R21580

PARTS LIST				
ITEM	BONDIOLI & PAVESI #	HUSKY #	DESCRIPTION	QTY
1	6060E6701R	R22316	SHEAR YOKE ASSY	1
2	41204R	R21693	CROSS KIT	2
3,4	432000003R05	R22336	SHEAR BOLT & NUT	1
5	348018000	R22325	GREASE FTG	2
6	569B49021	R22327	YOKE & TUBE ASSY	1
7	204043251		SPLINED YOKE	1
8	345013000R10		ROLL PIN	1
9	249170560	R22326	SPLINED SHAFT	1

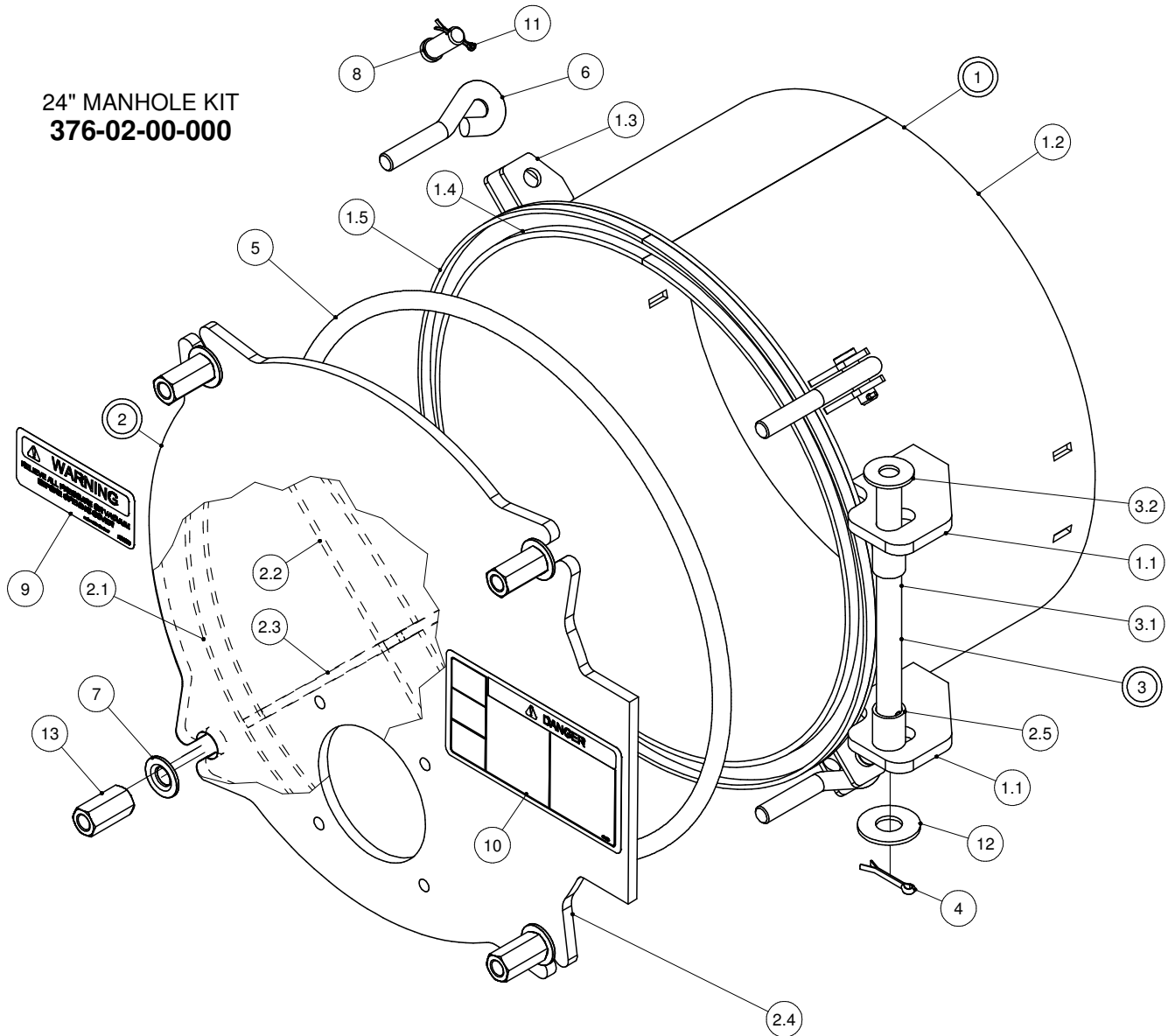
TM FILL PORT



PARTS LIST			
ITEM	PART NUMBER	DESCRIPTION	QTY
1	372-09-00-000	15FT SUCTION HOSE KIT w/ CAMLOCK	1
1.1	R02482	6" HOSE CLAMP	2
1.2	R02800	6" CAMLOCK C	1
1.3	368-00-00-066	SUCTION HOSE	1
1.4	368-12-00-000	SUCTION HOSE PIPE ASSY	1
1.4.1	368-12-00-063	SUCTION HOSE PIPE	1
1.4.2	368-12-00-064	SUCTION HOSE LOWER PIPE	1
1.4.3	368-12-00-065	REINFORCING BARS	2
2	372-00-00-044	HOOK FOR CAMLOC	1
3	368-51-00-000	6" MANUAL BRASS VALVE w/ HANDLE	1
3.1	368-00-00-094	6" VALVE PIVOT HANDLE	1
3.2	368-51-00-707	MANUAL VALVE HANDLE	1
3.3	R10415	6" FL x FL BRASS VALVE MANUAL	1
3.4	R07620	3/8-16 UNC x 1.5 HEX BOLT GR.5	3
3.5	R08247	3/8-16 UNC NYLOCK NUT - ZINC	3
4	372-28-00-000	6" ALUMINUM CAMLOCK FLANGE ASSY	1
4.1	372-28-00-139	6" ALUMINUM VALVE FLANGE	1
4.2	R02798	6" FEMALE CAMLOCK	1

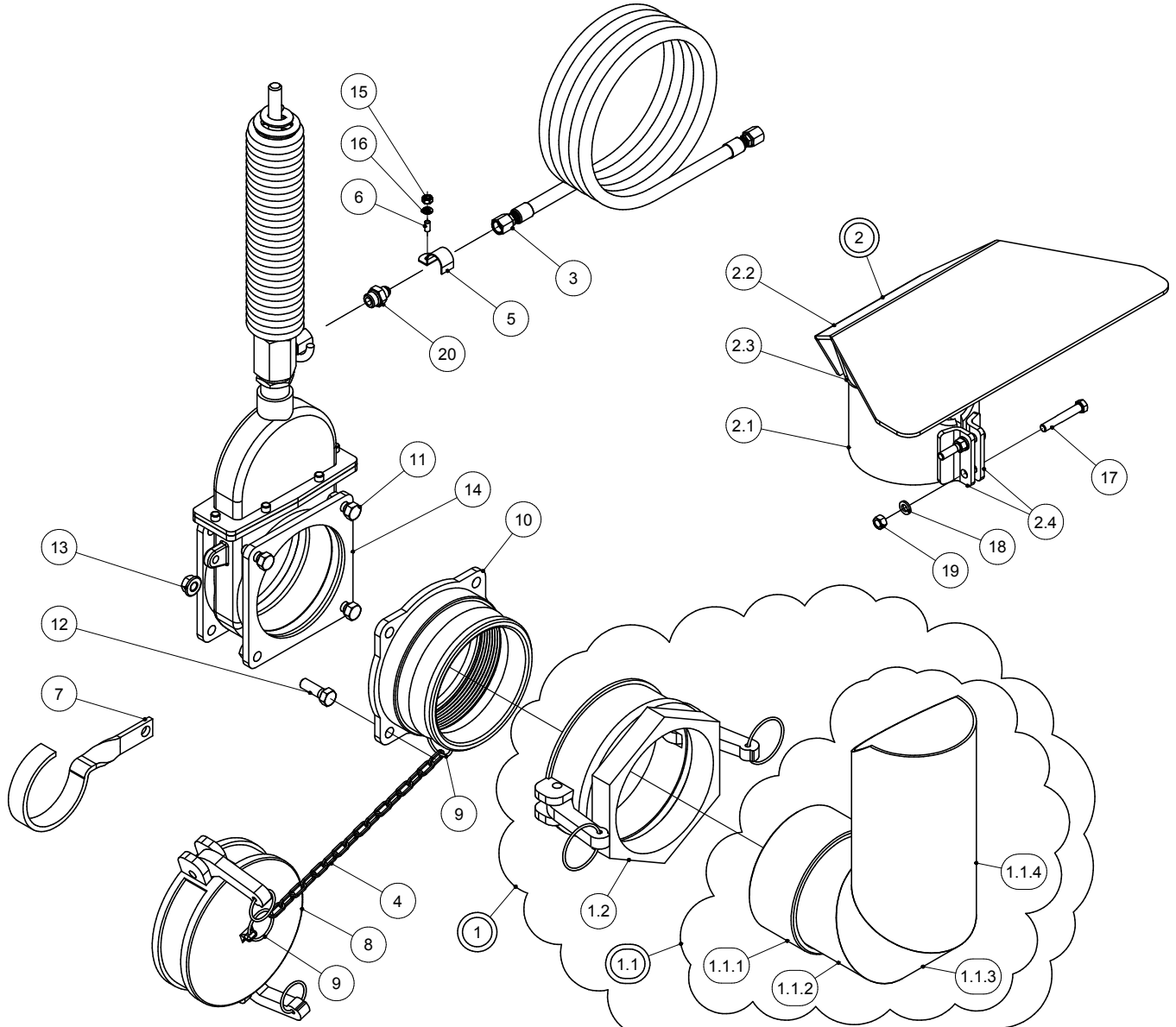
24" MANHOLE KIT

**24" MANHOLE KIT
376-02-00-000**



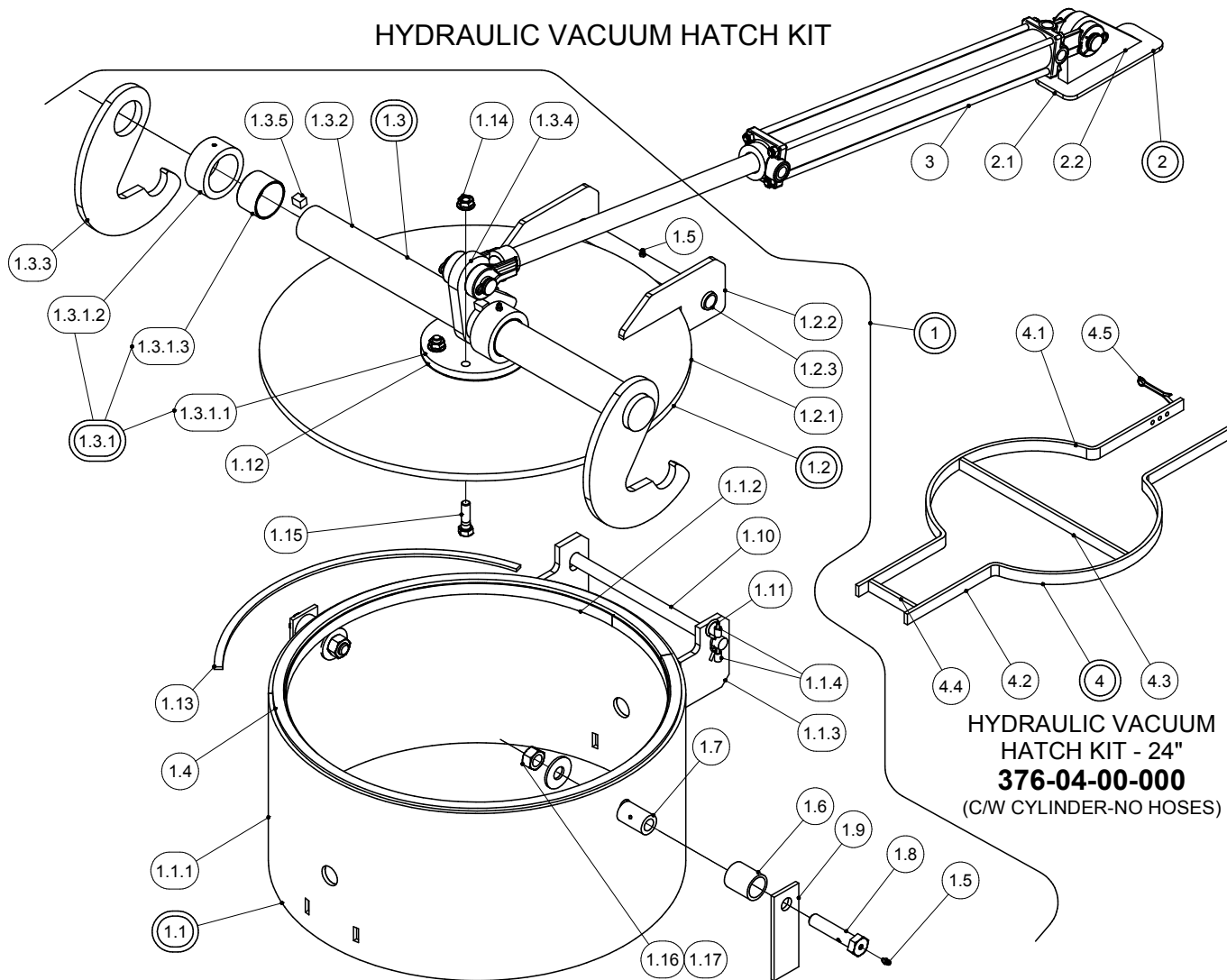
PARTS LIST				PARTS LIST			
ITEM	PART NUMBER	DESCRIPTION	QTY	ITEM	PART NUMBER	DESCRIPTION	QTY
1	376-02-02-000	FLAT VACUUM HATCH MANHOLE ASSY	1	3.1	376-02-04-508	LID PIN	1
1.1	376-02-02-505	MANHOLE HINGE	2	3.2	R07827	3/4 FLAT WASHER STD - ZINC	1
1.2	368-64-61-303	24" MANHOLE	1	4	R08016	1/4 x 2 COTTER PIN - SS	1
1.3	376-02-02-573	MANHOLE LUG	8	5	376-02-00-576	ROUND RUBBER SEAL	1
1.4	376-02-02-574	MANHOLE RING	1	6	R08442	3/4" EYE BOLT	4
1.5	376-02-02-575	OUTER RUBBER STOP	1	7	376-02-00-577	MANWAY WASHER	4
2	376-02-01-000	FLAT VACUUM HATCH LID ASSY	1	8	R08443	EYE BOLT PIN	4
2.1	376-02-01-501	INNER RING	1	9	R09668	"RELIEVE ALL PRESSURE" DECAL	1
2.2	376-02-01-503	BOTTOM SUPPORT PLATE	1	10	R10334	TOXIC GAS PICTORIAL DECAL	1
2.3	376-02-01-502	TOP SUPPORT PLATE	1	11	R08207	5/32 x 1 1/2 COTTER PIN - SS	4
2.4	376-02-01-578	FLAT VACUUM HATCH LID	1	12	R07828	1 FLAT WASHER STD - ZINC	1
2.5	384-20-03-570	HATCH PIN SLEEVE	2	13	R07800	3/4-10 UNC COUPLING NUT - ZINC	4
3	376-02-04-000	LID PIN ASSY	1				

TM REAR DISCHARGE



PARTS LIST				PARTS LIST			
ITEM	PART NUMBER	DESCRIPTION	QTY	ITEM	PART NUMBER	DESCRIPTION	QTY
1	372-08-00-000	COUPLER AND ELBOW KIT	1	6	R08301	1/4 x 20 UNC x 1/2" WELD STUD	4
1.1	372-08-05-000	ELBOW ASSY FOR CAMLOCK	1	7	372-00-00-044	HOOK FOR CAMLOC	1
1.1.1	372-08-05-043	HALF NIPPLE	1	8	R02804	6" FEMALE CAMLOCK CAP	1
1.1.2	368-60-49-357	ELBOW BASE PC	1	9	R08200	1 1/2" DIA SPLIT RING	2
1.1.3	364-19-00-082	DISCHARGE PIPE CORNER PC	1	10	372-28-00-000	6" ALUMINUM CAMLOCK FLANGE ASSY	1
1.1.4	364-25-00-067	DISCHARGE PIPE END PC	1	11	R07674	1/2-13 UNC x 1.25 HEX BOLT GR.5	3
1.2	R02801	6" CAMLOCK PART "D" COUPLER	1	12	R07638	1/2-13 UNC x 1.5 HEX BOLT GR.5	1
2	364-68-00-000	6" SPLASH PLATE ASSY	1	13	R07795	1/2-13 UNC FLANGE NUT - ZINC	4
2.1	364-68-00-215	CLAMPING TUBE	1	14	R10217	6"-HYD VALVE W SPRING RETURN-FLANGED	1
2.2	364-21-00-069	SPLASH PLATE	1	15	R07781	1/4-20 UNC HEX NUT - ZINC	4
2.3	364-21-00-224	SPLASH PLATE WING	2	16	R07801	1/4 LOCK WASHER - ZINC	4
2.4	364-21-00-071	CLAMPING TUBE BRKT	2	17	R07622	3/8-16 UNC x 2.5 HEX BOLT GR.5	2
3	369-84-00-000	1/4" HYD HOSE ASSY-TRACTOR TO VALVE	1	18	R07803	3/8 LOCK WASHER - ZINC	2
4	R08099	1/8 GR. 30 COIL CHAIN	1	19	R07783	3/8-16 UNC HEX NUT - ZINC	2
5	R21104	HYD. HOSE CLIPS	4	20	R23131	M18-1.5 x 3/8" JIC M. ADAPTOR	1

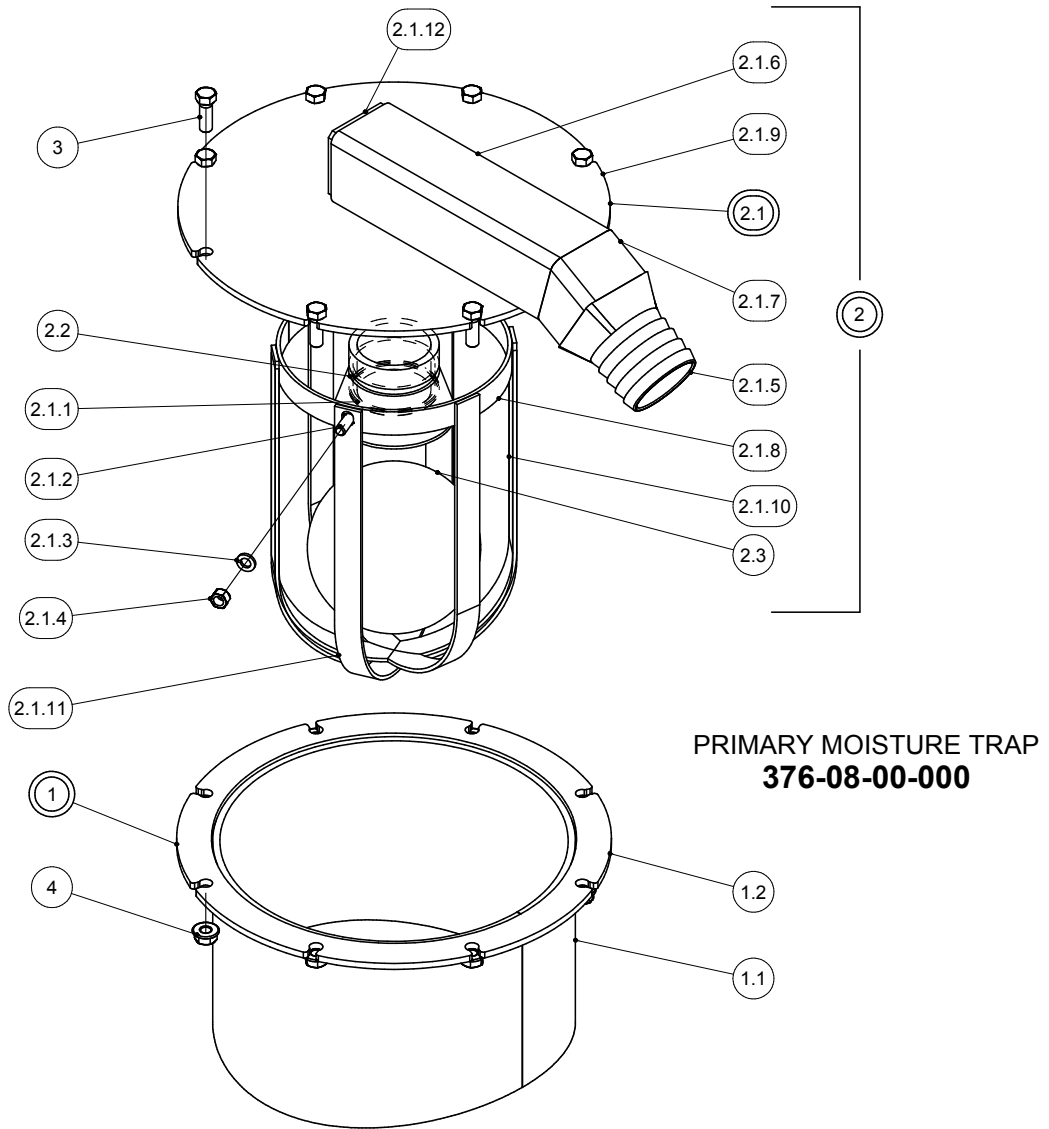
HYDRAULIC VACUUM HATCH KIT



HYDRAULIC VACUUM HATCH KIT - 24"
376-04-00-000
 (C/W CYLINDER-NO HOSES)

PARTS LIST				PARTS LIST			
ITEM	PART NUMBER	DESCRIPTION	QTY	ITEM	PART NUMBER	DESCRIPTION	QTY
1	376-04-01-000	HYDRAULIC VACUUM HATCH LESS HYD.	1	1.7	368-54-00-292	LOCKING SHAFT	2
1.1	376-04-02-000	MANHOLE ASSY	1	1.8	368-54-00-291	LOCKING BOLT	2
1.1.1	376-04-02-536	MANHOLE	1	1.9	368-54-00-294	LOCKING BOLT SUPPORT	2
1.1.2	376-04-02-537	ANGLE RING	1	1.10	368-54-00-281	HINGE PIN	1
1.1.3	368-54-54-283	HINGE BRKT	2	1.11	R07948	5/32 HAIR PIN	1
1.1.4	368-54-54-284	HINGE BRKT SLEEVE	2	1.12	368-54-00-296	SHIM	1
1.2	376-04-03-000	VACUUM LID ASSY	1	1.13	376-04-02-532	O RING SPACER	3
1.2.1	376-04-03-533	LID	1	1.14	R07795	1/2-13 UNC FLANGE NUT - ZINC	4
1.2.2	368-54-52-276	HINGE	2	1.15	R08454	1/2-13 UNC x 1.75 HEX BOLT GR.5	4
1.2.3	368-54-52-278	LID SLEEVE	1	1.16	R07787	3/4-10 UNC HEX NUT - ZINC	2
1.3	376-04-04-000	CROSS SHAFT & DOG ASSY	1	1.17	R07827	3/4 FLAT WASHER STD - ZINC	2
1.3.1	368-54-63-000	VACUUM LID BUSHING HOLDER ASSY	1	2	368-54-02-000	CYLINDER BRKT ASSY	1
1.3.1.1	368-54-63-310	BUSHING HOLDER PLATE	1	2.1	368-54-02-425	CYLINDER BRKT BASE PLATE	1
1.3.1.2	368-54-53-280	BUSHING HOLDER	2	2.2	368-54-00-295	CYLINDER BRKT	1
1.3.1.3	R21176	2 3/16 ID x 2 3/8 OD x 1 1/2 BUSHING	2	3	R23273	20TH20 HYD CYL-ORB	1
1.3.2	376-04-04-534	CROSS SHAFT	1	4	357-63-00-000	SAFETY BAR ASSY	1
1.3.3	368-54-62-308	LOCKING DOG	2	4.1	357-63-00-320	SAFETY BAR	1
1.3.4	368-54-00-286	PIVOT BRKT	1	4.2	357-63-00-332	SAFETY BAR	1
1.3.5	368-54-62-329	STOP	2	4.3	357-63-00-321	CROSS SAFETY BAR	1
1.4	376-04-01-535	MANHOLE HATCH SEAL	1	4.4	357-63-00-322	STOP BAR	1
1.5	R08183	1/4" - 28 STRAIGHT GREASE FITTING	5	4.5	R08016	1/4 x 2 COTTER PIN	1
1.6	368-54-00-293	ROLLER SLEEVE	2				

PRIMARY MOISTURE TRAP COMPLETE

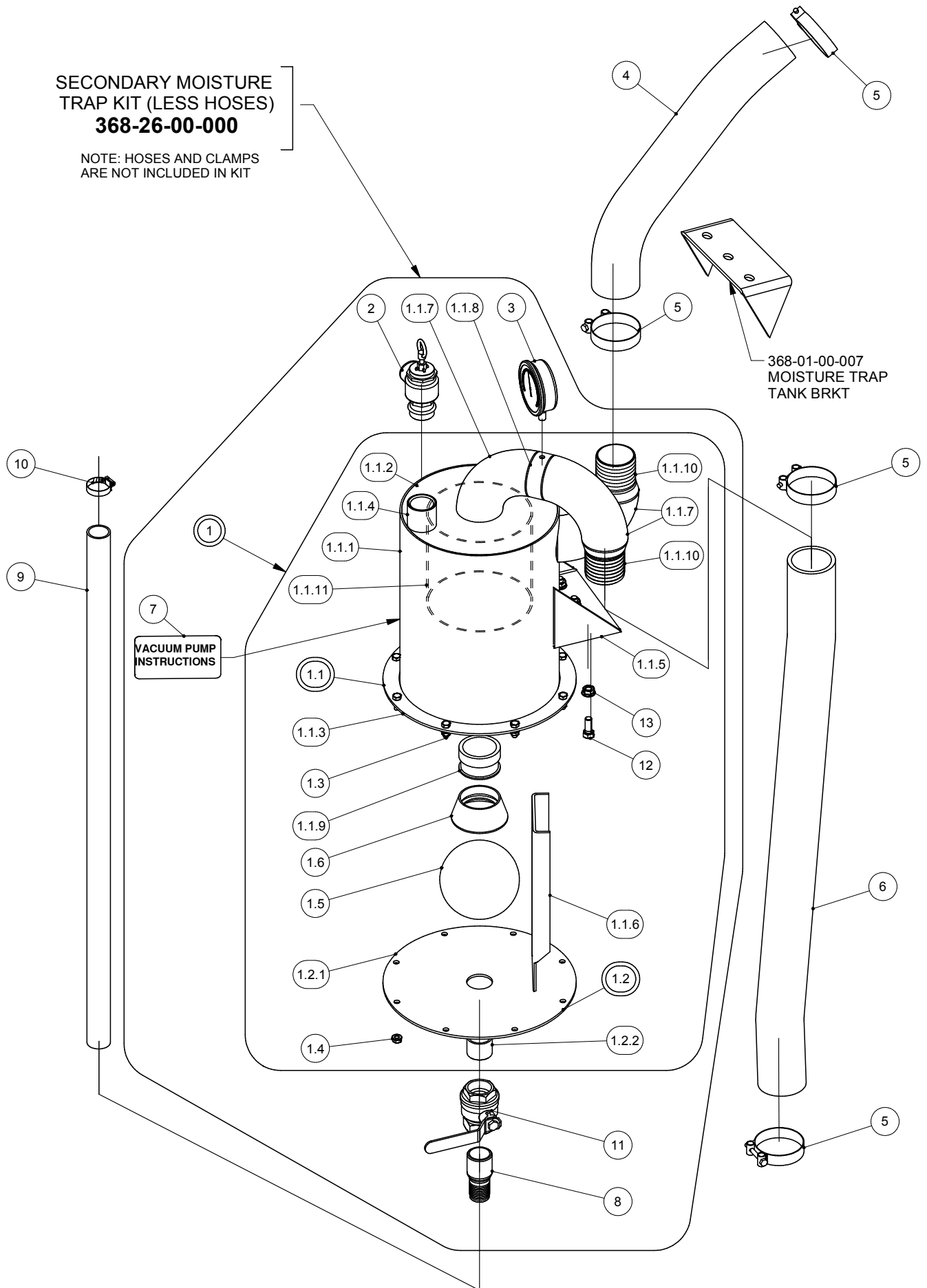


PARTS LIST				PARTS LIST			
ITEM	PART NUMBER	DESCRIPTION	QTY	ITEM	PART NUMBER	DESCRIPTION	QTY
1	376-08-03-000	3" CAN ASSY	1	2.1.6	376-08-02-647	3" INLET TUBE	1
1.1	376-08-03-653	3" PRIMARY CAN	1		376-09-02-693	4" INLET TUBE	1
1.2	368-91-01-379	3" CAN FLANGE	1	2.1.7	376-08-02-648	3" SHORT INLET TUBE	1
2	376-08-01-000	3" PRIMARY TRAP CAGE/BALL & RUBBER ASSY	1		376-09-02-694	4" SHORT INLET TUBE	1
	376-09-01-000	4" PRIMARY TRAP CAGE/BALL & RUBBER ASSY	1	2.1.8	376-08-02-649	INNER SS RING	1
2.1	376-08-02-000	3" PRIMARY TRAP CAGE ASSY	1	2.1.9	376-08-02-650	3" PRIMARY LID	1
	376-09-02-000	4" PRIMARY TRAP CAGE ASSY	1		376-09-02-692	4" PRIMARY LID	1
2.1.1	368-25-20-110	3" SEAT HOLDER	1	2.1.10	376-08-02-651	INNER SS HOOP	3
	375-89-01-438	4" SEAT HOLDER	1	2.1.11	376-08-02-652	OUTER SS HOOP	1
2.1.2	R07619	3/8 x 1 UNC HEX BOLT	1	2.1.12	376-08-02-654	3" PRIMARY CAP	1
2.1.3	R07803	3/8" LOCK WASHER	1		376-09-02-695	4" END CAP	1
2.1.4	R07783	3/8-16 UNC HEX NUT	1	2.2	R09857	3" RUBBER VALVE SEAT	1
2.1.5	308-62-01-199	3" BARBED CONNECTOR w/ sq END	1		R10183	4" RUBBER VALVE SEAT	1
	375-89-01-361	4" HALF BARBED CONNECTOR	1	2.3	R09856	6" STAINLESS STEEL BALL	1
				3	R07671	7/16-14 UNC x 1.25 HEX BOLT GR.5	8
				4	R07879	7/16-14 UNC FLANGE NUT - ZINC	8

SECONDARY MOISTURE TRAP COMPLETE

SECONDARY MOISTURE TRAP KIT (LESS HOSES)
368-26-00-000

NOTE: HOSES AND CLAMPS ARE NOT INCLUDED IN KIT

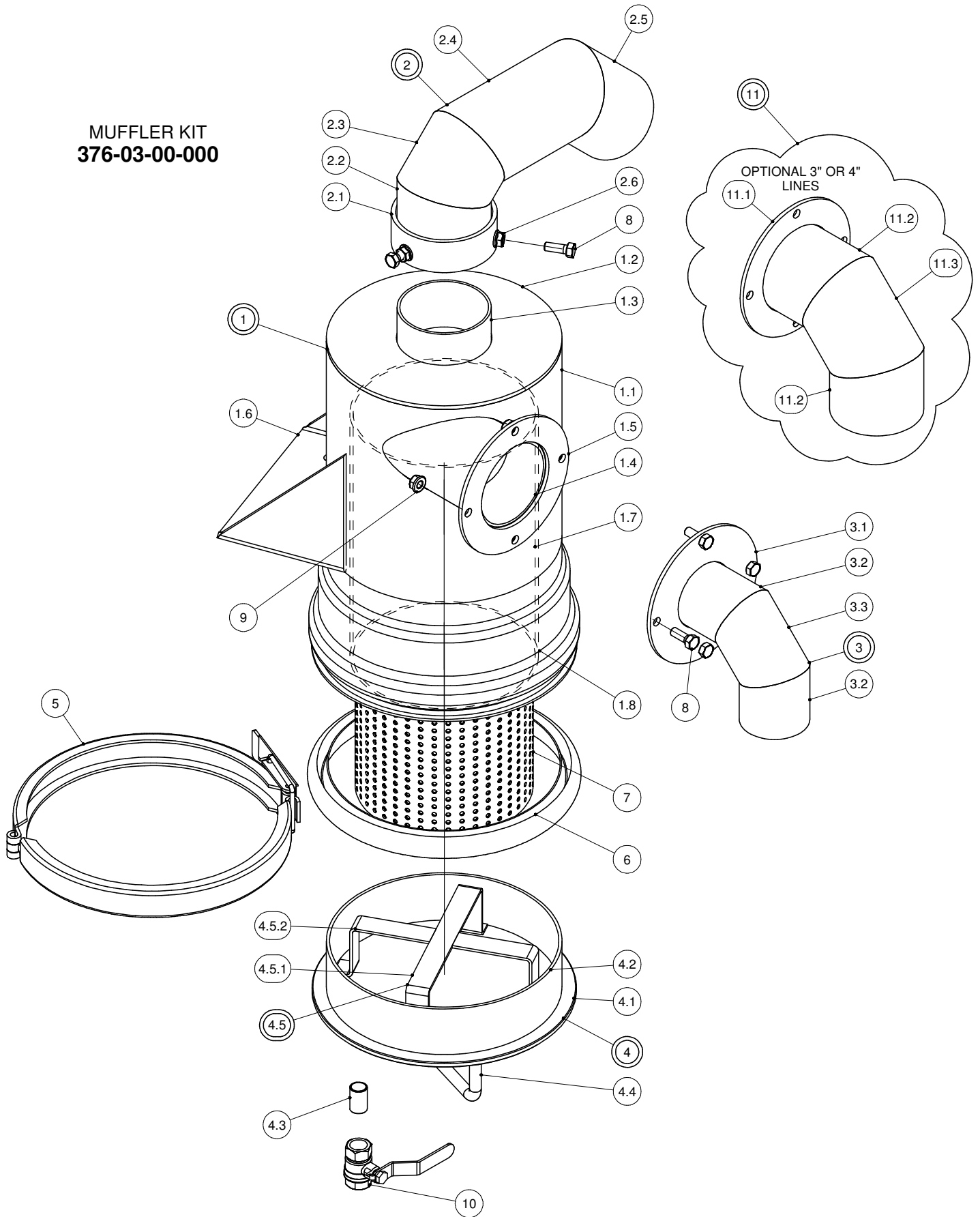


SECONDARY MOISTURE TRAP COMPLETE

PARTS LIST				PARTS LIST			
ITEM	PART NUMBER	DESCRIPTION	QTY	ITEM	PART NUMBER	DESCRIPTION	QTY
1	368-26-02-000	3" SECONDARY TRAP LESS VALVES/GAUGE	1	1.2.2	R02195	1 1/2" TOE NIPPLE	1
				1.3	R07619	3/8-16 UNC x 1 HEX BOLT GR.5	8
	375-89-02-000	4" SECONDARY TRAP LESS VALVES/GUAGE	1	1.4	R07794	3/8-16 UNC FLANGE NUT - ZINC	8
				1.5	R09856	6" STAINLESS STEEL BALL	1
1.1	368-26-22-000	3" SECONDARY MOISTURE TRAP ASSY	1	1.6	R09857	3" RUBBER VALVE SEAT	1
					R10183	4" RUBBER VALVE SEAT	1
	375-89-01-000	4" SECONDARY MOISTURE TRAP ASSY	1	2	R09910	PRESSURE RELIEF VALVE	1
				3	R09833	PRESSURE VACUUM GAUGE	1
1.1.1	368-26-22-119	3" SECONDARY TRAP TUBE	1	4	368-00-00-068	3" PRESSURE VACUUM HOSE - SHORT	1
	375-89-01-371	4" SECONDARY TRAP TUBE	1				
1.1.2	368-26-22-120	3" SECONDARY TRAP LID	1	5	R02480	3" BAUER SUPER CLAMP	4
	375-89-01-437	4" SECONDARY TRAP LID	1	6	368-00-00-067	3" PRESSURE VACUUM HOSE LONG 12 & 14000L	1
1.1.4	R02063	1 1/2" COUPLING	1		367-00-00-151	3" PRESSURE VACUUM HOSE LONG 9000L	1
1.1.5	368-26-22-128	MOISTURE TRAP BRKT	1				
1.1.6	368-26-22-273	3" SECONDARY TRAP BAFFLE	1		366-00-00-150	3" PRESSURE VACUUM HOSE LONG 7000L	1
	375-89-01-436	4" SECONDARY TRAP BAFFLE	1				
1.1.7	R02448	3" WELD ELBOW - SCH 40 - LR	3		365-00-00-206	3" PRESSURE VACUUM HOSE LONG 5800L	1
	R02191	4" WELD ELBOW-LARGE RADIUS	1				
1.1.8	368-26-22-123	3" ELBOW EXTENSION TUBE	1	7	R09733	VAC. PUMP INSTRUCTIONS DECAL	1
	375-89-01-605	4" ELBOW EXTENSION TUBE	1				
1.1.9	368-25-20-110	3" SEAT HOLDER	1	8	R02453	1 1/2" COMBINATION NIPPLE	1
	375-89-01-438	4" SEAT HOLDER	1	9	368-00-00-070	DRAIN HOSE - 7000L & UP	1
1.1.10	368-25-20-114	3" HALF BARBED CONNECTOR	2		365-00-00-207	DRAIN HOSE - 5800L	1
	375-89-01-361	4" HALF BARBED CONNECTOR	1	10	R02232	1 1/2" GEAR CLAMP	1
1.1.11	368-26-22-122	SECONDARY INNER TUBE	1	11	R02455	1 1/2 NPT Ball Valve	1
1.2	368-26-01-000	3" COVER PLATE ASSY	1	12	R07674	1/2-13 UNC x 1.25 HEX BOLT GR.5	3
		368-26-01-000	4" COVER PLATE ASSY				
1.2.1	368-26-01-444	COVER PLATE	1	13	R07795	1/2-13 UNC FLANGE NUT - ZINC	3

MUFFLER KIT

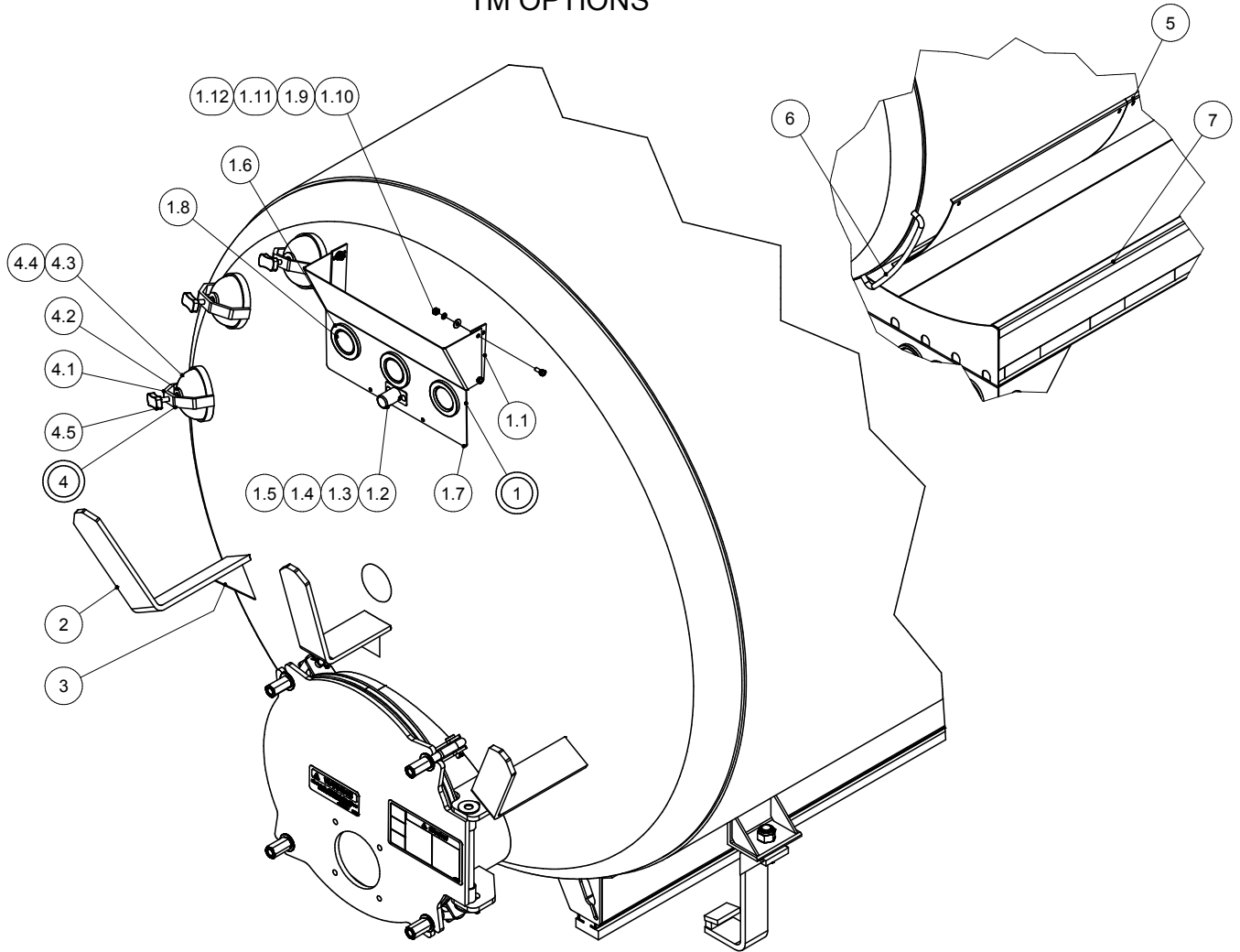
MUFFLER KIT
376-03-00-000



MUFFLER KIT

PARTS LIST			
ITEM	PART NUMBER	DESCRIPTION	QTY
1	376-03-03-000	UPPER CAN ASSY	1
1.1	376-03-03-697	UPPER CAN	1
1.2	368-59-01-457	UPPER CAN TOP	1
1.3	368-59-01-455	ELBOW EXTENSION TUBE	1
1.4	368-59-47-263	4" SIDE INLET	1
1.5	368-59-47-440	4" MUFFLER FLANGE	1
1.6	368-59-01-492	MUFFLER BRKT	1
1.7	376-03-01-510	INNER MESH TUBE	1
1.8	R02499	10" FEMALE CIRCLOCK COUPLING	1
2	368-59-06-000	PIPE ASSY	1
2.1	368-59-06-469	LOCK COLLAR	1
2.2	368-59-06-458	PIPE PC #1	1
2.3	368-59-06-459	PIPE PC #2	1
2.4	368-59-06-460	PIPE PC #3	1
2.5	368-59-06-461	PIPE PC #4	1
2.6	R07794	3/8-16 UNC FLANGE NUT - ZINC	3
3	368-59-04-000	3" EXTENSION TUBE ASSY	1
3.1	368-59-04-462	3" MUFFLER FLANGE	1
3.2	368-59-04-463	3" EXTENSION TUBE	2
3.3	368-59-04-493	EXTENSION TUBE MID PC	1
4	376-03-04-000	MUFFLER CAP ASSY	1
4.1	376-03-04-698	CAP	1
4.2	376-03-04-699	CAP EXTENSION TUBE	1
4.3	R02123	1/2" CLOSE NIPPLE	1
4.4	244-12-03-341	CONE HANDLE	1
4.5	376-03-02-000	STAND ASSY	1
4.5.1	376-03-02-511	SINGLE STAND	1
4.5.2	376-03-02-512	HALF STAND	2
5	R02500	10" BANDLOC CLAMP	1
6	R02852	10" CL GASKET	1
7	R00617	S.S.KNITTED WIRE MESH	1
8	R07619	3/8-16 UNC x 1 HEX BOLT GR.5	7
9	R07794	3/8-16 UNC FLANGE NUT - ZINC	4
10	R02473	1/2 NPT Ball Valve	1
11	368-59-05-000	4" EXTENSION TUBE ASSY	1
11.1	368-59-47-440	4" MUFFLER FLANGE	1
11.2	368-59-05-464	4" EXTENSION TUBE	2
11.3	368-59-05-494	4" ELBOW MIDDLE PC	1

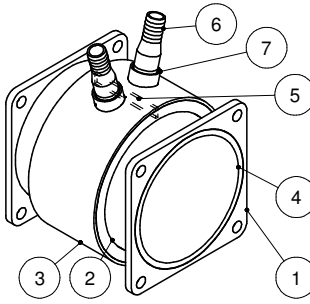
TM OPTIONS



PARTS LIST				PARTS LIST			
ITEM	PART NUMBER	DESCRIPTION	QTY	ITEM	PART NUMBER	DESCRIPTION	QTY
1	372-16-00-000	CLEARANCE LITE BOX KIT	1	1.12	R07822	5/16 FLAT WASHER STD - ZINC	2
1.1	372-00-00-046	STICKER PLATE BRKT	2	2	372-00-00-041	HOSE RACK	3
1.2	R10093	LICENSE LAMP	1	3	372-00-00-050	HOSE RACK GUSSET	3
1.3	R07701	1/4-20 UNC x 0.75 CARRIAGE BOLT Gr.5	2	4	375-76-00-000	4 1/2" SIGHT EYE KIT	3
1.4	R07801	1/4 LOCK WASHER - ZINC	2	4.1	375-76-01-000	SITE EYE HOLDER ASSY	1
1.5	R07781	1/4-20 UNC HEX NUT - ZINC	2	4.2	R10202	4 1/2" SITE EYE PRESSURE PLATE	1
1.6	R10355	Ø2 1/2" RUBBER MOUNT	3	4.3	R10197	4 1/2" SITE EYE GLASS	1
1.7	372-00-00-045	STICKER PLATE	1	4.4	R10198	LEVEL SIGHT EYE GLASS SEAL	1
1.8	R10586	Ø2 1/2" LED RED CLEARANCE LIGHT	3	4.5	R10203	4 1/2" SIGHT EYE SCREW HANDLE	1
1.9	R07676	5/16-18 UNC x 0.75 HEX BOLT GR.5	4	5	372-00-00-084 72 DIA	HOSE GUARD	TO SUIT
1.10	R07782	5/16-18 UNC HEX NUT - ZINC	4	6	372-00-00-1402	S.S. HOSE CORNER GUARD	2
1.11	R07802	5/16 LOCK WASHER - ZINC	4	7	372-00-00-083	ALUM CHECKER PL CAP	TO SUIT

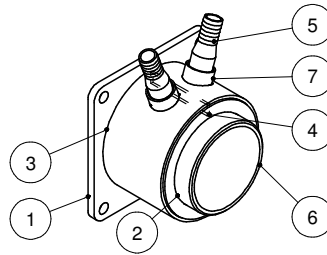
TM WATER JACKETS

6" WATER JACKET ASSY 373-12-00-000



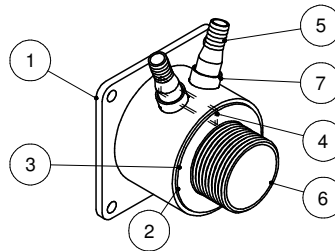
PARTS LIST			
ITEM	PART NUMBER	DESCRIPTION	QTY
1	373-12-00-061	FLANGE	2
2	373-12-00-056	FILLER RING	2
3	373-12-00-074	OUTER SLEEVE	1
4	373-12-00-075	6" INNER HEATER TUBE	1
5	373-12-00-076	BAFFLE	1
6	KingNipple 3-4	3/4" COMB NIPPLE	2
7	R02079	3/4" HALF PIPE COUPLING	2

4" WATER JACKET ASSY 373-13-00-000



PARTS LIST			
ITEM	PART NUMBER	DESCRIPTION	QTY
1	373-13-00-077	6 TO 4" FLANGE	1
2	373-13-00-059	FILLER RING	1
3	373-13-00-078	OUTER SLEEVE	1
4	373-13-00-079	BAFFLE FOR 4" JACKET	1
5	KingNipple 3-4	3/4" COMB NIPPLE	2
6	R02189	4" X 5" LONG TOE PIPE NIPPLE	1
7	R02079	3/4" HALF PIPE COUPLING	2

3" WATER JACKET ASSY 373-15-00-000



PARTS LIST			
ITEM	PART NUMBER	DESCRIPTION	QTY
1	373-15-00-080	6 TO 3" FLANGE	1
2	373-15-00-064	FILLER RING	1
3	373-15-00-081	OUTER SLEEVE-3" JACKET	1
4	373-15-00-082	BAFFLE	1
5	KingNipple 3-4	3/4" COMB NIPPLE	2
6	R02034	3" x 6" LONG TOE NIPPLE	1
7	R02079	3/4" HALF PIPE COUPLING	2

GUARANTEE

All Husky Farm Equipment manufactured by Husky Farm Equipment Limited is guaranteed. Guarantee covers all the replacement cost or repair of all parts said to be defective from manufacture. Guarantee also covers labour installing said parts, if installed at Husky Manufacturing plant. Time and use is the essence of the guarantee. If equipment is used on a private property for an individual's use, guarantee will be in effect for twelve months from date of invoice. If equipment is used for commercial use to do custom work for money then guarantee will be in effect for three months only from date of invoice.

EXEMPTIONS FROM GUARANTEE

Cost of transportation of equipment to or from Husky Farm Equipment Limited either by customer or by Husky's service staff or cost of mail or public transportation is not covered. Tires and electric or hydraulic motors are covered by manufacturer's warranty and although Husky may assist to get warranty, Husky will not be responsible other than that allowed by manufacturer's warranty. Items subject to normal wear from use not covered by guarantee if faulty part is simply worn.