

Date Purchased _____ Machine Serial No. _____

Size of Pump _____ Options _____

The key number system in this parts book is arranged as follows:

- ⊙ - Key numbers with two circles denotes main assemblies.
- - Key numbers with one circle are individual parts

Please order parts by number



H-5000

H-5000 VERTICAL PIT PUMP – 8ft ▪ 242-00-00-000

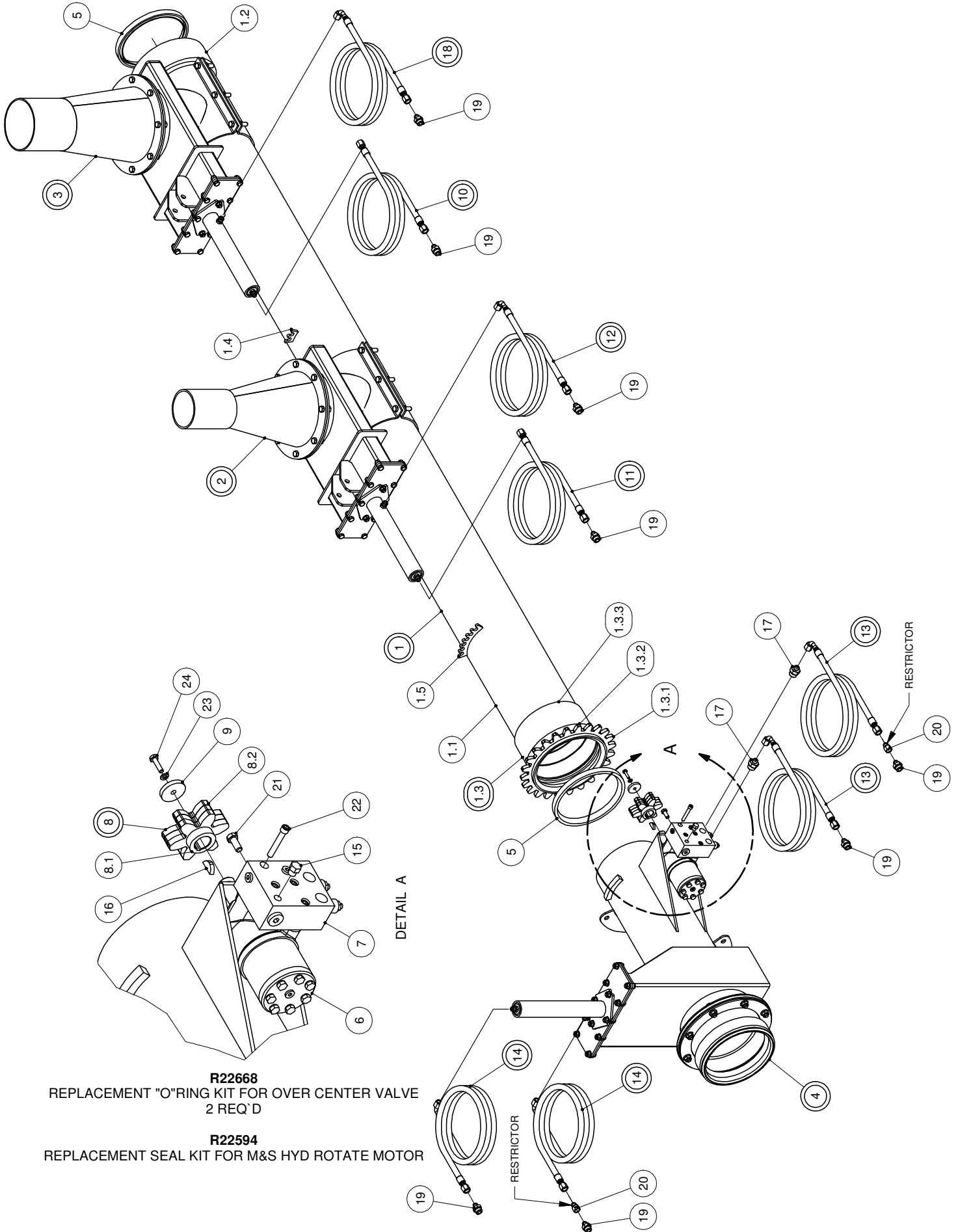
H-5000 VERTICAL PIT PUMP – 10ft ▪ 244-00-00-000

H-5000 VERTICAL PIT PUMP – 12ft ▪ 246-00-00-000

OPERATING INSTRUCTIONS:

1. Read operators manual and always follow the safety instructions. Never attempt any repairs while machine is operating or while installed in pit.
2. Do not leave pump in manure pit – remove pump from pit – wash off and coat with old oil or diesel fuel.
3. Do not over rev. tractor while pumping as discharge spout will lift into air. Always tie down spout.
4. The (Polyurethane) marine bearing at the bottom of the pump is lubricated with manure or water. If the level of the liquid is below the bearing and you are running for long periods put a water hose in the top of the standpipe.
5. Always fill all hydraulic motors and cylinders with oil before installing in pit.
6. Every 6 months drive shaft knuckle must be greased. Grease wooden bearings daily.
7. **EXTREME DANGER** – Never enter a dirty manure spreader or storage tank – one breath of hydrogen sulphide gas is enough to kill. Have a ladder in your pit, so that if by accident you should fall in, you can get out.
8. For open centre hydraulic tractors, use short plug on right hand end of hydraulic valve. For closed centre hydraulics use long plug with O ring. (Oil must flow in left hand end of valve).

H-5000 STANDPIPE



R22668
REPLACEMENT "O"RING KIT FOR OVER CENTER VALVE
2 REQ'D

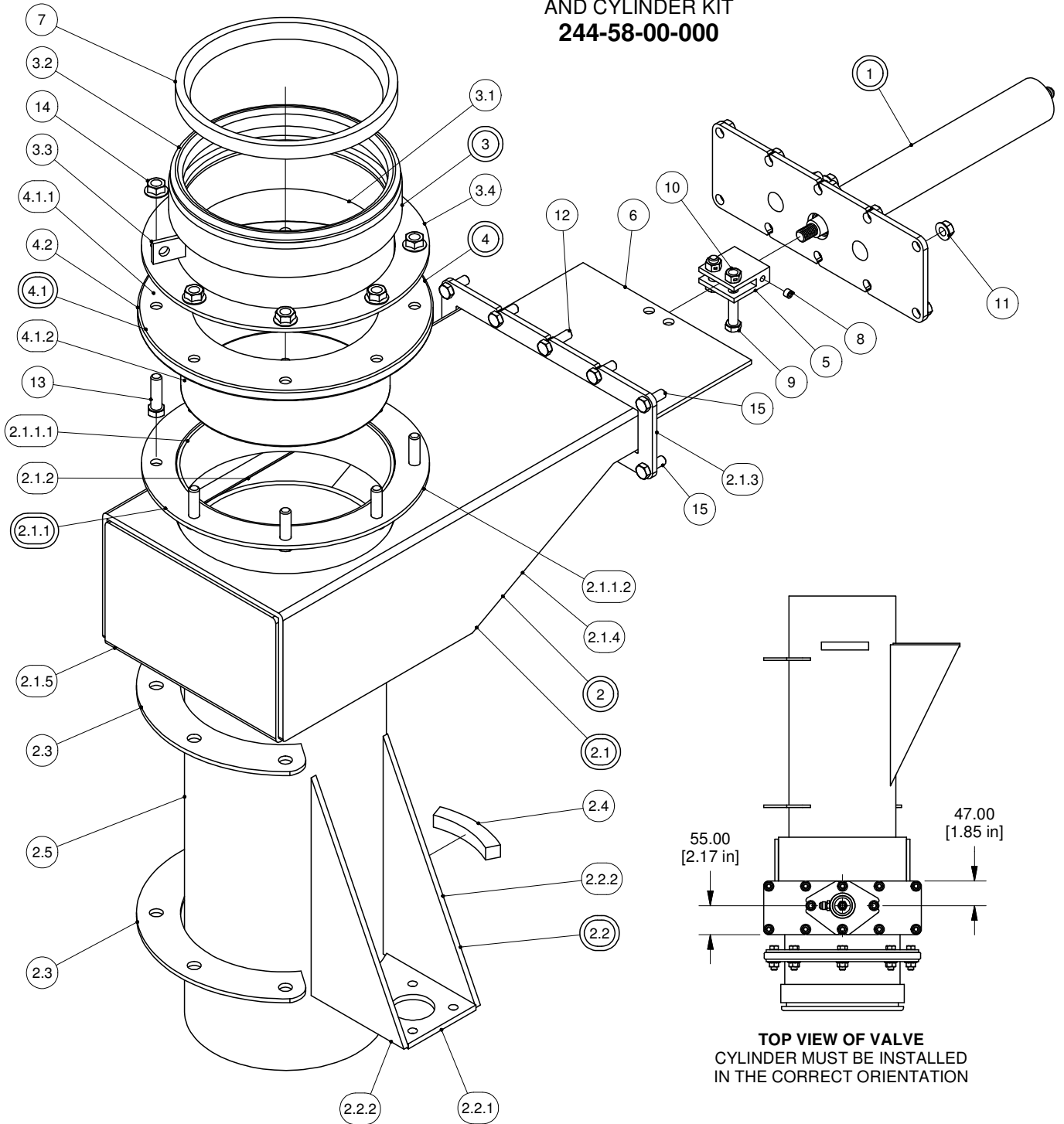
R22594
REPLACEMENT SEAL KIT FOR M&S HYD ROTATE MOTOR

H-5000 STANDPIPE

PARTS LIST			
ITEM	PART NUMBER	DESCRIPTION	QTY
1	242-43-00-000	STANDPIPE ASSY-8FT MODEL	1
	244-40-00-000	STANDPIPE ASSY-10FT MODEL	1
	246-41-00-000	STANDPIPE ASSY-12FT MODEL	1
	246-96-00-000	STANDPIPE ASSY-14FT MODEL	1
1.1	242-43-00-369	STANDPIPE-8FT MODEL	1
	244-40-00-371	STANDPIPE-10FT MODEL	1
	246-41-00-372	STANDPIPE-12FT MODEL	1
	246-96-00-551	STANDPIPE-14FT MODEL	1
1.2	242-43-00-370	LOWER GASKET SLEEVE	1
1.3	244-30-01-000	LOWER EXTENSION PIPE ASSY	1
1.3.1	244-30-01-347	LARGE TURN SPROCKET	1
1.3.2	242-09-09-049	COUPLING BASE	1
1.3.3	242-09-09-048	EXTENSION PIPE	1
1.4	242-43-00-659	CURVED 2 SLOT HYD HOSE HOLDER	1
1.5	242-00-00-700	CURVED 6 SLOT HYD HOSE HOLDER	1
2	244-15-00-000	UPPER VALVE AND CONE COMPLETE	1
3	244-16-00-000	LOWER VALVE AND CONE COMPLETE	1
4	244-58-00-000	UPPER VALVE,EXT AND CYLINDER KIT	1
5	R02360	8" SQ HUSKY GASKET	2
6	R22255	M&S HYDRAULIC MOTOR	1
7	R22256	OVER CENTER VALVE - M&S MOTOR	1
8	290-25-00-000	6 TOOTH SPROCKET ASSY	1
8.1	290-25-00-097	SPROCKET SLEEVE	1
8.2	290-25-00-096	6 TOOTH SPROCKET	3
9	290-00-00-098	SLEEVE CAP	1
10	244-77-00-000	HYD HOSE ASSY-CONTROL TO LOWER AGITATOR-8FT	1
	244-78-00-000	HYD HOSE ASSY-CONTROL TO LOWER AGITATOR-10FT	1
	244-79-00-000	HYD HOSE ASSY-CONTROL TO LOWER AGITATOR-12FT	1
11	244-76-00-000	HYD HOSE ASSY-CONTROL TO TOP AGITATOR-ALL SIZES	1
12	244-55-00-000	HYD HOSE ASSY-CONTROL TO TOP AGITATOR-ALL SIZES	1
13	244-70-00-000	HYD HOSE ASSY-CONTROL TO ROTATE-8FT	2
	244-71-00-000	HYD HOSE ASSY-CONTROL TO ROTATE-10FT	2
	244-72-00-000	HYD HOSE ASSY-CONTROL TO ROTATE-12FT	2
14	244-68-00-000	HYD HOSE ASSY-CONTROL TO SHUTOFF-8FT	2
	244-75-00-000	HYD HOSE ASSY-CONTROL TO SHUTOFF-10FT	2
	244-78-00-000	HYD HOSE ASSY-CONTROL TO SHUTOFF-12FT	2
15	R22258	7/16-20 SAE PLUG	1
16	R08161	1/4" x 1" WOODRUFF KEY	1
17	R23094	ORB-10 x 3/8" JIC M ADAPTOR	2
18	242-46-00-000	HYD HOSE ASSY-CONTROL TO LOWER AGITATOR-8FT	1
	244-47-00-000	HYD HOSE ASSY-CONTROL TO LOWER AGITATOR-10FT	1
	246-56-00-000	HYD HOSE ASSY-CONTROL TO LOWER AGITATOR-12FT	1
19	R23091	ORB-8 X 3/8" JIC M ADAPTOR	8
20	R23193	3/8" JIC M. x 3/8" JIC F. RESTRICTOR	2
21	R07670	3/8 x 7/8 UNC HEX BOLT	4
22	R08334	5/16 x 2 UNC SHCS	4
23	R07801	1/4" LOCK WASHER	1
24	R07601	1/4 x 1 UNC HEX BOLT	1

UPPER VALVE EXTENSION AND CYLINDER KIT

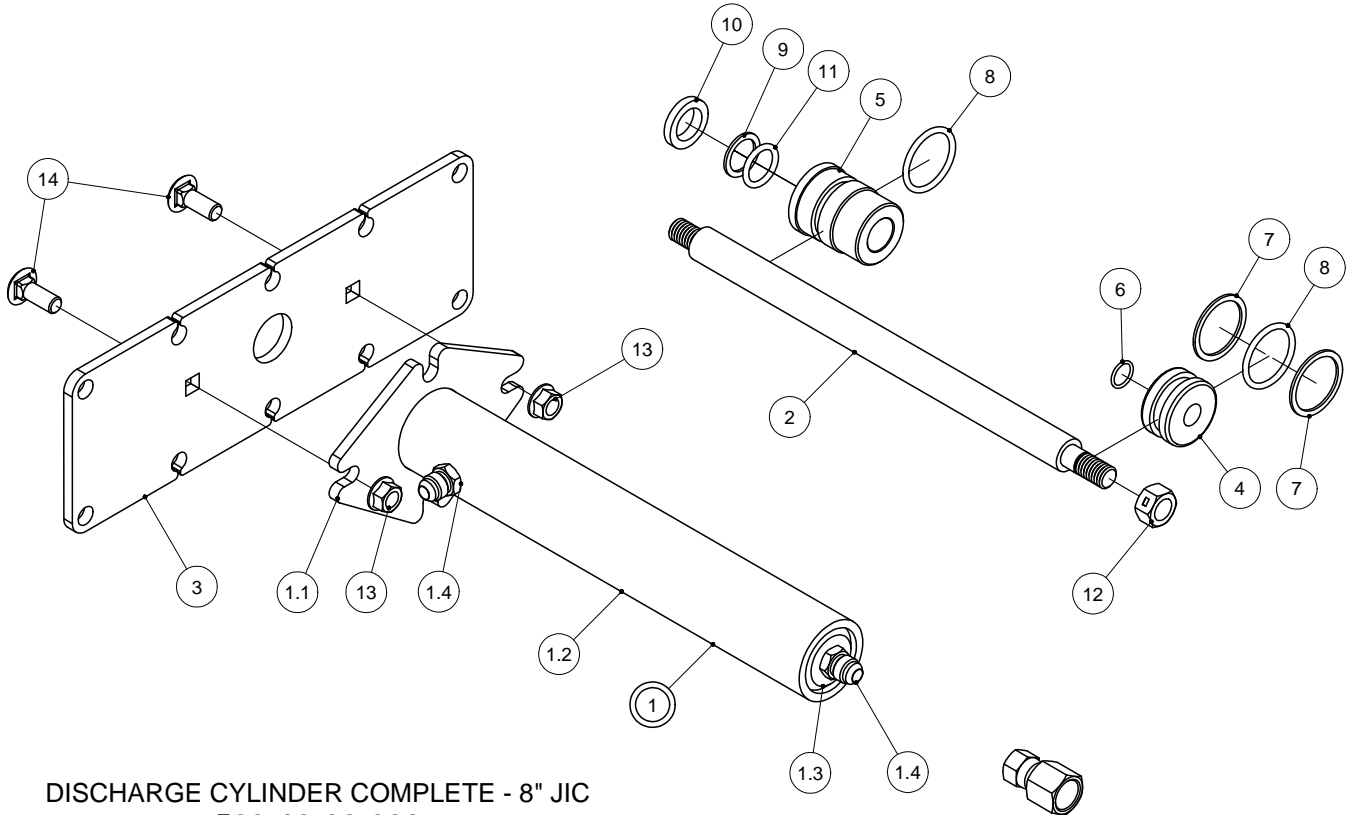
UPPER VALVE, EXTENSION AND CYLINDER KIT 244-58-00-000



UPPER VALVE, EXTENSION AND CYLINDER KIT

PARTS LIST			
ITEM	PART NUMBER	DESCRIPTION	QTY
1	508-10-00-000	DISCHARGE CYL COMPLETE - 8" JIC	1
2	244-58-02-000	UPPER VALVE AND STANDPIPE ASSY	1
2.1	244-58-08-000	UPPER VALVE BODY ASSY	1
2.1.1	244-58-03-000	OUTER EXTENSION PIPE ASSY	1
2.1.1.1	244-58-03-389	OUTER EXTENSION PIPE	1
2.1.1.2	244-58-03-388	OUTER EXTENSION FLANGE	1
2.1.2	244-38-02-382	GUIDE BAR	2
2.1.3	244-38-02-368	FLANGE	1
2.1.4	244-38-02-366	VALVE TOP PLATE	1
2.1.5	244-38-02-367	VALVE LOWER PLATE	1
2.2	244-29-01-000	HYDRAULIC MOTOR MOUNT ASSY	1
2.2.1	244-29-01-362	HYDRAULIC MOTOR MOUNT	1
2.2.2	244-29-01-363	MOTOR MOUNT SIDES	2
2.3	242-10-10-053	STANDPIPE HOLD DOWN BRKT	2
2.4	244-38-00-387	STOP RING	1
2.5	244-58-07-396	FIXED STANDPIPE	1
3	244-58-06-000	FLANGED EXTENSION PIPE ASSY	1
3.1	244-58-06-395	EXTENSION PIPE	1
3.2	244-07-01-306	COUPLING BASE	1
3.3	250-96-00-298	CHAIN LUG	1
3.4	244-58-03-388	OUTER EXTENSION FLANGE	1
4	244-58-05-000	INNER SEALING TUBE w/ URETHANE ASSY (Order this assembly, sub-assemblies not for re-sale)	1
4.1	244-58-04-000	INNER SEALING WELDED ASSY	1
4.1.1	244-58-04-390	INNER SEALING TUBE FLANGE	1
4.1.2	244-58-04-391	INNER SEALING TUBE	1
4.2	R20217	URETHANE ONLY - H5000 VALVE	1
5	244-58-00-393	YOKE	1
6	244-58-00-392	VALVE GATE	1
7	R02360	8" SQ HUSKY GASKET	1
8	R07926	5/16-18 x 1/4" SET SCREW	1
9	R08410	3/8 x 1 1/4 SS UNC HEX BOLT	2
10	R07886	3/8-16 UNC 2-WAY LOCK NUT	2
11	R07794	3/8-16 UNC FLANGE NUT	10
12	R07675	3/8 x 1 1/4 UNC HEX BOLT	2
13	R07629	7/16 x 1 1/2 UNC HEX BOLT	8
14	R07879	7/16-14 UNC FLANGE NUT	8
15	R07619	3/8 x 1 UNC HEX BOLT	8

DISCHARGE CYLINDER COMPLETE - 8" JIC



DISCHARGE CYLINDER COMPLETE - 8" JIC
508-10-00-000

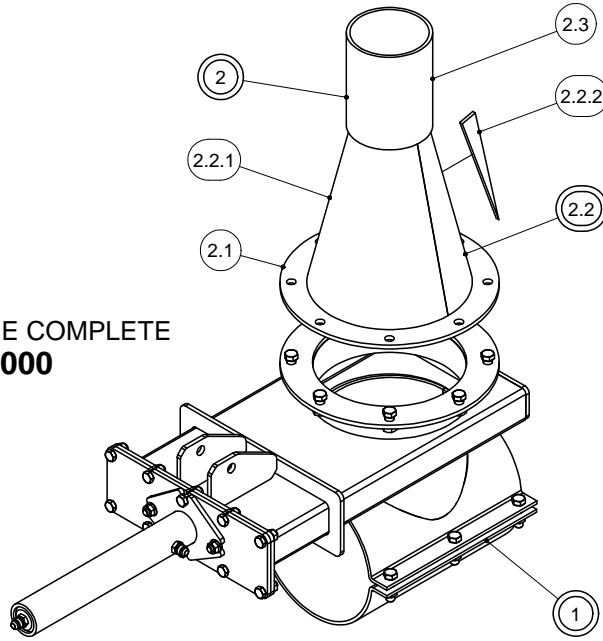
SEAL REPLACEMENT KIT - 508-12-00-000

R23215
 3/8" JIC F x 3/8" NPT SW ADAPTER
 MUST BE USED WHEN REPLACING
 CYLINDER ON ANY MACHINE PRIOR
 TO 2011 - 2 pcs REQ'D

PARTS LIST			
ITEM	PART NUMBER	DESCRIPTION	QTY
1	508-09-01-000	1 1/2" x 8" CYL TUBE ASSY - JIC	1
1.1	244-26-01-344	CYLINDER TUBE FLANGE	1
1.2	508-09-01-040	1 1/2" x 8" CYL TUBE - JIC	1
1.3	508-09-01-041	CYL END CAP - JIC	1
1.4	R23151	3/8" M. JIC WELD FITTING	2
2	244-58-01-394	CYLINDER SHAFT	1
3	244-26-00-345	FLANGE	1
4	340-36-00-435	CYLINDER PLUNGER	1
5	508-09-00-039	WIPER BLOCK - JIC	1
6	R20865	O-RING #11-014	1
7	R20867	BACKUP RING #8-218	2
8	R20866	O-RING #11-218	2
9	R20862	3/4" BACKUP #210	1
10	R20774	3/4" HYTREL ROD WIPER 52-750	1
11	R20771	O-RING #11-210	1
12	R07885	1/2-13 UNC 2-WAY LOCK NUT	1
13	R07794	3/8-16 UNC FLANGE NUT	2
14	R07721	3/8 x 1 UNC CARRIAGE BOLT	2

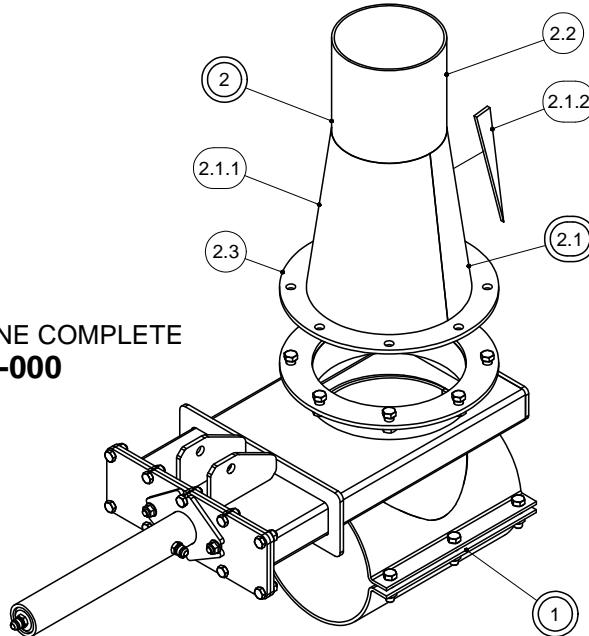
UPPER & LOWER VALVE & CONE COMPLETE

UPPER VALVE & CONE COMPLETE 244-15-00-000



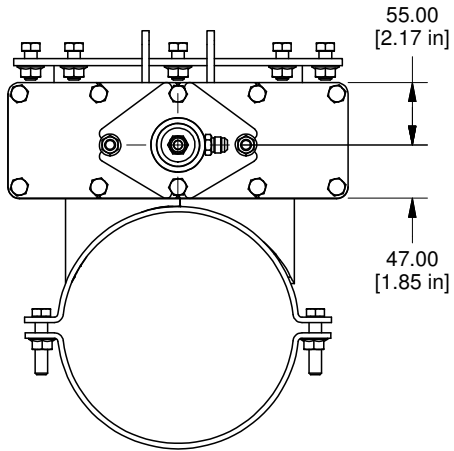
PARTS LIST				PARTS LIST			
ITEM	PART NUMBER	DESCRIPTION	QTY	ITEM	PART NUMBER	DESCRIPTION	QTY
1	244-15-01-000	AGITATOR VALVE & CYLINDER KIT	1	2.2.1	242-20-29-244	UPPER DISCHARGE CONE	2
2	242-20-53-000	UPPER CONE AND FLANGE ASSY	1	2.2.2	242-07-00-046	CONE RIBS	4
2.1	242-58-48-285	DEFLECTOR FLANGE	1	2.3	242-20-53-397	UPPER CONE EXTENSION PIPE	1
2.2	242-20-29-000	UPPER CONE ASSY	1				

LOWER VALVE & CONE COMPLETE 244-16-00-000

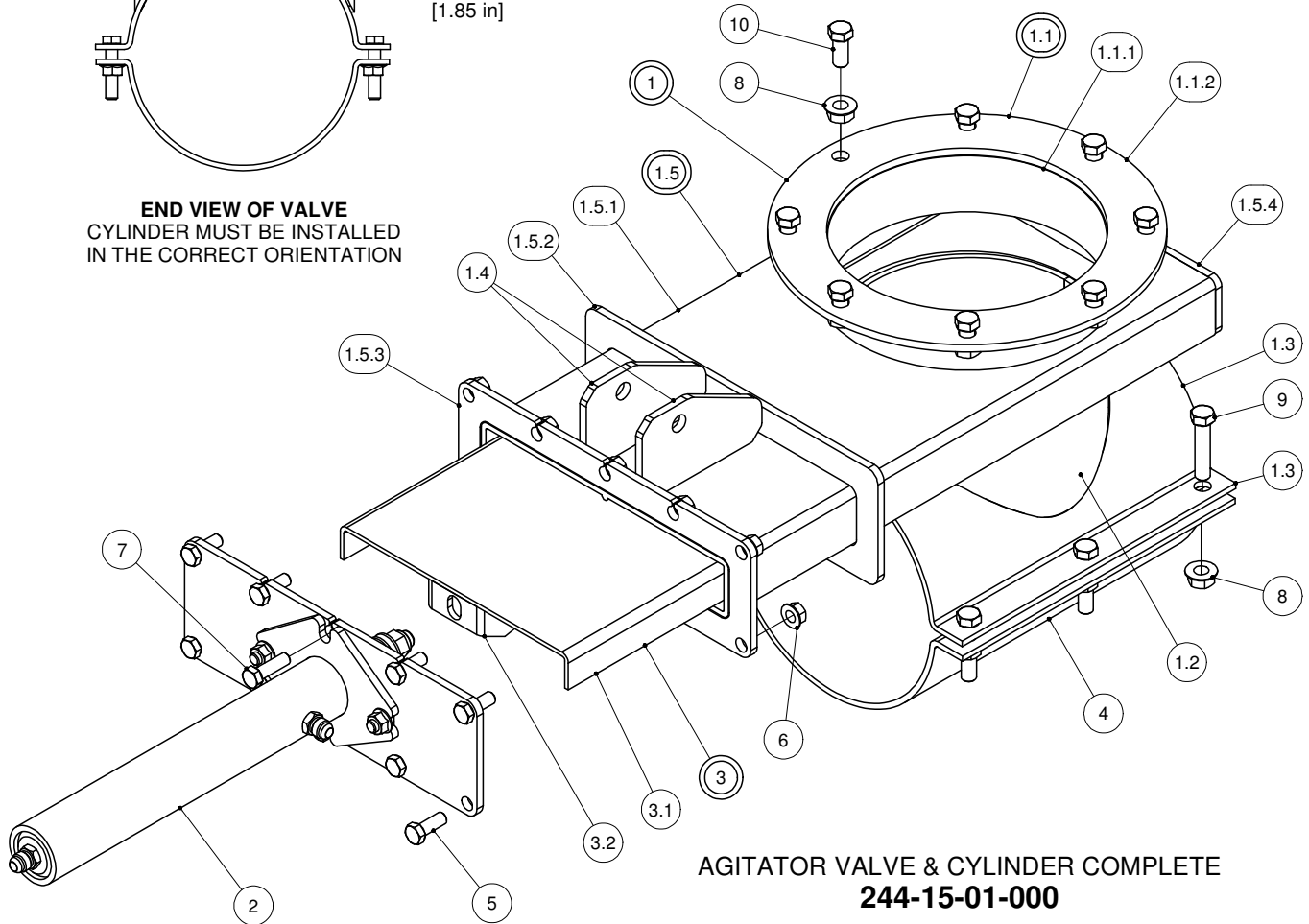


PARTS LIST				PARTS LIST			
ITEM	PART NUMBER	DESCRIPTION	QTY	ITEM	PART NUMBER	DESCRIPTION	QTY
1	244-15-01-000	AGITATOR VALVE & CYLINDER KIT	1	2.1.2	242-07-00-046	CONE RIBS	4
2	244-16-03-000	LOWER CONE AND FLANGE ASSY	1	2.2	242-93-40-398	LOWER CONE EXTENSION	1
2.1	242-93-23-000	LOWER CONE ASSY	1	2.3	242-58-48-285	DEFLECTOR FLANGE	1
2.1.1	242-93-23-226	DISCHARGE CONE	2				

AGITATOR VALVE & CYLINDER COMPLETE



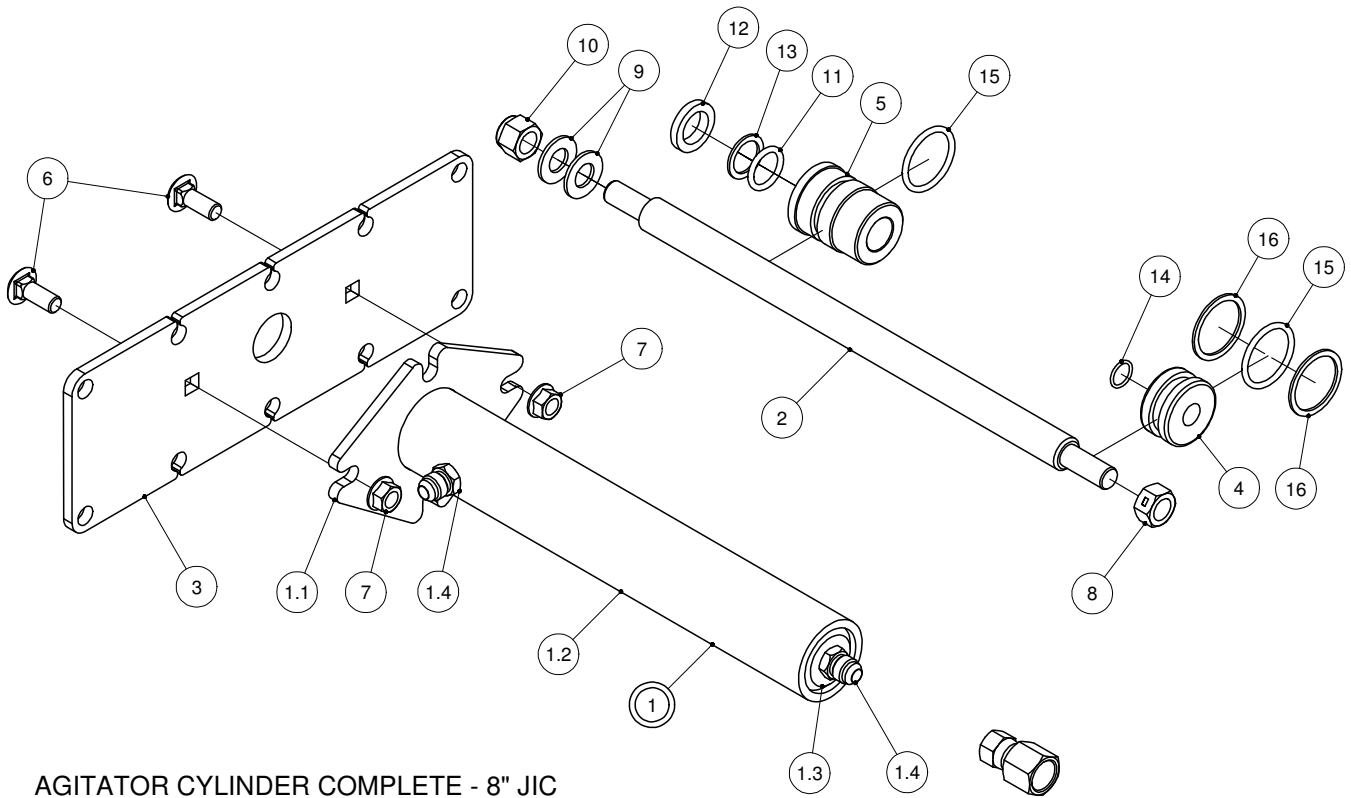
END VIEW OF VALVE
CYLINDER MUST BE INSTALLED
IN THE CORRECT ORIENTATION



AGITATOR VALVE & CYLINDER COMPLETE
244-15-01-000

PARTS LIST				PARTS LIST			
ITEM	PART NUMBER	DESCRIPTION	QTY	ITEM	PART NUMBER	DESCRIPTION	QTY
1	244-15-02-000	UPPER VALVE & FLANGE ASSY	1	2	508-09-00-000	AGITATOR CYL COMPLETE - 8" JIC	1
1.1	242-20-51-000	UPPER CONE FLANGE ASSY	1	3	242-36-42-000	VALVE GATE ASSY	1
1.1.1	242-93-23-224	CONE MOUNT	1	3.1	242-36-42-268	VALVE GATE	1
1.1.2	242-58-48-285	DEFLECTOR FLANGE	1	3.2	242-36-42-269	VALVE GATE BRKT	1
1.2	242-93-00-219	TEE SIDE	1	4	242-00-00-221	CONE CLAMP ON BRKT	1
1.3	242-93-00-220	CONE CLAMP ON BRKT	1	5	R07619	3/8 x 1 UNC HEX BOLT	8
1.4	244-15-03-430	CYLINDER BRKT	2	6	R07794	3/8-16 UNC FLANGE NUT	10
1.5	244-14-01-000	VALVE BODY ASSY	1	7	R07675	3/8 x 1 1/4 UNC HEX BOLT	2
1.5.1	244-14-01-323	VALVE BODY	1	8	R07879	7/16-14 UNC FLANGE NUT	14
1.5.2	244-14-01-324	VALVE BODY SUPPORT	1	9	R07630	7/16 x 2 UNC HEX BOLT	6
1.5.3	242-97-00-231	VALVE INNER FLANGE	1	10	R07628	7/16 x 1 UNC HEX BOLT	8
1.5.4	242-97-00-230	VALVE END CAP	1				

AGITATOR CYLINDER COMPLETE - 8" JIC



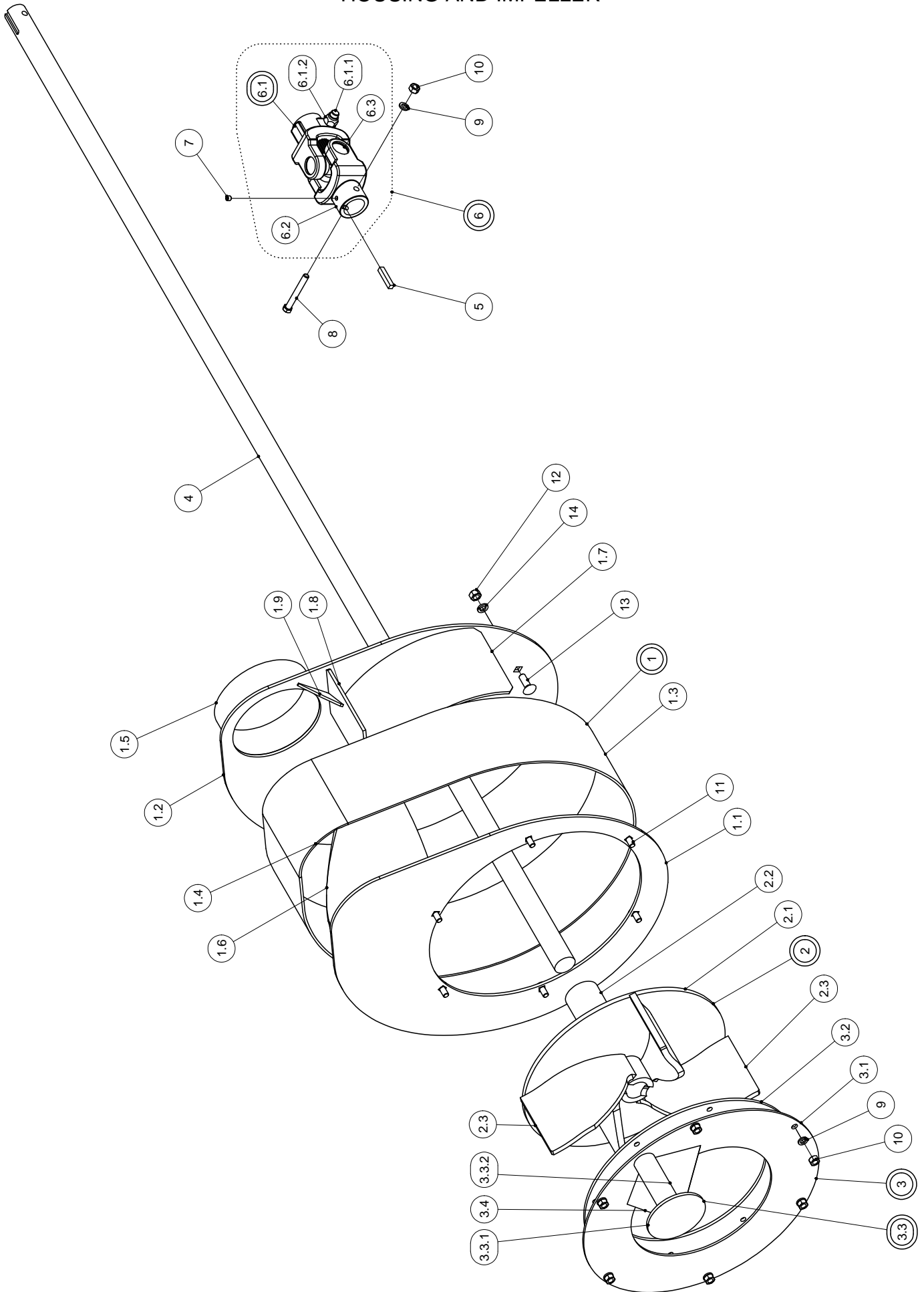
AGITATOR CYLINDER COMPLETE - 8" JIC
508-09-00-000

SEAL REPLACEMENT KIT - 508-12-00-000

R23215
 3/8" JIC F x 3/8" NPT SW ADAPTER
 MUST BE USED WHEN REPLACING
 CYLINDER ON ANY MACHINE PRIOR
 TO 2011 - 2 pcs REQ'D

PARTS LIST			
ITEM	PART NUMBER	DESCRIPTION	QTY
1	508-09-01-000	1 1/2" x 8" CYL TUBE ASSY - JIC	1
1.1	244-26-01-344	CYLINDER TUBE FLANGE	1
1.2	508-09-01-040	1 1/2" x 8" CYL TUBE - JIC	1
1.3	508-09-01-041	CYL END CAP - JIC	1
1.4	R23151	3/8" M. JIC WELD FITTING	2
2	244-14-02-325	CYLINDER SHAFT	1
3	244-26-00-345	FLANGE	1
4	340-36-00-435	CYLINDER PLUNGER	1
5	508-09-00-039	WIPER BLOCK - JIC	1
6	R07721	3/8 x 1 UNC CARRIAGE BOLT	2
7	R07794	3/8-16 UNC FLANGE NUT	2
8	R07885	1/2-13 UNC 2-WAY LOCK NUT	1
9	R08222	1/2" SS FLAT WASHER	2
10	R08229	1/2 UNC SS NYLOCK NUT	1
11	R20771	O-RING #11-210	1
12	R20774	3/4" HYTREL ROD WIPER 52-750	1
13	R20862	3/4" BACKUP #210	1
14	R20865	O-RING #11-014	1
15	R20866	O-RING #11-218	2
16	R20867	BACKUP RING #8-218	2

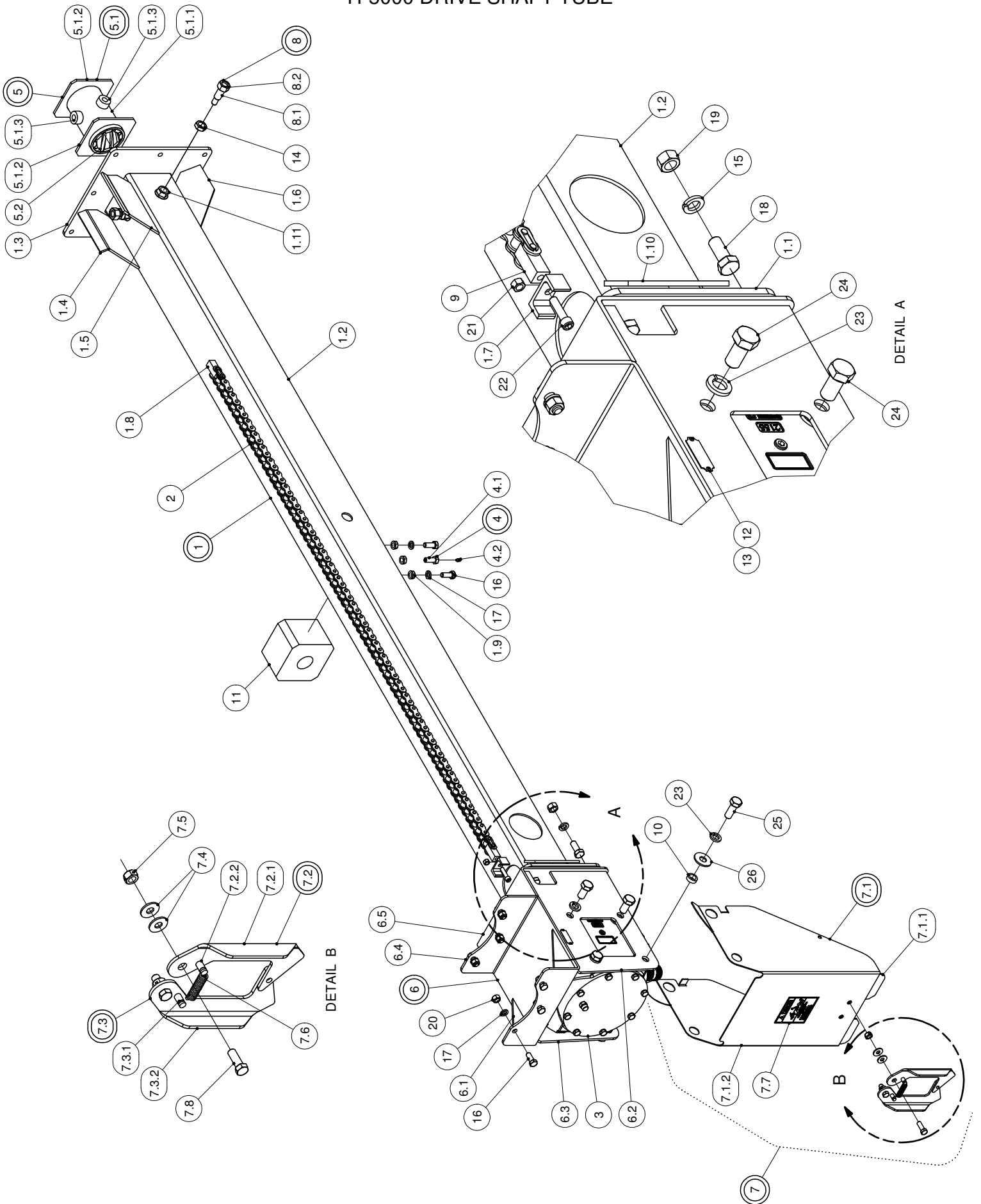
HOUSING AND IMPELLER



HOUSING AND IMPELLER

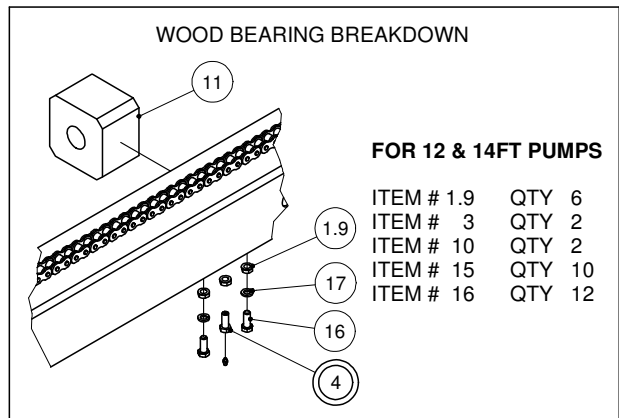
PARTS LIST			
ITEM	PART NUMBER	DESCRIPTION	QTY
1	244-39-00-000	HOUSING ASSY	1
1.1	244-39-00-374	LOWER HOUSING PLATE	1
1.2	244-39-00-373	HOUSING UPPER PLATE	1
1.3	244-39-00-376	BAND	1
1.4	244-39-00-386	HOUSING BAND CAP	1
1.5	244-39-00-375	DISCHARGE TUBE	1
1.6	244-39-00-378	BOOT END PLATE	1
1.7	244-39-00-385	INNER HOUSING BAND	1
1.8	244-39-00-377	SIDE PLATE	1
1.9	244-39-00-384	GUSSET	1
2	244-18-00-000	IMPELLER ASSY	1
2.1	244-18-00-330	IMPELLER BACK PLATE	1
2.2	244-18-00-331	IMPELLER SLEEVE	1
2.3	244-18-00-329	IMPELLER BLADE	4
3	244-01-00-000	COVER PLATE ASSY	1
3.1	244-01-00-256	COVER PLATE	1
3.2	244-01-00-255	COVER PLATE SUPPORT	1
3.3	250-04-03-000	FOOT ASSY	1
3.3.1	250-04-03-012	FOOT END	1
3.3.2	250-04-03-013	FOOT PLATE	1
3.4	250-04-00-173	FOOT GUSSET	2
4	242-00-00-258	DRIVE SHAFT - 8FT MODEL	1
	244-00-00-259	DRIVE SHAFT - 10FT MODEL	1
	246-00-00-260	DRIVE SHAFT - 12FT MODEL	1
	246-00-00-560	DRIVE SHAFT - 14FT MODEL	1
5	270-00-00-075	3/8 KEY - 50mm LONG	1
6	242-54-00-000	KNUCKLE ASSY	1
6.1	R22028	1 3/4" QD YOKE 27T C/W BOLT & NUT	1
6.1.1	R08281	M16-2 x 90 HEX BOLT	1
6.1.2	R08266	M16-2 NYLON INSERT LOCK NUT	1
6.2	R22030	1 3/4" ROUND HOLE YOKE	1
6.3	R22029	CROSS KIT	1
7	R07909	3/8 x 3/8 SET SCREW	1
8	R07633	7/16 x 3 1/2 UNC HEX BOLT	1
9	R07804	7/16" LOCK WASHER	7
10	R07784	7/16-14 UNC HEX NUT	7
11	R07731	7/16 x 1 UNC CARRIAGE BOLT	6
12	R07785	1/2-13 UNC HEX NUT	8
13	R07777	1/2 x 1 1/2 UNC CARRIAGE BOLT	8
14	R07805	1/2" LOCK WASHER	8

H-5000 DRIVE SHAFT TUBE

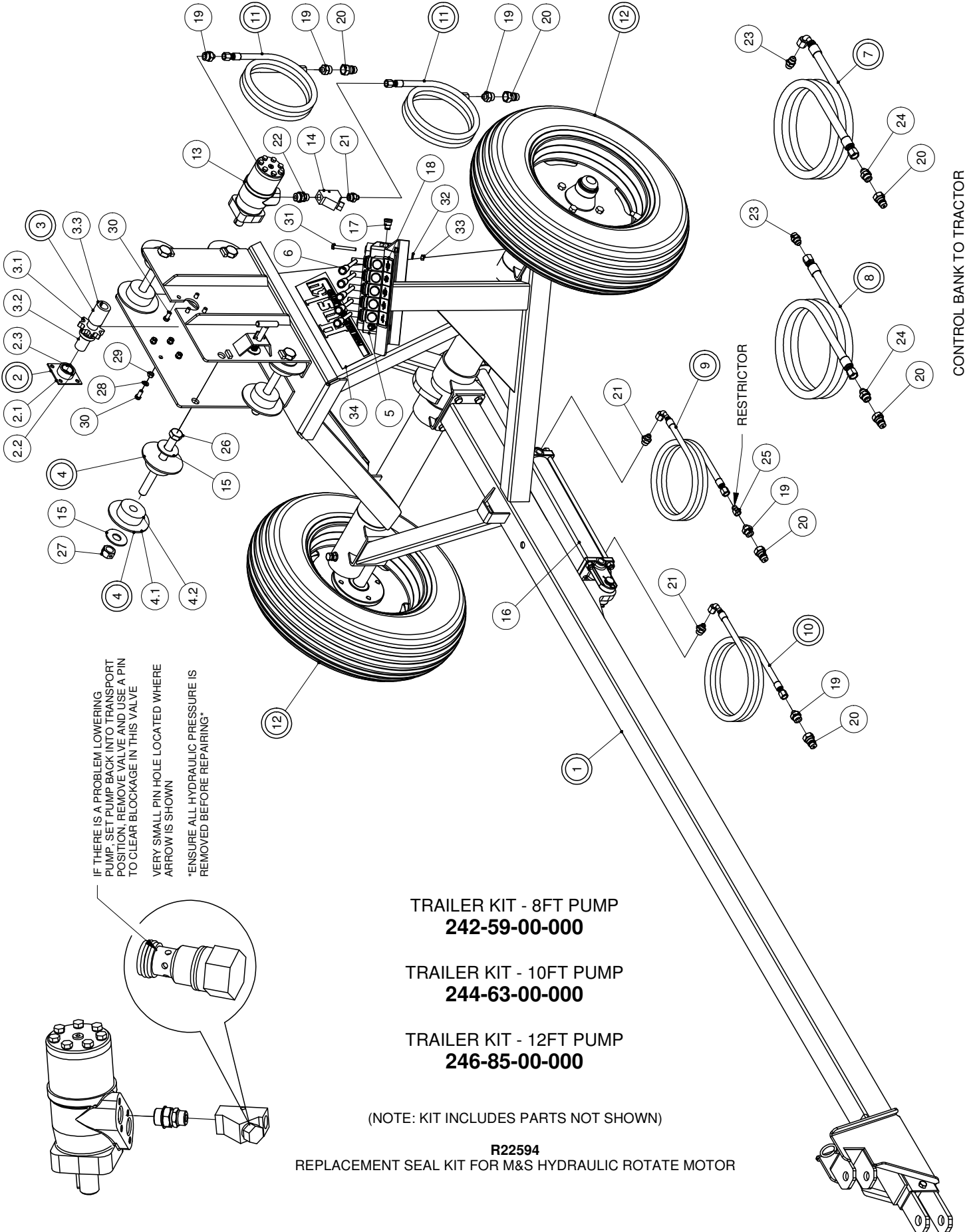


H-5000 DRIVE SHAFT TUBE

PARTS LIST				PARTS LIST			
ITEM	PART NUMBE	DESCRIPTION	QTY	ITEM	PART NUMBE	DESCRIPTION	QTY
1	242-82-00-000	SHAFT TUBE ASSY-8 FT	1	7.2	242-16-00-000	LH STABILIZER BRKT ASSY	1
	244-83-00-000	SHAFT TUBE ASSY-10 FT	1	7.2.1	242-16-00-079	STABILIZER BRKT-LH	1
	246-84-00-000	SHAFT TUBE ASSY-12 FT	1	7.2.2	242-16-00-080	SPRING RETAINING ROD	1
	246-95-00-000	SHAFT TUBE ASSY-14 FT	1	7.3	242-96-00-000	RH STABILIZER BRKT ASSY	1
1.1	242-11-00-062	DRIVE SHAFT TUBE END PLATE	1	7.3.1	242-16-00-080	SPRING RETAINING ROD	1
1.2	242-82-00-203	SHAFT TUBE-8 FT	1	7.3.2	242-96-00-702	STABILIZER BRKT-RH	1
	244-83-00-205	SHAFT TUBE-10 FT	1	7.4	R07824	7/16 FLAT WASHER	2
	246-84-00-206	SHAFT TUBE-12 FT	1	7.5	R07891	7/16 2-WAY LOCK NUT	2
	246-95-00-550	SHAFT TUBE-14 FT	1	7.6	R08025	STABILIZER SPRING	1
1.3	242-82-00-204	LOWER SHAFT TUBE FLANGE	1	7.7	R21521	"ROTATING DRIVE LINE" DECAL	1
1.4	242-82-00-415	RH GUSSET STOP PLATE	1	7.8	R07671	7/16 x 1 1/4 UNC HEX BOLT	2
1.5	242-11-00-057	LH GUSSET STOP PLATE	1	8	244-97-00-000	3/4" S.S. SET SCREW ASSY	2
1.6	242-11-00-058	SHAFT TUBE GUSSET	2	8.1	244-97-00-522	3/4" S.S. REDDI THREAD SET SCREW	1
1.7	242-11-00-061	TIGHTENER BRACKET	1	8.2	R07787	3/4-10 UNC HEX NUT	1
1.8	242-11-00-059	CHAIN HOLD DOWN BRACKET	1	9	242-00-00-066	CHAIN TIGHTENER	1
1.9	R08304	1/2 S.S. FLANGE NUT	3	10	246-12-00-701	GUARD PIVOT SLEEVE	2
1.10	242-11-00-064	TUBE GUSSET	2	11	R20235	5.58" SQ WOOD BEARING	1
1.11	R08433	3/4-10 UNC PLATED FLANGE NUT	2	12	R09071	SERIAL NUMBER PLATE	1
2	242-00-00-065	ROLLER CHAIN - 8 FT	1	13	R08152	6 x 1/4 PAN HD SOCKET SCREW	2
	244-00-00-169	ROLLER CHAIN - 10 FT	1	14	R07847	3/4-10 UNC JAM NUT	2
	246-00-00-177	ROLLER CHAIN - 12 FT	1	15	R07806	5/8" LOCK WASHER	4
	246-00-00-580	ROLLER CHAIN - 14 FT	1	16	R07674	1/2 x 1 1/4 UNC HEX BOLT	8
3	R20705	1:1 BONDIOLI GEARBOX 2155	1	17	R07805	1/2" LOCK WASHER	8
	R20694	1.25:1 BONDIOLI GEARBOX 2155	1	18	R07646	5/8 x 1 1/2 UNC HEX BOLT	4
	R20699	1:1.53 BONDIOLI GEARBOX 2155	1	19	R07786	5/8-11 UNC HEX NUT	4
4	244-88-00-000	WOOD BEARING GREASE BOLT KIT	1	20	R07785	1/2-13 UNC HEX NUT	6
4.1	244-88-00-451	WOOD BEARING GREASE BOLT	1	21	R07797	3/8-24 UNF HEX NUT	1
4.2	R08183	1/4" - 28 STRAIGHT GREASE FITTING	1	22	R07868	3/8 x 1 1/2 UNF SHCS	1
5	244-13-00-000	MARINE BEARING & HOLDER COMP.	1	23	R07807	3/4" LOCK WASHER	6
5.1	244-13-01-000	2 3/4" MARINE BEARING HOLDER	1	24	R07700	3/4 x 1 1/2 UNC HEX BOLT	6
5.1.1	244-13-01-320	HOLDER TUBE	1	25	R07654	3/4 x 2 UNC HEX BOLT	2
5.1.2	244-13-01-321	BEARING HOLDER PLATE	2	26	R07827	3/4" FLAT WASHER	2
5.1.3	244-13-01-322	SET SCREW SEAT	2				
5.2	R20224	H5000 2 3/4" URETHENE FOR BRG	1				
6	246-12-01-000	GEARBOX BRKT ASSY - BONDIOLI	1				
6.1	244-03-00-414	GEARBOX BRKT GUSSET	2				
6.2	246-12-01-694	RH GEARBOX BRKT - BONDIOLI	1				
6.3	246-12-01-695	LH GEARBOX BRKT - BONDIOLI	1				
6.4	246-12-01-697	STANDPIPE SADDLE - BONDIOLI	1				
6.5	246-12-01-696	GEARBOX LOWER PLATE - BONDIOLI	1				
7	246-12-02-000	PTO GUARD KIT - BONDIOLI	1				
7.1	246-12-03-000	PTO GUARD ASSY - BONDIOLI	1				
7.1.1	246-12-03-699	REIN. ANGLE - BONDIOLI	1				
7.1.2	246-12-03-698	PTO GUARD - BONDIOLI	1				



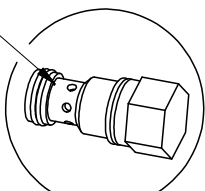
TRAILER COMPLETE



IF THERE IS A PROBLEM LOWERING PUMP, SET PUMP BACK INTO TRANSPORT POSITION, REMOVE VALVE AND USE A PIN TO CLEAR BLOCKAGE IN THIS VALVE

VERY SMALL PIN HOLE LOCATED WHERE ARROW IS SHOWN

ENSURE ALL HYDRAULIC PRESSURE IS REMOVED BEFORE REPAIRING



TRAILER KIT - 8FT PUMP
242-59-00-000

TRAILER KIT - 10FT PUMP
244-63-00-000

TRAILER KIT - 12FT PUMP
246-85-00-000

(NOTE: KIT INCLUDES PARTS NOT SHOWN)

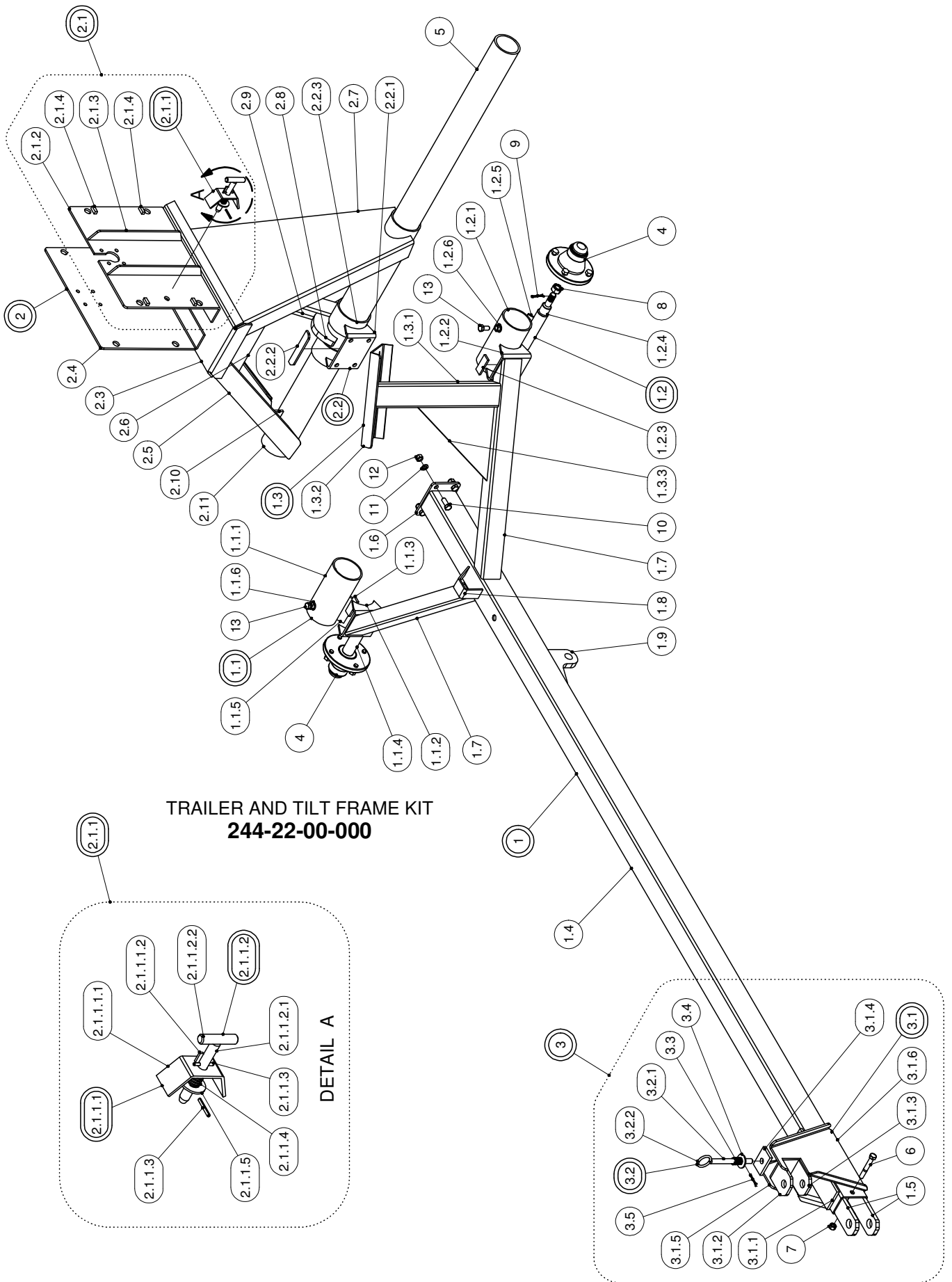
R22594
REPLACEMENT SEAL KIT FOR M&S HYDRAULIC ROTATE MOTOR

CONTROL BANK TO TRACTOR

TRAILER COMPLETE

PARTS LIST			
ITEM	PART NUMBER	DESCRIPTION	QTY
1	244-22-00-000	TRAILER AND TILT FRAME KIT	1
2	242-26-00-000	BUSHING HOLDER ASSY	1
2.1	242-26-00-133	BUSHING HOLDER PLATE	1
2.2	242-26-00-134	BUSHING HOLDER	1
2.3	R20259	BUSHING 1 1/4 x 1 1/2 x 3/4 LONG	1
3	242-25-00-000	SPROCKET DRIVE ASSY	1
3.1	R20644	80 B8 SROCKET w/ 1 1/4" BORE	1
3.2	242-25-00-131	SPROCKET SHAFT	1
3.3	242-25-00-132	MOTOR TO SHAFT COUPLING	1
4	242-24-00-000	SPOOL ROLLER ASSY	8
4.1	242-24-00-129	SPOOL END PLATE	1
4.2	242-24-00-128	SPOOL HOLDER	1
5	R22250	5 BANK MONOBLOCK VALVE	1
6	R22251	VALVE HANDLE ASSY	5
7	242-71-00-000	1/2" HYDRAULIC HOSE ASSY	1
8	242-72-00-000	1/2" HYDRAULIC HOSE ASSY	1
9	244-78-00-000	HYD HOSE ASSY-TRACTOR TO TIP CYLINDER	1
10	246-20-00-000	HYD HOSE ASSY-TRACTOR TO TIP CYLINDER	1
11	244-80-00-000	HYD HOSE ASSY-TRACTOR TO ORBIT MOTOR	2
12	250-65-00-000	TIRE & WHEEL ASSY - 5.9 x 15	2
13	R22255	M&S HYDRAULIC MOTOR	1
14	R23330	FLOW CONTROL VALVE - ORB-8	1
15	R07828	1" FLAT WASHER	8
16	R23290	30TH14 HYD CYL-ORB	1
17	R22252	CLOSED CENTRE PLUG M18x1.5	1
18	R09653	CONTROL VALVE STICKER-H5	1
19	R23094	ORB-10 x 3/8" JIC M ADAPTOR	5
20	R23182	MALE PIONEER TIP-ORB-10	6
21	R23091	ORB-8 X 3/8" JIC M ADAPTOR	3
22	R23226	ORB-8 x ORB-10 NIPPLE	1
23	R23092	ORB-8 x 1/2" JIC M. ADAPTOR	2
24	R23095	ORB-10 x 1/2" JIC M ADAPTOR	2
25	R23193	3/8" JIC M. x 3/8" JIC F. RESTRICTOR	1
26	R07697	7/8 x 9 UNC HEX BOLT	4
27	R08047	7/8-9 UNC 2-WAY LOCK NUT	4
28	R07803	3/8" LOCK WASHER	8
29	R07783	3/8-16 UNC HEX NUT	4
30	R07670	3/8 x 7/8 UNC HEX BOLT	8
31	R07614	5/16 x 2 1/2 UNC HEX BOLT	3
32	R07802	5/16" LOCK WASHER	3
33	R07782	5/16-18 UNC HEX NUT	3
34	R09691	HUSKY DECAL 3.75" x 13"	2

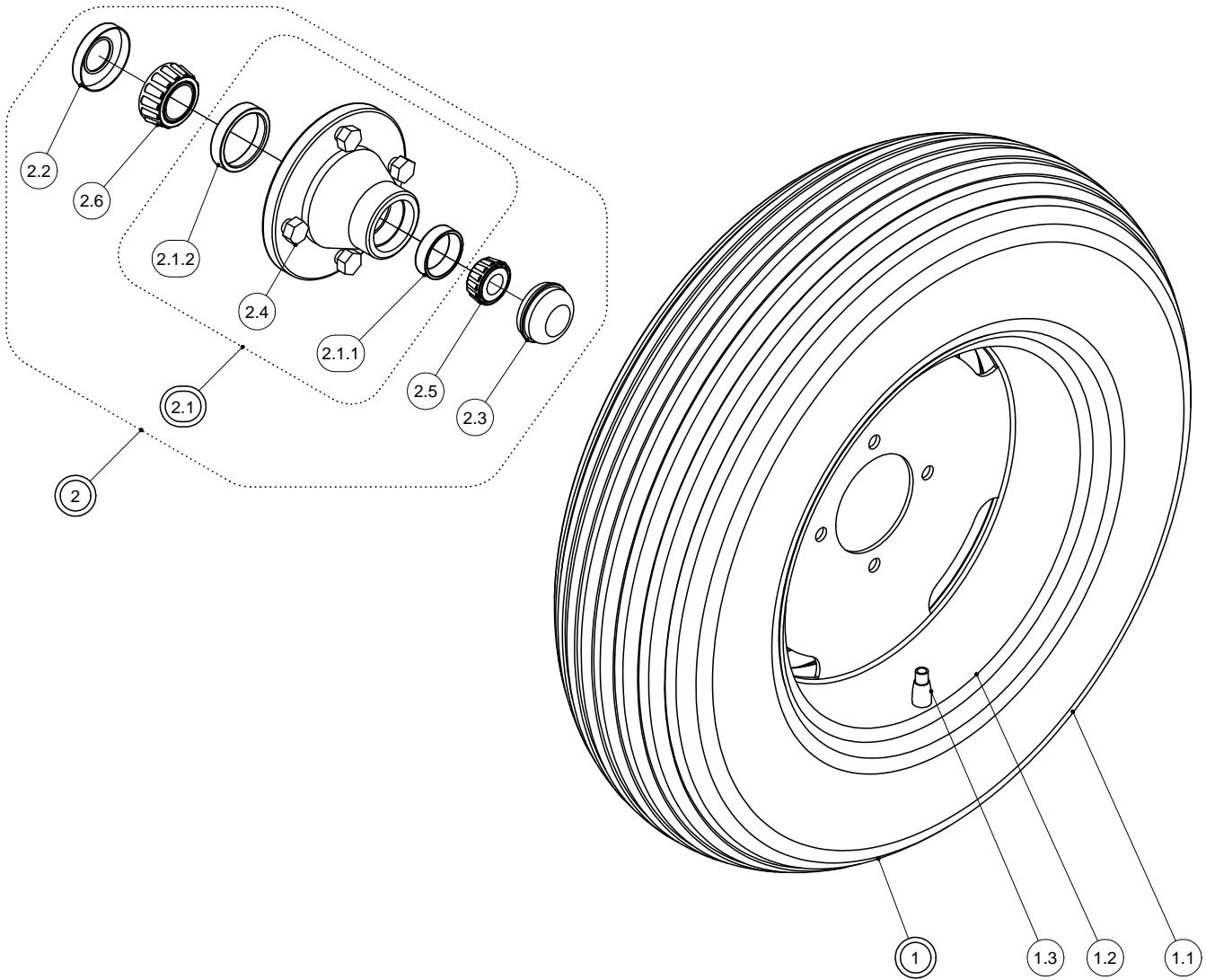
TRAILER & TILT FRAME KIT



TRAILER AND TILT FRAME KIT

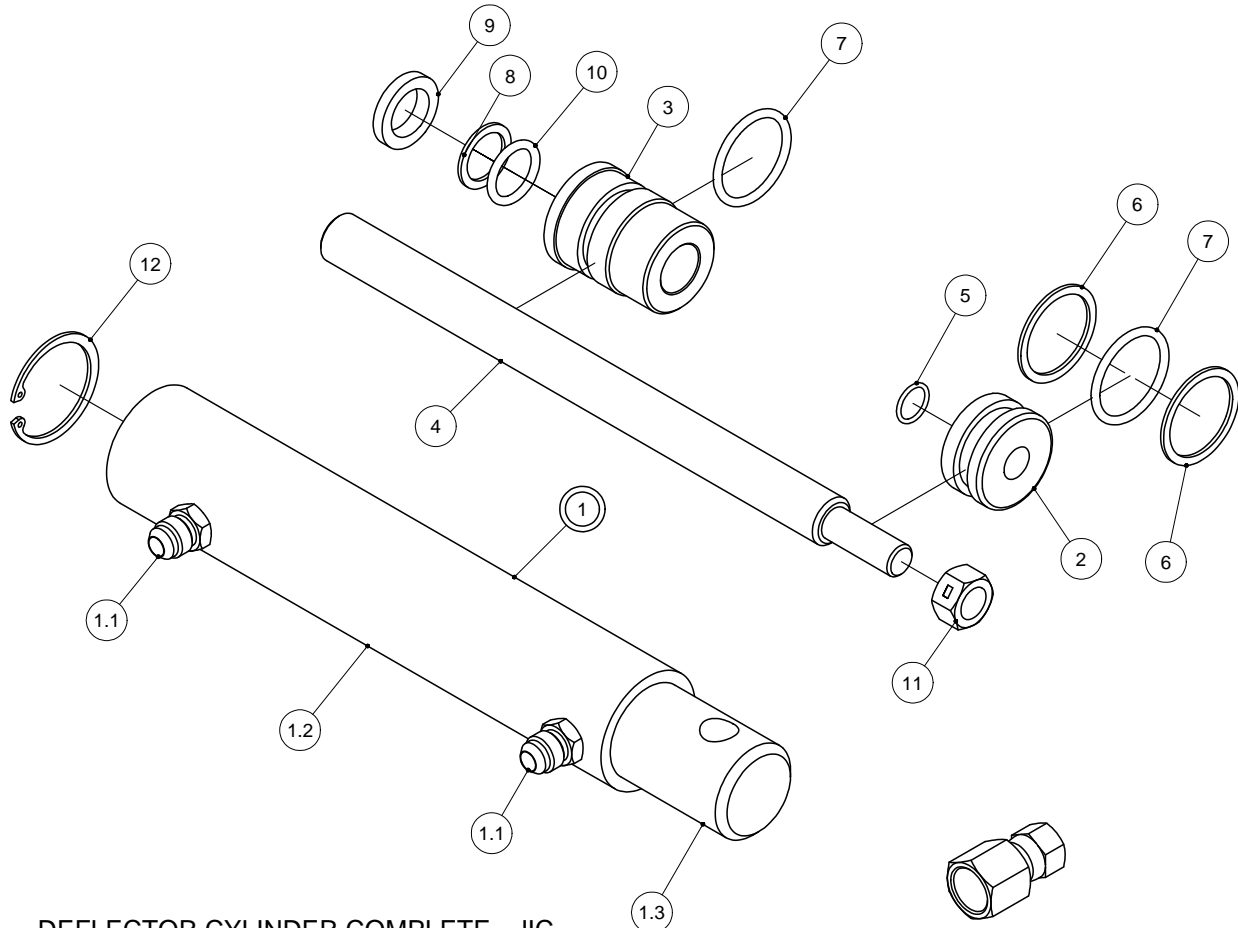
PARTS LIST				PARTS LIST			
ITEM	PART NUMBER	DESCRIPTION	QTY	ITEM	PART NUMBER	DESCRIPTION	QTY
1	242-89-00-000	TRAILER ASSY	1	2.1.4	242-17-13-261	STOP BLOCK	4
1.1	242-18-14-000	RH SPINDLE SLEEVE HOLDER	1	2.2	242-19-00-000	TONGUE AXLE BRKT ASSY	1
1.1.1	242-18-00-102	OUTER SLEEVE	1	2.2.1	242-19-00-107	TONGUE AXLE BRKT	1
1.1.2	242-18-14-100	AXLE BRACE BRKT	1	2.2.2	242-19-00-108	REINFORCING BAR	1
1.1.3	242-18-14-101	REINFORCING BAR	1	2.2.3	242-19-00-109	OUTER SLEEVE	2
1.1.4	R20141	SPINDLE	1	2.3	242-17-00-084	TILT FRAME BASE	1
1.1.5	242-89-00-215	SPINDLE REINFORCING BAR	1	2.4	242-17-00-083	LH SPOOL HOLDER	1
1.1.6	R07795	1/2-13 UNC FLANGE NUT	1	2.5	242-17-00-085	LH SUPPORT ARM	1
1.2	242-18-28-000	LH SPINDLE SLEEVE HOLDER	1	2.6	242-17-00-088	TILT FRAME GUSSET	1
1.2.1	242-18-00-102	OUTER SLEEVE	1	2.7	242-17-00-086	RH SUPPORT ARM	1
1.2.2	242-18-14-100	AXLE BRACE BRKT	1	2.8	242-17-00-089	CYLINDER AXLE BRKT	1
1.2.3	242-18-14-101	REINFORCING BAR	1	2.9	242-17-00-087	REINFORCING BARS	2
1.2.4	R20141	SPINDLE	1	2.10	242-17-00-091	SUPPORT ARM GUSSET	2
1.2.5	242-89-00-215	SPINDLE REINFORCING BAR	1	2.11	242-17-00-090	WHEEL SHAFT SLEEVE	1
1.2.6	R07795	1/2-13 UNC FLANGE NUT	1	3	244-06-00-000	HITCH KIT	1
1.3	242-18-15-000	CONTROL VALVE STAND ASSY	1	3.1	242-99-00-000	HITCH ASSY	1
1.3.1	242-18-15-103	CONTROL VALVE STAND TUBE	1	3.1.1	242-99-00-238	HITCH BRKT	1
1.3.2	242-18-15-104	CONTROL VALVE PLATE	1	3.1.2	242-99-00-239	UPPER TONGUE PLATE	1
1.3.3	242-18-15-106	STANDTUBE GUSSET	1	3.1.3	242-99-00-240	LOWER TONGUE PLATE	1
1.4	242-18-00-092	TRAILER TUBE	1	3.1.4	242-99-00-242	PIN BRKT	1
1.5	242-89-00-243	TRAILER TUBE TONGUE PLATE	2	3.1.5	242-99-00-245	RH SIDE PLATE	1
1.6	242-18-00-099	TONGUE BRKT	1	3.1.6	242-99-00-241	LH SIDE PLATE	1
1.7	242-18-00-093	FRAME TUBE BRACE	2	3.2	242-98-00-000	DROP PIN ASSY	1
1.8	242-18-00-095	ROLLER CASE STOP	1	3.2.1	242-98-00-233	DROP PIN	1
1.9	242-18-00-096	CYLINDER GUSSET	1	3.2.2	250-00-00-354	1/4 X 1 1/2" RING	1
2	242-17-00-000	"A" FRAME ASSY	1	3.3	R08027	7/8 x 1 3/8 COMP. SPRING	1
2.1	242-17-13-000	RH SPOOL HOLDER ASSY	1	3.4	R07826	5/8 FLAT WASHER	1
2.1.1	242-27-00-000	SIDE LOCK KIT	1	3.5	R08207	5/32 x 1 1/2 S.S. COTTER PIN	1
2.1.1.1	242-17-17-000	SIDE LOCK BRACKET ASSY	1	4	250-60-30-000	H-411 HUB COMPLETE	2
2.1.1.1.1	242-17-17-193	SIDE LOCK BRACKET	1	5	242-00-00-113	INNER AXLE	1
2.1.1.1.2	242-17-17-194	PIN STOP	1	6	R07642	1/2 x 3 1/2 HEX BOLT	1
2.1.1.2	242-17-18-000	SIDE LOCK PIN ASSY	1	7	R07885	1/2 - 2 WAY LOCK NUT	1
2.1.1.2.1	242-17-18-195	SIDE LOCK PIN	1	8	R20142	SLOTTED HEX NUT	2
2.1.1.2.2	242-17-18-196	PIN HANDLE	1	9	R08207	5/32 x 1 1/2 S.S. COTTER PIN	2
2.1.1.3	R07943	3/16 x 1 1/2 ROLL PIN	2	10	R07674	1/2 x 1 1/4 UNC HEX BOLT	4
2.1.1.4	R08027	7/8 x 1 3/8 COMP. SPRING	1	11	R07805	1/2" LOCK WASHER	4
2.1.1.5	R07826	5/8 FLAT WASHER	1	12	R07785	1/2-13 UNC HEX NUT	4
2.1.2	242-17-13-081	RH SPOOL HOLDER	1	13	R07637	1/2 x 1 UNC HEX BOLT	2
2.1.3	242-17-13-082	SPOOL HOLDER BRACE	2				

TIRE, WHEEL AND HUB



PARTS LIST			
ITEM	PART NUMBER	DESCRIPTION	QTY
1	250-65-00-000	TIRE & WHEEL ASSY - 5.9 x 15	1
1.1	R20016	5.9 x 15 RIB IMPLEMENT TIRE	1
1.2	R20057	4.5 x 15 WHEEL - 4 BOLT	1
1.3	R20020	VALVE STEM	1
2	250-60-30-000	H-411 HUB COMPLETE	1
2.1	R20139	H-411 HUBS w/ CUPS	1
2.1.1	R20130	H411 LM11910 O.CUP	1
2.1.2	R20129	H411 LM67010 I.CUP	1
2.2	R20144	OIL SEAL CRSE11	1
2.3	R20143	DUST CAP	1
2.4	R20145	WB55 1/2 x 1 WHEEL BOLT	4
2.5	R20158	LM11949 OUTER CONE .75" BORE	1
2.6	R20159	LM67048 INNER CONE 1.25" BORE	1

DEFLECTOR CYLINDER COMPLETE - JIC



DEFLECTOR CYLINDER COMPLETE - JIC
508-11-00-000

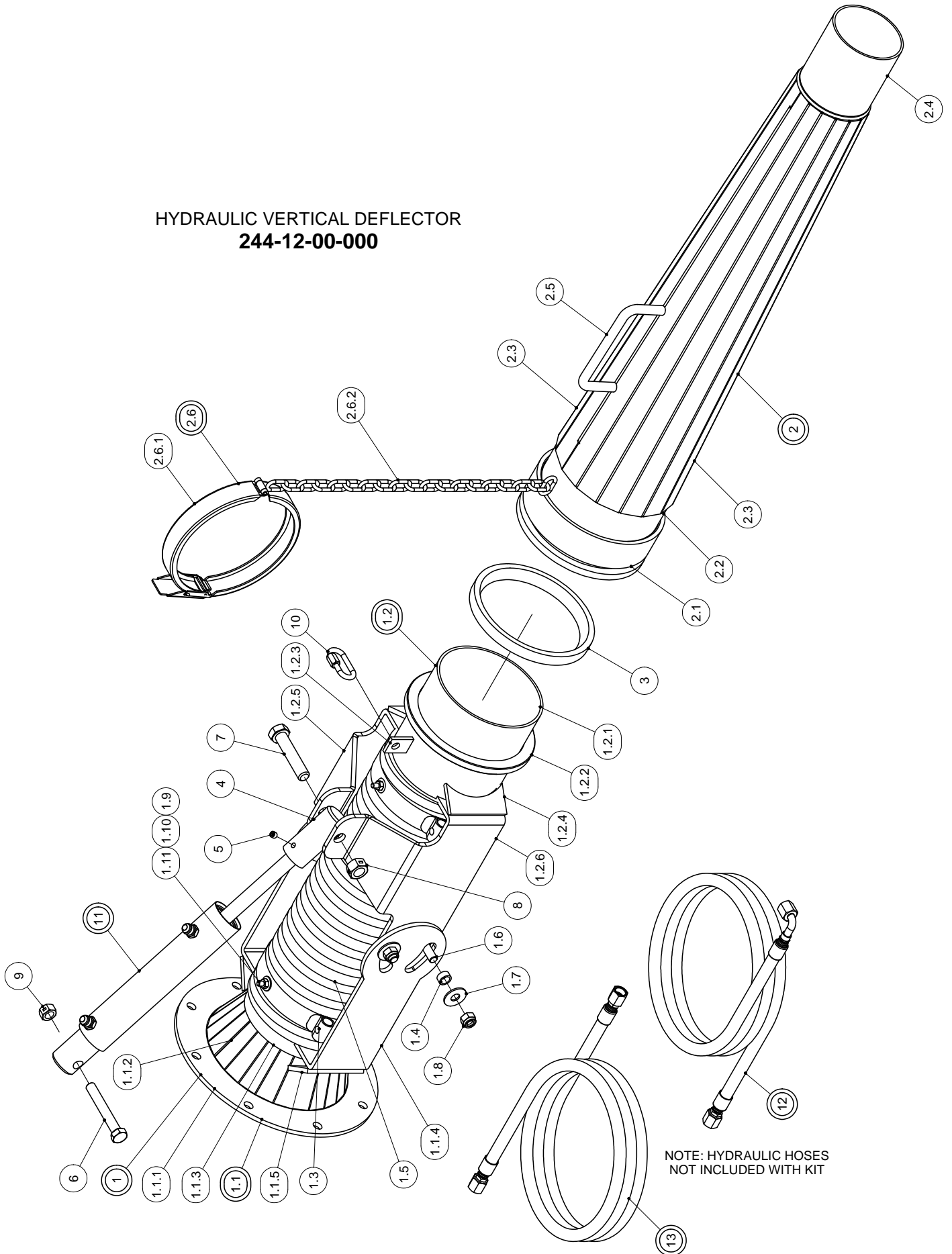
SEAL REPLACEMENT KIT **508-12-00-000**

R23215
 3/8" JIC F x 3/8" NPT SW ADAPTER
 MUST BE USED WHEN REPLACING
 CYLINDER ON ANY MACHINE PRIOR
 TO 2011 - 2 pcs REQ'D

PARTS LIST			
ITEM	PART NUMBER	DESCRIPTION	QTY
1	508-11-01-000	DEFLECTOR CYL TUBE ASSY - JIC	1
1.1	R23151	3/8" M. JIC WELD FITTING	2
1.2	508-11-01-038	DEFLECTOR CYL TUBE - JIC	1
1.3	508-11-01-042	DEFLECTOR CYL END CAP - JIC	1
2	340-36-00-435	CYLINDER PLUNGER	1
3	508-09-00-039	WIPER BLOCK - JIC	1
4	275-15-00-122	HYDRAULIC CYLINDER SHAFT	1
5	R20865	O-RING #11-014	1
6	R20867	BACKUP RING #8-218	2
7	R20866	O-RING #11-218	2
8	R20862	3/4" BACKUP #210	1
9	R20774	3/4" HYTREL ROD WIPER 52-750	1
10	R20771	O-RING #11-210	1
11	R07885	1/2-13 UNC 2-WAY LOCK NUT	1
12	R08198	1 9/16" INTERNAL SNAP RING	1

VERTICAL DEFLECTOR

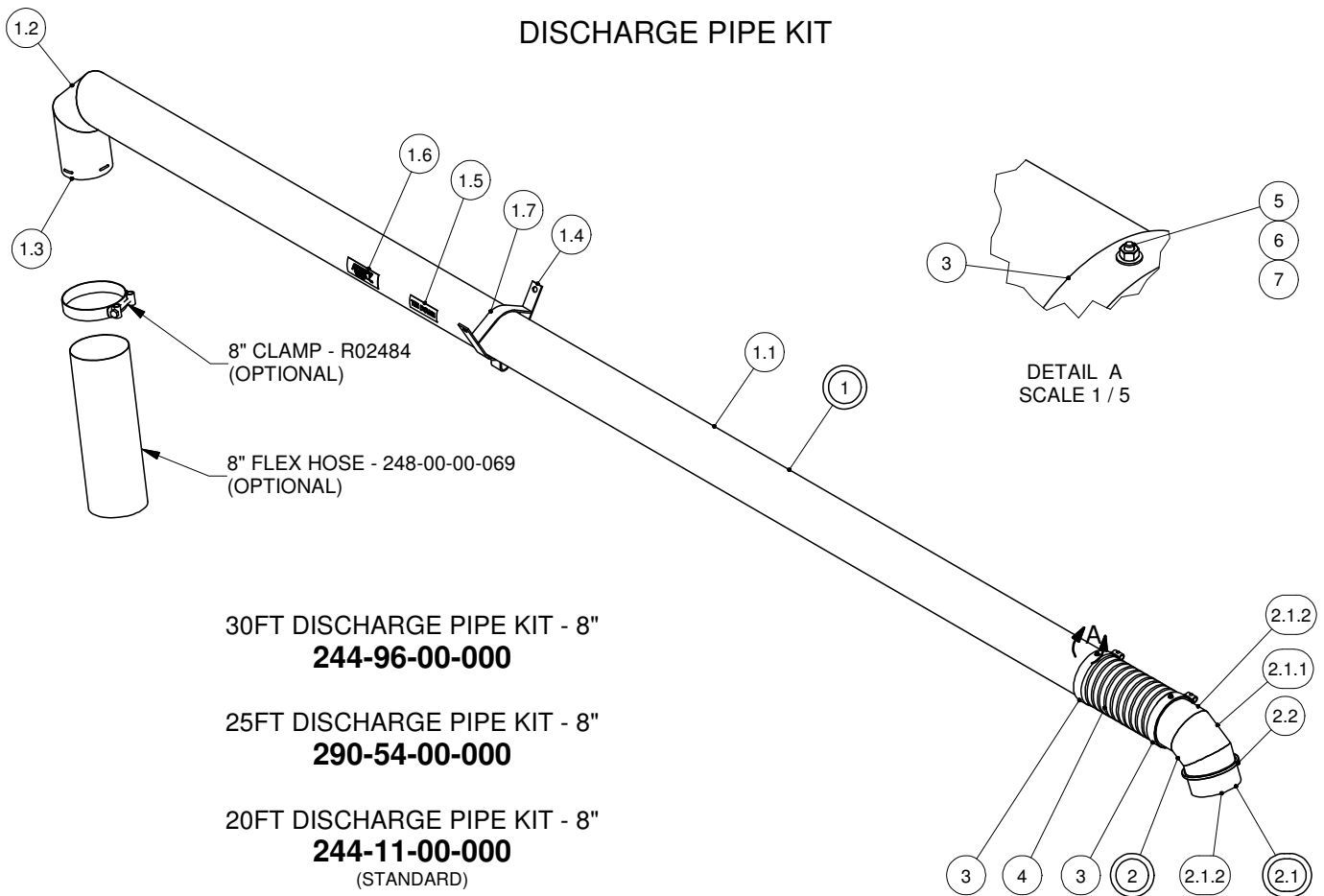
HYDRAULIC VERTICAL DEFLECTOR 244-12-00-000



VERTICAL DEFLECTOR

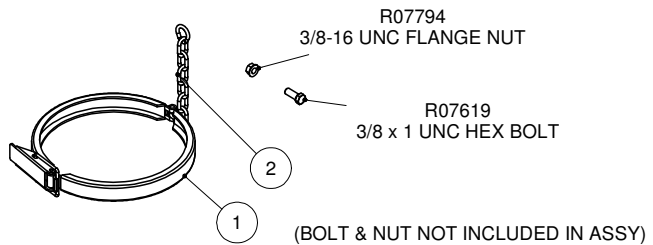
PARTS LIST			
ITEM	PART NUMBER	DESCRIPTION	QTY
1	244-12-08-000	DEFLECTOR MECHANISM KIT	1
1.1	244-12-01-000	CONE ASSY 8" TO 6" W/PIVOT BRKT	1
1.1.1	242-58-48-285	DEFLECTOR FLANGE	1
1.1.2	270-63-34-188	8 TO 6" CONE	1
1.1.3	244-12-03-313	CONE MALE END	1
1.1.4	244-05-43-276	MAIN PIVOT BRKT	2
1.1.5	244-12-01-332	GUSSET	2
1.2	244-12-02-000	CYLINDER BRKT ASSY	1
1.2.1	244-12-01-309	EXTENSION TUBE	1
1.2.2	250-95-00-295	CLAMP RING	1
1.2.3	250-96-00-298	CHAIN LUG	1
1.2.4	244-12-02-312	GUSSET	2
1.2.5	244-12-02-504	RH PIVOT BRKT	1
1.2.6	244-12-02-505	LH PIVOT BRKT	1
1.3	R02482	6" HOSE CLAMP	2
1.4	244-05-00-281	SPACER PIPE	4
1.5	270-63-00-187	FLEX HOSE	1
1.6	R07774	7/16 x 1 1/4 UNC CARRIAGE BOLT	4
1.7	R07824	7/16" FLAT WASHER	4
1.8	R08178	7/16 UNC NYLOCK NUT	4
1.9	R07821	1/4" FLAT WASHER	4
1.10	R07781	1/4-20 UNC HEX NUT	4
1.11	R07601	1/4 x 1 UNC HEX BOLT	4
2	244-12-07-000	CONE ASSY	1
2.1	250-96-01-296	6" COUPLING BASE TUBE	1
2.2	244-12-02-311	FILLER PIPE	1
2.3	244-12-03-314	CONE (HALF)	2
2.4	244-12-05-319	STUB TUBE	1
2.5	244-12-03-341	CONE HANDLE	1
2.6	244-99-00-000	CLAMP & CHAIN ASSY	1
2.6.1	R02487	6" RING LOCK CLAMP	1
2.6.2	244-99-00-527	CLAMP CHAIN	1
3	R02366	6" RUBBER GASKET	1
4	242-58-00-293	CYLINDER SHAFT LUG	1
5	R07926	5/16-18 x 1/4" SET SCREW	1
6	R07642	1/2 x 3 1/2 UNC HEX BOLT	1
7	R07649	5/8 x 3 UNC HEX BOLT	1
8	R07887	5/8-11 UNC 2-WAY LOCK NUT	1
9	R07885	1/2-13 UNC 2-WAY LOCK NUT	1
10	R08435	1/4 Quick Link	1
11	508-11-00-000	DEFLECTOR CYL COMPLETE - JIC	1
12	244-67-00-000	1/4" HYD HOSE ASSY	1
13	244-53-00-000	1/4" HYD HOSE ASSY	1

DISCHARGE PIPE KIT



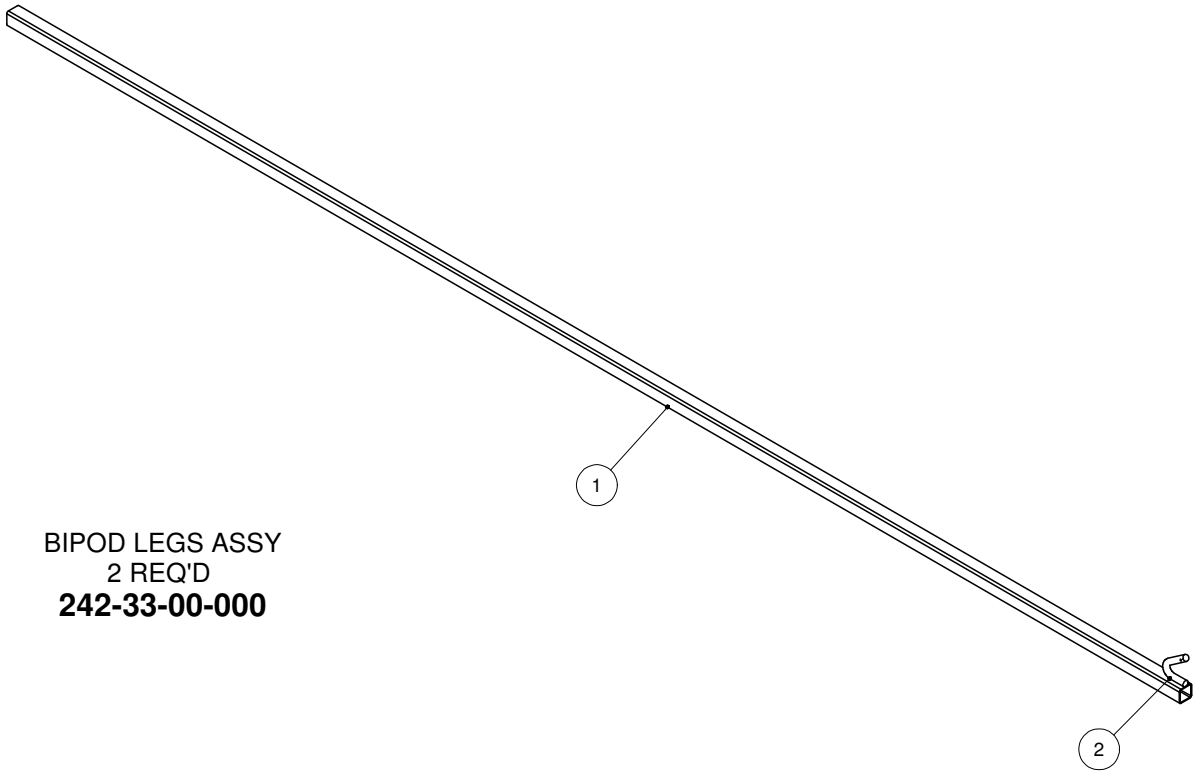
PARTS LIST				PARTS LIST			
ITEM	PART NUMBER	DESCRIPTION	QTY	ITEM	PART NUMBER	DESCRIPTION	QTY
1	244-96-01-000	30 FT DISCHARGE PIPE ASSY	1	1.7	242-30-00-528	8" PIPE HOOK REINFORCING STRAP	1
1	270-53-24-000	25 FT DISCHARGE PIPE ASSY	1	2	244-08-00-000	PUMP ELBOW w/ RING ASSY	1
1	270-42-00-000	20 FT DISCHARGE PIPE ASSY	1	2.1	242-28-00-000	PUMP ELBOW ASSY	1
1.1	244-96-01-506	30 FT DISCHARGE PIPE	1	2.1.1	242-28-00-139	PUMP ELBOW MIDDLE SECTION	1
1.1	270-53-24-155	25 FT DISCHARGE PIPE	1	2.1.2	242-28-00-140	PUMP ELBOW UPPER SECTION	2
1.1	270-42-00-130	20 FT DISCHARGE PIPE	1	2.2	244-08-00-307	CLAMP RING	1
1.2	242-30-00-146	DISCHARGE ELBOW CENTER PC	1	3	R02484	8" SUCTION HOSE CLAMP	2
1.3	242-30-00-147	DISCHARGE ELBOW END PC	1	4	242-00-00-141	FLEXIBLE HOSE SECTION	1
1.4	242-30-00-148	DISCHARGE PIPE HOOK	1	5	R07601	1/4 x 1 HEX BOLT	4
1.5	R09690	"TIE DOWN" DECAL	1	6	R07781	1/4 HEX NUT	4
1.6	R09502	"HUSKY" DECAL	1	7	R07821	1/4 FLAT WASHER	4

8" CLAMP & CHAIN ASSY
244-09-00-000



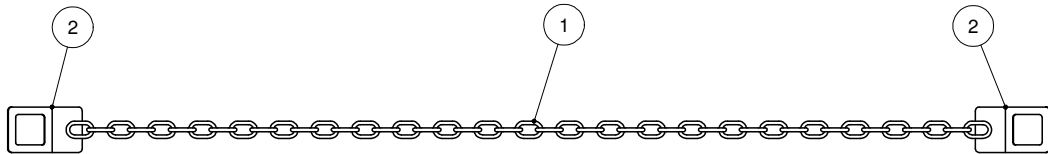
PARTS LIST			
ITEM	PART NUMBER	DESCRIPTION	QTY
1	R02488	8" RINGLOCK CLAMP	1
2	250-97-00-297	CLAMP CHAIN	1

DISCHARGE PIPE KIT



BIPOD LEGS ASSY
2 REQ'D
242-33-00-000

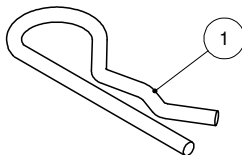
PARTS LIST			
ITEM	PART NUMBER	DESCRIPTION	QTY
1	242-33-00-155	BIPOD LEG	1
2	242-33-00-156	BIPOD LEG HOOK	1



BIPOD LEG CHAIN ASSY
242-79-00-000

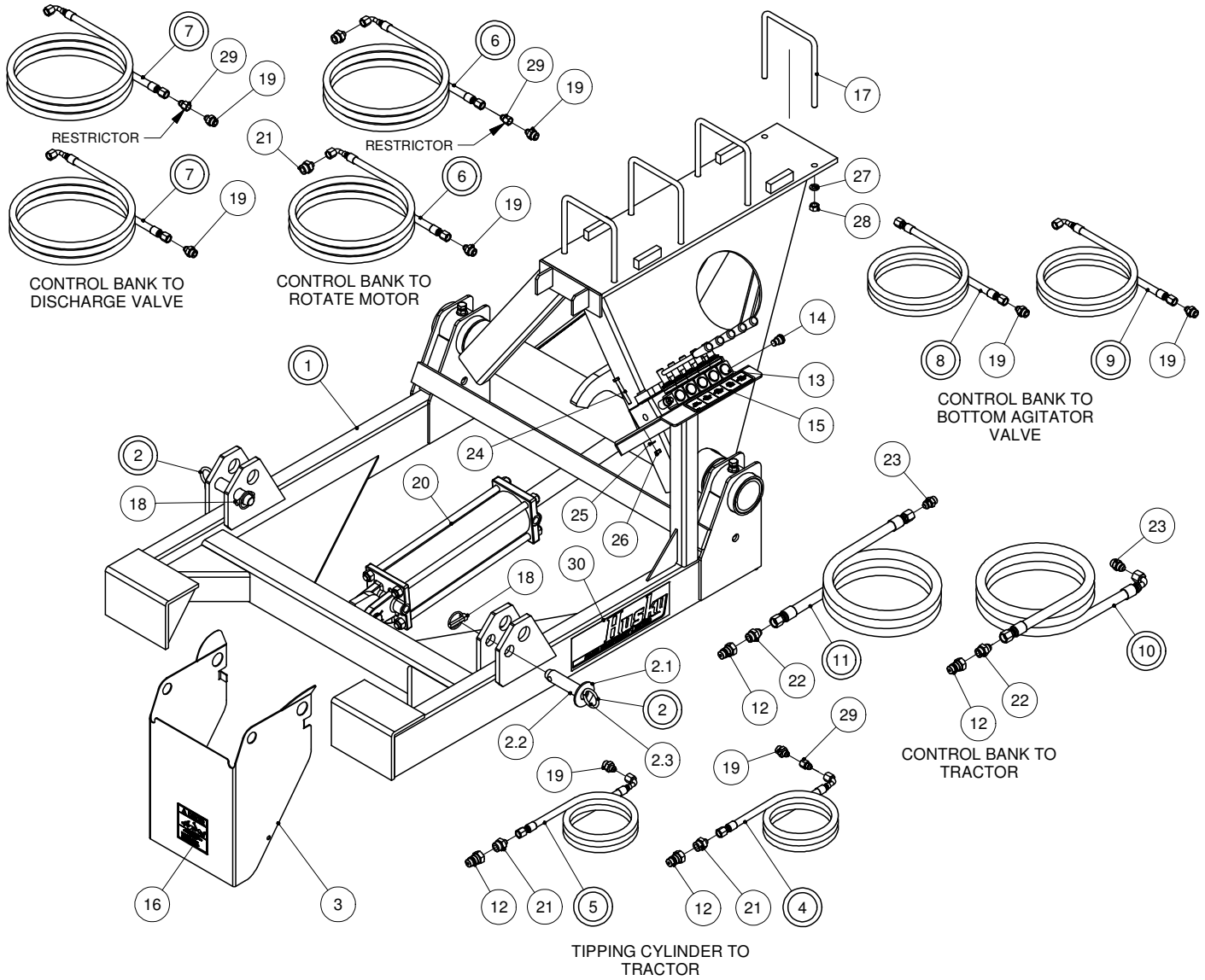
PARTS LIST			
ITEM	PART NUMBER	DESCRIPTION	QTY
1	242-79-00-199	BIPOD LEG CHAIN	1
2	242-79-00-198	BIPOD LEG CLIP	2

HAIR PIN
R07948



PARTS LIST			
ITEM	PART NUMBER	DESCRIPTION	QTY
1	R07948	5/32 HAIR PIN	1

2 PT HITCH KIT



2 POINT HITCH KIT - 8 FT
242-60-00-000

2 POINT HITCH KIT - 10 FT
244-64-00-000

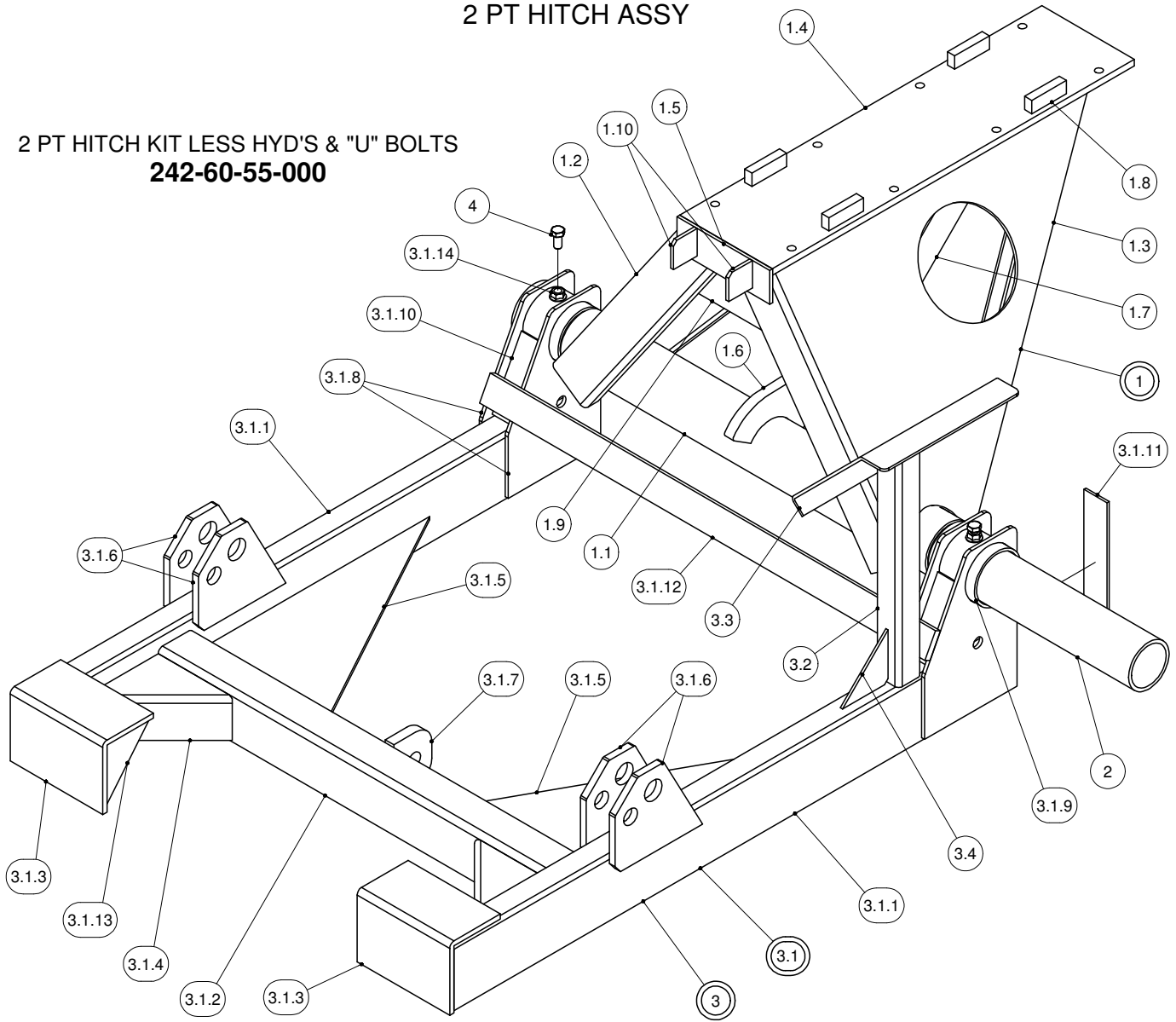
2 POINT HITCH KIT - 12 FT
246-86-00-000

2 PT HITCH KIT

PARTS LIST			
ITEM	PART NUMBER	DESCRIPTION	QTY
1	242-60-55-000	2PT HITCH LESS HYD'S AND "U" BOLTS	1
2	250-87-56-000	DRAW PIN ASSY	2
2.1	R07828	1" FLAT WASHER	1
2.2	250-87-56-264	DRAW PIN	1
2.3	250-00-00-354	1/4 X 1 1/2" RING	1
3	246-13-00-703	PTO GUARD 2PT - BONDIOLI	1
4	250-87-52-000	HYD HOSE ASSY-TRACTOR TO CYLINDER	1
5	250-87-51-000	HYD HOSE ASSY-TRACTOR TO CYLINDER	1
6	242-60-01-000	HYD HOSE ASSY-CONTROL TO ROTATE	2
7	242-60-02-000	HYD HOSE ASSY-CONTROL TO SHUTOFF VALVE	2
8	244-77-00-000	HYD HOSE ASSY-CONTROL TO LOWER AGIT-8FT	1
	242-46-00-000	HYD HOSE ASSY-CONTROL TO LOWER AGIT-10FT	1
	244-79-00-000	HYD HOSE ASSY-CONTROL TO LOWER AGIT-12FT	1
9	242-46-00-000	HYD HOSE ASSY-CONTROL TO LOWER AGIT-8FT	1
	244-47-00-000	HYD HOSE ASSY-CONTROL TO LOWER AGIT-10FT	1
	246-56-00-000	HYD HOSE ASSY-CONTROL TO LOWER AGIT-12FT	1
10	242-60-03-000	1/2" HYDRAULIC HOSE ASSY	1
11	242-60-04-000	1/2" HYDRAULIC HOSE ASSY	1
12	R23182	MALE PIONEER TIP-ORB-10	4
13	R22250	5 BANK MONOBLOCK VALVE	1
14	R22252	CLOSED CENTRE PLUG M18x1.5	1
15	R09653	CONTROL VALVE STICKER-H5	1
16	R21521	"ROTATING DRIVE LINE" DECAL	1
17	R08173	"U" BOLT 1/2-13 UNC 6" ID X 7 1/4" LONG	4
18	R08040	2 - 18 LYNCH PIN	2
19	R23091	ORB-8 X 3/8" JIC M ADAPTOR	8
20	R23311	40TD14-175 HYD CYL-ORB	1
21	R23094	ORB-10 x 3/8" JIC M ADAPTOR	4
22	R23095	ORB-10 x 1/2" JIC M ADAPTOR	2
23	R23092	ORB-8 x 1/2" JIC M. ADAPTOR	2
24	R07614	5/16 x 2 1/2 UNC HEX BOLT	3
25	R07802	5/16" LOCK WASHER	3
26	R07782	5/16-18 UNC HEX NUT	3
27	R07805	1/2" LOCK WASHER	8
28	R07785	1/2-13 UNC HEX NUT	8
29	R23193	3/8" JIC M. x 3/8" JIC F. RESTRICTOR	3
30	R09691	HUSKY DECAL 3.75" x 13"	2

2 PT HITCH ASSY

**2 PT HITCH KIT LESS HYD'S & "U" BOLTS
242-60-55-000**

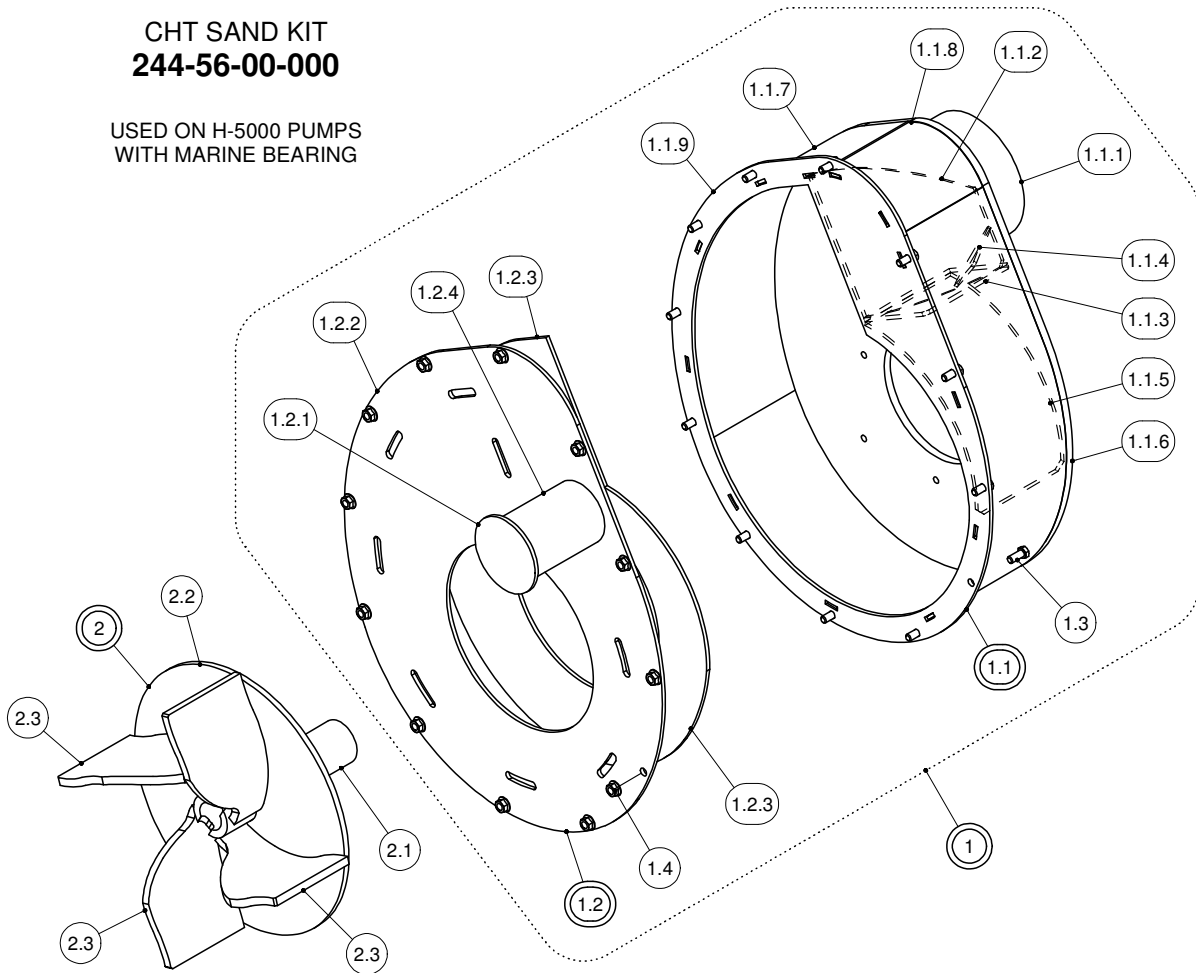


PARTS LIST				PARTS LIST			
ITEM	PART NUMBER	DESCRIPTION	QTY	ITEM	PART NUMBER	DESCRIPTION	QTY
1	242-60-35-000	TILT FRAME ASSY	1	3.1.3	250-87-44-217	END CAP	2
1.1	250-87-45-230	SUPPORT ARM SLEEVE	1	3.1.4	250-87-44-218	ANGLE GUSSET	2
1.2	242-60-35-248	RH SUPPORT ARM-2PT HITCH	1	3.1.5	250-87-44-219	CROSS BRACE GUSSET	2
1.3	242-60-35-247	LH SUPPORT ARM-2PT HITCH	1	3.1.6	250-87-44-220	LIFT BRACKETS	4
1.4	242-60-35-252	TOP SUPPORT PLATE	1	3.1.7	250-87-44-221	CYLINDER LUG	1
1.5	242-60-35-251	GUSSET	1	3.1.8	250-87-44-222	TILT FRAME BRACKET	4
1.6	250-87-45-231	CYLINDER AXLE BRACKET	1	3.1.9	250-87-44-223	FRONT FRAME BRACKET SLEEVE	2
1.7	242-60-35-249	REINFORCING BAR	2	3.1.10	250-87-44-224	FRONT FILLER PLATE	2
1.8	242-60-35-302	STABILIZER BAR	4	3.1.11	250-87-44-225	REAR FILLER PLATE	2
1.9	242-60-35-250	TILT FRAME GUSSET	1	3.1.12	250-87-44-226	CROSS STRAP	1
1.10	242-60-35-529	STOP BLOCK	2	3.1.13	250-87-44-335	GUSSET	2
2	250-87-00-227	INNER AXLE TUBE	1	3.1.14	R07795	1/2-13 UNC FLANGE NUT	2
3	242-60-41-000	2PT HITCH MAIN FRAME ASSY	1	3.2	242-60-41-266	CONTROL VALVE STAND TUBE	1
3.1	250-87-44-000	2PT FRAME ASSY-LESS VALVE STAND	1	3.3	242-18-15-104	CONTROL VALVE PLATE	1
3.1.1	250-87-44-215	LIFT ARM	2	3.4	242-60-41-267	GUSSET	1
3.1.2	250-87-44-216	CROSS BRACE	1	4	R07637	1/2 x 1 UNC HEX BOLT	2

CHT SAND KIT

CHT SAND KIT 244-56-00-000

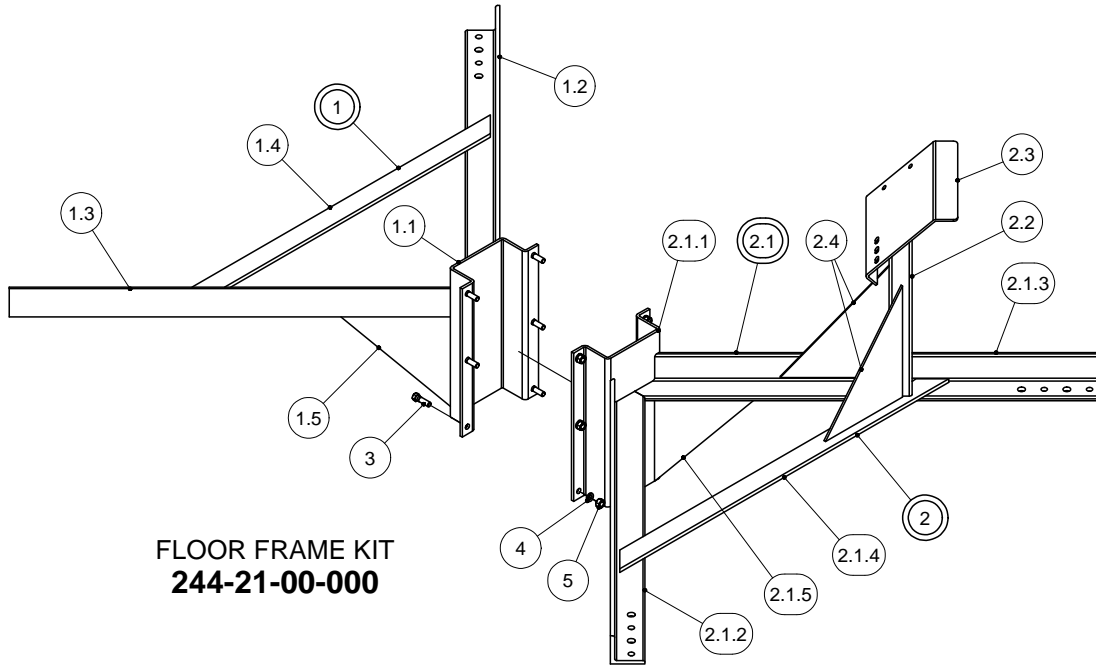
USED ON H-5000 PUMPS
WITH MARINE BEARING



OPTIONAL CHT IMPELLER WITH CERAMIC COATED SLEEVE 246-27-00-000

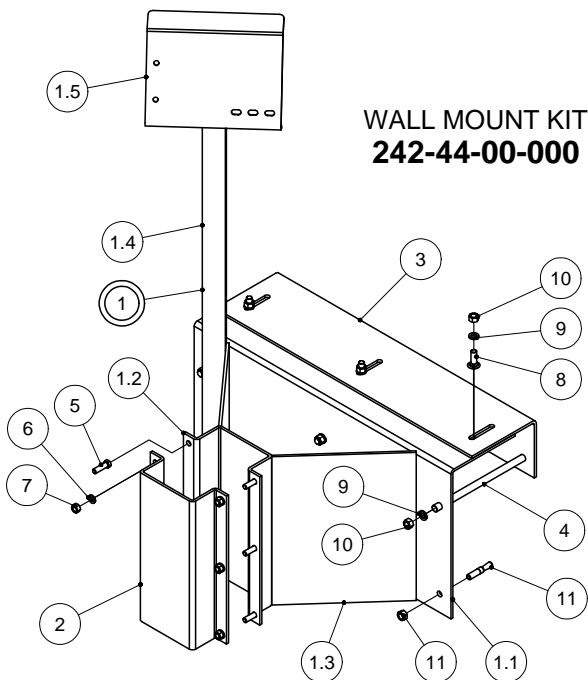
PARTS LIST				PARTS LIST			
ITEM	PART NUMBER	DESCRIPTION	QTY	ITEM	PART NUMBER	DESCRIPTION	QTY
1	508-03-00-000	OMEGA 8 - FAN HOUSING KIT	1	1.2.1	250-04-03-012	FOOT END	1
1.1	508-03-01-000	OMEGA 8 - FAN HOUSING ASSY	1	1.2.2	508-03-02-013	OMEGA 8 COVER PLATE	1
1.1.1	244-39-00-375	DISCHARGE TUBE	1	1.2.3	508-03-02-014	OMEGA 8 BACKER PLATE	1
1.1.2	244-57-00-405	CHT BOOT END PLATE	1	1.2.4	508-03-02-024	OMEGA FOOT TUBE	1
1.1.3	244-57-00-406	CHT SIDE PLATE	1	1.3	R07628	7/16 x 1 UNC HEX BOLT	12
1.1.4	244-57-00-407	CHT GUSSET	1	1.4	R07879	7/16-14 UNC FLANGE NUT	12
1.1.5	244-39-00-385	INNER HOUSING BAND	1	2	244-34-00-000	CHT IMPELLER ASSY	1
1.1.6	508-03-01-010	OMEGA 8 HOUSING BACK PLATE	1		246-27-00-000	CHT IMPELLER w/ CERAMIC ASSY	1
1.1.7	244-57-00-404	CHT HOUSING BAND	1	2.1	244-18-00-331	IMPELLER SLEEVE	1
1.1.8	244-57-00-408	CHT HOUSING BAND CAP	1		246-27-01-000	CERAMIC IMPELLER SLEEVE	1
1.1.9	508-03-01-011	OMEGA 8 HOUSING BOLT FLANGE	1	2.2	244-34-00-358	CHT IMPELLER BACK PLATE	1
1.2	508-03-02-000	OMEGA 8 - COVER PLATE ASSY	1	2.3	244-34-00-359	CHT IMPELLER BLADE	4

H-5 FLOOR & WALL MOUNT FRAME



**FLOOR FRAME KIT
244-21-00-000**

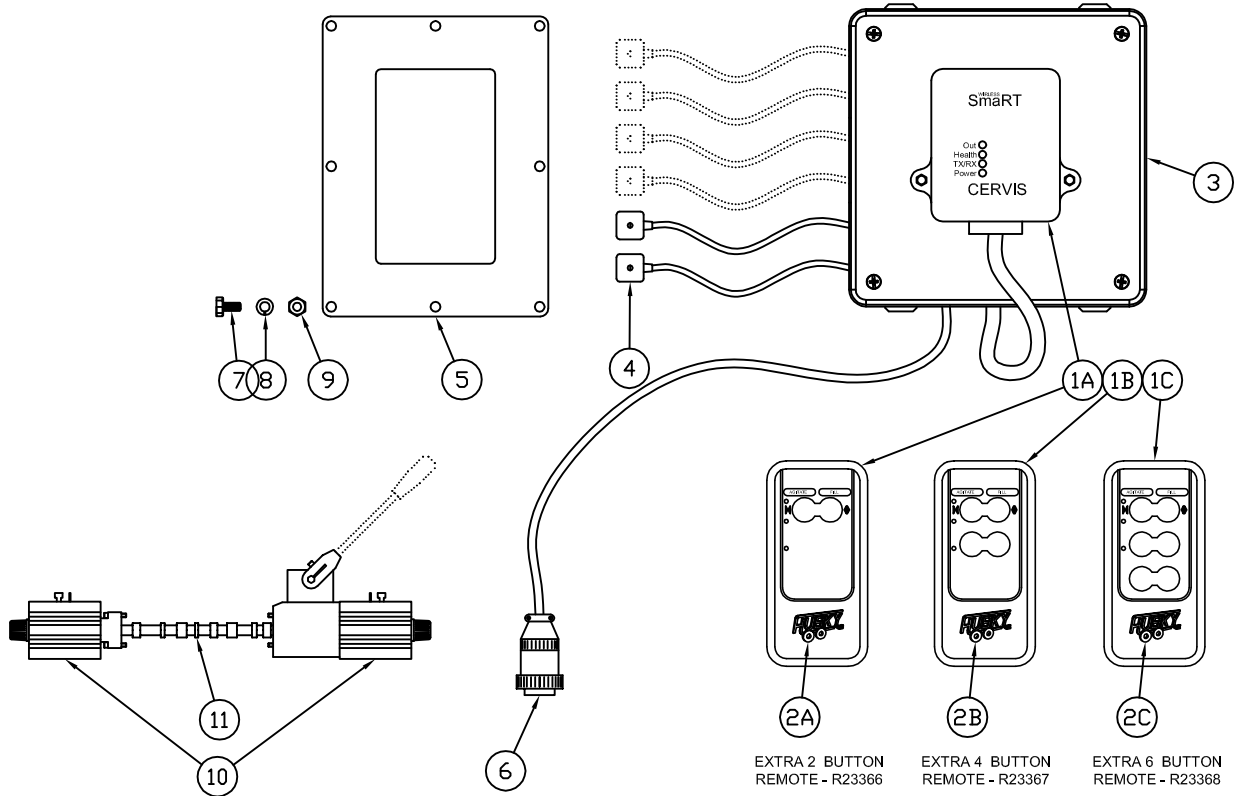
PARTS LIST				PARTS LIST			
ITEM	PART NUMBER	DESCRIPTION	QTY	ITEM	PART NUMBER	DESCRIPTION	QTY
1	244-21-01-000	FLOOR FRAME ASSY	1	2.1.3	244-21-01-418	LH FLOOR FRAME ANGLE	1
1.1	244-21-01-419	SHAFT TUBE CLAMP BRKT	1	2.1.4	250-91-55-262	FLOOR BRACKET BRACE	1
1.2	244-21-01-417	RH FLOOR FRAME ANGLE	1	2.1.5	244-21-01-420	GUSSET	2
1.3	244-21-01-418	LH FLOOR FRAME ANGLE	1	2.2	242-18-15-103	CONTROL VALVE STAND TUBE	1
1.4	250-91-55-262	FLOOR BRACKET BRACE	1	2.3	242-18-15-104	CONTROL VALVE PLATE	1
1.5	244-21-01-420	GUSSET	2	2.4	242-18-15-106	STANDTUBE GUSSET	2
2	244-21-02-000	FLOOR FRAME W/ STAND ASSY	1	3	R07629	7/16 x 1 1/2 HEX BOLT	6
2.1	244-21-01-000	FLOOR FRAME ASSY	1	4	R07804	7/16 LOCK WASHER	6
2.1.1	244-21-01-419	SHAFT TUBE CLAMP BRKT	1	5	R07784	7/16 HEX NUT	6
2.1.2	244-21-01-417	RH FLOOR FRAME ANGLE	1				



**WALL MOUNT KIT
242-44-00-000**

PARTS LIST			
ITEM	PART NUMBER	DESCRIPTION	QTY
1	242-44-01-000	WALL BRKT ASSY	1
1.1	242-44-01-379	INNER WALL PLATE	1
1.2	244-21-01-419	SHAFT TUBE CLAMP BRKT	1
1.3	242-44-01-380	SPACER PLATE	2
1.4	242-44-01-457	CONTROL VALVE TUBE	1
1.5	242-18-15-104	CONTROL VALVE PLATE	1
2	244-21-01-419	SHAFT TUBE CLAMP BRKT	1
3	242-44-00-381	OUTER WALL BRACKET	1
4	242-44-00-456	5/8" REDDI THREAD	3
5	R07629	7/16 x 1 1/2 UNC HEX BOLT	6
6	R07804	7/16" LOCK WASHER	6
7	R07784	7/16-14 UNC HEX NUT	6
8	R07777	1/2 x 1 1/2 UNC CARRIAGE BOLT	3
9	R07805	1/2" LOCK WASHER	9
10	R07785	1/2-13 UNC HEX NUT	9
11	R07844	1/2 X 2 3/4" ANCHOR STUD	3

REMOTE CONTROL KIT



246-21-00-000

1 Remote Function Kit
1 set, Dinn Cables
1 Elec-Solenoid included in this kit
Comes w/ 1 - Two Button Remote

246-22-00-000

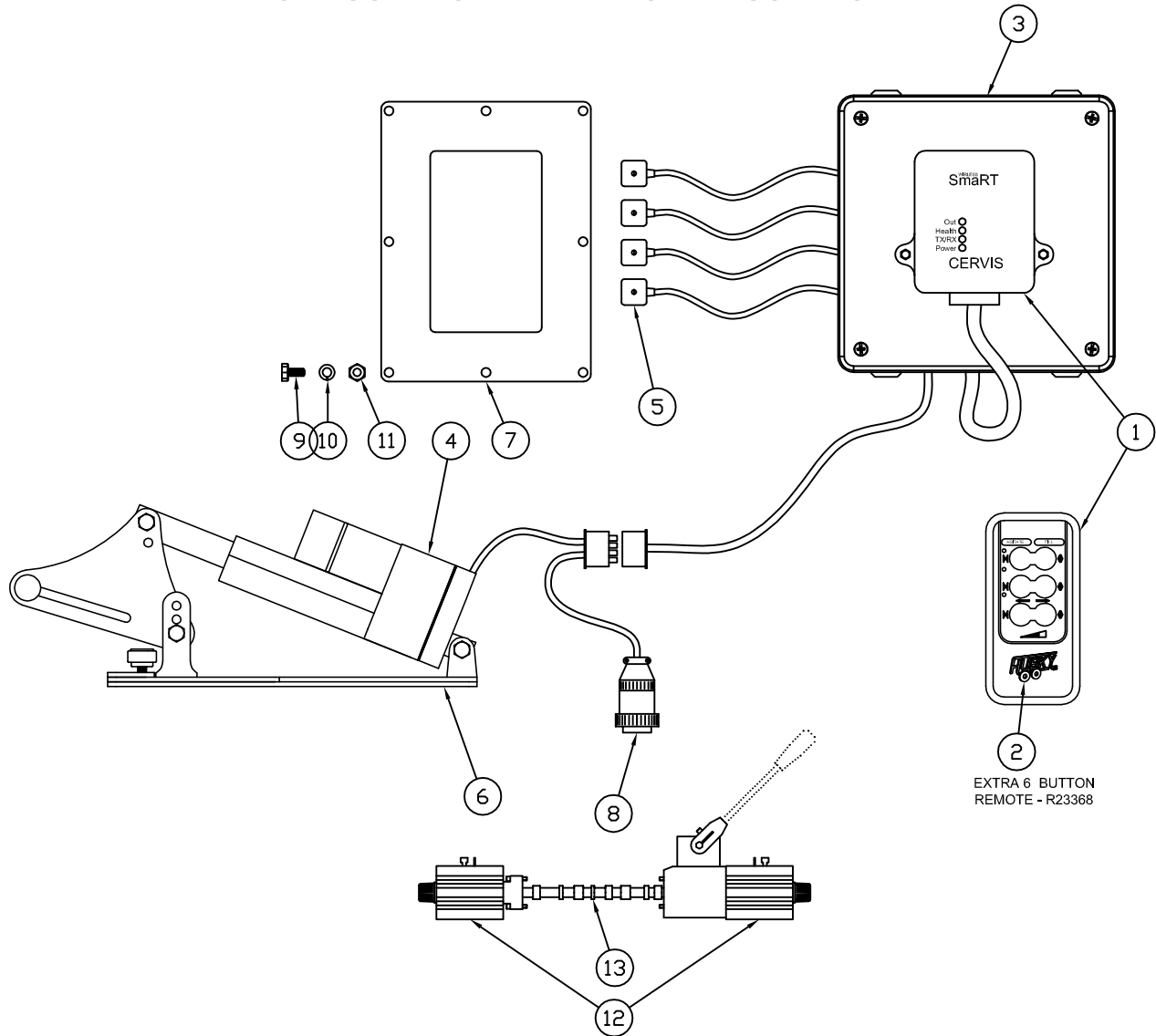
1 Remote Function Kit
2 sets, Dinn Cables
2 Elec-Solenoids included in this kit
Comes w/ 1 - Four Button Remote

246-23-00-000

1 Remote Function Kit
3 sets, Dinn Cables
3 Elec-Solenoids included in this kit
Comes w/ 1 - Six Button Remote

PARTS LIST			
ITEM	PART#	DESCRIPTION	QTY
1A	R23361	2 BUTTON REMOTE KIT (1 FUNCTION)	1
1B	R23362	4 BUTTON REMOTE KIT (2 FUNCTIONS)	1
1C	R23363	6 BUTTON REMOTE KIT (3 FUNCTIONS)	1
2A	R23371	2 BUTTON REMOTE LABEL	1
2B	R23372	4 BUTTON REMOTE LABEL	1
2C	R23373	6 BUTTON REMOTE LABEL	1
3	R23375	2 BUTTON CONTROL BOX	1
	R23376	4 BUTTON CONTROL BOX	1
	R23377	6 BUTTON CONTROL BOX	1
4	R23359	MOULDED DINN CONNECTOR - 2 BUTTON KIT	2
	R23359	MOULDED DINN CONNECTOR - 4 BUTTON KIT	4
	R23359	MOULDED DINN CONNECTOR - 6 BUTTON KIT	6
5	246-21-00-678	PJ664 BOX BACK PLATE	1
6	R10581	3 PRONG TRACTOR POWER PLUG	1
7	R07677	1/4"-UNC x 3/4" HEX BOLT	4
8	R07801	1/4" LOCK WASHER	4
9	R07781	1/4" HEX NUT	4
10	R23356	WALVOIL SD5 SOLENOID 12VDC - 2 BUTTON KIT	1
	R23356	WALVOIL SD5 SOLENOID 12VDC - 4 BUTTON KIT	2
	R23356	WALVOIL SD5 SOLENOID 12VDC - 6 BUTTON KIT	3
11	R23357	WALVOIL SD5 SOLENOID SPOOL - 2 BUTTON KIT	1
	R23357	WALVOIL SD5 SOLENOID SPOOL - 4 BUTTON KIT	2
	R23357	WALVOIL SD5 SOLENOID SPOOL - 6 BUTTON KIT	3

REMOTE CONTROL WITH THROTTLE CONTROL KIT



246-26-00-000

3 Remote Functions Kit with Throttle Control for Tractor & 2 sets, Dinn Cables for extra functions No Elec-Solenoids included in this kit Comes w/ 1 - Six Button Remote

246-25-00-000

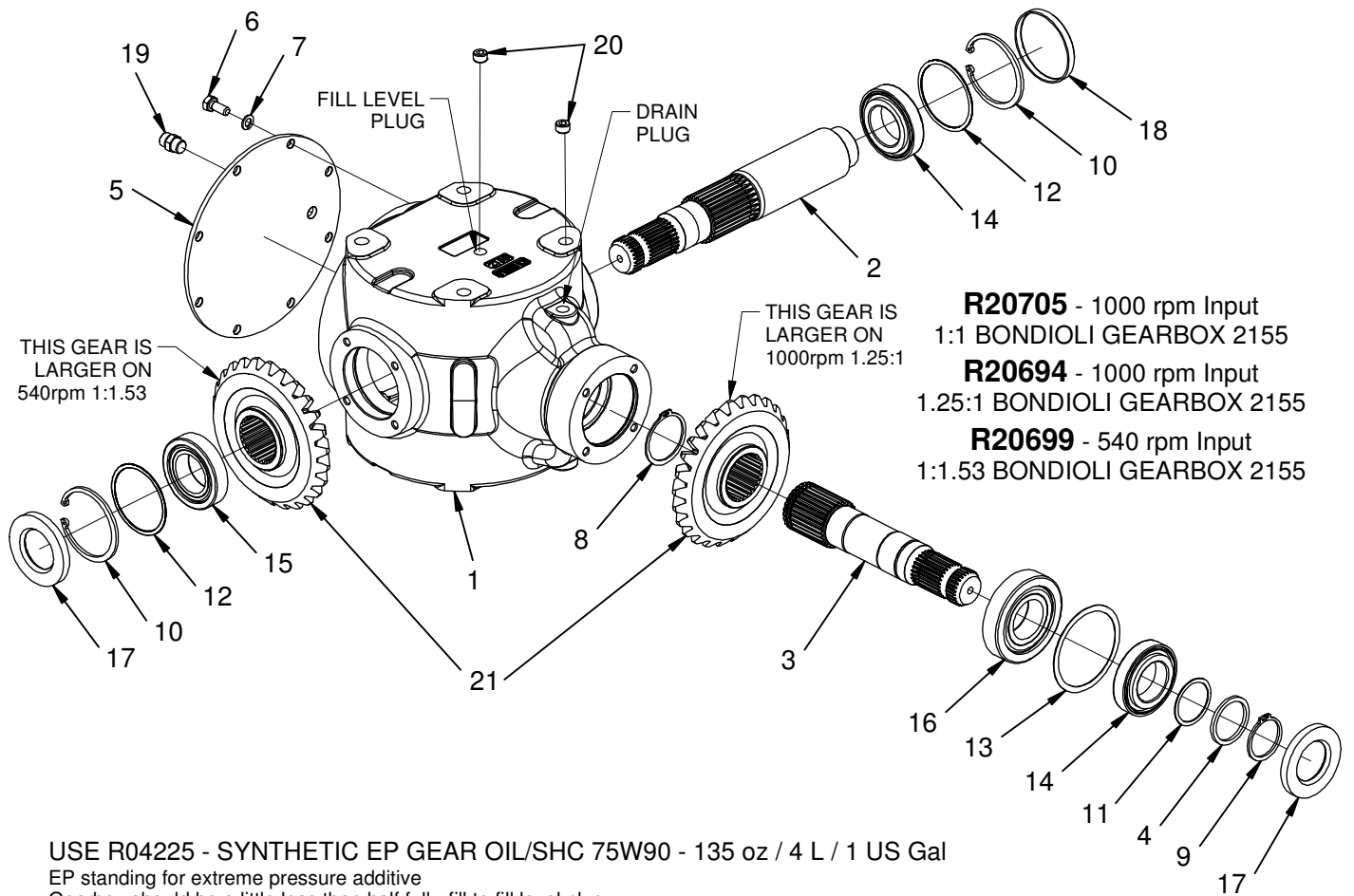
3 Remote Functions Kit with Throttle Control for Tractor & 2 sets, Dinn Cables for extra functions 1 Elec-Solenoids included in this kit Comes w/ 1 - Six Button Remote

246-24-00-000

3 Remote Functions Kit with Throttle Control for Tractor & 2 sets, Dinn Cables for extra functions 2 Elec-Solenoids included in this kit Comes w/ 1 - Six Button Remote

PARTS LIST			
ITEM	PART#	DESCRIPTION	QTY
1	R23363	6 BUTTON REMOTE KIT	1
2	R23373	6 BUTTON REMOTE LABEL	1
3	R23378	6 BUTTON ACTUATOR CONTROL BOX	1
4	R23360	12VDC LINEAR ACTUATOR	1
5	R23359	MOULDED DINN CONNECTOR	4
6	246-24-01-000	PEDDLE CONTROL KIT w/ BASE MOUNT	1
7	246-24-00-679	PJ1086 BOX BACK PLATE	1
8	R10581	3 PRONG TRACTOR POWER PLUG	1
9	R07677	1/4"-UNC x 3/4" HEX BOLT	4
10	R07801	1/4" LOCK WASHER	4
11	R07781	1/4" HEX NUT	4
12	R23356	WALVOIL SD5 SOLENOID 12VDC - 246-26-00-000 KIT	0
	R23356	WALVOIL SD5 SOLENOID 12VDC - 246-25-00-000 KIT	1
	R23356	WALVOIL SD5 SOLENOID 12VDC - 246-24-00-000 KIT	2
13	R23357	WALVOIL SD5 SOLENOID SPOOL - 246-26-00-000 KIT	0
	R23357	WALVOIL SD5 SOLENOID SPOOL - 246-25-00-000 KIT	1
	R23357	WALVOIL SD5 SOLENOID SPOOL - 246-24-00-000 KIT	2

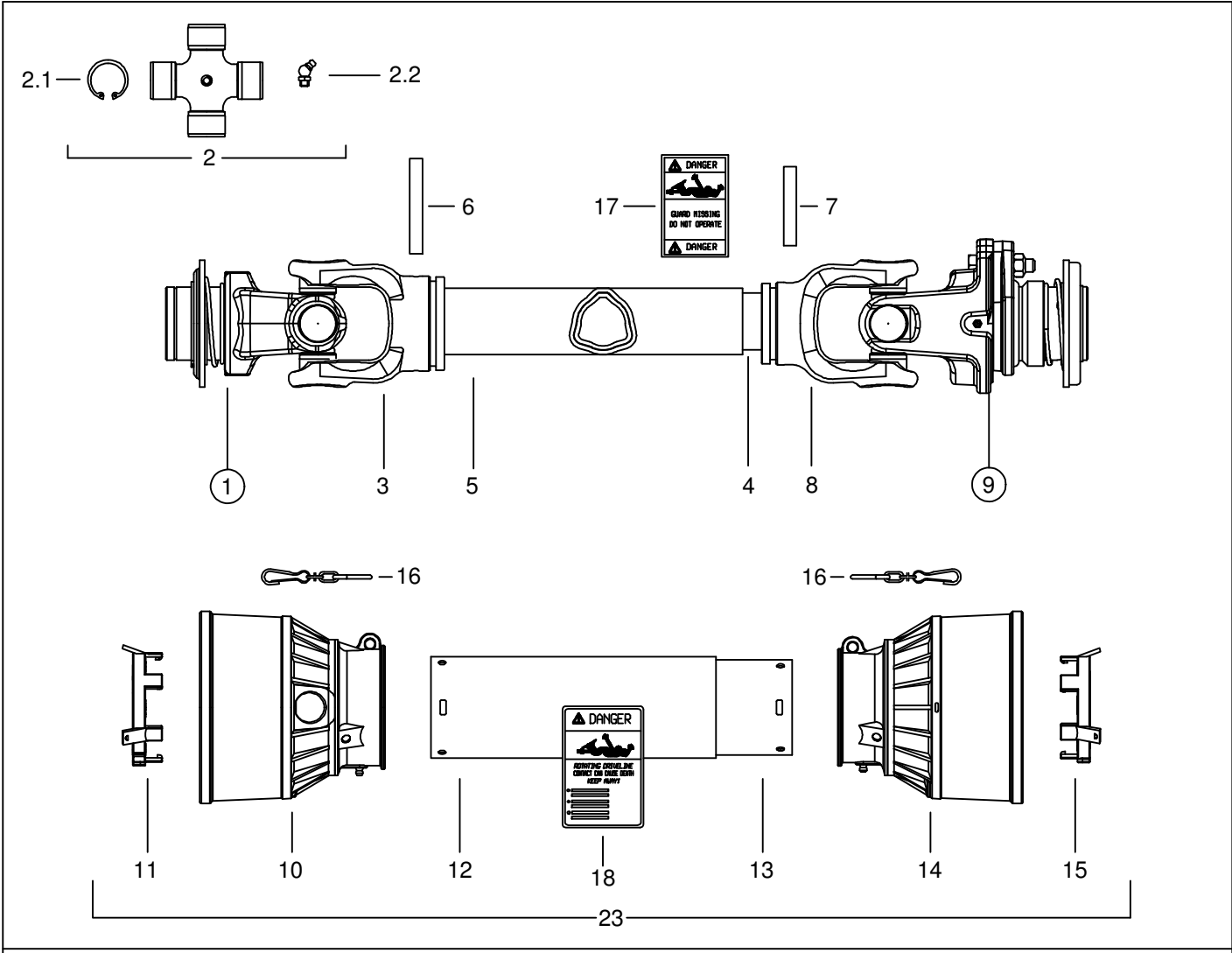
H5, H6, H10, BONDIOLI GEARBOX 2155



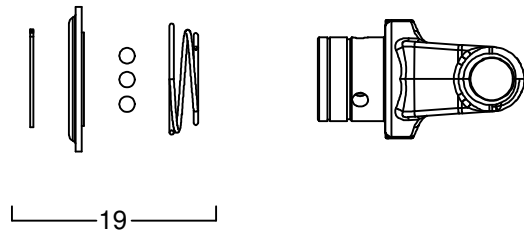
R20705 - 1000 rpm Input
1:1 BONDIOLI GEARBOX 2155
R20694 - 1000 rpm Input
1.25:1 BONDIOLI GEARBOX 2155
R20699 - 540 rpm Input
1:1.53 BONDIOLI GEARBOX 2155

USE R04225 - SYNTHETIC EP GEAR OIL/SHC 75W90 - 135 oz / 4 L / 1 US Gal
EP standing for extreme pressure additive
Gearbox should be a little less than half full - fill to fill level plug
Change oil after initial 100 hours of operation and then every 1000 hours thereafter or yearly; whichever comes first.

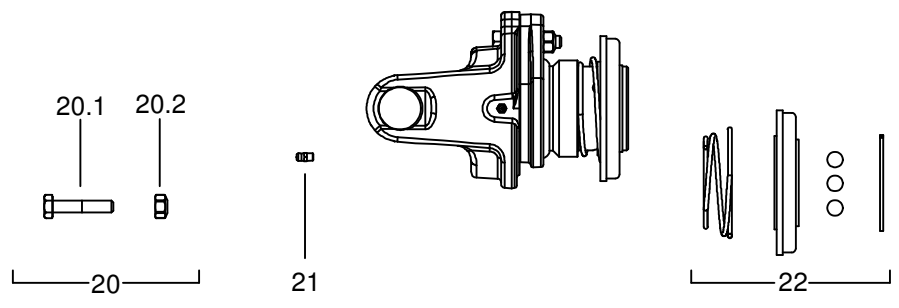
PARTS LIST					
ITEM	PART NUMBER	MFG NUMBER	DESCRIPTION	QTY	
1	N/A	290291344R	HOUSING 2155 BONDI.	1	
2	R23420	295394007R	INPUT SHAFT - 2155 BONDI.	1	
3	R23421	295394008R	OUTPUT SHAFT - 2155 BONDI.	1	
4	R23422	298405025R	SPACER 50.2 x 60.3 x 4	1	
5	N/A	298625407R	COVER 2155	1	
6	R22634	319012200R	M10 x 25-1.5 METRIC HEX BOLT	8	
7	R22635	335010001R	M10 METRIC LOCKWASHER	8	
8	R23423	337000060R	SNAP RING 60 x 2	1	
9	R23424	339000050R	SNAP RING 50 x 3	1	
10	R23425	339000090R	SNAP RING 90 x 4	2	
11	R23426	340R05000R	SHIM KIT ID 50mm	1	
12	R23427	340I09000R	SHIM KIT 80.2 x 89.8	2	
13	R23428	340I11000R	SHIM KIT OD 110mm	1	
14	R23429	30210	T. ROLLER BRG 50 x 90 x 21.75	2	
15	R23430	32210	T. ROLLER BRG 50 x 90 x 24.75	1	
16	R23431	30310	T. ROLLER BRG 50 x 110 x 29.25	1	
17	R23432	509010-DL	OIL SEAL 50 x 90 x 10	2	
18	R23433	372007000R	OIL SEAL CAP 90 x 10	1	
19	R22645	373007000R	OIL BREATHER	1	
20	R22646	373010000R	OIL PLUG	2	
21	R23434	448101704R	1:1 BEVEL GEAR SET 2155	1	
	R23435	448125700R	1.25:1 BEVEL GEAR SET 2155	1	
	R23436	448153708R	1:1.53 BEVEL GEAR SET 2155	1	



①



⑨



PTO - H5-H10-PL490

R21606 - 1 3/8" 6 TOOTH - 540 RPM (STANDARD)

R21607 - 1 3/8" 21 TOOTH - 1000 RPM

R21649 - 1 3/4" 20 TOOTH - 1000 RPM

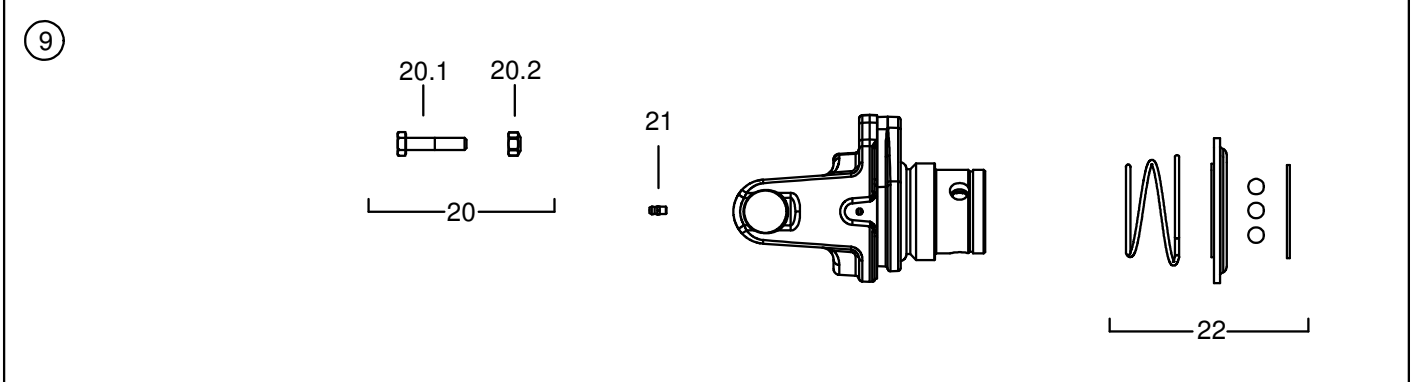
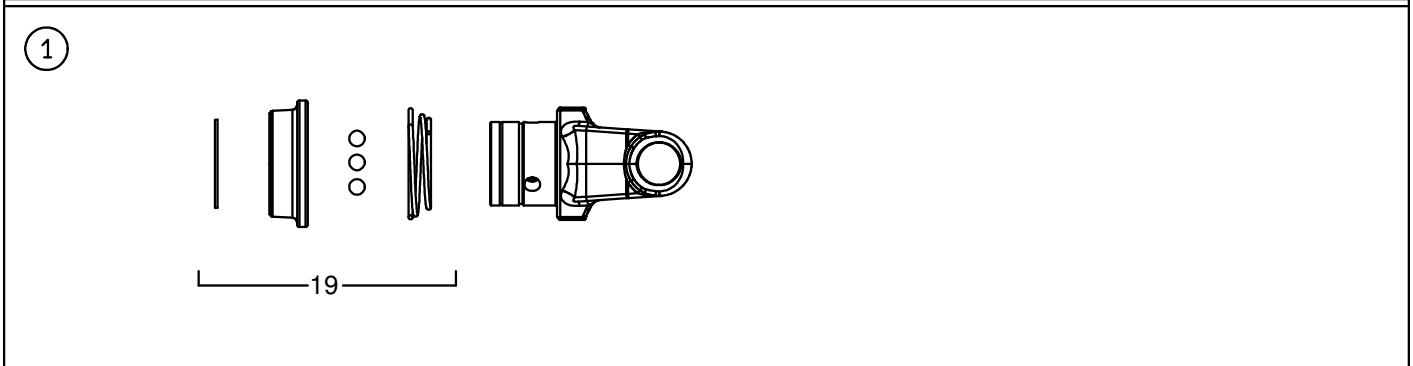
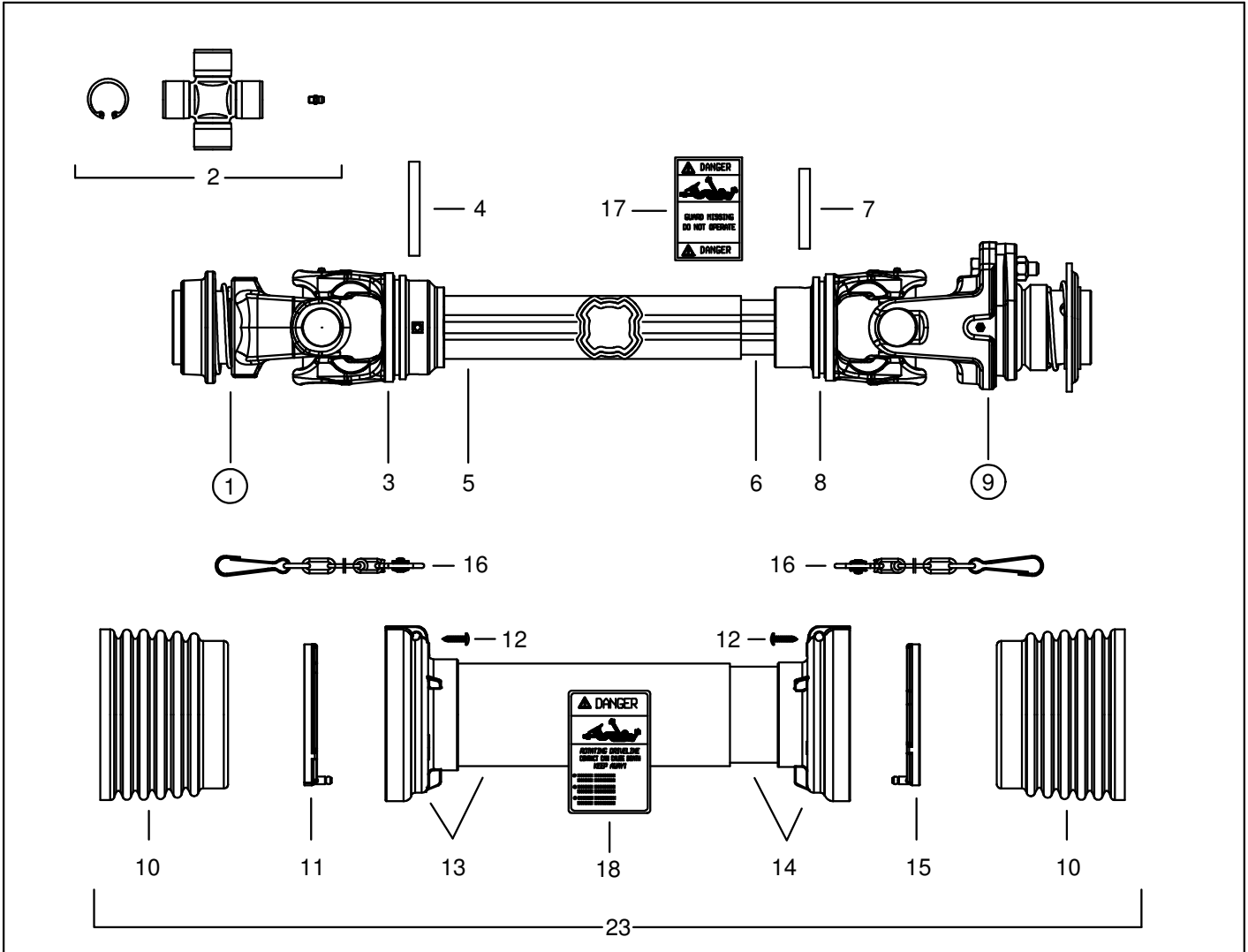
PARTS LIST				
ITEM	MFG NUMBER	PART NUMBER	DESCRIPTION	QTY
1	5720M0355	R22330	1 3/8" - 6 TOOTH QD YOKE w/ SLEEVES 540 rpm	1
	5720M3755	R22332	1 3/8" - 21 TOOTH QD YOKE w/ SLEEVES 1000 rpm	1
	5720M3855	R22333	1 3/4" - 20 TOOTH QD YOKE w/ SLEEVES 1000 rpm	1
2	4120M0011R20	R21614	CROSS KIT - S9 34.9x106	2
2.1	338023000	R21621	CIRCLIP	8
2.2	348004000	R21655	GREASE NIPPLE - 45°	2
3	204086860	R21620	YOKE - #8 OUTER TUBE	1
4	225730805	R21615	CARDAN DRIVE TUBE - INNER	1
5	225690805	R21616	CARDAN DRIVE TUBE - OUTER	1
6	341054000R10	R21613	FLEXIBLE PIN - OUTER 12x90mm	1
7	341055000R10	R21612	FLEXIBLE PIN - INNER 12x75mm	1
8	204086861	R21619	YOKE - #8 INNER TUBE	1
9	6060M3903R	R22331	1 3/4" - 27 TOOTH TORQUE LIMITER w/ SLIDE COLLAR	1
10	517080130	R21610	OUTER SHIELD CONE #8-9	1
11	255080005R02	R21609	OUTER SHIELD SUPPORT #8-9-10	1
12	236850732	R21618	CM SAFETY TUBE - OUTER	1
13	236840732	R21617	CM SAFETY TUBE - INNER	1
14	517080120	R21611	INNER SHIELD CONE #8-9	1
15	255080006R02	R21608	INNER SHIELD SUPPORT #8-9-10	1
16	252000050R02	R21738	SHIELD TIE CHAIN	2
17	399143000	R21523	"SHIELD MISSING" DECAL	1
18	399141000	R21521	"ROTATING DRIVE LINE" DECAL	1
19	435000322R	R22728	BALL COLLAR KIT - 1 3/8" S8/S9-RT	1
20	-	244-41-00-000	5-PACK SHEAR BOLT KIT	
20.1	-	R21602	M12-1.75x65 METRIC HEX BOLT - CL 8.8 (NOT FOR INDIVIDUAL SALE)	1
20.2	-	R21604	M12-1.75 METRIC NYLOCK NUT (NOT FOR INDIVIDUAL SALE)	1
21	348017000R20	R21687	GREASE NIPPLE - M6x1 STRAIGHT	1
22	435000418R	R22723	RT BALL COLLAR KIT - 1 3/4" S5/S9	1
23	5F08099FFUC	R21629	SAFETY GUARD COMPLETE	1

Attention:

When ordering PTO driveline parts, please note if your machine was equipped with a 3 lobe or 4 lobe drivetube. Most components are not interchangeable between versions.

Ensure proper version **before** ordering parts.

PTO - H5-H10-PL490 - 4 LOBE



PTO - H5-H10-PL490 - 4 LOBE

R21606 - 1 3/8" 6 TOOTH - 540 RPM (STANDARD)

R21607 - 1 3/8" 21 TOOTH - 1000 RPM

R21649 - 1 3/4" 20 TOOTH - 1000 RPM

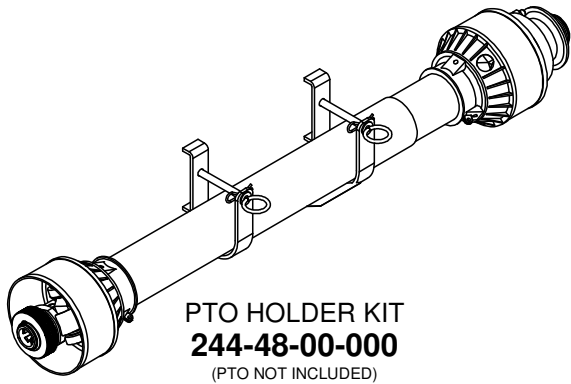
PARTS LIST				
ITEM	MFG NUMBER	PART NUMBER	DESCRIPTION	QTY
1	5720L0356	R23396	1 3/8 - 6 T QD YOKE & COLLAR 540 rpm	1
	5720L3757	R23397	1 3/8 - 21 T QD YOKE & COLLAR 1000 rpm	1
	5720L3859	R23398	1 3/4 - 20 T QD YOKE & COLLAR 1000 rpm	1
2	4120L0012R24	R23399	#8 CROSS KIT - 34.9x93.5	2
3	2040L6869	R23400	#8 OUTER 4 LOBE TUBE YOKE	1
4	341046000R10	R23401	FLEXIBLE ROLL PIN 10x85mm	1
5	2253Z0835	R23402	#8 OUTER DRIVE TUBE L-835	1
6	2253V0855	R23403	#8 INNER DRIVE TUBE L-855	1
7	341042000R10	R23404	FLEXIBLE ROLL PIN 10x75mm	1
8	2040L6865	R23405	#8 INNER 4 LOBE TUBE YOKE	1
9	6060L3901R	R23406	1 3/4"-27T QD SHEAR YOKE & COLLAR	1
10	2190L0201	R23408	#8 CONE BELL 160x120x100	2
11	2550G0001R02	R23409	#8 SHIELD SUPPORT - OUTER	1
12	310001431R30	R23394	SCREW - SELF TAP 4.8x22mm	6
13	5TNN1H8101U	R23410	#8 TUBE & CONE SHIELD - OUTER	1
14	5MNN1H8101U	R23411	#8 TUBE & CONE SHIELD - INNER	1
15	2550G0002R02	R23412	#8 SHIELD SUPPORT - INNER	1
16	252000101R02	R21738	SHIELD TIE CHAIN	2
17	399143000	R21523	"SHIELD MISSING" DECAL	1
18	399141000	R21521	ROTATING DRIVELINE DECAL	1
19	435000332R	R23413	1 3/8" BALL COLLAR KIT #8	1
	435000425R	R23414	1 3/4" BALL COLLAR KIT #8	1
20	-	480-31-00-000	SHEAR BOLT 5-PACK	1
20.1	-	R21639	M12-1.75 x55 HEX BOLT GR 8.8 (NOT FOR INDIVIDUAL SALE)	1
20.2	-	R21604	M12-1.75 NYLOCK NUT (NOT FOR INDIVIDUAL SALE)	1
21	348017000R20	R21687	GREASE NIPPLE M6x1 STRAIGHT	1
22	435000415R	R23415	1 3/4" BALL COLLAR KIT RT #8	1
23	5CH8101U2SS	R23416	COMPLETE SHIELD KIT	1

Attention:

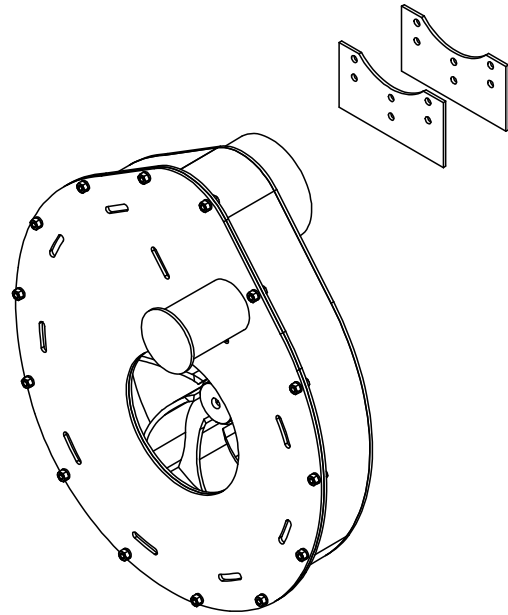
When ordering PTO driveline parts, please note if your machine was equipped with a 3 lobe or 4 lobe drivetube. Most components are not interchangeable between versions.

Ensure proper version **before** ordering parts.

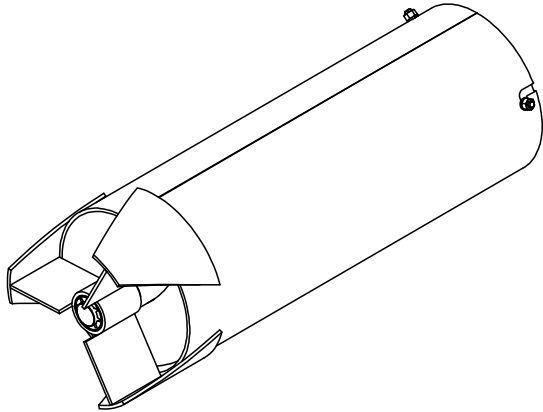
H-5 OPTIONS



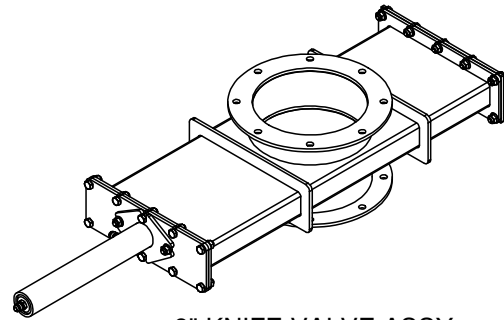
PTO HOLDER KIT
244-48-00-000
(PTO NOT INCLUDED)



H.P. FAN & HOUSING KIT
246-55-00-000



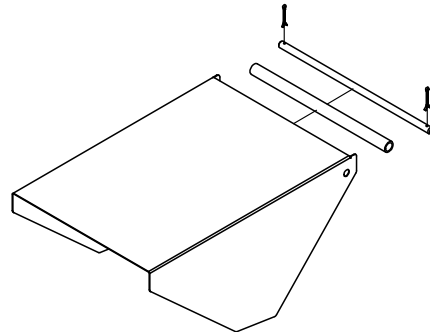
3FT AUGER EXTENSION KIT
244-92-00-000



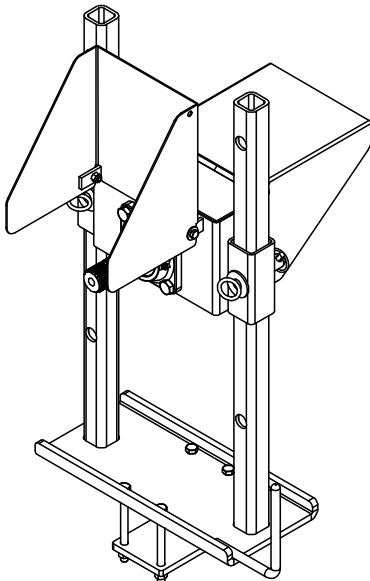
8" KNIFE VALVE ASSY
244-89-00-000



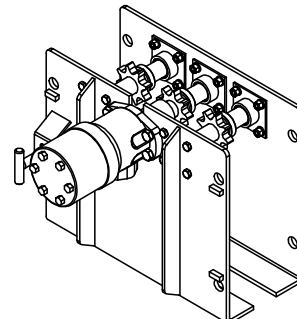
COOLING FAN ASSY
244-98-00-000



RAIN COVER KIT-BONDIOLI GEARBOX
286-29-00-000



JACK SHAFT ASSY
246-01-00-000



POSITIVE DRIVE KIT
286-30-00-000

GUARANTEE

All Husky Farm Equipment manufactured by Husky Farm Equipment Limited is guaranteed. Guarantee covers all the replacement cost or repair of all parts said to be defective from manufacture. Guarantee also covers labour installing said parts, if installed at Husky Manufacturing plant. Time and use is the essence of the guarantee. If equipment is used on a private property for an individual's use, guarantee will be in effect for twelve months from date of invoice. If equipment is used for commercial use to do custom work for money then guarantee will be in effect for three months only from date of invoice.

EXEMPTIONS FROM GUARANTEE

Cost of transportation of equipment to or from Husky Farm Equipment Limited either by customer or by Husky's service staff or cost of mail or public transportation is not covered. Tires and electric or hydraulic motors are covered by manufacturer's warranty and although Husky may assist to get warranty, Husky will not be responsible other than that allowed by manufacturer's warranty. Items subject to normal wear from use not covered by guarantee if faulty part is simply worn.