

DATE PURCHASED _____ MACHINE SERIAL NO. _____

SIZE OF PUMP _____ OPTIONS _____

*Office copy
April 26/91
20 made
July 2/91
20 made
Nov 1/91
10 made*

PLEASE NOTE:

The key number system in this parts book is arranged as follows:

- 0 --Key number with one circle denotes main assemblies
- Key numbers not circled are individual parts

Please order parts by number

H5000

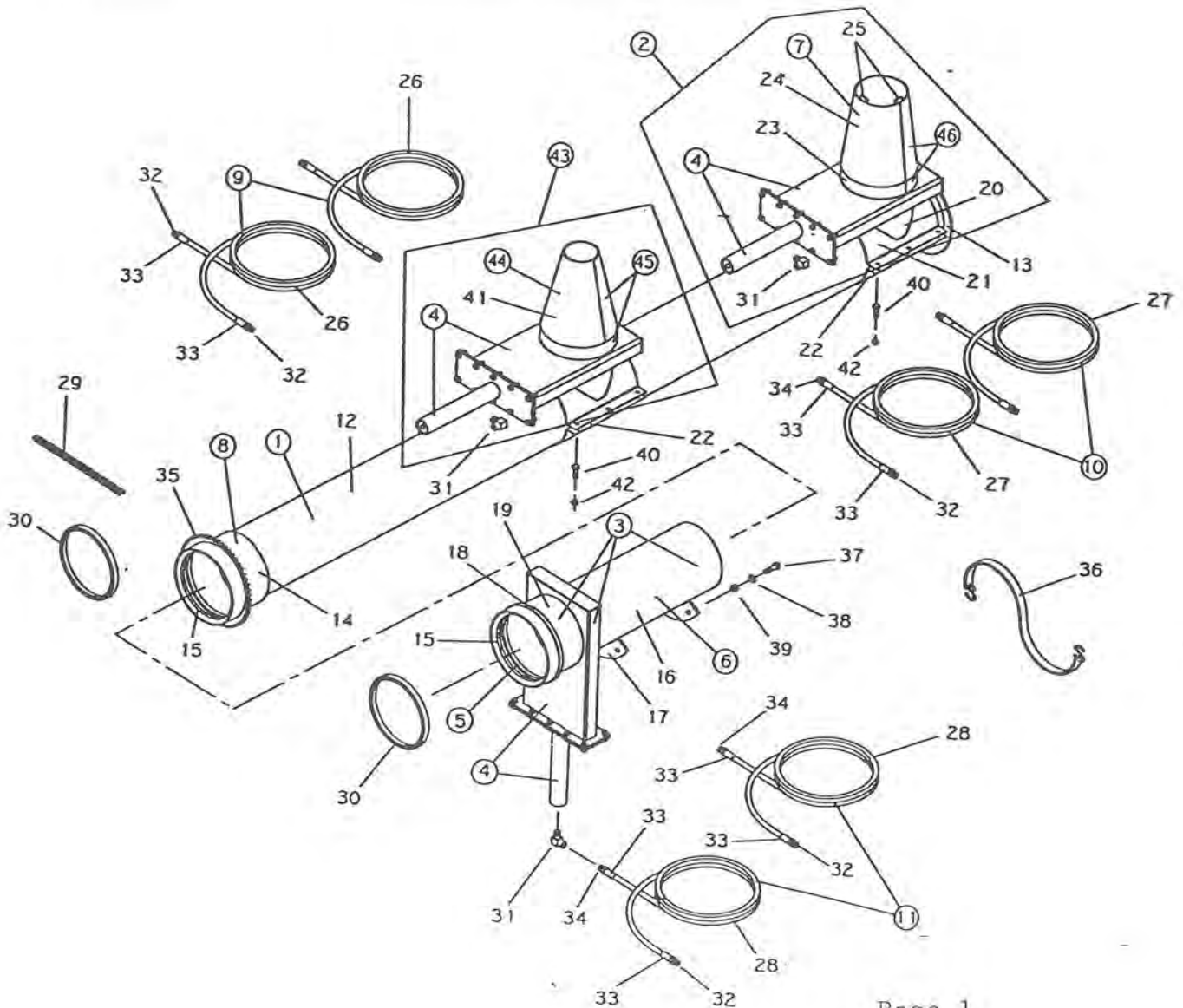
HUSKY LIQUID MANURE PUMP

OPERATING INSTRUCTIONS:

1. Do not leave pump in manure pit - remove pump from pit - wash off and cover with old oil or diesel fuel.
2. Do not over rev tractor while pumping as discharge spout will lift into the air. If pumping fast tie down spout.
3. The (urethane) marine bearing at the bottom of the pump is lubricated with manure or water. If the level of the liquid is below the bearing and you are running for long periods put a water hose in the top of stand pipe.
4. Always fill all hydraulic motors and cylinders with oil before installing in pit.
5. EXTREME DANGER - Never enter a dirty Manure Spreader or Storage Tank - one breath of Hydrogen Sulfide Gas is enough to kill. Have a ladder in your pit, so that if by accident you should fall in, you can get out again. Keep all lids closed and open pits fenced to keep children and animals out.
6. For open centre hydraulic tractors, use short plug on right hand end of hydraulic valve. For closed centre hydraulics use long plug with o-ring. (Oil must flow in left hand end of valve).

H5000 STANDPIPE

KEY	PART NUMBER	DESCRIPTION	QTY
1	242-90-00-000	STANDPIPE ASSY - 8FT PUMP	1
	244-91-00-000	STANDPIPE ASSY - 10FT PUMP	1
	246-92-00-000	STANDPIPE ASSY - 12FT PUMP	1
2	242-93-00-000	VALVE CYLINDER & CONE ASSY COMPLETE	1
<hr style="border-top: 1px dashed black;"/>			
3	242-95-00-000	UPPER STANDPIPE & VALVE ASSY	1
4	242-36-00-000	VALVE & CYLINDER ASSY	3
5	242-10-11-000	UPPER EXTENSION PIPE ASSY	1
6	242-10-10-000	UPPER FIXED STANDPIPE ASSY	1
<hr style="border-top: 1px dashed black;"/>			
7	242-93-23-000	LOWER CONE ASSY	1
8	242-09-09-000	LOWER EXTENSION PIPE ASSY	1
9	242-40-00-000	HYD HOSE A.-CONTROL TO TOP TEE- 8FT.	2
	244-46-00-000	HYD HOSE A.-CON. TO TOP TEE-10 &12FT.	2
<hr style="border-top: 1px dashed black;"/>			
10	242-41-00-000	HYD HOSE A.-CON. TO BOTTOM TEE -8 FT.	2
	244-47-00-000	HYD HOSE A.-CON. TO BOTTOM TEE -10FT.	2
	246-52-00-000	HYD HOSE A.-CON. TO BOTTOM TEE -12FT.	2
11	242-39-00-000	HYD HOSE A.-CON. TO DISCHARGE - 8FT.	2



<u>KEY</u>	<u>PART NUMBER</u>	<u>DESCRIPTION</u>	<u>QTY</u>
	244-45-00-000	HYD HOSE A.-CON. TO DISCHARGE -10FT.	2
	246-51-00-000	HYD HOSE A.-CON. TO DISCHARGE -12FT.	2
12	242-90-00-216	STANDPIPE - 8FT. PUMP	1
	244-91-00-217	STANDPIPE - 10FT. PUMP	1
	246-92-00-218	STANDPIPE - 12FT. PUMP	1
13	242-04-04-026	STANDPIPE RING	1
14	242-09-09-048	EXTENSION PIPE	1
15	242-09-09-049	COUPLING BASE	2
16	242-10-10-052	FIXED UPPER STANDPIPE	1
17	242-10-10-053	STANDPIPE HOLD DOWN BRKT	2
18	242-10-11-054	HOOK RING	1
19	270-01-18-134	VALVE EXTENSION PIPE	1
20	242-93-00-219	TEE SIDE	2
21	242-93-00-220	CONE CLAMP ON BRKT	2
22	242-00-00-221	CLAMP ON BRKT	2
23	242-93-23-224	CONE MOUNT	2
24	242-93-23-226	CONE	2
25	242-07-00-046	CONE RIBS	8
26	242-40-00-164	HYD HOSE - 8FT. PUMP	2
	244-46-00-171	HYD HOSE - 10FT. & 12FT. PUMP	2
27	242-41-00-160	HYD HOSE - 8FT. PUMP	2
	244-47-00-172	HYD HOSE - 10FT. PUMP	2
	246-52-00-178	HYD HOSE - 12FT. PUMP	2
28	242-39-00-163	HYD HOSE - 8FT. PUMP	2
	244-45-00-170	HYD HOSE - 10FT. PUMP	2
	242-35-00-159	HYD HOSE - 12FT. PUMP	2
29	242-00-00-137	#50 ROLLER CHAIN COMPLETE WITH C/L	1
30	R02360	STANDPIPE GASKET	2
31	R21366	3/8" STEEL ELBOW	3
32	R20803	3/8-18 NPT SOLID STEM - M	6
33	R21231	FERRULES	12
34	R20806	3/8-18 NPT SWIVEL STEM - M	6
35	R20610	AGITATOR TURN SPROCKET	1
36	R09533	RUBBER STRAP - 8FT. PUMP	1
		RUBBER STRAP -10FT. & 12FT. PUMP	2
37	R07674	1/2 X 1 1/4 HEX HD BOLT	6
38	R07805	1/2 LOCK WASHER	6
39	R07785	1/2 HEX NUT	6
40	R07629	7/16 X 1 1/2 HEX HD BOLT	12
41	242-20-29-244	CONE	2
42	R07879	7/16 FLANGE NUTS	12
43	242-20-00-000	UPPER VALVE & CONE COMPLETE	1
44	242-20-39-000	UPPER CONE ASSY	1
45	242-20-29-000	UPPER CONE & MOUNT ASSY	1
46	242-93-40-000	LOWER CONE & MOUNT ASSY	1

H5000 DRIVE SHAFT TUBE

<u>KEY</u>	<u>PART NUMBER</u>	<u>DESCRIPTION</u>	<u>QTY</u>
1	242-82-00-000	SHAFT TUBE ASSY. - 8FT. PUMP	1
	244-83-00-000	SHAFT TUBE ASSY. - 10FT. PUMP	1
	246-84-00-000	SHAFT TUBE ASSY. - 12FT. PUMP	1
2	242-37-00-000	HYD HOSE ASSY-CONTRL TO ROTATE- 8FT	2
	242-39-00-000	HYD HOSE ASSY-CONTRL TO ROTATE-10FT	2
	244-45-00-000	HYD HOSE ASSY-CONTRL TO ROTATE-12FT	2
3	242-13-00-000	CHAIN TIGHTNER ASSY COMPLETE	1
4	242-80-00-000	SS. SET SCREW ASSY -LONG	1
5	244-03-00-000	GEAR BOX ASSY	1
6	244-04-00-000	PTO GUARD ASSY	1
7	242-16-00-000	R H STABLIZER BRKT ASSY	1
8	242-22-27-000	MARINE BRG HOLDER ASSY	1
9	242-22-00-000	MARINE BRG AND HOLDER COMPLETE	1
10	242-96-00-000	L H STABLIZER BRKT ASSY	1
11	R08046	1/2-13 JAM NUT	1
12	R20235	1 7/8 SQ WOOD BRG	1 2*
13	242-82-00-203	SHAFT TUBE - 8FT. PUMP	1
	244-83-00-205	SHAFT TUBE - 10FT. PUMP	1
	246-84-00-206	SHAFT TUBE - 12FT. PUMP	1
14	242-82-00-204	LOWER SHAFT TUBE FLANGE	1
15	242-11-00-057	GUSSET STOP PLATE	2
16	242-11-00-058	SHAFT TUBE GUSSET	2
17	242-11-00-059	CHAIN HOLD DOWN BRKT	1
18	242-22-27-236	SLEEVE SET SCREW PIPE	1
19	242-11-00-061	TIGHTENER BRKT	1
20	242-11-00-062	DRIVE SHAFT TUBE END PLATE	1
21	242-80-00-202	SS SET SCREW REDDI ROD - LONG	1
22	242-11-00-064	TUBE GUSSET	2
23	242-00-00-065	LIFT CHAIN - 8FT. PUMP	1
	244-00-00-169	LIFT CHAIN - 10FT. PUMP	1
	246-00-00-177	LIFT CHAIN - 12FT. PUMP	1
24	242-00-00-066	CHAIN TIGHTENER	1
25	242-22-27-235	BRG HOLDER PLATE	2
26	250-76-34-180	MARINE BRG HOLDER	1
27	242-13-12-069	ROLLER CHAIN TIGHTENER BRKT	1
28	242-13-00-070	HYD MOTOR MOUNT	1
29	244-03-00-263	R H GEARBOX MOUNT PLATE	1
30	244-03-00-262	L H GEARBOX MOUNT PLATE	1
31	242-14-00-073	GEARBOX PLATE	1
32	242-14-00-074	GEARBOX LOWER PLATE	1
33	242-14-00-075	STANDPIPE SADDLE	1

<u>KEY</u>	<u>PART NUMBER</u>	<u>DESCRIPTION</u>	<u>QTY</u>	
34	244-03-00-270	GUSSET	1	
35	244-04-00-264	PTO GUARD	1	
36	244-04-00-265	PTO GUARD REINFORCING ANGLE	1	
37	242-16-00-079	STABLIZER BRKT	2	

38	242-16-00-080	SPRING RETAINING ROD	2	
39	250-05-00-126	SS SET SCREW LUG	4	7*
40	242-37-00-161	HYD HOSE-CON. TO ROTATE- 8FT. PUMP	2	
	242-39-00-163	HYD HOSE-CON. TO ROTATE-10FT. PUMP	2	

	244-45-00-170	HYD HOSE-CON. TO ROTATE-12FT. PUMP	2	
41	R08025	STABLIZER BRKT SPRING	1	
42	R07868	3/8-24 UNF X 1 1/2 SOCKET HD CAP SCREW	1	
43	R20803	3/8-18 NPT SOLID STEM	2	

44	R07805	1/2" LOCK WASHER	11	14*
45	R07674	1/2 X 1 1/4 -13UNC HEX BOLT	3	6*
46	R07797	3/8 HEX NUT -24	1	
47	R07671	7/16 X 1 HEX HD BOLT	2	

48	R07824	7/16 FLAT WASHER	2	
49	R20851	HYD MOTOR 101-1008	1	
50	R11114	1 X 1/4 WOODRUFF KEY	1	
51	R07903	1/4 X 3/8 SET SCREW	1	

52	R20602	#50 B12 SPROCKET - 1" BORE	1	
53	R07670	3/8 X 7/8 HEX HD BOLT	4	
54	R07803	3/8 LOCK WASHER	4	
55	R07785	1/2 HEX NUT	1	

56	R07638	1/2 X 1 1/2 HEX HD BOLT	1	
57	R08235	1/2" S.S. HEX NUT	1	
58	R07806	5/8 LOCK WASHER	4	
59	R21139	1:1.35 GEARBOX	1	

60	R07646	5/8 X 1 1/2 HEX HD BOLT	2	
61	R07786	5/8 HEX NUT	4	
62	R20806	3/8 -18 NPT SWIVEL STEM - M	2	
63	R02043	1/2 X 3/8 BUSHING	2	

64	R21315	FERRULES	4	
65	R07891	7/16-2 WAY LOCK NUT	2	
66	R09071	SERIAL NUMBER	1	
67	R08162	DRIVE SCREWS	2	

68	R07647	5/8 X 2 HEX HD BOLT	2	
69	R07826	5/8 FLAT WASHER	2	

* On 12 Ft. Pumps & Larger

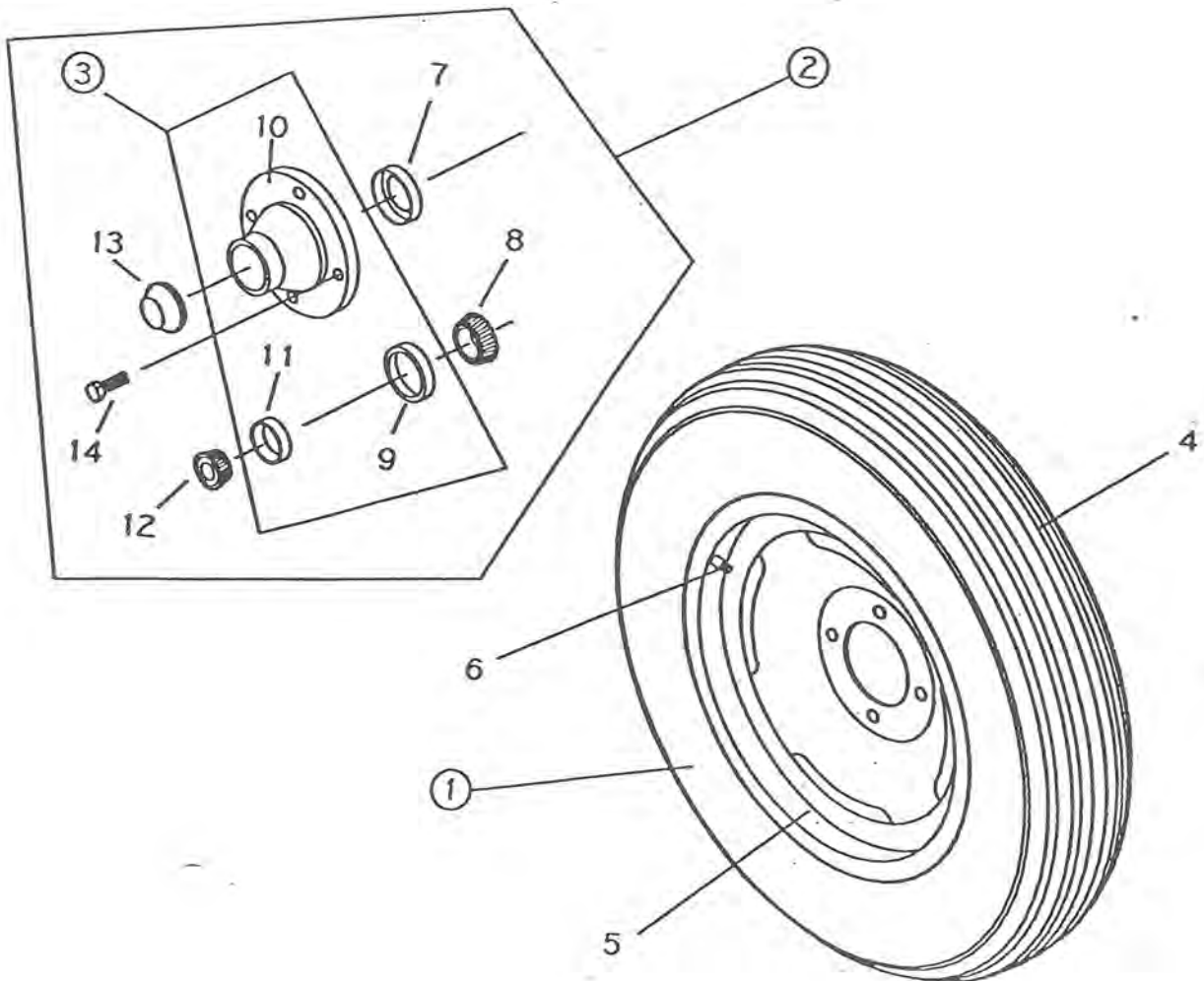
<u>KEY</u>	<u>PART NUMBER</u>	<u>DESCRIPTION</u>	<u>QTY</u>
1	250-65-00-000	TIRE & WHEEL ASSY -5.90 X 15	2
2	250-60-30-000	H-411 HUB COMPLETE	2
3	R20139	H-411 HUB W/ CUPS	2
4	R20016	5.90 X 15 RIB IMPLEMENT TIRE	2

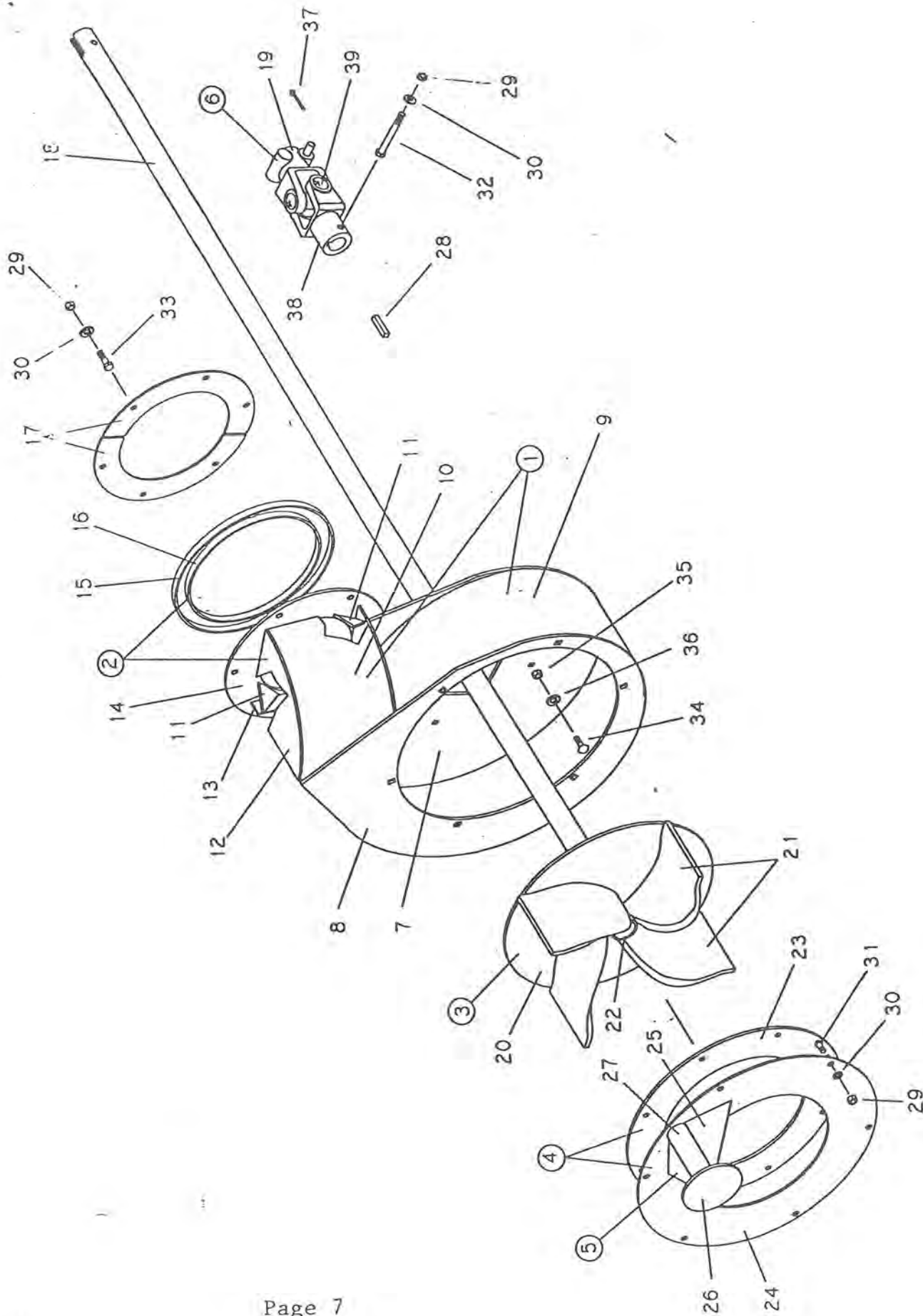
5	R20057	4.5 X 15 WHEEL - 4 BOLT	2
6	R20020	VALVE STEM	2
7	R20144	OIL SEAL	2
8	R20159	INNER CONE	2

9	R20129	INNER CUP	2
10	R20160	H-411 HUB	2
11	R20130	OUTER CUP	2
12	R20158	OUTER CONE	2

13	R20143	DUST CAP	2
14	R20145	WHEEL BOLTS - 1/2 - 20 X 1 1/4	8

* OPTIONAL





IMPELLER & HOUSING ASSEMBLY

<u>KEY</u>	<u>PART NUMBER</u>	<u>DESCRIPTION</u>	<u>QTY</u>
1	242-88-00-000	FAN HOUSING ASSY	1
2	242-88-20-000	BOOT ASSY	1
3	244-02-00-000	IMPELLER ASSY	1
4	244-01-00-000	COVER PLATE ASSY	1

5	250-04-03-000	FOOT ASSY	1
6	242-54-00-000	KNUCKLE ASSY	1
7	242-88-00-210	UPPER FAN HOUSING	1
8	242-88-00-211	LOWER FAN HOUSING	1

9	242-88-00-212	HOUSING BAND	1
10	242-88-20-213	BOOT END PLATE	1
11	242-01-00-015	CORNER PCS	4
12	242-88-20-214	SIDE PLATE	2

13	242-01-00-014	FILLER PLATE	1
14	242-01-03-011	BACK PLATE	1
15	242-01-03-012	OUTER BAND	1
16	242-01-03-013	INNER BAND	1

17	242-00-00-017	HALF RINGS	2
18	242-00-00-258	IMPELLER SHAFT - 8 FT.	1
	244-00-00-259	IMPELLER SHAFT -10 FT.	1
	246-00-00-260	IMPELLER SHAFT -12 FT.	1

19	242-54-00-237	Q.D. YOKE 1 3/4 27 T	1
20	242-85-24-277	IMPELLER BACK PLATE	1
21	244-02-00-257	IMPELLER BLADE	4
22	250-03-11-018	IMPELLER GUIDE RING	1

23	244-01-00-255	COVER PLATE SUPPORT	1
24	244-01-00-256	COVER PLATE	1
25	250-04-00-173	FOOT GUSSET	2
26	250-04-03-012	FOOT END	1

27	250-04-03-013	FOOT	1
28	270-00-00-075	3/8 X 3/8 X 2 KEY	1
29	R07784	7/16 HEX NUT	13
30	R07804	7/16 LOCK WASHER	13

31	R07731	7/16 X 1 CARRIAGE BOLT	6
32	R07634	7/16 X 4 HEX BOLT	1
33	R07629	7/16 X 1 1/2 HEX HD BOLT	6
34	R07721	3/8 X 1 CARRIAGE BOLT	8

35	R07783	3/8 HEX NUT	8
36	R07803	3/8 LOCK WASHER	8
37	R08081	1/8 X 1 SS. COTTER PIN	1
38	R20384	1 3/4 ROUND HOLE YOKE	1

39	R20385	JOURNAL & BRG KIT	1

TRAILER ASSEMBLY

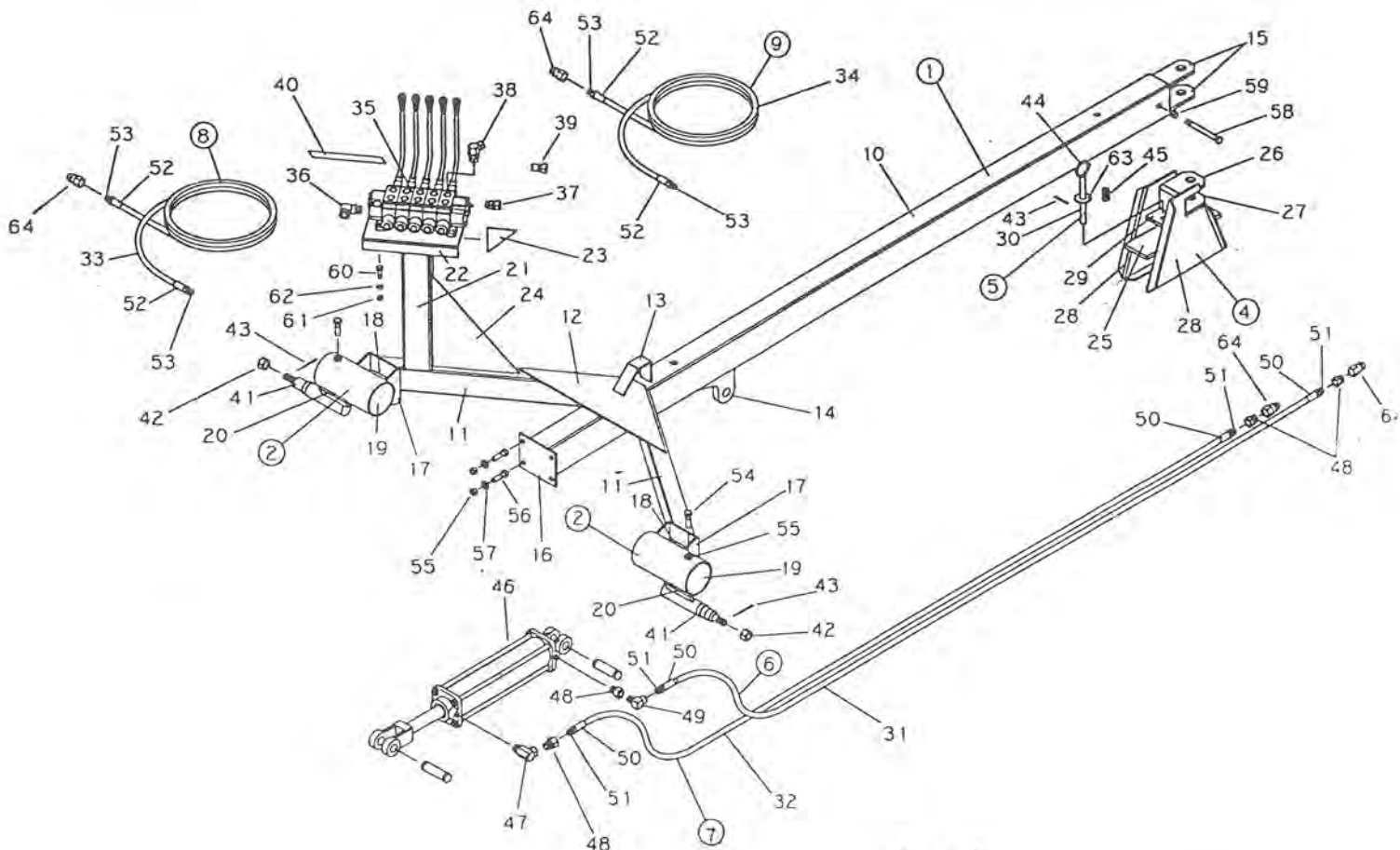
<u>KEY</u>	<u>PART NUMBER</u>	<u>DESCRIPTION</u>	<u>QTY</u>
1	242-89-00-000	TRAILER ASSY	1
2	242-18-14-000	SPINDLE TUBE HOLDER R.H.	1
	242-18-28-000	SPINDLE TUBE HOLDER L.H.	1
3	242-18-15-000	CONTROL VALVE STAND ASSY	1

4	242-99-00-000	HITCH ASSY	1
5	242-98-00-000	DROP PIN ASSY	1
6	242-35-00-000	HYDRAULIC HOSE ASSY - TRACTOR TO CYL	1
7	242-34-00-000	HYDRAULIC HOSE ASSY - TRACTOR TO CYL	1

8	242-71-00-000	HYDRAULIC HOSE ASSY - TRACTOR TO CONTRL	1
9	242-72-00-000	HYDRAULIC HOSE ASSY - TRACTOR TO CONTRL	1
10	242-18-00-092	TRAILER TUBE	1
11	242-18-00-093	FRAME TUBE BRACE	2

12	242-18-00-094	MAIN FRAME BUSSET	1
13	242-18-00-095	HITCH STOP	1
14	242-18-00-096	CYLINDER GUSSET	1
15	242-89-00-243	TRAILER TUBE TONGUE PLATE	2

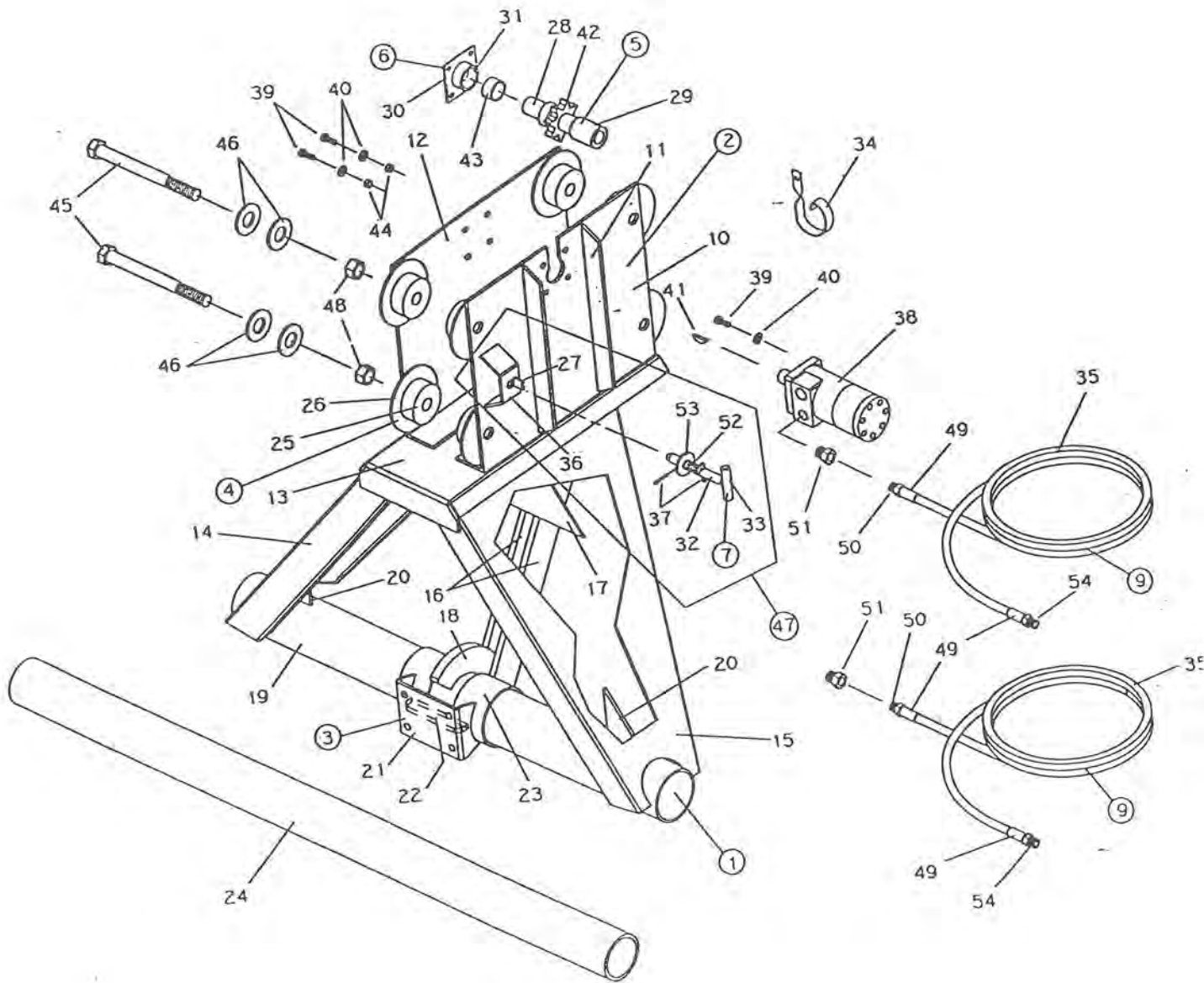
16	242-18-00-099	TONGUE BRKT	1
17	242-18-14-100	AXLE BRACE BRKT	2
18	242-18-14-101	AXLE BRACE BRKT SUPPORT	2
19	242-18-00-102	OUTER SLEEVE	2



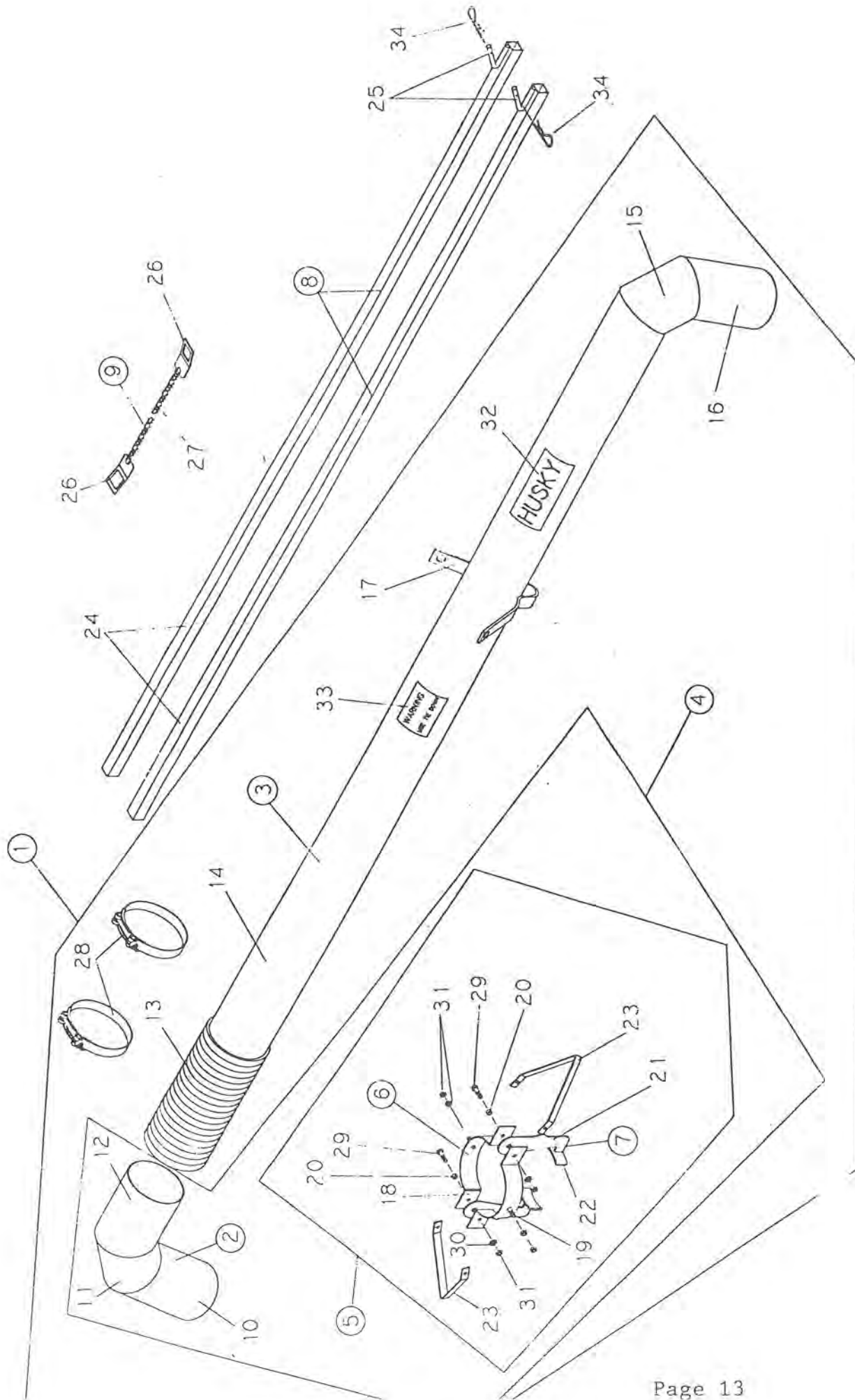
<u>KEY</u>	<u>PART NUMBER</u>	<u>DESCRIPTION</u>	<u>QTY</u>
20	242-89-00-215	SPINDLE REINFORCING BAR	2
21	242-18-15-103	CONTROL VALVE STAND TUBE	1
22	242-18-15-104	CONTROL VALVE PLATE	1
23	242-18-15-105	CONTROL VALVE PLATE GUSSET	2
24	242-18-15-106	STAND TUBE GUSSET	1
25	242-99-00-238	HITCH BRKT	1
26	242-99-00-239	UPPER TONGUE PLATE	1
27	242-99-00-240	LOWER TONGUE PLATE	1
28	242-99-00-241	HITCH SIDE PLATE L.H.	1
	242-99-00-245	HITCH SIDE PLATE R.H.	1
29	242-99-00-242	PIN BRK	1
30	242-98-00-233	DROP PIN	1
31	242-35-00-159	1/4" HYDRAULIC HOSE	1
32	242-34-00-158	1/4" HYDRAULIC HOSE	1
33	242-71-00-188	1/2" HYDRAULIC HOSE	1
34	242-72-00-189	1/2" HYDRAULIC HOSE	1
35	R20794	5 BANK VALVE	1
36	R20814	3/4-16SAE X 1/2NPT 90DEG SWVL ADAPTOR	1
37	R21276	3/4-16 SAE X 1/2 NPT SWIVEL ADAPTOR	1
38	R20826	3/4-16SAE X 3/8NPT 45DEG SWVL ADAPTOR	10
39	R21376	OPEN CENTRE PLUG	1
40	R09506	CONTROL VALVE STICKER	1
41	R20141	SPINDLE (COMPLETE W/NUT)	2
42	R20142	3/4-16 SLOTTED HEX NUT	2
43	R08002	5/32 X 1 1/2 COTTER PIN	3
44	R07925	1/4 X 1 1/2 PLATED RING	1
45	R08027	SPRING	1
46	R20729	3 X 14" HYDRAULIC CYLINDER	1
47	R21335	90 DEGREE RESTRICTOR	1
48	R02043	1/2 X 3/8 BUSHING	4
49	R21366	3/8 X 90 DEGREE STEEL STREET ELBOW	1
50	R20805	1/4" FERRULE	4
51	R20803	3/8-18 NPT SOLID MALE STEM	4
52	R21240	1/2" FERRULE	4
53	R20818	1/2-14 NPT SOLID MALE STEM	4
54	R07637	1/2 X 1 HEX HEAD BOLT	2
55	R07785	1/2 HEX NUT	6
56	R07674	1/2 X 1 1/4 HEX HEAD BOLT	4
57	R07805	1/2 LOCK WASHER	4
58	R07642	1/2 X 3 1/2 HEX HEAD BOLT	1
59	R07885	1/2" LOCK NUT	1
60	R07675	3/8 X 1 1/4 HEX HEAD BOLT	3
61	R07783	3/8 HEX NUTLE	3
62	R07803	3/8 LOCK WASHER	3
63	R07826	5/8 FLAT WASHER	1
64	R21342	1/2" PIONEER FITTING	4

H5000 "A" FRAME

<u>KEY</u>	<u>PART NUMBER</u>	<u>DESCRIPTION</u>	<u>QTY</u>
1	242-17-00-000	"A" FRAME ASSY	1
2	242-17-13-000	R H SPOOL HOLDER ASSY	1
3	242-19-00-000	TONGUE AXLE BRKT	1
4	242-24-00-000	SPOOL ASSY	8
<hr/>			
5	242-25-00-000	SPROCKET DRIVE ASSY	1
6	242-26-00-000	BUSHING HOLDER ASSY	1
7	242-17-18-000	SIDE LOCK PIN ASSY	1
8	242-17-17-000	SIDE LOCK BRKT ASSY	1
<hr/>			
9	242-38-00-000	HYD HOSE ASSY	2
10	242-17-13-081	SPOOL HOLDER R H	1
11	242-17-13-082	SPOOL HOLDER BRACE	2
12	242-17-00-083	SPOOL HOLDER L H	1



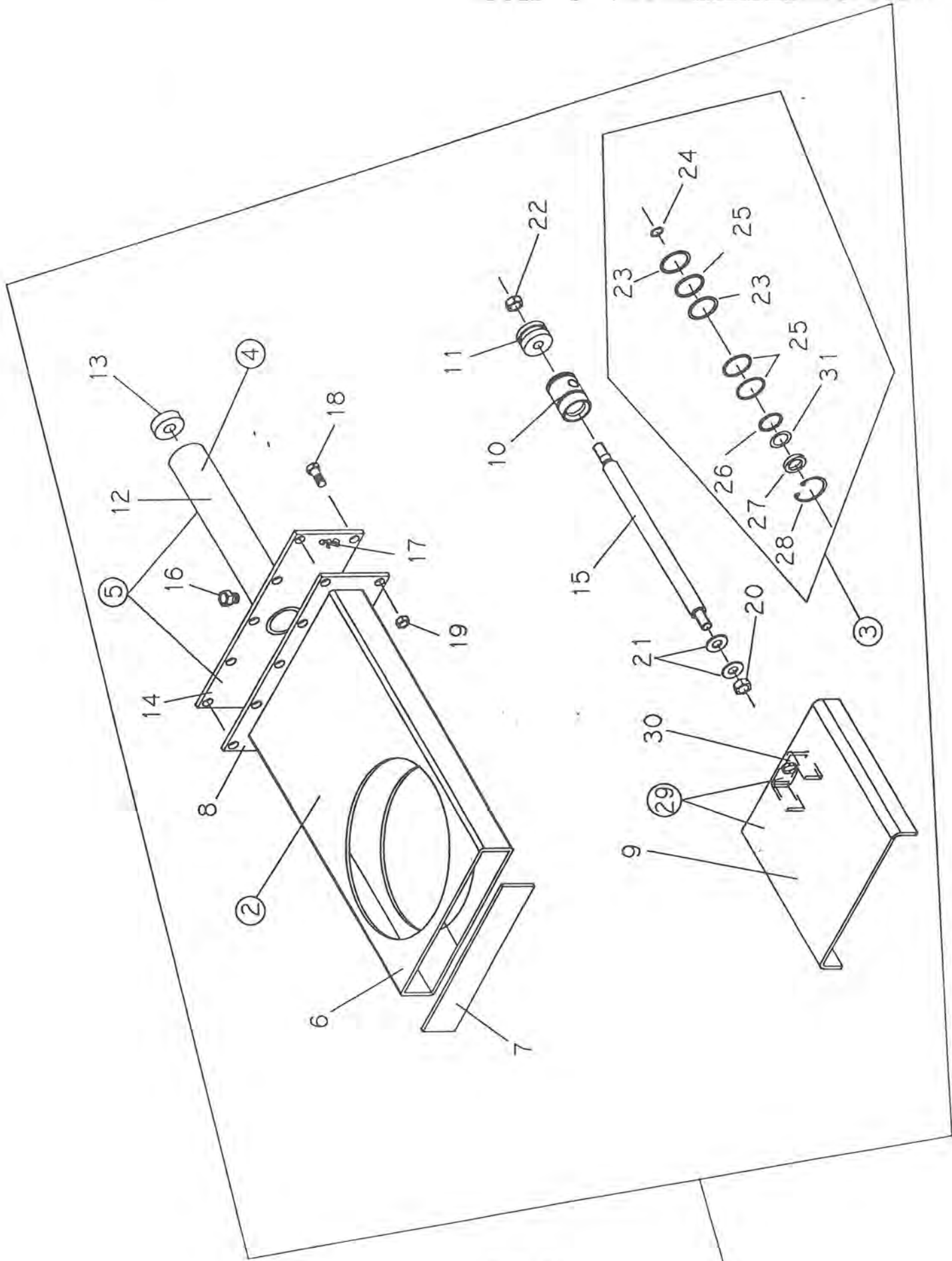
<u>KEY</u>	<u>PART NUMBER</u>	<u>DESCRIPTION</u>	<u>QTY</u>
13	242-17-00-084	TILT FRAME BASE	1
14	242-17-00-085	L H SUPPORT ARM	1
15	242-17-00-086	R H SUPPORT ARM	1
16	242-17-00-087	REINFORCING BARS	2
17	242-17-00-088	TILT FRAME GUSSET	1
18	242-17-00-089	CYLINDER AXLE BRKT	1
19	242-17-00-090	WHEEL SHAFT SLEEVE	1
20	242-17-00-091	SUPPORT ARM GUSSET	2
21	242-19-00-107	TONGUE AXLE BRKT	1
22	242-19-00-108	TONGUE AXLE BRKT REINFORCING BAR	1
23	242-19-00-109	OUTER SLEEVE	2
24	242-00-00-113	INNER AXLE	1
25	242-24-00-128	SPOOL ROLLER	8
26	242-24-00-129	SPOOL END PLATE	8
27	242-17-17-194	PIN STOP	1
28	242-25-00-131	SPROCKET SHAFT	1
29	242-25-00-132	MOTOR TO SHAFT COUPLING	1
30	242-26-00-133	BUSHING HOLDER PLATE	1
31	242-26-00-134	BUSHING HOLDER	1
32	242-17-18-195	SIDE LOCK PIN	1
33	242-17-18-196	PIN HANDLE	1
34	242-00-00-157	HOSE NIBLICK	1
35	242-38-00-162	6 MM HYD HOSE	2
36	242-17-17-193	SIDE LOCK BRKT	1
37	R07943	3/16 X 1 1/2 ROLL PIN	2
38	R20851	HYDRAULIC MOTOR #101-1008	1
39	R07670	3/8 X 7/8 HEX HD BOLT	8
40	R07803	3/8 LOCK WASHER	8
41	R11114	SPROCKET DRIVE KEY (C/W HYD MOTOR)	1
42	250-25-00-257	80 B-8 SPROCKET -32MM BORE	1
43	R20259	BRASS BUSHING 1 1/4 X 1 1/2 X 3/4	1
44	R07783	3/8 HEX NUT	4
45	R07697	7/8 X 9 HEX BOLT	4
46	R07828	1" FLAT WASHER	8
47	242-27-00-000	SIDE LOCK KIT	1
48	R08047	7/8" LOCK NUT	4
49	R20805	FERRULES	4
50	R20803	3/8-18 NPT SOLID STEM	2
51	R02043	1/2 X 3/8 BUSHING	2
52	R08027	SPRING	1
53	R07826	5/8 FLAT WASHER	1
54	R20806	3/8-18 NPT SWIVEL ADAPTOR	2



DISCHARGE PIPE ASSEMBLY

KEY	PART NUMBER	DESCRIPTION	QTY
1	242-62-00-000	DISCHARGE PIPE COMPLETE 15 FT	1
	270-43-00-000	DISCHARGE PIPE COMPLETE 20 FT	*
2	242-28-00-000	PUMP ELBOW ASSY	1
3	242-30-00-000	DISCHARGE PIPE ASSY - 15 FT	1
	270-42-00-000	DISCHARGE PIPE ASSY - 20 FT	*
4	242-81-00-000	DISCHARGE ELBOW & PIPE CONN KIT	1
5	270-44-00-000	DISCHARGE PIPE CONN HOOK KIT	1
6	242-31-00-000	DISCHARGE PIPE SLEEVE ASSY	2
7	242-32-00-000	DISCHARGE PIPE HOOK ASSY	2
8	242-33-00-000	BIPOD LEG ASSY	2
9	242-79-00-000	BIPOD LEG CHAIN ASSY	1
10	242-28-00-138	PUMP ELBOW BASE SECTION	1
11	242-28-00-139	PUMP ELBOW MIDDLE SECTION	1
12	242-28-00-140	PUMP ELBOW UPPER SECTION	1
13	242-00-00-141	FLEX HOSE SECTION	1
14	242-30-00-145	DISCHARGE PIPE - 15 FT	1
	270-42-00-130	DISCHARGE PIPE - 20 FT	1
15	242-30-00-146	DISCHARGE ELBOW CENTRE PC	1
16	242-30-00-147	DISCHARGE ELBOW END PIECE	1
17	242-30-00-148	DISCHARGE PIPE HOOK	1
18	242-31-00-149	DISCHARGE PIPE SLEEVE	2
19	242-31-00-150	REDDI ROD	2
20	242-00-00-152	HOOK SPACER	2
21	242-32-00-153	DISCHARGE PIPE LOCK HOOK	2
22	242-32-00-154	HOOK PLATE	2
23	242-00-00-151	BRACKET LOCK	2
24	242-33-00-155	BIPOD LEGS	2
25	242-33-00-156	LEG HOOKS	2
26	242-79-00-198	BIPOD LEG CLIP	2
27	242-79-00-199	BIPOD LEG CHAIN	1
28	R02484	8" BAUER SUPER CLAMPS	2
29	R07611	5/16 X 1 HEX HD BOLT	2
30	R07802	5/16 LOCK WASHER	4
31	R07782	5/16 HEX NUT	4
32	R09502	HUSKY DECAL	1
33	R09690	TIE DOWN DECAL	1
34	R07948	5/32 HAIRPIN	2

* OPTIONAL

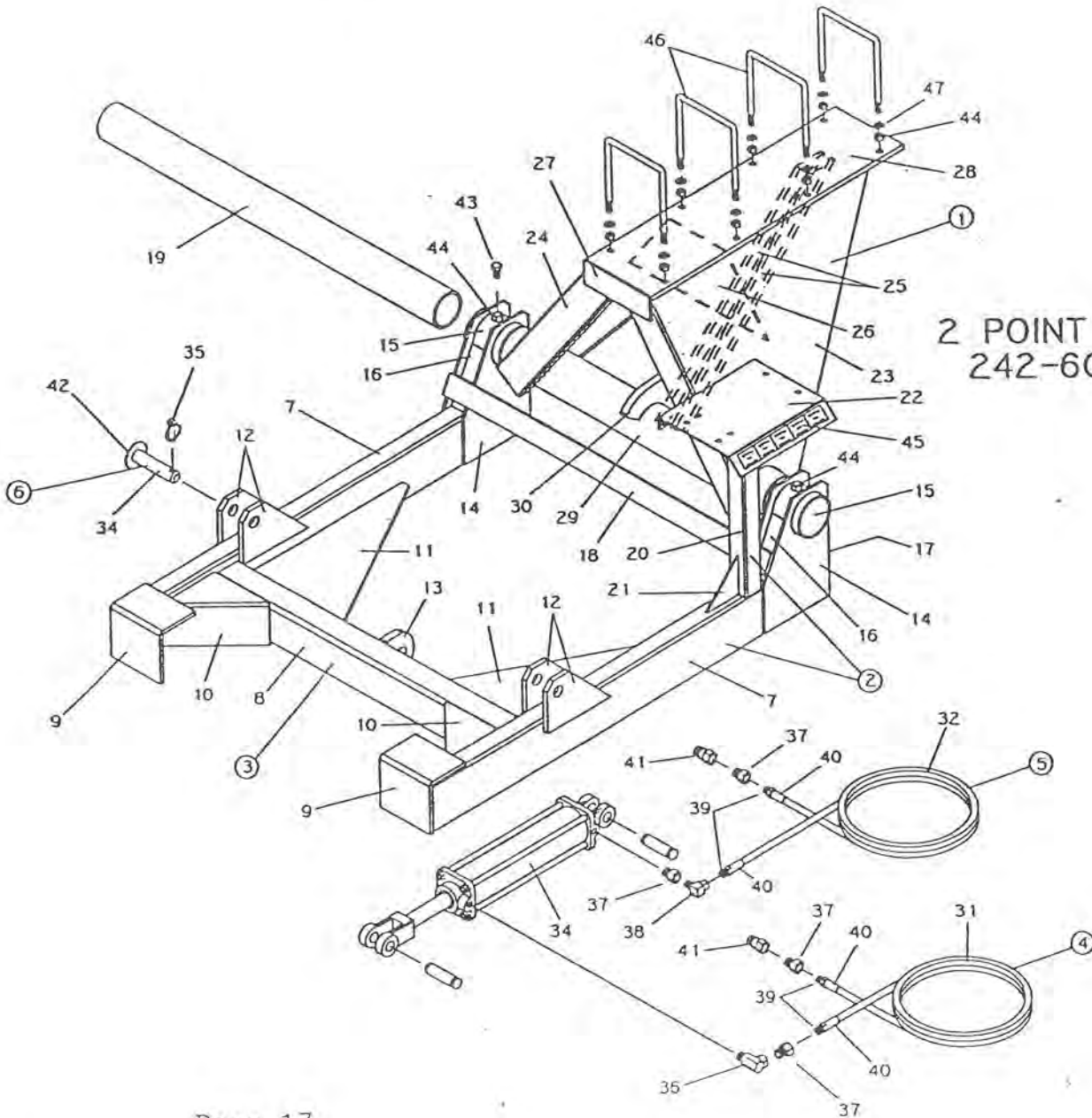


1 1/2" VALVE & CYL. KIT

KEY	PART NUMBER	DESCRIPTION	QTY
1	242-36-00-000	1 1/2" VALVE & CYLINDER COMPLETE (KIT)	3
2	242-97-00-000	VALVE HOUSING ASSY	1
3	340-47-00-000	O'RING KIT FOR 1 1/2' HYD CYL	1
4	270-55-25-000	HYDRAULIC CYLINDER & FLANGE COMPLETE	1
5	270-55-26-000	CYLINDER TUBE ASSY	1
6	242-97-00-229	VALVE TUBE	1
7	242-97-00-230	VALVE END CAP	1
8	242-97-00-231	VALVE INNER FLANGE	1
9	242-36-40-268	VALVE GATE	1
10	340-36-00-434	WIPER BLOCK	1
11	340-36-00-435	CYLINDER PLUNGER	1
12	340-36-18-430	HYDRAULIC CYLINDER TUBE	1
13	340-36-18-431	END CAP	1
14	270-55-26-159	VALVE OUTER FLANGE	1
15	307-29-00-068	CYLINDER SHAFT	1
16	R21287	1/4 M X 3/8 STRAIGHT SWIVEL ADAPTOR	1
17	R04100	SILICONE	1
18	R07619	3/8 X 1 HEX BOLT	10
19	R07794	3/8" FLANGE NUT	10
20	R08229	1/2" STAINLESS NYLON INSERT LOCK NUT	1
21	R08221	7/16 SAE SS FLAT WASHER	2
22	R07885	1/2" LOCK NUT	1
23	R20867	BACK UPS #8-218	2
24	R20865	O RING #11-014	1
25	R20866	O RING #11-218	3
26	R20771	O RING #11-210	1
27	R20774	ROD WIPER	1
28	R07967	RETAINING RING	1
29	242-36-42-000	VALVE GATE ASSY	1
30	242-36-42-269	VALVE GATE BRKT	1
31	R20862	BACK UP #210	1

H5000 - 2 POINT HITCH

<u>KEY</u>	<u>PART NUMBER</u>	<u>DESCRIPTION</u>	<u>QTY</u>
1	242-60-35-000	TILT FRAME ASSEMBLY	1
2	242-60-41-000	MAIN FRAME ASSY W/CONTROL STAND	1
3	250-87-44-000	MAIN FRAME LESS CONTROL STAND	1
4	250-87-51-000	HYD HOSE ASSEMBLY	1
<hr/>			
5	250-87-52-000	HYD HOSE ASSY	1
6	270-15-00-000	HITCH PIN	2
7	250-87-44-215	LEFT ARM	2
8	250-87-44-216	CROSS BRACE	1



2 POINT HITCH - CONT'D

<u>KEY</u>	<u>PART NUMBER</u>	<u>DESCRIPTION</u>	<u>QTY</u>
9	250-87-44-217	END CAP	2
10	250-87-44-218	ANGLE GUSSET	2
11	250-87-44-219	CROSS BRACE GUSSET	2
12	250-87-44-220	LIFT BRKTS	4
13	250-87-44-221	CYLINDER LUG	1
14	250-87-44-222	TILT FRAME BRKT	4
15	250-87-44-223	TILT FRAME BRKT SLEEVE	2
16	250-87-44-224	FRONT FILLER PLATE	2
17	250-87-44-225	REAR FILLER PLATE	2
18	250-87-44-226	CROSS STRAP	1
19	250-87-00-227	INNER AXLE TUBE	1
20	242-60-41-266	CONTROL VALVE STAND TUBE	1
21	242-60-41-267	GUSSET	1
22	242-18-15-104	CONTROL VALVE PLATE	1
23	242-60-35-247	L.H. SUPPORT ARM	1
24	242-60-35-248	R.H. SUPPORT ARM	1
25	242-60-35-249	REINFORCING BARS	2
26	242-60-35-250	TILT FRAME GUSSET	1
27	242-60-35-251	GUSSET	1
28	242-60-35-252	TOP SUPPORT PLATE	1
29	250-87-45-230	SUPPORT ARM SLEEVE	1
30	250-87-45-231	CYLINDER AXLE BRKT	1
31	250-87-51-258	HYDRAULIC HOSE	1
32	250-87-52-259	HYDRAULIC HOSE	1
33	270-15-00-133	PIN	2
34	R20724	4 X 14" HYDRAULIC CYLINDER	1
35	R08040	2-18 LYNCH PIN	2
36	R21335	90 DEGREE RESTRICTOR	1
37	R02043	1/2 X 3/8 BUSHING	4
38	R21366	3/8 X 90 DEGREE HYD STREET ELBOW	1
39	R20803	3/8-18 NPT SOLID MALE STEM	4
40	R20805	FERRULE	4
41	R21342	1/2 PIONEER COUPLER	2
42	R07828	1" FLAT WASHER	2
43	R07637	1/2 X 1-13 UNC HEX HD BOLT	2
44	R07785	1/2-13 UNC HEX NUT	10
45	R09506	CONTROL VALVE STICKER	1
46	R08173	'U' BOLT 1/2-13 UNC	4
47	R07805	1/2" LOCK WASHER	8

KEY	PART #	MFG #	DESCRIPTION	TECH. DATA	QTY
1	R20382	3.4x0.6201	END YOKE	1.750-27 SPL QD	1
2	R20385	HM.188	CROSS & BEARING KIT		2
3	R21560	3.82.448X03404	YOKE & BAR ASSY		1
4	R21519	27958400	SHIELD BEARING		2

5	R21521	383333	OUTER DECAL ON ITEM 6		1
6	R21558	229265X0.20	OUTER SHIELD ASSY	L = 737 MM	1
7	R21559	229266X0.8	INNER SHIELD ASSY	L = 749 MM	1
8	R21517	27961600	SLEEVE BEARING		4

9	R21523	383334	INNER DECAL		1
10	R21557	229028X0.3030	SLEEVE, TUBE & PLATE ASSY		1
11	R21555	3.4X0.1523	YOKE & FLANGE PLATE ASSY	1.375-6 SPL	1
12	R21553	3.4X010711	END YOKE - 540 RPM	1.375-6INV.SPL.QD	1

	R21556	3.4X010731	END YOKE - 1000 RPM	1.375-21INV.SP.QD	1
13	R21526	27942600	ZERK		2
14	R07613	50039700.18	5/16 X 2 HEX BOLT	GR. 5	2
15	R07782	27890500	5/16 HEX NUT		2

16	R20395	3027200.4	THUST WASHER		1
17	R20393	27877000	RETAINING RING		1
18	R20387	3.1600.203	SHIELD SUPPORT BEARING		1
19	R21528	229291X0	Q.D. PIN KIT - IN ITEM		1

