

Office Copy 17
June 25, 2004 ~~Final~~
July 19 - 8 made
Sept 27 - 10 "
Nov 19 - 9 "
Apr 7/05 - 3 "
Apr 13/05 - 5 "
May 5/05 - 6 "

Date Purchased _____ Machine Serial No. _____

Size of Pump _____ Options _____

H5000

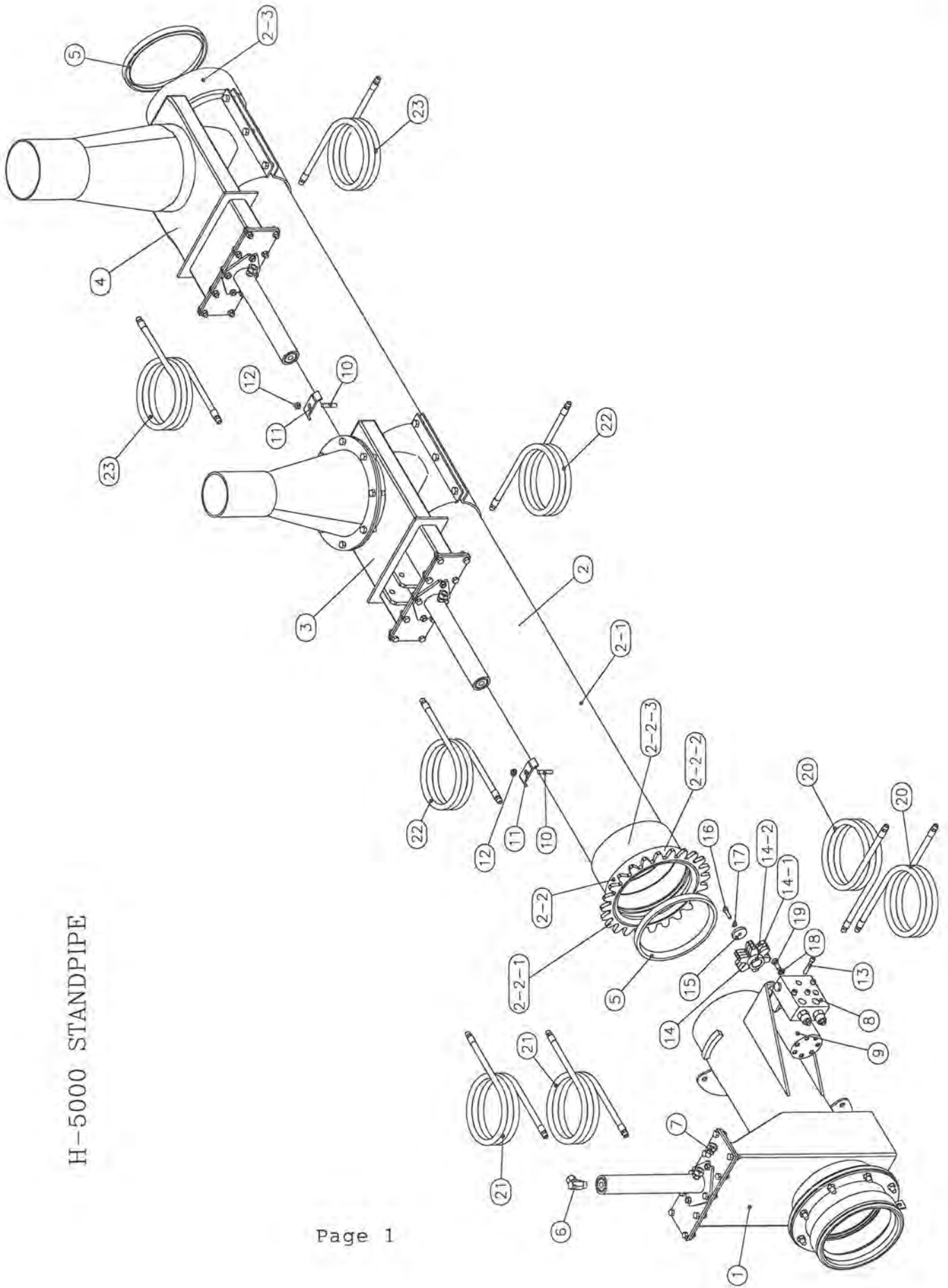
HUSKY LIQUID MANURE PUMP

Please order parts by number.

OPERATING INSTRUCTIONS:

1. Do not leave pump in manure pit - remove pump from pit - wash off and cover with old oil or diesel fuel.
2. Do not over rev. tractor while pumping as discharge spout will lift into the air. If pumping fast tie down spout.
3. The (Urethane) marine bearing at the bottom of the pump is lubricated with manure or water. If the level of the liquid is below the bearing and you are running for long periods put a water hose in the top of standpipe.
4. Always fill all hydraulic motors and cylinders with oil before installing in pit.
5. EXTREME DANGER - Never enter a dirty manure spreader or storage tank - one breath of hydrogen sulphide gas is enough to kill. Have a ladder in your pit, so that if by accident you should fall in, you can get out again. Keep all lids closed and open pits fenced to keep children and animals out.
6. For open centre hydraulic tractors, use short plug on right hand end of hydraulic valve. For closed centre hydraulics use long plug with O Ring. (Oil must flow in left hand end of valve).

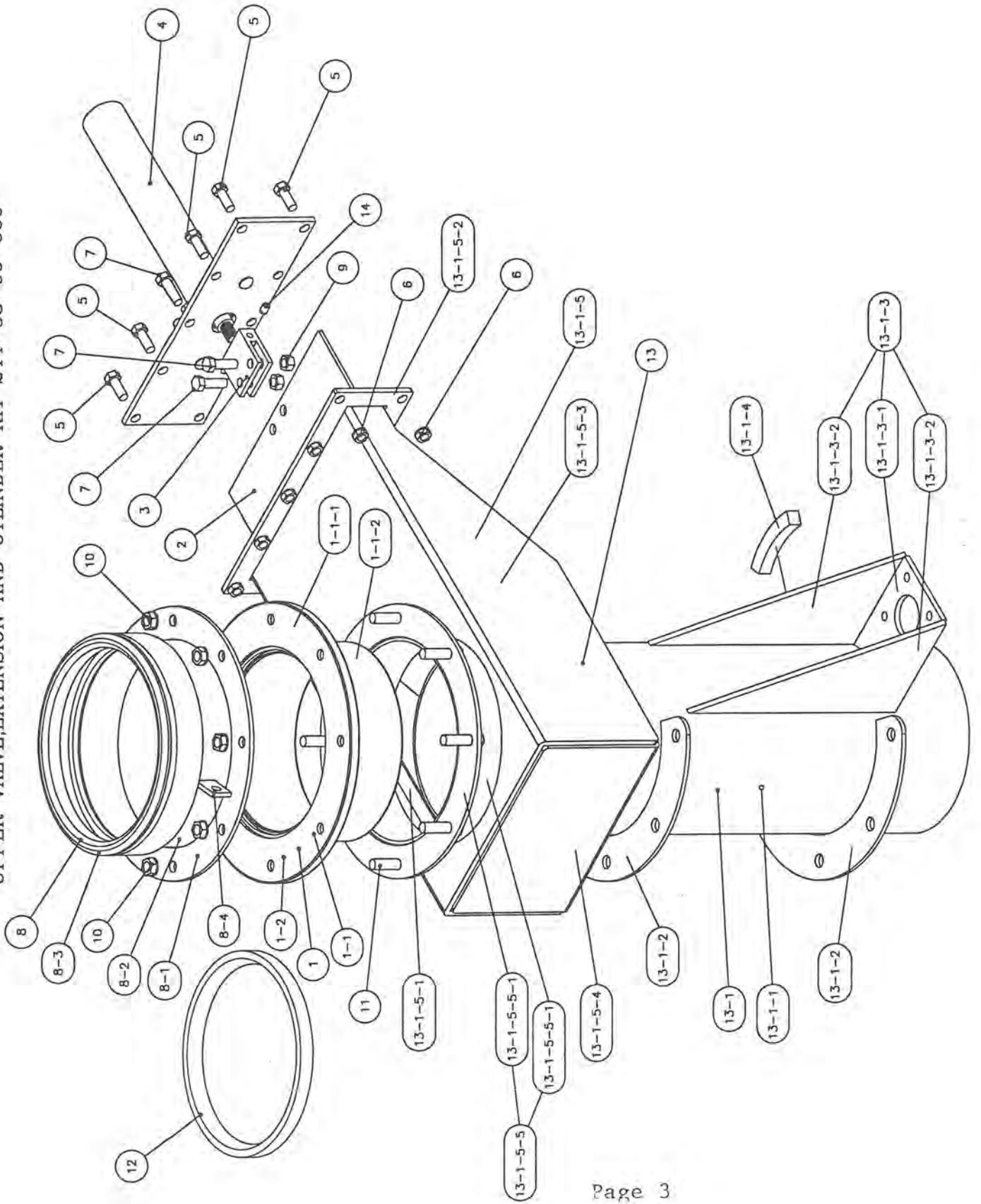
H-5000 STANDPIPE



H-5000 STANDPIPE

ITEM	NAME	DESCRIPTION	QTY
1	244-58-00-000	UPPER VALVE AND EXTENSION PIPE KIT	1
2	242-43-00-000	8 FT STANDPIPE ASSY	1
2-1	242-43-00-369	8FT STANDPIPE	1
	244-40-00-371	10FT STANDPIPE	0
	246-41-00-372	12FT STANDPIPE	0
2-2	244-30-01-000	LOWER EXTENSION PIPE ASSY	1
2-2-1	244-30-01-347	LARGE TURN SPROCKET	1
2-2-2	242-09-09-049	COUPLING BASE	1
2-2-3	242-09-09-048	EXTENSION PIPE	1
2-3	242-43-00-370	LOWER GASKET SLEEVE	1
2	244-40-00-000	10 FT STANDPIPE ASSY	0
2	246-41-00-000	12 FT STANPIPE ASSY	0
3	244-15-00-000	UPPER AGITATOR VALVE COMPLETE	1
4	244-16-00-000	LOWER AGITATOR VALVE COMPLETE	1
5	R02360	8" RUBBER GASKET	2
6	R21366	1/2 X 90 STR ELBOW	1
7	R21287	1/4M X 3/8 SWIVEL ADAPTOR	1
8	R22256	OVER CENTER VALVE-M&S MOTOR	1
9	R22255	HYDRAULIC MOTOR	1
10	R08302	3/8-16 UNC X 1 5/8" WELD STUD	2
11	290-00-00-167	HYDRAULIC HOSE CLIP	2
12	R07794	3/8" FLANGE NUT	2
13	R08334	5/16-18 UNC X 2" CAP SCREW	4
14	290-25-00-000	6 TOOTH SPROCKET ASSY	1
14-1	290-25-00-097	SPROCKET SLEEVE	1
14-2	290-25-00-096	6 TOOTH SPROCKET	3
15	290-00-00-098	SLEEVE CAP	1
16	R07601	1/4 X1" HEX BOLT	1
17	R07801	1/4" LOCK WASHER	1
18	R07803	3/8" LOCK WASHER	4
19	R07670	3/8 X 7/8" HEX BOLT	4
20	244-70-00-000	HYDRAULIC HOSE ASSY-CONTROL TO ROTATE-8 FT	2
20	244-71-00-000	HYDRAULIC HOSE ASSY-CONTROL TO ROTATE-10 FT	0
20	244-72-00-000	HYDRAULIC HOSE ASSY-CONTROL TO ROTATE-12 FT	0
20	242-60-01-000	HYDRAULIC HOSE ASSY-CONTROL TO ROTATE ON ALL 2 PT HITCH PUMPS	0
21	244-73-00-000	HYDRAULIC HOSE ASSY-CONTROL TO DISCHARGE-8 FT	2
21	244-68-00-000	HYDRAULIC HOSE ASSY-CONTROL TO DISCHARGE-10 FT	0
21	244-75-00-000	HYDRAULIC HOSE ASSY-CONTROL TO DISCHARGE-12 FT	0
21	242-60-02-000	HYDRAULIC HOSE ASSY-CONTROL TO DISCHARGE ON ALL 2 PT HITCH PUMPS	0
22	244-76-00-000	HYDRAULIC HOSE ASSY-CONTROL TO TOP TEE-8 FT	2
23	244-77-00-000	HYDRAULIC HOSE ASSY-CONTROL TO BOTTOM TEE-8 FT	2
23	244-78-00-000	HYDRAULIC HOSE ASSY-CONTROL TO BOTTOM TEE-10 FT	0
23	244-79-00-000	HYDRAULIC HOSE ASSY-CONTROL TO BOTTOM TEE-12 FT	0

UPPER VALVE, EXTENSION AND CYLINDER KIT 244-58-00-000



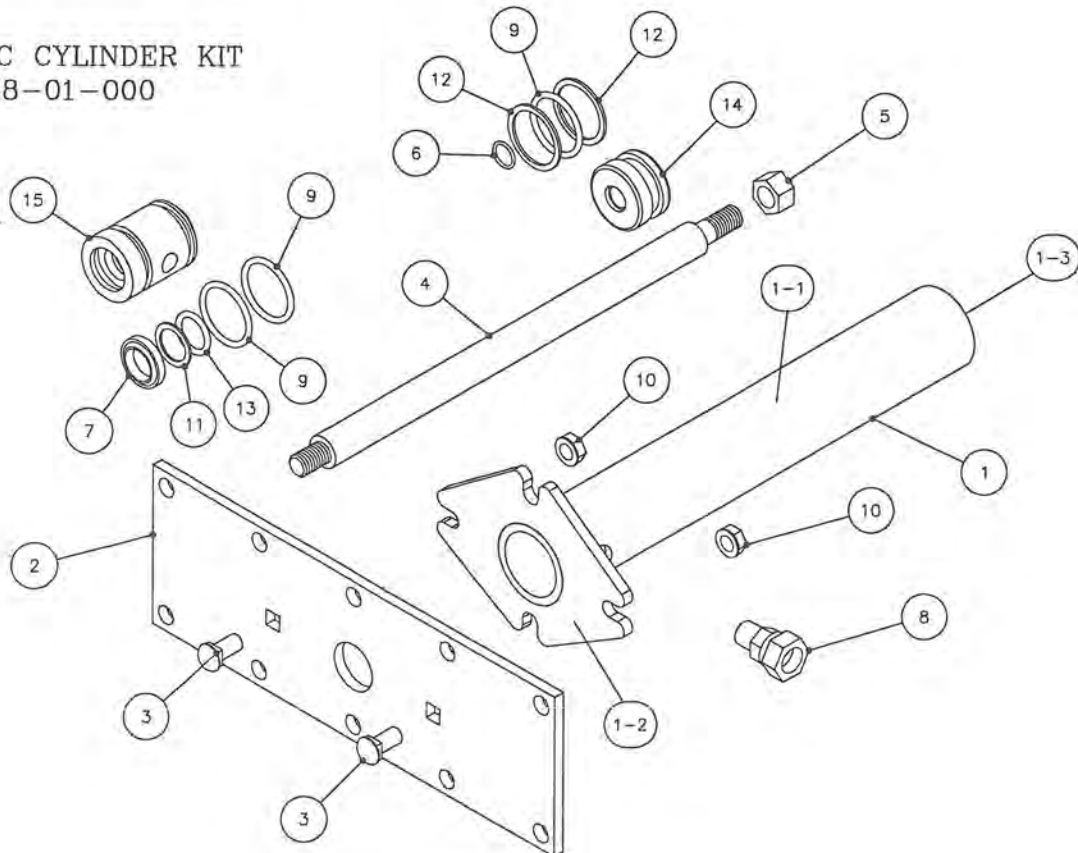
UPPER VALVE, EXTENSION AND CYLINDER KIT 244-58-00-000

Item	Name	Description	Qty
1	244-58-05-000	INNER SEALING TUBE W/URETHENE ASSY	1
1-2	R20217	URETHENE COATING	1
1-1	244-58-04-000	INNER SEALING TUBE WELDED ASSY	1
1-1-1	244-58-04-390	INNER SEALING TUBE FLANGE	1
1-1-2	244-58-04-391	INNER SEALING TUBE	1
2	244-58-00-392	VALVE GATE	1
3	244-58-00-393	YOKE	1
4	244-58-01-000	HYDRAULIC CYLINDER KIT	1
5	R07619	3/8 X 1 HEX BOLT	8
6	R07794	3/8" FLANGE NUT	10
7	R07675	3/8 X 1 1/4" HEX BOLT	4
8	244-58-06-000	FLANGED EXTENSION PIPE ASSY	1
8-1	244-58-03-388	OUTER EXTENSION FLANGE	1
8-2	244-58-06-395	EXTENSION PIPE	1
8-3	244-07-01-306	COUPLING BASE	1
8-4	250-96-00-298	CHAIN LUG	1
9	R07886	3/8" 2-WAY LOCK NUT	2
10	R07879	7/16-14 UNC FL NUT	8
11	R07629	7/16 X 1 1/2" HEX BOLT	8
12	R02360	8" RUBBER GASKET	1
13	244-58-02-000	UPPER VALVE AND STANDPIPE ASSY	1
13-1	244-58-07-000	FIXED STANDPIPE ASSY	1
13-1-1	244-58-07-396	FIXED STANDPIPE	1
13-1-2	242-10-10-053	STANDPIPE HOLD DOWN BRKT	2
13-1-3	244-29-01-000	HYDRAULIC MOTOR MOUNT ASSY	1
13-1-3-1	244-29-01-362	HYDRAULIC MOTOR MOUNT	1
13-1-3-2	244-29-01-363	MOTOR MOUNT SIDES	2
13-1-4	244-38-00-387	STOP RING	1
13-1-5	244-58-08-000	UPPER VALVE BODY ASSY	1
13-1-5-1	244-38-02-382	GUIDE BAR	2
13-1-5-2	244-38-02-368	FLANGE	1
13-1-5-3	244-38-02-366	VALVE TOP PLATE	1
13-1-5-4	244-38-02-367	VALVE LOWER PLATE	1
13-1-5-5	244-58-03-000	OUTER EXTENSION PIPE ASSY	1
13-1-5-5-1	244-58-03-389	OUTER EXTENSION PIPE	1
13-1-5-5-2	244-58-03-388	OUTER EXTENSION FLANGE	1
14	R07926	5/16-18 X 1/4" S.S. SET SCREW	1

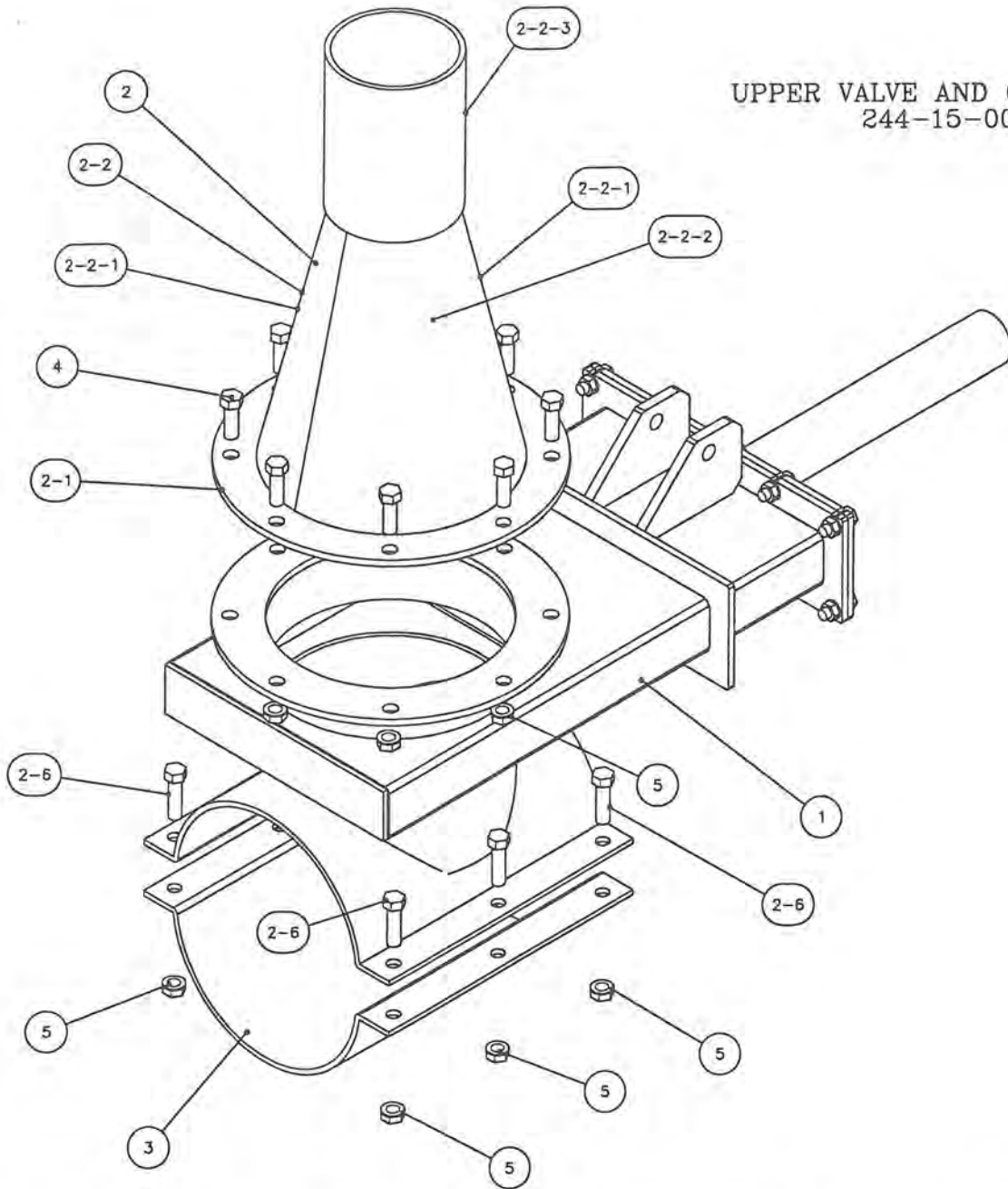
HYDRAULIC CYLINDER KIT 244-58-01-000

Item	Name	Description	Qty
1	244-58-09-000	HYDRAULIC CYLINDER TUBE ASSY	1
1-3	340-36-18-431	END CAP	1
1-2	244-26-01-344	CYLINDER TUBE FLANGE	1
1-1	244-26-01-343	HYD CYLINDER TUBE	1
2	244-26-00-345	FLANGE	1
3	R07776	3/8 X 3/4" CARRIAGE BOLT	2
4	244-58-01-394	HYDRAULIC CYLINDER SHAFT	1
5	R07885	1/2" -2 WAY LOCK NUT	1
6	R20865	O-RING #11-014	1
7	R20774	ROD WIPER	1
8	R21287	1/4M X 3/8 SWIVEL ADAPTOR	1
9	R20866	O-RING #11-218	3
10	R07794	3/8" FLANGE NUT	2
11	R20862	BACKUP #210	1
12	R20867	BACKUP RING #8-218	2
13	R20771	O-RING #11-210	1
14	340-36-00-435	CYLINDER PLUNGER	1
15	340-36-00-434	WIPER BLOCK	1

HYDRAULIC CYLINDER KIT 244-58-01-000

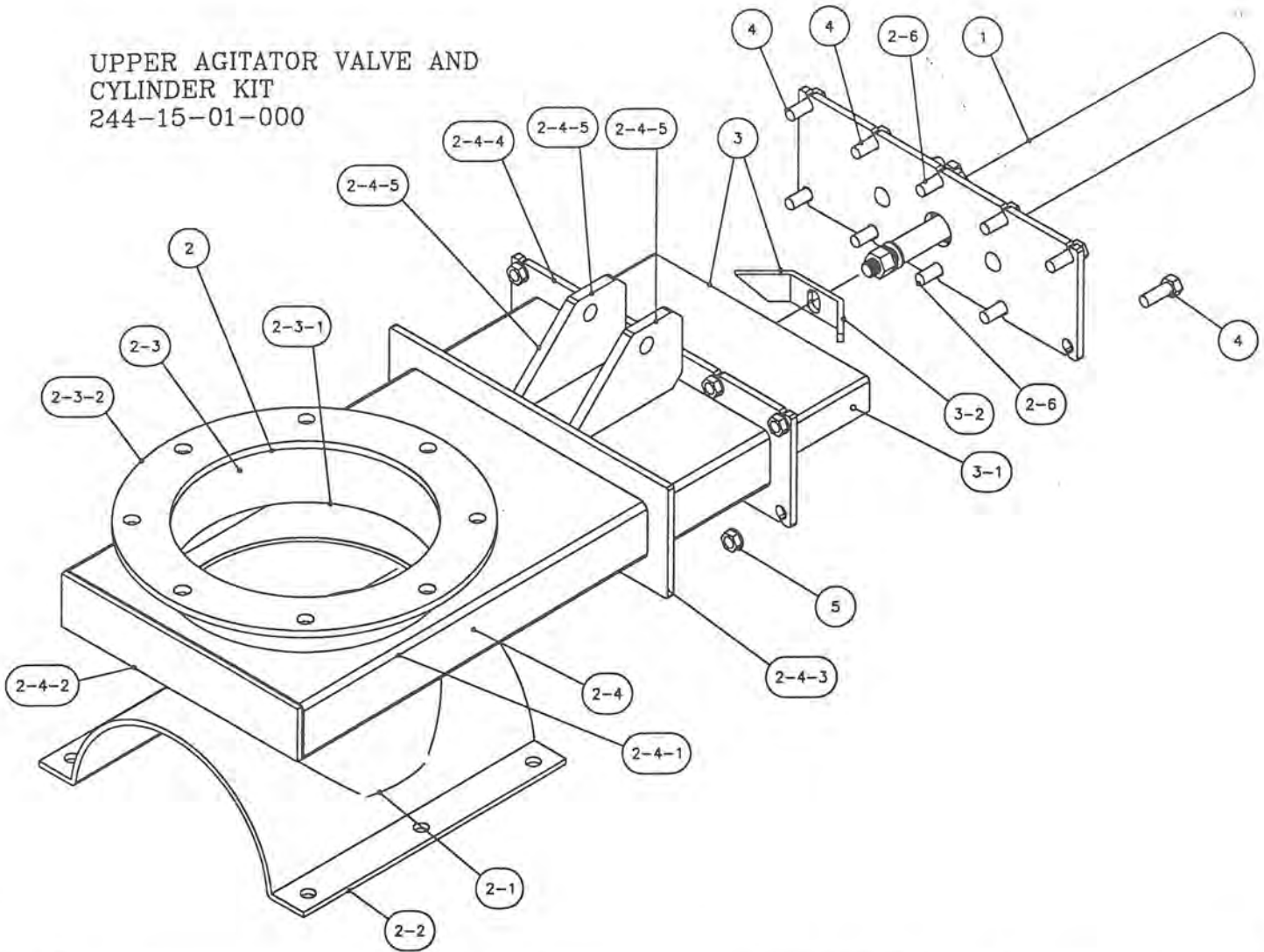


UPPER VALVE AND CONE COMPLETE
244-15-00-000



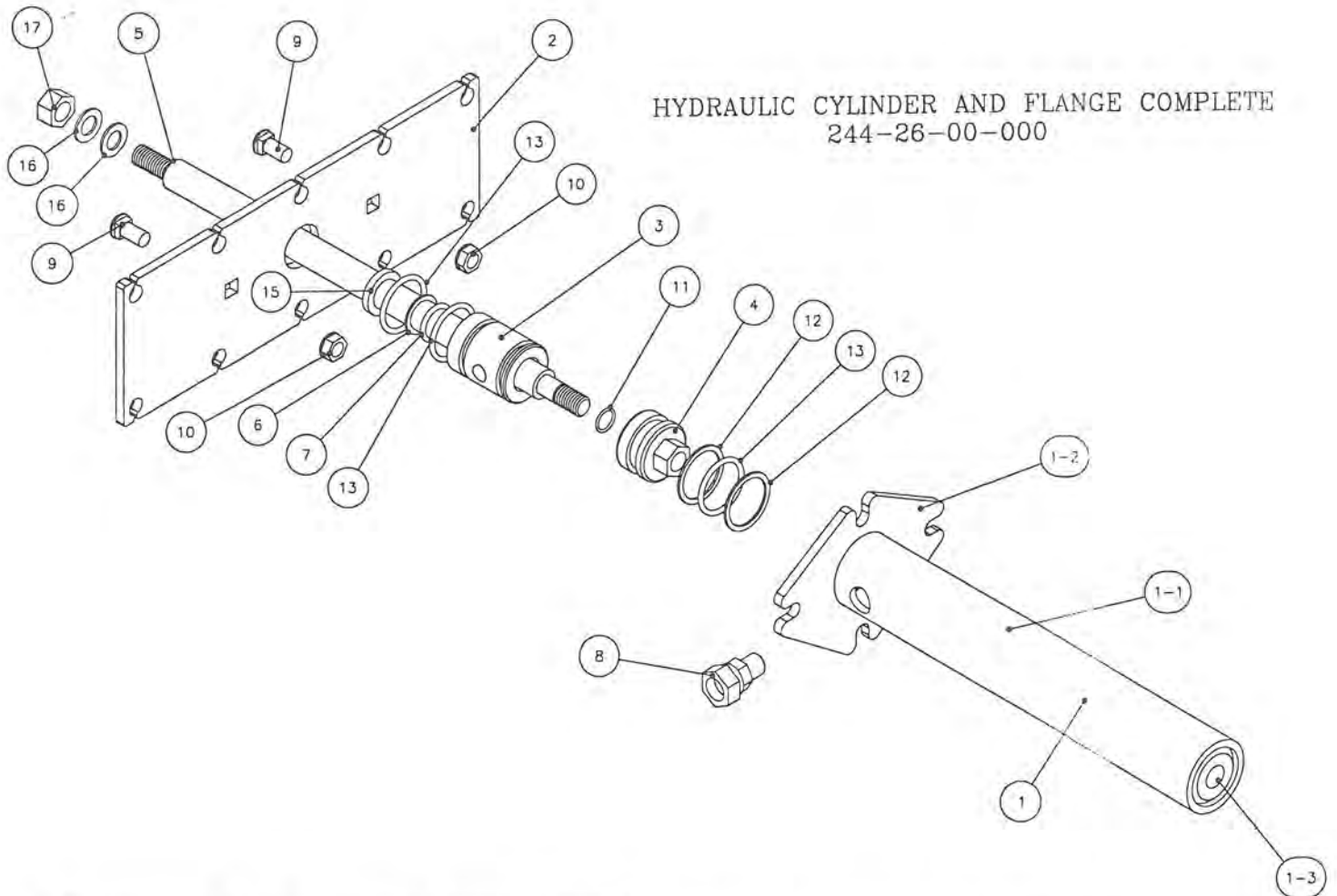
UPPER VALVE AND CONE COMPLETE 244-15-00-000			
Item	Name	Description	Qty
1	244-15-01-000	UPPER AGITATOR VALVE AND CYLINDER ASSY	1
2	242-20-53-000	UPPER CONE AND FLANGE ASSY	1
2-1	242-58-48-285	FLANGE	1
2-2	242-20-29-000	UPPER CONE ASSY	1
2-2-1	242-20-29-244	CONE	2
2-2-2	242-07-00-046	CONE RIBS	4
2-2-3	242-20-53-397	UPPER CONE EXT PIPE	1
2-6	R07629	7/16 X 1 1/2" HEX BOLT	6
3	242-00-00-221	CLAMP ON BRKT	1
4	R07671	7/16 X 1 1/4" HEX BOLT	8
5	R07879	7/16-14 UNC FL NUT	14

UPPER AGITATOR VALVE AND
CYLINDER KIT
244-15-01-000



UPPER AGITATOR VALVE AND CYLINDER KIT

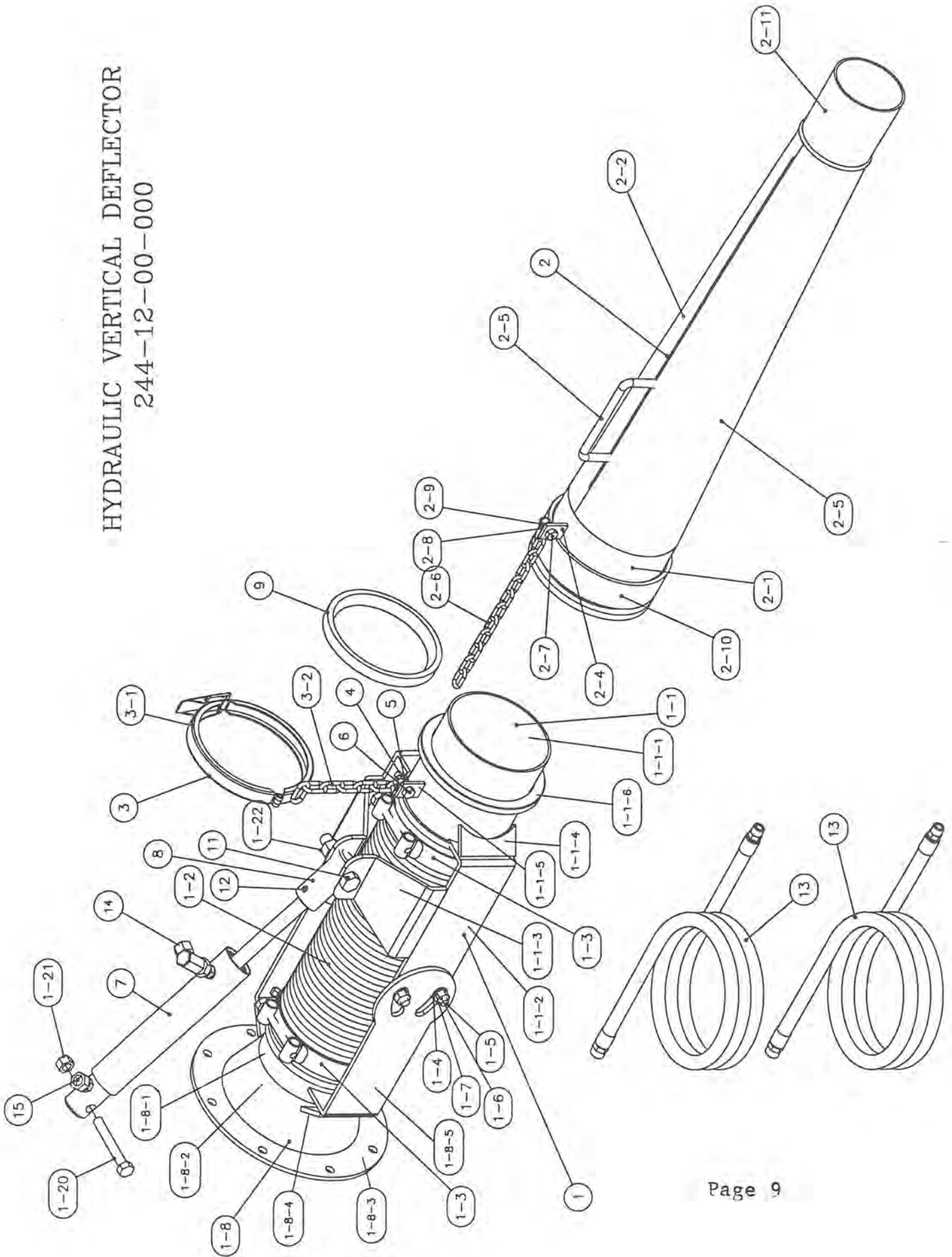
Item	Name	Description	Qty
1	244-26-00-000	HYDRAULIC CYLINDER KIT	1
2-1	242-93-00-219	TEE SIDE	1
2-2	242-93-00-220	CONE CLAMP ON BRKT	1
2-3	242-20-51-000	UPPER CONE FLANGE ASSY	1
2-4	244-15-03-000	UPPER AGITATOR VALVE BODY ASSY	1
2-3-1	242-93-23-224	CONE MOUNT	1
2-3-2	242-58-48-285	FLANGE	1
2-4-1	244-14-01-323	VALVE BODY	1
2-4-2	242-97-00-230	VALVE END PLATE	1
2-4-3	244-14-01-324	VALVE BODY SUPPORT	1
2-4-4	242-97-00-231	VALVE BODY FLANGE	1
2-4-5	244-15-03-430	CYLINDER FLANGE	2
2-6	R07675	3/8 X 1 1/4" HEX BOLT	2
2	244-15-02-000	UPPER VALVE AND FLANGE ASSY	1
3	242-36-42-000	VALVE GATE ASSY	1
3-1	242-36-42-268	VALVE GATE	1
3-2	242-36-42-269	VALVE GATE BRKT	1
4	R07619	3/8 X 1" HEX BOLT	8
5	R07794	3/8" FLANGE NUT	10



HYDRAULIC CYLINDER AND FLANGE COMPLETE
244-26-00-000

HYDRAULIC CYLINDER AND FLANGE COMPLETE 244-26-00-000			
Item	Name	Description	Qty
1	244-26-01-000	HYDRAULIC CYLINDER TUBE ASSY	1
1-1	244-26-01-343	HYD CYLINDER TUBE	1
1-2	244-26-01-344	CYLINDER TUBE FLANGE	1
1-3	340-36-18-431	END CAP	1
2	244-26-00-345	FLANGE	1
3	340-36-00-434	WIPER BLOCK	1
4	340-36-00-435	CYLINDER PLUNGER	1
5	244-14-02-325	CYLINDER SHAFT	1
6	R20862	BACKUP #210	1
7	R20771	O-RING #11-210	1
8	R21287	1/4M X 3/8 SWIVEL ADAPTOR	1
9	R07776	3/8 X 3/4" CARR BOLT	2
10	R07794	3/8" FLANGE NUT	2
11	R20865	O-RING #11-014	1
12	R20867	BACKUP RING #8-218	2
13	R20866	O-RING #11-218	3
14	R07885	1/2" -2 WAY LOCK NUT	1
15	R20774	ROD WIPER	1
16	R08222	1/2" SAE S.S. FLAT WASHER	2
17	R08229	1/2" S.S. NYLOC HEX NUT	1

HYDRAULIC VERTICAL DEFLECTOR
244-12-00-000

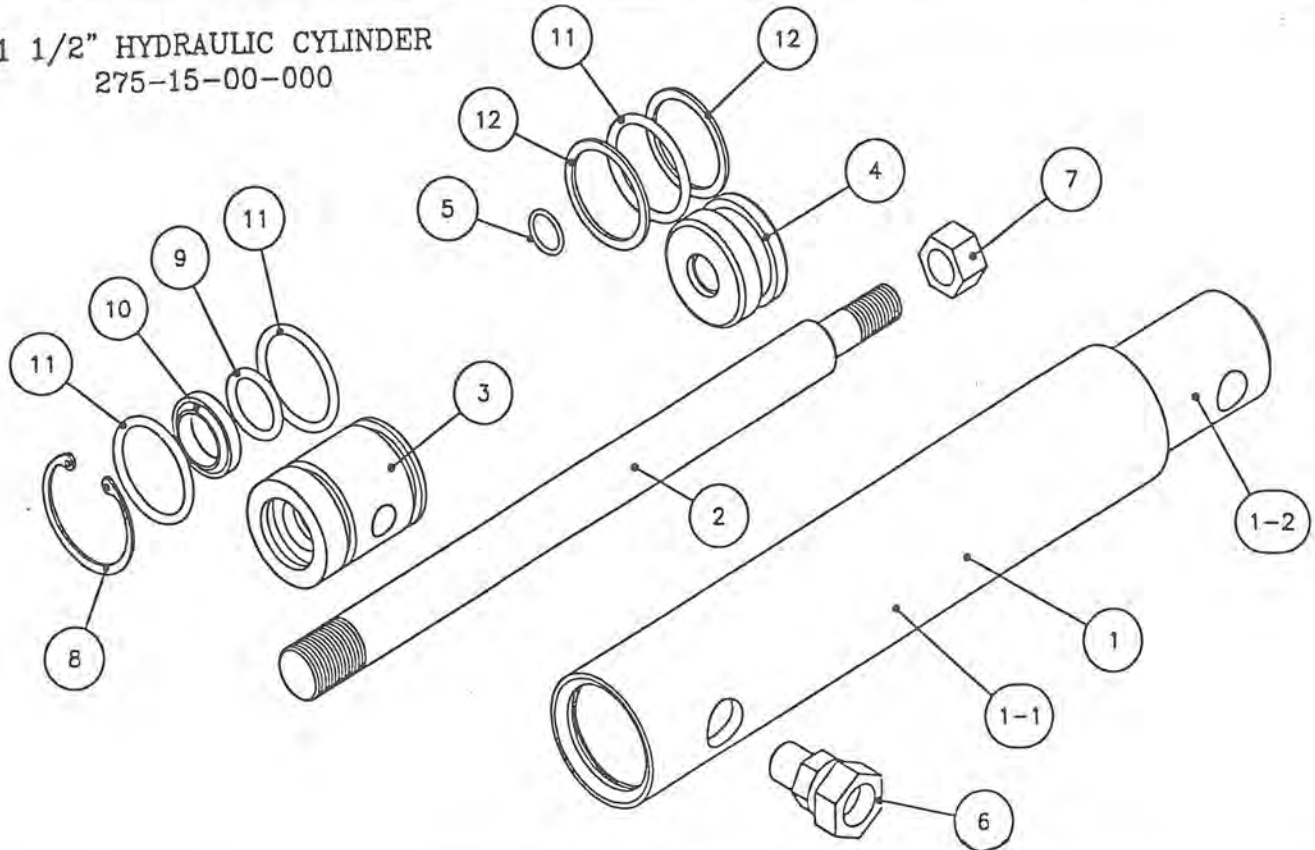


HYDRAULIC VERTICAL DEFLECTOR KIT

Item	Name	DESCRIPTION	Qty
1	244-12-08-000	DEFLECTOR MECHANISM ASSY	1
1-1	244-12-02-000	CYLINDER BRKT ASSY	1
1-1-1	244-12-01-309	EXTENTION TUBE	1
1-1-2	244-05-46-277	INNER PIVOT BRACKET	2
1-1-3	244-12-02-310	CYLINDER BRACKET	2
1-1-4	244-12-02-312	GUSSET	2
1-1-5	250-96-00-298	CHAIN LUG	1
1-1-6	250-95-00-295	CLAMP RING	1
1-2	270-63-00-187	FLEX HOSE	1
1-3	R02482	6" BAUER SUPER CLAMP	2
1-4	244-05-00-281	SPACER PIPE	4
1-5	R07732	7/16 X 1 1/4" CARRIAGE BOLT	4
1-6	R08178	7/16" HEX NUT	4
1-7	R07824	7/16" FLAT WASHER	4
1-8	244-12-01-000	CONE ASSY 8" TO 6"	1
1-8-1	244-12-03-313	CONE MALE END	1
1-8-2	270-63-34-188	8" TO 6" CONE (HALF)	1
1-8-3	242-58-48-285	FLANGE	1
1-8-4	244-12-01-332	GUSSET	2
1-8-5	244-05-43-276	MAIN PIVOT BRKT	2
1-9	R07601	1/4 X 1" HEX BOLT	4
1-10	R07821	1/4" FLAT WASHER	4
1-11	R07781	1/4" NC HEX NUT	4
1-20	R07642	1/2 X 3 1/2" HEX BOLTS	1
1-21	R07885	1/2" 2 WAY LOCK NUT	1
1-22	R07887	5/8 2 WAY LOCK NUT	1
2	244-12-07-000	CONE ASSY	1
2-1	244-12-02-311	FILLER PIPE	1
2-2	244-12-03-314	CONE HALF	2
2-4	250-96-00-298	CHAIN LUG	1
2-5	244-12-03-341	CONE HANDLE	1
2-6	244-12-03-316	RETAINING CHAIN	1
2-7	R07619	3/8 X 1 HEX BOLT	1
2-8	R07803	3/8" LOCK WASHER	1
2-9	R07783	3/8" HEX NUT	1
2-10	250-96-01-296	COUPLING BASE TUBE	1
2-11	244-12-05-319	STUB TUBE	1
3	250-97-00-000	6" CLAMP AND CHAIN ASSY	1
3-1	R02487	6" RINGLOCK CLAMP	1
3-2	250-97-00-297	CLAMP CHAIN	1
4	R07783	3/8" HEX NUT	1
5	R07803	3/8" LOCK WASHER	1
6	R07675	3/8 X 1 1/4" HEX BOLT	1
7	275-15-00-000	1 1/2" HYDRAULIC CYLINDER	1
8	242-58-00-293	CYLINDER SHAFT LUG	1
9	R02366	6" RUBBER GASKET	1
11	R07649	5/8 X 3" HEX BOLT	1

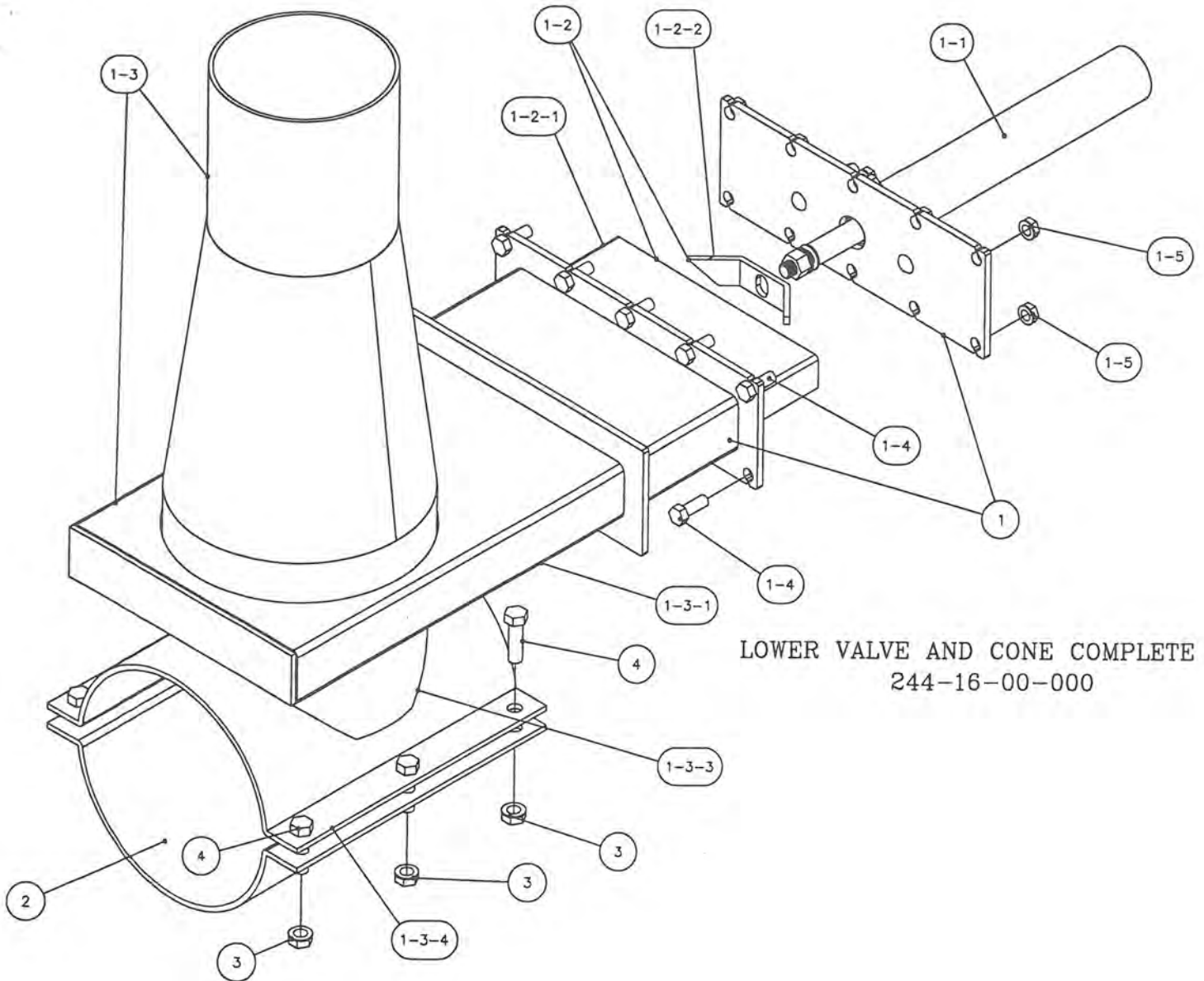
Item	Name	DESCRIPTION	Qty
12	R07926	5/16-18 X 1/4" SS SET SCREW	1
13	244-68-00-000	HYDRAULIC HOSE ASSY-10FT PUMP	2
13	244-69-00-000	HYDRAULIC HOSE ASSY-12FT PUMP	2
13	244-67-00-000	1/4" HYDRAULIC HOSE ASSY	2
14	R21366	3/8" X 90 STEEL STREET ELBOW	1
15	R21287	1/4M X 3/8" F STEEL SWIVEL ADAPTOR	1

1 1/2" HYDRAULIC CYLINDER
275-15-00-000



1 1/2" HYDRAULIC CYLINDER COMPLETE 275-15-00-000

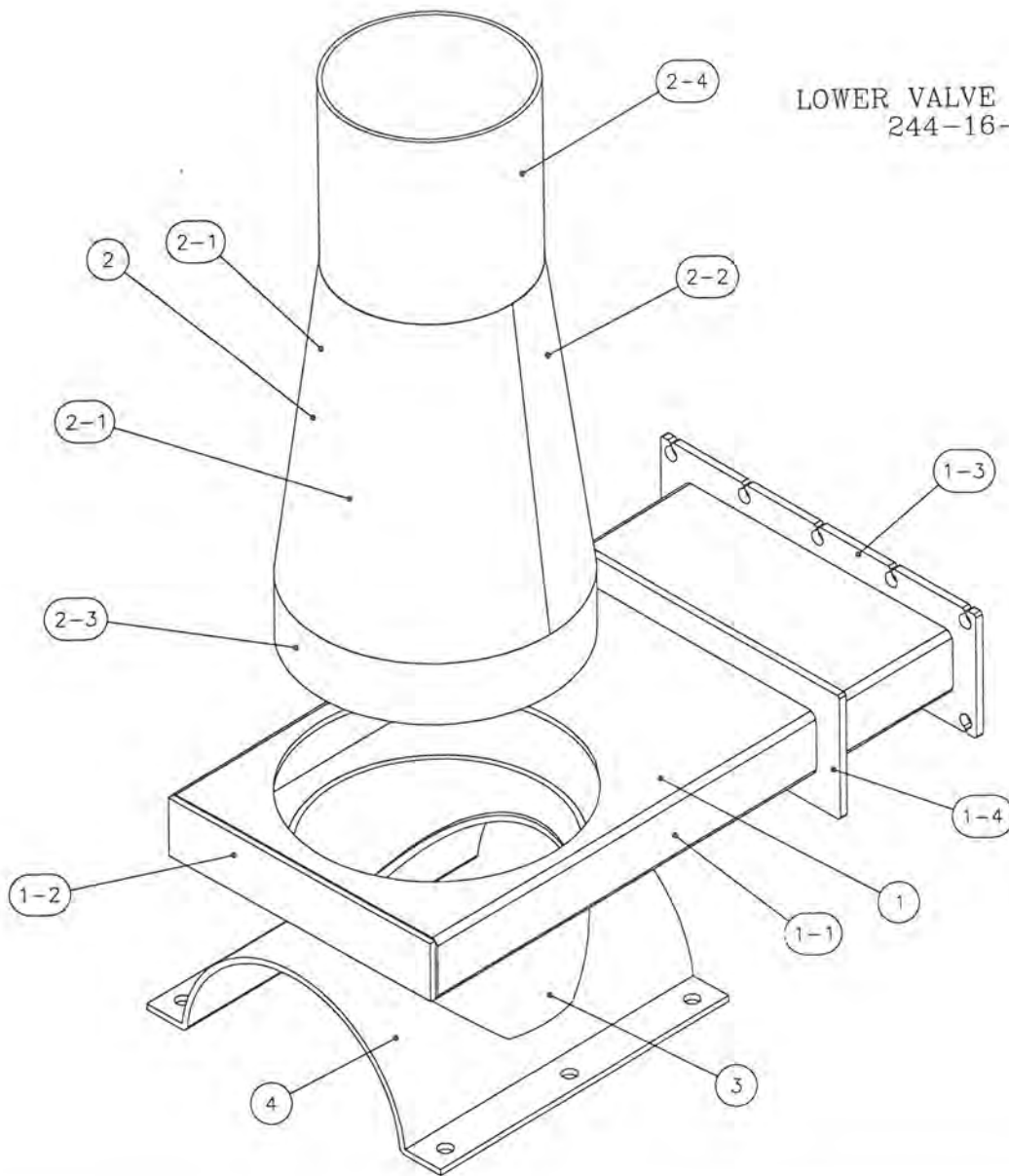
Item	Name	Material	Qty
1	275-14-00-000	CYLINDER TUBE W/ LUG ASSY	1
1-1	250-70-28-155	HYDRAULIC CYLINDER TUBE	1
1-2	275-14-00-076	CYLINDER END CAP	1
2	275-15-00-122	HYDRAULIC CYLINDER SHAFT	1
3	340-36-00-434	WIPER BLOCK	1
4	340-36-00-435	CYLINDER PLUNGER	1
5	R20865	O-RING #11-014	1
6	R21287	1/4M X 3/8 SWIVEL ADAPTOR	1
7	R07885	1/2" -2 WAY LOCK NUT	1
8	R07967	1 1/2" R3000X150 INTERNAL SNAP RING	1
9	R20771	O-RING #11-210	1
10	R20774	3/4" HYTREL ROD WIPER	1
11	R20866	O-RING #11-218	3
12	R20867	BACKUP RING #8-218	2



LOWER VALVE AND CONE COMPLETE
244-16-00-000

LOWER VALVE AND CONE COMPLETE 244-16-00-000			
Item	Name	Description	Qty
1	244-16-02-000	LOWER VALVE AND CYLINDER COMPLETE	1
1-1	244-26-00-000	HYDRAULIC CYLINDER KIT	1
1-2	242-36-42-000	VALVE GATE ASSY	1
1-2-1	242-36-42-268	VALVE GATE	1
1-2-2	242-36-42-269	VALVE GATE BRKT	1
1-3-1	244-14-01-000	VALVE BODY ASSY	1
1-3-2	242-93-40-000	LOWER CONE AND MOUNT ASSY	1
1-3-3	242-93-00-219	TEE SIDE	1
1-3-4	242-93-00-220	CONE CLAMP ON BRKT	1
1-3	244-16-01-000	LOWER VALVE BODY AND CONE ASSY	1
1-4	R07619	3/8 X 1" HEX BOLT	10
1-5	R07794	3/8" FLANGE NUT	10
2	242-00-00-221	CLAMP ON BRKT	1
3	R07879	7/16-14 UNC FL NUT	6
4	R07629	7/16 X 1 1/2" HEX BOLT	6

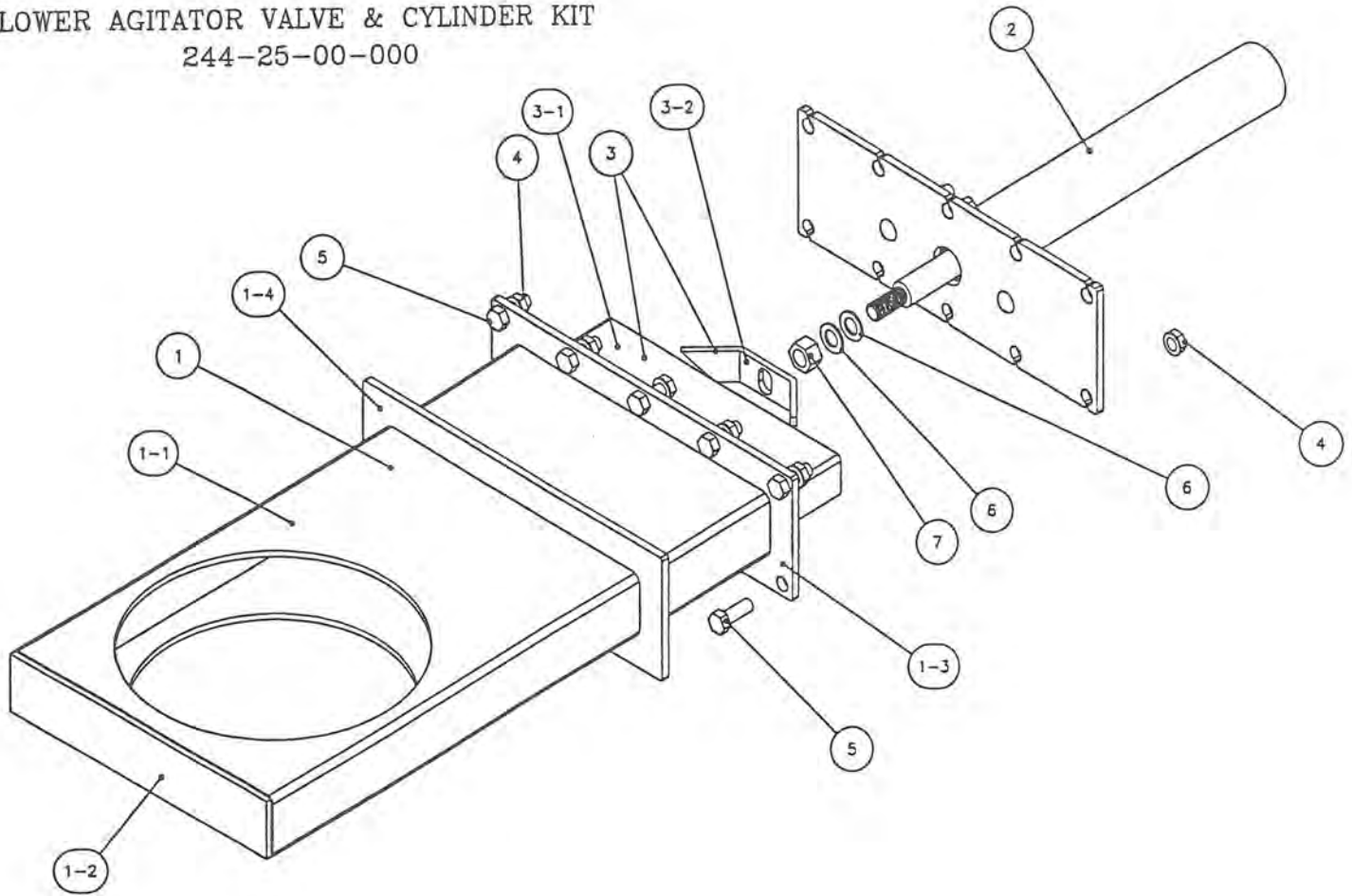
LOWER VALVE BODY AND CONE
244-16-01-000



LOWER VALVE BODY AND CONE 244-16-01-000

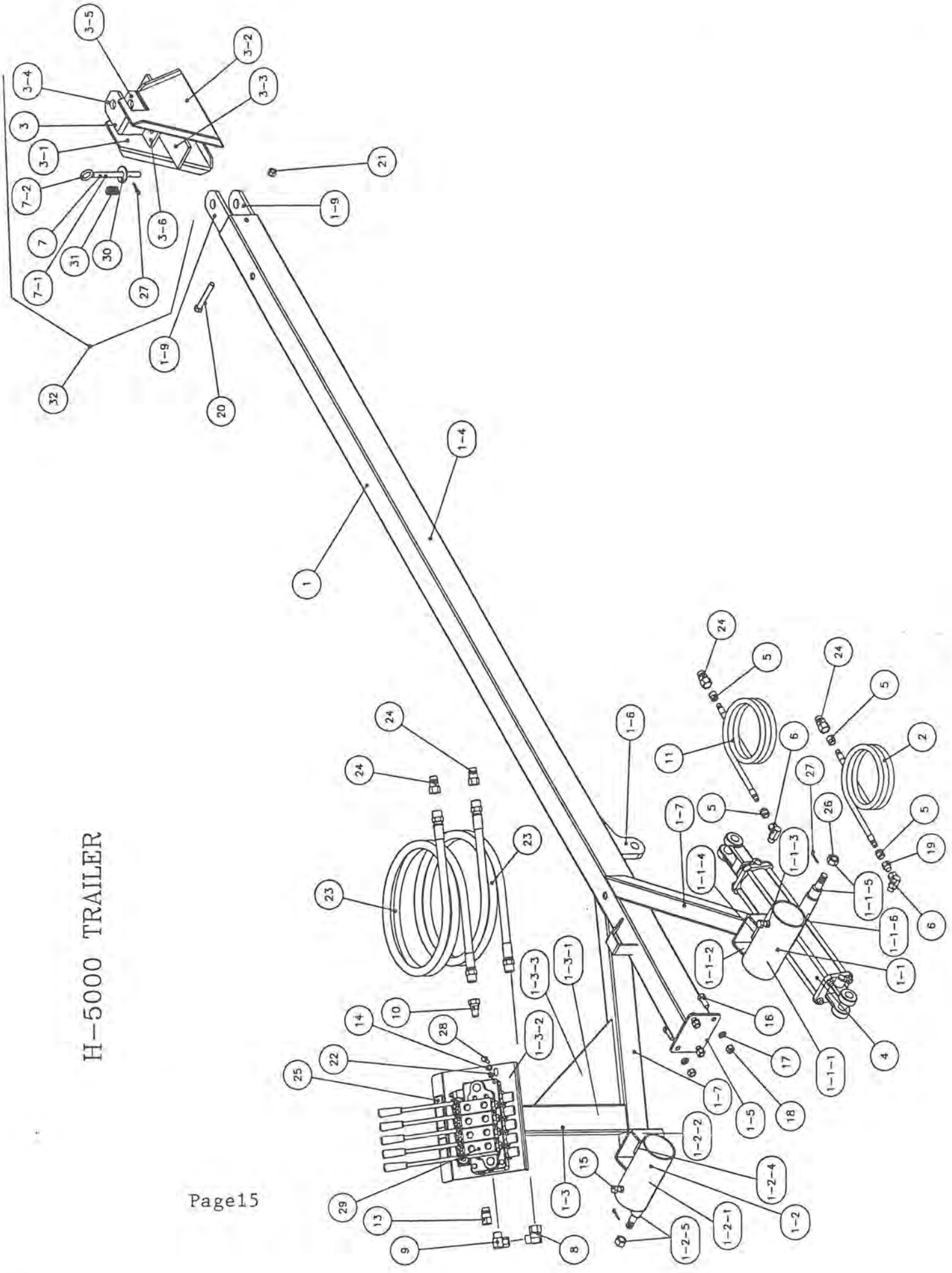
Item	Name	Description	Qty
1	244-14-01-000	VALVE BODY ASSY	1
1-1	244-14-01-323	VALVE BODY	1
1-2	242-97-00-230	VALVE END PLATE	1
1-3	242-97-00-231	VALVE BODY FLANGE	1
1-4	244-14-01-324	VALVE BODY SUPPORT	1
2	242-93-40-000	LOWER CONE AND MOUNT ASSY	1
2-1	242-07-00-046	CONE RIBS	4
2-2	242-93-23-226	DISCHARGE CONE	2
2-3	242-93-23-224	CONE MOUNT	1
2-4	242-93-40-398	LOWER CONE EXTENSION	1
3	242-93-00-219	TEE SIDE	1
4	242-93-00-220	CONE CLAMP ON BRKT	1

LOWER AGITATOR VALVE & CYLINDER KIT
244-25-00-000



LOWER AGITATOR VALVE & CYLINDER KIT 244-25-00-000			
Item	Name	Description	Qty
1	244-14-01-000	VALVE BODY ASSY	1
1-1	244-14-01-323	VALVE BODY	1
1-2	242-97-00-230	VALVE END PLATE	1
1-3	242-97-00-231	VALVE BODY FLANGE	1
1-4	244-14-01-324	VALVE BODY SUPPORT	1
2	244-26-00-000	HYDRAULIC CYLINDER KIT	1
3	242-36-42-000	VALVE GATE ASSY	1
3-1	242-36-42-268	VALVE GATE	1
3-2	242-36-42-269	VALVE GATE BRKT	1
4	R07794	3/8" FLANGE HEX NUT	10
5	R07619	3/8" X 1" HEX BOLT	10
6	R08222	1/2" SAE S.S. FLAT WASHER	2
7	R08229	1/2" S.S. NYLOC HEX NUT	1

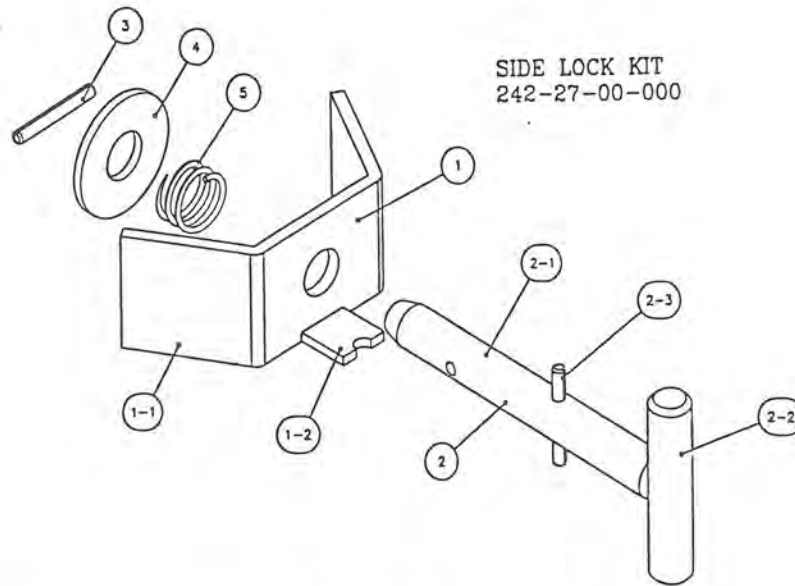
H-5000 TRAILER



TRAILER ASSY

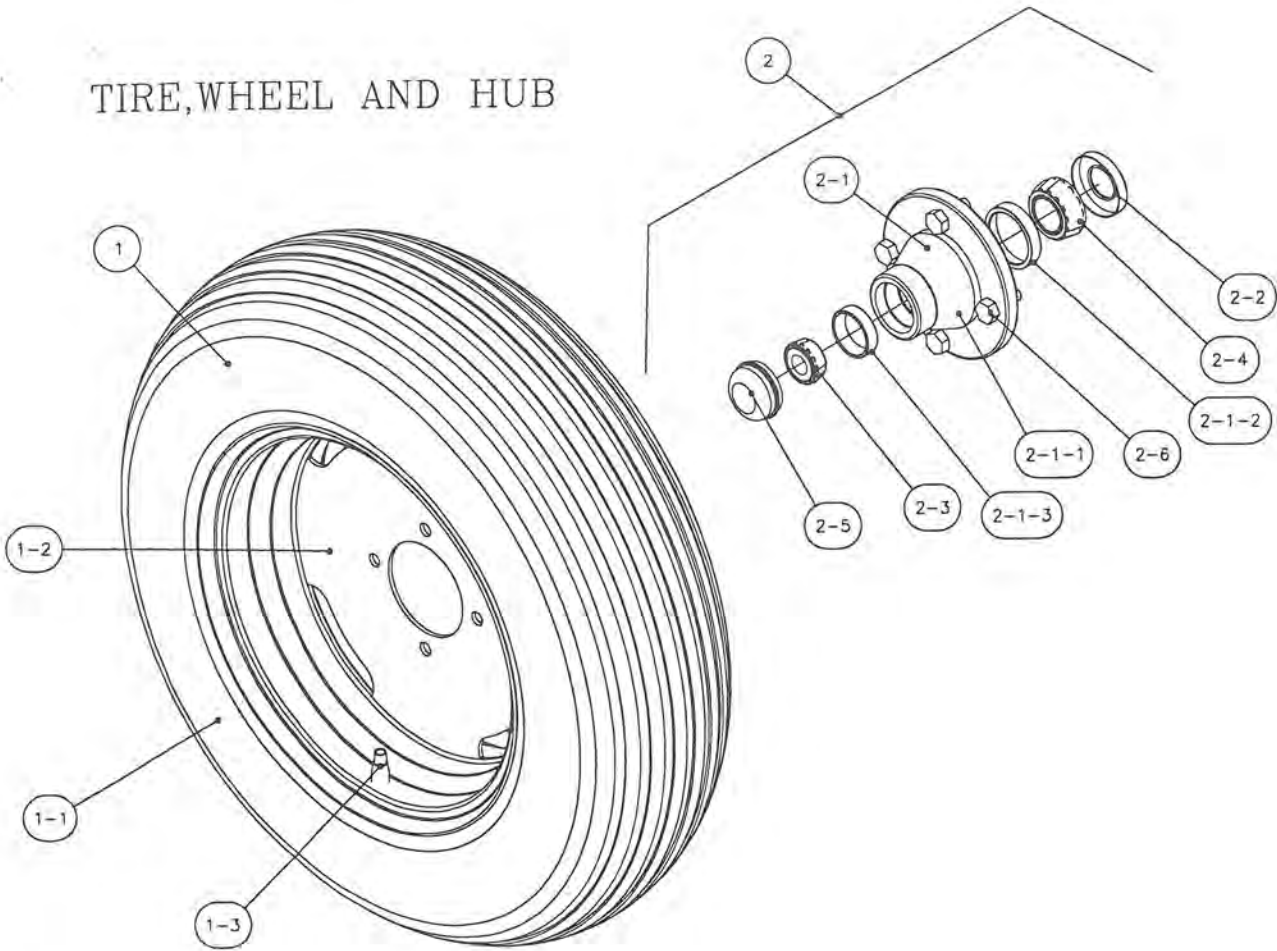
Item	Name	Description	Qty
1	242-89-00-000	TRAILER ASSY	1
1-1	242-18-14-000	RH SPINDLE SLEEVE HOLDER	1
1-1-1	242-18-00-102	OUTER SLEEVE	1
1-1-2	242-18-14-100	AXLE BRACE BRKT	1
1-1-3	R07795	1/2" HEX FLANGE NUT	1
1-1-4	242-18-14-101	REINFORCING BAR	1
1-1-5	R20141	SPINDLE W/ NUT	1
1-1-6	242-89-00-215	SPINDLE REINFORCING BAR	1
1-2	242-18-28-000	LH SPINDLE SLEEVE HOLDER	1
1-2-1	242-18-00-102	OUTER SLEEVE	1
1-2-2	242-18-14-100	AXLE BRACE BRKT	1
1-2-3	R07795	1/2" HEX FLANGE NUT	1
1-2-4	242-18-14-101	REINFORCING BAR	1
1-2-5	R20141	SPINDLE W/ NUT	1
1-2-6	242-89-00-215	SPINDLE REINFORCING BAR	1
1-3	242-18-15-000	CONTROL VALVE STAND ASSY	1
1-3-1	242-18-15-103	CONTROL VALVE STAND TUBE	1
1-3-2	242-18-15-104	CONTROL VALVE PLATE	1
1-3-3	242-18-15-106	STAND TUBE GUSSET	1
1-4	242-18-00-092	TRAILER TUBE	1
1-5	242-18-00-099	TONGUE BRKT	1
1-6	242-18-00-096	CYLINDER GUSSET	1
1-7	242-18-00-093	FRAME TUBE BRACE	2
1-8	242-18-00-095	ROLLER CASE STOP	1
1-9	242-89-00-243	TRAILER TUBE TONGUE PLATE	2
2	244-47-00-000	HYDRAULIC HOSE -TRACTOR TO CYLINDER	1
3	242-99-00-000	HITCH ASSY	1
3-1	242-99-00-241	LH SIDE PLATE	1
3-2	242-99-00-245	RH SIDE PLATE	1
3-3	242-99-00-238	HITCH BRACKET	1
3-4	242-99-00-239	UPPER TONGUE PLATE	1
3-5	242-99-00-240	LOWER TONGUE PLATE	1
3-6	242-99-00-242	PIN BRACKET	1
4	R20729	3 X 14" HYDRAULIC CYLINDER	1
5	R02043	1/2 X 3/8" BUSHING	4
6	R21366	1/2 X 90 STR ELBOW	2
7	242-98-00-000	DROP PIN ASSY	1
7-1	242-98-00-233	DROP PIN	1
7-2	R07925	1/4 X 1 1/2" PLATED RING	1
8	R21330	1/2 X 90- SWIVEL ADAPTOR	1
9	R20814	3/4 SAE X 1/2" NPT X 90- SWIVEL ADAPTOR	1
10	R21276	3/4 SAE X 1/2" NPT ADAPTOR	1
11	246-20-00-000	HYDRAULIC HOSE ASSY-TRACTOR TO CYLINDER	1
12	R21376	OPEN CENTER PLUG	1
13	R22252	CLOSED CENTER PLUG	1
14	R07803	3/8" LOCK WASHER	3
15	R07637	1/2 X 1" HEX HEAD BOLT	2

Item	Name	Description	Qty
16	R07674	1/2 X 1 1/4" HEX HEAD BOLT	4
17	R07805	1/2" LOCK WASHER	4
18	R07785	1/2" HEX NUT	4
19	R21336	3/8 X 90% D STREET ELBOW	1
20	R07642	1/2 X 3 1/2" HEX HEAD BOLT	1
21	R07885	1/2" -2 WAY LOCK NUT	1
22	R07782	5/16" HEX NUT	3
23	290-33-00-000	1/2" HYDRAULIC HOSE ASSY-TRACTOR TO CONTROL	2
24	R21342	1/2" PIONEER TIP	4
25	R09653	CONTROL VALVE STICKER	1
26	R20142	3/4-16UNF SLOTTED HEX NUT	2
27	R08002	5/32 X 1 1/2" COTTER PIN	3
28	R07614	5/16 X 2 1/2" HEX BOLT	3
29	R22250	5 BANK MONOBLOCK VALVE W/ CHECKS	1
30	R07826	5/8" FLAT WASHER	1
31	R08027	7/8 X 1 3/8" COMPRESION SPRING	1
32	244-06-00-000	HITCH KIT	1



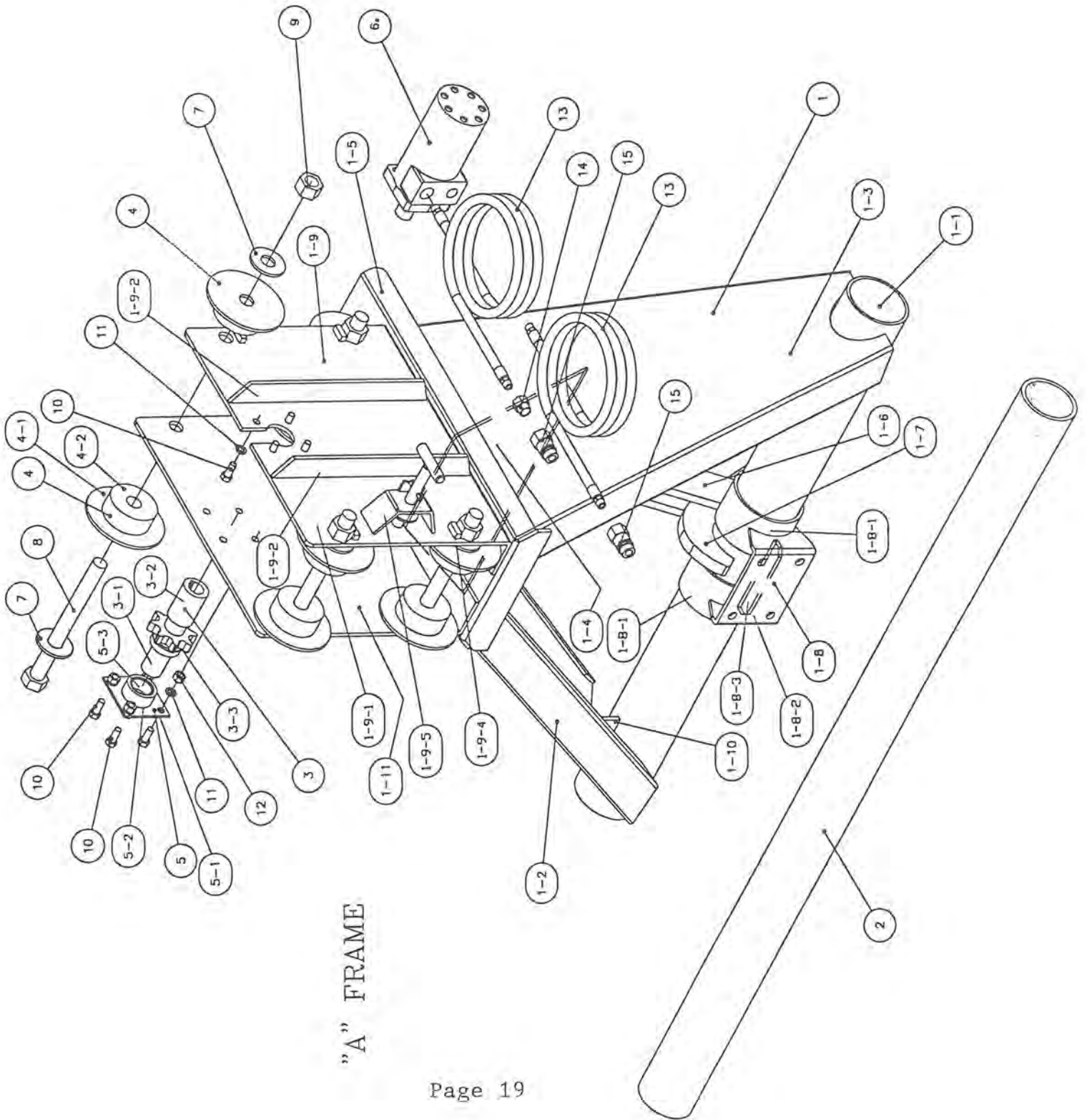
SIDE LOCK KIT 242-27-00-000			
Item	Name	Description	Qty
1	242-17-17-000	SIDE LOCK BRKT ASSY	1
1-1	242-17-17-193	SIDE LOCK BRKT	1
1-2	242-17-17-194	PIN STOP	1
2	242-17-18-000	SIDE LOCK PIN ASSY	1
2-1	242-17-18-195	SIDE LOCK PIN	1
2-2	242-17-18-196	PIN HANDLE	1
2-3	R07943	3/16 X 1 1/2" ROLL PIN	1
3	R07943	3/16 X 1 1/2" ROLL PIN	1
4	R07826	5/8" FLAT WASHER	1
5	R08027	SPRING	1

TIRE, WHEEL AND HUB



TIRE , WHEEL AND HUB

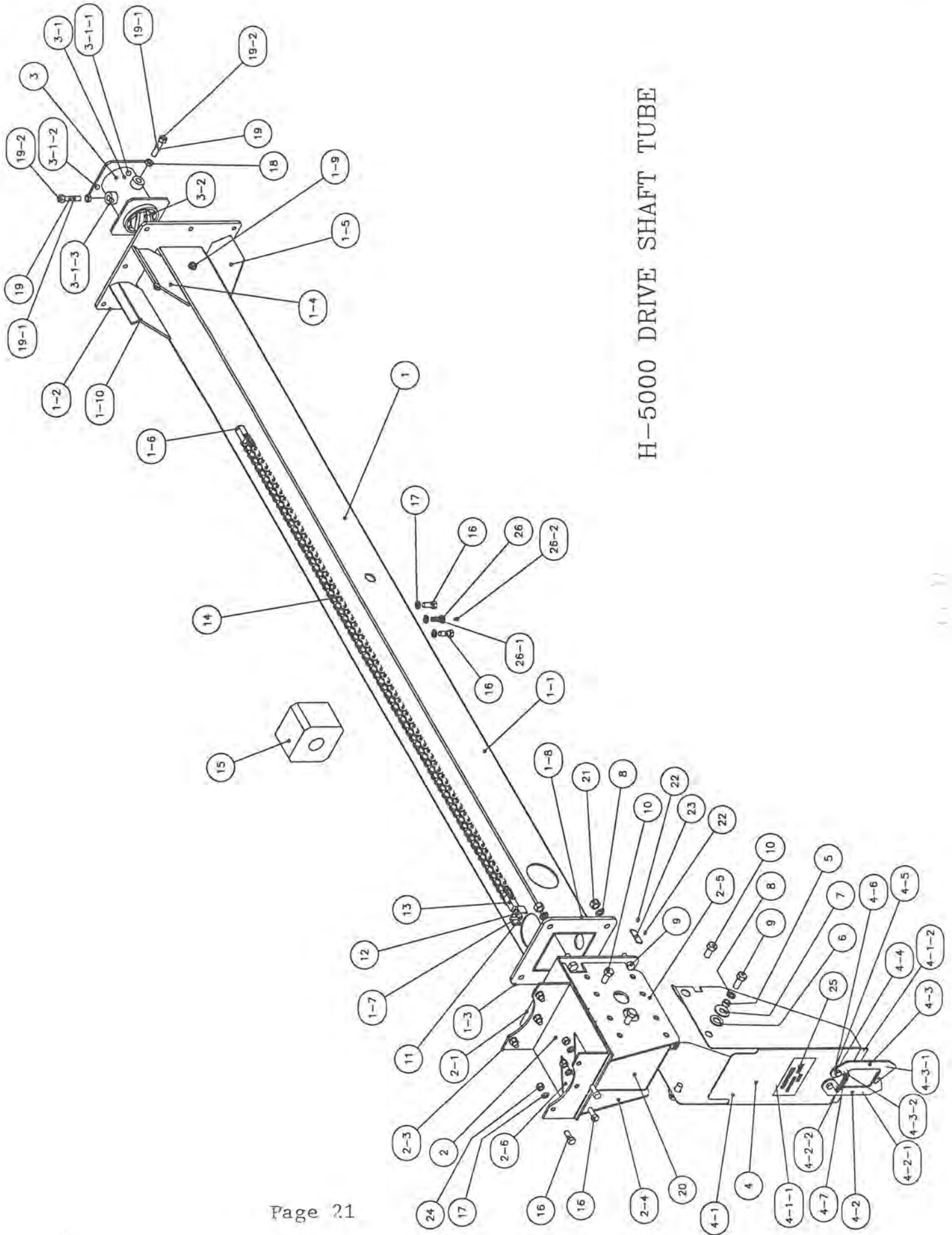
Item	Name	Description	Qty
1	250-65-00-000	TIRE AND WHEEL ASSY-5.90 X 15	1
1-1	R20016	5.90 X 15 RIB IMPLEMENT TIRE	1
1-2	R20057	4.5 X 15 WHEEL-4 BOLT	1
1-3	R20020	VALVE STEM	1
2	250-60-30-000	H-411 HUB COMPLETE	1
2-1	R20139	H-411 HUB W/CUPS	1
2-1-1	R20160	H-411 HUB	1
2-1-2	R20129	INNER CUP-LM67010	1
2-1-3	R20130	OUTER CUP-LM11910	1
2-2	R20144	GREASE SEAL-SE11	1
2-3	R20158	OUTER CONE-LM11949	1
2-4	R20159	INNER CONE-LM67048	1
2-5	R20143	DUST CAP DC-12	1
2-6	R20145	WHEEL BOLTS 1/2-20 UNF X 1"	4



"A" FRAME

"A" FRAME

Item	Name	Description	Qty
1	242-17-00-000	"A" FRAME ASSY	1
1-1	242-17-00-090	WHEEL SHAFT SLEEVE	1
1-10	242-17-00-091	SUPPORT ARM GUSSET	2
1-11	242-17-00-083	LH SPOOL HOLDER	1
1-2	242-17-00-085	LH SUPPORT ARM	1
1-3	242-17-00-086	RH SUPPORT ARM	1
1-4	242-17-00-088	TILT FRAME GUSSET	1
1-5	242-17-00-084	TILT FRAME BASE	1
1-6	242-17-00-087	REINFORCING BARS	2
1-7	242-17-00-089	CYLINDER AXLE BRKT	1
1-8	242-19-00-000	TONGUE AXLE BRKT ASSY	1
1-8-1	242-19-00-109	OUTER SLEEVE	2
1-8-2	242-19-00-107	TONGUE AXLE BRKT	1
1-8-3	242-19-00-108	REINFORCING BAR	1
1-9	242-17-13-000	RH SPOOL HOLDER ASSY	1
1-9-5	242-27-00-000	SIDE LOCK KIT	1
1-9-1	242-17-13-081	RH SPOOL HOLDER	1
1-9-2	242-17-13-082	SPOOL HOLDER BRACE	2
1-9-4	242-17-13-261	STOP BLOCK	4
2	242-00-00-113	INNER AXLE	1
3	242-25-00-000	SPROCKET DRIVE ASSY	1
3-1	242-25-00-131	SPROCKET SHAFT	1
3-2	242-25-00-132	MOTOR TO SHAFT COUPLING	1
3-3	250-25-00-257	80 B8 SPROCKET-1 1/4" BORE	1
4	242-24-00-000	SPOOL ASSY	8
4-1	242-24-00-129	SPOOL END PLATE	8
4-2	242-24-00-128	SPOOL ROLLER	8
5	242-26-00-000	BUSHING HOLDER ASSY	1
5-1	242-26-00-133	BUSHING HOLDER PLATE	1
5-2	242-26-00-134	BUSHING HOLDER	1
5-3	R20259	1 1/4 X 1 1/2" X .75 LONG BRASS BUSHING	1
6	R22255	HYDRAULIC MOTOR	1
7	R07828	1" FLAT WASHER	8
8	R07697	7/8 X 9" HEX BOLT	4
9	R08047	7/8" LOCK NUT	4
10	R07670	3/8 X 7/8" HEX BOLT	8
11	R07803	3/8" LOCK WASHER	8
12	R07783	3/8" HEX NUT	4
13	244-80-00-000	HYDRAULIC HOSE ASSY	2
14	R22166	1/2" NPT RESTRICTOR	1
15	R21342	1/2" PIONEER ENDS	2



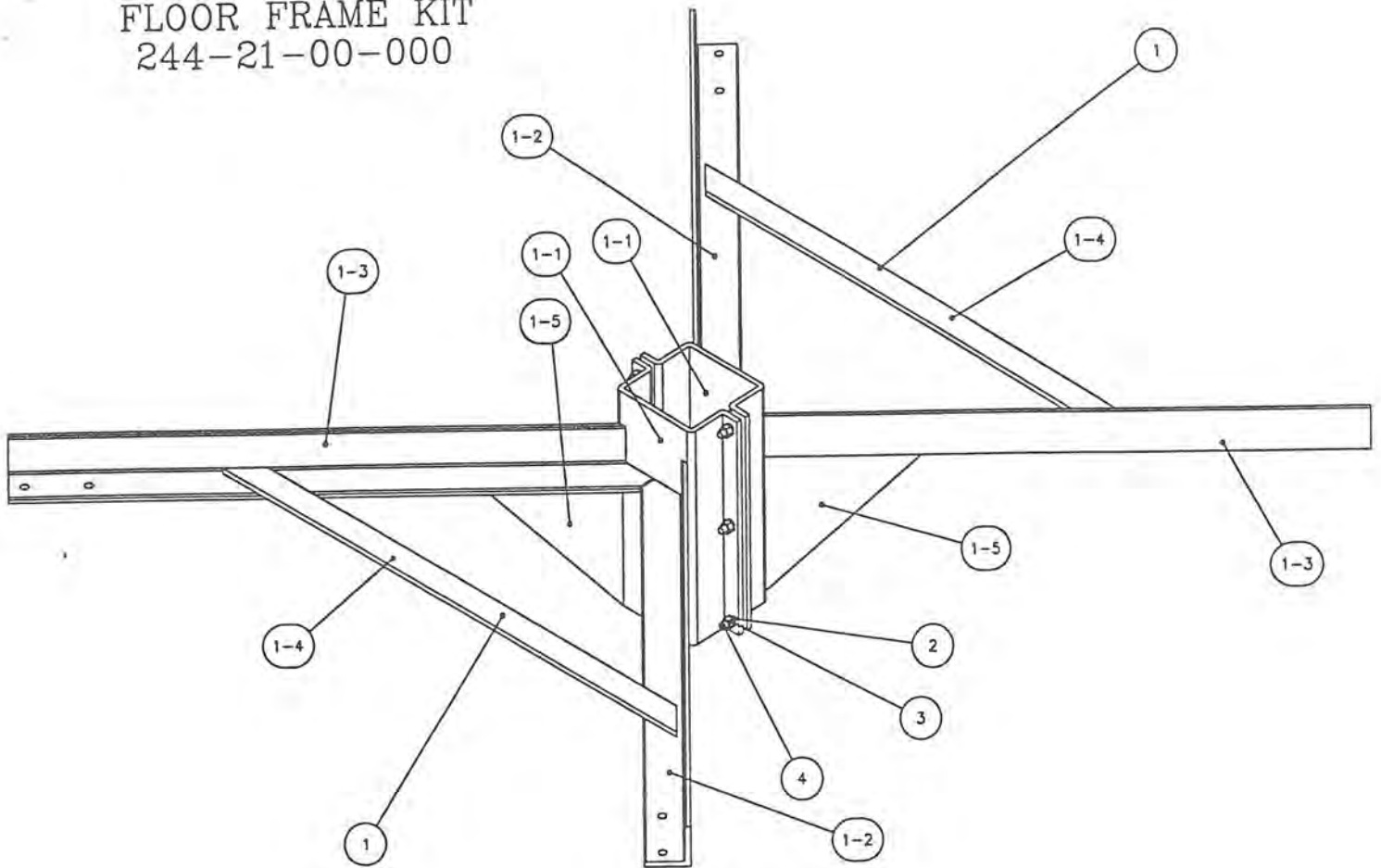
H-5000 DRIVE SHAFT TUBE

SHAFT TUBE W/BEARINGS AND GEARBOX

Item	Name	Description	Qty
1	242-82-00-000	SHAFT TUBE ASSY LESS CHAIN-8FT MODEL	1
	244-83-00-000	SHAFT TUBE ASSY LESS CHAIN-10 FT MODEL	1
	246-84-00-000	SHAFT TUBE ASSY LESS CHAIN-12 FT MODEL	1
1-1	242-82-00-203	SHAFT TUBE-8 FT	1
	244-83-00-205	SHAFT TUBE-10 FT	1
	246-84-00-206	SHAFT TUBE-12 FT	1
1-2	242-82-00-204	LOWER SHAFT TUBE FLANGE	1
1-3	242-11-00-062	DRIVE SHAFT TUBE END PLATE	1
1-4	242-11-00-057	LH GUSSET STOP PLATE	1
1-5	242-11-00-058	SHAFT TUBE GUSSET	2
1-6	242-11-00-059	CHAIN HOLD DOWN BRKT	1
1-7	242-11-00-061	TIGHTENER BRKT	1
1-8	242-11-00-064	TUBE GUSSET	2
1-9	R08304	1/2" S.S. FLANGE NUT	5
1-10	242-82-00-415	RH GUSSET STOP PLATE	1
2	244-03-00-000	GEARBOX HOLDER ASSY	1
3	244-13-00-000	MARINE BEARING AND HOLDER COMPLETE	1
4	242-45-00-000	PTO GUARD AND BRACKET KIT	1
4-1	244-04-00-000	PTO GUARD ASSY	1
4-2	242-96-00-000	LH STABILIZER BRKT	1
4-2-1	242-16-00-079	STABILIZER BRACKET	1
4-2-2	242-16-00-080	SPRING RETAINING ROD	1
4-3	242-16-00-000	RH STABILIZER BRACKET ASSY	1
4-3-1	242-16-00-079	STABILIZER BRACKET	1
4-3-2	242-16-00-080	SPRING RETAINING ROD	1
4-4	R07671	7/16 X 1 1/4" HEX BOLT	2
4-5	R07824	7/16" FLAT WASHER	2
4-6	R07891	7/16" HEX LOCK NUT	2
4-7	R08025	STABILIZER SPRING	1
5	242-00-00-338	FLIP GUARD SPACER	2
6	R09638	RUBBER WASHER	2
7	R07826	5/8" FLAT WASHER	2
8	R07806	5/8" LOCK WASHER	6
9	R07646	5/8 X 1 1/2" HEX BOLT	6
10	R07673	5/8-11 UNC X 1 1/4" HEX BOLT	6
11	R07797	3/8" HEX NUT	1
12	R07868	3/8 X 1 1/2" CAP SCREW	1
13	242-00-00-066	CHAIN TIGHTENER	1

Item	Name	Description	Qty
14	242-00-00-065	LIFT CHAIN-8FT MODEL	1
	244-00-00-169	LIFT CHAIN-10FT MODEL	1
	246-00-00-177	LIFT CHAIN-12FT MODEL	1
15	R20235	5.58" SQ WOOD BEARING - 2 ON 12FT PUMP	1
16	R07674	1/2 X 1 1/4" HEX BOLT	8
17	R07805	1/2" LOCK WASHER	9
18	R08046	1/2-13 UNC HEX JAM NUT	2
19	250-59-00-000	STAINLESS SETSCREW ASSY	2
20	R22481	1.18:1 SUPERIOR GEARBOX	1
	R22480	1.5:1 SUPERIOR GEARBOX	1
	R22479	1.35:1 SUPERIOR GEARBOX	1
	R22478	1:1 SUPERIOR GEARBOX	1
21	R07786	5/8" HEX NUT	4
22	R08162	1/4" X #4 DRIVE SCREW	2
23	R09071	SERIAL NUMBER PLATE	1
24	R07785	1/2" HEX NUT	6
25	R21521	CAUTION ROTATING DRIVE LINE "DECAL"	1
26	244-88-00-000	WOOD BEARING GREASE BOLT KIT	1
26-1	244-88-00-451	WOOD BRG BOLT	1
26-2	R08183	1/4-28 UNF GREASE FITTING	1

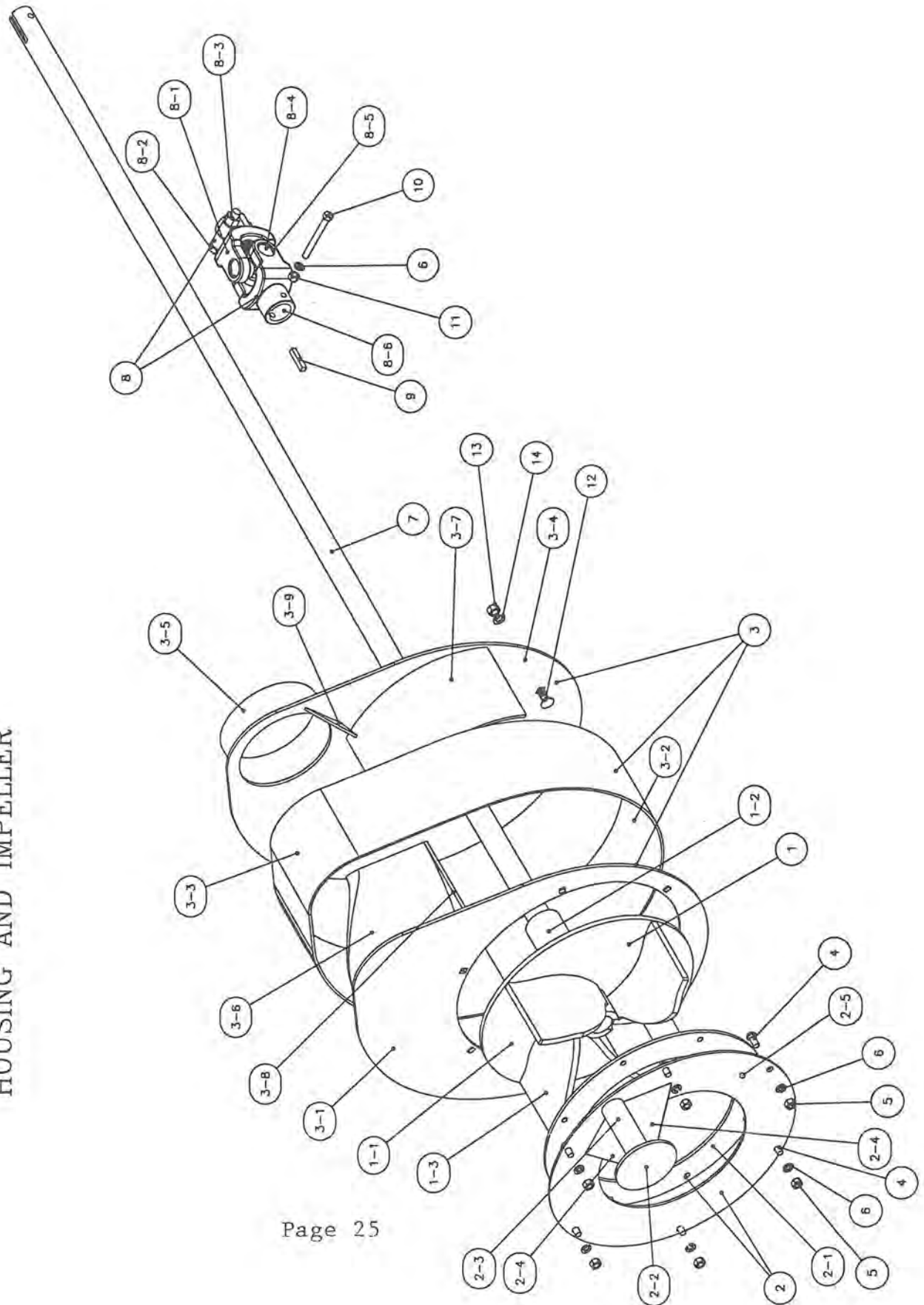
FLOOR FRAME KIT
244-21-00-000



FLOOR FRAME KIT 244-21-00-000

Item	Name	Description	Qty
1	244-21-01-000	FLOOR FRAME ASSY	2
1-1	244-21-01-419	SHAFT TUBE CLAMP BRKT	2
1-2	244-21-01-418	RH FLOOR FRAME ANGLE	2
1-3	244-21-01-417	LH FLOOR FRAME ANGLE	2
1-4	250-91-55-262	BRACE	2
1-5	244-21-01-420	GUSSET	4
2	R07804	7/16" LOCK WASHER	6
3	R07784	7/16" NYLOC HEX NUT	6
4	R07629	7/16 X 1 1/2" HEX BOLT	6

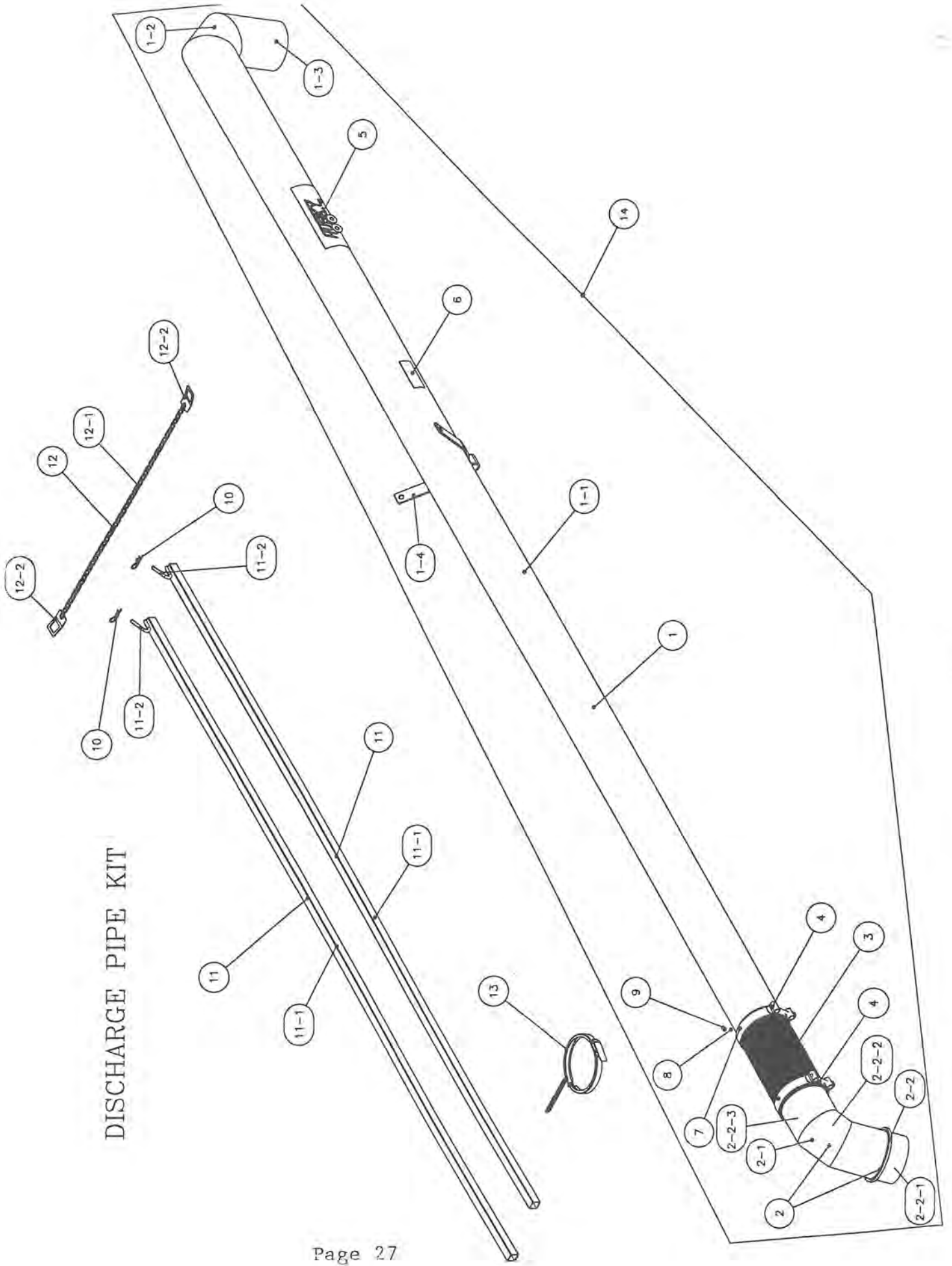
HOUSING AND IMPELLER



HOUSING AND IMPELLER

Item	Name	Description	Qty
1	244-18-00-000	IMPELLER ASSY	1
1-1	244-18-00-330	IMPELLER BACK PLATE	1
1-2	244-18-00-331	IMPELLER SLEEVE	1
1-3	244-18-00-329	IMPELLER BLADE	4
2	244-01-00-000	COVER PLATE ASSY	1
2-1	244-01-00-255	COVER PLATE SUPPORT	1
2-2	250-04-03-012	FOOT END	1
2-3	250-04-03-013	FOOT	1
2-4	250-04-00-173	FOOT GUSSET	2
2-5	244-01-00-256	COVER PLATE	1
3	244-39-00-000	HOUSING ASSY	1
3-1	244-39-00-374	LOWER HOUSING PLATE	1
3-2	244-39-00-376	HOUSING BAND	1
3-3	244-39-00-386	HOUSING BAND CAP	1
3-4	244-39-00-373	HOUSING UPPER PLATE	1
3-5	244-39-00-375	DISCHARGE TUBE	1
3-6	244-39-00-378	BOOT END PLATE	1
3-7	244-39-00-385	INNER HOUSING BAND	1
3-8	244-39-00-377	SIDE PLATE	1
3-9	244-39-00-384	GUSSET	1
4	R07731	7/16 X 1" CARRIAGE BOLT	6
5	R07784	7/16" HEX NUT	6
6	R07804	7/16" LOCK WASHER	7
7	244-00-00-259	IMPELLER SHAFT-10FT MODEL	1
7	246-00-00-260	IMPELLER ASSY-12FT MODEL	1
7	242-00-00-258	IMPELLER SHAFT-8FT MODEL	1
8	242-54-00-000	KNUCKLE ASSY	1
8-1	R22028	QD YOKE 1 3/4" 27 TOOTH W/BOLT & NUT	1
8-2	R08281	M16 X 90 SOCKET HEAD CAP SCREW	1
8-3	R08266	M16-2 NYLON INSERT LOCK NUT	1
8-4	R22029	JOURNAL AND BEARING KIT	1
8-5	R20405	SNAP RING	4
8-6	R22030	1 3/4" ROUND HOLE YOKE	1
9	270-00-00-075	3/8 X 3/8 X 2" KEY	1
10	R07634	7/16 X 4" HEX BOLT	1
11	R08178	7/16" NYLOC HEX NUT	1
12	R07743	1/2 X 1 1/2" CARRIAGE BOLT	8
13	R07784	1/2" HEX NUT	8
14	R07805	1/2" LOCK WASHER	8

DISCHARGE PIPE KIT

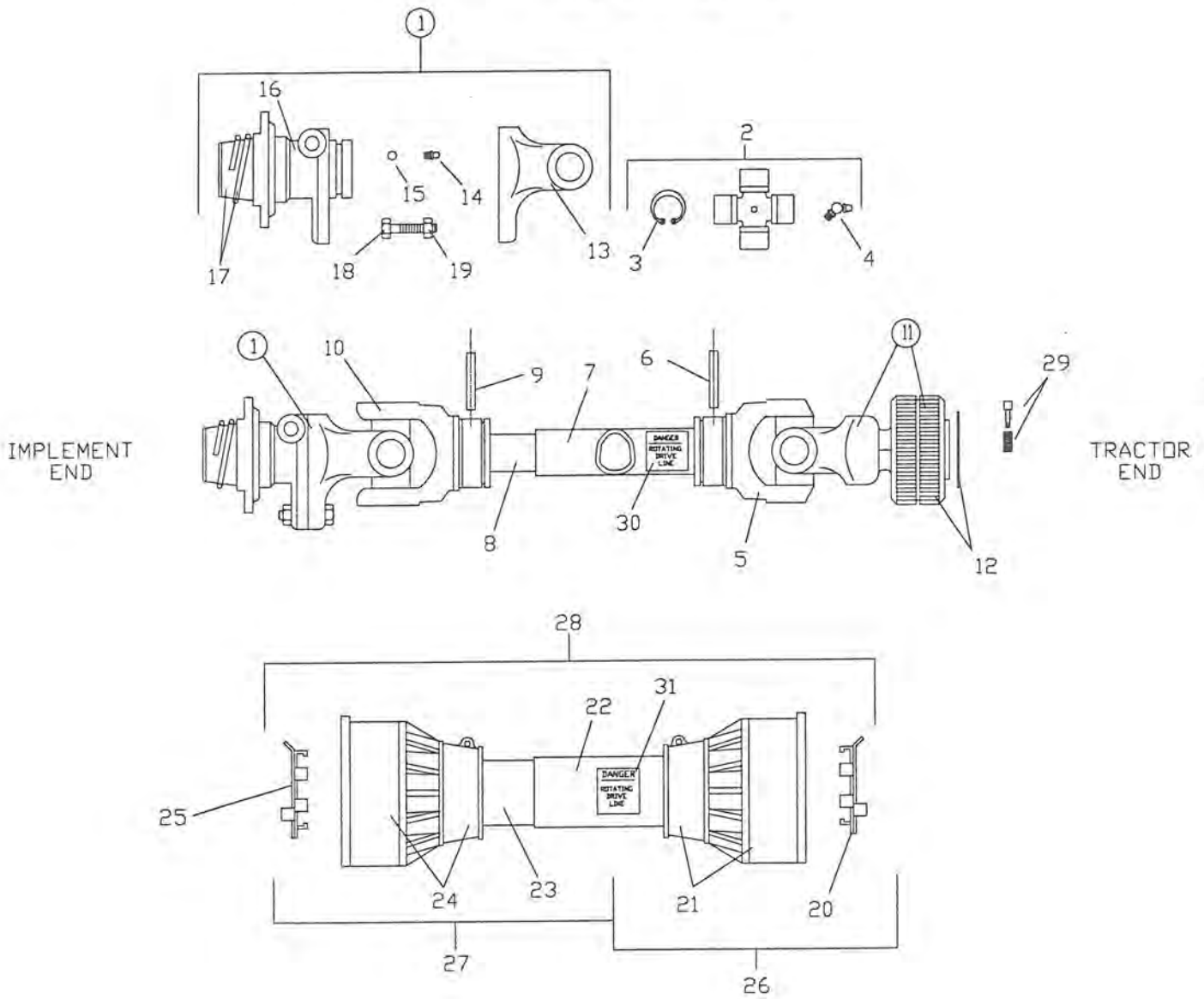


Copyright © 1988
by the
United States
Government

DISCHARGE PIPE KIT

Item	Name	Description	Qty
1	270-42-00-000	20 FT DISCHARGE PIPE ASSY-STD	1
	270-53-24-000	25 FT DISCHARGE PIPE ASSY	1
1-1	270-42-00-130	DISCHARGE PIPE	1
	270-53-24-155	25 FT DISCHARGE PIPE	1
1-2	242-30-00-146	DISCHARGE ELBOW CENTER PC	1
1-3	242-30-00-147	DISCHARGE ELBOW END PC	1
1-4	242-30-00-148	DISCHARGE PIPE HOOK	1
2	244-08-00-000	PUMP ELBOW W/RING ASSY	1
2-1	242-28-00-000	PUMP ELBOW ASSY	1
2-1-1	242-28-00-138	PUMP ELBOW BASE SECTION	1
2-1-2	242-28-00-139	PUMP ELBOW MIDDLE SECTION	1
2-1-3	242-28-00-140	PUMP ELBOW UPPER SECTION	1
2-2	244-08-00-307	CLAMP RING	1
3	242-00-00-141	8" FLEX HOSE SECTION	1
4	R02484	8" SUPER CLAMP	2
5	R09502	"HUSKY" DECAL	1
6	R09690	"TIE DOWN" DECAL	1
7	R07677	1/4 X 3/4" HEX BOLT	4
8	R07821	1/4" FLAT WASHER	4
9	R07781	1/4" NC HEX NUT	4
10	R07948	5/32" HAIR PIN	2
11	242-33-00-000	BIPOD LEG ASSY	2
11-1	242-33-00-155	BIPOD LEG	2
11-2	242-33-00-156	LEG HOOK	2
12	242-79-00-000	BIPOD LEG CHAIN ASSY	1
12-1	242-79-00-199	BIPOD LEG CHAIN	1
12-2	242-79-00-198	BIPOD LEG CLIP	2
13	244-09-00-000	CLAMP AND CHAIN ASSY	1
13-1	R02488	8" RINGLOCK CLAMP	1
13-2	250-97-00-297	CLAMP CHAIN	1
14	244-11-00-000	20 FT DISCHARGE PIPE KIT	1
14	290-54-00-000	25 FT DISCHARGE PIPE KIT	1

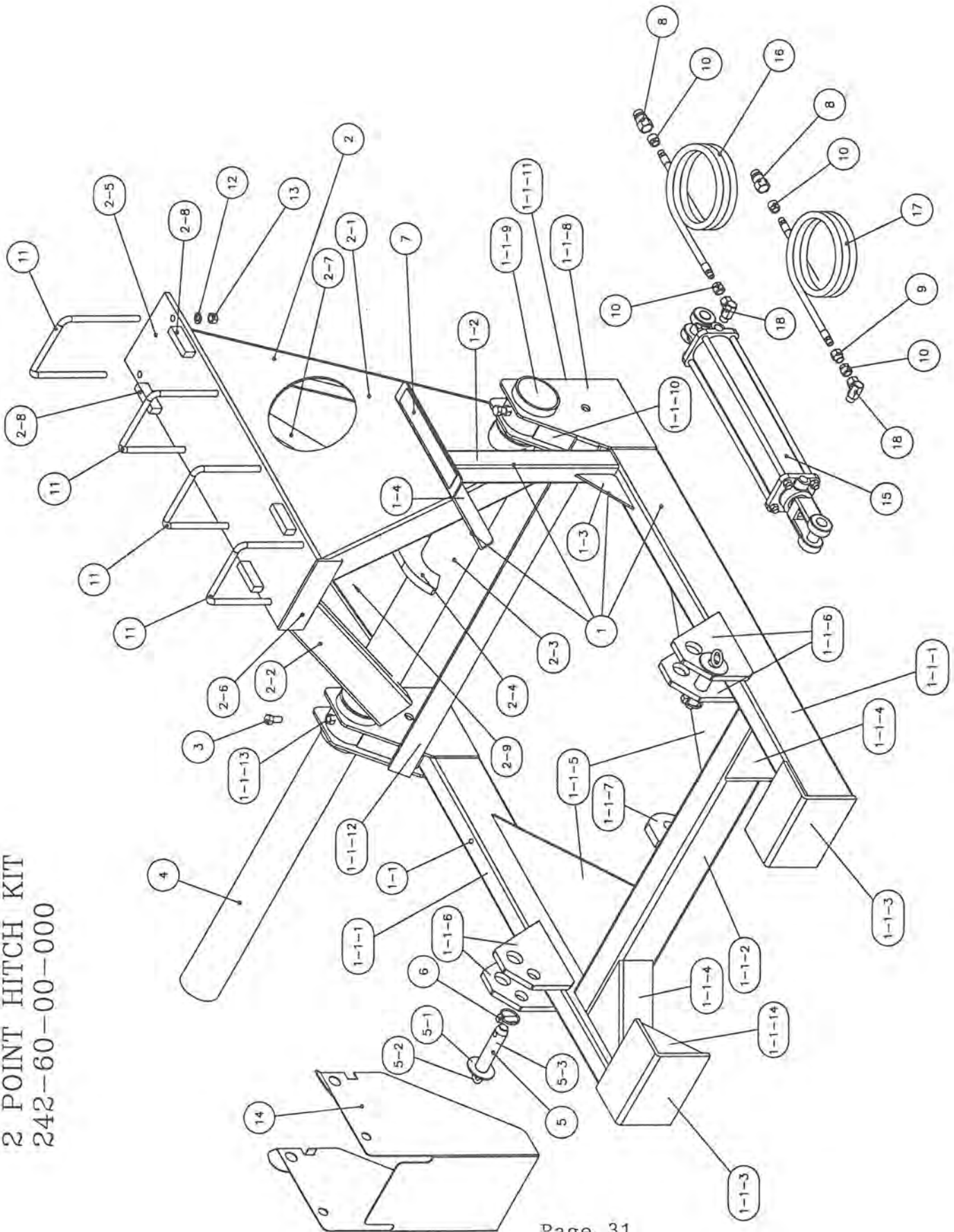
H-5000 PTO
 BONDIOLI AND PAVESI
 1000 RPM-R21607
 540 RPM-R21606



H5000 BONDIOLI & PAVESI PTO

Item	Mfg #	Name	Description	Qty
1	606808122R	R22313	1 3/4"-27 TOOTH TORQUE LIMITER W/SLIDE COLLAR	1
2	41208	R21614	CROSS JOURNAL ASSY	2
3	338023000	R21621	CIRCLIP	8
4	348004000	R21655	GREASE NIPPLE	2
5	204086860	R21620	OUTER TUBE YOKE	1
6	341054000	R21613	FLEXIBLE PIN	1
7	225730803	R21616	CM CARDAN TUBE-OUTER 803mm LONG	1
8	225690803	R21615	CM CARDAN TUBE-INNER 803mm LONG	1
9	341055000R10	R21612	FLEXIBLE PIN	1
10	204086861	R21619	INNER TUBE YOKE	1
11	572083751	R21640	1 3/8-21 TOOTH QD YOKE W/SLEEVES	1
11	572080351	R21641	1 3/8-6 TOOTH QD YOKE W/SLEEVES	1
11	572083851	R21644	1 3/4-20 TOOTH QD YOKE W/SLEEVES	1
12	240003551	R21713	R.S. COLLAR KIT	1
13	213080053	R22310	SHEAR YOKE-SLIDE COLLAR	1
14	348012000	R21672	5/16" GREASE ZERK	1
15	362003000R25	R21539	5/16" DIA BALL	24
16	525083901	R22311	SHEAR HUB-SLIDE COLLAR	1
17	435000400	R22312	SLIDE COLLAR KIT	1
18	M12-1.75 X 65	R21602	M12 X 65 HEX BOLT	1
19	M12-1.75	R21604	M12 NY-LOCK NUT	1
20	255080005R02	R21609	SHIELD SUPPORT 8-9-0	1
21	517080130	R21610	OUTER CONE SETS N8-9	1
22	236850732	R21618	CM OUTER SAFETY TUBE 732mm LONG	1
23	236840732	R21617	CM INNER SAFETY TUBE 732mmLONG	1
24	517080120	R21611	INNER CONE SETS N8-9	1
25	255080006R02	R21608	SHIELD SUPPORT 8-9-0	1
26	5FE8101FFFX	R21627	HALF SAFETY GUARD-OUTER	1
27	5F18101FFFX	R21628	HALF SAFETY GUARD-INNER	1
28	5F08101FFFX	R21629	SAFEETY GUARD COMPLETE	1
29	403000001R10	R21669	PUSH PIN COMPLETE-1 3/8-6 TOOTH	1
29	403000013	R21669	PUSH PIN COMPLETE-1 3/8-21 TOOTH	1
29	403000011	R21735	PUSH PIN COMPLETE-1 3/4-20 TOOTH	1
30	399143000	R22308	DANGER LABEL	1
31	399141000	R22309	DANGER LABEL	1

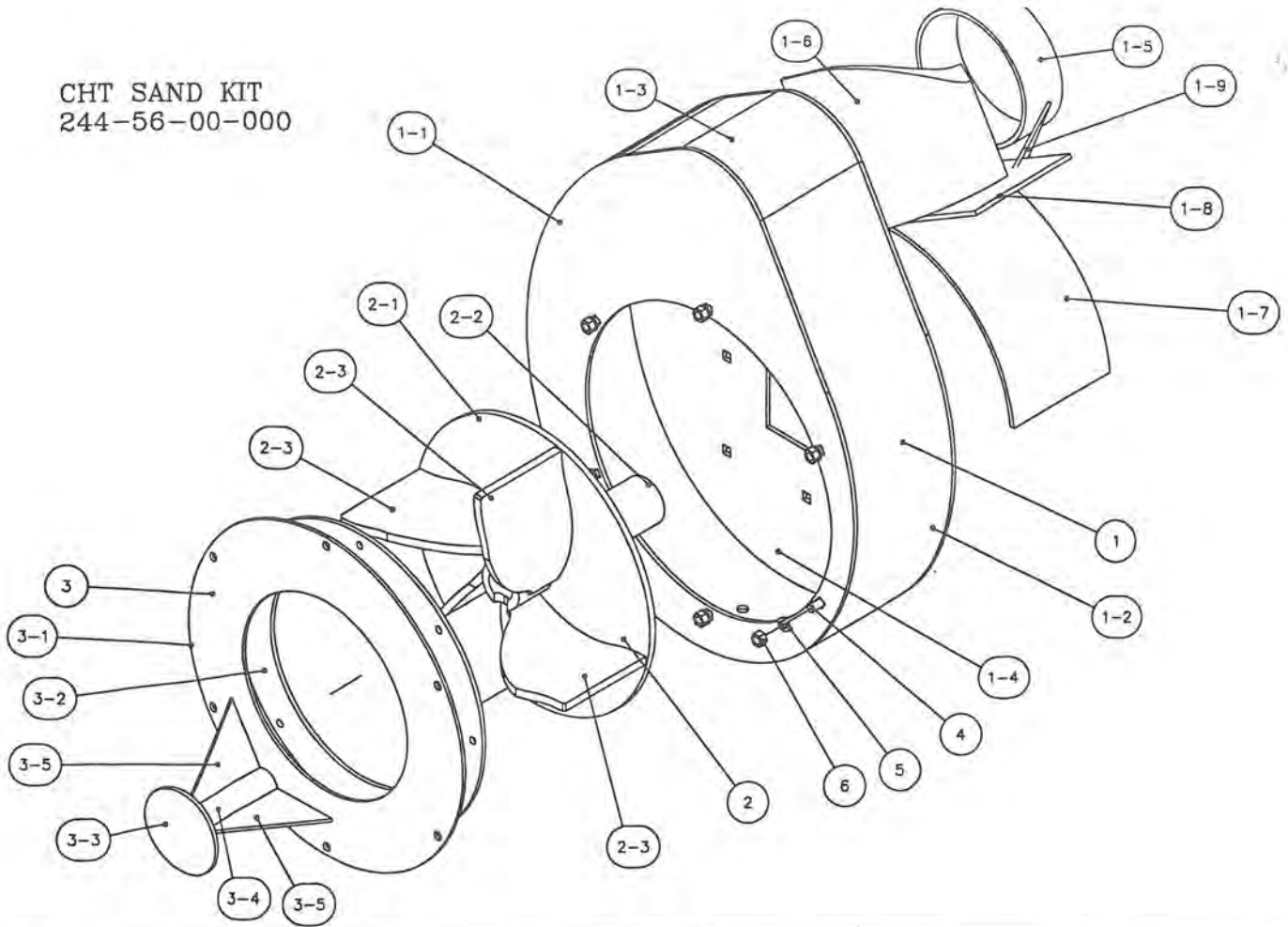
2 POINT HITCH KIT
242-60-00-000



2 POINT HITCH KIT 242-60-00-000

Item	Name	Description	Qty
1	242-60-41-000	2 PT HITCH MAIN FRAME ASSY	1
1-1	250-87-44-000	2PT HITCH MAIN FRAME ASSY	1
1-1-1	250-87-44-215	LIFT ARM	2
1-1-2	250-87-44-216	CROSS BRACE	1
1-1-3	250-87-44-217	END CAP	2
1-1-4	250-87-44-218	ANGLE GUSSET	2
1-1-5	250-87-44-219	CROSS BRACE GUSSET	2
1-1-6	250-87-44-220	LIFT BRKT	4
1-1-7	250-87-44-221	CYLINDER LUG	1
1-1-8	250-87-44-222	TILT FRAME BRKT	4
1-1-9	250-87-44-223	TILT FRAME BRKT SLEEVE	2
1-1-10	250-87-44-224	FRONT FILLER PLATE	2
1-1-11	250-87-44-225	REAR FILLER PLATE	2
1-1-12	250-87-44-226	CROSS STRAP	1
1-1-13	R07785	1/2" HEX NUT	2
1-1-14	250-87-44-335	GUSSET	2
1-2	242-60-41-266	CONTROL VALVE STAND TUBE	1
1-3	242-60-41-267	GUSSET	1
1-4	242-18-15-104	CONTROL VALVE PLATE	1
2	242-60-35-000	TILT FRAME ASSY	1
2-1	242-60-35-247	LH SUPPORT ARM-2PT HITCH	1
2-2	242-60-35-248	RH SUPPORT ARM-2PT HITCH	1
2-3	250-87-45-230	SUPPORT ARM SLEEVE	1
2-4	250-87-45-231	CYLINDER AXLE BRKT	1
2-5	242-60-35-252	TOP SUPPORT PLATE	1
2-6	242-60-35-251	GUSSET	1
2-7	242-60-35-249	REINFORCING BARS	2
2-8	242-60-35-302	STABILIZER BAR	4
2-9	242-60-35-250	TILT FRAME GUSSET	1
3	R07637	1/2-13 UNC X 1" HEX BOLT	2
4	250-87-00-227	INNER AXLE TUBE	1
5	250-87-56-000	HITCH PIN ASSY	2
5-1	R07828	1" FLAT WASHER	2
5-2	250-87-56-264	DRAW PIN	2
5-3	R07925	1/4 X 1 1/2" RING	2
6	R08040	2-18 LYNCH PIN	2
7	R09673	CONTROL VALVE STICKER	1
8	R21342	1/2" PIONEER TIP	2
9	R21336	3/8-18 NPT RESTRICTOR	1
10	R02043	1/2 X 3/8" BUSHING	4
11	R08173	1/2-13 UNC "U" BOLT	4
12	R07805	1/2" LOCK WASHER	8
13	R07785	1/2" HEX NUT	8
14	242-60-00-271	PTO GUARD	1
15	R20724	4 X 14" HYDRAULIC CYLINDER	1
16	250-87-51-000	HYDRAULIC HOSE ASSY	1
17	250-87-52-000	HYDRAULIC HOSE ASSY	1
18	R21366	1/2 X 90 STR ELBOW	2
19	250-60-55-000	2 POINT HITCH LESS HYDRAULICS & "U" BOLTS	1

CHT SAND KIT
244-56-00-000



CHT SAND KIT 244-56-00-000

Item	Name	Description	Qty
1	244-57-00-000	CHT HOUSING ASSY	1
1-1	244-57-00-402	LOWER HOUSING PLATE	1
1-2	244-57-00-404	CHT HOUSING BAND	1
1-3	244-57-00-408	CHT HOUSING BAND CAP	1
1-4	244-57-00-403	CHT HOUSING UPPER PLATE	1
1-5	244-39-00-375	DISCHARGE TUBE	1
1-6	244-57-00-405	CHT BOOT END PLATE	1
1-7	244-39-00-385	CHT INNER HOUSING BAND	1
1-8	244-57-00-406	CHT SIDE PLATE	1
1-9	244-57-00-407	CHT GUSSET	1
2	244-34-00-000	CHT IMPELLER ASSY	1
2-1	244-34-00-358	CHT IMPELLER BACK PLATE	1
2-2	244-18-00-331	IMPELLER SLEEVE	1
2-3	244-34-00-359	CHT IMPELLER BLADE	4
3	244-33-00-000	CHT COVER PLATE ASSY	1
3-1	244-33-00-356	CHT COVER PLATE	1
3-2	244-33-00-357	CHT COVER PLATE SUPPORT	1
3-3	250-04-03-012	FOOT END	1
3-4	250-04-03-013	FOOT	1
3-5	250-04-00-173	FOOT GUSSET	2
4	R07731	7/16 X 1 " CARRIAGE BOLT	6
5	R07804	7/16" LOCK WASHER	6
6	R07784	7/16" HEX NUT	6

Superior Gearbox

EP 80 - 90 gear oil
(E P standing for extreme pressure additive)

Fill half full.

Change after 100 hours.

Then change after 1000 hours
or 12 months (if seasonal use).

