

Official Copy

12/15/2005 - 14m00

Date Purchased _____ Machine Serial No. _____

Size of Spreader _____ Options _____

The key number system in this parts book is arranged as follows:

- ⊙ - Key numbers with two circles denotes main assemblies.
- - Key numbers with one circle are individual parts

Please order parts by number



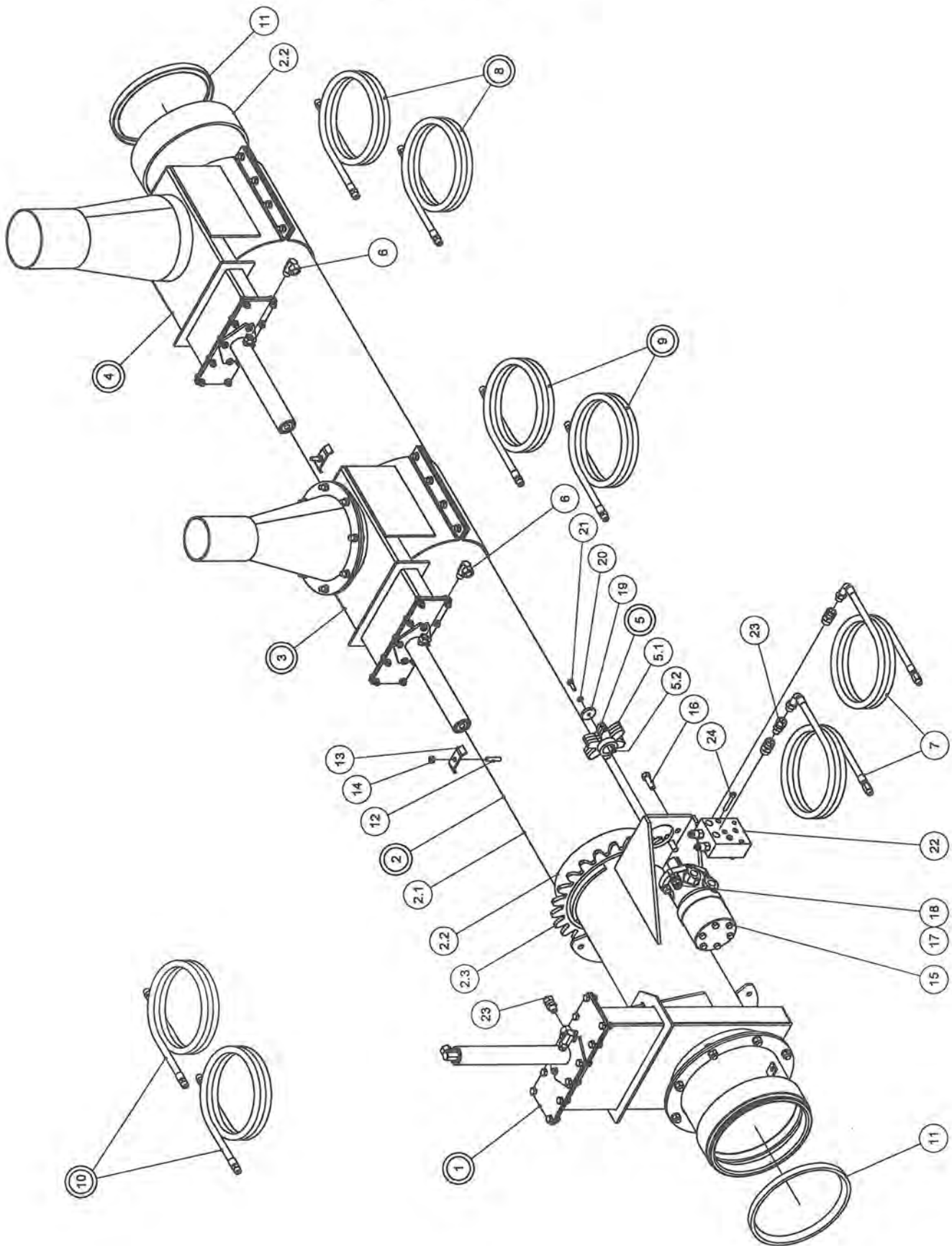
H-10000

- H-10000 VERTICAL PIT PUMP – 8ft ▪ 286-00-00-000**
- H-10000 VERTICAL PIT PUMP – 10ft ▪ 287-00-00-000**
- H-10000 VERTICAL PIT PUMP – 12ft ▪ 288-00-00-000**

OPERATING INSTRUCTIONS:

1. Do not leave pump in manure pit – remove pump from pit – wash off and coat with old oil or diesel fuel.
2. Do not over rev. tractor while pumping as discharge spout will lift into air. Always tie down spout.
3. The (Polyurethane) marine bearing at the bottom of the pump is lubricated with manure or water. If the level of the liquid is below the bearing and you are running for long periods put a water hose in the top of the standpipe.
4. Always fill all hydraulic motors and cylinders with oil before installing in pit.
5. **EXTREME DANGER** – Never enter a dirty manure spreader or storage tank – one breath of hydrogen sulphide gas is enough to kill. Have a ladder in your pit, so that if by accident you should fall in, you can get out.
6. For open centre hydraulic tractors, use short plug on right hand end of hydraulic valve. For closed centre hydraulics use long plug with O ring. (Oil must flow in left hand end of valve).

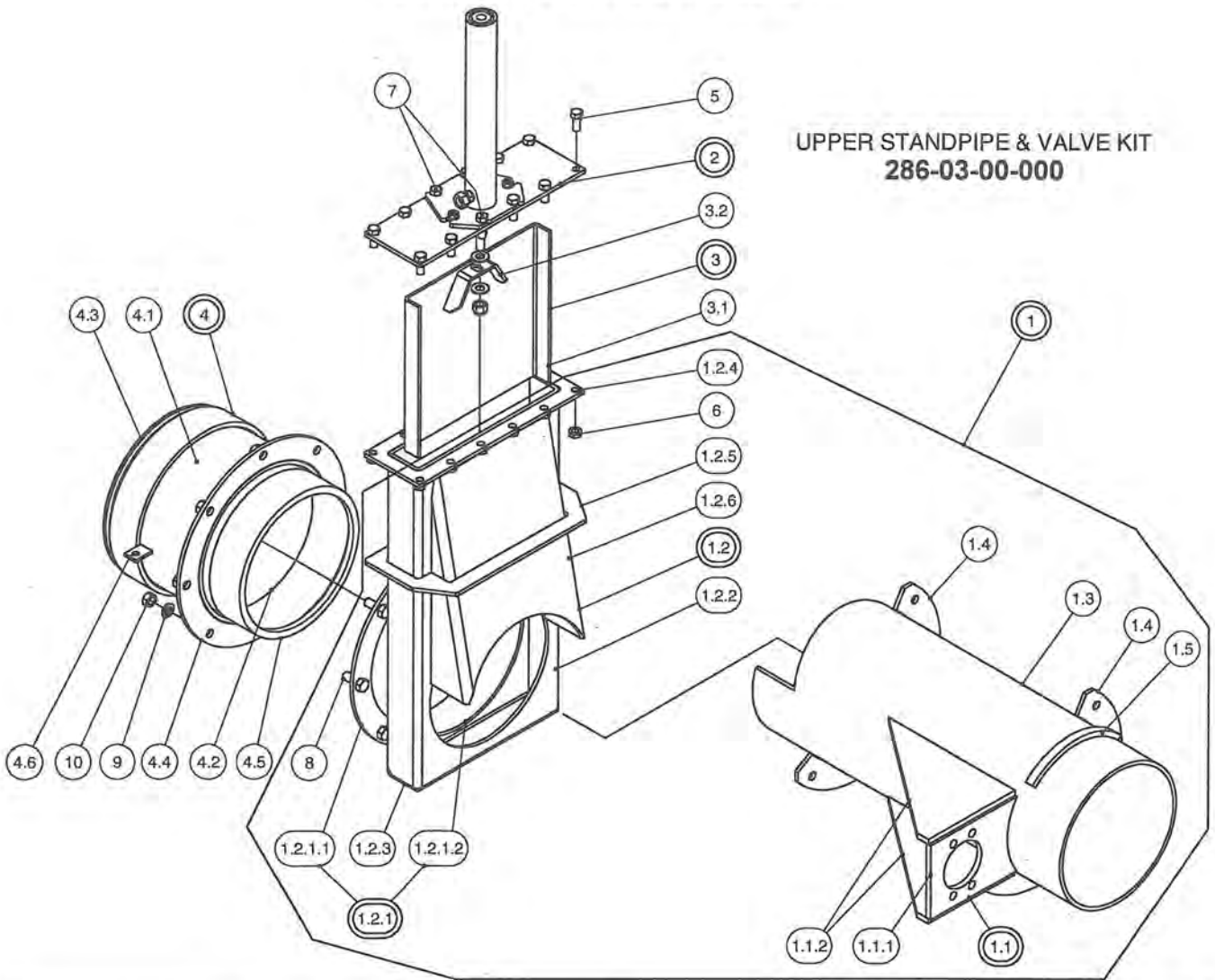
H-10000 STANDPIPE



H-10000 STANDPIPE

PARTS LIST			
ITEM	PART NUMBER	DESCRIPTION	QTY
1	286-03-01-012	UPPER STANDPIPE AND VALVE KIT	1
2	288-16-00-000	STANDPIPE ASSY - 12FT MODEL	*
2	287-14-00-000	STANDPIPE ASSY - 10FT MODEL	*
2	286-02-00-000	STANDPIPE ASSY - 8FT MODEL	1
2.1	286-02-00-009	STANDPIPE - 8FT MODEL	1
	287-14-00-048	STANDPIPE - 10FT MODEL	*
	288-16-00-050	STANDPIPE - 12FT MODEL	*
2.2	286-02-00-010	GASKET SLEEVE	2
2.3	286-02-00-011	LARGE DIRVE SPROCKET	1
3	286-07-00-000	UPPER VALVE AND CONE COMPLETE	1
4	286-08-00-000	LOWER VALVE AND CONE COMPLETE	1
5	286-24-00-000	6 TOOTH SPROCKET ASSY-BIG MOTOR	1
5.1	286-24-00-085	6 TOOTH SPROCKET-2" BORE	3
5.2	286-24-00-086	SPROCKET HUB	1
6	R21366	3/8" x 90 DEG. NPT STREET ELBOW	4
7	244-70-00-000	HYD HOSE ASSY-CONTROL TO ROTATE-8FT MODEL	2
	244-71-00-000	HYD HOSE ASSY-CONTROL TO ROTATE-10FT MODEL	*
	244-72-00-000	HYD HOSE ASSY-CONTROL TO ROTATE-12FT MODEL	*
8	244-77-00-000	HYD HOSE ASSY-CONTROL TO BOTTOM TEE-8FT MODEL	2
	244-78-00-000	HYD HOSE ASSY-CONTROL TO BOTTOM TEE-10FT MODEL	*
	244-79-00-000	HYD HOSE ASSY-CONTROL TO BOTTOM TEE-12FT MODEL	*
9	244-76-00-000	HYD HOSE ASSY-CONTROL TO TOP TEE	2
10	244-68-00-000	HYD HOSE ASSY-CONTROL TO DISCHARGE-8FT MODEL	2
	244-75-00-000	HYD HOSE ASSY-CONTROL TO DISCHARGE-10FT MODEL	*
	244-78-00-000	HYD HOSE ASSY-CONTROL TO DISCHARGE-12FT MODEL	*
	242-60-02-000	HYD HOSE ASSY-CONTROL TO DISCHARGE-ALL 2PT HITCH PUMPS	*
11	R02849	10" RW GASKET	3
12	R08302	3/8-16 UNC x 1 5/8" WELD STUD	2
13	290-00-00-167	HYDRAULIC HOSE CLIP	2
14	R07794	3/8 FLANGE NUT	2
15	R22164	DANFOSS HYD MOYOR-OMH500	1
16	R07638	1/2 x 1 1/2 HEX BOLT	4
17	R07805	1/2 LOCK WASHER	4
18	R07785	1/2 HEX NUT	4
19	290-00-00-098	SLEEVE CAP	1
20	R07802	5/16 LOCK WASHER	1
21	R07611	5/16 x 1" HEX BOLT	1
22	R22256	OVER CENTER VALVE - M&S MOTOR	1
23	R21336	3/8 - 18 RESTRICTOR	2
24	R08334	5/16-18 x 2 SOCKET HD CAP SCREW	4

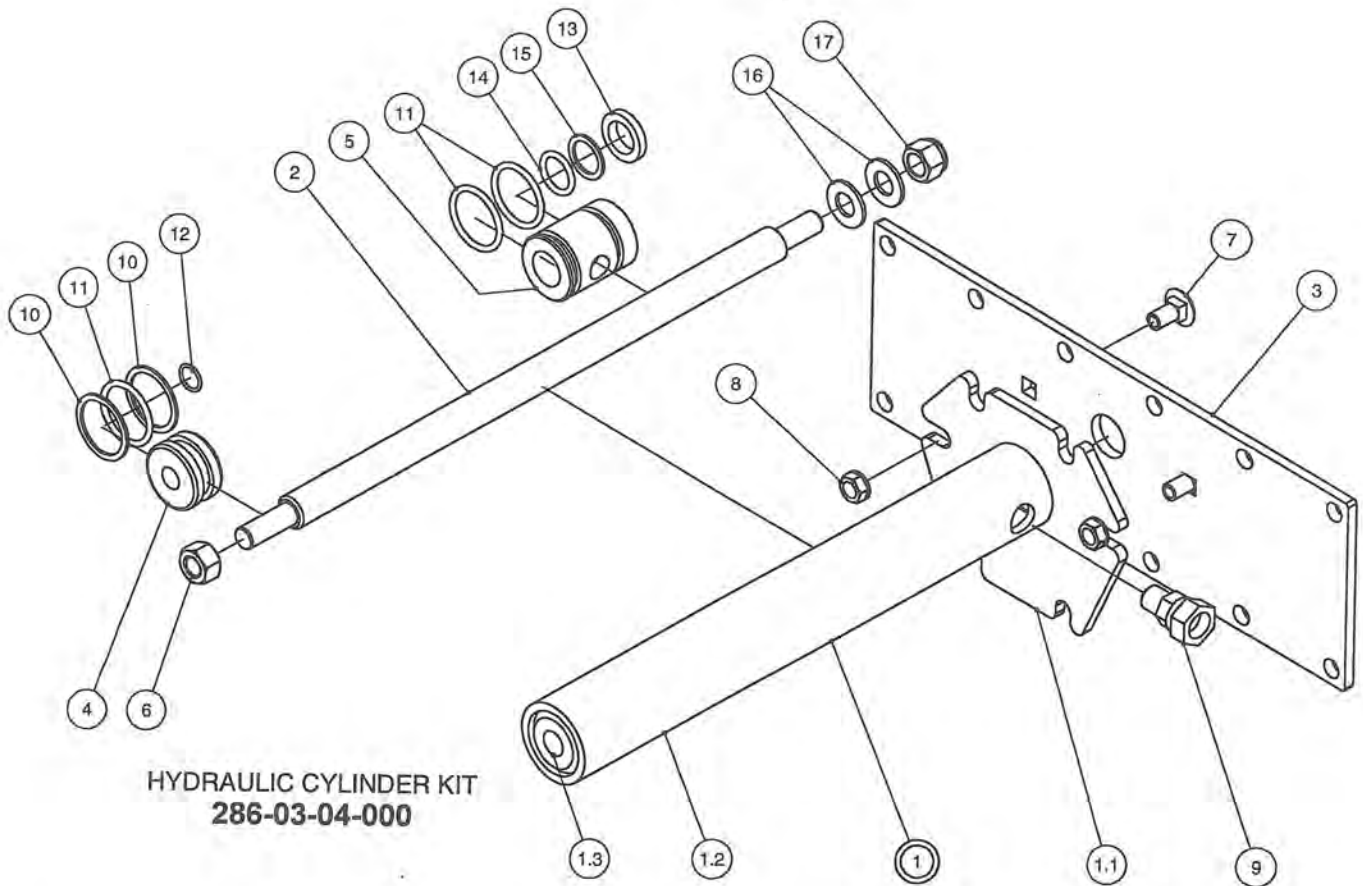
UPPER STANDPIPE & VALVE KIT



UPPER STANDPIPE & VALVE KIT
286-03-00-000

PARTS LIST				PARTS LIST			
ITEM	PART NUMBE	DESCRIPTION	QT	ITEM	PART NUMBE	DESCRIPTION	QT
1	286-03-03-000	HYDRAULIC VALVE BODY ASSY	1	2	286-03-04-000	HYDRAULIC CYLINDER ASSY	1
1.1	286-21-00-000	MOTOR MOUNT PLATE ASSY-LG. MOTOR	1	3	286-03-08-000	VALVE GATE ASSY	1
1.1.1	286-21-00-063	MOTOR MOUNT PLATE - LARGE MOTOR	1	3.1	286-03-08-027	VALVE GATE	1
1.1.2	286-21-00-064	MOUNT PLATE GUSSET	2	3.2	286-03-08-028	VALVE GATE BRKT	1
1.2	286-03-06-000	VALVE BODY ASSY	1	4	286-04-00-000	VALVE SEAL AND OUTLET ASSY	1
1.2.1	286-03-07-000	FLANGE ASSY	1	4.1	286-04-00-030	OUTER EXTENSION PIPE	1
1.2.1.1	286-03-07-025	FLANGE	1	4.2	286-04-00-031	INNER EXTENSION TUBE	1
1.2.1.2	286-03-07-026	OUTLET TUBE	1	4.3	286-04-00-029	UPPER COUPLING BASE	1
1.2.2	286-03-06-021	VALVE BODY LOWER	1	4.4	286-03-07-025	FLANGE	1
1.2.3	286-03-06-020	VALVE BODY-TOP	1	4.5	R20218	URETHANE	1
1.2.4	286-03-06-022	VALVE FLANGE	1	4.6	250-96-00-298	CHAIN LUG	1
1.2.5	286-03-06-024	REINFORCING FLANGE	1	5	R07628	7/16 x 1 HEX BOLT	8
1.2.6	286-03-06-023	TAPERED INLET	1	6	R07879	7/16 FLANGE NUT	12
1.3	286-03-01-012	FIXED UPPER STANDPIPE	1	7	R07671	7/16 x 1 1/4 HEX BOLT	4
1.4	286-03-01-013	STANDPIPE HOLD DOWN BRKTS	2	8	R07674	1/2 x 1 1/4 HEX BOLT	8
1.5	286-03-09-070	STOP RING	1	9	R07805	1/2 LOCK WASHER	8
				10	R07785	1/2 HEX NUT	8

HYDRAULIC CYLINDER KIT

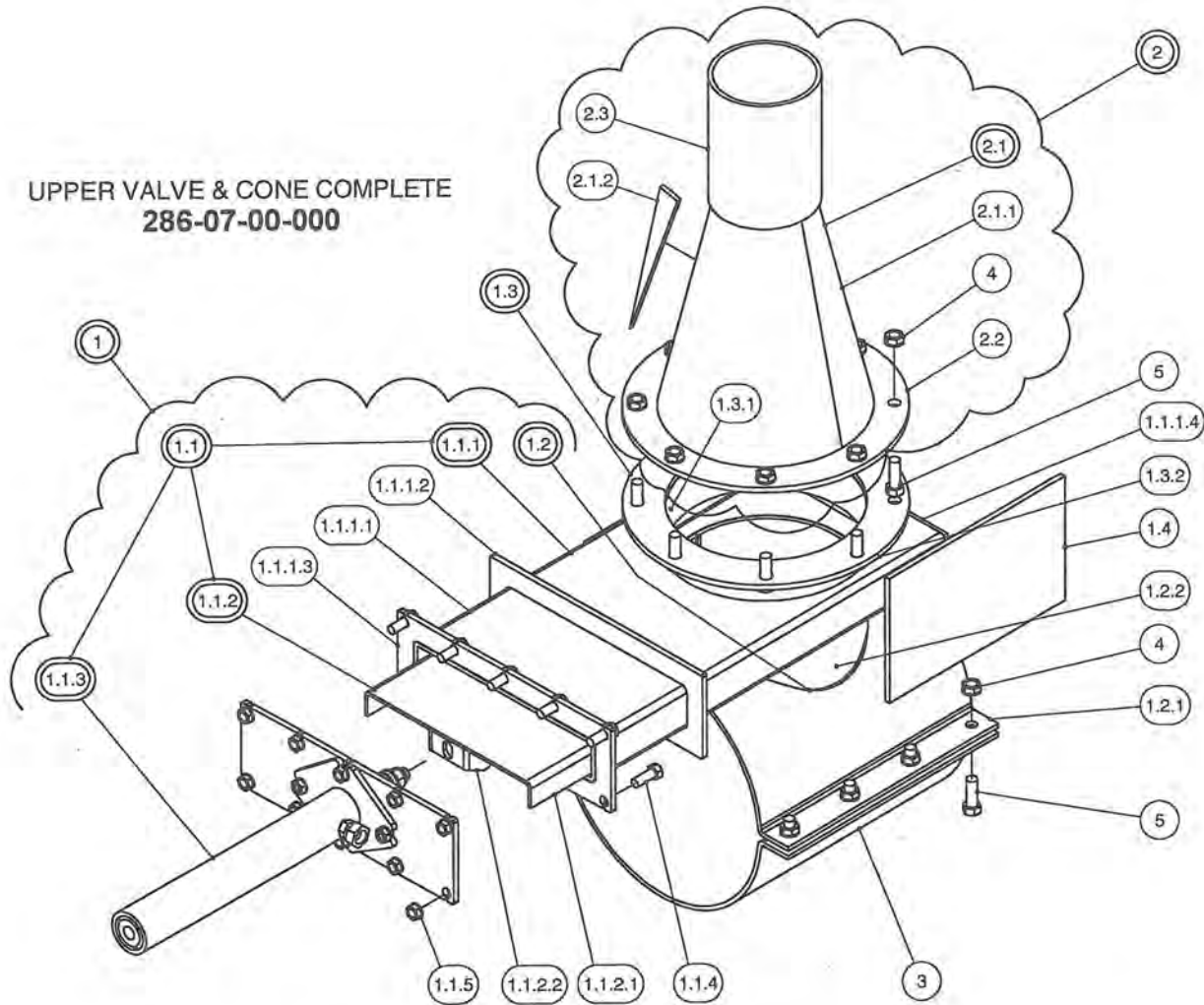


**HYDRAULIC CYLINDER KIT
286-03-04-000**

PARTS LIST			
ITEM	PART NUMBER	DESCRIPTION	QTY
1	286-03-05-000	HYDRAULIC CYLINDER TUBE ASSY	1
1.1	286-03-05-016	CYLINDER TUBE FLANGE	1
1.2	286-03-05-017	HYDRAULIC CYLINDER TUBE	1
1.3	340-36-18-431	END CAP	1
2	286-03-04-018	CYLINDER SHAFT	1
3	286-03-04-019	FLANGE	1
4	340-36-00-435	CYLINDER PLUNGER	1
5	340-36-00-434	WIPER BLOCK	1
6	R07885	1/2 - 2 WAY LOCK NUT	1
7	R07776	3/8" x 3/4" CARRIAGE BOLT	2
8	R07794	3/8 FLANGE NUT	2
9	R21287	1/4M x 3/8 SWIVEL ADAPTER	1
10	R20867	BACKUP RING #8-218	2
11	R20866	O-RING #11-218	3
12	R20865	O-RING #11-014	1
13	R20774	3/4" HYTREL ROD WIPER 52-750	1
14	R20771	O-RING #11-210	1
15	R20862	3/4" BACKUP #210	1
16	R08222	1/2" SAE S.S. FLAT WASHER	2
17	R08229	1/2" S.S. NYLOC HEX NUT	1

UPPER VALVE & CONE COMPLETE - 10in

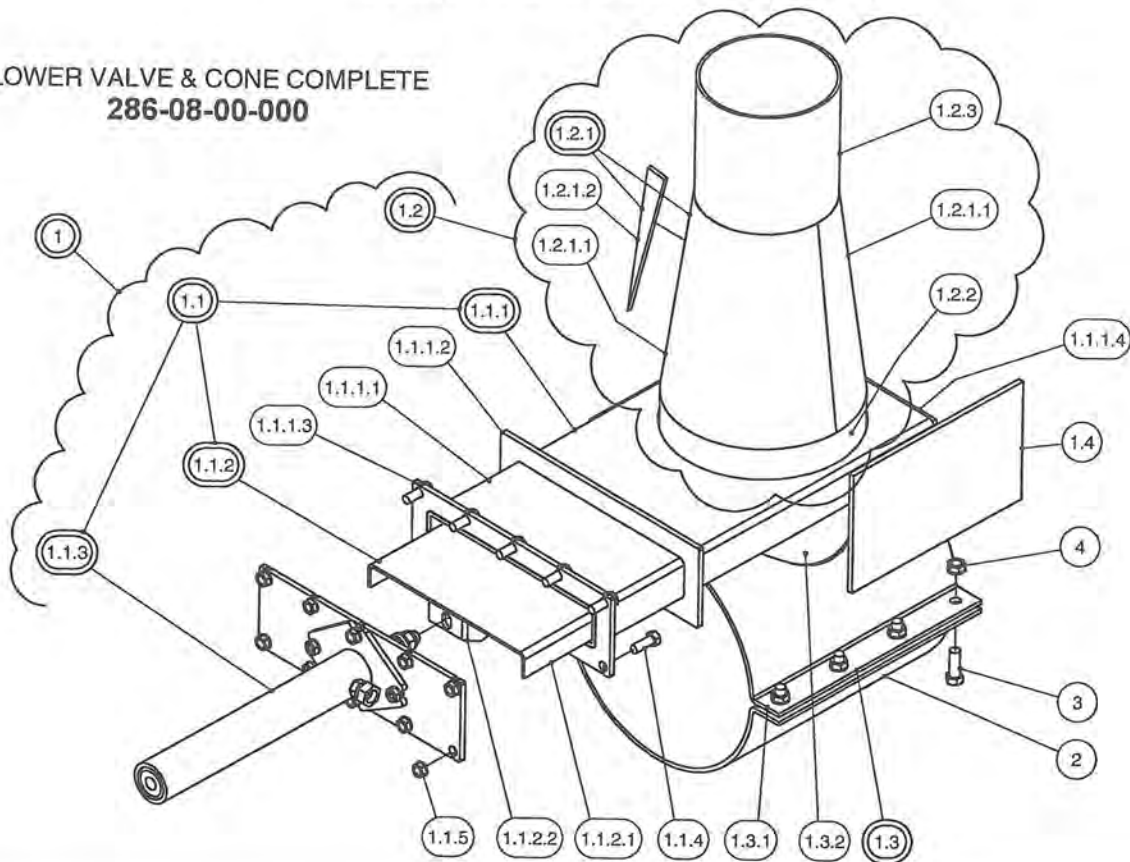
**UPPER VALVE & CONE COMPLETE
286-07-00-000**



PARTS LIST				PARTS LIST			
ITEM	PART NUMBER	DESCRIPTION	QTY	ITEM	PART NUMBER	DESCRIPTION	QTY
1	286-07-02-000	UPPER VALVE AND FLANGE ASSY	1	1.2.2	286-07-01-041	VALVE TEE SIDE	1
1.1	244-25-00-000	VALVE AND CYLINDER COMPLETE	1	1.3	242-20-51-000	UPPER CONE FLANGE ASSY	1
1.1.1	244-14-01-000	VALVE BODY ASSY	1	1.3.1	242-93-23-224	CONE MOUNT	1
1.1.1.1	244-14-01-323	VALVE BODY	1	1.3.2	242-58-48-285	DEFLECTOR FLANGE	1
1.1.1.2	244-14-01-324	VALVE BODY SUPPORT	1	1.4	286-07-02-084	REINFORCING SIDE PLATE	2
1.1.1.3	242-97-00-231	VALVE INNER FLANGE	1	2	242-20-53-000	UPPER CONE AND FLANGE ASSY	1
1.1.1.4	242-97-00-230	VALVE END CAP	1	2.1	242-20-29-000	UPPER CONE ASSY	1
1.1.2	242-36-42-000	VALVE GATE ASSY	1	2.1.1	242-20-29-244	UPPER DISCHARGE CONE	2
1.1.2.1	242-36-42-268	VALVE GATE	1	2.1.2	242-07-00-046	CONE RIBS	4
1.1.2.2	242-36-42-269	VALVE GATE BRKT	1	2.2	242-58-48-285	DEFLECTOR FLANGE	1
1.1.3	244-26-00-000	HYDRAULIC CYLINDER KIT	1	2.3	242-20-53-397	UPPER CONE EXTENSION PIPE	1
1.1.4	R07619	3/8 x 1 HEX BOLT	10	3	286-07-00-042	LOWER CLAMP ON BRKT	1
1.1.5	R07794	3/8 FLANGE NUT	10	4	R07879	7/16 FLANGE NUT	16
1.2	286-07-01-000	VALVE CLAMP & BRKT ASSY	1	5	R07671	7/16 x 1 1/4 HEX BOLT	16
1.2.1	286-07-01-040	VALVE CLAMP ON BRACKET	1				

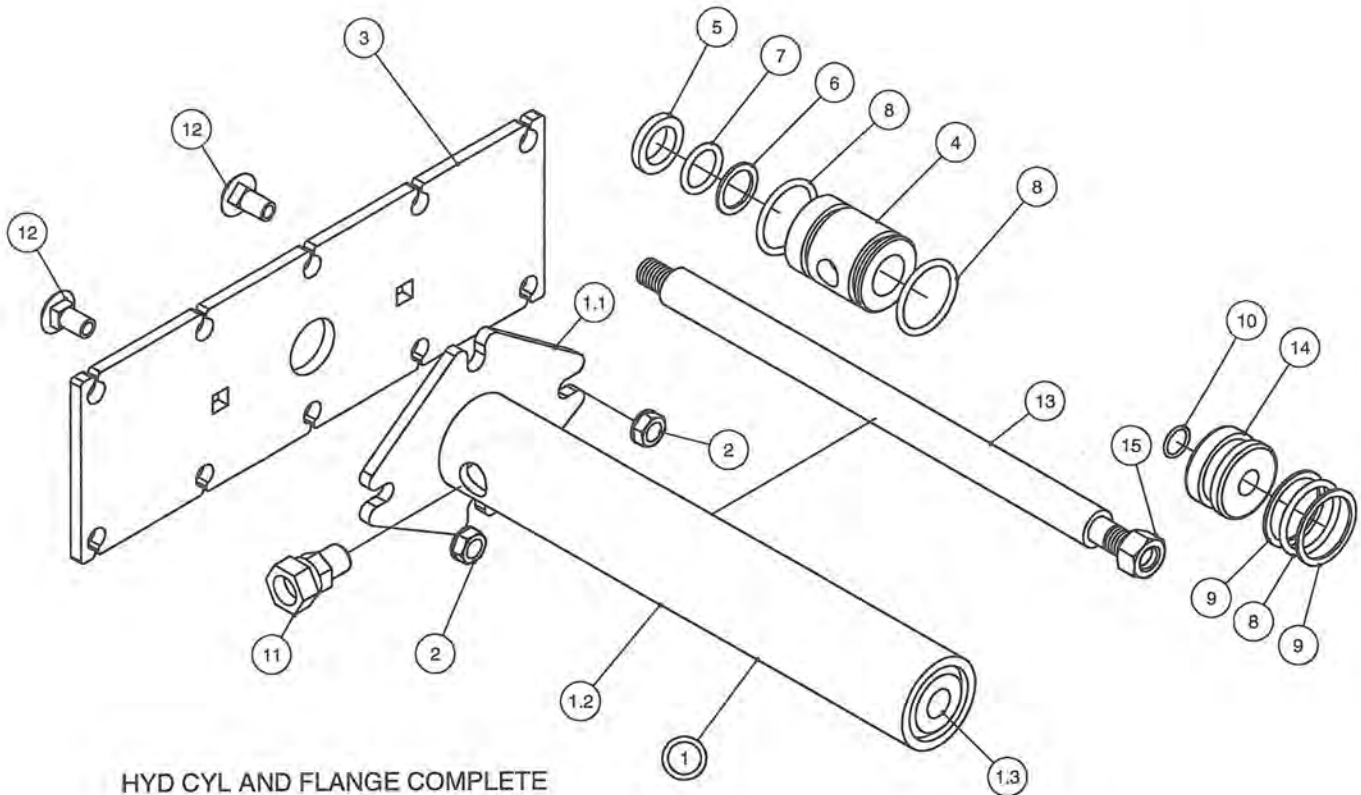
LOWER VALVE & CONE COMPLETE

LOWER VALVE & CONE COMPLETE
286-08-00-000



PARTS LIST			
ITEM	PART NUMBER	DESCRIPTION	QTY
1	286-08-01-000	LOWER VALVE, CONE AND CLAMP ASSY	1
1.1	244-25-00-000	VALVE AND CYLINDER COMPLETE	1
1.1.1	244-14-01-000	VALVE BODY ASSY	1
1.1.1.1	244-14-01-323	VALVE BODY	1
1.1.1.2	244-14-01-324	VALVE BODY SUPPORT	1
1.1.1.3	242-97-00-231	VALVE INNER FLANGE	1
1.1.1.4	242-97-00-230	VALVE END CAP	1
1.1.2	242-36-42-000	VALVE GATE ASSY	1
1.1.2.1	242-36-42-268	VALVE GATE	1
1.1.2.2	242-36-42-269	VALVE GATE BRKT	1
1.1.3	244-26-00-000	HYDRAULIC CYLINDER KIT	1
1.1.4	R07619	3/8 x 1 HEX BOLT	10
1.1.5	R07794	3/8 FLANGE NUT	10
1.2	242-93-40-000	LOWER CONE AND MOUNT ASSY	1
1.2.1	242-93-23-000	LOWER CONE ASSY	1
1.2.1.1	242-93-23-226	DISCHARGE CONE	2
1.2.1.2	242-07-00-046	CONE RIBS	4
1.2.2	242-93-23-224	CONE MOUNT	1
1.2.3	242-93-40-398	LOWER CONE EXTENSION	1
1.3	286-07-01-000	VALVE CLAMP & BRKT ASSY	1
1.3.1	286-07-01-040	VALVE CLAMP ON BRACKET	1
1.3.2	286-07-01-041	VALVE TEE SIDE	1
1.4	286-07-02-084	REINFORCING SIDE PLATE	2
2	286-07-00-042	LOWER CLAMP ON BRKT	1
3	R07671	7/16 x 1 1/4 HEX BOLT	8
4	R07879	7/16 FLANGE NUT	8

HYDRAULIC CYLINDER AND FLANGE COMPLETE

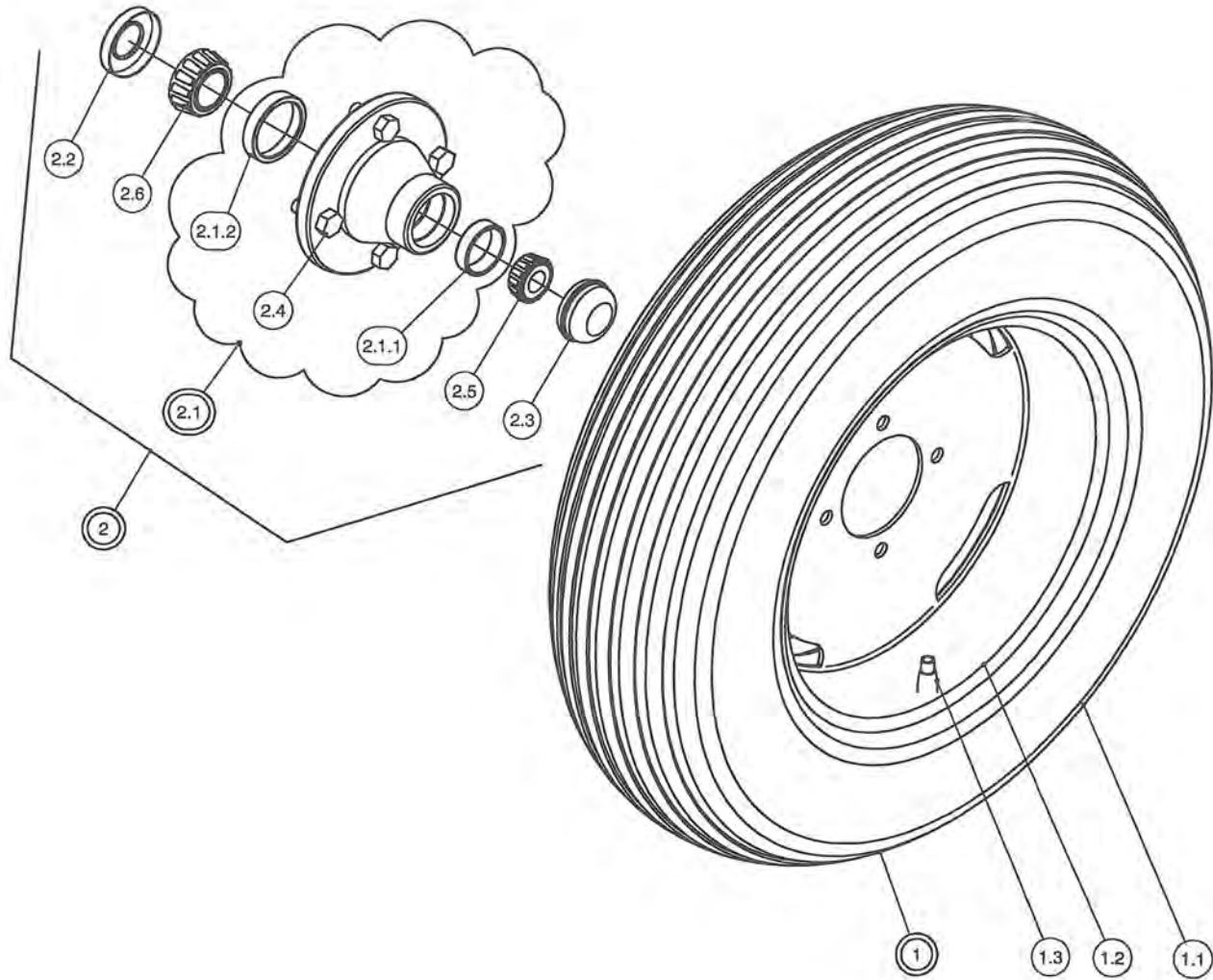


**HYD CYL AND FLANGE COMPLETE
244-58-01-000**

"O" RING KIT FOR CYLINDER 340-47-00-000

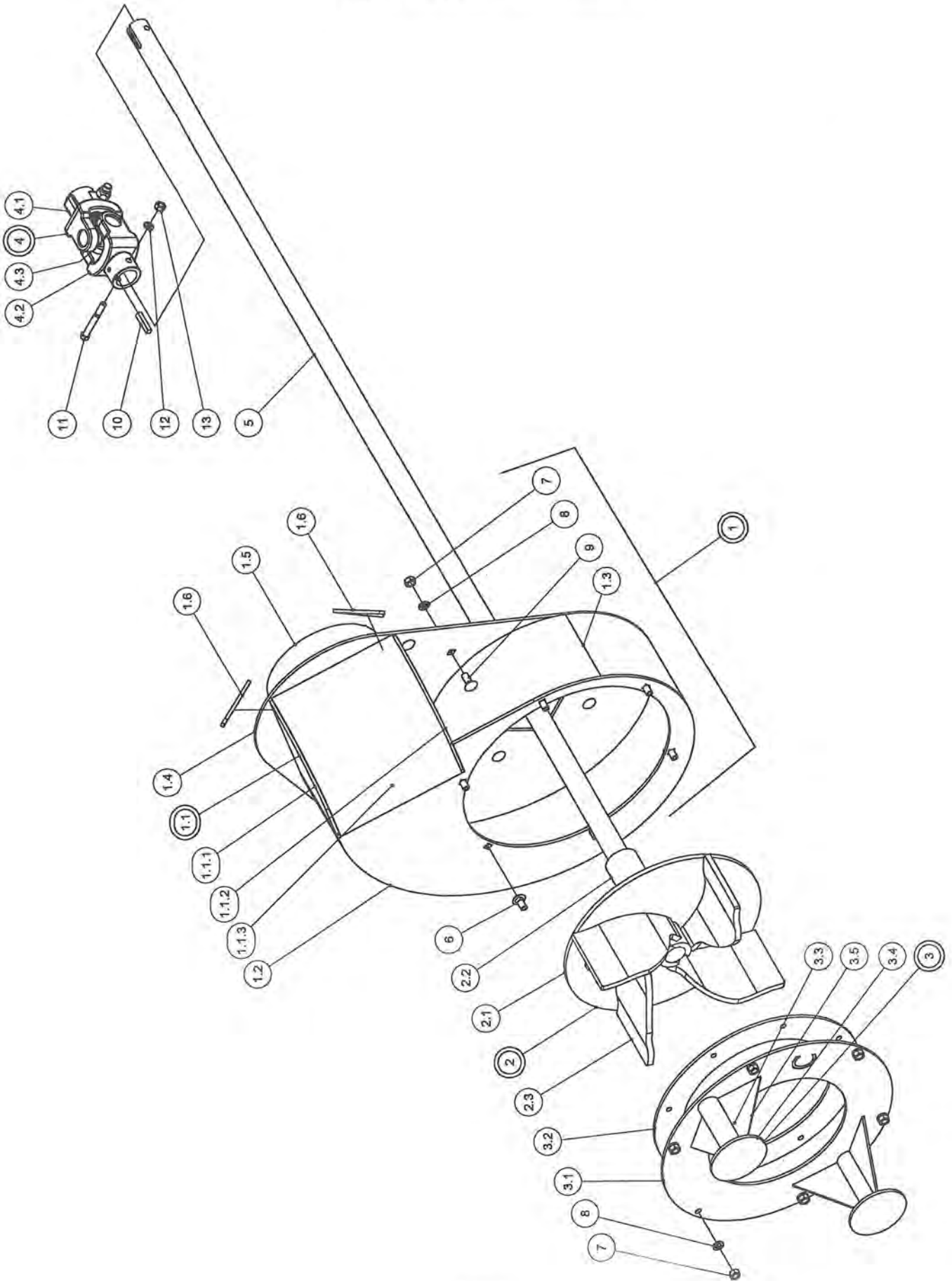
PARTS LIST			
ITEM	PART NUMBER	DESCRIPTION	QTY
1	244-58-09-000	HYDRAULIC CYLINDER TUBE ASSY	1
1.1	244-26-01-344	CYLINDER TUBE FLANGE	1
1.2	244-26-01-343	HYDRAULIC CYLINDER TUBE	1
1.3	340-36-18-431	END CAP	1
2	R07794	3/8 FLANGE NUT	2
3	244-26-00-345	FLANGE	1
4	340-36-00-434	WIPER BLOCK	1
5	R20774	3/4" HYTREL ROD WIPER 52-750	1
6	R20862	3/4" BACKUP #210	1
7	R20771	O-RING #11-210	1
8	R20866	O-RING #11-218	3
9	R20867	BACKUP RING #8-218	2
10	R20865	O-RING #11-014	1
11	R21287	1/4M x 3/8 SWIVEL ADAPTER	1
12	R07776	3/8" x 3/4" CARRIAGE BOLT	2
13	244-58-01-394	CYLINDER SHAFT	1
14	340-36-00-435	CYLINDER PLUNGER	1
15	R07885	1/2 - 2 WAY LOCK NUT	1

TIRE, WHEEL AND HUB



PARTS LIST			
ITEM	PART NUMBER	DESCRIPTION	QTY
1	250-65-00-000	TIRE & WHEEL ASSY - 5.9 x 15	1
1.1	R20016	5.9 x 15 RIB IMPLEMENT TIRE	1
1.2	R20057	4.5 x 15 WHEEL - 4 BOLT	1
1.3	R20020	VALVE STEM	1
2	250-60-30-000	H-411 HUB COMPLETE	1
2.1	R20139	H-411 HUBS w/ CUPS	1
2.1.1	R20130	LM11910 O.CUP	1
2.1.2	R20129	LM67010 I.CUP	1
2.2	R20144	OIL SEAL	1
2.3	R20143	DUST CAP	1
2.4	R20145	WB55 1/2 x 1 WHEEL BOLT	4
2.5	R20158	LM67048 OUTER CONE	1
2.6	R20159	LM29748 INNER CONE	1

H-10000 HOUSING & IMPELLER



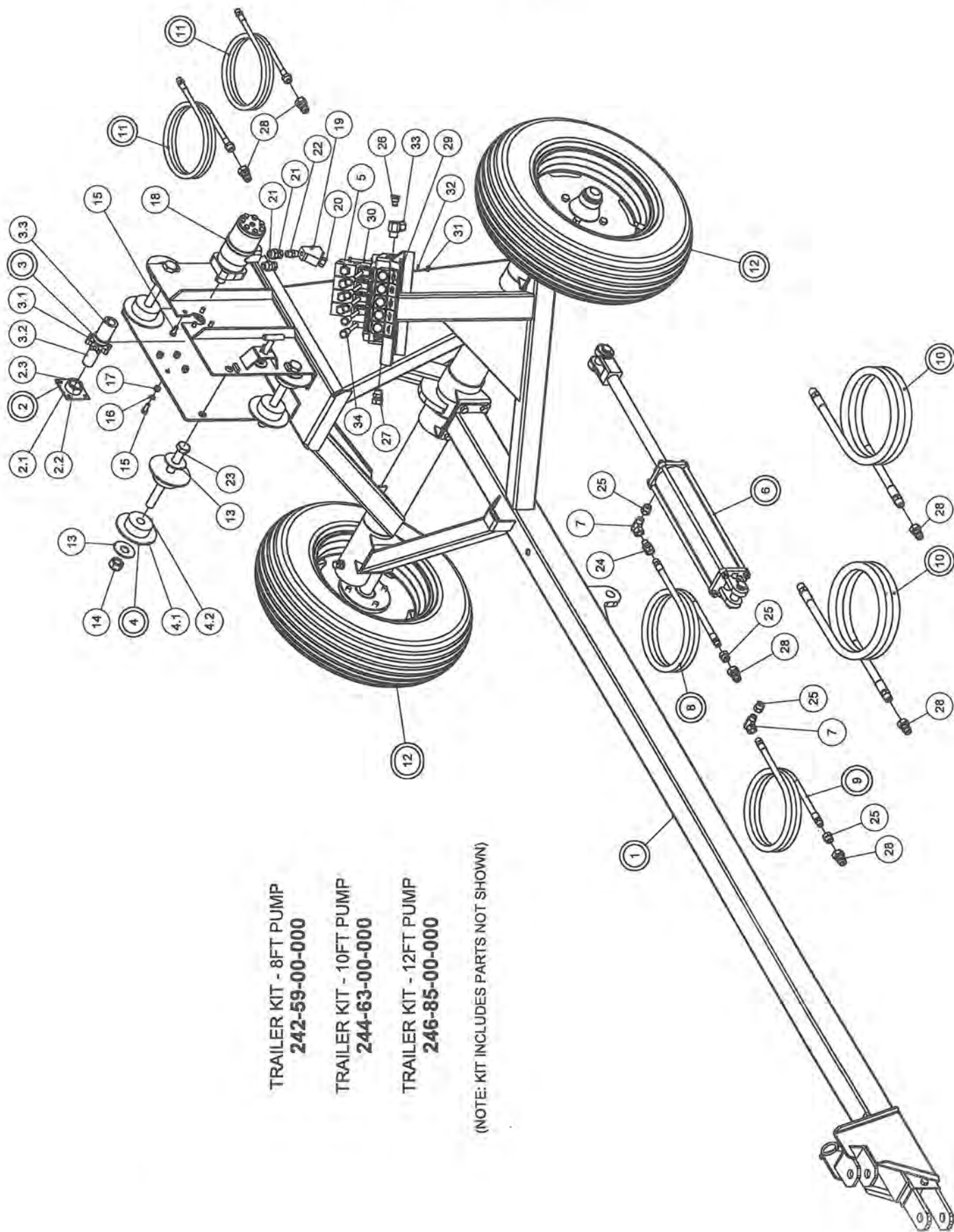
H-10000 HOUSING & IMPELLER

PARTS LIST			
ITEM	PART NUMBER	DESCRIPTION	QTY
1	286-01-00-000	HOUSING ASSY	1
1.1	286-01-01-000	BOOT ASSY	1
1.1.1	286-01-01-006	SIDE PLATE UPPER	1
1.1.2	286-01-01-007	SIDE PLATE LOWER	1
1.1.3	286-01-01-008	CURVE PLATE	1
1.2	286-01-00-002	HOUSING LOWER PLATE	1
1.3	286-01-00-003	HOUSING LOWER PLATE	1
1.4	286-01-00-001	HOUSING UPPER PLATE	1
1.5	286-01-00-004	OUTLET PIPE	1
1.6	286-01-00-005	CORNER GUSSET	2
2	244-34-00-000	IMPELLER ASSY	1
2.1	244-34-00-358	CHT IMPELLER BACK PLATE	1
2.2	244-18-00-331	IMPELLER SLEEVE	1
2.3	244-34-00-359	CHT IMPELLER BLADE	4
3	286-11-00-000	CHT COVER PLATE ASSY	1
3.1	286-11-00-046	CHT COVER PLATE	1
3.2	244-33-00-357	CHT COVER PLATE SUPPORT	1
3.3	250-04-03-013	FOOT PLATE	2
3.4	250-04-03-012	FOOT END	2
3.5	250-04-00-173	FOOT GUSSET	4
4	242-54-00-000	KNUCKLE ASSY	1
4.1	R22028	1 3/4" QD YOKE 27T C/W BOLT & NUT	1
4.2	R22030	1 3/4" ROUND HOLE YOKE	1
4.3	R22029	CROSS KIT	1
5	242-00-00-258	DRIVE SHAFT - 8FT MODEL	1
	244-00-00-259	DRIVE SHAFT - 10FT MODEL	*
	246-00-00-260	DRIVE SHAFT - 12FT MODEL	*
6	R07741	1/2" x 1" CARRIAGE BOLT	6
7	R07785	1/2 HEX NUT	19
8	R07805	1/2 LOCK WASHER	19
9	R07742	1/2" x 1 1/4" CARRIAGE BOLT	13
10	270-00-00-075	3/8 KEY - 50mm LONG	1
11	R07633	7/16 x 3 1/2 HEX BOLT	1
12	R07804	7/16 LOCK WASHER	1
13	R07784	7/16 HEX NUT	1

H-10000 DRIVE SHAFT TUBE

PARTS LIST				PARTS LIST			
ITEM	PART NUMBE	DESCRIPTION	QTY	ITEM	PART NUMBE	DESCRIPTION	QTY
1	288-17-00-000	DRIVE SHAFT TUBE ASSY - 12ft MODEL	*	7	242-45-00-000	PTO GUARD AND BRKT KIT	1
1	287-15-00-000	DRIVE SHAFT TUBE ASSY - 10ft MODEL	*	7.1	244-04-00-000	PTO GUARD ASSY	1
1	286-06-00-000	DRIVE SHAFT TUBE ASSY - 8ft MODEL	1	7.1.1	244-04-00-264	PTO GUARD	1
1.1	286-06-00-036	DRIVE SHAFT TUBE - 8ft MODEL	1	7.1.2	244-04-00-265	REINFORCING ANGLE	1
	287-15-00-049	DRIVE SHAFT TUBE - 10ft MODEL	*	7.2	242-16-00-000	RH STABILIZER BRKT ASSY	1
	288-17-00-051	DRIVE SHAFT TUBE - 12ft MODEL	*	7.2.1	242-16-00-079	STABILIZER BRKT	1
1.2	286-06-00-039	DRIVE SHAFT TUBE FLANGE-UPPER	1	7.2.2	242-16-00-080	SPRING RETAINING ROD	1
1.3	286-06-00-037	SHAFT TUBE FLANGE-LOWER	1	7.3	242-96-00-000	LH STABILIZER BRKT ASSY	1
1.4	286-06-00-038	SHAFT UTBE GUSSET	2	7.3.1	242-16-00-079	STABILIZER BRKT	1
1.5	286-06-00-052	GUSSET STOP PLATE	2	7.3.2	242-16-00-080	SPRING RETAINING ROD	1
1.6	242-11-00-064	TUBE GUSSET	2	7.4	R07671	7/16 x 1 1/4 HEX BOLT	2
1.7	242-11-00-061	TIGHTENER BRACKET	1	7.5	R07824	7/16 FLAT WASHER	2
1.8	242-11-00-059	CHAIN HOLD DOWN BRACKET	1	7.6	R07891	7/16 2-WAY LOCK NUT	2
1.9	R08304	1/2 S.S. FLANGE NUT	3	7.7	R08025	STABILIZER SPRING	1
1.10	R08433	3/4-10 UNC PLATED FLANGE NUT	2	7.8	R21521	"ROTATING DRIVE LINE" DECAL	1
2	242-00-00-065	ROLLER CHAIN - 8 FT	1	8	242-00-00-066	CHAIN TIGHTENER	1
	244-00-00-169	ROLLER CHAIN - 10 FT	*	9	R07868	3/8 x 1 1/2 SOC. HD CAP SCREW	1
	246-00-00-177	ROLLER CHAIN - 12 FT	*	10	R07673	5/8 x 1 1/4" UNC HEX BOLT	6
3	286-25-00-000	GEARBOX BRKT ASSY-SUPERIOR	1	11	R07646	5/8-11 UNC x 1.5 HEX BOLT	6
3.1	286-25-00-088	RH GEARBOX BRKT	1	12	R07786	5/8 HEX NUT	4
3.2	286-25-00-087	LH GEARBOX BRKT	1	13	R07806	5/8 LOCK WASHER	6
3.3	286-18-00-053	GEARBOX LOWER PLATE	1	14	R07674	1/2 x 1 1/4 HEX BOLT	8
3.4	286-18-00-056	GEARBOX TOP PLATE	1	15	R07805	1/2 LOCK WASHER	8
3.5	286-25-00-089	GUSSET	2	16	R07785	1/2 HEX NUT	6
4	R22478	SUPERIOR GEARBOX 1-1	1	17	R22148	5.40" SQ WOOD BEARING	1
5	244-88-00-000	WOOD BEARING GREASE BOLT KIT	1	18	R07826	5/8 FLAT WASHER	2
5.1	244-88-00-451	WOOD BEARING GREASE BOLT	1	19	R09638	RUBBER WASHER 7/8 X 1/2" X 1/8"	2
5.2	R08183	1/4" - 28 STRAIGHT GREASE FITTING	1	20	242-00-00-338	FLIP GUARD SPACER	2
6	296-09-00-000	2 3/4" MARINE BRG & HOLDER COMPLETE	1	21	R09071	SERIAL NUMBER PLATE	1
6.1	296-09-01-000	2 3/4" BEARING HOLDER ASSY	1	22	R08152	6 x 1/4 PAN HD SOCKET SCREW	2
6.1.1	244-13-01-320	HOLDER TUBE	1	23	R07797	3/8" UNF HEX NUT	1
6.1.2	296-09-01-052	LARGE MARINE BEARING HOLDER FLANGE	2	24	244-97-00-000	3/4" S.S. SET SCREW ASSY	2
6.1.3	244-13-01-322	SET SCREW SEAT	2	24.1	R08432	3/4-10 SS UNC HEX NUT	1
6.2	R20224	H5000 2 3/4" URETHENE FOR BRG	1	24.2	244-97-00-522	3/4" S.S. REDDI THREAD SET SCREW	1
				25	R07847	3/4-10 UNC JAM NUT	2

TRAILER COMPLETE



TRAILER KIT - 8FT PUMP
242-59-00-000

TRAILER KIT - 10FT PUMP
244-63-00-000

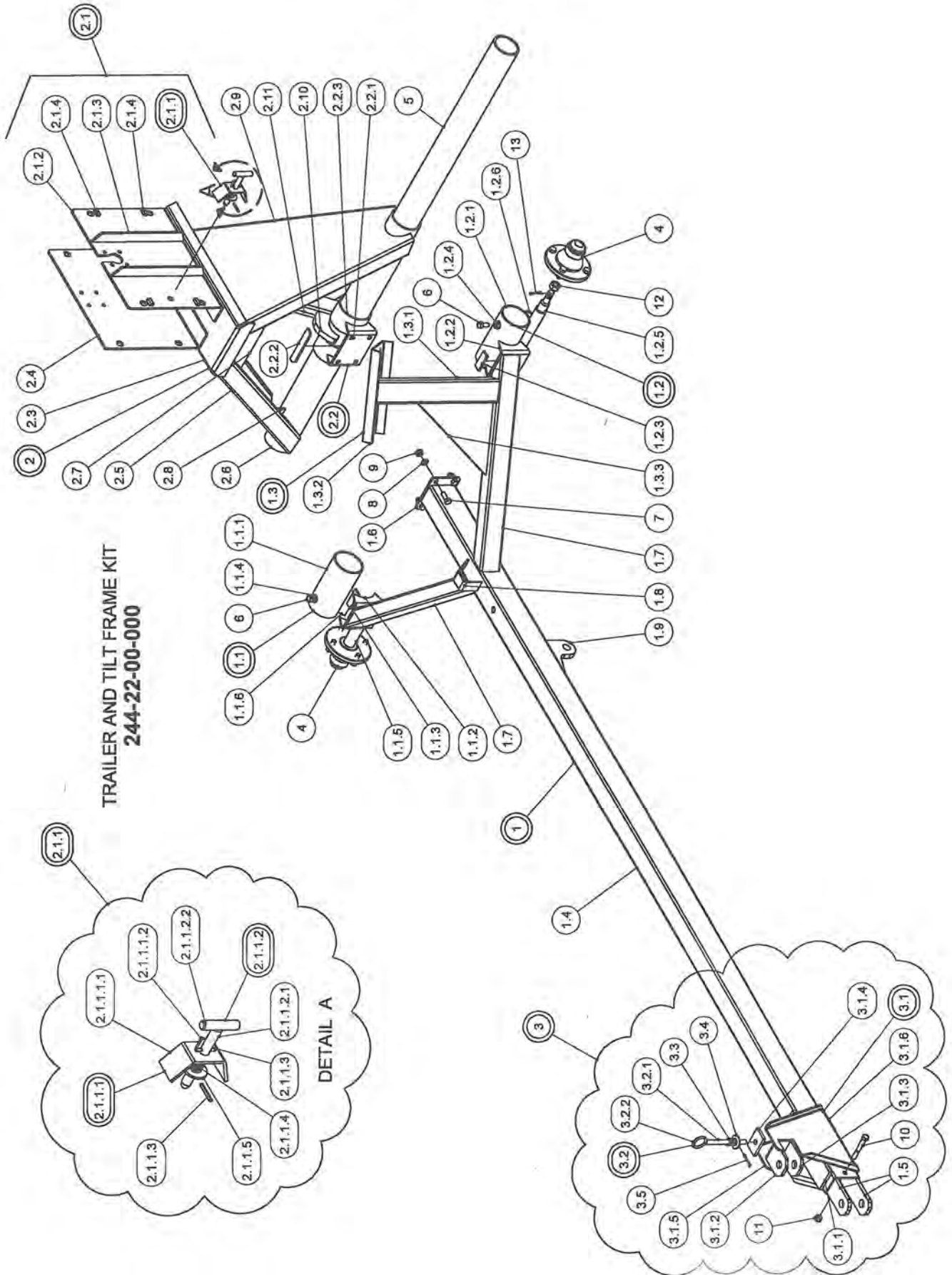
TRAILER KIT - 12FT PUMP
246-85-00-000

(NOTE: KIT INCLUDES PARTS NOT SHOWN)

TRAILER COMPLETE

PARTS LIST			
ITEM	PART NUMBER	DESCRIPTION	QTY
1	244-22-00-000	TRAILER AND TILT FRAME KIT	1
2	242-26-00-000	BUSHING HOLDER ASSY	1
2.1	242-26-00-133	BUSHING HOLDER PLATE	1
2.2	242-26-00-134	BUSHING HOLDER	1
2.3	R20259	BUSHING 1 1/4 x 1 1/2 x 3/4 LONG	1
3	242-25-00-000	SPROCKET DRIVE ASSY	1
3.1	250-25-00-257	80 B8 SROCKET w/ 1 1/4" BORE	1
3.2	242-25-00-131	SPROCKET SHAFT	1
3.3	242-25-00-132	MOTOR TO SHAFT COUPLING	1
4	242-24-00-000	SPOOL ROLLER ASSY	8
4.1	242-24-00-129	SPOOL END PLATE	1
4.2	242-24-00-128	SPOOL HOLDER	1
5	R22250	5 BANK MONOBLOCK VALVE	1
6	R20729	3 x 14 HYDRAULIC CYLINDER	1
7	R21366	3/8" x 90 DEG. NPT STREET ELBOW	2
8	244-47-00-000	HYD HOSE ASSY-TRACTOR TO TIP CYLINDER	1
9	246-20-00-000	HYD HOSE ASSY-TRACTOR TO TIP CYLINDER	1
10	290-33-00-000	1/2" HYDRAULIC HOSE ASSY	2
11	244-80-00-000	HYD HOSE ASSY-TRACTOR TO ORBIT MOTOR	2
12	250-65-00-000	TIRE & WHEEL ASSY - 5.9 x 15	2
13	R07828	1" FLAT WASHER	8
14	R08047	7/8 - 2 WAY LOCK NUT	4
15	R07670	3/8 x 7/8 HEX BOLT	8
16	R07803	3/8 LOCK WASHER	8
17	R07783	3/8 HEX NUT	4
18	R22255	M&S HYDRAULIC MOTOR	1
19	R22597	ORIFICE BLOCK	1
20	R22598	ORIFICE CARTRIDGE .023	1
21	R21278	7/8-14 SAE M x 3/8 NPT F ADAPTER	2
22	R21397	3/8" HYDRAULIC NIPPLE	1
23	R07697	7/8 X 9" HEX BOLT	4
24	R21336	3/8 - 18 RESTRICTOR	1
25	R02043	BUSHING 1/2 x 3/8	4
26	R22252	3/4 SAE ADAPTOR PLUG w/ O-RINGS-CLOSED CENTER	1
27	R21276	3/4 SAE X 1/2" NPT ADAPTOR	1
28	R21342	1/2" MALE PIONEER TIP	6
29	R09653	CONTROL VALVE STICKER-H5	1
30	R07614	5/16" x 2 1/2 HEX BOLT	3
31	R07782	5/16 HEX NUT	3
32	R07802	5/16 LOCK WASHER	3
33	R20814	3/4 SAE x 1/2" NPT x 90° SWIVEL ADAPTOR	1
34	R22251	VALVE HANDLE ASSY	5

TRAILER & TILT FRAME KIT

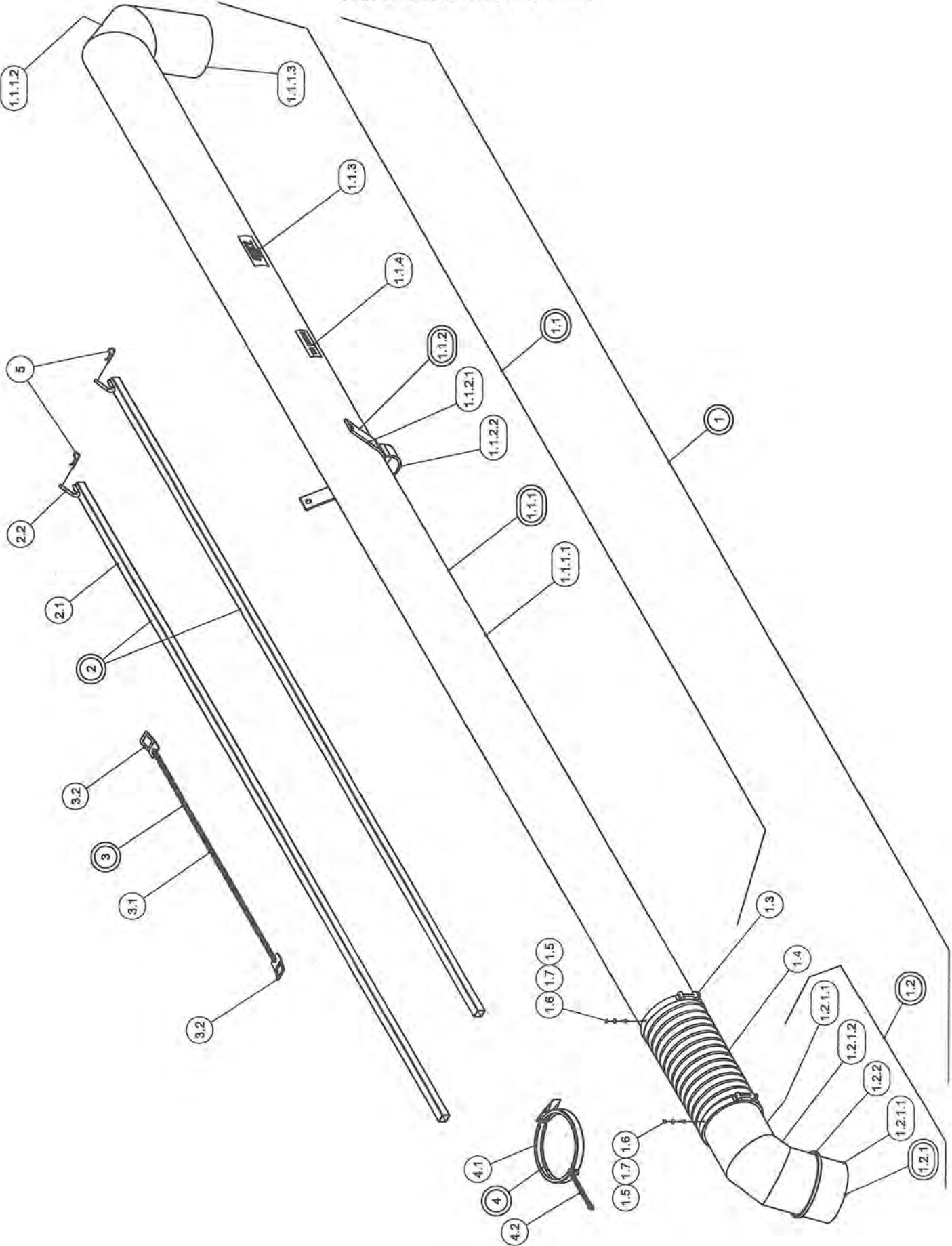


TRAILER AND TILT FRAME KIT
244-22-00-000

TRAILER AND TILT FRAME KIT

PARTS LIST				PARTS LIST			
ITEM	PART NUMBER	DESCRIPTION	QTY	ITEM	PART NUMBER	DESCRIPTION	QTY
1	242-89-00-000	TRAILER ASSY	1	2.1.4	242-17-13-261	STOP BLOCK	4
1.1	242-18-14-000	RH SPINDLE SLEEVE HOLDER	1	2.2	242-19-00-000	TONGUE AXLE BRKT ASSY	1
1.1.1	242-18-00-102	OUTER SLEEVE	1	2.2.1	242-19-00-107	TONGUE AXLE BRKT	1
1.1.2	242-18-14-100	AXLE BRACE BRKT	1	2.2.2	242-19-00-108	REINFORCING BAR	1
1.1.3	242-18-14-101	REINFORCING BAR	1	2.2.3	242-19-00-109	OUTER SLEEVE	2
1.1.4	R07795	1/2" UNC FLANGE NUT	1	2.3	242-17-00-084	TILT FRAME BASE	1
1.1.5	R20141	SPINDLE	1	2.4	242-17-00-083	LH SPOOL HOLDER	1
1.1.6	242-89-00-215	SPINDLE REINFORCING BAR	1	2.5	242-17-00-085	LH SUPPORT ARM	1
1.2	242-18-28-000	LH SPINDLE SLEEVE HOLDER	1	2.6	242-17-00-090	WHEEL SHAFT SLEEVE	1
1.2.1	242-18-00-102	OUTER SLEEVE	1	2.7	242-17-00-088	TILT FRAME GUSSET	1
1.2.2	242-18-14-100	AXLE BRACE BRKT	1	2.8	242-17-00-091	SUPPORT ARM GUSSET	2
1.2.3	242-18-14-101	REINFORCING BAR	1	2.9	242-17-00-086	RH SUPPORT ARM	1
1.2.4	R07795	1/2" UNC FLANGE NUT	1	2.10	242-17-00-089	CYLINDER AXLE BRKT	1
1.2.5	R20141	SPINDLE	1	2.11	242-17-00-087	REINFORCING BARS	2
1.2.6	242-89-00-215	SPINDLE REINFORCING BAR	1	3	244-06-00-000	HITCH KIT	1
1.3	242-18-15-000	CONTROL VALVE STAND ASSY	1	3.1	242-99-00-000	HITCH ASSY	1
1.3.1	242-18-15-103	CONTROL VALVE STAND TUBE	1	3.1.1	242-99-00-238	HITCH BRKT	1
1.3.2	242-18-15-104	CONTROL VALVE PLATE	1	3.1.2	242-99-00-239	UPPER TONGUE PLATE	1
1.3.3	242-18-15-106	STANDTUBE GUSSET	1	3.1.3	242-99-00-240	LOWER TONGUE PLATE	1
1.4	242-18-00-092	TRAILER TUBE	1	3.1.4	242-99-00-242	PIN BRKT	1
1.5	242-89-00-243	TRAILER TUBE TONGUE PLATE	2	3.1.5	242-99-00-245	RH SIDE PLATE	1
1.6	242-18-00-099	TONGUE BRKT	1	3.1.6	242-99-00-241	LH SIDE PLATE	1
1.7	242-18-00-093	FRAME TUBE BRACE	2	3.2	242-98-00-000	DROP PIN ASSY	1
1.8	242-18-00-095	ROLLER CASE STOP	1	3.2.1	242-98-00-233	DROP PIN	1
1.9	242-18-00-096	CYLINDER GUSSET	1	3.2.2	250-00-00-354	1/4 X 1 1/2" RING	1
2	242-17-00-000	*A* FRAME ASSY	1	3.3	R08027	7/8 x 1 3/8 COMP. SPRING	1
2.1	242-17-13-000	RH SPOOL HOLDER ASSY	1	3.4	R07826	5/8 FLAT WASHER	1
2.1.1	242-27-00-000	SIDE LOCK KIT	1	3.5	R08207	5/32 x 1 1/2 S.S. COTTER PIN	1
2.1.1.1	242-17-17-000	SIDE LOCK BRACKET ASSY	1	4	250-60-30-000	H-411 HUB COMPLETE	2
2.1.1.1.1	242-17-17-193	SIDE LOCK BRACKET	1	5	242-00-00-113	INNER AXLE	1
2.1.1.1.2	242-17-17-194	PIN STOP	1	6	R07637	1/2 x 1 HEX BOLT	2
2.1.1.2	242-17-18-000	SIDE LOCK PIN ASSY	1	7	R07674	1/2 x 1 1/4 HEX BOLT	4
2.1.1.2.1	242-17-18-195	SIDE LOCK PIN	1	8	R07805	1/2 LOCK WASHER	4
2.1.1.2.2	242-17-18-196	PIN HANDLE	1	9	R07785	1/2 HEX NUT	4
2.1.1.3	R07943	3/16 x 1 1/2 ROLL PIN	2	10	R07642	1/2 x 3 1/2 HEX BOLT	1
2.1.1.4	R08027	7/8 x 1 3/8 COMP. SPRING	1	11	R07885	1/2 - 2 WAY LOCK NUT	1
2.1.1.5	R07826	5/8 FLAT WASHER	1	12	R20142	SLOTTED HEX NUT	2
2.1.2	242-17-13-081	RH SPOOL HOLDER	1	13	R08207	5/32 x 1 1/2 S.S. COTTER PIN	2
2.1.3	242-17-13-082	SPOOL HOLDER BRACE	2				

10in DISCHARGE PIPE KIT



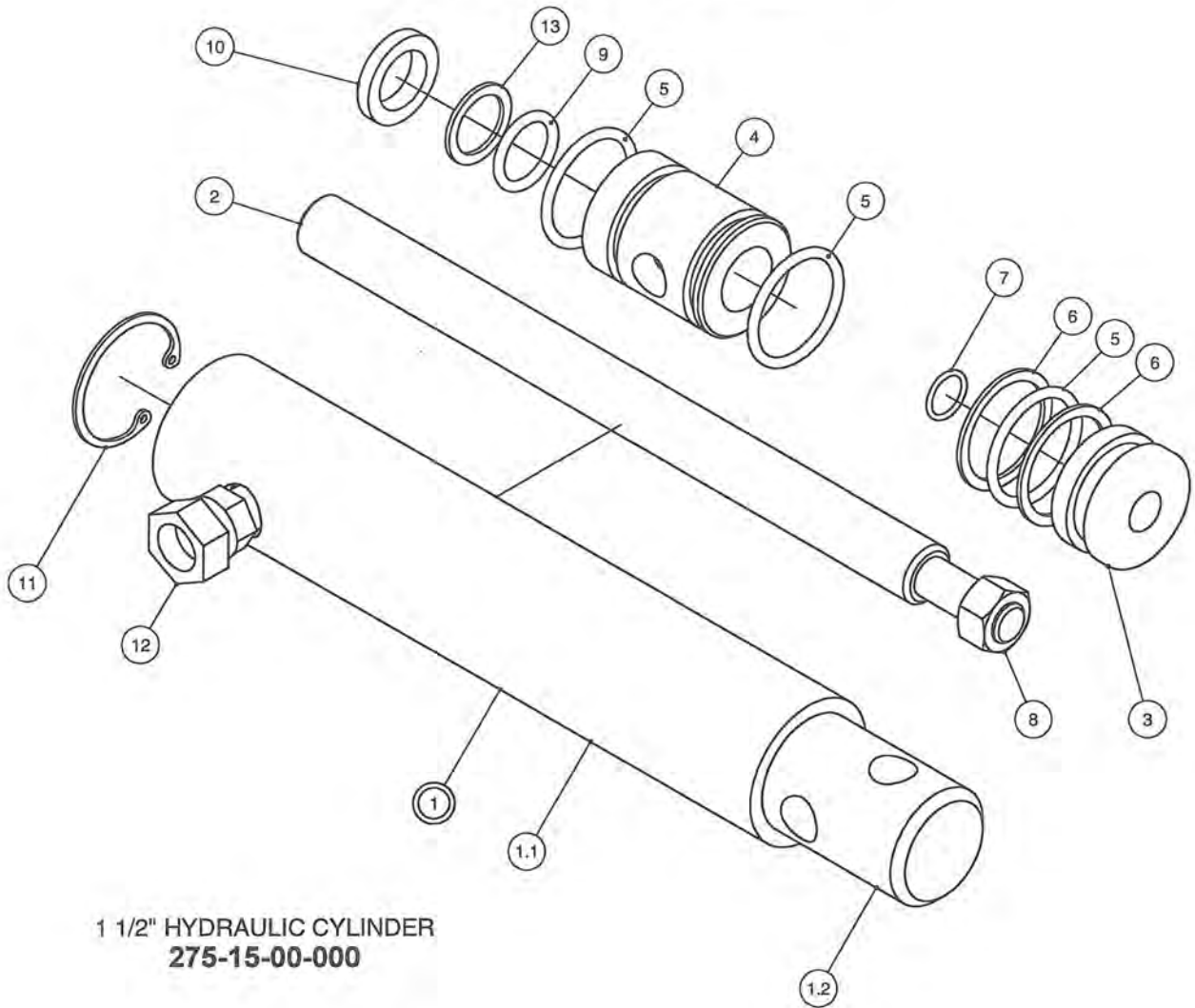
10in DISCHARGE PIPE KIT

PARTS LIST			
ITEM	PART NUMBER	DESCRIPTION	QTY
1	286-10-00-000	10" DISCHARGE PIPE KIT	1
1.1	286-10-01-000	20 FT DISCHARGE PIPE ASSY - 10"	1
1.1.1	286-10-01-045	DISCHARGE PIPE	1
1.1.1.1	286-10-01-045-A	DISCHARGE PIPE A	1
1.1.1.2	286-10-01-045-B	DISCHARGE PIPE MIDDLE ELBOW PC	1
1.1.1.3	286-10-01-045-C	DISCHARGE PIPE END PC	1
1.1.2	286-10-03-000	DISCHARGE PIPE HOOK ASSY	1
1.1.2.1	286-10-03-060	DISCHARGE PIPE HOOK	1
1.1.2.2	286-10-03-061	LOWER DISCHARGE HOOK	1
1.1.3	R09502	"HUSKY" DECAL	1
1.1.4	R09690	"TIE DOWN" DECAL	1
1.2	286-10-02-000	10" ALUMINUM PUMP ELBOW ASSY	1
1.2.1	286-10-02-044	10" ALUMINUM PIPE ELBOW	1
1.2.1.1	286-10-02-044-A	ALUMINUM PIPE ELBOW OUTER PC	2
1.2.1.2	286-10-02-044-B	ALUMINUM PIPE ELBOW MIDDLE PC	1
1.2.2	R02504	10 ALUM. BANDLOCK RING	1
1.3	R02492	10" SUPER CLAMP	2
1.4	286-10-00-047	10" FLEX HOSE	1
1.5	R07677	1/4 x 3/4 HEX BOLT	4
1.6	R07781	1/4 HEX NUT	4
1.7	R07821	1/4 FLAT WASHER	4
2	242-33-00-000	BIPOD LEG ASSY	2
2.1	242-33-00-155	BIPOD LEGS	1
2.2	242-33-00-156	BIPOD LEG HOOK	1
3	242-79-00-000	BIPOD LEG CHAIN ASSY	1
3.1	242-79-00-199	BIPOD LEG CHAIN	1
3.2	242-79-00-198	BIPOD LEG CLIP	2
4	286-13-00-000	10" CLAMP AND CHAIN ASSY	1
4.1	R02500	10" BANDLOC CLAMP	1
4.2	250-97-00-297	CLAMP CHAIN	1
5	R07948	5/32 HAIR PIN	2

H-10000 VERTICAL DEFLECTOR KIT

PARTS LIST			
ITEM	PART NUMBER	DESCRIPTION	QTY
1	286-22-04-000	DEFLECTOR MECHANISM KIT-H10000	1
1.1	286-22-01-000	OUTER PIVOT BRKT ASSY	1
1.1.1	286-22-01-062	HOSE PIPE	1
1.1.2	386-05-02-093	8" OUTER PIVOT BRKT	2
1.1.3	386-05-01-094	GUSSET	2
1.1.4	242-58-48-285	DEFLECTOR FLANGE	1
1.2	286-22-02-000	INNER PIVOT BRKT ASSY	1
1.2.1	286-22-02-067	LONG HOSE CONNECTOR TUBE	1
1.2.2	286-22-02-072	L.H. CYLINDER BRKT	1
1.2.3	286-22-02-073	R.H. CYLINDER BRKT	1
1.2.4	386-05-01-092	8" INNER PIVOT BRKT	2
1.2.5	386-05-01-094	GUSSET	2
1.2.6	244-08-00-307	CLAMP RING	1
1.2.7	250-96-00-298	CHAIN LUG	1
1.3	R02844	8" SPIRAL CLAMP	2
1.4	386-05-03-096	SPACER PIPE	4
1.5	R07733	7/16 x 1 1/2" CARRIAGE BOLT	4
1.6	R07824	7/16 FLAT WASHER	4
1.7	R07891	7/16 2-WAY LOCK NUT	4
1.8	386-05-03-095	8" FLEX HOSE	1
2	275-15-00-000	HYDRAULIC CYLINDER ASSY	1
3	244-09-00-000	8" CLAMP & CHAIN ASSY	1
4	244-67-00-000	HYD HOSE ASSY-CONTROL TO DEFLECTOR	2
5	286-22-03-000	CONE ASSY	1
5.1	286-22-03-069	8" to 6" CONE	2
5.2	244-07-01-306	COUPLING BASE	1
5.3	286-22-03-071	6" DIAMETER EXTENSION TUBE	1
5.4	286-22-03-068	EXTENSION PIPE	1
5.5	244-12-03-341	CONE HANDLE	1
6	R02360	8" SQ RAINWAY/HUSKY GASKET	1
7	R07642	1/2 x 3 1/2 HEX BOLT	1
8	R07805	1/2 LOCK WASHER	1
9	R07785	1/2 HEX NUT	1
10	R21287	1/4M x 3/8 SWIVEL ADAPTER	1
11	242-58-00-293	CYLINDER SHAFT LUG	1
12	R07926	5/16-18 x 1/4" SET SCREW	1
13	R07649	5/8 x 3 HEX BOLT	1
14	R07806	5/8 LOCK WASHER	1
15	R07786	5/8 HEX NUT	1
16	R07675	3/8 x 1 1/4" HEX BOLT	1
17	R07803	3/8 LOCK WASHER	1
18	R07783	3/8 HEX NUT	1
19	R21366	3/8" x 90° NPT STREET ELBOW	1

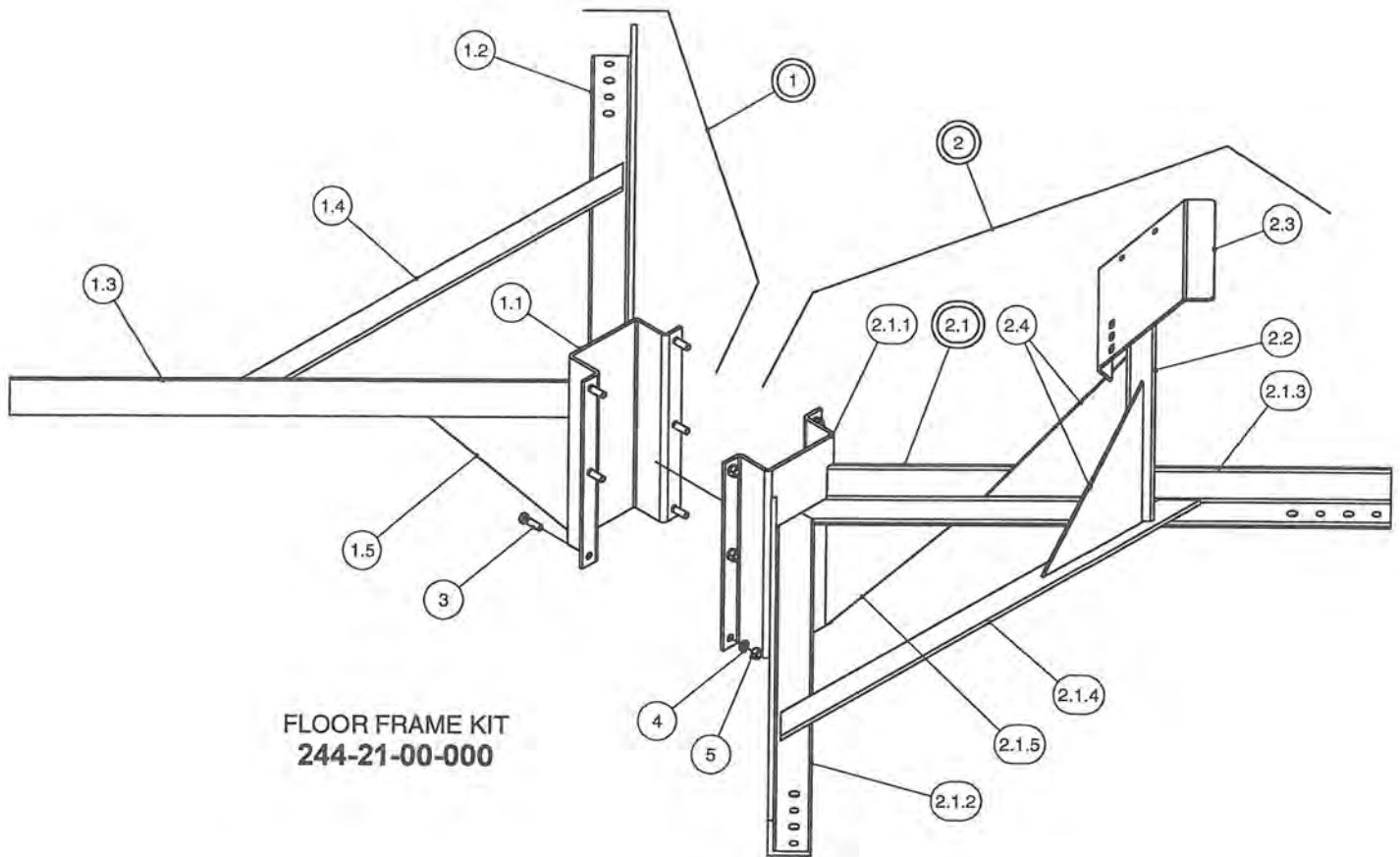
VERTICAL DEFLECTOR CYLINDER



**1 1/2" HYDRAULIC CYLINDER
275-15-00-000**

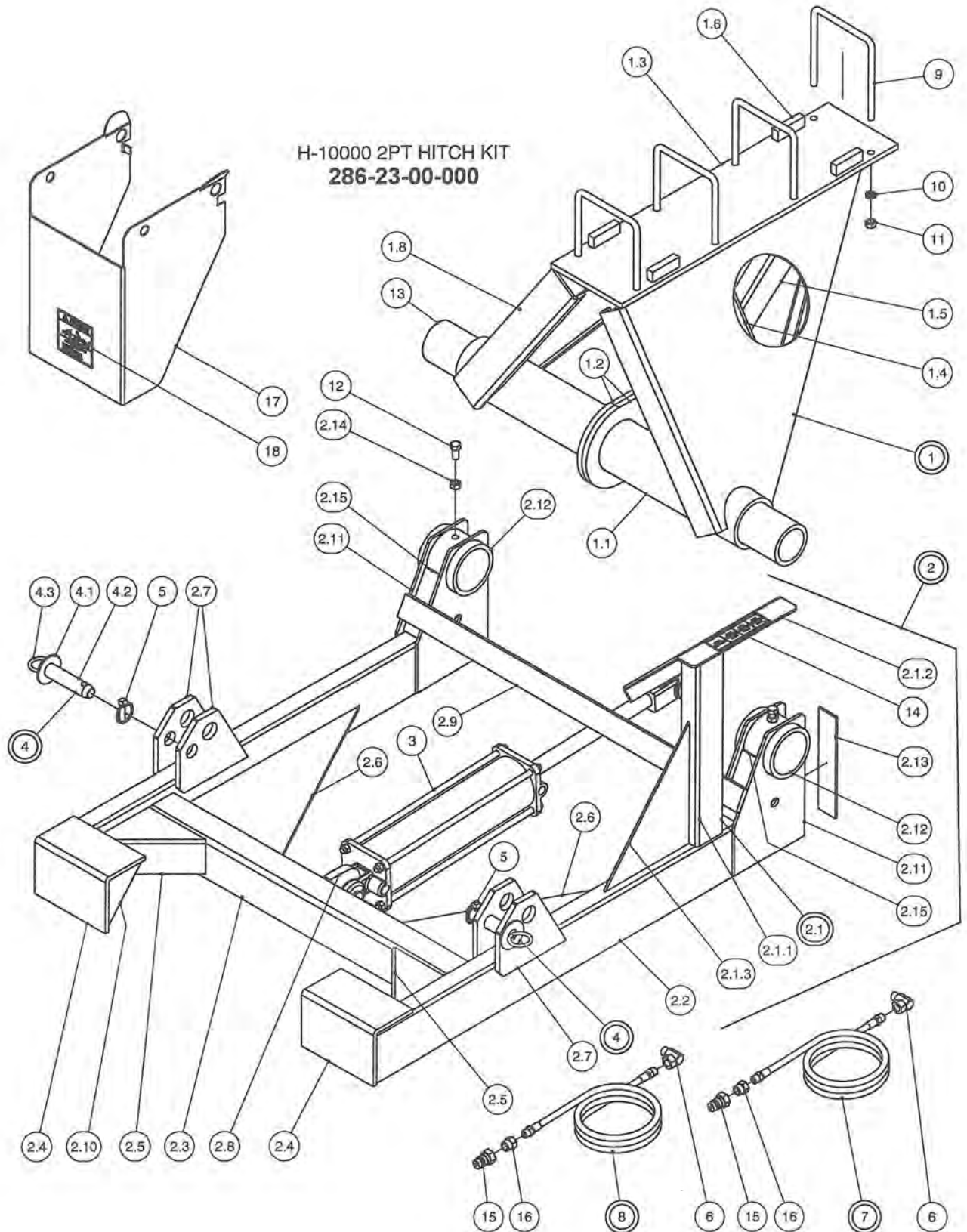
PARTS LIST			
ITEM	PART NUMBER	DESCRIPTION	QTY
1	275-14-00-000	CYLINDER TUBE w/ LUG ASSY	1
1.1	250-70-28-155	CYLINDER TUBE	1
1.2	275-14-00-076	CYLINDER END CAP	1
2	275-15-00-122	HYDRAULIC CYLINDER SHAFT	1
3	340-36-00-435	CYLINDER PLUNGER	1
4	340-36-00-434	WIPER BLOCK	1
5	R20866	O-RING #11-218	3
6	R20867	BACKUP RING #8-218	2
7	R20865	O-RING #11-014	1
8	R07885	1/2 - 2 WAY LOCK NUT	1
9	R20771	O-RING #11-210	1
10	R20774	3/4" HYTREL ROD WIPER 52-750	1
11	R07967	1 1/2" 23000 x 150 INTERNAL SNAP RING	1
12	R21287	1/4M x 3/8 SWIVEL ADAPTER	1
13	R20862	3/4" BACKUP #210	1

FLOOR FRAME KIT



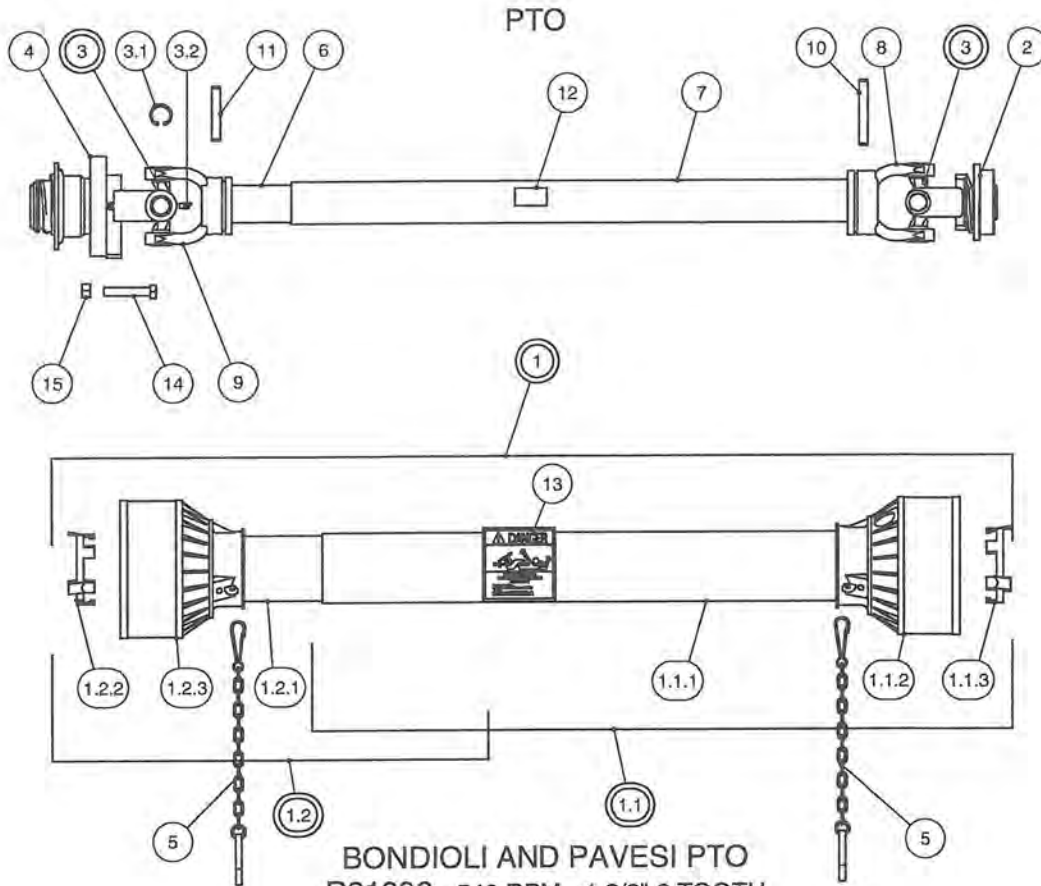
PARTS LIST			
ITEM	PART NUMBER	DESCRIPTION	QTY
1	244-21-01-000	FLOOR FRAME ASSY	1
1.1	244-21-01-419	SHAFT TUBE CLAMP BRKT	1
1.2	244-21-01-417	RH FLOOR FRAME ANGLE	1
1.3	244-21-01-418	LH FLOOR FRAME ANGLE	1
1.4	250-91-55-262	FLOOR BRACKET BRACE	1
1.5	244-21-01-420	GUSSET	2
2	244-21-02-000	FLOOR FRAME W/CONTROL STAND ASSY	1
2.1	244-21-01-000	FLOOR FRAME ASSY	1
2.1.1	244-21-01-419	SHAFT TUBE CLAMP BRKT	1
2.1.2	244-21-01-417	RH FLOOR FRAME ANGLE	1
2.1.3	244-21-01-418	LH FLOOR FRAME ANGLE	1
2.1.4	250-91-55-262	FLOOR BRACKET BRACE	1
2.1.5	244-21-01-420	GUSSET	2
2.2	242-18-15-103	CONTROL VALVE STAND TUBE	1
2.3	242-18-15-104	CONTROL VALVE PLATE	1
2.4	242-18-15-106	STANDTUBE GUSSET	2
3	R07629	7/16 x 1 1/2 HEX BOLT	6
4	R07804	7/16 LOCK WASHER	6
5	R07784	7/16 HEX NUT	6

H-10000 2PT HITCH KIT



H-10000 2PT HITCH KIT

PARTS LIST			
ITEM	PART NUMBER	DESCRIPTION	QTY
1	286-23-01-000	OUTER PIVOT BRKT ASSY	1
1.1	286-23-01-075	SUPPORT ARM SLEEVE	1
1.2	286-23-01-074	CYLINDER AXLE BRKT	2
1.3	242-60-35-252	TOP SUPPORT PLATE	1
1.4	286-23-01-078	GUSSET	1
1.5	286-23-01-079	REINFORCING BARS	2
1.6	242-30-35-302	STABILIZER BAR	4
1.7	286-23-01-076	LH SUPPORT ARM	1
1.8	286-23-01-077	RH SUPPORT ARM	1
2	286-23-02-000	2PT HITCH MAIN FRAME ASSY	1
2.1	242-18-15-000	CONTROL VALVE STAND ASSY	1
2.1.1	242-18-15-103	CONTROL VALVE STAND TUBE	1
2.1.2	242-18-15-104	CONTROL VALVE PLATE	1
2.1.3	242-18-15-106	STANDTUBE GUSSET	1
2.2	250-87-44-215	LIFT ARM	2
2.3	250-87-44-216	CROSS BRACE	1
2.4	250-87-44-217	END CAP	2
2.5	250-87-44-218	ANGLE GUSSET	2
2.6	250-87-44-219	CROSS BRACE GUSSET	2
2.7	250-87-44-220	LIFT BRACKETS	4
2.8	250-87-44-221	CYLINDER LUG	1
2.9	250-87-44-226	CROSS STRAP	1
2.10	250-87-44-335	GUSSET	2
2.11	286-23-02-080	TILT FRAME BRKT	4
2.12	286-23-02-081	TILT FRAME BRKT SLEEVE	2
2.13	250-87-44-225	REAR FILLER PLATE	2
2.14	R07785	1/2 HEX NUT	2
2.15	250-87-44-224	FRONT FILLER PLATE	2
3	R20724	4 x 14 HYDRAULIC CYLINDER	1
4	250-87-56-000	DRAW PIN ASSY	2
4.1	R07828	1" FLAT WASHER	1
4.2	250-87-56-264	DRAW PIN	1
4.3	250-00-00-354	1/4 X 1 1/2" RING	1
5	R08040	2 - 18 LYNCH PIN	2
6	R21366	3/8" x 90 DEG. NPT STREET ELBOW	2
7	250-87-51-000	HYDRAULIC HOSE ASSY	1
8	250-87-52-000	HYDRAULIC HOSE ASSY	1
9	R08173	"U" BOLT 1/2-13 UNC 6" ID X 7 1/4" LONG	4
10	R07805	1/2 LOCK WASHER	8
11	R07785	1/2 HEX NUT	8
12	R07637	1/2 x 1 HEX BOLT	2
13	286-23-00-082	INNER AXLE TUBE	1
14	R09673	HYDRAULIC CONTROL DECAL	1
15	R21342	1/2" MALE PIONEER TIP	2
16	R02043	BUSHING 1/2 x 3/8	2
17	286-23-00-083	PTO GUARD - 2PT HITCH	1
18	R21521	"ROTATING DRIVE LINE" DECAL	1



BONDIOLI AND PAVESI PTO
R21606 - 540 RPM - 1 3/8" 6 TOOTH
R21607 - 1000 RPM - 1 3/8" 21 TOOTH
R21649 - 1000 RPM - 1 3/4" 20 TOOTH

PARTS LIST				
ITEM	MFG NUMBER	PART NUMBER	DESCRIPTION	QTY
1	5F08101FFFX	R21629	SAFETY GUARD COMPLETE	1
1.1	5FE8101FFFX	R21627	HALF SAFETY GUARD - OUTER	1
1.1.1	236850732	R21618	CM SAFETY TUBE	1
1.1.2	517080130	R21610	OUTER CONE SETS N8-9	1
1.1.3	255080005R02	R21609	I. BEARING 3-4	1
1.2	5F18101FFFX	R21628	HALF SAFETY GUARD - INNER	1
1.2.1	236840732	R21617	CM SAFETY TUBE	1
1.2.2	255080006R02	R21608	SHIELD SUPPORT8-9-0	1
1.2.3	517080120	R21611	INNER CONE SETS N8-9	1
2	5720M0376	R22330	1 3/8 - 6 TOOTH QD YOKE w/ SLEEVES 540 RPM	1
2	572S93752	R22332	1 3/8 - 21 TOOTH QD YOKE w/SLEEVES 1000 RPM	1
2		R22333	1 3/4 - 20 TOOTH QD YOKE w/SLEEVES 1000 RPM	1
3	41208	R21614	CROSS JOURNAL ASSY	2
3.1	338023000	R21621	CIRCLIP	8
3.2	348004000	R21655	GREASE NIPPLE 45 DEG	2
4	6060M3901R	R22331	1 3/4" - 27 TOOTH TORQUE LIMITER w/ SLIDE COLLAR	1
5	252000005	R21738	SHIELD TIE CHAIN	2
6	225690803	R21615	CARDAN TUBE - INNER	1
7	225730803	R21616	CARDAN TUBE - OUTER	1
8	204086860	R21620	OUTER TUBE YOKE	1
9	204086861	R21619	INNER TUBE YOKE	1
10	341054000	R21613	FLEXIBLE PIN	1
11	341055000R10	R21612	FLEXIBLE PIN	1
12	383334	R21523	"SHIELD MISSING" DECAL	1
13	383333	R21521	"ROTATING DRIVE LINE" DECAL	1
14		R21602	M12 - 1.75 x 65 HEX BOLT	1
15		R21604	M12 - 1.75 LOCK NUT	1

Superior Gearbox

EP 80 - 90 gear oil
(E P standing for extreme pressure additive)

Fill half full.

Change after 100 hours.

Then change after 1000 hours
or 12 months (if seasonal use).

