

Office copy

Dec 3, 2002 - 18 made
Aug 26/03 - 9 "

Date Purchased _____ Machine Serial No. _____

Size of Pump _____ Options _____

H10000

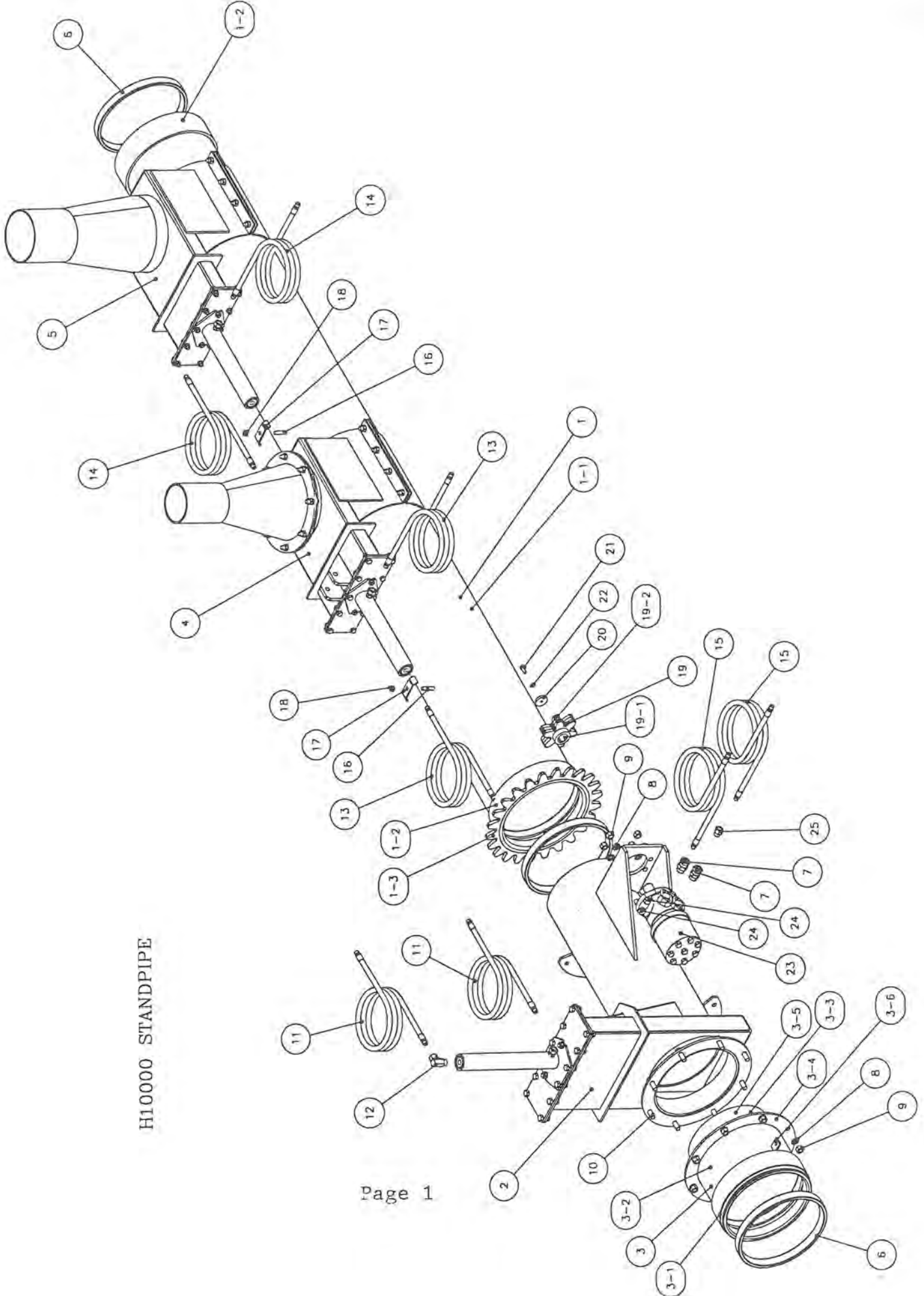
HUSKY LIQUID MANURE PUMP

Please order parts by number.

OPERATING INSTRUCTIONS:

1. Do not leave pump in manure pit - remove pump from pit - wash off and cover with old oil or diesel fuel.
2. Do not over rev. tractor while pumping as discharge spout will lift into the air. If pumping fast tie down spout.
3. The (Urethane) marine bearing at the bottom of the pump is lubricated with manure or water. If the level of the liquid is below the bearing and you are running for long periods put a water hose in the top of standpipe.
4. Always fill all hydraulic motors and cylinders with oil before installing in pit.
5. EXTREME DANGER - Never enter a dirty manure spreader or storage tank - one breath of hydrogen sulphide gas is enough to kill. Have a ladder in your pit, so that if by accident you should fall in, you can get out again. Keep all lids closed and open pits fenced to keep children and animals out.
6. For open centre hydraulic tractors, use short plug on right hand end of hydraulic valve. For closed centre hydraulics use long plug with O Ring. (Oil must flow in left hand end of valve).

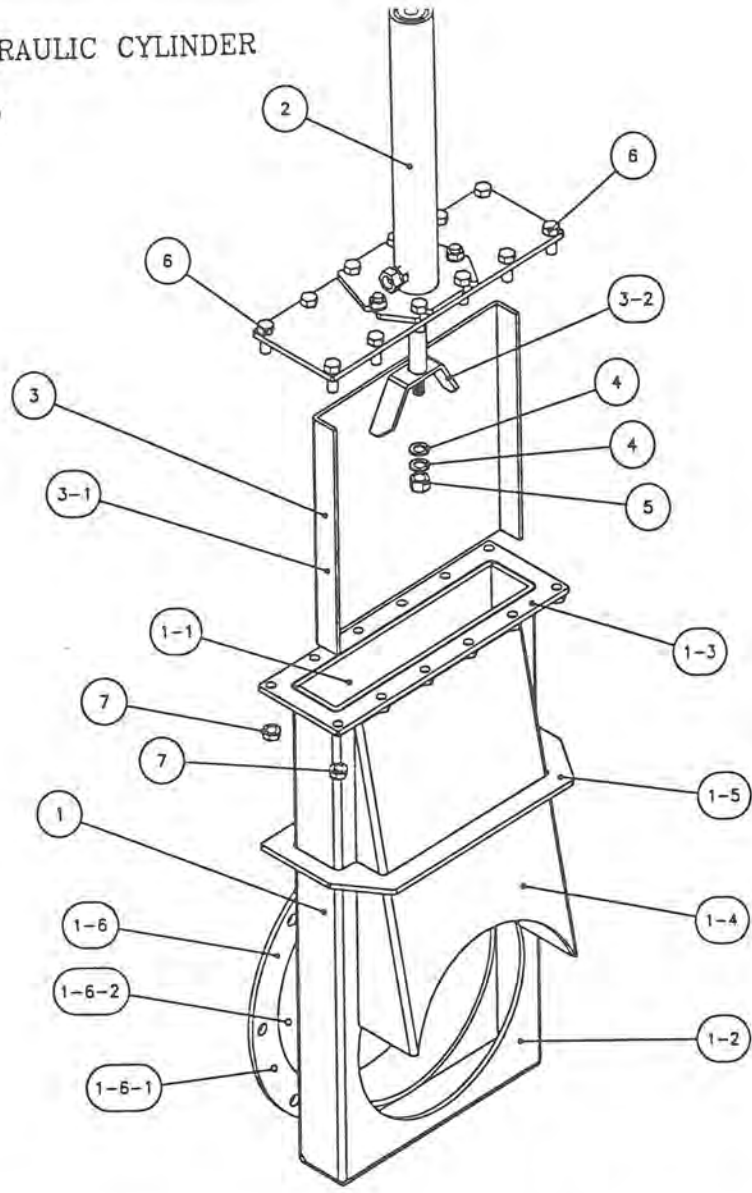
H10000 STANDPIPE



H10000 STANDPIPE

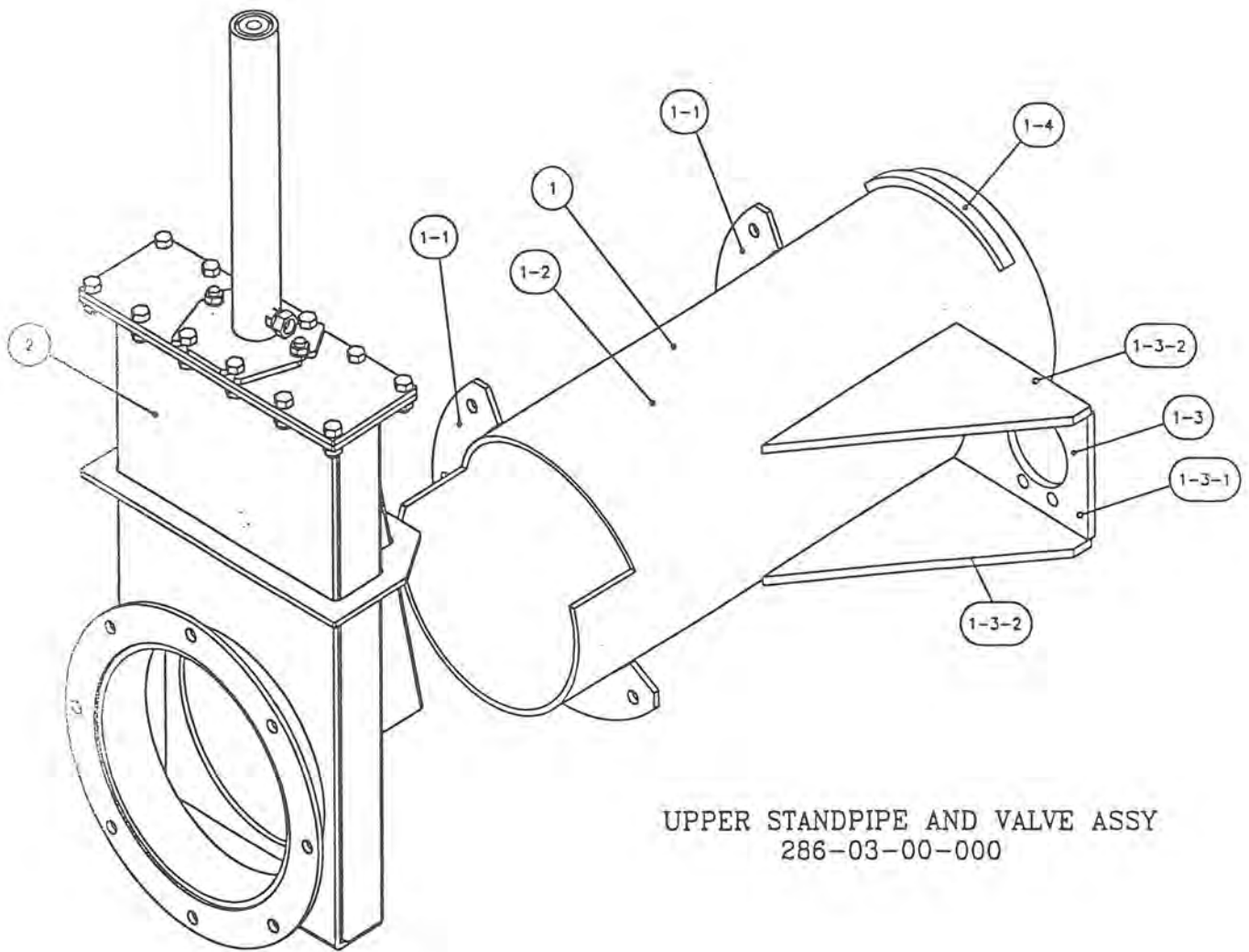
ITEM	NAME	DESCRIPTION	QTY
1	286-02-00-000	STANDPIPE ASSY-8FT MODEL	1
1-1	286-02-00-009	STANDPIPE-8 FT MODEL	1
1-2	286-02-00-010	GASKET SLEEVE	2
1-3	286-02-00-011	LARGE DRIVE SPROCKET	1
2	286-03-00-000	UPPER STANDPIPE AND VALVE ASSY	1
3	286-04-00-000	VALVE SEAL AND OUTLET ASSY	1
3-1	286-04-00-029	UPPER COUPLING BASE	1
3-2	286-04-00-030	OUTER EXTENSION PIPE	1
3-3	286-04-00-031	INNER EXTENSION TUBE	1
3-4	286-03-07-025	FLANGE	1
3-5	URETHENE	URETHENE-PURCHASED	1
3-6	250-96-00-298	CHAIN LUG	1
4	286-07-00-000	UPPER VALVE AND CONE COMPLETE	1
5	286-08-00-000	LOWER VALVE AND CONE COMPLETE	1
6	R02849	10" RUBBER GASKET	3
7	R21279	7/8-14 SAE X 1/2" NPT ADAPTOR	2
8	R07805	1/2" LOCK WASHER	12
9	R07785	1/2" HEX NUT	12
10	R07674	1/2 X 1 1/4" HEX BOLT	8
11	244-75-00-000	HYDRAULIC HOSE ASSY-12 FT PUMP	2
11	244-68-00-000	HYDRAULIC HOSE ASSY-10 FT PUMP	2
11	244-73-00-000	HYDRAULIC HOSE ASSY-8 FT PUMP	2
12	R21366	1/2 X 90 STR ELBOW	1
13	244-76-00-000	HYDRAULIC HOSE ASSY	2
14	244-77-00-000	HYDRAULIC HOSE ASSY	2
15	244-70-00-000	HYDRAULIC HOSE ASSY	2
16	R08302	3/8-16 UNC X 1 5/8" WELD STUD	2
17	290-00-00-167	HYDRAULIC HOSE CLIP	2
18	R07794	3/8" FLANGE NUT	2
19	286-24-00-000	6 TOOTH SPROCKET ASSY-BIG MOTOR	1
19-1	286-24-00-086	6 T SPROCKET HUB	1
19-2	286-24-00-085	6 TOOTH SPROCKET-2" BORE	3
20	290-00-00-098	SLEEVE CAP	1
21	R07611	5/16 X 1" HEX BOLT	1
22	R07802	5/16" LOCK WASHER	1
23	R22164	DANFOSS HYDRAULIC MOTOR 151H1046	1
24	R07638	1/2 X 1 1/2" HEX BOLT	4
25	R21336	RESTRICTOR	1

DISCHARGE HYDRAULIC CYLINDER
AND VALVE KIT
286-03-03-000



DISCHARGE HYDRAULIC CYLINDER & VALVE KIT 286-03-03-000

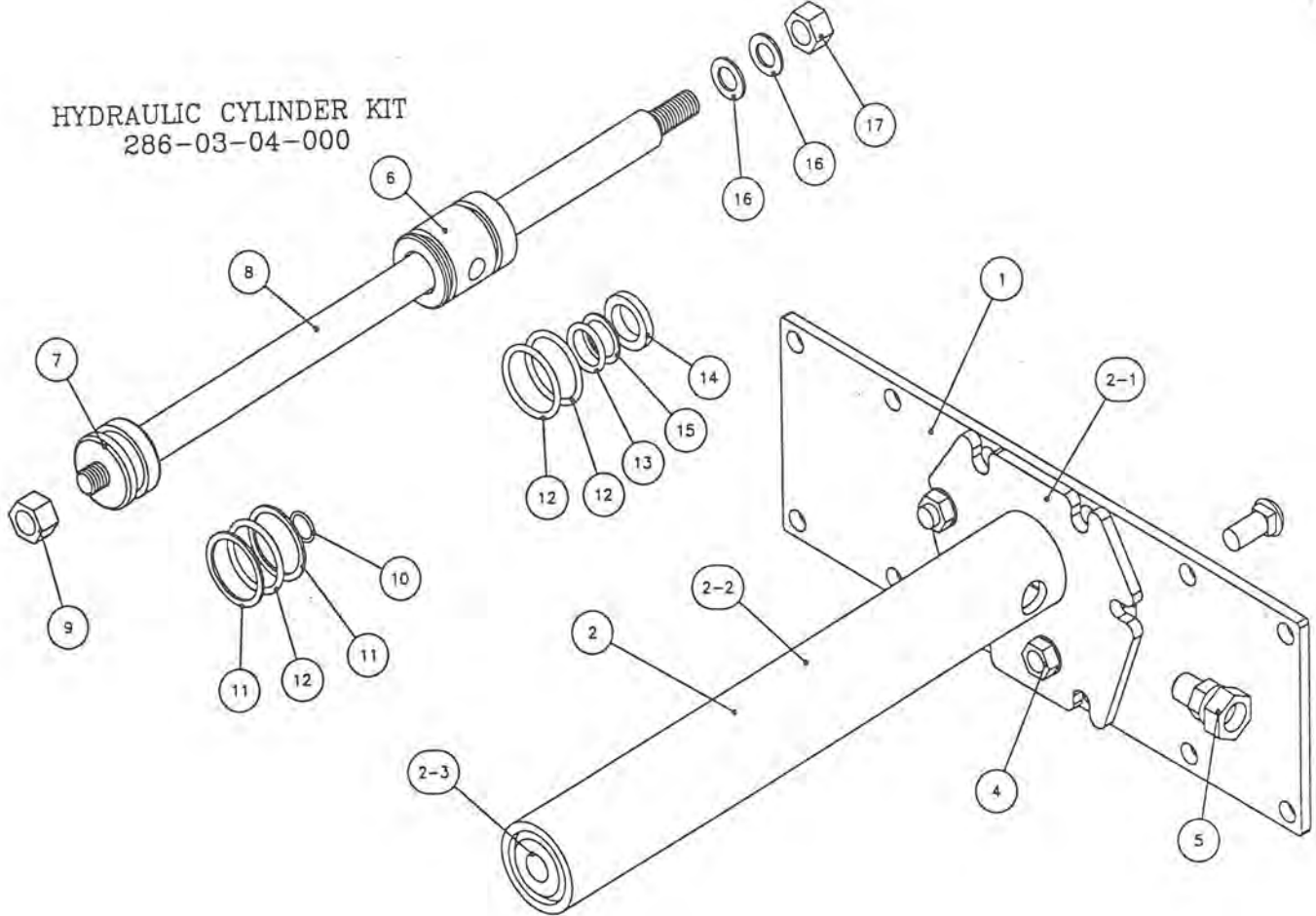
Item	Name	Description	Qty
1	286-03-06-000	VALVE BODY ASSY	1
1-1	286-03-06-020	VALVE BODY - TOP	1
1-2	286-03-06-021	VALVE BODY-LOWER	1
1-3	286-03-06-022	VALVE FLANGE	1
1-4	286-03-06-023	TAPERED INLET	1
1-5	286-03-06-024	REINFORCING FLANGE	1
1-6	286-03-07-000	FLANGE ASSY	1
1-6-1	286-03-07-025	FLANGE	1
1-6-2	286-03-07-026	OUTLET TUBE	1
2	286-03-04-000	HYDRAULIC CYLINDER ASSY	1
3	286-03-08-000	VALVE GATE ASSY	1
3-1	286-03-08-027	VALVE GATE	1
3-2	286-03-08-028	VALVE GATE BRKT	1
4	R08222	1/2" S.S. FLAT SAE WASHER	2
5	R08229	1/2" S.S. NYLON INSERT HEX NUT	1
6	R07628	7/16 X 1 HEX BOLT	12
7	R07879	7/16-14 UNC FL NUT	12



UPPER STANDPIPE AND VALVE ASSY
286-03-00-000

UPPER STANDPIPE AND VALVE ASSY 286-03-00-000			
Item	Name	Description	Qty
1	286-03-09-000	FIXED UPPER STANDPIPE ASSY HD MOTOR	1
1-1	286-03-01-013	STANDPIPE HOLD DOWN BRKT	2
1-2	286-03-01-012	FIXED UPPER STANDPIPE	1
1-3	286-21-00-000	MOTOR MOUNT ASSY	1
1-3-1	286-21-00-063	MOTOR MOUNT PLATE	1
1-3-2	286-21-00-064	MOUNT PLATE GUSSET	2
1-4	286-03-09-070	STOP RING	1
2	286-03-03-000	HYDRAULIC CYLINDER AND VALVE KIT	1

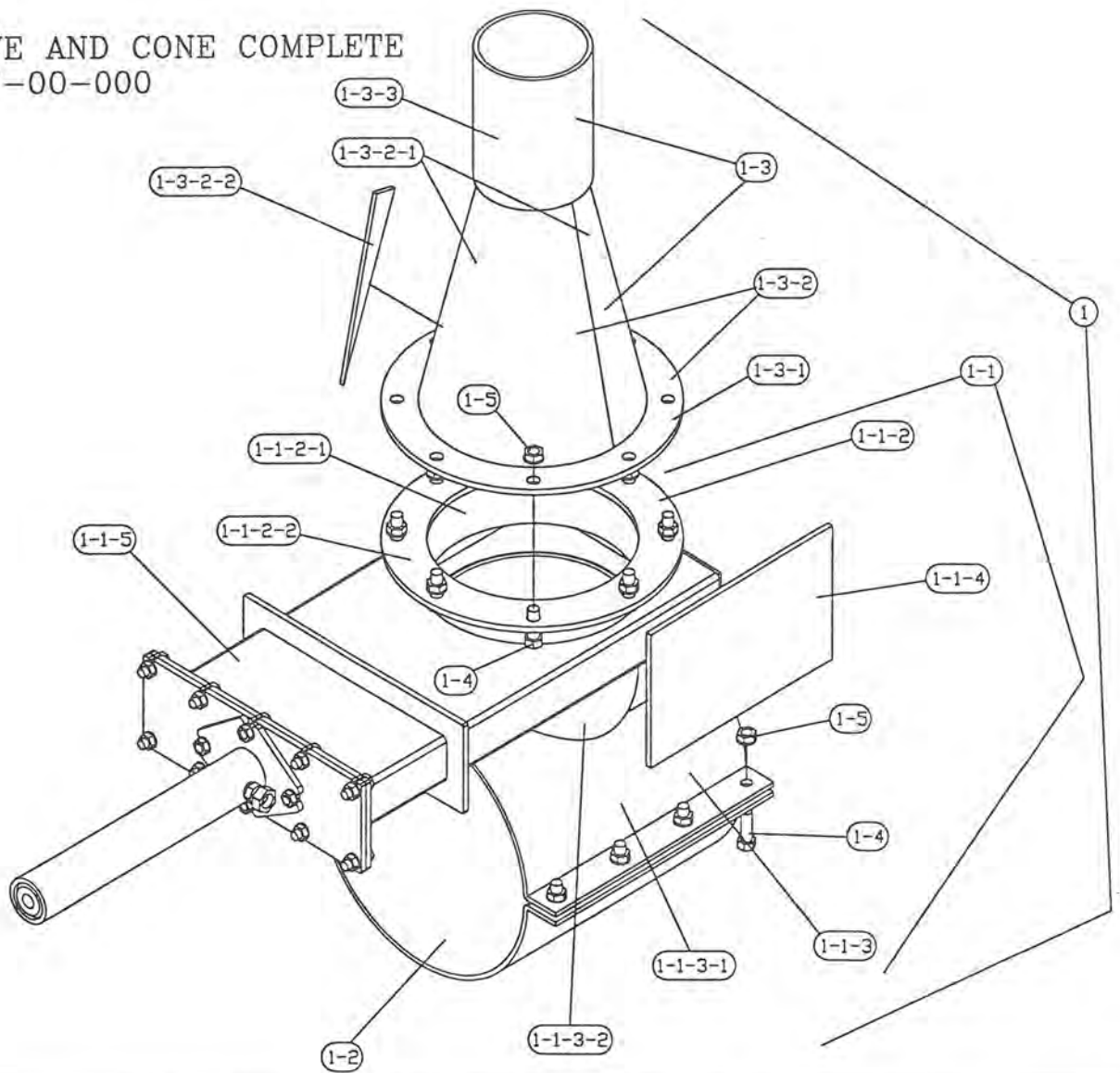
HYDRAULIC CYLINDER KIT
286-03-04-000



HYDRAULIC CYLINDER KIT 286-03-04-000

Item	Name	Description	Qty
1	286-03-04-019	FLANGE	1
2	286-03-05-000	HYDRAULIC CYLINDER TUBE ASSY	1
2-1	286-03-05-016	CYLINDER TUBE FLANGE	1
2-2	286-03-05-017	HYDRAULIC CYLINDER TUBE	1
2-3	340-36-18-431	END CAP	1
3	R07731	7/16 X 1" CARRIAGE BOLT	2
4	R07879	7/16-14 UNC FL NUT	2
5	R21287	1/4M X 3/8 SWIVEL ADAPTOR	1
6	340-36-00-434	WIPER BLOCK	1
7	340-36-00-435	CYLINDER PLUNGER	1
8	286-03-04-018	CYLINDER SHAFT	1
9	R07885	1/2" -2 WAY LOCK NUT	1
10	R20865	O-RING #11-014	1
11	R20867	BACKUP RING #8-218	2
12	R20866	O-RING #11-218	3
13	R20771	O-RING #11-210	1
14	R20774	ROD WIPER	1
15	R20862	BACKUP #210	1
16	R08222	1/2" S.S. FLAT SAE WASHER	2
17	R08229	1/2" S.S. NYLOC HEX NUT	1

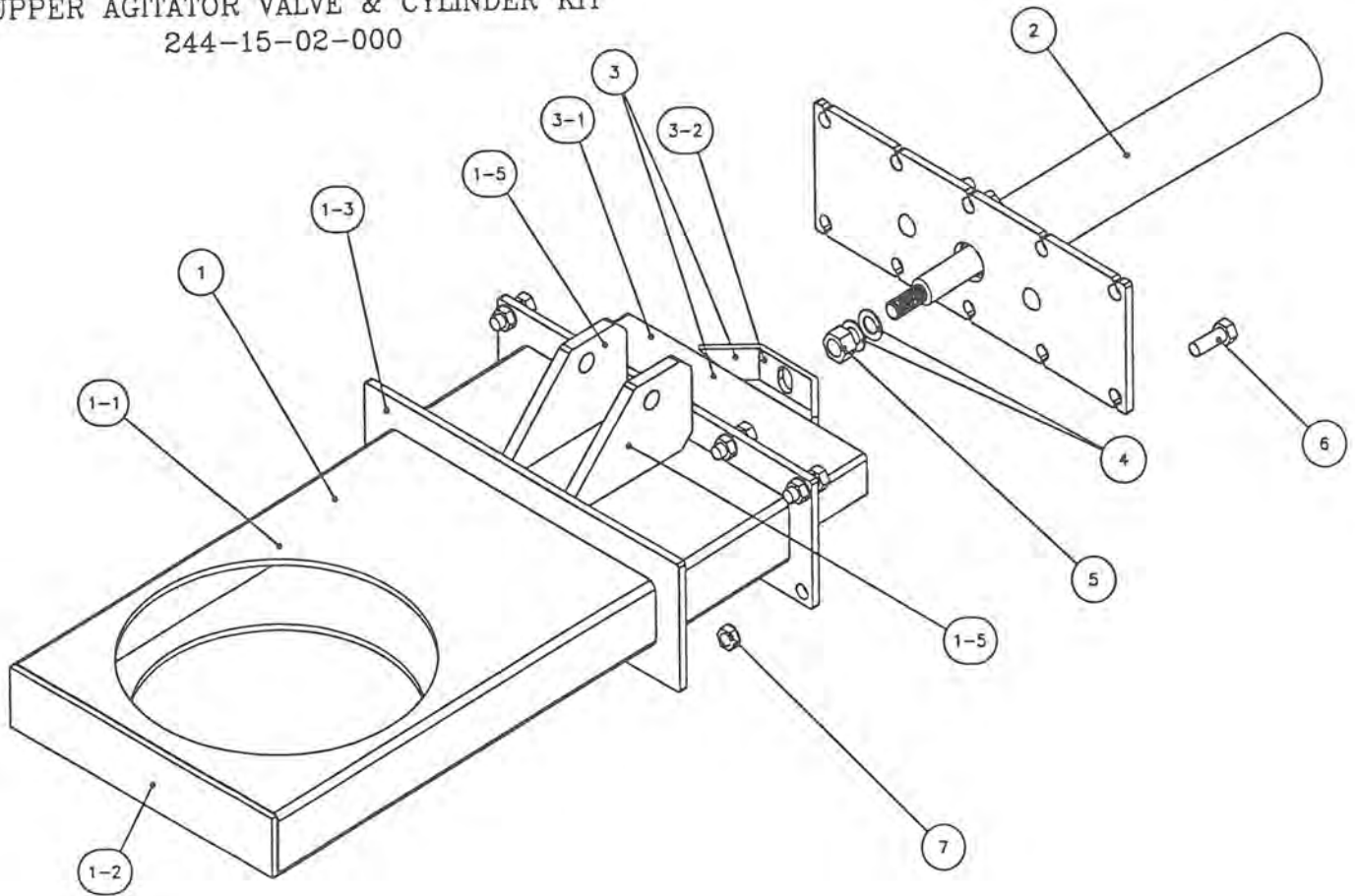
UPPER VALVE AND CONE COMPLETE
286-07-00-000



UPPER VALVE AND FLANGE

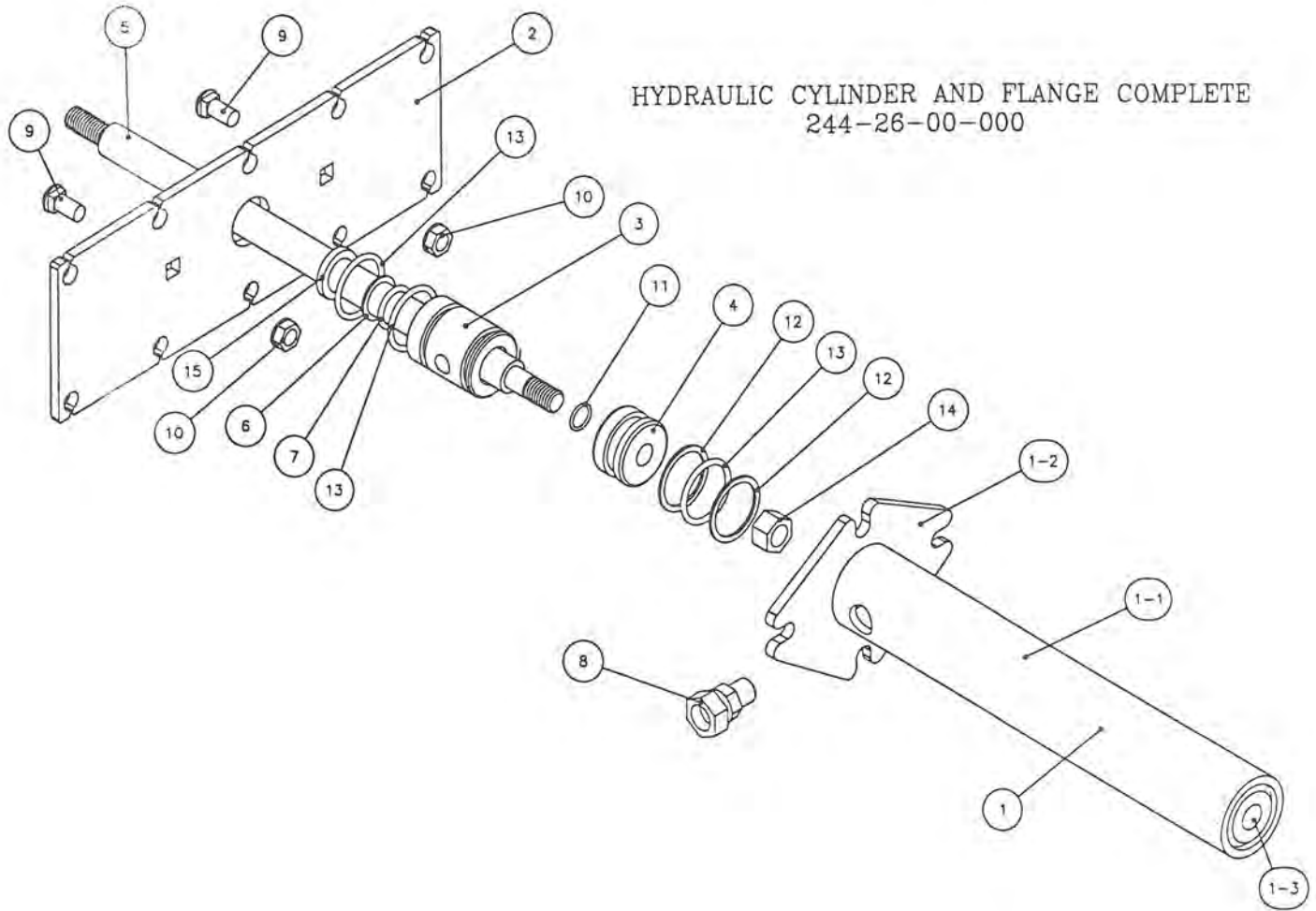
ITEM	NAME	DESCRIPTION	QTY
1	286-07-00-000	UPPER VALVE AND CONE COMPLETE	1
1-1	286-07-02-000	UPPER VALVE AND FLANGE ASSY	1
1-1-2	242-20-51-000	UPPER CONE FLANGE ASSY	1
1-1-3	286-07-01-000	VALVE CLAMP ON BRKT ASSY	1
1-1-4	286-07-02-084	REINFORCING SIDE PL	2
1-1-5	244-25-00-000	AGITATOR VALVE AND CYLINDER KIT	1
1-2	286-07-00-042	LOWER CLAMP ON BRKT	1
1-3	242-20-53-000	UPPER CONE AND FLANGE ASSY	1
1-4	R07671	7/16 X 1 1/4' HEX BOLT	16
1-5	R07879	7/16-14 UNC FL NUT	16
1-1-2-1	242-93-23-224	CONE MOUNT	1
1-1-2-2	242-58-48-285	FLANGE	1
1-1-3-1	286-07-01-040	VALVE CLAMP ON BRKT	1
1-1-3-2	286-07-01-041	VALVE TEE SIDE	1
1-3-1	242-58-48-285	FLANGE	1
1-3-2	242-20-29-000	UPPER CONE ASSY	1
1-3-3	242-20-53-397	UPPER CONE EXTENSION PIPE	1
1-3-2-1	242-20-29-244	CONE	2
1-3-2-2	242-07-00-046	CONE RIBS	4

UPPER AGITATOR VALVE & CYLINDER KIT
244-15-02-000



UPPER AGITATOR VALVE & CYLINDER KIT 244-15-02-000

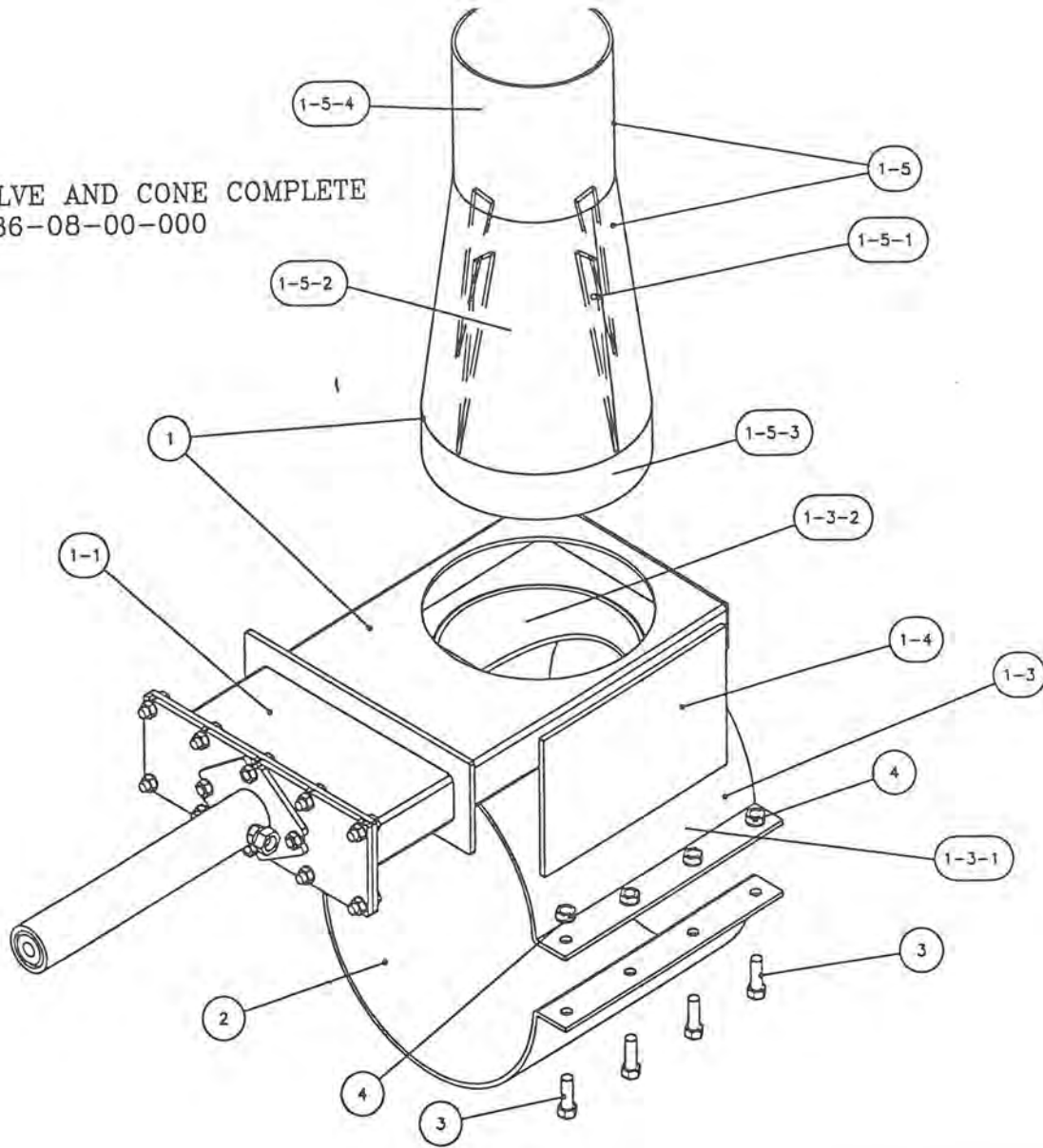
Item	Name	Description	Qty
1	244-15-03-000	UPPER AGITATOR VALVE BODY ASSY	1
1-1	244-14-01-323	VALVE BODY	1
1-2	242-97-00-230	VALVE END PLATE	1
1-3	244-14-01-324	VALVE BODY SUPPORT	1
1-4	242-97-00-231	VALVE BODY FLANGE	1
1-5	244-15-03-430	CYLINDER FLANGE	2
2	244-26-00-000	HYDRAULIC CYLINDER KIT	1
3	242-36-42-000	VALVE GATE ASSY	1
3-1	242-36-42-268	VALVE GATE	1
3-2	242-36-42-269	VALVE GATE BRKT	1
4	R08222	1/2" SAE S.S. FLAT WASHER	2
5	R08229	1/2" S.S. NYLOC HEX NUT	1
6	R07619	3/8 X 1" HEX BOLT	10
7	R07794	3/8" FLANGE HEX NUT	10



HYDRAULIC CYLINDER AND FLANGE COMPLETE
244-26-00-000

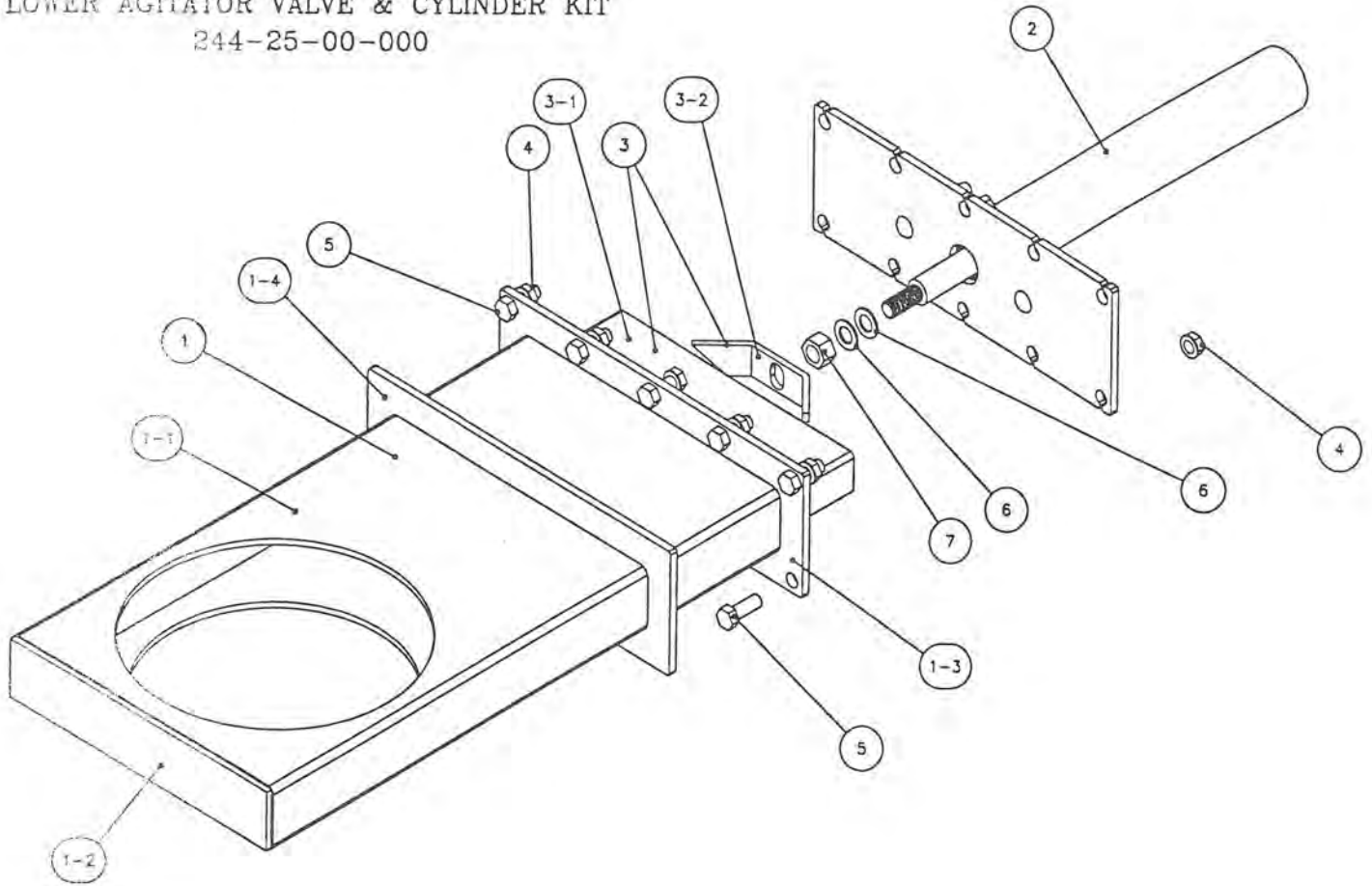
HYDRAULIC CYLINDER AND FLANGE COMPLETE 244-26-00-000			
Item	Name	Description	Qty
1	244-26-01-000	HYDRAULIC CYLINDER TUBE ASSY	1
2	244-26-00-345	FLANGE	1
3	340-36-00-434	WIPER BLOCK	1
4	340-36-00-435	CYLINDER PLUNGER	1
5	244-14-02-325	CYLINDER SHAFT	1
6	R20862	BACKUP #210	1
7	R20771	O-RING #11-210	1
8	R21287	1/4M X 3/8 SWIVEL ADAPTOR	1
9	R07720	3/8 X 3/4" CARR BOLT	2
10	R07794	3/8" FLANGE NUT	2
11	R20865	O-RING #11-014	1
12	R20867	BACKUP RING #8-218	2
13	R20866	O-RING #11-218	3
14	R07885	1/2" -2 WAY LOCK NUT	1
15	R20774	ROD WIPER	1
1-1	244-26-01-343	HYD CYLINDER TUBE	1
1-2	244-26-01-344	CYLINDER TUBE FLANGE	1
1-3	340-36-18-431	END CAP	1

LOWER VALVE AND CONE COMPLETE
286-08-00-000

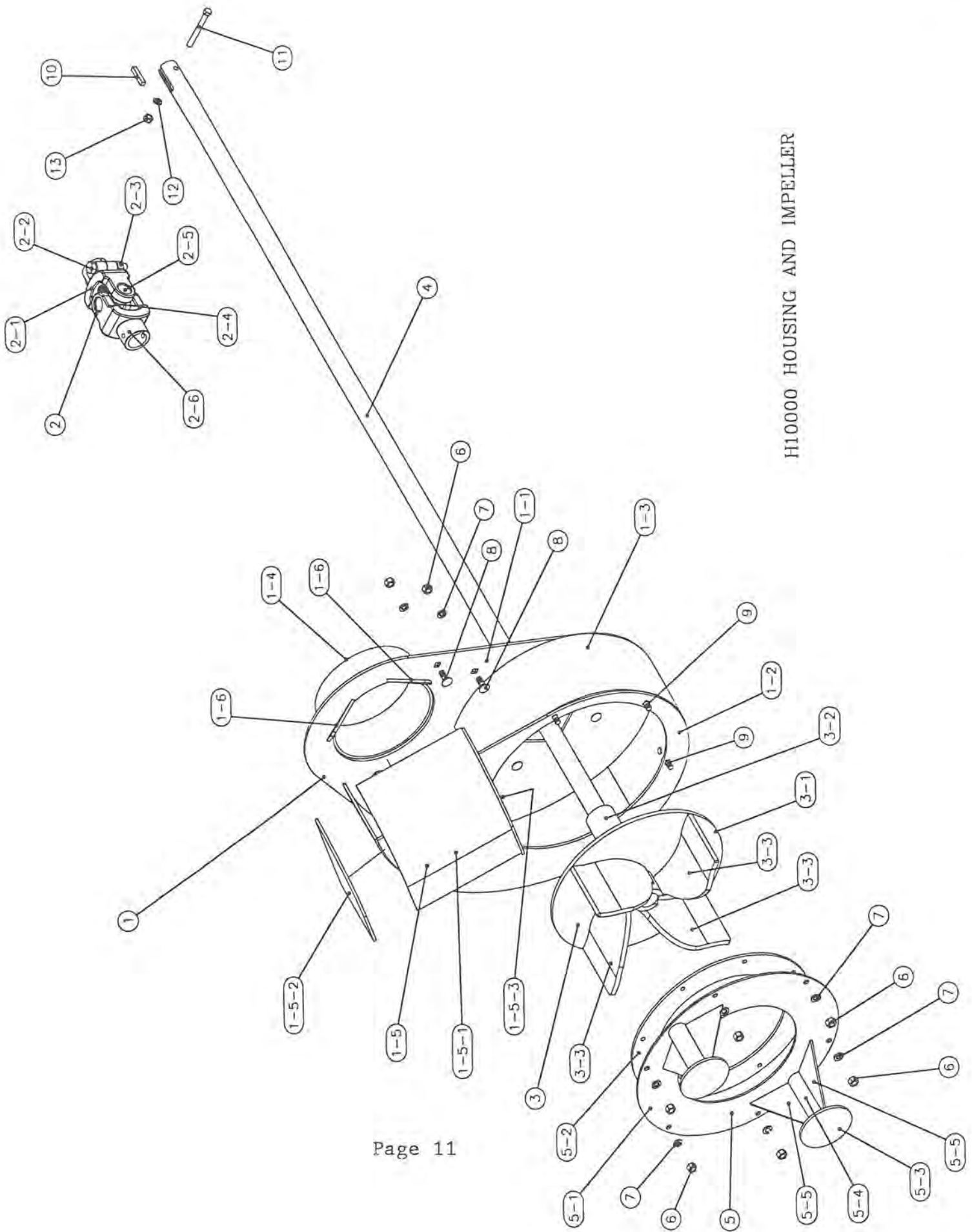


LOWER VALVE AND CONE COMPLETE 286-08-00-000			
Item	Name	Material	Qty
1	286-08-01-000	LOWER VALVE, CONE AND CLAMP ASSY	1
1-1	244-25-00-000	VALVE & CYLINDER COMPLETE-1998	1
1-3	286-07-01-000	VALVE CLAMP ON BRKT ASSY	1
1-3-1	286-07-01-040	VALVE CLAMP ON BRKT	1
1-3-2	286-07-01-041	VALVE TEE SIDE	1
1-4	286-07-02-084	REINFORCING SIDE PL	2
1-5	242-93-40-000	LOWER CONE AND MOUNT ASSY	1
1-5-1	242-07-00-046	CONE RIBS	4
1-5-2	242-93-23-226	DISCHARGE CONE	2
1-5-3	242-93-23-224	CONE MOUNT	1
1-5-4	242-93-40-398	LOWER CONE EXTENSION	1
2	286-07-00-042	LOWER CLAMP ON BRKT	1
3	R07671	7/16 X 1 1/4" HEX BOLT	8
4	R07879	7/16-14 UNC FL NUT	8

LOWER AGITATOR VALVE & CYLINDER KIT
244-25-00-000



LOWER AGITATOR VALVE & CYLINDER KIT 244-25-00-000			
Item	Name	Description	Qty
1	244-14-01-000	VALVE BODY ASSY	1
1-1	244-14-01-323	VALVE BODY	1
1-2	242-97-00-230	VALVE END PLATE	1
1-3	242-97-00-231	VALVE BODY FLANGE	1
1-4	244-14-01-324	VALVE BODY SUPPORT	1
2	244-26-00-000	HYDRAULIC CYLINDER KIT	1
3	242-36-42-000	VALVE GATE ASSY	1
3-1	242-36-42-268	VALVE GATE	1
3-2	242-36-42-269	VALVE GATE BRKT	1
4	R07794	3/8" FLANGE HEX NUT	10
5	R07619	3/8" X 1" HEX BOLT	10
6	R08222	1/2" SAE S.S. FLAT WASHER	2
7	R08229	1/2" S.S. NYLOC HEX NUT	1

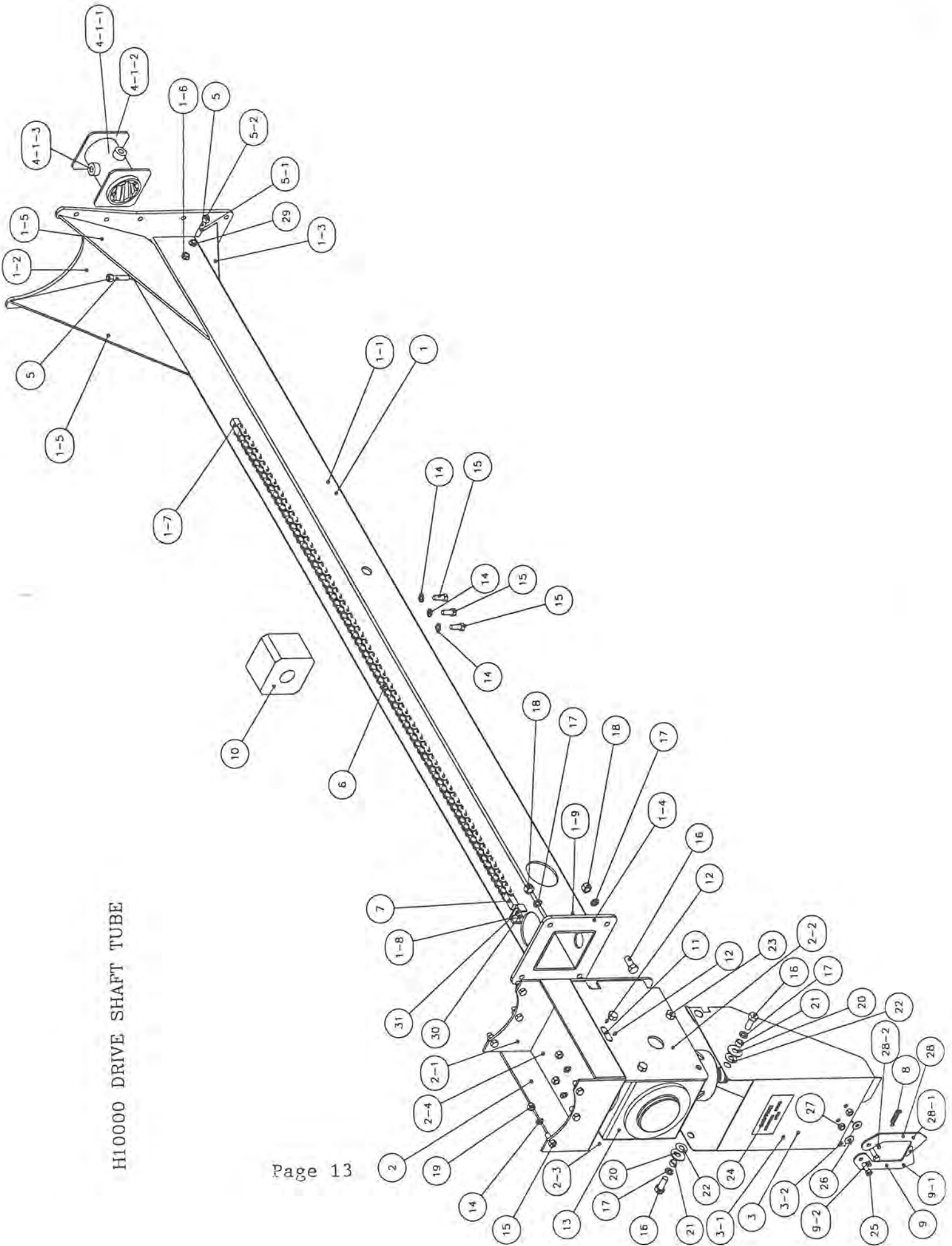


H10000 HOUSING AND IMPELLER

HOUSING AND IMPELLER

ITEM	NAME	DESCRIPTION	QTY
1	286-01-00-000	HOUSING ASSY	1
1-1	286-01-00-001	HOUSING UPPER PLATE	1
1-2	286-01-00-002	HOUSING LOWER PLATE	1
1-3	286-01-00-003	HOUSING BAND	1
1-4	286-01-00-004	OUTLET PIPE	1
1-5	286-01-01-000	BOOT ASSY	1
1-6	286-01-00-005	CORNER GUSSET	2
1-5-1	286-01-01-008	CURVE PLATE	1
1-5-2	286-01-01-006	SIDE PLATE UPPER	1
1-5-3	286-01-01-007	SIDE PLATE LOWER	1
2	242-54-00-000	KNUCKLE ASSY	1
2-1	R22028	QD YOKE 1 3/4" 27 TOOTH W/BOLT & NUT	1
2-2	R08281	M16 X 90 SOCKET HEAD CAP SCREW	1
2-3	R08266	M16-2 NYLON INSERT LOCK NUT	1
2-4	R22029	JOURNAL AND BEARING KIT	1
2-5	R20405	SNAP RING	4
2-6	R22030	1 3/4" ROUND HOLE YOKE	1
3	244-34-00-000	CHT IMPELLER ASSY	1
3-1	244-34-00-358	CHT IMPELLER BACK PLATE	1
3-2	244-18-00-331	IMPELLER SLEEVE	1
3-3	244-34-00-359	CHT IMPELLER BLADE	4
4	242-00-00-258	IMPELLER SHAFT-8 FT MODEL	1
	244-00-00-259	IMPELLER SHAFT-10 FT MODEL	0
	246-00-00-260	IMPELLER SHAFT-12 FT MODEL	0
5	286-11-00-000	COVER PLATE ASSY	1
5-1	244-01-00-256	COVER PLATE	1
5-2	244-01-00-255	COVER PLATE SUPPORT	1
5-3	250-04-03-012	FOOT END	2
5-4	250-04-03-013	FOOT	2
5-5	250-04-00-173	FOOT GUSSET	4
6	R07785	1/2" HEX NUT	18
7	R07805	1/2" LOCK WASHER	18
8	R07742	1/2 X 1 1/4" CARRAGE BOLT	12
9	R07741	1/2 X 1" CARRAGE BOLT	6
10	270-00-00-075	3/8 X 3/8 X 2" KEY	1
11	R07634	7/16 X 4" HEX BOLT	1
12	R07804	7/16" LOCK WASHER	1
13	R07784	7/16" NYLOC HEX NUT	1

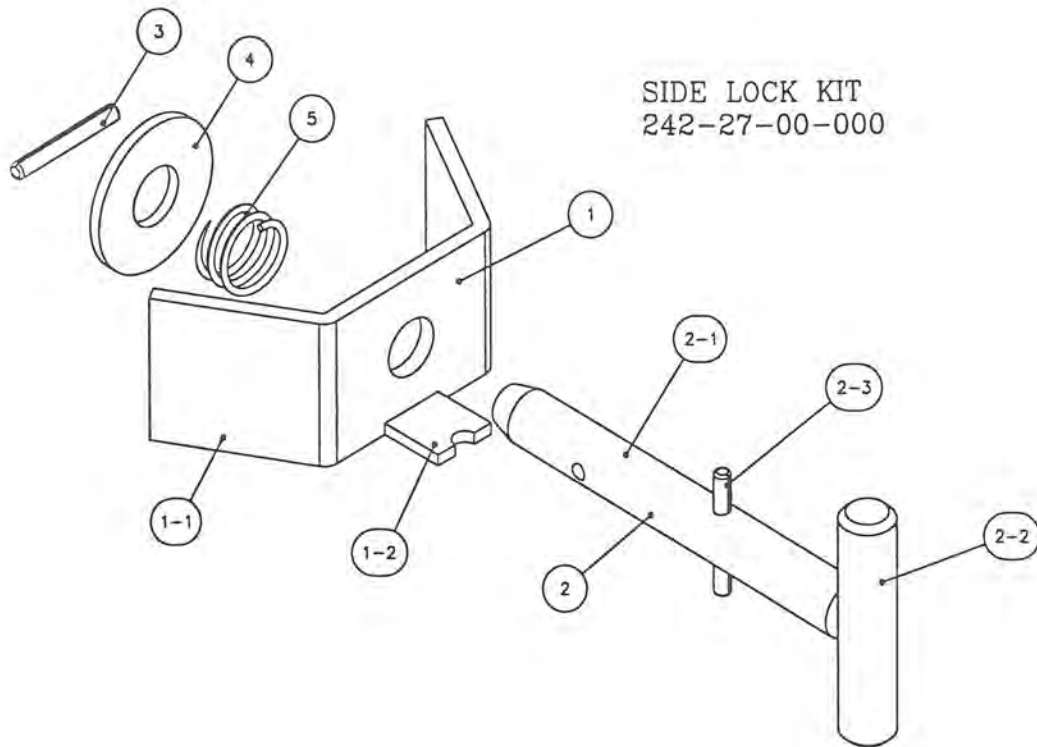
H10000 DRIVE SHAFT TUBE



DRIVE SHAFT TUBE

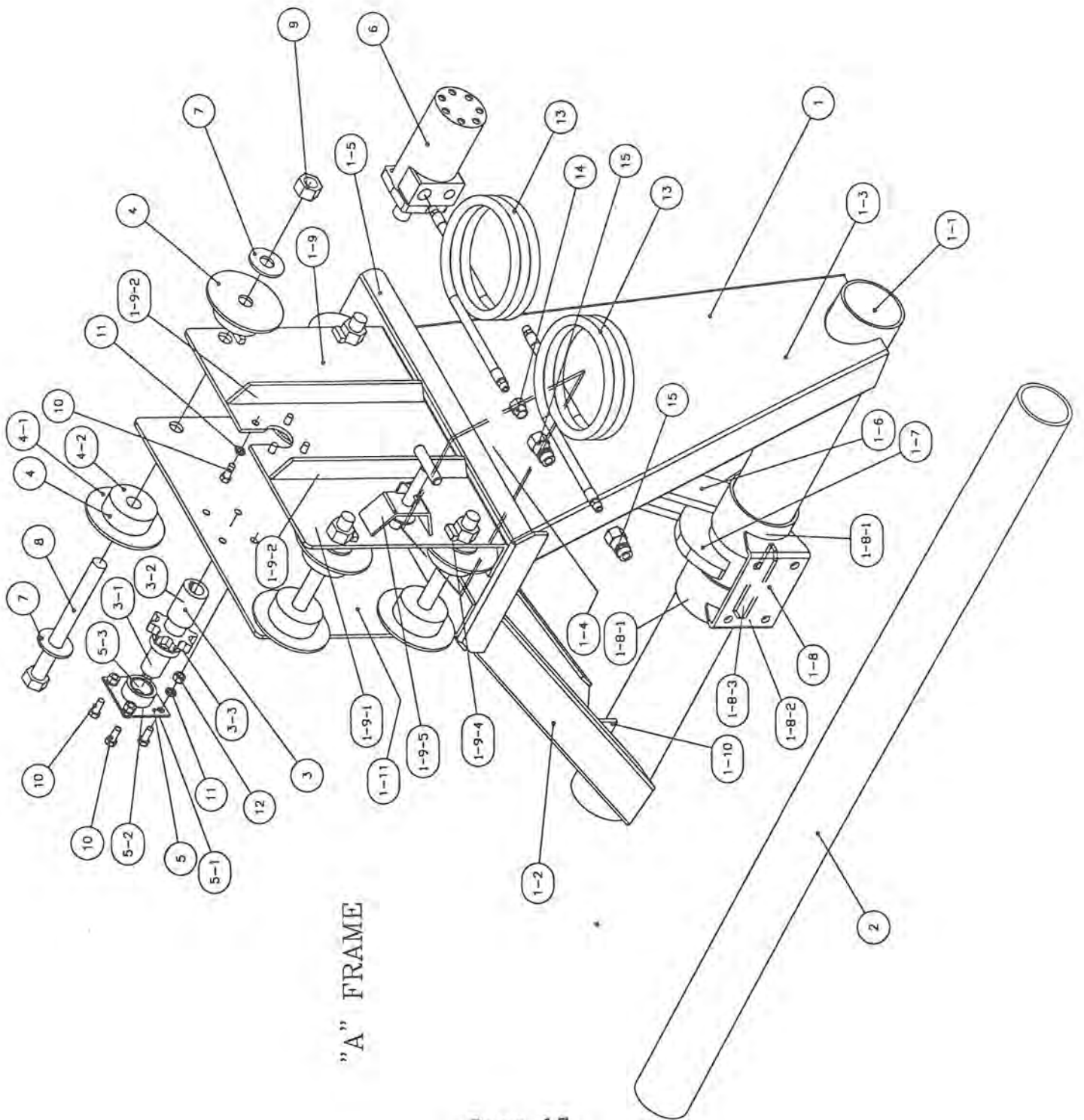
ITEM	NAME	DESCRIPTION	QTY
1	286-06-00-000	DRIVE SHAFT TUBE ASSY 8 FT MODEL	1
	287-15-00-000	DRIVE SHAFT TUBE ASSY 10 FT MODEL	0
	288-17-00-000	DRIVE SHAFT TUBE ASSY 12 FT MODEL	0
1-1	286-06-00-036	DRIVE SHAFT TUBE - 8 FT MODEL	1
	287-15-00-049	DRIVE SHAFT TUBE - 10 FT MODEL	0
	288-17-00-051	DRIVE SHAFT TUBE -12 FT MODEL	0
1-2	286-06-00-037	SHAFT TUBE FLANGE- LOWER	1
1-3	286-06-00-038	SHAFT TUBE GUSSET	2
1-4	286-06-00-039	DRIVE SHAFT TUBE FLANGE-UPPER	1
1-5	286-06-00-052	GUSSET STOP PLATE	2
1-6	R08304	1/2" S.S. HEX NUT	5
1-7	242-11-00-059	CHAIN HOLD DOWN BRKT	1
1-8	242-11-00-061	TIGHTENER BRKT	1
1-9	242-11-00-064	TUBE GUSSET	2
2	286-18-00-000	GEARBOX HOLDER ASSY FOR LARGE 1:1 GEARBOX	1
2-1	286-18-00-053	GEARBOX LOWER PLATE	1
2-2	286-18-00-054	LH GEARBOX PLATE	1
2-3	286-18-00-055	LH GEARBOX PLATE	1
2-4	286-18-00-056	GEARBOX TOP PLATE	1
3	286-19-00-000	PTO GUARD ASSY	1
3-1	286-19-00-057	PTO GUARD	1
3-2	286-19-00-058	REINFORCING ANGLE	1
4	296-09-00-000	MARINE BEARING AND HOLDER COMPLETE	1
4-1	R20224	URETHENE FOR 2 3/4" MARINE BEARING	1
4-2	296-09-01-000	2 3/4" BEARING HOLDER ASSY	1
5	250-59-00-000	STAINLESS SETSCREW ASSY	2
5-1	250-59-00-141	STAINLESS SET SCREW ROD	2
5-2	R08235	1/2" STAINLESS STEEL HEX NUT	2
6	242-00-00-065	LIFT CHAIN - 8 FT MODEL	1
	244-00-00-169	LIFT CHAIN - 10 FT MODEL	0
	246-00-00-177	LIFT CHAIN - 12 FT MODEL	0
7	242-00-00-066	CHAIN TIGHTENER	1
8	R08025	STABILIZER SPRING	1
9	242-96-00-000	LH STABILIZER BRKT	1
9-1	242-16-00-079	STABILIZER BRACKET	1
9-2	242-16-00-080	SPRING RETAINING ROD	1
10	R22148	1 3/4" SQ WOOD BEARING	1
11	R09071	SERIAL NUMBER PLATE	1
12	R08162	1/4 X #4 DRIVE SCREW	2
13	R22206	PRAIRIE GEARBOX 1:1.17	1
14	R07805	1/2" LOCK WASHER	9
15	R07674	1/2 X 1 1/4" HEX BOLT	9
16	R07646	5/8 X 1 1/2" HEX BOLT	6
17	R07806	5/8" LOCK WASHER	6
18	R07786	5/8" HEX NUT	4
19	R07785	1/2" HEX NUT	6
20	R07826	5/8" FLAT WASHER	2

ITEM	NAME	DESCRIPTION	QTY
21	242-00-00-338	FLIP GUARD SPACER	2
22	R09638	RUBBER WASHER	2
23	R07673	5/8 X 1 1/4" HEX BOLT	6
24	R21521	"CAUTION ROTATING DRIVE LINE" DECAL	1
25	R07671	7/16 X 1 1/4" HEX BOLT	2
26	R07824	7/16" FLAT WASHER	2
27	R07891	7/16" HEX LOCK NUT	2
28	242-16-00-000	RH STABILIZER BRACKET ASSY	1
28-1	242-16-00-079	STABILIZER BRACKET	1
28-2	242-16-00-080	SPRING RETAINING ROD	1
29	R08046	1/2" -13 UNC HEX JAM NUT	2
30	R07868	3/8 X 1 1/2" CAP SCREW	1
31	R07797	3/8" HEX NUT	1



SIDE LOCK KIT
242-27-00-000

SIDE LOCK KIT 242-27-00-000			
Item	Name	Description	Qty
1	242-17-17-000	SIDE LOCK BRKT ASSY	1
1-1	242-17-17-193	SIDE LOCK BRKT	1
1-2	242-17-17-194	PIN STOP	1
2	242-17-18-000	SIDE LOCK PIN ASSY	1
2-1	242-17-18-195	SIDE LOCK PIN	1
2-2	242-17-18-196	PIN HANDLE	1
2-3	R07943	3/16 X 1 1/2" ROLL PIN	1
3	R07943	3/16 X 1 1/2" ROLL PIN	1
4	R07826	5/8" FLAT WASHER	1
5	R08027	SPRING	1

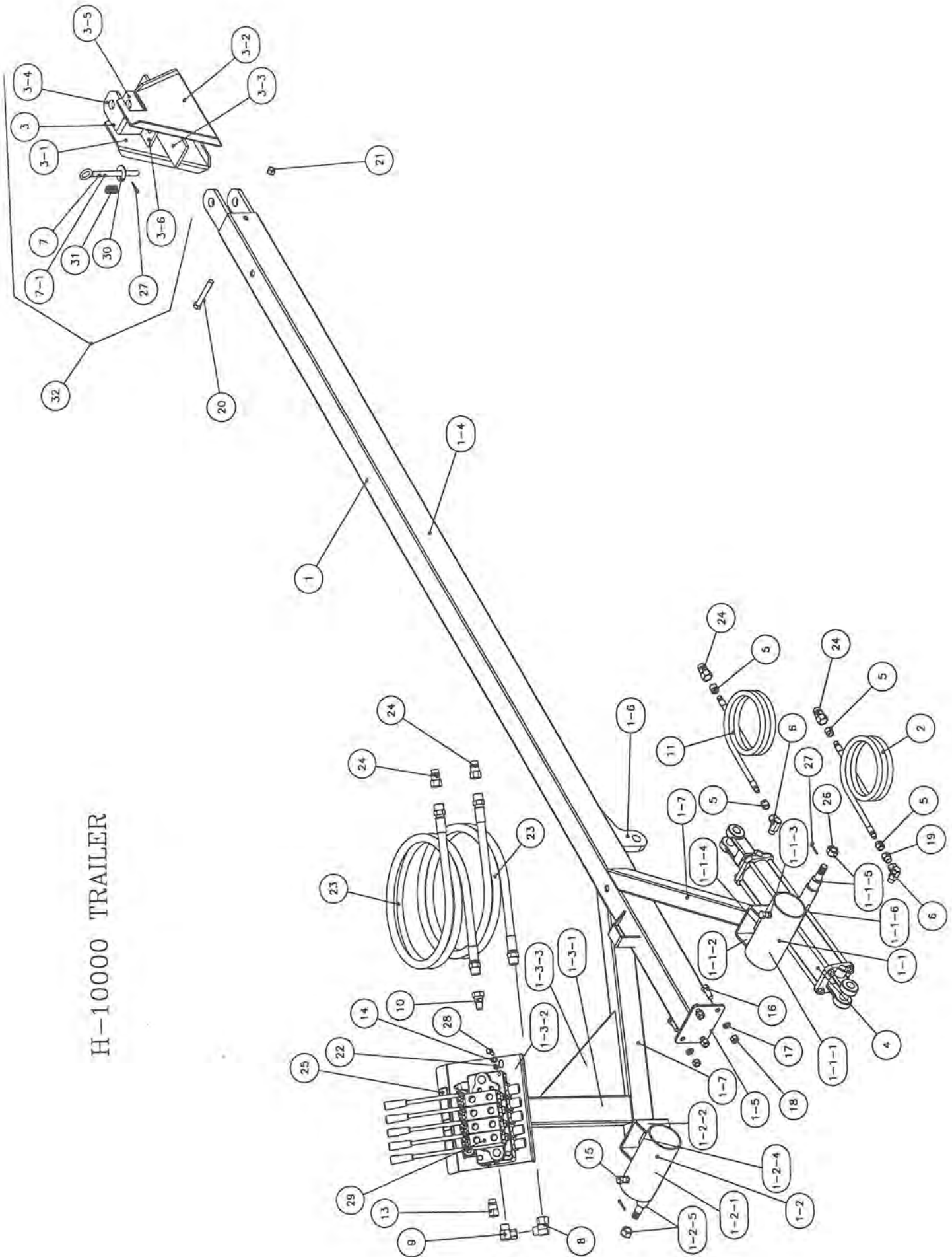


"A" FRAME

"A" FRAME

Item	Name	Description	Qty
1	242-17-00-000	*A* FRAME ASSY	1
1-1	242-17-00-090	WHEEL SHAFT SLEEVE	1
1-10	242-17-00-091	SUPPORT ARM GUSSET	2
1-11	242-17-00-083	LH SPOOL HOLDER	1
1-2	242-17-00-085	LH SUPPORT ARM	1
1-3	242-17-00-086	RH SUPPORT ARM	1
1-4	242-17-00-088	TILT FRAME GUSSET	1
1-5	242-17-00-084	TILT FRAME BASE	1
1-6	242-17-00-087	REINFORCING BARS	2
1-7	242-17-00-089	CYLINDER AXLE BRKT	1
1-8	242-19-00-000	TONGUE AXLE BRKT ASSY	1
1-8-1	242-19-00-109	OUTER SLEEVE	2
1-8-2	242-19-00-107	TONGUE AXLE BRKT	1
1-8-3	242-19-00-108	REINFORCING BAR	1
1-9	242-17-13-000	RH SPOOL HOLDER ASSY	1
1-9-5	242-27-00-000	SIDE LOCK KIT	1
1-9-1	242-17-13-081	RH SPOOL HOLDER	1
1-9-2	242-17-13-082	SPOOL HOLDER BRACE	2
1-9-4	242-17-13-261	STOP BLOCK	4
2	242-00-00-113	INNER AXLE	1
3	242-25-00-000	SPROCKET DRIVE ASSY	1
3-1	242-25-00-131	SPROCKET SHAFT	1
3-2	242-25-00-132	MOTOR TO SHAFT COUPLING	1
3-3	250-25-00-257	80 B8 SPROCKET-1 1/4" BORE	1
4	242-24-00-000	SPOOL ASSY	8
4-1	242-24-00-129	SPOOL END PLATE	8
4-2	242-24-00-128	SPOOL ROLLER	8
5	242-26-00-000	BUSHING HOLDER ASSY	1
5-1	242-26-00-133	BUSHING HOLDER PLATE	1
5-2	242-26-00-134	BUSHING HOLDER	1
5-3	R20259	1 1/4 X 1 1/2" X .75 LONG BRASS BUSHING	1
6	R22255	HYDRAULIC MOTOR	1
7	R07828	1" FLAT WASHER	8
8	R07697	7/8 X 9" HEX BOLT	4
9	R08047	7/8" LOCK NUT	4
10	R07670	3/8 X 7/8" HEX BOLT	8
11	R07803	3/8" LOCK WASHER	8
12	R07783	3/8" HEX NUT	4
13	244-80-00-000	HYDRAULIC HOSE ASSY	2
14	R22166	1/2" NPT RESTRICTOR	1
15	R21342	1/2" PIONEER ENDS	2

H-10000 TRAILER



TRAILER ASSY

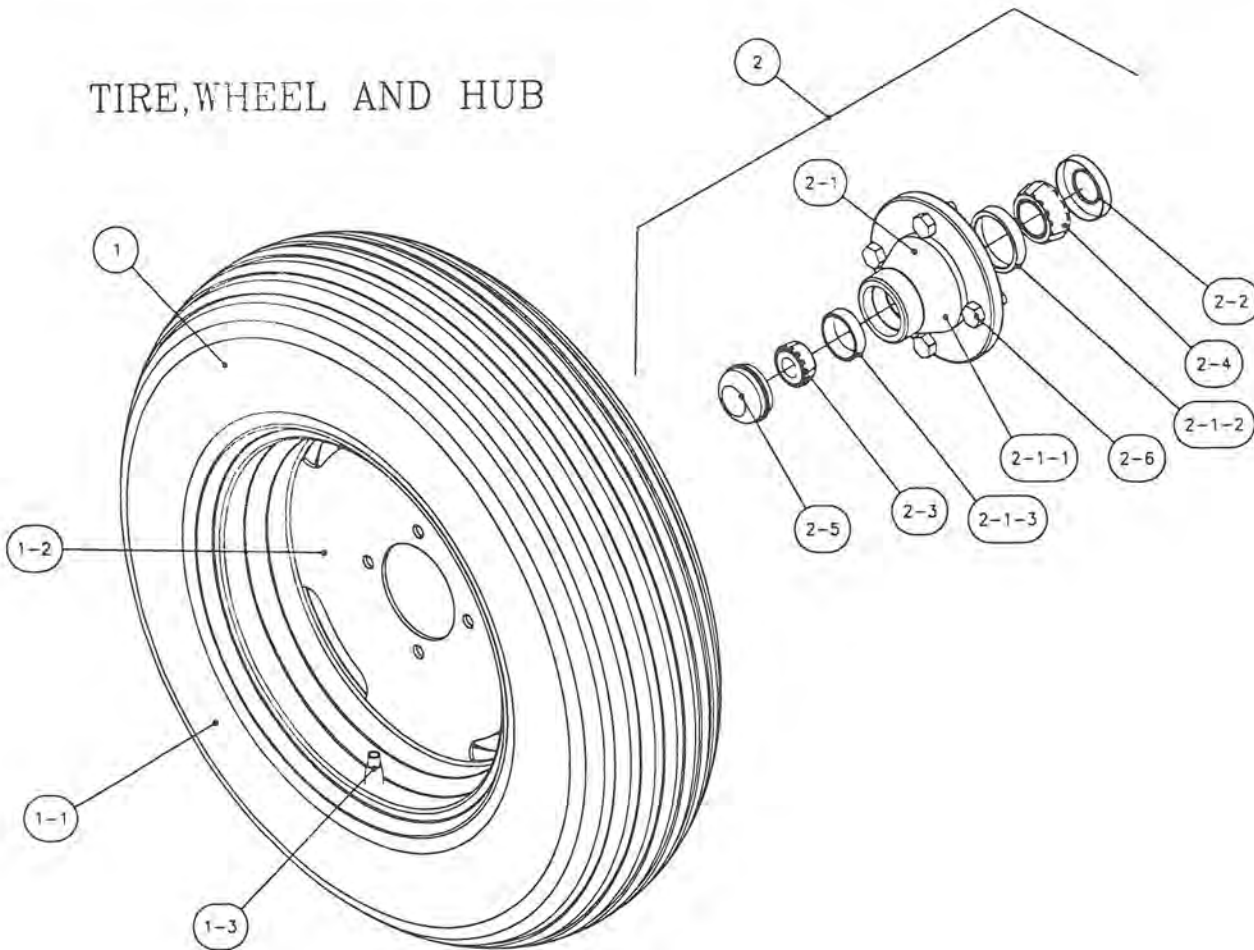
Item	Name	Description	Qty
1	242-89-00-000	TRAILER ASSY	1
1-1	242-18-14-000	RH SPINDLE SLEEVE HOLDER	1
1-1-1	242-18-00-102	OUTER SLEEVE	1
1-1-2	242-18-14-100	AXLE BRACE BRKT	1
1-1-3	R07795	1/2" HEX FLANGE NUT	1
1-1-4	242-18-14-101	REINFORCING BAR	1
1-1-5	R20141	SPINDLE W/ NUT	1
1-1-6	242-89-00-215	SPINDLE REINFORCING BAR	1
1-2	242-18-28-000	LH SPINDLE SLEEVE HOLDER	1
1-2-1	242-18-00-102	OUTER SLEEVE	1
1-2-2	242-18-14-100	AXLE BRACE BRKT	1
1-2-3	R07795	1/2" HEX FLANGE NUT	1
1-2-4	242-18-14-101	REINFORCING BAR	1
1-2-5	R20141	SPINDLE W/ NUT	1
1-2-6	242-89-00-215	SPINDLE REINFORCING BAR	1
1-3	242-18-15-000	CONTROL VALVE STAND ASSY	1
1-3-1	242-18-15-103	CONTROL VALVE STAND TUBE	1
1-3-2	242-18-15-104	CONTROL VALVE PLATE	1
1-3-3	242-18-15-106	STAND TUBE GUSSET	1
1-4	242-18-00-092	TRAILER TUBE	1
1-5	242-18-00-099	TONGUE BRKT	1
1-6	242-18-00-096	CYLINDER GUSSET	1
1-7	242-18-00-093	FRAME TUBE BRACE	2
1-8	242-18-00-095	ROLLER CASE STOP	1
1-9	242-89-00-243	TRAILER TUBE TONGUE PLATE	2
2	244-47-00-000	HYDRAULIC HOSE -TRACTOR TO CYLINDER	1
3	242-99-00-000	HITCH ASSY	1
3-1	242-99-00-241	LH SIDE PLATE	1
3-2	242-99-00-245	RH SIDE PLATE	1
3-3	242-99-00-238	HITCH BRACKET	1
3-4	242-99-00-239	UPPER TONGUE PLATE	1
3-5	242-99-00-240	LOWER TONGUE PLATE	1
3-6	242-99-00-242	PIN BRACKET	1
4	R20729	3 X 14" HYDRAULIC CYLINDER	1
5	R02043	1/2 X 3/8" BUSHING	4
6	R21366	1/2 X 90 STR ELBOW	2
7	242-98-00-000	DROP PIN ASSY	1
7-1	242-98-00-233	DROP PIN	1
7-2	R07925	1/4 X 1 1/2" PLATED RING	1
8	R21330	1/2 X 90- SWIVEL ADAPTOR	1
9	R20814	3/4 SAE X 1/2" NPT X 90- SWIVEL ADAPTOR	1
10	R21276	3/4 SAE X 1/2" NPT ADAPTOR	1
11	246-20-00-000	HYDRAULIC HOSE ASSY-TRACTOR TO CYLINDER	1
12	R21376	OPEN CENTER PLUG	1
13	R22252	CLOSED CENTER PLUG	1
14	R07803	3/8" LOCK WASHER	3
15	R07637	1/2 X 1" HEX HEAD BOLT	2

Item	Name	Description	Qty
16	R07674	1/2 X 1 1/4" HEX HEAD BOLT	4
17	R07805	1/2" LOCK WASHER	4
18	R07785	1/2" HEX NUT	4
19	R21336	3/8 X 90%%D STREET ELBOW	1
20	R07642	1/2 X 3 1/2" HEX HEAD BOLT	1
21	R07885	1/2" -2 WAY LOCK NUT	1
22	R07782	5/16" HEX NUT	3
23	290-33-00-000	1/2" HYDRAULIC HOSE ASSY-TRACTOR TO CONTROL	2
24	R21342	1/2" PIONEER TIP	4
25	R09653	CONTROL VALVE STICKER	1
26	R20142	3/4-16UNF SLOTTED HEX NUT	2
27	R08002	5/32 X 1 1/2" COTTER PIN	3
28	R07614	5/16 X 2 1/2" HEX BOLT	3
29	R22250	5 BANK MONOBLOCK VALVE W/ CHECKS	1
30	R07826	5/8" FLAT WASHER	1
31	R08027	7/8 X 1 3/8" COMPRESION SPRING	1
32	244-06-00-000	HITCH KIT	1

TIRE AND WHEEL ASSY

Item	Name	Description	Qty
1	250-65-00-000	TIRE AND WHEEL ASSY-5.90 X 15	1
1-1	R20016	5.90 X 15 RIB IMPLEMENT TIRE	1
1-2	R20057	4.5 X 15 WHEEL-4 BOLT	1
1-3	R20020	VALVE STEM	1
2	250-60-30-000	H-411 HUB COMPLETE	1
2-1	R20139	H-411 HUB W/CUPS	1
2-1-1	R20160	H-411 HUB	1
2-1-2	R20129	INNER CUP-LM67010	1
2-1-3	R20130	OUTER CUP-LM11910	1
2-2	R20144	GREASE SEAL-SE11	1
2-3	R20158	OUTER CONE-LM11949	1
2-4	R20159	INNER CONE-LM67048	1
2-5	R20143	DUST CAP DC-12	1
2-6	R20145	WHEEL BOLTS 1/2-20 UNF X 1"	4

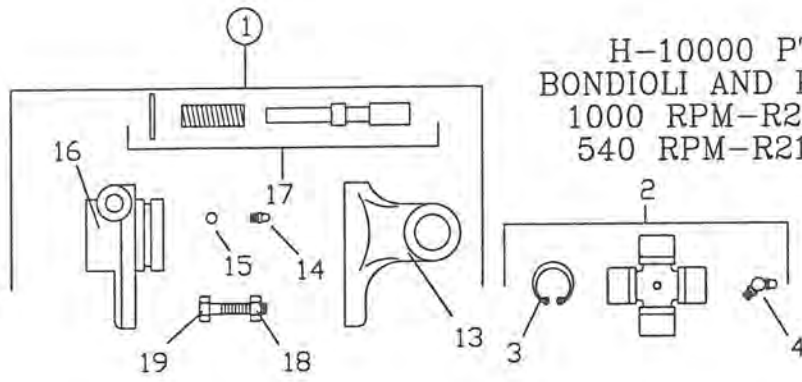
TIRE, WHEEL AND HUB



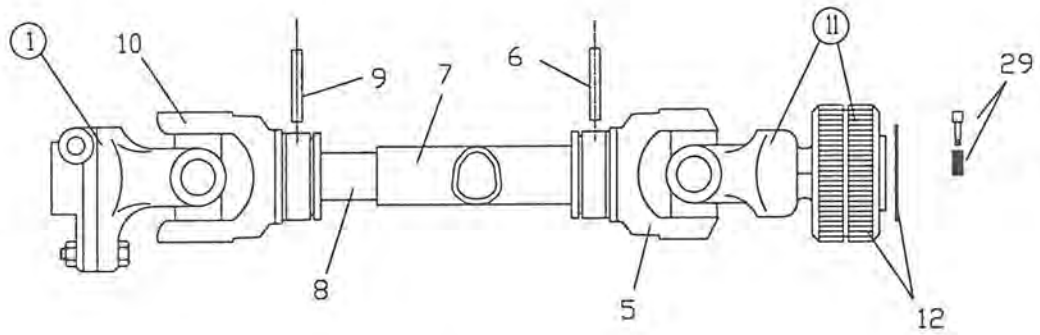
20 FT DISCHARGE PIPE KIT-10" PIPE

Item	Name	Description	Qty
1	286-10-00-000	20 FT DISCHARGE PIPE KIT-10" PIPE	1
1-1	286-10-01-000	20 FT DISCHARGE PIPE ASSY-10" PIPE	1
1-1-1	286-10-01-045A	DISCHARGE PIPE MAIN TUBE	1
1-1-2	286-10-01-045B	DISCHARGE PIPE ELBOW PC	1
1-1-3	286-10-01-045C	DISCHARGE PIPE END PC	1
1-1-4	286-10-03-000	DISCHARGE PIPE HOOK ASSY	1
1-1-4-1	286-10-03-060	DISCHARGE PIPE HOOK	1
1-1-4-2	286-10-03-061	LOWER DISCHARGE HOOK	1
1-2	286-10-02-000	10" ALUMINUM PUMP ELBOW ASSY	1
1-2-1	286-10-02-044A	PUMP ELBOW END PCS	2
1-2-2	286-10-02-044B	PUMP ELBOW MIDDLE PC	1
1-2-3	R02504	10" ALUMINUM BAND LOC RING	1
1-3	286-10-00-047	10" FLEX HOSE	1
1-4	R02492	10" SUPER CLAMP	2
1-7	R07781	1/4" NC HEX NUT	4
1-8	R09502	"HUSKY" DECAL	1
1-9	R09690	"TIE DOWN" STICKER	1
1-10	R07677	1/4 x 3/4" HEX BOLT	4
1-11	R07821	1/4" FLAT WASHER	4
2	242-33-00-000	BIPOD LEG ASSY	2
2-1	242-33-00-155	BIPOD LEG	2
2-2	242-33-00-156	LEG HOOK	2
3	242-79-00-000	BIPOD LEG CHAIN ASSY	1
3-1	242-79-00-199	BIPOD LEG CHAIN	1
3-2	242-79-00-198	BIPOD LEG CLIP	2
4	R07948	5/32" HAIR PIN	2
5	286-13-00-000	10" CLAMP AND CHAIN ASSY	1
5-1	R02500	10" BANDLOC CLAMP	1
5-2	250-97-00-297	CLAMP CHAIN	1

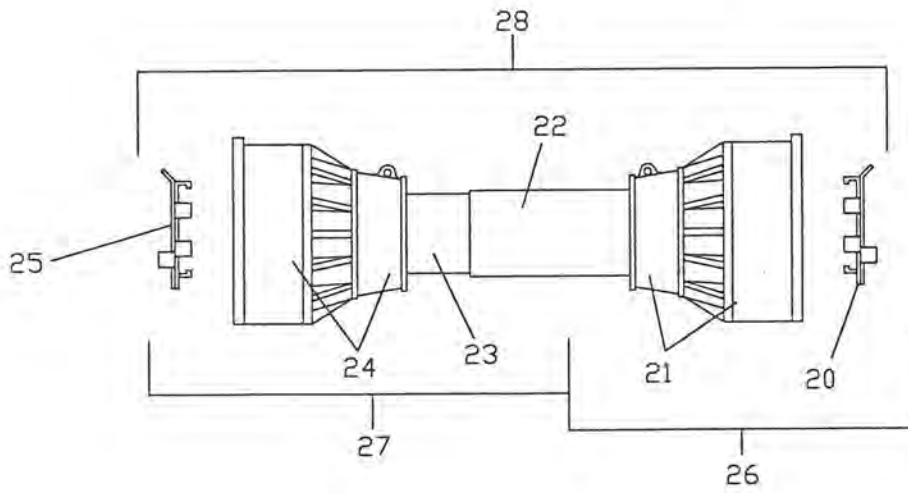
H-10000 PTO
 BONDIOLI AND PAVESI
 1000 RPM-R21607
 540 RPM-R21606



IMPLEMENT
 END

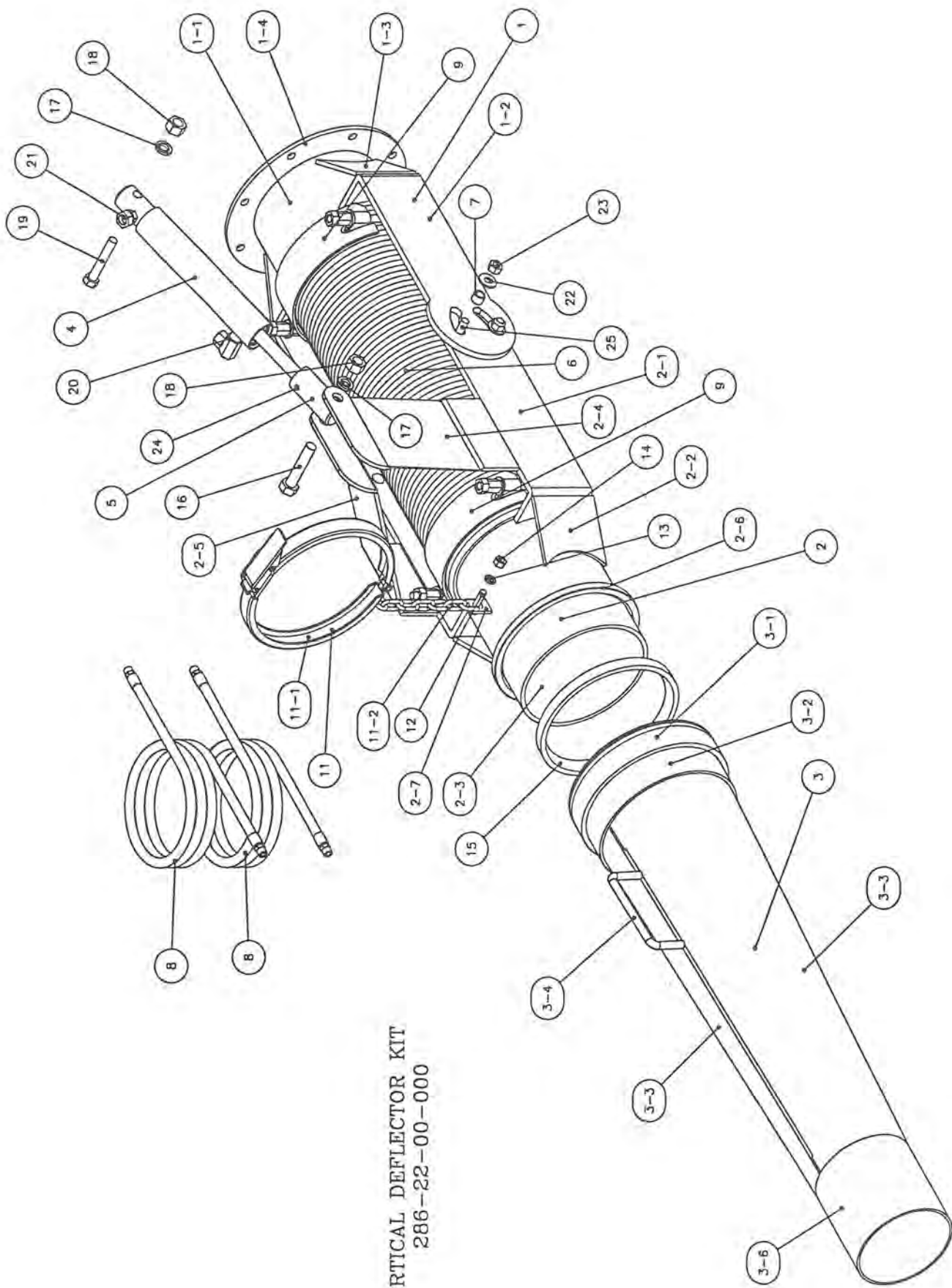


TRACTOR
 END



H10000 BONDIOLI AND PAVESI PTO

Item	Mfg #	Name	Description	Qty
1	60680808122R	R21639	1 3/4"-27 TOOTH TORQUE LIMITER	1
2	41208	R21614	CROSS JOURNAL ASSY	2
3	338023000	R21621	CIRCLIP	8
4	348004000	R21655	GREASE NIPPLE	2
5	204086860	R21620	OUTER TUBE YOKE	1
6	341054000	R21613	FLEXIBLE PIN	1
7	225730803	R21616	CM CARDAN TUBE-OUTER 803mm LONG	1
8	225690803	R21615	CM CARDAN TUBE-INNER 803mm LONG	1
9	341055000R10	R21612	FLEXIBLE PIN	1
10	204086861	R21619	INNER TUBE YOKE	1
11	572083751	R21640	1 3/8-21 TOOTH QD YOKE W/SLEEVES	1
11	572080351	R21641	1 3/8-6 TOOTH QD YOKE W/SLEEVES	1
11	572083851	R21644	1 3/4-20 TOOTH QD YOKE W/SLEEVES	1
12	240003551	R21713	R.S. COLLAR KIT	1
13	213080053	R22310	SHEAR YOKE-SLIDE COLLAR	1
14	348012000	R21672	5/16" GREASE ZERK	1
15	362003000R25	R21539	5/16" DIA BALL	24
16	525083901	R22311	SHEAR HUB-SLIDE COLLAR	1
17	435000400	R22312	SLIDE COLLAR KIT	1
18	M12-1.75 X 65	R21602	M12 X 65 HEX BOLT	1
19	M12-1.75	R21604	M12 NY-LOCK NUT	1
20	255080005R02	R21609	SHIELD SUPPORT 8-9-0	1
21	517080130	R21610	OUTER CONE SETS N8-9	1
22	236850732	R21618	CM OUTER SAFETY TUBE 732mm LONG	1
23	236840732	R21617	CM INNER SAFETY TUBE 732mmLONG	1
24	517080120	R21611	INNER CONE SETS N8-9	1
25	255080006R02	R21608	SHIELD SUPPORT 8-9-0	1
26	5FE8101FFFX	R21627	HALF SAFETY GUARD-OUTER	1
27	5F18101FFFX	R21628	HALF SAFETY GUARD-INNER	1
28	5F08101FFFX	R21629	SAFETY GUARD COMPLETE	1
29	403000001R10	R21669	PUSH PIN COMPLETE-1 3/8-6 TOOTH	1
29	403000013	R21669	PUSH PIN COMPLETE-1 3/8-21 TOOTH	1
29	403000011	R21735	PUSH PIN COMPLETE-1 3/4-20 TOOTH	1
30	399143000	R22308	DANGER LABEL	1
31	399141000	R22309	DANGER LABEL	1

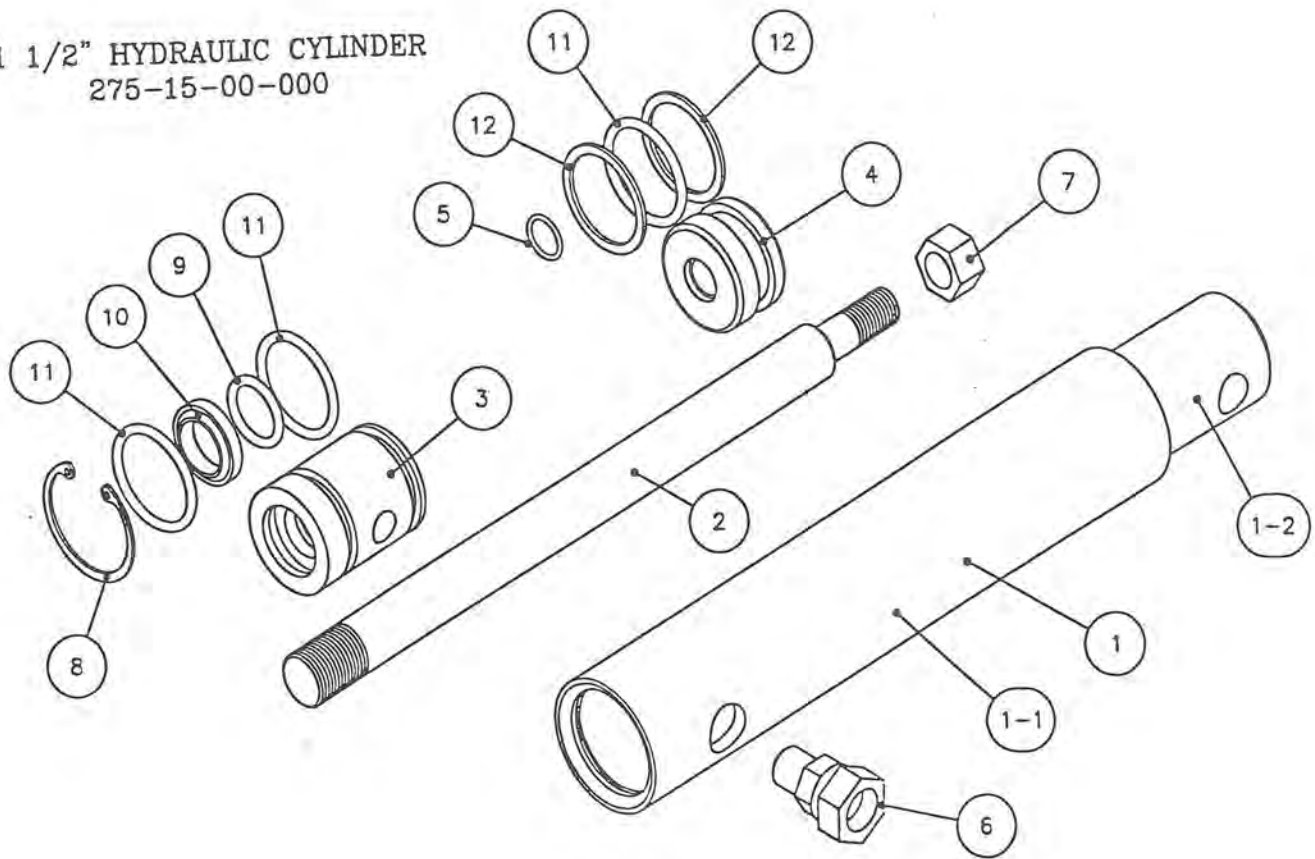


VERTICAL DEFLECTOR KIT
286-22-00-000

VERTICAL DEFLECTOR KIT 286-22-00-000

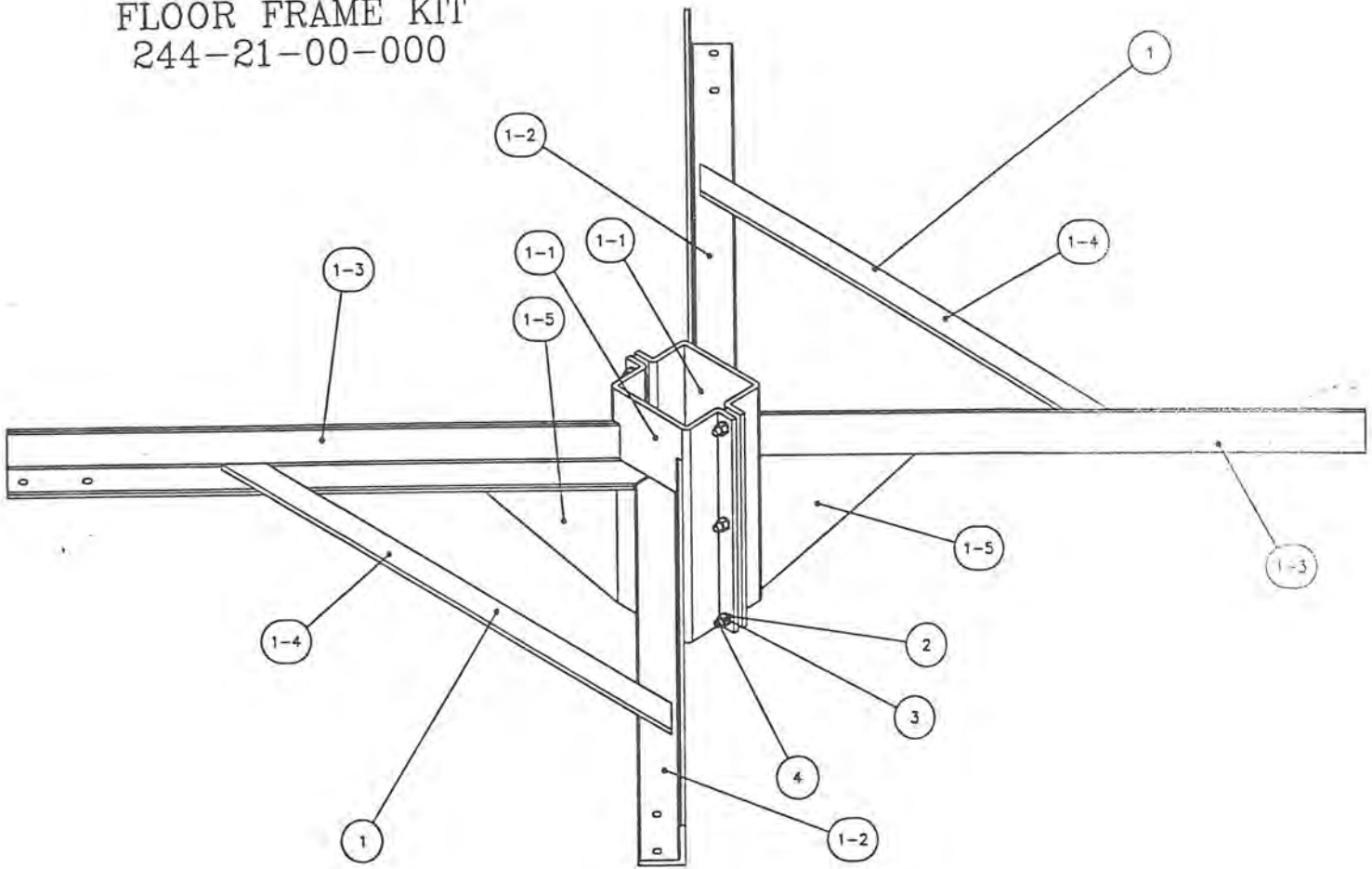
Item	Name	Description	Qty
1	286-22-01-000	OUTER PIVOT BRKT ASSY	1
1-1	286-22-01-062	HOSE PIPE	1
1-2	386-05-02-093	8" OUTER PIVOT BRKT	2
1-3	386-05-01-094	GUSSET	2
1-4	242-58-48-285	FLANGE	1
2	286-22-02-000	INNER PIVOT BRKT ASSY	1
2-2	386-05-01-094	GUSSET	2
2-3	244-08-00-307	CLAMP RING	1
2-4	286-22-02-072	LH CYLINDER BRKT	1
2-5	286-22-02-073	RH CYLINDER BRKT	1
2-6	286-22-02-067	LONG HOSE CONNECTOR TUBE	1
2-7	250-96-00-298	CHAIN LUG	1
2-1	386-05-01-092	8" INNER PIVOT BRKT	2
3	286-22-03-000	CONE ASSY	1
3-1	244-07-01-306	COUPLING BASE	1
3-2	286-22-03-068	EXTENSION PIPE	1
3-3	286-22-03-069	LONG CONE 8" TO 6"	2
3-4	244-12-03-341	CONE HANDLE	1
3-6	286-22-03-071	6" EXTENSION PIPE	1
4	275-15-00-000	1 1/2" HYDRAULIC CYLINDER	1
5	242-58-00-293	CYLINDER SHAFT LUG	1
6	386-05-03-095	FLEX HOSE	1
7	386-05-03-096	SPACER PIPE	4
8	244-67-00-000	HYDRAULIC HOSE ASSY	2
9	R02844	8" SPIRAL CLAMP	2
11	244-09-00-000	CLAMP AND CHAIN ASSY	1
11-1	R02488	8" RINGLOCK CLAMP	1
11-2	250-97-00-297	CLAMP CHAIN	1
12	R07675	3/8 X 1 1/4" HEX BOLT	1
13	R07803	3/8" LOCK WASHER	1
14	R07783	3/8" HEX NUT	1
15	R02360	8" RAINWAY GASKET	1
16	R07649	5/8 X 3" HEX BOLT	1
17	R07806	5/8" LOCK WASHER	2
18	R07786	5/8" HEX NUT	2
19	R07641	1/2 X 3" HEX BOLT	1
20	R21366	1/2 X 90 STR ELBOW	1
21	R21287	1/4M X 3/8 SWIVEL ADAPTOR	1
22	R07824	7/16" FLAT WASHER	4
23	R07891	7/16" HEX LOCK NUT	4
24	R07926	5/16"-18 UNC X 1/4" S.S. SET SCREW	1
25	R07733	7/16 X 1 1/2" CARRIAGE BOLT	4

1 1/2" HYDRAULIC CYLINDER
275-15-00-000



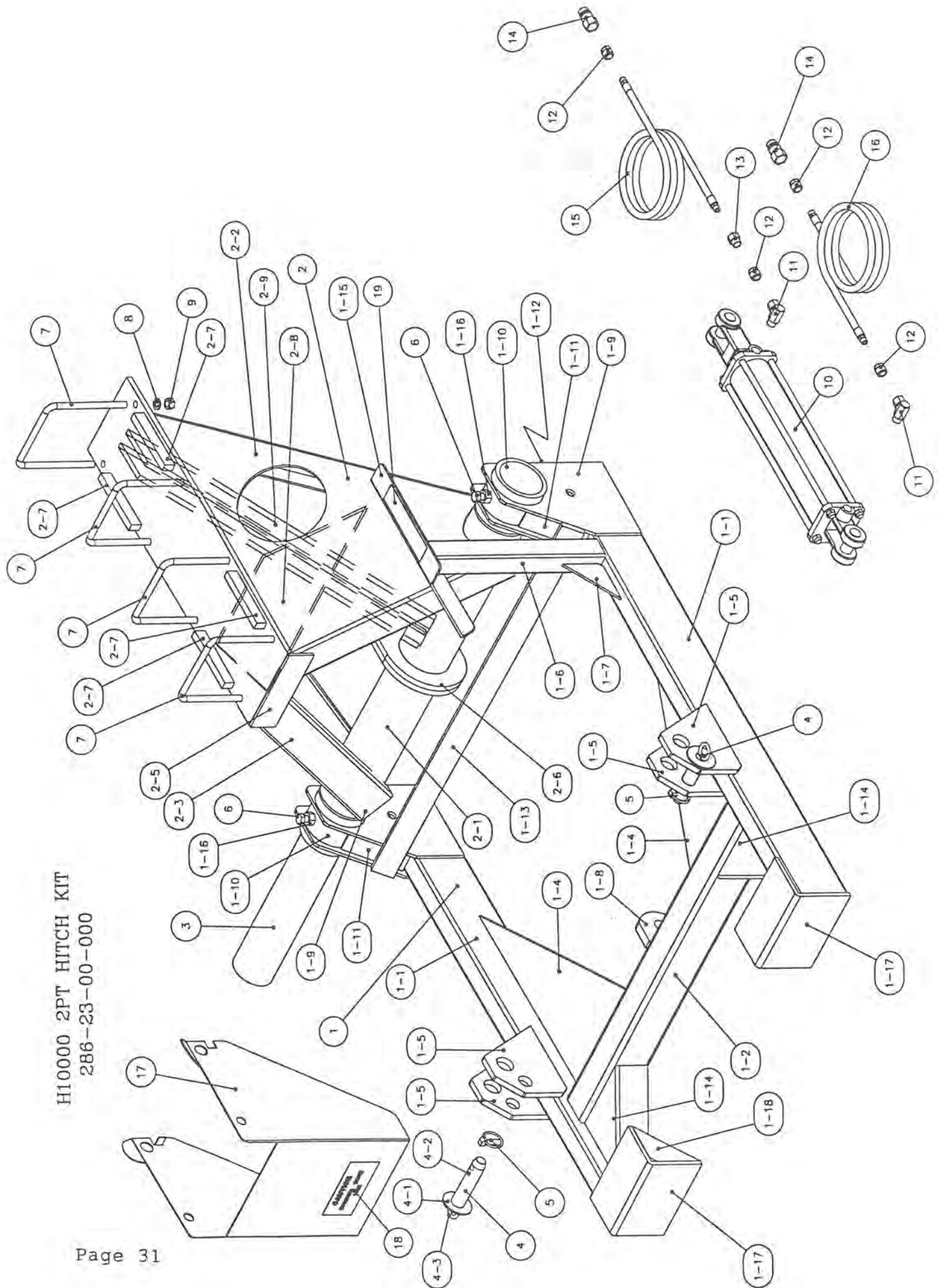
1 1/2" HYDRAULIC CYLINDER COMPLETE 275-15-00-000			
Item	Name	Material	Qty
1	275-14-00-000	CYLINDER TUBE W/ LUG ASSY	1
1-1	250-70-28-155	HYDRAULIC CYLINDER TUBE	1
1-2	275-14-00-076	CYLINDER END CAP	1
2	275-15-00-122	HYDRAULIC CYLINDER SHAFT	1
3	340-36-00-434	WIPER BLOCK	1
4	340-36-00-435	CYLINDER PLUNGER	1
5	R20865	O-RING #11-014	1
6	R21287	1/4M X 3/8 SWIVEL ADAPTOR	1
7	R07885	1/2" -2 WAY LOCK NUT	1
8	R07967	1 1/2" R3000X150 INTERNAL SNAP RING	1
9	R20771	O-RING #11-210	1
10	R20774	3/4" HYTREL ROD WIPER	1
11	R20866	O-RING #11-218	3
12	R20867	BACKUP RING #8-218	2

FLOOR FRAME KIT
244-21-00-000



FLOOR FRAME KIT 244-21-00-000			
Item	Name	Description	Qty
1	244-21-01-000	FLOOR FRAME ASSY	2
1-1	244-21-01-419	SHAFT TUBE CLAMP BRKT	2
1-2	244-21-01-418	RH FLOOR FRAME ANGLE	2
1-3	244-21-01-417	LH FLOOR FRAME ANGLE	2
1-4	250-91-55-262	BRACE	2
1-5	244-21-01-420	GUSSET	4
2	R07804	7/16" LOCK WASHER	6
3	R07784	7/16" NYLOC HEX NUT	6
4	R07629	7/16 X 1 1/2" HEX BOLT	6

H10000 2PT HITCH KIT
286-23-00-000



2PT HITCH KIT 286-23-00-000

Item	Name	Description	Qty
1	286-23-02-000	2PT HITCH MAIN FRAME ASSY	1
1-1	250-87-44-215	LFT ARM	2
1-2	250-87-44-216	CROSS BRACE	1
1-4	250-87-44-219	CROSS BRACE GUSSET	2
1-5	250-87-44-220	LIFT BRKT	4
1-6	242-60-41-266	CONTROL VALVE STAND TUBE	1
1-7	242-60-41-267	GUSSET	1
1-8	250-87-44-221	CYLINDER LUG	1
1-9	286-23-02-080	TILT FRAME BRKT	4
1-10	286-23-02-081	TILT FRAME BRKT SLEEVE	2
1-11	250-87-44-224	FRONT FILLER PLATE	2
1-12	250-87-44-225	REAR FILLER PLATE	2
1-13	250-87-44-226	CROSS STRAP	1
1-14	250-87-44-218	ANGLE GUSSET	2
1-15	242-18-15-104	CONTROL VALVE PLATE	1
1-16	R07785	1/2" HEX NUT	2
1-17	250-87-44-217	END CAP	2
1-18	250-87-44-335	GUSSET	2
2	286-23-01-000	"A" FRAME ASSY	1
2-1	286-23-01-075	SUPPORT ARM SLEEVE	1
2-2	286-23-01-076	LH SUPPORT ARM	1
2-3	286-23-01-077	RH SUPPORT ARM	1
2-4	242-60-35-252	TOP SUPPORT PLATE	1
2-5	242-60-35-251	GUSSET	1
2-6	286-23-01-074	CYLINDER AXLE BRKT	2
2-7	242-30-35-302	STABILIZER BAR	4
2-8	286-23-01-078	GUSSET	1
2-9	286-23-01-079	REINFORCING BARS	2
3	286-23-00-082	INNER AXLE TUBE	1
4	250-87-56-000	HITCH PIN ASSY	2
4-1	R07828	1" FLAT WASHER	2
4-2	250-87-56-264	DRAW PIN	2
4-3	R07925	1/4 X 1 1/2" RING	2
5	R08040	2-18 LYNCH PIN ASSY	2
6	R07637	1/2-13 UNC X 1" HEX BOLT	2
7	R08173	1/2"-13 UNC "U" BOLT	4
8	R07805	1/2" LOCK WASHER	8
9	R07785	1/2" HEX NUT	8
10	R20724	4" X 14" HYDRAULIC CYLINDER	1
11	R21366	1/2 X 90 STR ELBOW	2
12	R02043	1/2 X 3/8" BUSHING	2
13	R21336	3/8-18 NPT RESTRICTOR	1
14	R21342	1/2" PIONEER TIP	2
15	250-87-51-000	HYDRAULIC HOSE ASSY	1
16	250-87-52-000	HYDRAULIC HOSE ASSY	1
17	286-23-00-083	PTO GUARD-2PT HITCH	1
18	R21521	"CAUTION ROTATING DRIVE LINE "DECAL"	1
19	R09673	HYDRAULIC CONTROL DECAL	1

WALL BRACKET KIT 242-44-00-000

Item	Name	Description	Qty
1	242-44-01-000	WALL BRKT ASSY	1
1-1	242-44-01-379	INNER WALL PLATE	1
1-2	242-44-01-380	SPACER PLATE	2
1-3	244-21-01-419	SHAFT TUBE CLAMP BRKT	1
2	242-44-00-381	OUTER WALL BRKT	1
3	R07742	1/2 X 1 1/4" CARRIAGE BOLT	3
4	R08219	1/2" HEX NUT	3
5	R07825	1/2" FLAT WASHER	9
6	244-21-01-419	SHAFT TUBE CLAMP BRKT	1
7	R07937	5/8" X 305mm LONG REDDI THREAD	3
8	R07806	5/8" LOCK WASHER	6
9	R07629	7/16 X 1 1/2" HEX BOLT	6
10	R07784	7/16" NYLOC HEX NUT	6
11	R07804	7/16" LOCK WASHER	6
12	R07842	5/8 X 3" STAR STUD LAGS	3
13	R07786	5/8" HEX NUT	6

WALL BRACKET KIT 242-44-00-000

