

Date Purchased _____ Machine Serial No. _____

Options _____

The key number system in this parts book is arranged as follows:

- ⊙ - Key numbers with two circles denotes main assemblies.
- - Key numbers with one circle are individual parts

Please order parts by number



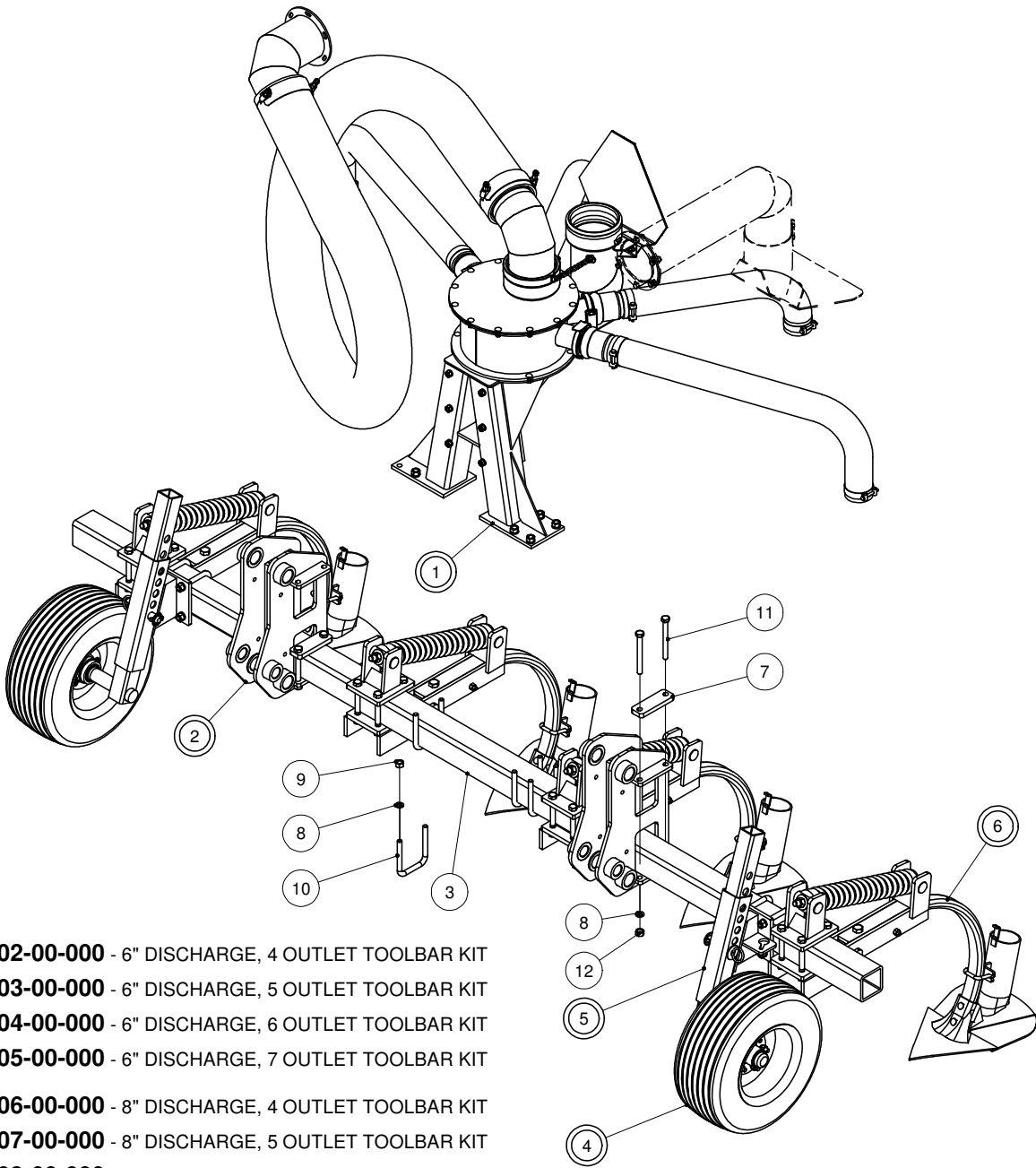
PARALLEL LIFT & SLIMLINE REAR MOUNT SOIL INJECTOR

OPERATING INSTRUCTIONS:

Your Husky Rear Mount Soil Injector is designed to open up the ground wide enough to pump in a stream of manure below the ground surface. Although it is a well built machine it is not indestructible and should be used with common sense

1. Do not try to operate in very hard or stony ground
2. Volume can be controlled by P.T.O. and ground travel speed, as well as how far you open the valve.
3. Your P.T.O. shear pin will protect the injector pump. However, you should try and not inject foreign material, stones etc. Pump can be run at either 540 or 1000 r.p.m, with some tractors it may be necessary to stop P.T.O. or slow it down while turning to avoid shearing pins.
4. Never make a corner with RMSI still in the ground. Lift Injector out of the ground, and then proceed to turn. The injector can then be put back into the ground when tractor is in-line with spreader.
5. **EXTREME DANGER** – Never enter a dirty manure spreader or storage tank – one breath of hydrogen sulphide gas is enough to kill.

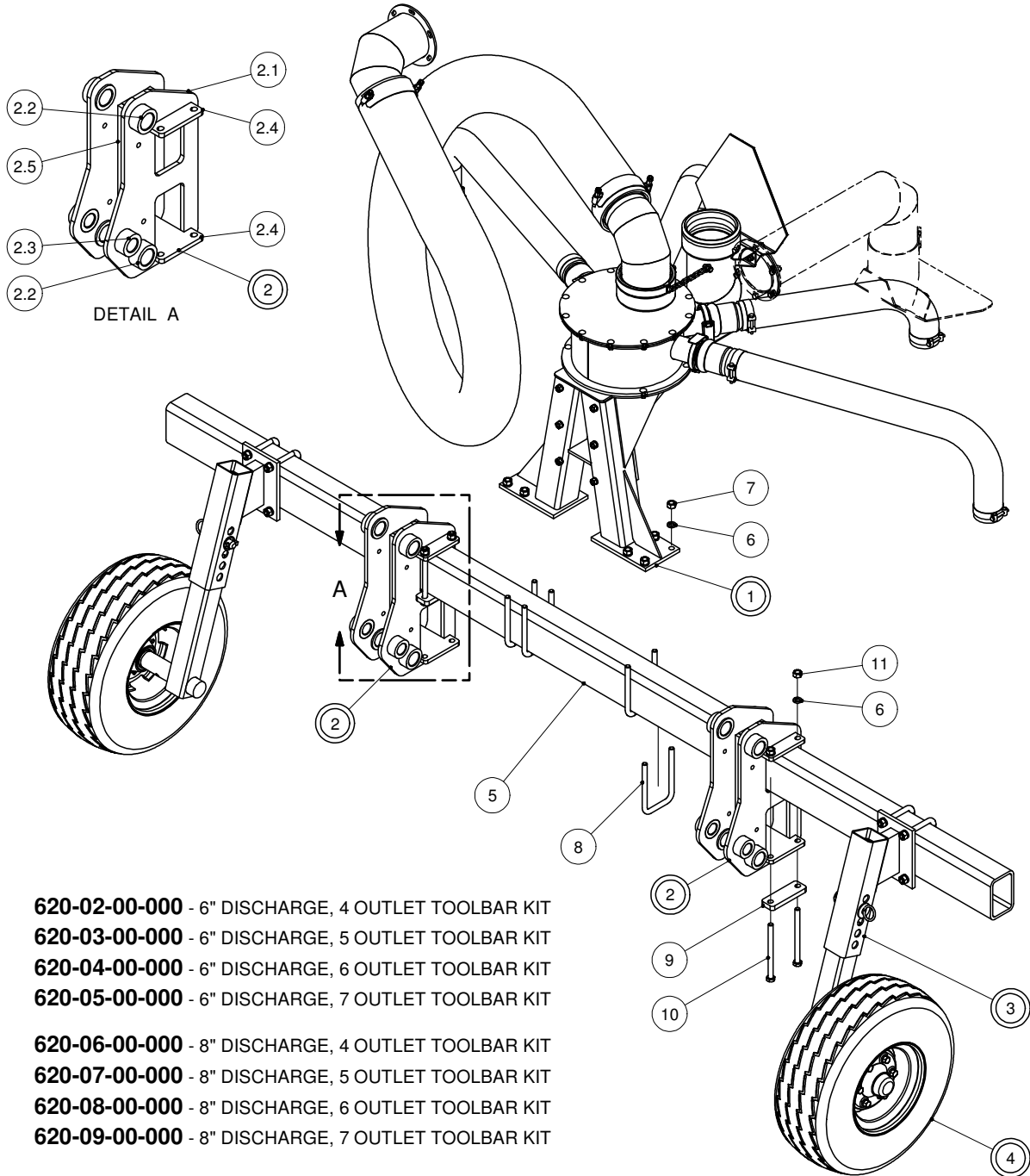
TOOLBAR KIT 4 x 4 TUBE



- 621-02-00-000** - 6" DISCHARGE, 4 OUTLET TOOLBAR KIT
- 621-03-00-000** - 6" DISCHARGE, 5 OUTLET TOOLBAR KIT
- 621-04-00-000** - 6" DISCHARGE, 6 OUTLET TOOLBAR KIT
- 621-05-00-000** - 6" DISCHARGE, 7 OUTLET TOOLBAR KIT
- 621-06-00-000** - 8" DISCHARGE, 4 OUTLET TOOLBAR KIT
- 621-07-00-000** - 8" DISCHARGE, 5 OUTLET TOOLBAR KIT
- 621-08-00-000** - 8" DISCHARGE, 6 OUTLET TOOLBAR KIT
- 621-09-00-000** - 8" DISCHARGE, 7 OUTLET TOOLBAR KIT

| PARTS LIST | | | | PARTS LIST | | | |
|------------|---------------|-------------------------------|-----|------------|---------------|-------------------------------|-----|
| ITEM | PART NUMBER | DESCRIPTION | QTY | ITEM | PART NUMBER | DESCRIPTION | QTY |
| 1 | 620-02-01-000 | 6in DISTRIBUTOR KIT, 4 OUTLET | 1 | 4 | 308-84-00-000 | 20.5/8.0 TIRE & WHEEL ASSY | 2 |
| | 620-03-01-000 | 6in DISTRIBUTOR KIT, 5 OUTLET | 1 | 5 | 308-85-00-000 | ADJUSTABLE WHEEL BRKT KIT | 1 |
| | 620-04-01-000 | 6in DISTRIBUTOR KIT, 6 OUTLET | 1 | 6 | 621-01-00-000 | HUSKY SPRING TOOTH KIT | 4 |
| | 620-05-01-000 | 6in DISTRIBUTOR KIT, 7 OUTLET | 1 | 7 | 620-02-00-046 | BOLT PLATE | 4 |
| | 620-06-01-000 | 8in DISTRIBUTOR KIT, 4 OUTLET | 1 | 8 | R07806 | 5/8" LOCK WASHER | 16 |
| | 620-07-01-000 | 8in DISTRIBUTOR KIT, 5 OUTLET | 1 | 9 | R07816 | 5/8-18 UNF HEX NUT | 8 |
| | 620-08-01-000 | 8in DISTRIBUTOR KIT, 6 OUTLET | 1 | 10 | R08181 | 5/8 - 18 UNF U-BOLT x 6" LONG | 4 |
| | 620-09-01-000 | 8in DISTRIBUTOR KIT, 7 OUTLET | 1 | 11 | R07653 | 5/8 x 6 UNC HEX BOLT | 8 |
| 2 | 620-02-04-000 | LIFT BRKT KIT | 2 | 12 | R07786 | 5/8-11 UNC HEX NUT | 8 |
| 3 | 308-19-00-052 | TOOL BAR - 12 FT | 1 | | | | |

TOOLBAR KIT 4 x 6 TUBE

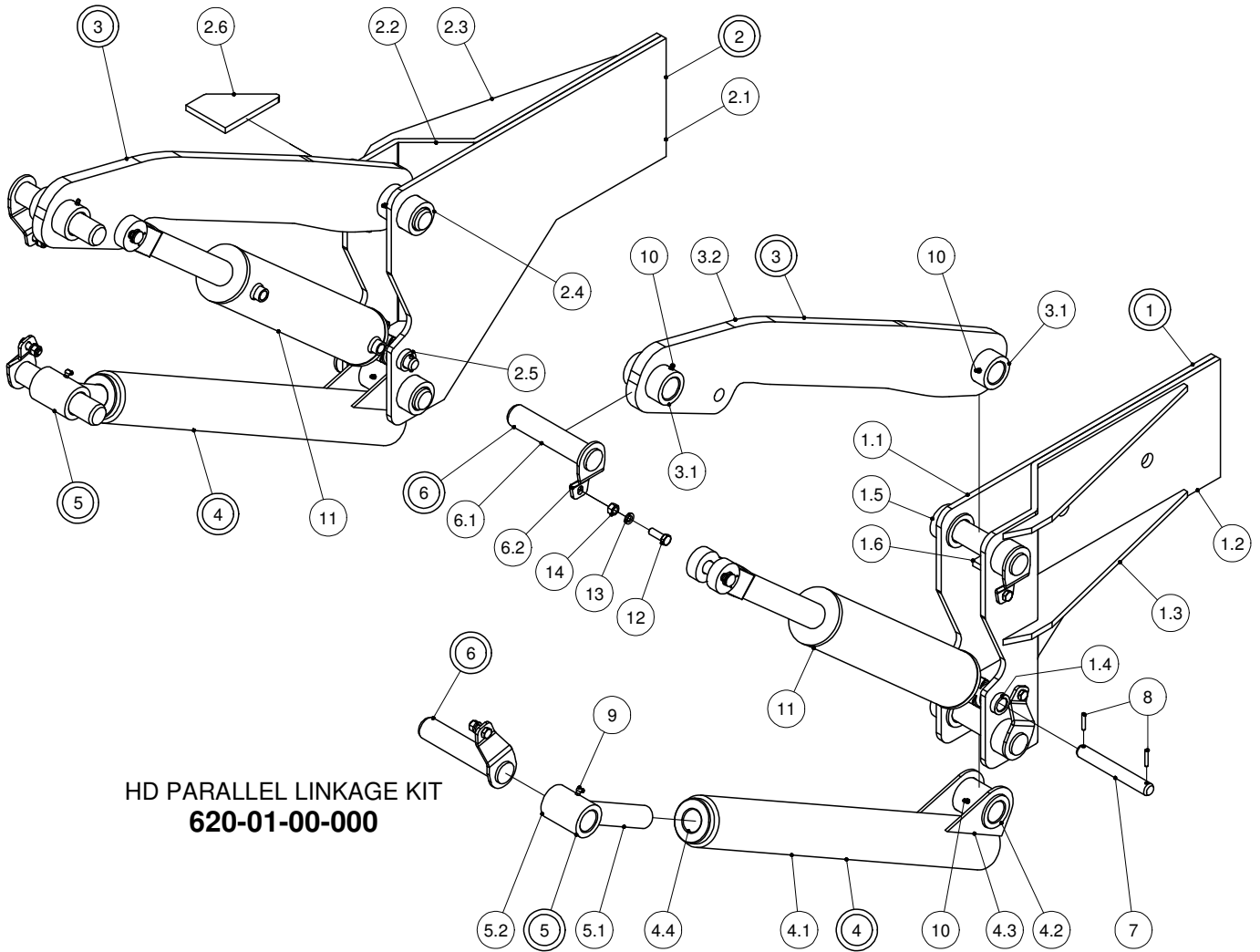


- 620-02-00-000** - 6" DISCHARGE, 4 OUTLET TOOLBAR KIT
- 620-03-00-000** - 6" DISCHARGE, 5 OUTLET TOOLBAR KIT
- 620-04-00-000** - 6" DISCHARGE, 6 OUTLET TOOLBAR KIT
- 620-05-00-000** - 6" DISCHARGE, 7 OUTLET TOOLBAR KIT

- 620-06-00-000** - 8" DISCHARGE, 4 OUTLET TOOLBAR KIT
- 620-07-00-000** - 8" DISCHARGE, 5 OUTLET TOOLBAR KIT
- 620-08-00-000** - 8" DISCHARGE, 6 OUTLET TOOLBAR KIT
- 620-09-00-000** - 8" DISCHARGE, 7 OUTLET TOOLBAR KIT

| PARTS LIST | | | | PARTS LIST | | | |
|------------|---------------|-------------------------------|-----|------------|---------------|---|-----|
| ITEM | PART NUMBER | DESCRIPTION | QTY | ITEM | PART NUMBER | DESCRIPTION | QTY |
| 1 | 620-02-01-000 | 6in DISTRIBUTOR KIT, 4 OUTLET | 1 | 2.4 | 620-02-04-019 | "U" BOLT PLATE | 2 |
| | 620-03-01-000 | 6in DISTRIBUTOR KIT, 5 OUTLET | 1 | 2.5 | 620-02-04-020 | LIFT BRKT SPACER PLATE | 1 |
| | 620-04-01-000 | 6in DISTRIBUTOR KIT, 6 OUTLET | 1 | 3 | 620-02-05-000 | XHD ADJUSTABLE WHEEL KIT - 4" x 6" TUBE | 2 |
| | 620-05-01-000 | 6in DISTRIBUTOR KIT, 7 OUTLET | 1 | 4 | 620-19-00-000 | 25.5/8.0 TIRE & WHEEL ASSY | 2 |
| | 620-06-01-000 | 8in DISTRIBUTOR KIT, 4 OUTLET | 1 | 5 | 620-02-00-016 | 4" x 6" TOOLBAR - 12 FT | 1 |
| | 620-07-01-000 | 8in DISTRIBUTOR KIT, 5 OUTLET | 1 | 6 | R07806 | 5/8" LOCK WASHER | 16 |
| | 620-08-01-000 | 8in DISTRIBUTOR KIT, 6 OUTLET | 1 | 7 | R07816 | 5/8-18 UNF HEX NUT | 8 |
| | 620-09-01-000 | 8in DISTRIBUTOR KIT, 7 OUTLET | 1 | 8 | R08452 | 5/8 - 18 UNF x 4" ID x 7.375" LONG U BOLT | 4 |
| 2 | 620-02-04-000 | LIFT BRKT KIT | 2 | 9 | 620-02-00-046 | BOLT PLATE | 4 |
| 2.1 | 620-02-04-017 | LIFT BRKT SIDE PLATE | 2 | 10 | R08300 | 5/8 x 8 UNC HEX BOLT | 8 |
| 2.2 | 620-01-01-005 | 1 3/4" OUTER BUSHING | 4 | 11 | R07786 | 5/8-11 UNC HEX NUT | 8 |
| 2.3 | 620-02-04-018 | 3-PT HITCH LIFT ARM BUSHING | 2 | | | | |

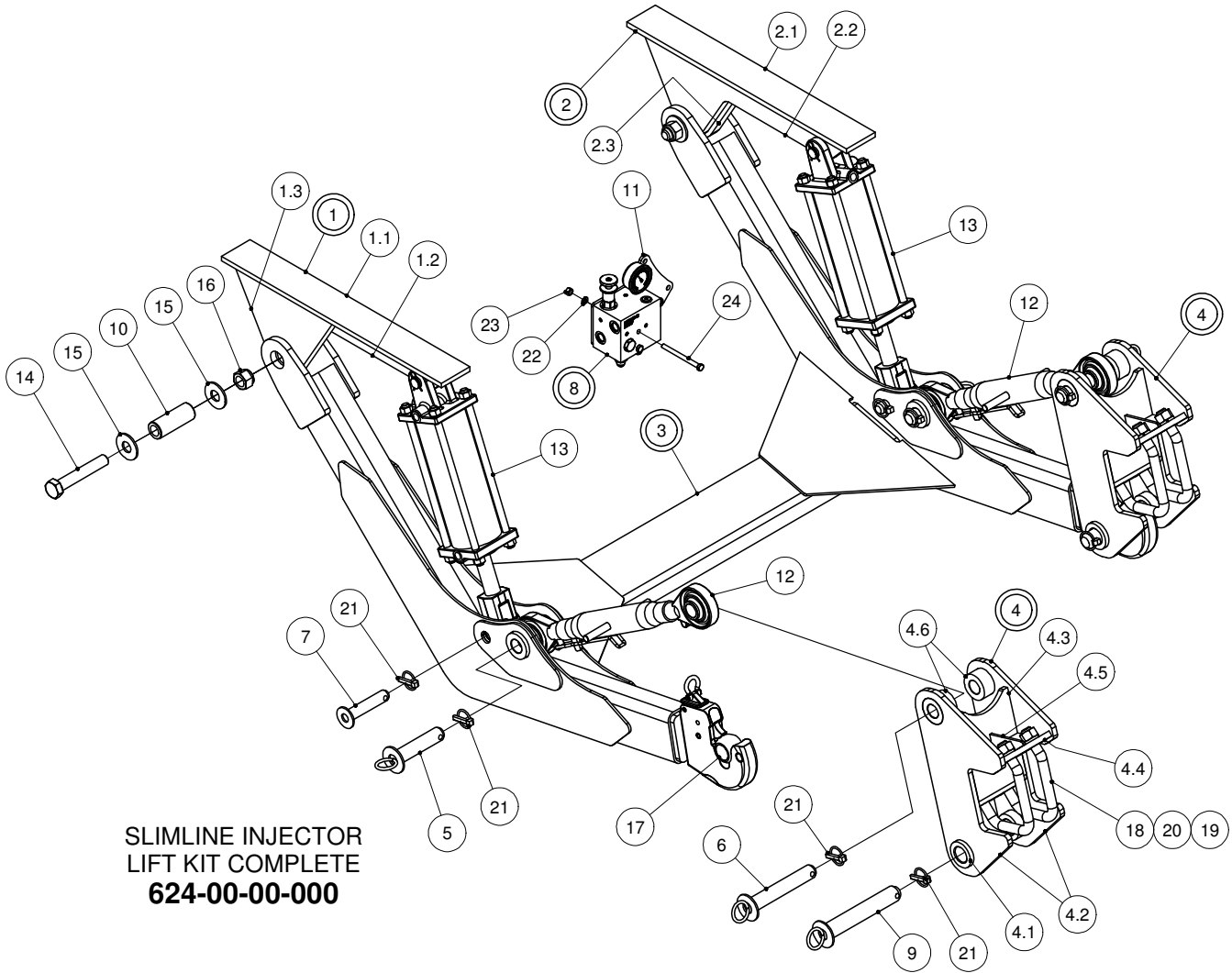
HD PARALLEL LINKAGE KIT



**HD PARALLEL LINKAGE KIT
620-01-00-000**

| PARTS LIST | | | | PARTS LIST | | | |
|------------|---------------|-------------------------------|-----|------------|---------------|-----------------------------------|-----|
| ITEM | PART NUMBER | DESCRIPTION | QTY | ITEM | PART NUMBER | DESCRIPTION | QTY |
| 1 | 620-01-01-000 | RH MOUNTING BRKT ASSY | 1 | 4.1 | 620-01-04-010 | LOWER LIFT ARM TUBE | 1 |
| 1.1 | 620-01-01-001 | INNER MOUNTING BRKT | 1 | 4.2 | 620-01-04-011 | 1 3/4" LOWER LIFT ARM BUSHING | 1 |
| 1.2 | 620-01-01-002 | RH OUTER MOUNTING BRKT | 1 | 4.3 | 620-01-04-012 | BUSHING GUSSET | 2 |
| 1.3 | 620-01-01-004 | OUTER GUSSET | 2 | 4.4 | 620-01-04-013 | 1 3/4" ADJUSTMENT NUT | 1 |
| 1.4 | 620-01-01-006 | CYL BUSHING | 2 | 5 | 620-01-05-000 | ADJUSTMENT SCREW ASSY | 2 |
| 1.5 | 620-01-01-005 | 1 3/4" OUTER BUSHING | 4 | 5.1 | 620-01-05-014 | ADJUSTMENT ROD | 1 |
| 1.6 | 620-01-01-007 | INNER GUSSET | 2 | 5.2 | 620-01-04-011 | 1 3/4" LOWER LIFT ARM BUSHING | 1 |
| 2 | 620-01-02-000 | LH MOUNTING BRKT ASSY | 1 | 6 | 620-01-10-000 | PIVOT PIN ASSY | 8 |
| 2.1 | 620-01-01-001 | INNER MOUNTING BRKT | 1 | 6.1 | 620-01-10-032 | 1 3/4" PIVOT PIN | 1 |
| 2.2 | 620-01-02-003 | LH OUTER MOUNTING BRKT | 1 | 6.2 | 620-01-10-033 | ANTI-ROTATION PLATE | 1 |
| 2.3 | 620-01-01-004 | OUTER GUSSET | 2 | 7 | 620-01-00-022 | CYL PIN | 2 |
| 2.4 | 620-01-01-005 | 1 3/4" OUTER BUSHING | 4 | 8 | R07962 | 1/4 x 1 1/2 ROLL PIN | 4 |
| 2.5 | 620-01-01-006 | CYL BUSHING | 2 | 9 | R08182 | 1/4" - 28 X 90 GREASE FITTING | 2 |
| 2.6 | 620-01-01-007 | INNER GUSSET | 2 | 10 | R08183 | 1/4" - 28 STRAIGHT GREASE FITTING | 6 |
| 3 | 620-01-03-000 | UPPER LIFT ARM ASSY | 2 | 11 | R22340 | 40WD16-200 HYD CYLINDER | 2 |
| 3.1 | 620-01-03-009 | 1 3/4" UPPER LIFT ARM BUSHING | 2 | 12 | R07638 | 1/2 x 1 1/2 UNC HEX BOLT | 8 |
| 3.2 | 620-01-03-008 | UPPER LIFT ARM | 1 | 13 | R07805 | 1/2" LOCK WASHER | 8 |
| 4 | 620-01-04-000 | LOWER LIFT ARM ASSY | 2 | 14 | R07785 | 1/2-13 UNC HEX NUT | 8 |

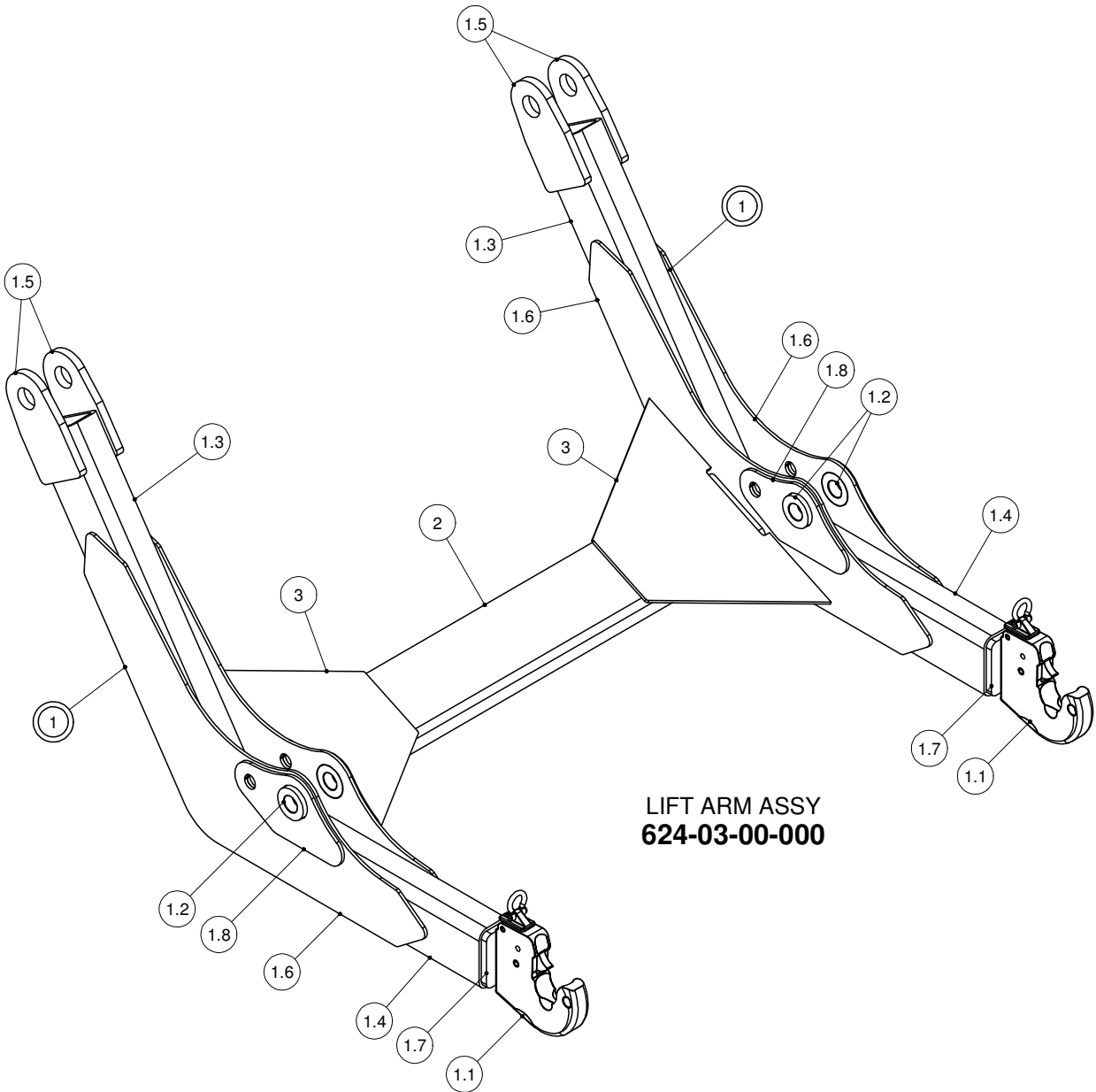
SLIMLINE INJECTOR LIFT KIT



SLIMLINE INJECTOR
LIFT KIT COMPLETE
624-00-00-000

| PARTS LIST | | | | PARTS LIST | | | |
|------------|---------------|-----------------------------|-----|------------|---------------|------------------------------|-----|
| ITEM | PART NUMBER | DESCRIPTION | QTY | ITEM | PART NUMBER | DESCRIPTION | QTY |
| 1 | 624-09-00-000 | LH-INJECTOR TANK MOUNT ASSY | 1 | 7 | 624-07-00-000 | CYL PIN ASSY-126mm | 2 |
| 1.1 | 624-09-00-024 | INJECTOR LUG BACK PLATE | 1 | 8 | 620-01-06-000 | PRESSURE REDUCING HYD KIT | 1 |
| 1.2 | 624-09-00-022 | SILL SIDE PLATE | 1 | 9 | 624-08-00-000 | HITCH PIN ASSY | 2 |
| 1.3 | 624-09-00-023 | PIVOT LUG REINFORCING PLATE | 1 | 10 | 624-00-00-015 | PIVOT SLEEVE | 2 |
| 2 | 624-10-00-000 | RH-INJECTOR TANK MOUNT ASSY | 1 | 11 | 624-00-00-020 | REDUCING MANIFOLD BACK PLATE | 1 |
| 2.1 | 624-09-00-024 | INJECTOR LUG BACK PLATE | 1 | 12 | R10531 | CAT. 3 TOP LINK - SHORT | 2 |
| 2.2 | 624-09-00-022 | SILL SIDE PLATE | 1 | 13 | R23309 | 40TH10 HYD CYL-ORB | 2 |
| 2.3 | 624-09-00-023 | PIVOT LUG REINFORCING PLATE | 1 | 14 | R07667 | 1 x 6 UNC HEX BOLT | 2 |
| 3 | 624-03-00-000 | LIFT ARM ASSY | 1 | 15 | R07828 | 1" FLAT WASHER | 4 |
| 4 | 624-04-00-000 | LIFT BRKT ASSY | 2 | 16 | R08246 | 1 UNC NYLOCK NUT | 2 |
| 4.1 | 620-02-04-018 | 3-PT HITCH LIFT ARM BUSHING | 2 | 17 | R10491 | CAT.3 QD - LOWER LINK BALL | 2 |
| 4.2 | 624-04-00-011 | LIFT BRKT SIDE PLATE | 2 | 18 | R08494 | 7/8" UNF SLANTED U-BOLT GR.8 | 4 |
| 4.3 | 624-04-00-012 | FRONT CLAMP PLATE | 1 | 19 | R07813 | 7/8-14 UNF HEX NUT Gr.8 | 8 |
| 4.4 | 624-04-00-013 | TOP CLAMP PLATE | 1 | 20 | R07809 | 7/8" LOCK WASHER | 8 |
| 4.5 | 624-04-00-014 | CLAMP PLATE GUSSET | 1 | 21 | R08040 | 2 - 18 LYNCH PIN | 8 |
| 4.6 | 624-04-00-019 | TOP LINK SLEEVE | 2 | 22 | R07803 | 3/8" LOCK WASHER | 2 |
| 5 | 624-05-00-000 | TOP LINK PIN ASSY-145mm | 2 | 23 | R07783 | 3/8-16 UNC HEX NUT | 2 |
| 6 | 624-06-00-000 | TOP LINK PIN ASSY-200mm | 2 | 24 | R08050 | 3/8 x 4 1/2 UNC HEX BOLT | 2 |

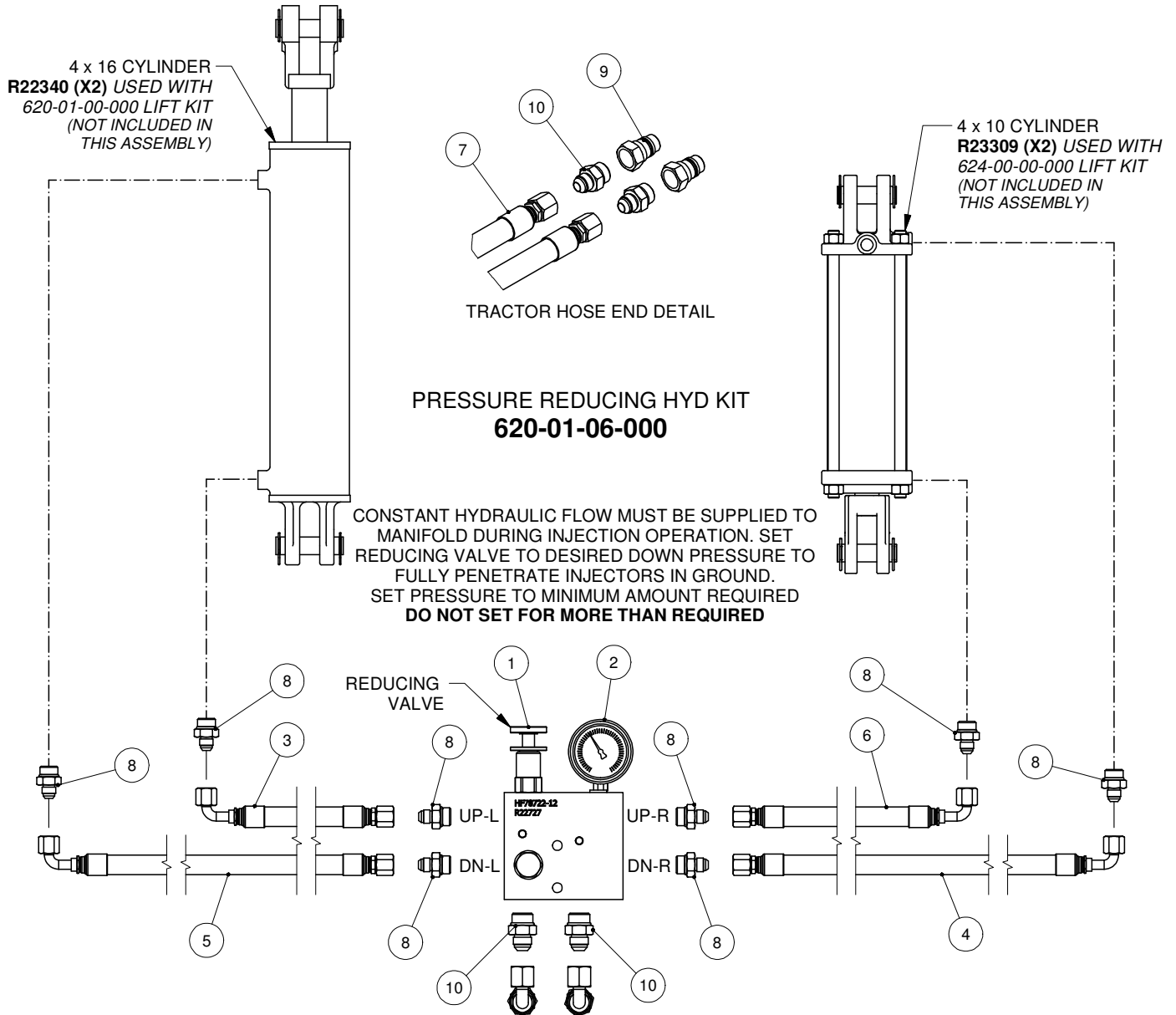
LIFT ARM ASSY



**LIFT ARM ASSY
624-03-00-000**

| PARTS LIST | | | |
|------------|---------------|---------------------------|-----|
| ITEM | PART NUMBER | DESCRIPTION | QTY |
| 1 | 624-03-01-000 | LIFT SIDE ARM ASSY | 2 |
| 1.1 | R10490 | CAT.3 - QD LOWER LINK | 1 |
| 1.2 | 522-01-00-021 | TOP LINK SLEEVE | 2 |
| 1.3 | 624-03-01-003 | LIFT ARM TUBE-LONG | 1 |
| 1.4 | 624-03-01-004 | LIFT ARM TUBE-SHORT | 1 |
| 1.5 | 624-03-01-005 | LIFT ARM PIVOT PLATE | 2 |
| 1.6 | 624-03-01-006 | LIFT ARM SUPPORT GUSSET | 2 |
| 1.7 | 624-03-01-008 | Q.D. BACK PLATE | 1 |
| 1.8 | 624-03-01-007 | REINFORCING SUPPORT PLATE | 2 |
| 2 | 624-03-00-009 | LIFT ARM CROSS TUBE | 1 |
| 3 | 624-03-00-010 | LIFT ARM CROSS GUSSET | 2 |

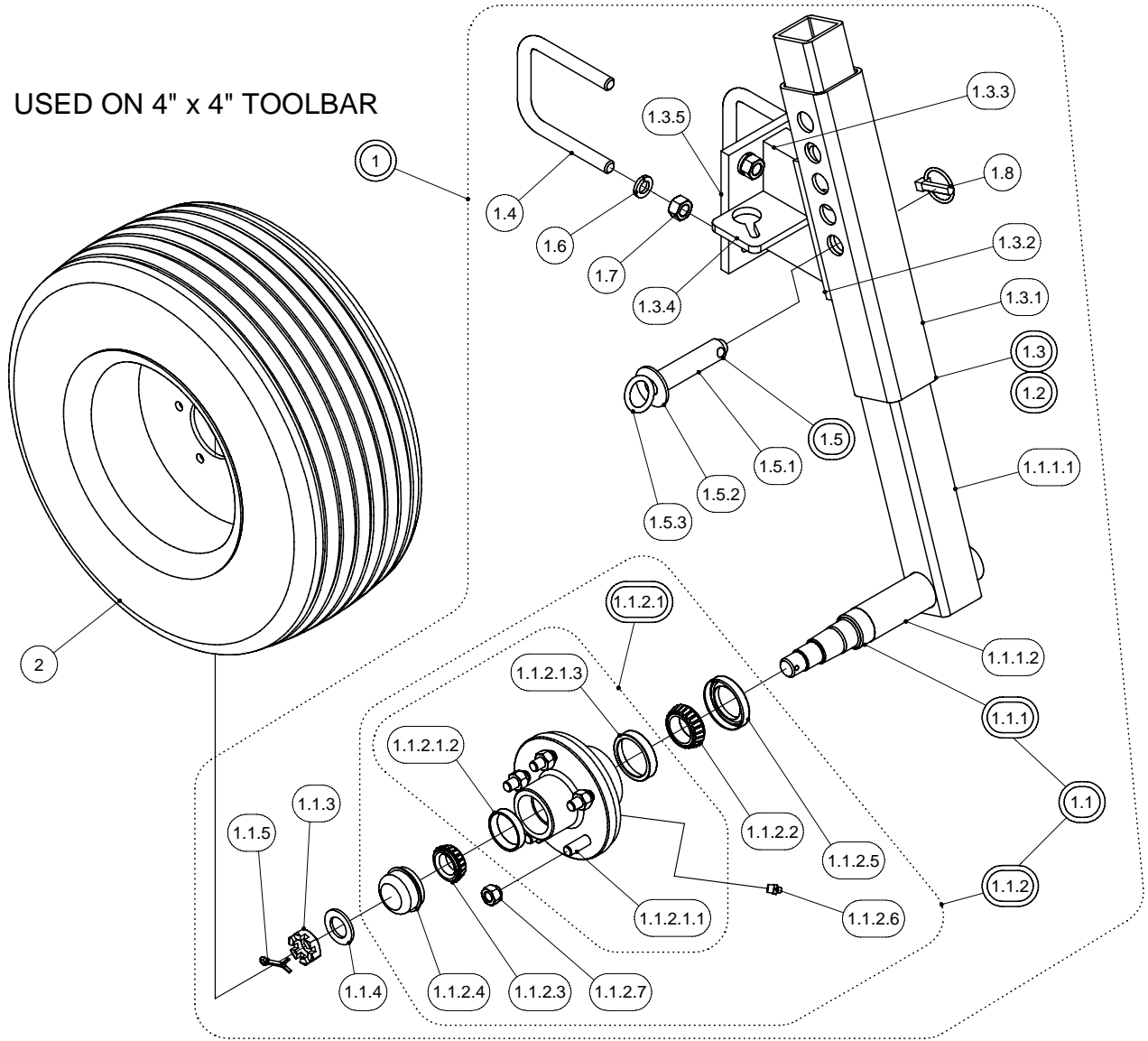
PRESSURE REDUCING HYD KIT



| PARTS LIST | | | |
|------------|---------------|------------------------------------|-----|
| ITEM | PART NUMBER | DESCRIPTION | QTY |
| 1 | R22727 | PRESSURE REDUCING MANIFOLD | 1 |
| 2 | R21250 | 2 1/2" SS PRESSURE GAUGE 2000 PSI | 1 |
| 3 | 620-01-13-000 | MANIFOLD TO CYL HOSE ASSY-LONG | 1 |
| 4 | 620-01-14-000 | MANIFOLD TO CYL HOSE ASSY-LONG | 1 |
| 5 | 620-01-12-000 | MANIFOLD TO CYL HOSE ASSY-SHORT | 1 |
| 6 | 620-01-15-000 | MANIFOLD TO CYL HOSE ASSY-SHORT | 1 |
| 7 | 620-01-11-000 | TRACTOR TO MANIFOLD HOSE ASSY-1/2" | 2 |
| 8 | R23091 | ORB-8 X 3/8" JIC M ADAPTOR | 8 |
| 9 | R23182 | MALE PIONEER TIP-ORB-10 | 2 |
| 10 | R23095 | ORB-10 x 1/2" JIC M ADAPTOR | 4 |

WHEEL DEPTH KIT 4 x 4 TUBE

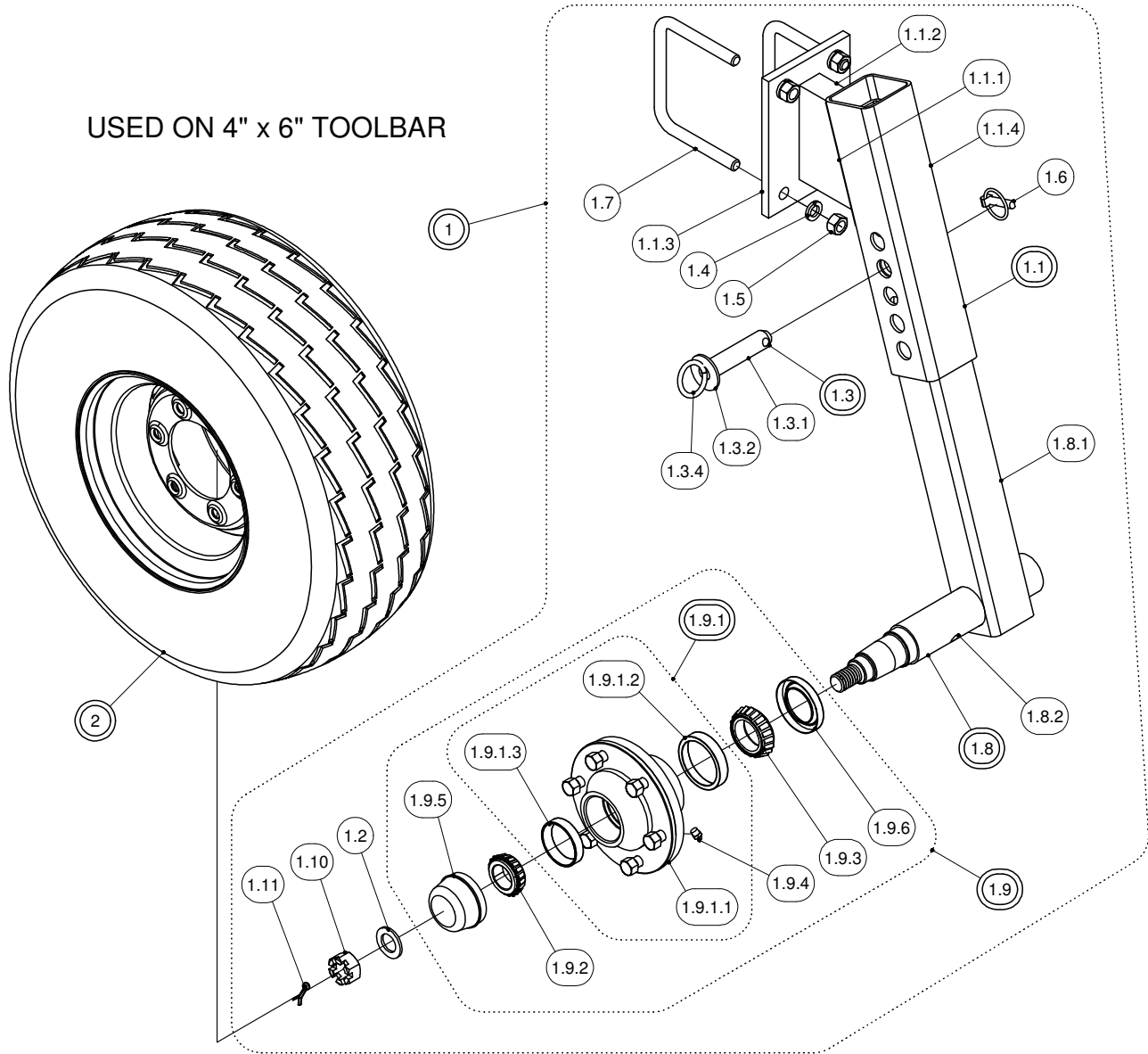
USED ON 4" x 4" TOOLBAR



| PARTS LIST | | | | PARTS LIST | | | |
|------------|---------------|----------------------------------|-----|------------|---------------|---------------------------------------|-----|
| ITEM | PART NUMBER | DESCRIPTION | QTY | ITEM | PART NUMBER | DESCRIPTION | QTY |
| 1 | 308-85-00-000 | ADJUSTABLE WHEEL BRKT KIT | 1 | 1.1.5 | R08011 | 3/16 x 1 1/2 COTTER PIN | 1 |
| 1.1 | 308-85-05-000 | SPINDLE TUBE ASSY w/ HUB | 2 | 1.2 | 308-85-01-000 | RH CLAMP BRKT ASSY (NOT SHOWN IN DWG) | 1 |
| 1.1.1 | 308-85-02-000 | SPINDLE TUBE ASSY | 1 | 1.3 | 308-85-04-000 | LH CLAMP BRKT ASSY | 1 |
| 1.1.1.1 | 308-85-02-244 | SPINDLE TUBE | 1 | 1.3.1 | 308-85-01-243 | STATIONARY ADJUSTMENT TUBE | 1 |
| 1.1.1.2 | R22085 | 1750 SPINDLE 1 3/4 x 12" | 1 | 1.3.2 | 308-85-01-242 | SUPPORT PLATE | 1 |
| 1.1.2 | 301-01-00-000 | 1750 5 BOLT HUB COMPLETE | 1 | 1.3.3 | 308-85-01-241 | EXTENSION BARS | 1 |
| 1.1.2.1 | R22099 | 5 BOLT HUB w/ CUPS & P.I. BOLTS | 1 | 1.3.4 | 308-85-01-251 | CHAIN LOCK BRKT | 1 |
| 1.1.2.1.1 | R22101 | 1/2 - 20 UNF x 2 1/4" WHEEL BOLT | 5 | 1.3.5 | 308-85-01-240 | BACK PLATE | 1 |
| 1.1.2.1.2 | R20132 | OUTER CUP L44610 | 1 | 1.4 | R08181 | 5/8 - 18 UNF U-BOLT x 6" LONG | 4 |
| 1.1.2.1.3 | R22080 | INNER CUP L6811 | 1 | 1.5 | 308-85-03-000 | PIN ASSY | 2 |
| 1.1.2.2 | R22081 | INNER CONE - L68149 | 1 | 1.5.1 | 308-85-03-245 | PIN | 1 |
| 1.1.2.3 | R22082 | OUTER CONE - L44649 | 1 | 1.5.2 | R07827 | 3/4" FLAT WASHER | 1 |
| 1.1.2.4 | R22083 | D-1000 DUST CAP | 1 | 1.5.3 | R07925 | 1/4 x 1 1/2 PLATED RING | 1 |
| 1.1.2.5 | R22084 | CR-17415 SEAL | 1 | 1.6 | R07806 | 5/8 LOCK WASHER | 8 |
| 1.1.2.6 | R08186 | 1/8" NPT GREASE FTG | 1 | 1.7 | R07816 | 5/8" UNF HEX NUT | 8 |
| 1.1.2.7 | R22100 | 1/2 - 20 UNF CONE WHEEL NUT | 5 | 1.8 | R08040 | 2 - 18 LYNCH PIN | 2 |
| 1.1.3 | R20136 | SPINDLE NUT | 1 | 2 | 308-84-00-000 | 20.5/8.0 TIRE & WHEEL ASSY | 2 |
| 1.1.4 | R20154 | SPINDLE WASHER | 1 | | | | |

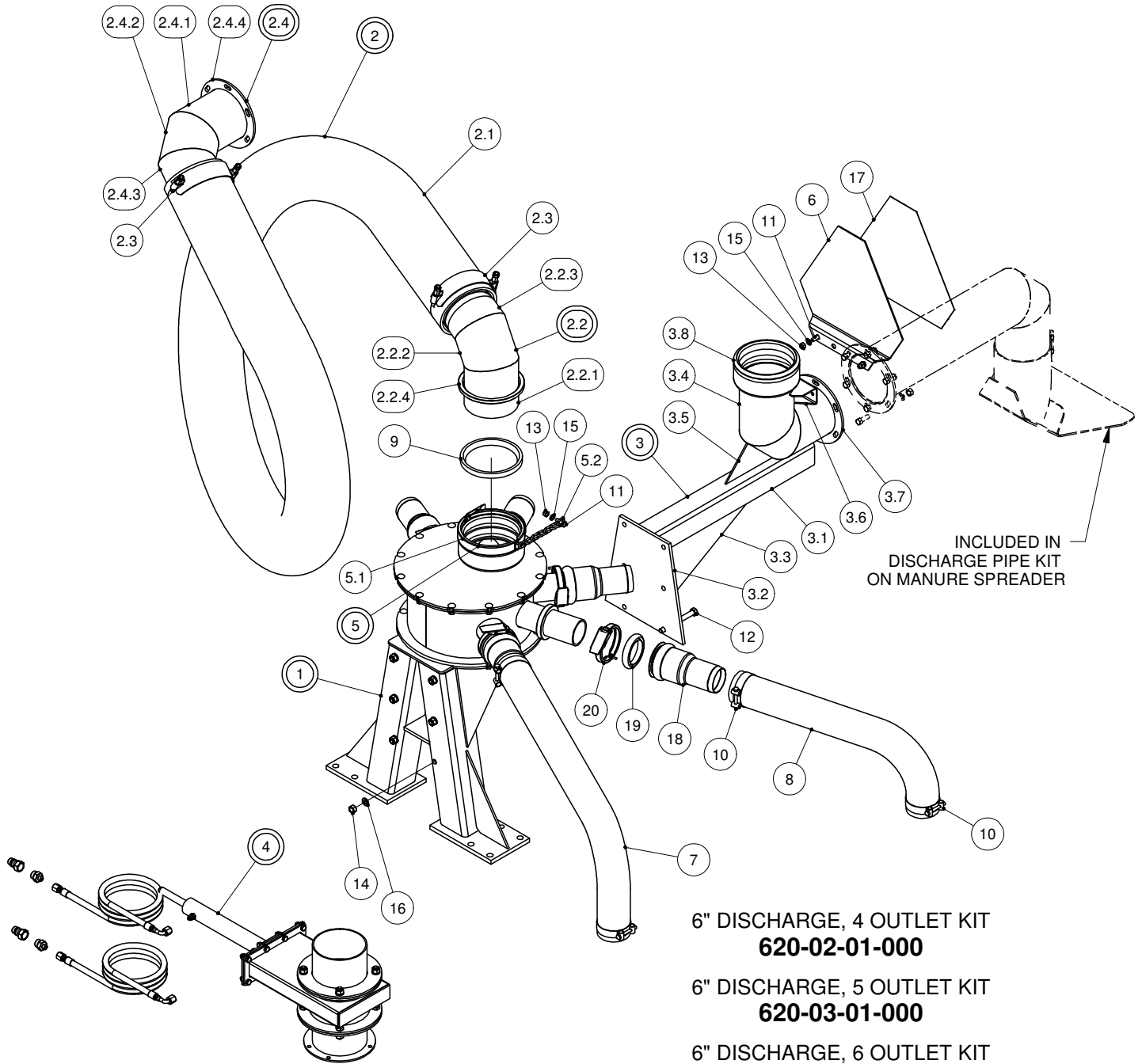
WHEEL DEPTH KIT - 4 x 6 TUBE

USED ON 4" x 6" TOOLBAR



| PARTS LIST | | | | PARTS LIST | | | |
|------------|---------------|-------------------------------------|-----|------------|---------------|----------------------------|-----|
| ITEM | PART NUMBER | DESCRIPTION | QTY | ITEM | PART NUMBER | DESCRIPTION | QTY |
| 1 | 620-02-05-000 | XHD WHEEL KIT - 4"x6" TUBE | 1 | 1.8.1 | 620-02-06-023 | XHD SPINDLE TUBE | 1 |
| 1.1 | 620-02-08-000 | XHD CLAMP BRKT ASSY - 4"x6" TUBE | 1 | 1.8.2 | 490-16-00-082 | LOWER SPINDLE | 1 |
| 1.1.1 | 308-85-01-242 | SUPPORT PLATE | 1 | 1.9 | 290-59-00-000 | 5000LB - 6 BOLT HUB ASSY | 1 |
| 1.1.2 | 308-85-01-241 | EXTENSION BARS | 1 | 1.9.1 | R22055 | 5000LB HUB w/ CUPS | 1 |
| 1.1.3 | 620-02-03-015 | BACK PLATE | 1 | 1.9.1.1 | R22054 | 5000LB HUB - 6 BOLT | 1 |
| 1.1.4 | 620-02-07-025 | XHD SOLID ADJUSTMENT TUBE | 1 | 1.9.1.2 | R22058 | INNER CUP LM603011 | 1 |
| 1.2 | R20154 | SPINDLE WASHER | 1 | 1.9.1.3 | R22060 | OUTER CUP LM48510 | 1 |
| 1.3 | 308-85-03-000 | PIN ASSY | 1 | 1.9.2 | R22061 | OUTER CONE LM48548 | 1 |
| 1.3.1 | 308-85-03-245 | PIN | 1 | 1.9.3 | R22059 | INNER CONE LM603049 | 1 |
| 1.3.2 | R07827 | 3/4" FLAT WASHER | 1 | 1.9.4 | R08186 | 1/8" NPT GREASE FTG | 1 |
| 1.3.4 | 250-00-00-354 | 1/4 X 1 1/2" RING | 1 | 1.9.5 | R22062 | DUST CAP | 1 |
| 1.4 | R07806 | 5/8" LOCK WASHER | 4 | 1.9.6 | R22063 | SEAL CR2004 | 1 |
| 1.5 | R07816 | 5/8-18 UNF HEX NUT | 4 | 1.9.7 | R20110 | 9/16 UNF WHEEL BOLT | 6 |
| 1.6 | R08040 | 2 - 18 LYNCH PIN | 1 | 1.10 | R20117 | SPINDLE NUT | 1 |
| 1.7 | R08453 | 5/8 - 18 UNF x 6" ID x 5.375 U BOLT | 2 | 1.11 | R08015 | 3/16 x 2 COTTER PIN | 1 |
| 1.8 | 620-02-06-000 | XHD SPINDLE AND SLEEVE ASSY | 1 | 2 | 620-19-00-000 | 25.5/8.0 TIRE & WHEEL ASSY | 1 |

6" DISTRIBUTOR



6" DISCHARGE, 4 OUTLET KIT
620-02-01-000

6" DISCHARGE, 5 OUTLET KIT
620-03-01-000

6" DISCHARGE, 6 OUTLET KIT
620-04-01-000

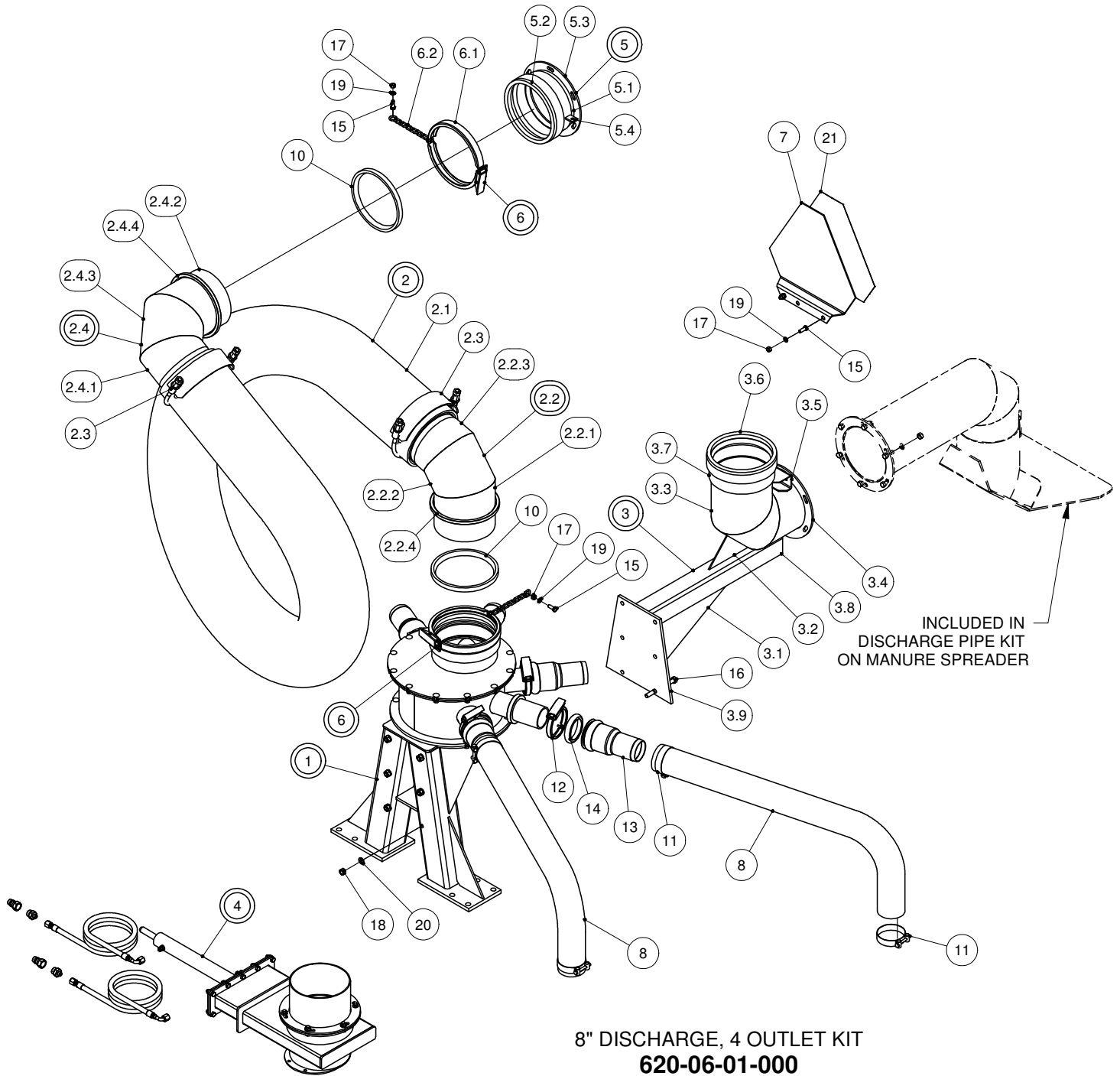
6" DISCHARGE, 7 OUTLET KIT
620-05-01-000

6" DISTRIBUTOR

| PARTS LIST | | | | PARTS LIST | | | |
|------------|---------------|--------------------------------|-----|------------|---------------|-------------------------------|--------|
| ITEM | PART NUMBER | DESCRIPTION | QTY | ITEM | PART NUMBER | DESCRIPTION | QTY |
| 1 | 620-11-00-000 | 4 OUTLET CANNISTER KIT-6" | 1 | 3.6 | 308-77-00-226 | S.M.V. SIGN HOLDER | 1 |
| 1 | 620-12-00-000 | 5 OUTLET CANNISTER KIT-6" | 1 | 3.7 | 364-19-00-087 | DISCHARGE PIPE FLANGE | 1 |
| 1 | 620-13-00-000 | 6 OUTLET CANNISTER KIT-6" | 1 | 3.8 | 200-58-00-242 | 6" COUPLING BASE TUBE | 1 |
| 1 | 620-14-00-000 | 7 OUTLET CANNISTER KIT-6" | 1 | 4 | 308-46-00-000 | 6" VALVE W/ INDICATOR ROD KIT | 1 |
| 2 | 620-02-09-000 | 6" DISCHARGE HOSE KIT W/ELBOWS | 1 | 5 | 250-97-00-000 | CLAMP & CHAIN ASSY | 1 |
| 2.1 | 308-00-00-150 | 6" DISCHARGE HOSE | 1 | 5.1 | R02487 | 6" RING LOCK CLAMP | 1 |
| 2.2 | 308-60-00-000 | 6" ELBOW AND RING ASSY | 1 | 5.2 | 250-97-00-297 | CLAMP CHAIN | 1 |
| 2.2.1 | 308-60-00-172 | ELBOW BASE PC | 1 | 6 | 200-00-00-132 | S.M.V. SIGN HOLDER | 1 |
| 2.2.2 | 308-60-00-173 | ELBOW MIDDLE PC | 1 | 7 | 308-00-00-148 | LONG INJECTOR HOSE | 3 or 4 |
| 2.2.3 | 308-60-00-174 | BARBED ELBOW END | 1 | 8 | 308-00-00-149 | SHORT INJECTOR HOSE | 2 or 3 |
| 2.2.4 | 250-95-00-295 | CLAMP RING | 1 | 9 | R02366 | 6" RUBBER GASKET | 2 |
| 2.3 | R02843 | 6" SPIRAL CLAMP | 2 | 10 | R02480 | 3" BAUER SUPER CLAMP | 10** |
| 2.4 | 308-61-00-000 | 6" TOP ELBOW AND FLANGE ASSY | 1 | 11 | R07619 | 3/8 x 1 UNC HEX BOLT | 3 |
| 2.4.1 | 308-60-00-172 | ELBOW BASE PC | 1 | 12 | R07644 | 1/2 x 5 HEX BOLT | 6 |
| 2.4.2 | 308-60-00-173 | ELBOW MIDDLE PC | 1 | 13 | R07783 | 3/8-16 UNC HEX NUT | 3 |
| 2.4.3 | 308-60-00-174 | BARBED ELBOW END | 1 | 14 | R07785 | 1/2 HEX NUT | 6 |
| 2.4.4 | 364-19-00-087 | DISCHARGE PIPE FLANGE | 1 | 15 | R07803 | 3/8" LOCK WASHER | 3 |
| 3 | 308-77-00-000 | 6" DISCHARGE EXT. TUBE ASSY | 1 | 16 | R07805 | 1/2 LOCK WASHER | 6 |
| 3.1 | 308-77-00-224 | SUPPORT TUBE | 1 | 17 | R09501 | SLOW MOVING VEHICLE DECAL | 1 |
| 3.2 | 308-62-02-184 | BACK PLATE BRKT | 1 | 18 | R02877 | 3" FEMALE CIRLOC STD COUPLING | 5* |
| 3.3 | 308-54-00-155 | SUPPORT TUBE GUSSET | 1 | 19 | R02880 | 3" CL GASKET | 5* |
| 3.4 | 308-77-00-225 | DISCHARGE PIPE | 1 | 20 | R02875 | 3" RING LOCK CLAMP | 5* |
| 3.5 | 308-77-00-227 | GUSSET | 1 | | | | |

* QTY FOR 4 OUTLET = 4 PCS
 QTY FOR 5 OUTLET = 5 PCS
 QTY FOR 6 OUTLET = 6 PCS
 QTY FOR 7 OUTLET = 7 PCS
 ** QTY FOR 4 OUTLET = 8 PCS
 QTY FOR 5 OUTLET = 10 PCS
 QTY FOR 6 OUTLET = 12 PCS
 QTY FOR 7 OUTLET = 14 PCS

8" DISTRIBUTOR



INCLUDED IN
DISCHARGE PIPE KIT
ON MANURE SPREADER

- 8" DISCHARGE, 4 OUTLET KIT
620-06-01-000
- 8" DISCHARGE, 5 OUTLET KIT
620-07-01-000
- 8" DISCHARGE, 6 OUTLET KIT
620-08-01-000
- 8" DISCHARGE, 7 OUTLET KIT
620-09-01-000

8" DISTRIBUTOR

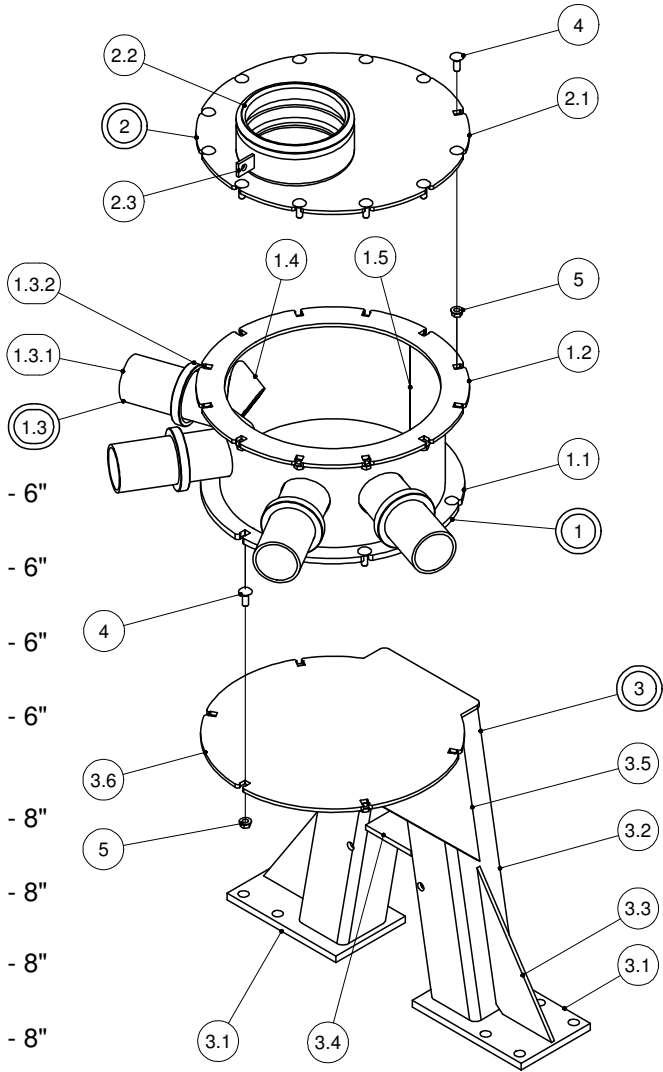
| PARTS LIST | | | | PARTS LIST | | | |
|------------|-----------------|--------------------------------|-----|------------|---------------|---|--------|
| ITEM | PART NUMBER | DESCRIPTION | QTY | ITEM | PART NUMBER | DESCRIPTION | QTY |
| 1 | 620-15-00-000 | 4 OUTLET CANNISTER KIT-8" | 1 | 3.9 | 308-62-02-184 | BACK PLATE BRKT | 1 |
| 1 | 620-16-00-000 | 5 OUTLET CANNISTER KIT-8" | 1 | 4 | 308-86-00-000 | 8" VALVE KIT w/ INDICATOR ROD & HYD HOSES | 1 |
| 1 | 620-17-00-000 | 6 OUTLET CANNISTER KIT-8" | 1 | | | | |
| 1 | 620-18-00-000 | 7 OUTLET CANNISTER KIT-8" | 1 | 5 | 308-65-00-000 | 8" COUPLING BASE ASSY-TOP DISCH PIPE | 1 |
| 2 | 620-06-02-000 | 8" DISCHARGE HOSE KIT w/ELBOWS | 1 | | | | |
| 2.1 | 308-00-00-196 | 8" DISCHARGE HOSE | 1 | 5.1 | 308-65-00-191 | 8" EXTENSION-TOP DISCHARGE | 1 |
| 2.2 | 308-67-00-000 | 8" COUPLING ELBOW ASSY-BOTTOM | 1 | 5.2 | 244-07-01-306 | COUPLING BASE | 1 |
| 2.2.1 | 308-67-00-195-A | BOTTOM COUPLING ELBOW PC | 1 | 5.3 | 358-92-02-306 | 8" DISCHARGE FLANGE | 1 |
| 2.2.2 | 308-67-00-195-B | BOTTOM COUPLING ELBOW PC | 1 | 5.4 | 250-96-00-298 | CHAIN LUG | 1 |
| 2.2.3 | 308-67-00-194 | BARBED ELBOW END | 1 | 6 | 244-09-00-000 | 8" CLAMP & CHAIN ASSY | 2 |
| 2.2.4 | 244-08-00-307 | CLAMP RING | 1 | 6.1 | R02488 | 8" RINGLOCK CLAMP | 1 |
| 2.3 | R02844 | 8" SPIRAL CLAMP | 2 | 6.2 | 250-97-00-297 | CLAMP CHAIN | 1 |
| 2.4 | 308-66-00-000 | 8" COUPLING ELBOW ASSY-TOP | 1 | 7 | 200-00-00-132 | S.M.V. SIGN HOLDER | 1 |
| 2.4.1 | 308-66-00-192 | 8" BARBED ELBOW END | 1 | 8 | 308-00-00-148 | LONG INJECTOR HOSE | 3 or 4 |
| 2.4.2 | 308-66-00-193-A | TOP COUPLING ELBOW PC | 1 | 9 | 308-00-00-149 | SHORT INJECTOR HOSE | 2 or 3 |
| 2.4.3 | 308-66-00-193-B | TOP COUPLING ELBOW PC | 1 | 10 | R02360 | 8" SQ HUSKY GASKET | 3 |
| 2.4.4 | 244-08-00-307 | CLAMP RING | 1 | 11 | R02480 | 3" BAUER SUPER CLAMP | 10** |
| 3 | 308-82-00-000 | 8" DISCHARGE EXT. TUBE ASSY | 1 | 12 | R02875 | 3" RING LOCK CLAMP | 5* |
| 3.1 | 308-54-00-155 | SUPPORT TUBE GUSSET | 1 | 13 | R02877 | 3" FEMALE CIRLOC STD COUPLING | 5* |
| 3.2 | 308-77-00-227 | GUSSET | 1 | 14 | R02880 | 3" CL GASKET | 5* |
| 3.3 | 308-82-00-230 | DISCHARGE PIPE | 1 | 15 | R07619 | 3/8 x 1 UNC HEX BOLT | 4 |
| 3.4 | 358-92-02-306 | 8" DISCHARGE FLANGE | 1 | 16 | R07644 | 1/2 x 5 HEX BOLT | 6 |
| 3.5 | 308-82-00-231 | SMV SIGN HOLDER-8" PIPE | 1 | 17 | R07783 | 3/8-16 UNC HEX NUT | 4 |
| 3.6 | 244-07-01-306 | COUPLING BASE | 1 | 18 | R07785 | 1/2 HEX NUT | 6 |
| 3.7 | 308-63-01-189 | 8" EXTENSION PIPE | 1 | 19 | R07803 | 3/8" LOCK WASHER | 4 |
| 3.8 | 308-77-00-224 | SUPPORT TUBE | 1 | 20 | R07805 | 1/2 LOCK WASHER | 6 |
| | | | | 21 | R09501 | SLOW MOVING VEHICLE DECAL | 1 |

* QTY FOR 4 OUTLET = 4 PCS
 QTY FOR 5 OUTLET = 5 PCS
 QTY FOR 6 OUTLET = 6 PCS
 QTY FOR 7 OUTLET = 7 PCS

** QTY FOR 4 OUTLET = 8 PCS
 QTY FOR 5 OUTLET = 10 PCS
 QTY FOR 6 OUTLET = 12 PCS
 QTY FOR 7 OUTLET = 14 PCS

CANNISTER KIT

- 4 OUTLET CANNISTER KIT - 6"
620-11-00-000
- 5 OUTLET CANNISTER KIT - 6"
620-12-00-000
- 6 OUTLET CANNISTER KIT - 6"
620-13-00-000
- 7 OUTLET CANNISTER KIT - 6"
620-14-00-000
- 4 OUTLET CANNISTER KIT - 8"
620-15-00-000
- 5 OUTLET CANNISTER KIT - 8"
620-16-00-000
- 6 OUTLET CANNISTER KIT - 8"
620-17-00-000
- 7 OUTLET CANNISTER KIT - 8"
620-18-00-000

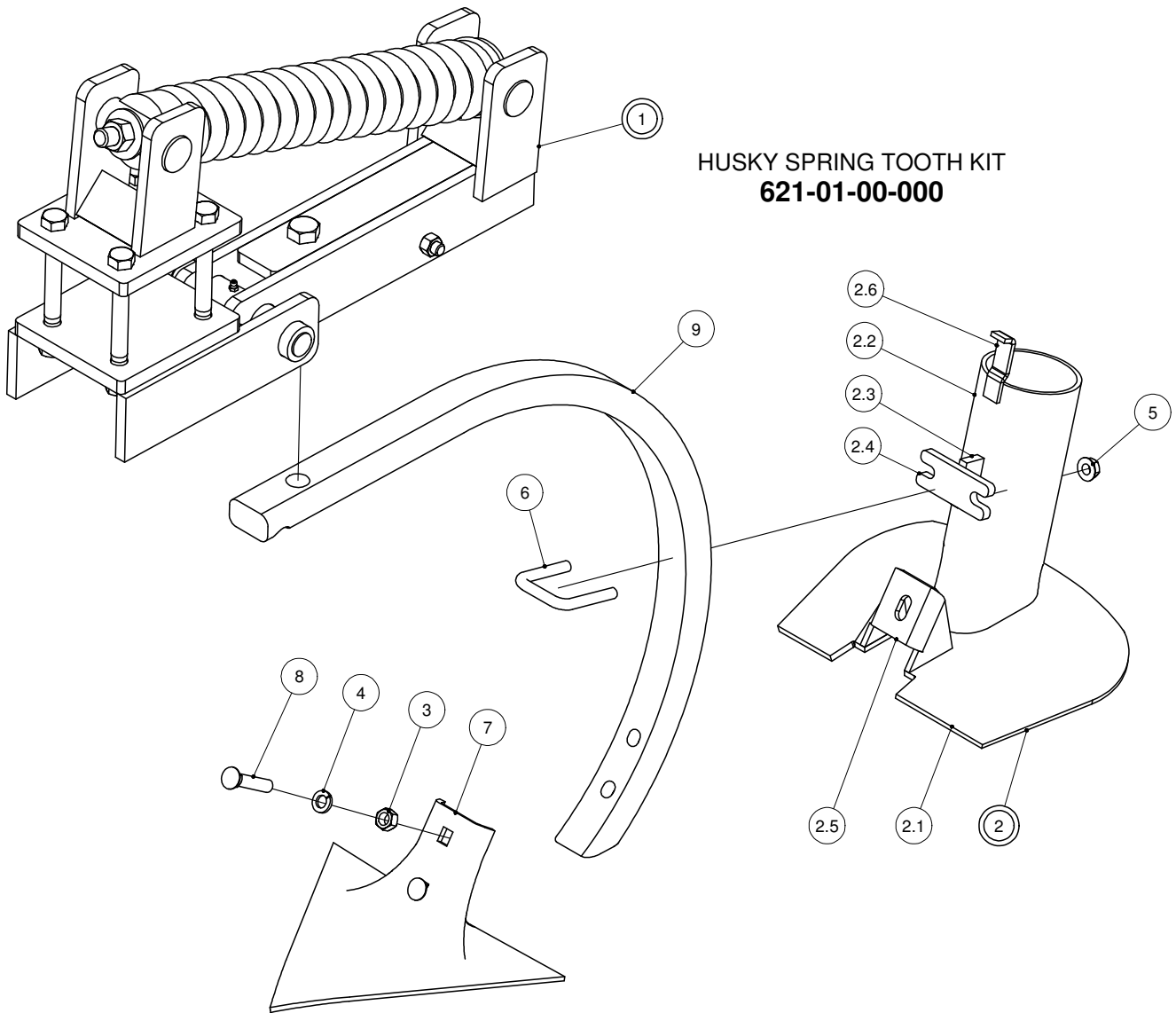


| PARTS LIST | | | | PARTS LIST | | | |
|------------|---------------|-------------------------|-----|------------|---------------|---------------------------|-----|
| ITEM | PART NUMBER | DESCRIPTION | QTY | ITEM | PART NUMBER | DESCRIPTION | QTY |
| 1 | 620-11-01-000 | 4 OUTLET CANNISTER ASSY | 1 | 2.1 | 308-62-03-176 | TOP COVER - 6" | 1 |
| | 620-12-01-000 | 5 OUTLET CANNISTER ASSY | 1 | | 308-63-03-188 | TOP COVER - 8" | 1 |
| | 620-13-01-000 | 6 OUTLET CANNISTER ASSY | 1 | 2.2 | 200-58-00-242 | 6" COUPLING BASE TUBE | 1 |
| | 620-14-01-000 | 7 OUTLET CANNISTER ASSY | 1 | | 244-07-01-306 | 8" COUPLING BASE TUBE | 1 |
| 1.1 | 308-62-01-177 | CANNISTER BOTTOM | 1 | | 308-63-01-189 | | |
| 1.2 | 308-62-01-197 | FLANGE | 1 | 2.3 | 250-96-00-298 | CHAIN LUG | 1 |
| 1.3 | 620-12-02-000 | OUTLET TUBE & RING ASSY | 4* | 3 | 308-62-02-000 | DOUBLE LEG STAND | 1 |
| 1.3.1 | 620-12-02-034 | CANNISTER OUTLET TUBE | 1 | 3.1 | 308-62-02-185 | UPPER CLAMP PLATE | 2 |
| 1.3.2 | 620-12-02-035 | 3" CLAMP RING | 1 | 3.2 | 308-62-02-183 | CANNISTER LEG | 2 |
| 1.4 | 620-12-01-037 | CANNISTER TUBE COVER | 4* | 3.3 | 308-62-02-187 | GUSSET | 2 |
| | 620-11-01-038 | 4 OUTLET CANNISTER | 1 | 3.4 | 308-62-02-200 | BRACE PLATE | 1 |
| | 620-12-01-036 | 5 OUTLET CANNISTER | 1 | 3.5 | 308-62-02-208 | GUSSET | 2 |
| | 620-13-01-039 | 6 OUTLET CANNISTER | 1 | 3.6 | 308-62-02-207 | LEG STAND TOP PC | 1 |
| | 620-14-01-040 | 7 OUTLET CANNISTER | 1 | 4 | R07721 | 3/8 x 1 UNC CARRIAGE BOLT | 17 |
| 2 | 308-62-03-000 | 6" INLET ASSY | 1 | 5 | R07794 | 3/8-16 UNC FLANGE NUT | 17 |
| | 308-63-03-000 | 8" INLET ASSY | 1 | | | | |

* QTY FOR 4 OUTLET - 4 PCS
 QTY FOR 5 OUTLET - 5 PCS
 QTY FOR 6 OUTLET - 6 PCS
 QTY FOR 7 OUTLET - 7 PCS

This Page is Intentionally Left Blank

HUSKY SPRING TOOTH KIT



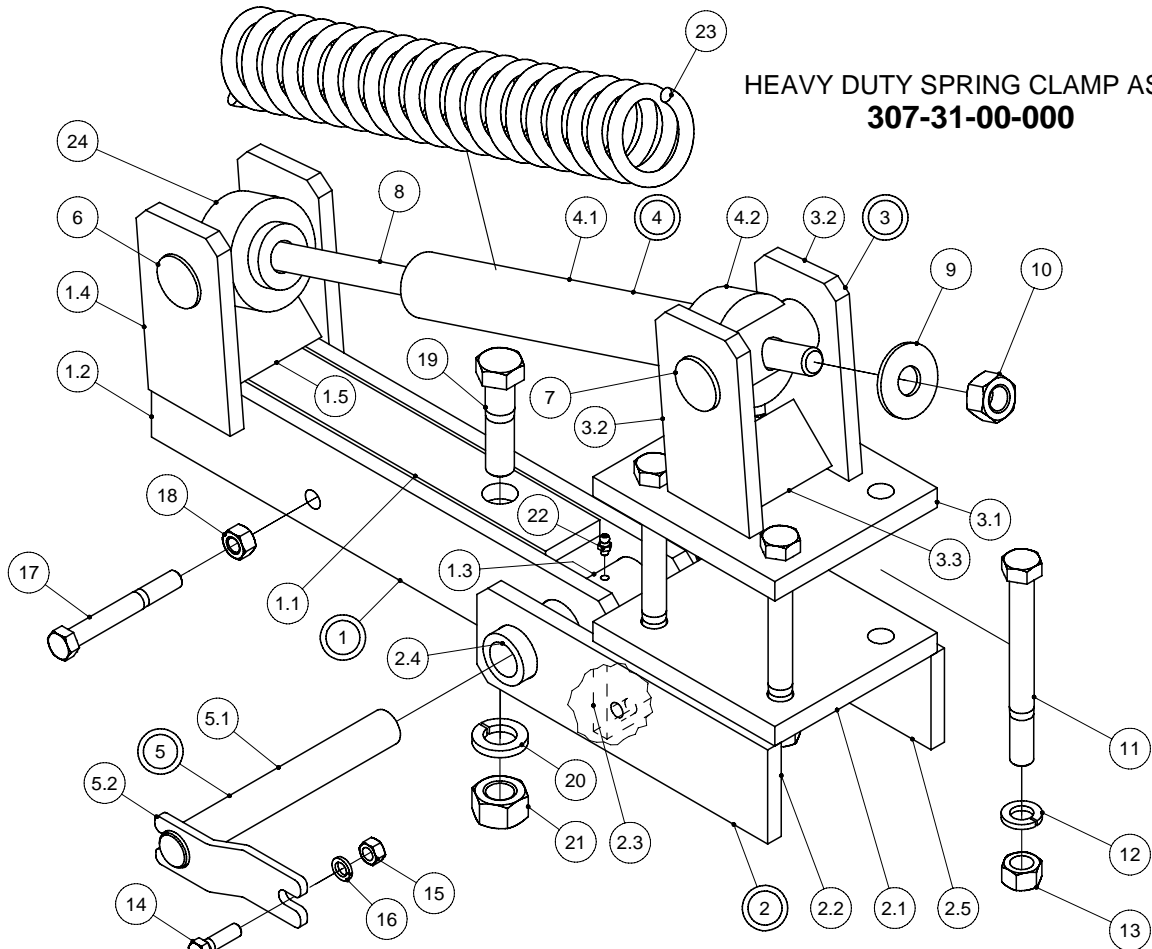
HUSKY SPRING TOOTH KIT
621-01-00-000

PARTS LIST

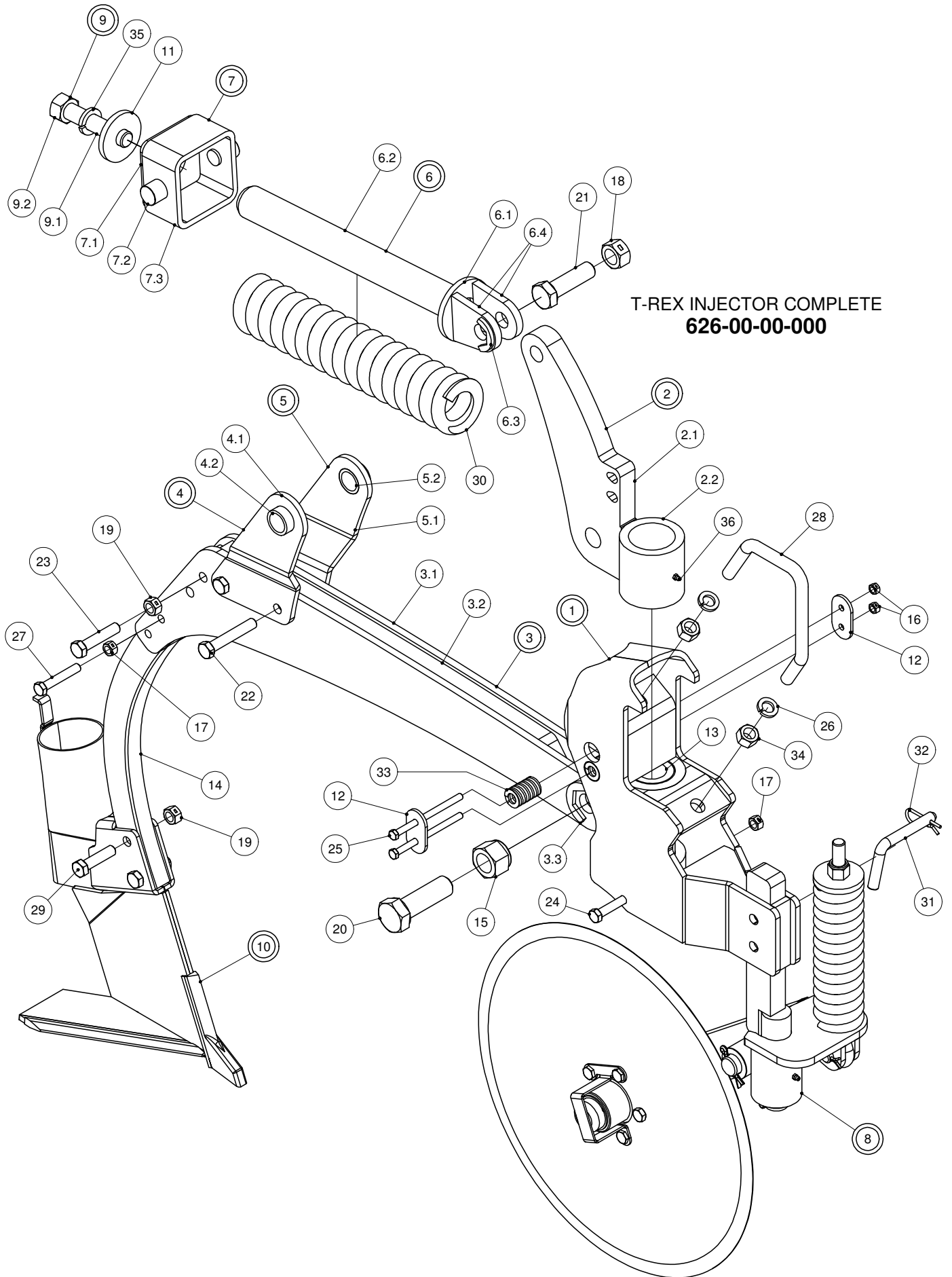
| ITEM | PART NUMBER | DESCRIPTION | QTY |
|------|---------------|---|-----|
| 1 | 307-31-00-000 | H.D. SPRING CLAMP ASSY | 1 |
| 2 | 308-83-00-000 | SWEEP COVER UP ASSY | 1 |
| 2.1 | 308-83-00-234 | SWEEP COVER UP | 1 |
| 2.2 | 308-83-00-235 | HOSE TUBE | 1 |
| 2.3 | 308-83-00-236 | LUG | 1 |
| 2.4 | 308-83-00-237 | BOLT PLATE | 1 |
| 2.5 | 308-83-00-238 | TOOTH CONNECTOR PLATE | 1 |
| 2.6 | 626-10-00-045 | HOSE CLAMP CLIP | 1 |
| 3 | R07785 | 1/2 HEX NUT | 2 |
| 4 | R07805 | 1/2 LOCK WASHER | 2 |
| 5 | R07879 | 7/16-14 UNC FLANGE NUT | 2 |
| 6 | R08214 | 7/16"-14UNC X 2 1/8"ID X 2 3/4" LONG LEGS | 1 |
| 7 | R09553 | 12" CHISEL SWEEP | 1 |
| 8 | R09561 | 1/2 -13 UNC x 2 1/2" PLOW BOLT | 2 |
| 9 | R09563 | 1 1/4 x 2 SPRING TOOTH | 1 |

HEAVY DUTY SPRING CLAMP

| PARTS LIST | | | | PARTS LIST | | | |
|------------|---------------|-----------------------|-----|------------|---------------|-----------------------------------|-----|
| ITEM | PART NUMBER | DESCRIPTION | QTY | ITEM | PART NUMBER | DESCRIPTION | QTY |
| 1 | 307-31-10-000 | LOWER BRKT ASSY | 1 | 5.2 | 307-31-31-133 | PIVOT SHAFT BRKT | 1 |
| 1.1 | 307-31-10-075 | LOWER BRKT SPACER BAR | 1 | 6 | 307-31-00-083 | LOWER CROSS PIN | 1 |
| 1.2 | 307-31-10-073 | LOWER BRKT | 2 | 7 | 307-31-00-082 | UPPER CROSS PIN | 1 |
| 1.3 | 307-31-10-074 | INNER BUSHING | 1 | 8 | 307-31-00-080 | SPRING SHAFT | 1 |
| 1.4 | 307-31-10-076 | SPRING PIN BRKT | 2 | 9 | R07827 | 3/4" FLAT WASHER | 1 |
| 1.5 | 307-31-10-077 | ANGLE SUPPORT | 1 | 10 | R07881 | 3/4 - 2 WAY LOCK NUT | 1 |
| 2 | 307-31-09-000 | MAIN BRKT ASSY | 1 | 11 | R07653 | 5/8 x 6 HEX BOLT | 4 |
| 2.1 | 307-31-09-070 | BOLT PLATE | 1 | 12 | R07806 | 5/8 LOCK WASHER | 4 |
| 2.2 | 307-31-09-134 | MAIN BRKT w/ HOLE | 1 | 13 | R07786 | 5/8 HEX NUT | 4 |
| 2.3 | 307-31-09-071 | SPACER BAR | 1 | 14 | R07675 | 3/8 x 1 1/4" HEX BOLT | 1 |
| 2.4 | 307-31-09-072 | OUTER BUSHING | 2 | 15 | R07783 | 3/8 HEX NUT | 1 |
| 2.5 | 307-31-09-069 | MAIN BRKT | 1 | 16 | R07803 | 3/8 LOCK WASHER | 1 |
| 3 | 307-31-11-000 | BOLT PLATE ASSY | 1 | 17 | R07643 | 1/2 x 4 HEX BOLT | 1 |
| 3.1 | 307-31-09-070 | BOLT PLATE | 1 | 18 | R07885 | 1/2 - 2 WAY LOCK NUT | 1 |
| 3.2 | 307-31-10-076 | SPRING PIN BRKT | 2 | 19 | R07691 | 7/8 x 3 HEX BOLT | 1 |
| 3.3 | 307-31-10-077 | ANGLE SUPPORT | 1 | 20 | R07809 | 7/8" LOCK WASHER | 1 |
| 4 | 307-31-12-000 | SHAFT GUIDE ASSY | 1 | 21 | R07789 | 7/8" HEX NUT | 1 |
| 4.1 | 307-31-12-079 | SPRING SHAFT GUIDE | 1 | 22 | R08183 | 1/4" - 28 STRAIGHT GREASE FITTING | 1 |
| 4.2 | 307-31-12-078 | SPRING HOLDER BLOCK | 1 | 23 | R08029 | SPRING | 1 |
| 5 | 307-31-31-000 | PIVOT SHAFT ASSY | 1 | 24 | 307-31-12-078 | SPRING HOLDER BLOCK | 1 |
| 5.1 | 307-31-31-132 | PIVOT SHAFT | 1 | | | | |



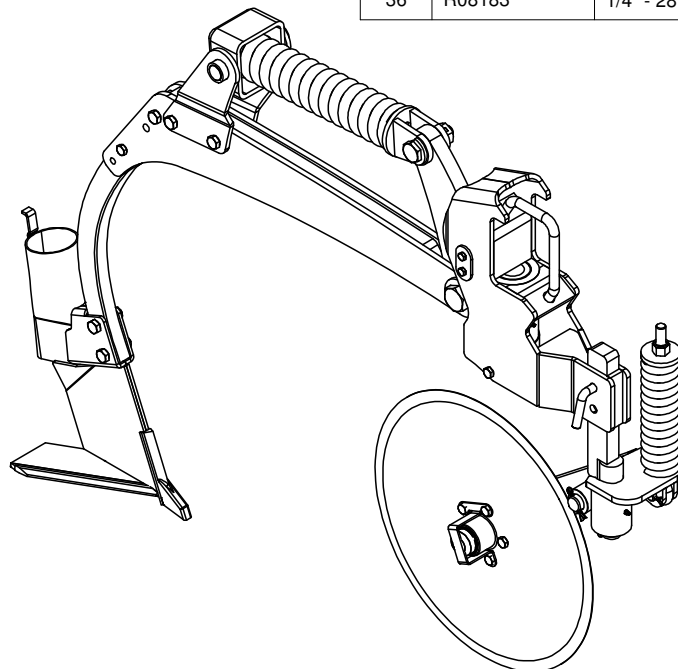
T-REX INJECTOR COMPLETE



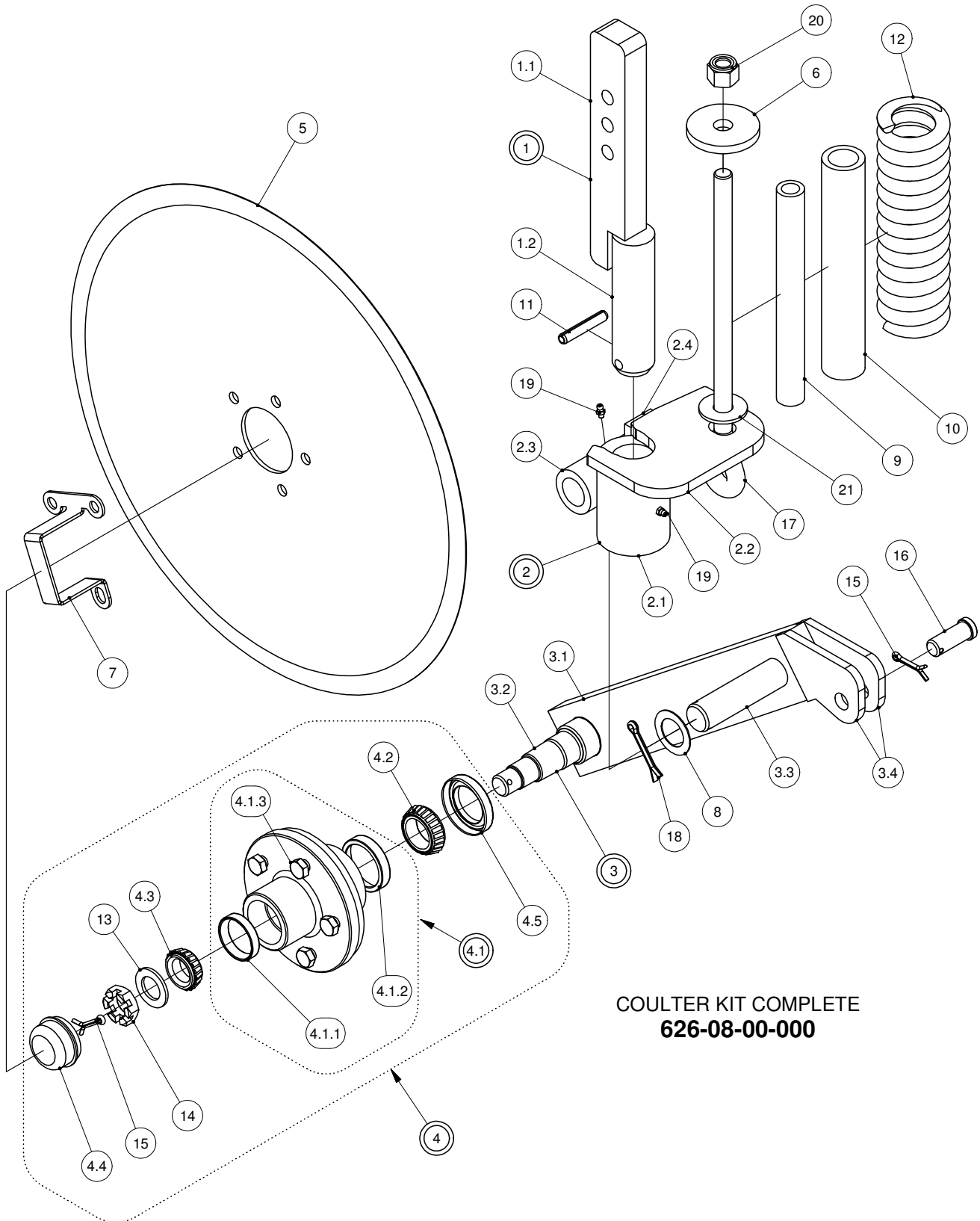
T-REX INJECTOR COMPLETE
626-00-00-000

T-REX INJECTOR COMPLETE

| PARTS LIST | | | | PARTS LIST | | | |
|------------|---------------|----------------------------|-----|------------|---------------|--|-----|
| ITEM | PART NUMBER | DESCRIPTION | QTY | ITEM | PART NUMBER | DESCRIPTION | QTY |
| 1 | 626-01-00-000 | MAIN FRAME ASSY | 1 | 10 | 626-10-00-000 | 12" SWEEP COMPLETE | 1 |
| 2 | 626-02-00-000 | MAIN PIVOT ASSY | 1 | 11 | 626-00-00-034 | SPRING PLATE-REAR | 1 |
| 2.1 | 626-02-00-009 | PIVOT LUG | 1 | 12 | 626-00-00-035 | SPRING RETENTION PLATE | 2 |
| 2.2 | 626-02-00-010 | PIVOT TUBE | 1 | 13 | 626-00-00-037 | MAIN PIVOT PIN | 1 |
| 3 | 626-03-00-000 | SHANK EXTENSION ASSY | 1 | 14 | R09543 | PARABOLIC SHANK | 1 |
| 3.1 | 626-03-00-011 | SHANK PIVOT SIDE PLATE | 2 | 15 | R07855 | 1 1/4 UNC NYLOCK NUT | 1 |
| 3.2 | 626-03-00-012 | SHANK PIVOT SPACER BAR | 1 | 16 | R07886 | 3/8-16 UNC 2-WAY LOCK NUT | 2 |
| 3.3 | 626-03-00-013 | ANTI-ROTATE PLATE 1-1/4" | 1 | 17 | R07885 | 1/2-13 UNC 2-WAY LOCK NUT | 2 |
| 4 | 626-04-00-000 | RH SPRING PIVOT ASSY | 1 | 18 | R07882 | 1-8 UNC 2-WAY LOCK NUT | 1 |
| 4.1 | 626-04-00-014 | RH SPRING MOUNT SIDE PLATE | 1 | 19 | R07887 | 5/8-11 UNC 2-WAY LOCK NUT | 5 |
| 4.2 | 626-04-00-015 | SPRING PIVOT SLEEVE | 1 | 20 | R08486 | 1 1/4 x 4 UNC HEX BOLT | 1 |
| 5 | 626-05-00-000 | LH SPRING PIVOT ASSY | 1 | 21 | R07664 | 1 x 3 1/2 UNC HEX BOLT | 1 |
| 5.1 | 626-05-00-016 | LH SPRING MOUNT SIDE PLATE | 1 | 22 | R08488 | 5/8 x 3 3/4 UNC HEX BOLT | 2 |
| 5.2 | 626-04-00-015 | SPRING PIVOT SLEEVE | 1 | 23 | R07649 | 5/8 x 3 UNC HEX BOLT | 1 |
| 6 | 626-06-00-000 | SPRING GUIDE ASSY | 1 | 24 | R08487 | 1/2 x 5 1/2 UNC HEX BOLT | 1 |
| 6.1 | 626-06-00-018 | SPRING STOP- FRONT | 1 | 25 | R08485 | 3/8 x 5 1/2 UNC HEX BOLT | 2 |
| 6.2 | 626-06-00-019 | SPRING GUIDE BAR | 1 | 26 | R07807 | 3/4" LOCK WASHER | 2 |
| 6.3 | 626-06-00-020 | ANTI-ROTATE PLATE 1" | 1 | 27 | R07641 | 1/2 x 3 UNC HEX BOLT | 1 |
| 6.4 | 626-06-00-017 | FRONT PIVOT SIDE PLATE | 2 | 28 | R08462 | 3/4" UNF SLANTED U-BOLT GR.8 | 1 |
| 7 | 626-07-00-000 | PIVOT LUG ASSY | 1 | 29 | R07648 | 5/8 x 2 1/2 UNC HEX BOLT | 2 |
| 7.1 | 626-07-00-021 | PIVOT LUG PLATE | 1 | 30 | R08469 | 3 5/8" OD X 20" LONG COMP. SPRING | 1 |
| 7.2 | 626-07-00-022 | PIVOT PIN | 2 | 31 | R08147 | 5/8" X 3" BENT HITCH PIN | 1 |
| 7.3 | 626-07-00-051 | PIVOT TUBE | 1 | 32 | R07948 | 5/32 HAIR PIN | 1 |
| 8 | 626-08-00-000 | COULTER KIT COMPLETE | 1 | 33 | R08470 | 1 1/4" OD x 5/8" ID x 2" LONG COMP. SPRING | 4 |
| 9 | 626-09-00-000 | TENSION ROD ASSY | 1 | | | | |
| 9.1 | 626-09-00-030 | SPRING TENSION ROD | 1 | 34 | R07817 | 3/4-16 UNF HEX NUT | 2 |
| 9.2 | R07788 | 1-8 UNC HEX NUT | 1 | 35 | R07808 | 1" LOCK WASHER | 1 |
| | | | | 36 | R08183 | 1/4" - 28 STRAIGHT GREASE FITTING | 1 |



T-REX COULTER KIT

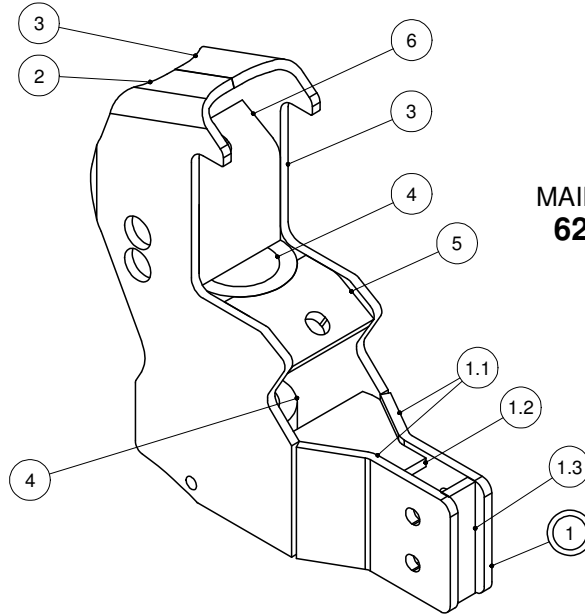


COULTER KIT COMPLETE
626-08-00-000

T-REX COULTER KIT

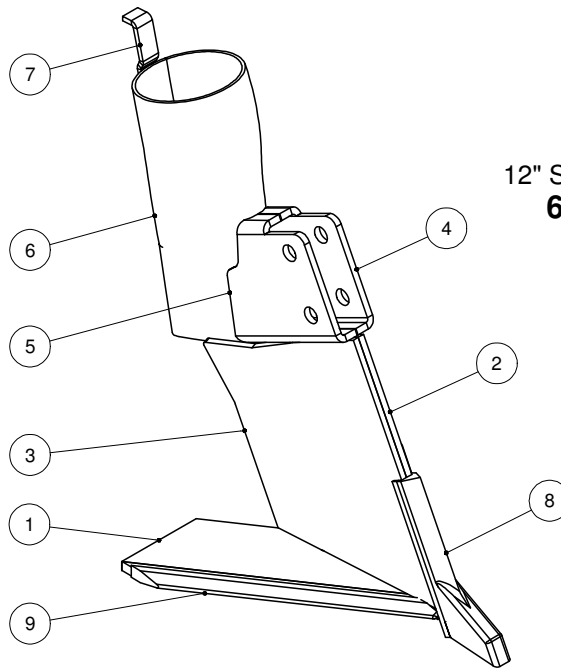
| PARTS LIST | | | |
|------------|---------------|-------------------------------------|-----|
| ITEM | PART NUMBER | DESCRIPTION | QTY |
| 1 | 626-08-01-000 | COULTER ADJUSTMENT BAR ASSY | 1 |
| 1.1 | 626-08-01-023 | COULTER ADJUSTMENT ARM | 1 |
| 1.2 | 626-08-01-024 | COULTER PIVOT SHAFT | 1 |
| 2 | 626-08-02-000 | COULTER PIVOT ASSY | 1 |
| 2.1 | 626-08-02-025 | COULTER PIVOT TUBE | 1 |
| 2.2 | 626-08-02-026 | ROTATION STOP PLATE | 1 |
| 2.3 | 626-08-02-027 | COULTER ROTATE SLEEVE | 1 |
| 2.4 | 626-08-02-048 | GUSSET BAR | 1 |
| 3 | 626-08-04-000 | COULTER ARM ASSY | 1 |
| 3.1 | 626-08-04-031 | COULTER ARM | 1 |
| 3.2 | R22065 | 1750# SPINDLE 1 3/4" x 6 1/2" | 1 |
| 3.3 | 626-08-04-028 | PIVOT BAR | 1 |
| 3.4 | 626-08-04-029 | SIDE PIN PLATE | 2 |
| 4 | 626-08-03-000 | 1750 5 BOLT HUB COMPLETE | 1 |
| 4.1 | R22079 | 1750# HUB 5BLT CUPS & TIB | 1 |
| 4.1.1 | R20132 | OUTER CUP L44610 | 1 |
| 4.1.2 | R22080 | INNER CUP L6811 | 1 |
| 4.1.3 | R08466 | 1/2 x 3/4 UNF HEX BOLT | 5 |
| 4.2 | R22081 | INNER CONE - L68149 | 1 |
| 4.3 | R22082 | OUTER CONE - L44649 | 1 |
| 4.4 | R22083 | D-1000 DUST CAP | 1 |
| 4.5 | R22084 | CR-17406 DL SEAL | 1 |
| 5 | 626-08-00-032 | 22" PLAIN COULTER DISC - P22197G | 1 |
| 6 | 626-08-00-033 | COULTER SPRING CAP | 1 |
| 7 | 626-08-00-046 | DUST CAP PROTECTOR | 1 |
| 8 | 626-08-00-047 | PIVOT WASHER | 1 |
| 9 | 626-08-00-049 | COULTER RUBBER-INNER | 1 |
| 10 | 626-08-00-050 | COULTER RUBBER-OUTER | 1 |
| 11 | R07953 | 7/16 X 2 1/2" ROLL PIN | 1 |
| 12 | R08481 | 3" OD X 12" LONG COMPRESSION SPRING | 1 |
| 13 | R20154 | SPINDLE WASHER | 1 |
| 14 | R20136 | SPINDLE NUT | 1 |
| 15 | R08011 | 3/16 x 1 1/2 COTTER PIN | 2 |
| 16 | R08443 | EYE BOLT PIN | 1 |
| 17 | R08467 | 3/4" X 15" EYE BOLT | 1 |
| 18 | R08205 | 1/4 x 2 S.S. COTTER PIN | 1 |
| 19 | R08183 | 1/4" - 28 STRAIGHT GREASE FITTING | 2 |
| 20 | R07878 | 3/4 UNC NYLOCK NUT | 1 |
| 21 | R07827 | 3/4" FLAT WASHER | 1 |

T-REX MOUNT & SWEEP



**MAIN FRAME ASSY
626-01-00-000**

| PARTS LIST | | | | PARTS LIST | | | |
|------------|---------------|------------------------|-----|------------|---------------|---------------------|-----|
| ITEM | PART NUMBER | DESCRIPTION | QTY | ITEM | PART NUMBER | DESCRIPTION | QTY |
| 1 | 626-01-01-000 | COULTER CLAMP ASSY | 1 | 3 | 626-01-00-002 | LH SIDE FRAME PLATE | 1 |
| 1.1 | 626-01-01-006 | ADJUSTMENT PLATE | 2 | 4 | 626-01-00-003 | FRAME PIVOT TUBE | 2 |
| 1.2 | 626-01-01-007 | REINFORCING PLATE | 2 | 5 | 626-01-00-004 | LOWER CLAMP PLATE | 1 |
| 1.3 | 626-01-01-008 | COULTER BRKT CAP PLATE | 1 | 6 | 626-01-00-005 | UPPER CLAMP PLATE | 1 |
| 2 | 626-01-00-001 | RH SIDE FRAME PLATE | 1 | | | | |



**12" SWEEP COMPLETE
626-10-00-000**

| PARTS LIST | | | | PARTS LIST | | | |
|------------|---------------|---------------------|-----|------------|---------------|--------------------|-----|
| ITEM | PART NUMBER | DESCRIPTION | QTY | ITEM | PART NUMBER | DESCRIPTION | QTY |
| 1 | 626-10-00-040 | 12" SWEEP | 1 | 6 | 626-10-00-042 | HOSE TUBE | 1 |
| 2 | 626-10-00-039 | LOWER SIDE PLATE-LH | 1 | 7 | 626-10-00-045 | HOSE CLAMP CLIP | 1 |
| 3 | 626-10-00-038 | LOWER SIDE PLATE-RH | 1 | 8 | R09537 | LEADING CAST POINT | 1 |
| 4 | 626-10-00-043 | TOP SIDE PLATE-LH | 1 | 9 | R09539 | LEADING WEAR EDGE | 2 |
| 5 | 626-10-00-044 | TOP SIDE PLATE-RH | 1 | | | | |

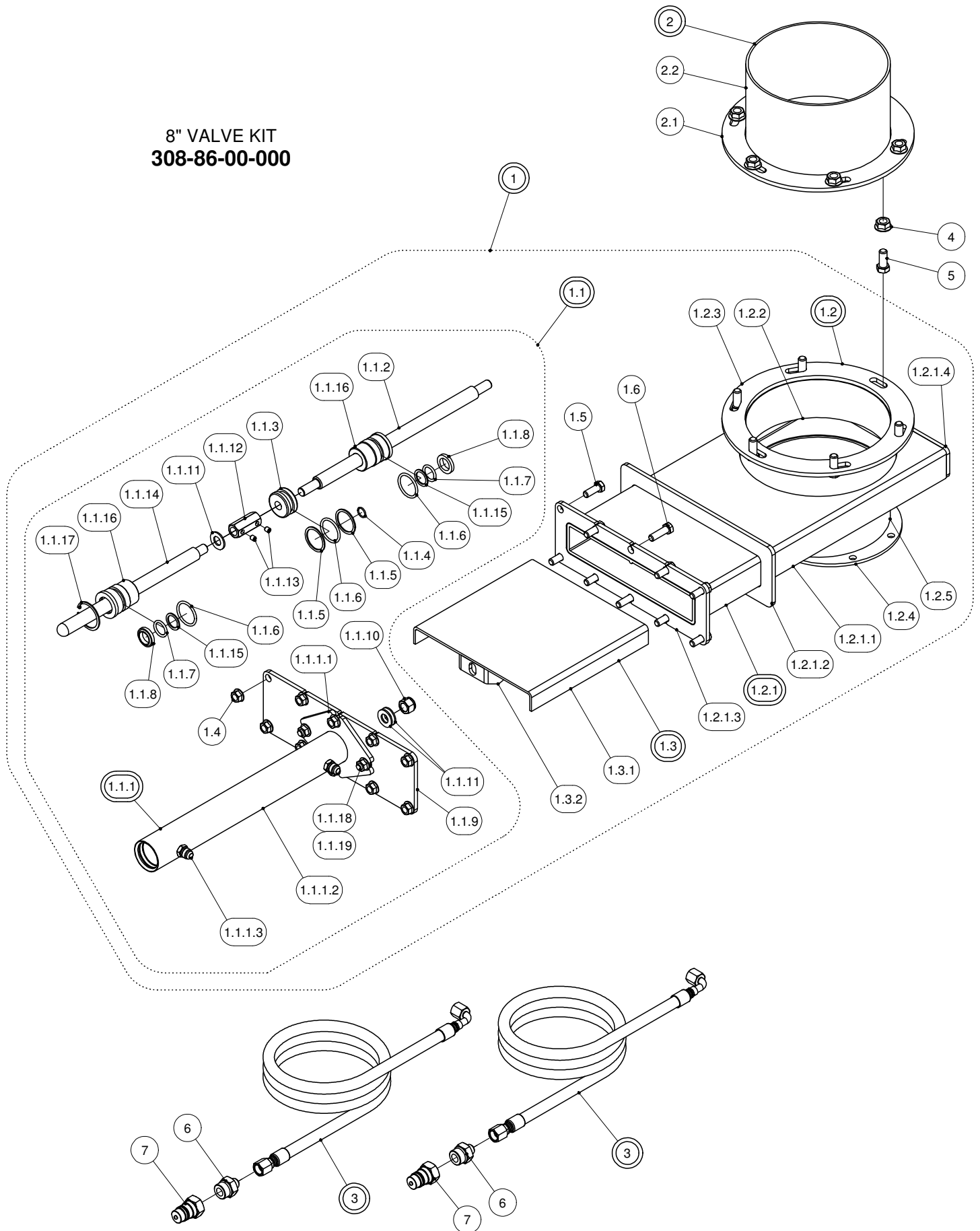
This Page is Intentionally Left Blank

VALVE KIT - 6"

| PARTS LIST | | | | PARTS LIST | | | |
|------------|---------------|------------------------------|-----|------------|---------------|------------------------------|-----|
| ITEM | PART NUMBER | DESCRIPTION | QTY | ITEM | PART NUMBER | DESCRIPTION | QTY |
| 1 | 308-49-00-000 | VALVE w/ INDICATOR ROD ASSY | 1 | 1.2 | 308-49-02-000 | VALVE BODY ASSY | 1 |
| 1.1 | 308-49-03-000 | CYL & INDICATOR ROD ASSY | 1 | 1.2.1 | 250-79-35-189 | VALVE HOUSING | 1 |
| 1.1.1 | 308-49-01-000 | CYLINDER TUBE ASSY | 1 | 1.2.2 | 275-01-02-012 | VALVE FLANGE | 1 |
| 1.1.1.1 | 296-39-01-122 | HYDRAULIC CYL TUBE FLANGE | 1 | 1.2.3 | 275-01-02-062 | VALVE END CAP | 1 |
| 1.1.1.2 | 308-49-01-275 | CYLINDER TUBE | 1 | 1.2.4 | 308-49-02-144 | VALVE EXTENSION PIPE - SHORT | 1 |
| 1.1.1.3 | R23151 | 3/8" M. JIC WELD FITTING | 2 | 1.2.5 | 308-49-02-143 | VALVE EXTENSION PIPE | 1 |
| 1.1.2 | 296-39-00-123 | CYLINDER FLANGE | 1 | 1.2.6 | 308-49-02-145 | FLANGE | 2 |
| 1.1.3 | 340-36-00-435 | CYLINDER PLUNGER | 1 | 1.3 | 275-17-00-000 | VALVE GATE ASSY | 1 |
| 1.1.4 | 250-70-00-158 | HYDRAULIC CYLINDER SHAFT | 1 | 1.3.1 | 275-17-00-080 | VALVE GATE | 1 |
| 1.1.5 | R07825 | 1/2 FLAT WASHER | 1 | 1.3.2 | 275-17-00-081 | VALVE GATE BRACKET | 1 |
| 1.1.6 | 307-36-00-099 | INDICATOR ROD | 1 | 1.4 | R07619 | 3/8 x 1 UNC HEX BOLT | 4 |
| 1.1.7 | 340-50-00-469 | SHAFT CONNECTOR | 1 | 1.5 | R07675 | 3/8 x 1 1/4 UNC HEX BOLT | 4 |
| 1.1.8 | R08221 | 7/16 SS FLAT WASHER | 2 | 1.6 | R07794 | 3/8-16 UNC FLANGE NUT | 8 |
| 1.1.9 | R08229 | 1/2" S.S. NYLOC HEX NUT | 1 | 2 | 308-69-00-000 | VALVE EXTENSION PIPE ASSY | 1 |
| 1.1.10 | R20862 | 3/4" BACKUP #210 | 2 | 2.1 | 364-01-03-376 | DISCHARGE RING | 1 |
| 1.1.11 | R20771 | O-RING #11-210 | 2 | 2.2 | 308-49-02-145 | FLANGE | 1 |
| 1.1.12 | R20774 | 3/4" HYTREL ROD WIPER 52-750 | 2 | 2.3 | 364-01-03-063 | DISCHARGE TUBE | 1 |
| 1.1.13 | R20866 | O-RING #11-218 | 3 | 3 | 308-46-14-000 | FLANGE ASSY | 1 |
| 1.1.14 | R20867 | BACKUP RING #8-218 | 2 | 3.1 | 364-01-03-063 | DISCHARGE TUBE | 1 |
| 1.1.15 | R07906 | 5/16 x 3/8" SET SCREW | 2 | 3.2 | 308-49-02-145 | FLANGE | 1 |
| 1.1.16 | R07721 | 3/8 x 1 UNC CARRIAGE BOLT | 2 | 4 | 242-35-00-000 | HYD HOSE ASSY | 2 |
| 1.1.17 | R07794 | 3/8-16 UNC FLANGE NUT | 2 | 5 | R07637 | 1/2 x 1 UNC HEX BOLT | 8 |
| 1.1.18 | R20865 | O-RING #11-014 | 1 | 6 | R07795 | 1/2-13 UNC FLANGE NUT | 8 |
| 1.1.19 | 508-09-00-039 | WIPER BLOCK - JIC | 2 | 7 | R23094 | ORB-10 x 3/8" JIC M ADAPTOR | 2 |
| 1.1.20 | R08198 | 1 9/16" INTERNAL SNAP RING | 1 | 8 | R23182 | MALE PIONEER TIP-ORB-10 | 2 |

VALVE KIT - 8"

8" VALVE KIT
308-86-00-000



VALVE KIT - 8"

| PARTS LIST | | | | PARTS LIST | | | |
|------------|---------------|--------------------------------|-----|------------|---------------|-----------------------------|-----|
| ITEM | PART NUMBER | DESCRIPTION | QTY | ITEM | PART NUMBER | DESCRIPTION | QTY |
| 1 | 308-86-05-000 | 8" VALVE W/INDICATOR VALVE KIT | 1 | 1.2 | 308-86-02-000 | VALVE BODY ASSY W/FLANGES | 1 |
| 1.1 | 308-86-01-000 | CYL & INDICATOR ROD ASSY | 1 | 1.2.1 | 244-14-01-000 | VALVE BODY ASSY | 1 |
| 1.1.1 | 308-86-03-000 | HYDRAULIC CYLINDER TUBE ASSY | 1 | 1.2.1.1 | 244-14-01-323 | VALVE BODY | 1 |
| 1.1.1.1 | 244-26-01-344 | CYLINDER TUBE FLANGE | 1 | 1.2.1.2 | 244-14-01-324 | VALVE BODY SUPPORT | 1 |
| 1.1.1.2 | 308-86-03-250 | HYD CYLINDER TUBE | 1 | 1.2.1.3 | 242-97-00-231 | VALVE INNER FLANGE | 1 |
| 1.1.1.3 | R23151 | 3/8" M. JIC WELD FITTING | 2 | 1.2.1.4 | 242-97-00-230 | VALVE END CAP | 1 |
| 1.1.2 | 244-14-02-325 | CYLINDER SHAFT | 1 | 1.2.2 | 308-86-02-247 | UPPER EXTENSION PIPE | 1 |
| 1.1.3 | 340-36-00-435 | CYLINDER PLUNGER | 1 | 1.2.3 | 358-92-02-306 | 8" DISCHARGE FLANGE | 1 |
| 1.1.4 | R20865 | O-RING #11-014 | 1 | 1.2.4 | 358-92-01-301 | 8" HOUSING DISCHARGE RING | 1 |
| 1.1.5 | R20867 | BACKUP RING #8-218 | 2 | 1.2.5 | 308-86-02-248 | LOWER EXTENSION PIPE | 1 |
| 1.1.6 | R20866 | O-RING #11-218 | 3 | 1.3 | 242-36-42-000 | VALVE GATE ASSY | 1 |
| 1.1.7 | R20771 | O-RING #11-210 | 2 | 1.3.1 | 242-36-42-268 | VALVE GATE | 1 |
| 1.1.8 | R20774 | 3/4" HYTREL ROD WIPER 52-750 | 2 | 1.3.2 | 242-36-42-269 | VALVE GATE BRKT | 1 |
| 1.1.9 | 244-26-00-345 | FLANGE | 1 | 1.4 | R07794 | 3/8-16 UNC FLANGE NUT | 10 |
| 1.1.10 | R08229 | 1/2" S.S. NYLOC HEX NUT | 1 | 1.5 | R07619 | 3/8 x 1 UNC HEX BOLT | 8 |
| 1.1.11 | R08222 | 1/2" SAE S.S. FLAT WASHER | 3 | 1.6 | R07675 | 3/8 x 1 1/4 UNC HEX BOLT | 2 |
| 1.1.12 | 340-50-00-469 | SHAFT CONNECTOR | 1 | 2 | 308-86-04-000 | HOSE ADAPTOR TUBE | 1 |
| 1.1.13 | R07906 | 5/16 x 3/8" SET SCREW | 2 | 2.1 | 358-92-02-306 | 8" DISCHARGE FLANGE | 1 |
| 1.1.14 | 308-86-01-249 | HYDRAULIC INDICATOR ROD | 1 | 2.2 | 308-86-04-257 | HOSE ADAPTOR TUBE | 1 |
| 1.1.15 | R20862 | 3/4" BACKUP #210 | 2 | 3 | 242-35-00-000 | HYD HOSE ASSY | 2 |
| 1.1.16 | 508-09-00-039 | WIPER BLOCK - JIC | 2 | 4 | R07879 | 7/16-14 UNC FLANGE NUT | 6 |
| 1.1.17 | R08198 | 1 9/16" INTERNAL SNAP RING | 1 | 5 | R07628 | 7/16 x 1 UNC HEX BOLT | 6 |
| 1.1.18 | R07721 | 3/8 x 1 UNC CARRIAGE BOLT | 2 | 6 | R23094 | ORB-10 x 3/8" JIC M ADAPTOR | 2 |
| 1.1.19 | R07794 | 3/8-16 UNC FLANGE NUT | 2 | 7 | R23182 | MALE PIONEER TIP-ORB-10 | 2 |

GUARANTEE

All Husky Farm Equipment manufactured by Husky Farm Equipment Limited is guaranteed. Guarantee covers all the replacement cost or repair of all parts said to be defective from manufacture. Guarantee also covers labour installing said parts, if installed at Husky Manufacturing plant. Time and use is the essence of the guarantee. If equipment is used on a private property for an individual's use, guarantee will be in effect for twelve months from date of invoice. If equipment is used for commercial use to do custom work for money then guarantee will be in effect for three months only from date of invoice.

EXEMPTIONS FROM GUARANTEE

Cost of transportation of equipment to or from Husky Farm Equipment Limited either by customer or by Husky's service staff or cost of mail or public transportation is not covered. Tires and electric or hydraulic motors are covered by manufacturer's warranty and although Husky may assist to get warranty, Husky will not be responsible other than that allowed by manufacturer's warranty. Items subject to normal wear from use not covered by guarantee if faulty part is simply worn.