

Date Purchased _____ Machine Serial No. _____

Options _____

The key number system in this parts book is arranged as follows:

- ◎ - Key numbers with two circles denotes main assemblies.
- - Key numbers with one circle are individual parts

Please order parts by number



REAR MOUNT SOIL INJECTOR

308-00-00-000

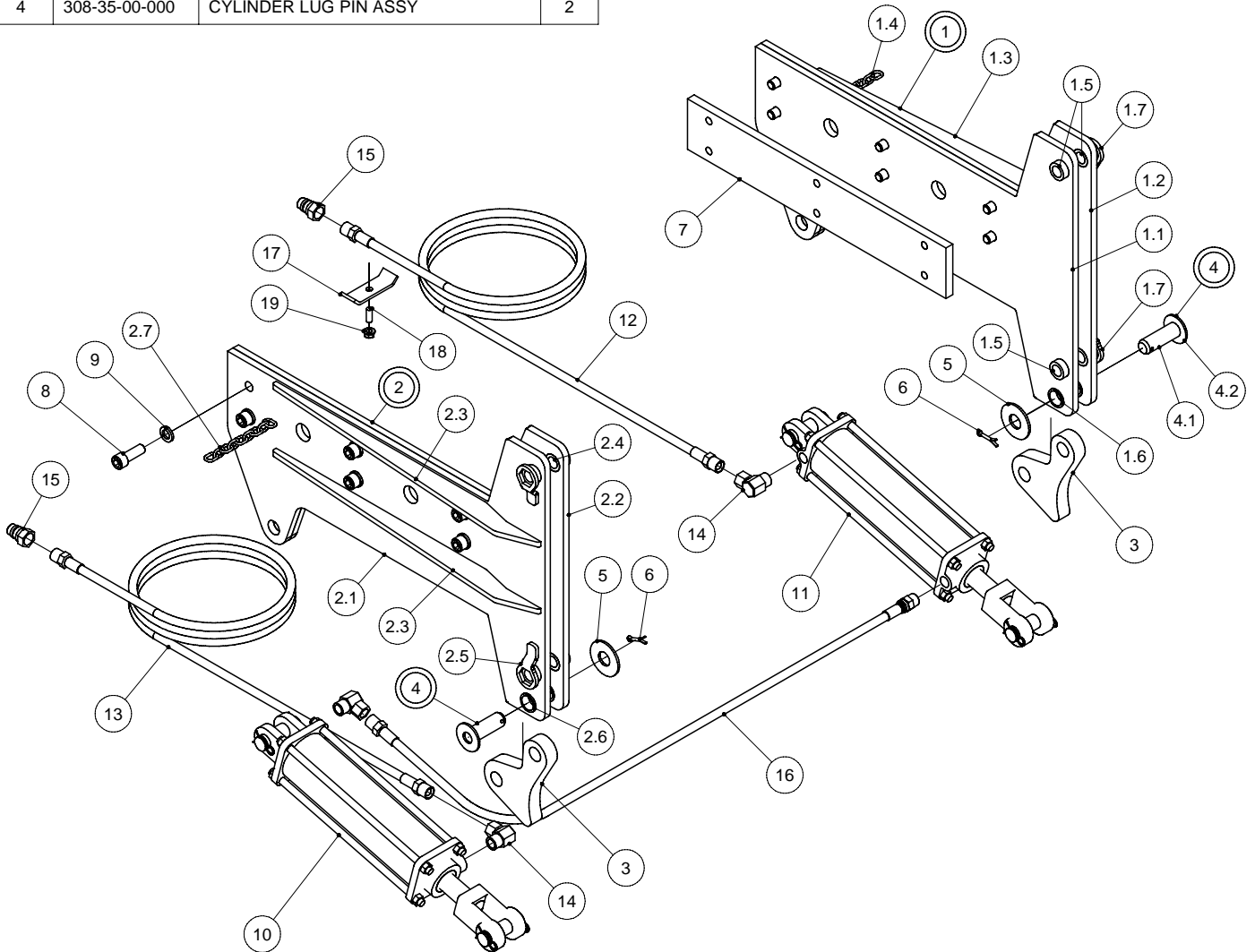
OPERATING INSTRUCTIONS:

Your Husky Rear Mount Soil Injector is designed to open up the ground wide enough to pump in a stream of manure below the ground surface. Although it is a well built machine it is not indestructible and should be used with common sense

1. Do not try to operate in very hard or stony ground
2. Volume can be controlled by P.T.O. and ground travel speed, as well as how far you open the valve.
3. Your P.T.O. shear pin will protect the injector pump. However, you should try and not inject foreign material, stones etc. Pump can be run at either 540 or 1000 r.p.m, with some tractors it may be necessary to stop P.T.O. or slow it down while turning to avoid shearing pins.
4. Never make a corner with RMSI still in the ground. Lift Injector out of the ground, and then proceed to turn. The injector can then be put back into the ground when tractor is in-line with spreader.
5. **EXTREME DANGER** – Never enter a dirty manure spreader or storage tank – one breath of hydrogen sulphide gas is enough to kill.

MOUNTING BRACKETS

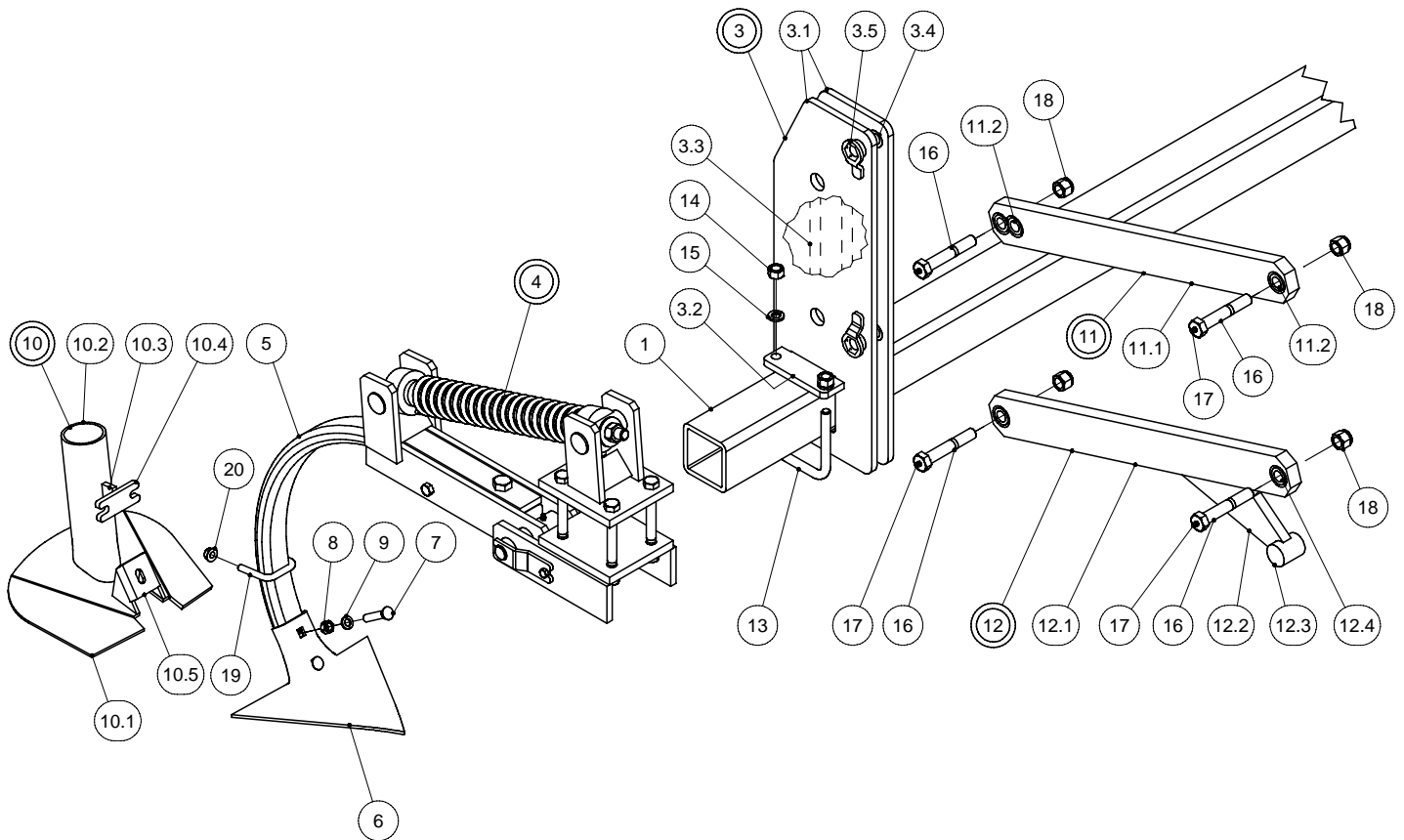
PARTS LIST				PARTS LIST			
ITEM	PART NUMBER	DESCRIPTION	QTY	ITEM	PART NUMBER	DESCRIPTION	QTY
1	308-75-00-000	R.H. MOUNTING BRKT COMPLETE	1	4.1	308-35-00-108	CYLINDER LUG PIN	1
1.1	308-74-00-214	LH MOUNTING BRKT	1	4.2	R07827	3/4" FLAT WASHER	1
1.2	308-74-00-215	RH MOUNTING BRKT	1	5	R07828	1" FLAT WASHER	2
1.3	308-74-00-216	MOUNTING BRKT GUSSET	2	6	R08013	3/16 x 2 COTTER PIN	2
1.4	308-14-00-039	SAFETY CHAIN	1	7	308-00-00-043	SILL BOLT PLATE	2
1.5	308-57-00-165	HARDENED BUSHING	4	8	R08275	5/8 x 1 3/4 UNC SHCS	12
1.6	308-14-00-037	BUSHING	2	9	R07806	5/8" LOCK WASHER	12
1.7	308-73-00-213	BOLT STOP	2	10	R21506	30PTR08 PHASING CYLINDER	1
2	308-74-00-000	L.H. MOUNTING BRKT COMPLETE	1	11	R21507	32PTR08 PHASING CYLINDER	1
2.1	308-74-00-214	LH MOUNTING BRKT	1	12	308-28-00-000	3/8" HYD HOSE ASSY	1
2.2	308-74-00-215	RH MOUNTING BRKT	1	13	308-29-00-000	3/8" HYD HOSE ASSY	1
2.3	308-74-00-216	MOUNTING BRKT GUSSET	2	14	R20814	3/4 SAE x 1/2" NPT x 90° SW. ADAPTOR	3
2.4	308-57-00-165	HARDENED BUSHING	4	15	R21342	1/2" MALE PIONEER TIP	2
2.5	308-73-00-213	BOLT STOP	2	16	308-30-00-000	HYD HOSE ASSY - UP TO 15000L	1
2.6	308-14-00-037	BUSHING	2	17	351-00-00-009	HYD. HOSE FASTENER	4
2.7	308-14-00-039	SAFETY CHAIN	1	18	R08312	3/8 x 1 WELD STUD	4
3	308-00-00-077	CYLINDER LUG	2	19	R07794	3/8-16 UNC FLANGE NUT	4
4	308-35-00-000	CYLINDER LUG PIN ASSY	2				



INJECTOR TUBES AND TEETH

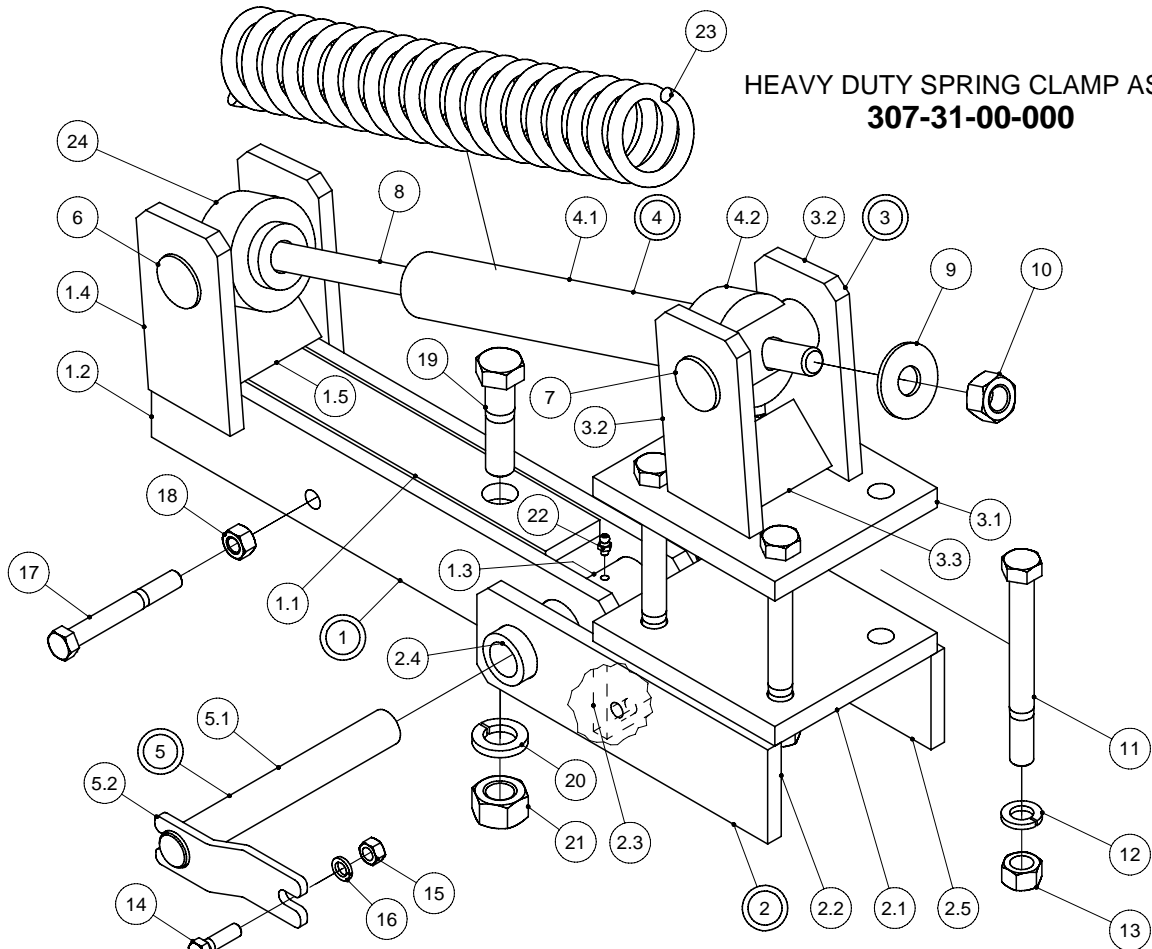
PARTS LIST				PARTS LIST			
ITEM	PART NUMBER	DESCRIPTION	QTY	ITEM	PART NUMBER	DESCRIPTION	QTY
1	308-19-00-052	TOOL BAR - 12 FT	1	10.4	308-83-00-237	BOLT PLATE	1
2	308-90-00-000	LH UPRIGHT TUBE HOLDER ASSY	1	10.5	308-83-00-238	TOOTH CONNECTOR PLATE	1
3	308-73-00-000	RH UPRIGHT TUBE HOLDER ASSY	1	11	308-57-00-000	UPPER LIFT ARM ASSY	2
3.1	308-73-00-210	TUBE HOLDER UPRIGHT	2	11.1	308-57-00-164	UPPER LIFT ARMS	1
3.2	308-73-00-212	"U" BOLT PLATE	1	11.2	308-57-00-165	HARDENED BUSHING	3
3.3	308-73-00-211	UPRIGHT REINFORCING BAR	1	12	308-16-00-000	LOWER LIFT ARM ASSY	2
3.4	308-57-00-165	HARDENED BUSHING	4	12.1	308-16-00-044	LIFT ARM	1
3.5	308-73-00-213	BOLT STOP	2	12.2	308-16-00-045	LUG BRKT	1
4	307-31-00-000	H.D. SPRING CLAMP ASSY	4	12.3	308-16-00-046	LUG	1
5	R09563	1 1/4 x 2 SPRING TOOTH	4	12.4	308-57-00-165	HARDENED BUSHING	2
6	R09553	12" CHISEL SWEEP	4	13	R08181	5/8 - 18 UNF U-BOLT x 6" LONG	4
7	R09561	1/2 -13 UNC x 2 1/2" PLOW BOLT	8	14	R07786	5/8 HEX NUT	8
8	R07785	1/2 HEX NUT	8	15	R07806	5/8 LOCK WASHER	8
9	R07805	1/2 LOCK WASHER	8	16	308-00-00-166	BUSHING BOLT	8
10	308-83-00-000	SWEEP COVER UP ASSY	4	17	R08183	1/4" - 28 STRAIGHT GREASE FITTING	8
10.1	308-83-00-234	SWEEP COVER UP	1	18	R07878	3/4 NYLOCK NUT	8
10.2	308-83-00-235	HOSE TUBE	1	19	R08214	"U" BOLT FOR SWEEP COVER UP	4
10.3	308-83-00-236	LUG	1	20	R07879	7/16-14 UNC FLANGE NUT	8

ITEM #2 NOT SHOWN, SEE ITEM #3 FOR PARTS



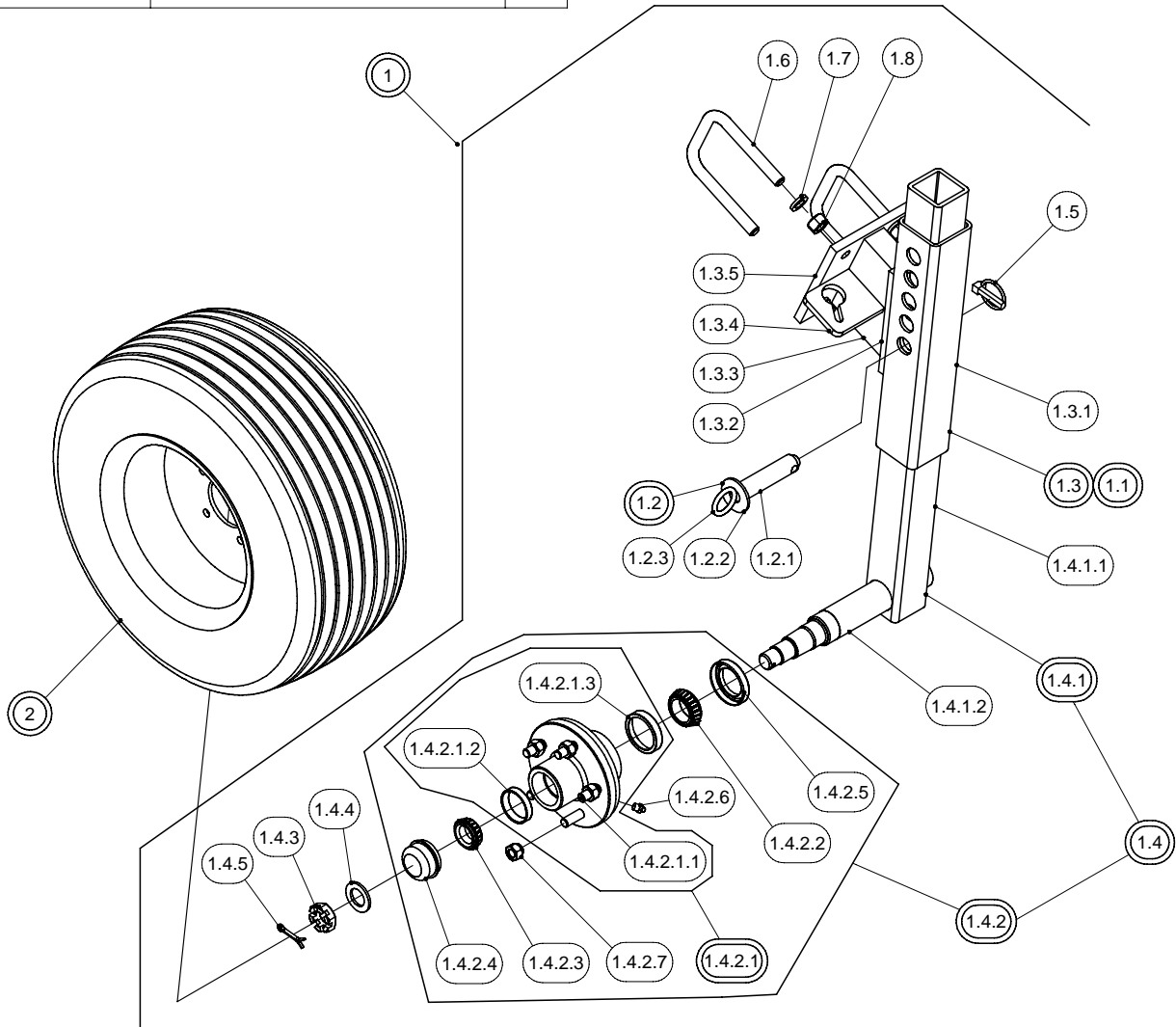
HEAVY DUTY SPRING CLAMP

PARTS LIST				PARTS LIST			
ITEM	PART NUMBER	DESCRIPTION	QTY	ITEM	PART NUMBER	DESCRIPTION	QTY
1	307-31-10-000	LOWER BRKT ASSY	1	5.2	307-31-31-133	PIVOT SHAFT BRKT	1
1.1	307-31-10-075	LOWER BRKT SPACER BAR	1	6	307-31-00-083	LOWER CROSS PIN	1
1.2	307-31-10-073	LOWER BRKT	2	7	307-31-00-082	UPPER CROSS PIN	1
1.3	307-31-10-074	INNER BUSHING	1	8	307-31-00-080	SPRING SHAFT	1
1.4	307-31-10-076	SPRING PIN BRKT	2	9	R07827	3/4" FLAT WASHER	1
1.5	307-31-10-077	ANGLE SUPPORT	1	10	R07881	3/4 - 2 WAY LOCK NUT	1
2	307-31-09-000	MAIN BRKT ASSY	1	11	R07653	5/8 x 6 HEX BOLT	4
2.1	307-31-09-070	BOLT PLATE	1	12	R07806	5/8 LOCK WASHER	4
2.2	307-31-09-134	MAIN BRKT w/ HOLE	1	13	R07786	5/8 HEX NUT	4
2.3	307-31-09-071	SPACER BAR	1	14	R07675	3/8 x 1 1/4" HEX BOLT	1
2.4	307-31-09-072	OUTER BUSHING	2	15	R07783	3/8 HEX NUT	1
2.5	307-31-09-069	MAIN BRKT	1	16	R07803	3/8 LOCK WASHER	1
3	307-31-11-000	BOLT PLATE ASSY	1	17	R07643	1/2 x 4 HEX BOLT	1
3.1	307-31-09-070	BOLT PLATE	1	18	R07885	1/2 - 2 WAY LOCK NUT	1
3.2	307-31-10-076	SPRING PIN BRKT	2	19	R07691	7/8 x 3 HEX BOLT	1
3.3	307-31-10-077	ANGLE SUPPORT	1	20	R07809	7/8" LOCK WASHER	1
4	307-31-12-000	SHAFT GUIDE ASSY	1	21	R07789	7/8" HEX NUT	1
4.1	307-31-12-079	SPRING SHAFT GUIDE	1	22	R08183	1/4" - 28 STRAIGHT GREASE FITTING	1
4.2	307-31-12-078	SPRING HOLDER BLOCK	1	23	R08029	SPRING	1
5	307-31-31-000	PIVOT SHAFT ASSY	1	24	307-31-12-078	SPRING HOLDER BLOCK	1
5.1	307-31-31-132	PIVOT SHAFT	1				

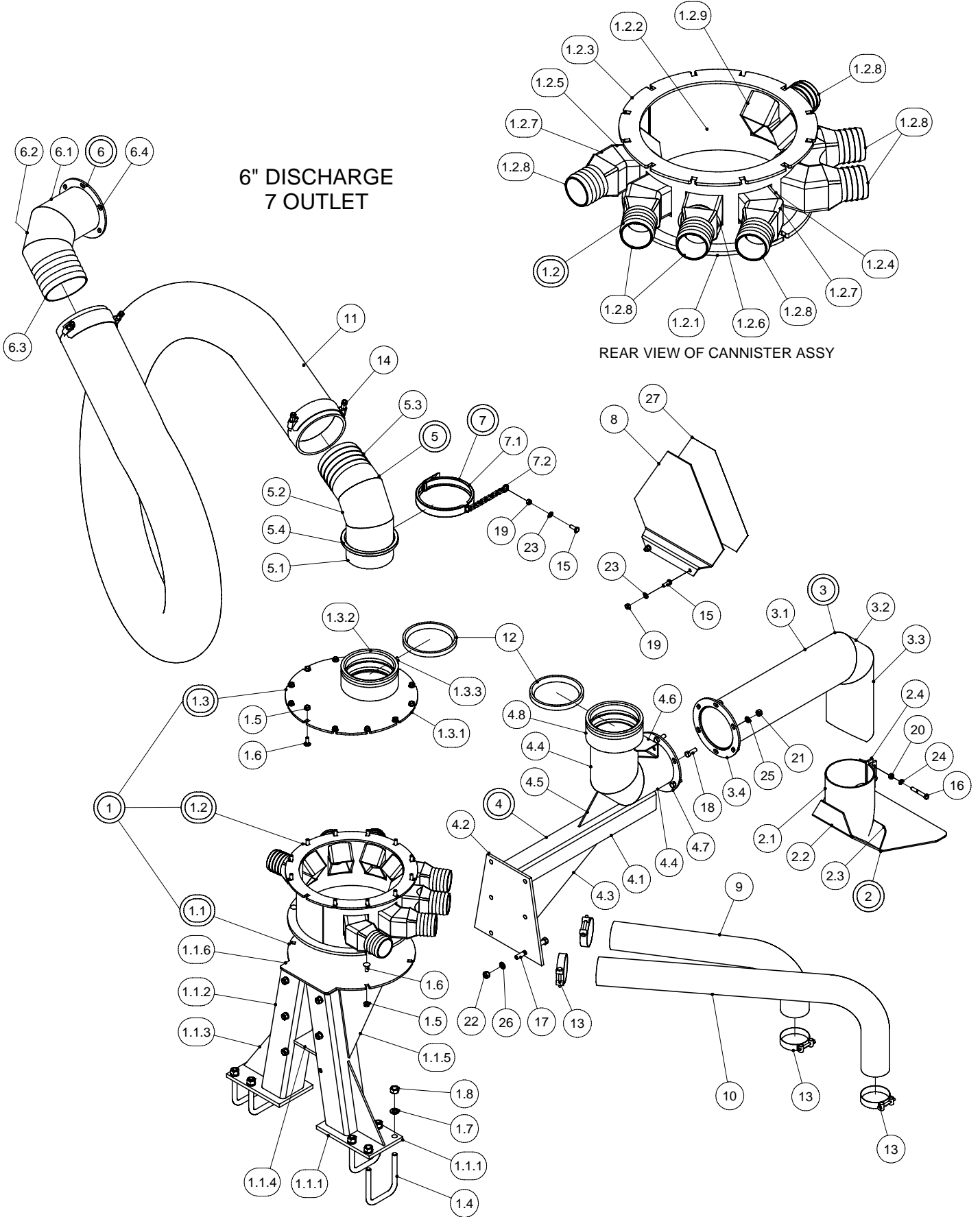


WHEEL DEPTH KIT

PARTS LIST				PARTS LIST			
ITEM	PART NUMBER	DESCRIPTION	QTY	ITEM	PART NUMBER	DESCRIPTION	QTY
1	308-85-00-000	ADJUSTABLE WHEEL BRKT KIT	1	1.4.2.1.1	R22101	1/2 - 20 UNF x 2 1/4" WHEEL BOLT	5
1.1	308-85-01-000	RH CLAMP BRKT ASSY (NOT SHOWN IN DWG)	1	1.4.2.1.2	R20132	OUTER CUP L44610	1
1.2	308-85-03-000	PIN ASSY	2	1.4.2.1.3	R22080	INNER CUP L6811	1
1.2.1	308-85-03-245	PIN	1	1.4.2.2	R22081	INNER CONE - L68149	1
1.2.2	R07827	3/4" FLAT WASHER	1	1.4.2.3	R22082	OUTER CONE - L44649	1
1.2.3	R07925	1/4 x 1 1/2 PLATED RING	1	1.4.2.4	R22083	D-1000 DUST CAP	1
1.3	308-85-04-000	LH CLAMP BRKT ASSY	1	1.4.2.5	R22084	CR-17415 SEAL	1
1.3.1	308-85-01-243	STATIONARY ADJUSTMENT TUBE	1	1.4.2.6	R08186	1/8" NPT GREASE FTG	1
1.3.2	308-85-01-242	SUPPORT PLATE	1	1.4.2.7	R22100	1/2 - 20 UNF CONE WHEEL NUT	5
1.3.3	308-85-01-241	EXTENSION BARS	1	1.4.3	R20136	SPINDLE NUT	1
1.3.4	308-85-01-251	CHAIN LOCK BRKT	1	1.4.4	R20154	SPINDLE WASHER	1
1.3.5	308-85-01-240	BACK PLATE	1	1.4.5	R08011	3/16 x 1 1/2 COTTER PIN	1
1.4	308-85-05-000	SPINDLE TUBE ASSY w/ HUB	2	1.5	R08040	2 - 18 LYNCH PIN	2
1.4.1	308-85-02-000	SPINDLE TUBE ASSY	1	1.6	R08181	5/8 - 18 UNF U-BOLT x 6" LONG	4
1.4.1.1	308-85-02-244	SPINDLE TUBE	1	1.7	R07806	5/8 LOCK WASHER	8
1.4.1.2	R22085	1750 SPINDLE 1 3/4 x 12"	1	1.8	R07816	5/8" UNF HEX NUT	8
1.4.2	301-01-00-000	1750 5 BOLT HUB COMPLETE	1	2	308-84-00-000	20.5/8.0 TIRE & WHEEL ASSY	2
1.4.2.1	R22099	5 BOLT HUB w/ CUPS & P.I. BOLTS	1				



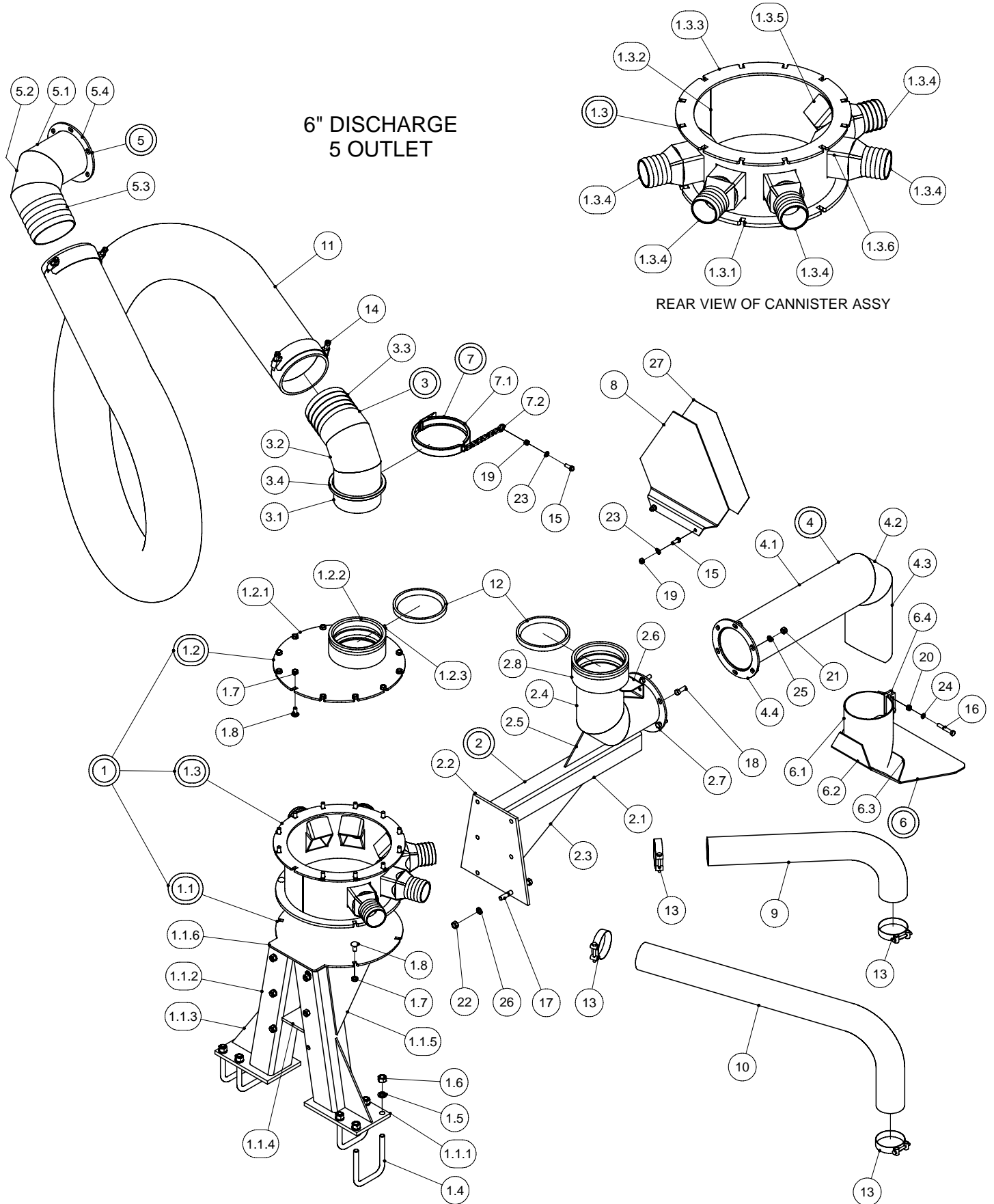
SPLASH PLATE - 6" DISCHARGE, 7 OUTLET



SPLASH PLATE - 6" DISCHARGE, 7 OUTLET

PARTS LIST				PARTS LIST			
ITEM	PART NUMBER	DESCRIPTION	QTY	ITEM	PART NUMBER	DESCRIPTION	QTY
1	308-79-00-000	7 OUTLET CANNISTER KIT - 6"	1	4.3	308-54-00-155	SUPPORT TUBE GUSSET	1
1.1	308-62-02-000	DOUBLE LEG STAND	1	4.4	308-77-00-225	DISCHARGE PIPE	1
1.1.1	308-62-02-185	UPPER CLAMP PLATE	2	4.5	308-77-00-227	GUSSET	1
1.1.2	308-62-02-183	CANNISTER LEG	2	4.6	308-77-00-226	S.M.V. SIGN HOLDER	1
1.1.3	308-62-02-187	GUSSET	2	4.7	364-19-00-087	DISCHARGE PIPE FLANGE	1
1.1.4	308-62-02-200	BRACE PLATE	1	4.8	200-58-00-242	6" COUPLING BASE TUBE	1
1.1.5	308-62-02-208	GUSSET	2	5	308-60-00-000	6" ELBOW AND RING ASSY	1
1.1.6	308-62-02-207	LEG STAND TOP PC	1	5.1	308-60-00-172	ELBOW BASE PC	1
1.2	308-79-01-000	7 OUTLET CANNISTER ASSY	1	5.2	308-60-00-173	ELBOW MIDDLE PC	1
1.2.1	308-62-01-177	CANNISTER BOTTOM	1	5.3	308-60-00-174	BARBED ELBOW END	1
1.2.2	308-79-01-229	7 OUTLET CANNISTER	1	5.4	250-95-00-295	CLAMP RING	1
1.2.3	308-62-01-197	FLANGE	1	6	308-61-00-000	6" TOP ELBOW AND FLANGE ASSY	1
1.2.4	308-79-01-274	LH ANGLED DEFLECTOR TUBE	1	6.1	308-60-00-172	ELBOW BASE PC	1
1.2.5	308-62-01-180	ANGLED DEFLECTOR TUBE	3	6.2	308-60-00-173	ELBOW MIDDLE PC	1
1.2.6	308-62-01-179	DEFLECTOR TUBE	3	6.3	308-60-00-174	BARBED ELBOW END	1
1.2.7	308-62-01-181	SHORT TUBE ANGLE	4	6.4	364-19-00-087	DISCHARGE PIPE FLANGE	1
1.2.8	308-62-01-199	BARBED CONNECTOR w/ sq END	7	7	250-97-00-000	CLAMP & CHAIN ASSY	1
1.2.9	308-62-01-178	DEFLECTOR PLATE	7	7.1	R02487	6" RING LOCK CLAMP	1
1.3	308-62-03-000	6" INLET ASSY	1	7.2	250-97-00-297	CLAMP CHAIN	1
1.3.1	308-62-03-176	TOP COVER	1	8	200-00-00-132	S.M.V. SIGN HOLDER	1
1.3.2	200-58-00-242	6" COUPLING BASE TUBE	1	9	308-00-00-149	SHORT INJECTOR HOSE	3
1.3.3	250-96-00-298	CHAIN LUG	1	10	308-00-00-148	LONG INJECTOR HOSE	4
1.4	R08181	5/8 - 18 UNF U-BOLT x 6" LONG	4	11	308-00-00-150	6" DISCHARGE HOSE	1
1.5	R07794	3/8-16 UNC FLANGE NUT	17	12	R02366	6" RUBBER GASKET	2
1.6	R07721	3/8 x 1 UNC CARRIAGE BOLT	17	13	R02480	3" BAUER SUPER CLAMP	14
1.7	R07806	5/8" LOCK WASHER	8	14	R02843	6" SPIRAL CLAMP	2
1.8	R07816	5/8-18 UNF HEX NUT	8	15	R07619	3/8 x 1 UNC HEX BOLT	3
2	364-68-00-000	SPLASH PLATE ASSY	1	16	R07622	3/8 x 2 1/2 HEX BOLT	2
2.1	364-68-00-215	CLAMPING TUBE	1	17	R07644	1/2 x 5 HEX BOLT	6
2.2	364-21-00-069	SPLASH PLATE	1	18	R07671	7/16 x 1 1/4 HEX BOLT	6
2.3	364-21-00-224	SPLASH PLATE WING	2	19	R07783	3/8-16 UNC HEX NUT	3
2.4	364-21-00-071	CLAMPING TUBE BRKT	2	20	R07783	3/8 HEX NUT	2
3	364-25-00-000	DISCHARGE PIPE END SECTION ASSY	1	21	R07784	7/16 HEX NUT	6
3.1	364-25-00-088	DISCHARGE PIPE FLANGE PC	1	22	R07785	1/2 HEX NUT	6
3.2	364-19-00-082	DISCHARGE PIPE CORNER PC	1	23	R07803	3/8" LOCK WASHER	3
3.3	364-25-00-067	DISCHARGE PIPE END PC	1	24	R07803	3/8 LOCK WASHER	2
3.4	364-19-00-087	DISCHARGE PIPE FLANGE	1	25	R07804	7/16 LOCK WASHER	6
4	308-77-00-000	6" DISCHARGE EXTENSION TUBE ASSY	1	26	R07805	1/2 LOCK WASHER	6
4.1	308-77-00-224	SUPPORT TUBE	1	27	R09501	SLOW MOVING VEHICLE DECAL	1
4.2	308-62-02-184	BACK PLATE BRKT	1				

SPLASH PLATE - 6" DISCHARGE, 5 OUTLET



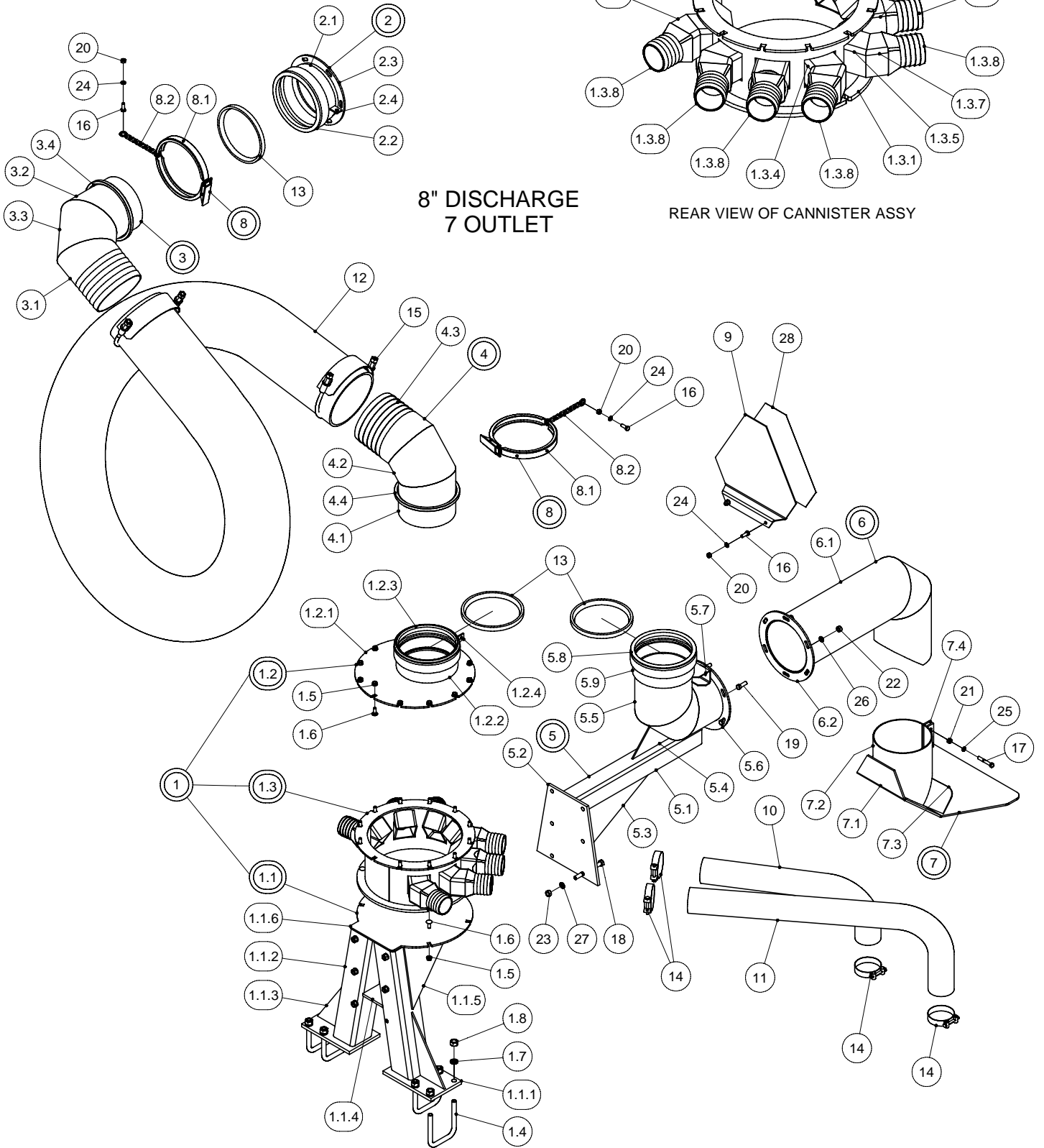
SPLASH PLATE - 6" DISCHARGE, 5 OUTLET

PARTS LIST				PARTS LIST			
ITEM	PART NUMBER	DESCRIPTION	QTY	ITEM	PART NUMBER	DESCRIPTION	QTY
1	308-70-00-000	5 OUTLET CANNISTER KIT - 6"	1	4	364-25-00-000	DISCHARGE PIPE END SECTION ASSY	1
1.1	308-62-02-000	DOUBLE LEG STAND	1	4.1	364-25-00-088	DISCHARGE PIPE FLANGE PC	1
1.1.1	308-62-02-185	UPPER CLAMP PLATE	2	4.2	364-19-00-082	DISCHARGE PIPE CORNER PC	1
1.1.2	308-62-02-183	CANNISTER LEG	2	4.3	364-25-00-067	DISCHARGE PIPE END PC	1
1.1.3	308-62-02-187	GUSSET	2	4.4	364-19-00-087	DISCHARGE PIPE FLANGE	1
1.1.4	308-62-02-200	BRACE PLATE	1	5	308-61-00-000	6" TOP ELBOW AND FLANGE ASSY	1
1.1.5	308-62-02-208	GUSSET	2	5.1	308-60-00-172	ELBOW BASE PC	1
1.1.6	308-62-02-207	LEG STAND TOP PC	1	5.2	308-60-00-173	ELBOW MIDDLE PC	1
1.2	308-62-03-000	6" INLET ASSY	1	5.3	308-60-00-174	BARBED ELBOW END	1
1.2.1	308-62-03-176	TOP COVER	1	5.4	364-19-00-087	DISCHARGE PIPE FLANGE	1
1.2.2	200-58-00-242	6" COUPLING BASE TUBE	1	6	364-68-00-000	SPLASH PLATE ASSY	1
1.2.3	250-96-00-298	CHAIN LUG	1	6.1	364-68-00-215	CLAMPING TUBE	1
1.3	308-70-01-000	5 OUTLET CANNISTER ASSY	1	6.2	364-21-00-069	SPLASH PLATE	1
1.3.1	308-62-01-177	CANNISTER BOTTOM	1	6.3	364-21-00-224	SPLASH PLATE WING	2
1.3.2	308-70-01-204	5 OUTLET CANNISTER	1	6.4	364-21-00-071	CLAMPING TUBE BRKT	2
1.3.3	308-62-01-197	FLANGE	1	7	250-97-00-000	CLAMP & CHAIN ASSY	1
1.3.4	308-62-01-199	BARBED CONNECTOR w/ sq END	5	7.1	R02487	6" RING LOCK CLAMP	1
1.3.5	308-62-01-178	DEFLECTOR PLATE	5	7.2	250-97-00-297	CLAMP CHAIN	1
1.3.6	308-62-01-179	DEFLECTOR TUBE	5	8	200-00-00-132	S.M.V. SIGN HOLDER	1
1.4	R08181	5/8 - 18 UNF U-BOLT x 6" LONG	4	9	308-00-00-149	SHORT INJECTOR HOSE	2
1.5	R07806	5/8 LOCK WASHER	8	10	308-00-00-148	LONG INJECTOR HOSE	3
1.6	R07816	5/8" UNF HEX NUT	8	11	308-00-00-150	6" DISCHARGE HOSE	1
1.7	R07879	7/16 FLANGE NUT	17	12	R02366	6" RUBBER GASKET	2
1.8	R07731	7/16 x 1 UNC CARRIAGE BOLT	17	13	R02480	3" BAUER SUPER CLAMP	10
2	308-77-00-000	6" DISCHARGE EXTENSION TUBE ASSY	1	14	R02843	6" SPIRAL CLAMP	2
				15	R07619	3/8 x 1 UNC HEX BOLT	3
2.1	308-77-00-224	SUPPORT TUBE	1	16	R07622	3/8 x 2 1/2 HEX BOLT	2
2.2	308-62-02-184	BACK PLATE BRKT	1	17	R07644	1/2 x 5 HEX BOLT	6
2.3	308-54-00-155	SUPPORT TUBE GUSSET	1	18	R07671	7/16 x 1 1/4 HEX BOLT	6
2.4	308-77-00-225	DISCHARGE PIPE	1	19	R07783	3/8-16 UNC HEX NUT	3
2.5	308-77-00-227	GUSSET	1	20	R07783	3/8 HEX NUT	2
2.6	308-77-00-226	S.M.V. SIGN HOLDER	1	21	R07784	7/16 HEX NUT	6
2.7	364-19-00-087	DISCHARGE PIPE FLANGE	1	22	R07785	1/2 HEX NUT	6
2.8	200-58-00-242	6" COUPLING BASE TUBE	1	23	R07803	3/8" LOCK WASHER	3
3	308-60-00-000	6" ELBOW AND RING ASSY	1	24	R07803	3/8 LOCK WASHER	2
3.1	308-60-00-172	ELBOW BASE PC	1	25	R07804	7/16 LOCK WASHER	6
3.2	308-60-00-173	ELBOW MIDDLE PC	1	26	R07805	1/2 LOCK WASHER	6
3.3	308-60-00-174	BARBED ELBOW END	1	27	R09501	SLOW MOVING VEHICLE DECAL	1
3.4	250-95-00-295	CLAMP RING	1				

SPLASH PLATE - 6" DISCHARGE, 4 OUTLET

PARTS LIST				PARTS LIST			
ITEM	PART NUMBER	DESCRIPTION	QTY	ITEM	PART NUMBER	DESCRIPTION	QTY
1	308-78-00-000	4 OUTLET CANNISTER KIT - 6"	1	4	308-61-00-000	6" TOP ELBOW AND FLANGE ASSY	1
1.1	308-62-02-000	DOUBLE LEG STAND	1	4.1	308-60-00-172	ELBOW BASE PC	1
1.1.1	308-62-02-185	UPPER CLAMP PLATE	2	4.2	308-60-00-173	ELBOW MIDDLE PC	1
1.1.2	308-62-02-183	CANNISTER LEG	2	4.3	308-60-00-174	BARBED ELBOW END	1
1.1.3	308-62-02-187	GUSSET	2	4.4	364-19-00-087	DISCHARGE PIPE FLANGE	1
1.1.4	308-62-02-200	BRACE PLATE	1	5	364-68-00-000	SPLASH PLATE ASSY	1
1.1.5	308-62-02-208	GUSSET	2	5.1	364-68-00-215	CLAMPING TUBE	1
1.1.6	308-62-02-207	LEG STAND TOP PC	1	5.2	364-21-00-069	SPLASH PLATE	1
1.2	R08181	5/8 - 18 UNF U-BOLT x 6" LONG	4	5.3	364-21-00-224	SPLASH PLATE WING	2
1.3	R07794	3/8-16 UNC FLANGE NUT	17	5.4	364-21-00-071	CLAMPING TUBE BRKT	2
1.4	R07721	3/8 x 1 UNC CARRIAGE BOLT	17	6	308-60-00-000	6" ELBOW AND RING ASSY	1
1.5	R07806	5/8" LOCK WASHER	8	6.1	308-60-00-172	ELBOW BASE PC	1
1.6	R07816	5/8-18 UNF HEX NUT	8	6.2	308-60-00-173	ELBOW MIDDLE PC	1
1.7	308-78-01-000	4 OUTLET CANNISTER ASSY	1	6.3	308-60-00-174	BARBED ELBOW END	1
1.7.1	308-62-01-177	CANNISTER BOTTOM	1	6.4	250-95-00-295	CLAMP RING	1
1.7.2	308-78-01-228	4 OUTLET CANNISTER	1	7	250-97-00-000	CLAMP & CHAIN ASSY	1
1.7.3	308-62-01-197	FLANGE	1	7.1	R02487	6" RING LOCK CLAMP	1
1.7.4	308-62-01-179	DEFLECTOR TUBE	4	7.2	250-97-00-297	CLAMP CHAIN	1
1.7.5	308-62-01-178	DEFLECTOR PLATE	4	8	308-00-00-149	SHORT INJECTOR HOSE	2
1.7.6	308-62-01-199	BARBED CONNECTOR w/ sq END	4	9	308-00-00-148	LONG INJECTOR HOSE	2
1.8	308-62-03-000	6" INLET ASSY	1	10	308-00-00-150	6" DISCHARGE HOSE	1
1.8.1	308-62-03-176	TOP COVER	1	11	200-00-00-132	S.M.V. SIGN HOLDER	1
1.8.2	200-58-00-242	6" COUPLING BASE TUBE	1	12	R02366	6" RUBBER GASKET	2
1.8.3	250-96-00-298	CHAIN LUG	1	13	R02480	3" BAUER SUPER CLAMP	8
2	308-77-00-000	6" DISCHARGE EXTENSION TUBE ASSY	1	14	R02843	6" SPIRAL CLAMP	2
				15	R07619	3/8 x 1 UNC HEX BOLT	3
2.1	308-77-00-224	SUPPORT TUBE	1	16	R07622	3/8 x 2 1/2 HEX BOLT	2
2.2	308-62-02-184	BACK PLATE BRKT	1	17	R07644	1/2 x 5 HEX BOLT	6
2.3	308-54-00-155	SUPPORT TUBE GUSSET	1	18	R07671	7/16 x 1 1/4 HEX BOLT	6
2.4	308-77-00-225	DISCHARGE PIPE	1	19	R07783	3/8-16 UNC HEX NUT	3
2.5	308-77-00-227	GUSSET	1	20	R07783	3/8 HEX NUT	2
2.6	308-77-00-226	S.M.V. SIGN HOLDER	1	21	R07784	7/16 HEX NUT	6
2.7	364-19-00-087	DISCHARGE PIPE FLANGE	1	22	R07785	1/2 HEX NUT	6
2.8	200-58-00-242	6" COUPLING BASE TUBE	1	23	R07803	3/8" LOCK WASHER	3
3	364-25-00-000	DISCHARGE PIPE END SECTION ASSY	1	24	R07803	3/8 LOCK WASHER	2
3.1	364-25-00-088	DISCHARGE PIPE FLANGE PC	1	25	R07804	7/16 LOCK WASHER	6
3.2	364-19-00-082	DISCHARGE PIPE CORNER PC	1	26	R07805	1/2 LOCK WASHER	6
3.3	364-25-00-067	DISCHARGE PIPE END PC	1	27	R09501	SLOW MOVING VEHICLE DECAL	1
3.4	364-19-00-087	DISCHARGE PIPE FLANGE	1				

SPLASH PLATE - 8" DISCHARGE, 7 OUTLET



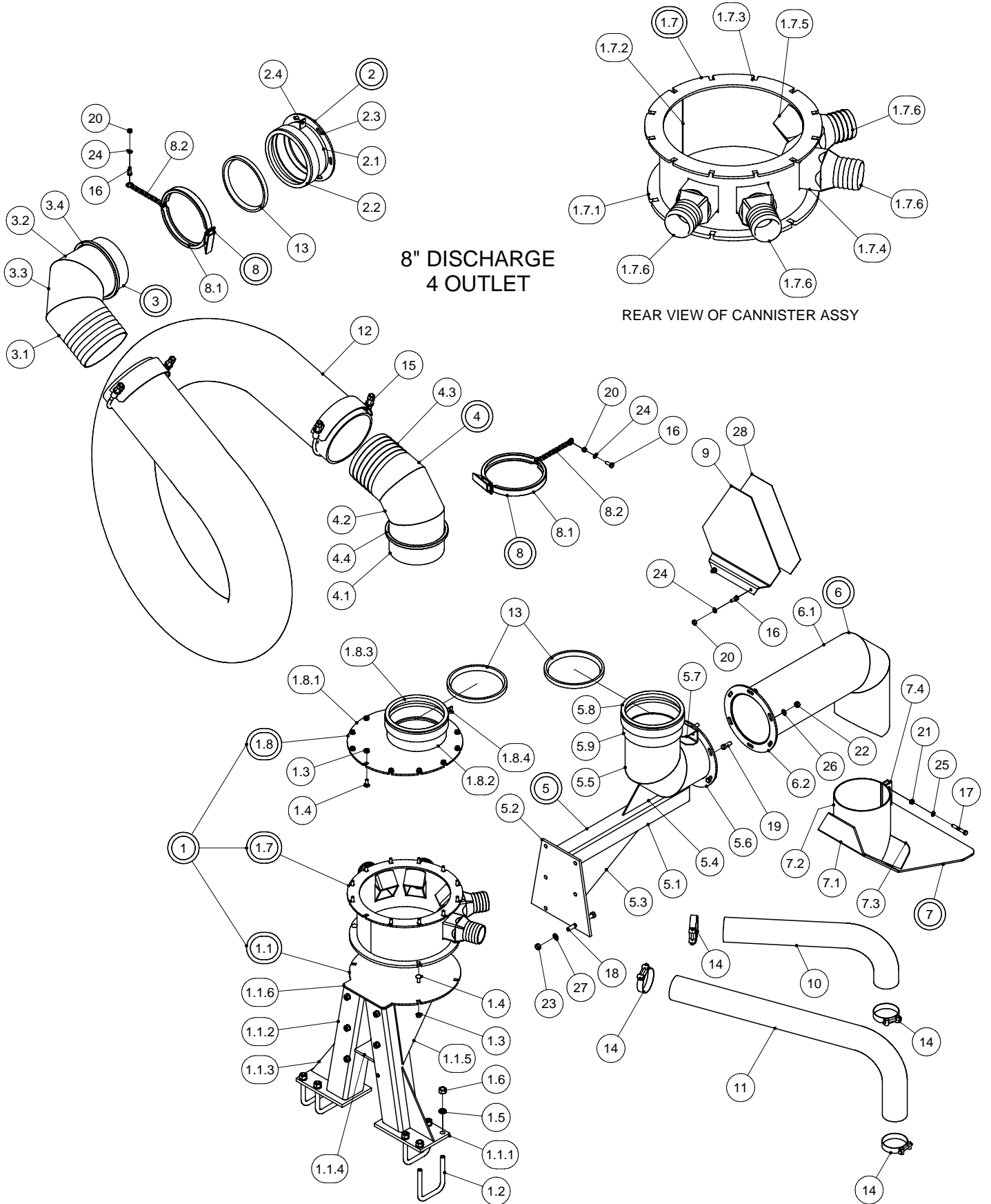
SPLASH PLATE - 8" DISCHARGE, 7 OUTLET

PARTS LIST				PARTS LIST			
ITEM	PART NUMBER	DESCRIPTION	QTY	ITEM	PART NUMBER	DESCRIPTION	QTY
1	308-63-00-000	7 OUTLET CANNISTER KIT - 8"	1	4.4	244-08-00-307	CLAMP RING	1
1.1	308-62-02-000	DOUBLE LEG STAND	1	5	308-82-00-000	8" DISCHARGE EXT. TUBE ASSY	1
1.1.1	308-62-02-185	UPPER CLAMP PLATE	2	5.1	308-77-00-224	SUPPORT TUBE	1
1.1.2	308-62-02-183	CANNISTER LEG	2	5.2	308-62-02-184	BACK PLATE BRKT	1
1.1.3	308-62-02-187	GUSSET	2	5.3	308-54-00-155	SUPPORT TUBE GUSSET	1
1.1.4	308-62-02-200	BRACE PLATE	1	5.4	308-77-00-227	GUSSET	1
1.1.5	308-62-02-208	GUSSET	2	5.5	308-82-00-230	DISCHARGE PIPE	1
1.1.6	308-62-02-207	LEG STAND TOP PC	1	5.6	358-92-02-306	8" DISCHARGE FLANGE	1
1.2	308-63-03-000	8" INLET ASSY	1	5.7	308-82-00-231	SMV SIGN HOLDER-8" PIPE	1
1.2.1	308-63-03-188	TOP COVER -8"	1	5.8	244-07-01-306	COUPLING BASE	1
1.2.2	308-63-01-189	8" EXTENSION PIPE	1	5.9	308-63-01-189	8" EXTENSION PIPE	1
1.2.3	244-07-01-306	COUPLING BASE	1	6	358-92-03-000	8" EXTENSION PIPE ASSY	1
1.2.4	250-96-00-298	CHAIN LUG	1	6.1	358-92-03-307	8" EXTENSION PIPE	1
1.3	308-79-01-000	7 OUTLET CANNISTER ASSY	1	6.2	358-92-02-306	8" DISCHARGE FLANGE	1
1.3.1	308-62-01-177	CANNISTER BOTTOM	1	7	358-92-04-000	8" SPLASH PLATE ASSY	1
1.3.2	308-79-01-229	7 OUTLET CANNISTER	1	7.1	358-92-04-308	8" SPLASH PLATE	1
1.3.3	308-62-01-197	FLANGE	1	7.2	358-92-04-309	8" SPLASH PLATE TUBE	1
1.3.4	308-79-01-274	LH ANGLED DEFLECTOR TUBE	1	7.3	358-92-04-310	WING FOR 8" SPLASH PLATE	2
1.3.5	308-62-01-180	ANGLED DEFLECTOR TUBE	3	7.4	358-92-04-311	CLAMPING TUBE BRKT	2
1.3.6	308-62-01-179	DEFLECTOR TUBE	3	8	244-09-00-000	8" CLAMP & CHAIN ASSY	2
1.3.7	308-62-01-181	SHORT TUBE ANGLE	4	8.1	R02488	8" RINGLOCK CLAMP	1
1.3.8	308-62-01-199	BARBED CONNECTOR w/ sq END	7	8.2	250-97-00-297	CLAMP CHAIN	1
1.3.9	308-62-01-178	DEFLECTOR PLATE	7	9	200-00-00-132	S.M.V. SIGN HOLDER	1
1.4	R08181	5/8 - 18 UNF U-BOLT x 6" LONG	4	10	308-00-00-149	SHORT INJECTOR HOSE	3
1.5	R07794	3/8-16 UNC FLANGE NUT	17	11	308-00-00-148	LONG INJECTOR HOSE	4
1.6	R07721	3/8 x 1 UNC CARRIAGE BOLT	17	12	308-00-00-196	8" DISCHARGE HOSE	1
1.7	R07806	5/8" LOCK WASHER	8	13	R02360	8" SQ RAINWAY/HUSKY GASKET	3
1.8	R07816	5/8-18 UNF HEX NUT	8	14	R02480	3" BAUER SUPER CLAMP	14
2	308-65-00-000	8" COUPLING BASE ASSY-TOP	1	15	R02844	8" SPIRAL CLAMP	2
		DISCH PIPE		16	R07619	3/8 x 1 UNC HEX BOLT	4
2.1	308-65-00-191	8" EXTENSION-TOP DISCHARGE	1	17	R07622	3/8 x 2 1/2 HEX BOLT	2
2.2	244-07-01-306	COUPLING BASE	1	18	R07644	1/2 x 5 HEX BOLT	6
2.3	358-92-02-306	8" DISCHARGE FLANGE	1	19	R07671	7/16 x 1 1/4 HEX BOLT	6
2.4	250-96-00-298	CHAIN LUG	1	20	R07783	3/8-16 UNC HEX NUT	4
3	308-66-00-000	8" COUPLING ELBOW ASSY-TOP	1	21	R07783	3/8 HEX NUT	2
3.1	308-66-00-192	8" BARBED ELBOW END	1	22	R07784	7/16 HEX NUT	6
3.2	308-66-00-193-A	TOP COUPLING ELBOW PC	1	23	R07785	1/2 HEX NUT	6
3.3	308-66-00-193-B	TOP COUPLING ELBOW PC	1	24	R07803	3/8" LOCK WASHER	4
3.4	244-08-00-307	CLAMP RING	1	25	R07803	3/8 LOCK WASHER	2
4	308-67-00-000	8" COUPLING ELBOW ASSY-BOTTOM	1	26	R07804	7/16 LOCK WASHER	6
4.1	308-67-00-195-A	BOTTOM COUPLING ELBOW PC	1	27	R07805	1/2 LOCK WASHER	6
4.2	308-67-00-195-B	BOTTOM COUPLING ELBOW PC	1	28	R09501	SLOW MOVING VEHICLE DECAL	1
4.3	308-67-00-194	BARBED ELBOW END	1				

SPLASH PLATE - 8" DISCHARGE 5 OUTLET

PARTS LIST				PARTS LIST			
ITEM	PART NUMBER	DESCRIPTION	QTY	ITEM	PART NUMBER	DESCRIPTION	QTY
1	308-80-00-000	5 OUTLET CANNISTER KIT - 8"	1	4.3	358-92-04-310	WING FOR 8" SPLASH PLATE	2
1.1	308-62-02-000	DOUBLE LEG STAND	1	4.4	358-92-04-311	CLAMPING TUBE BRKT	2
1.1.1	308-62-02-185	UPPER CLAMP PLATE	2	5	308-67-00-000	8" COUPLING ELBOW ASSY-BOTTOM	1
1.1.2	308-62-02-183	CANNISTER LEG	2	5.1	308-67-00-195-A	BOTTOM COUPLING ELBOW PC	1
1.1.3	308-62-02-187	GUSSET	2	5.2	308-67-00-195-B	BOTTOM COUPLING ELBOW PC	1
1.1.4	308-62-02-200	BRACE PLATE	1	5.3	308-67-00-194	BARBED ELBOW END	1
1.1.5	308-62-02-208	GUSSET	2	5.4	244-08-00-307	CLAMP RING	1
1.1.6	308-62-02-207	LEG STAND TOP PC	1	6	308-66-00-000	8" COUPLING ELBOW ASSY-TOP	1
1.2	308-63-03-000	8" INLET ASSY	1	6.1	308-66-00-192	8" BARBED ELBOW END	1
1.2.1	308-63-03-188	TOP COVER -8"	1	6.2	308-66-00-193-A	TOP COUPLING ELBOW PC	1
1.2.2	308-63-01-189	8" EXTENSION PIPE	1	6.3	308-66-00-193-B	TOP COUPLING ELBOW PC	1
1.2.3	244-07-01-306	COUPLING BASE	1	6.4	244-08-00-307	CLAMP RING	1
1.2.4	250-96-00-298	CHAIN LUG	1	7	308-65-00-000	8" COUPLING BASE ASSY-TOP DISCH PIPE	1
1.3	308-70-01-000	5 OUTLET CANNISTER ASSY	1				
1.3.1	308-62-01-177	CANNISTER BOTTOM	1	7.1	308-65-00-191	8" EXTENSION-TOP DISCHARGE	1
1.3.2	308-70-01-204	5 OUTLET CANNISTER	1	7.2	244-07-01-306	COUPLING BASE	1
1.3.3	308-62-01-197	FLANGE	1	7.3	358-92-02-306	8" DISCHARGE FLANGE	1
1.3.4	308-62-01-199	BARBED CONNECTOR w/ sq END	5	7.4	250-96-00-298	CHAIN LUG	1
1.3.5	308-62-01-178	DEFLECTOR PLATE	5	8	244-09-00-000	8" CLAMP & CHAIN ASSY	2
1.3.6	308-62-01-179	DEFLECTOR TUBE	5	8.1	R02488	8" RINGLOCK CLAMP	1
1.4	R08181	5/8 - 18 UNF U-BOLT x 6" LONG	4	8.2	250-97-00-297	CLAMP CHAIN	1
1.5	R07794	3/8-16 UNC FLANGE NUT	17	9	200-00-00-132	S.M.V. SIGN HOLDER	1
1.6	R07721	3/8 x 1 UNC CARRIAGE BOLT	17	10	308-00-00-149	SHORT INJECTOR HOSE	2
1.7	R07806	5/8" LOCK WASHER	8	11	308-00-00-148	LONG INJECTOR HOSE	3
1.8	R07816	5/8-18 UNF HEX NUT	8	12	308-00-00-196	8" DISCHARGE HOSE	1
2	308-82-00-000	8" DISCHARGE EXT. TUBE ASSY	1	13	R02360	8" SQ RAINWAY/HUSKY GASKET	3
2.1	308-77-00-224	SUPPORT TUBE	1	14	R02480	3" BAUER SUPER CLAMP	10
2.2	308-62-02-184	BACK PLATE BRKT	1	15	R02844	8" SPIRAL CLAMP	2
2.3	308-54-00-155	SUPPORT TUBE GUSSET	1	16	R07619	3/8 x 1 UNC HEX BOLT	4
2.4	308-77-00-227	GUSSET	1	17	R07622	3/8 x 2 1/2 HEX BOLT	2
2.5	308-82-00-230	DISCHARGE PIPE	1	18	R07644	1/2 x 5 HEX BOLT	6
2.6	358-92-02-306	8" DISCHARGE FLANGE	1	19	R07671	7/16 x 1 1/4 HEX BOLT	6
2.7	308-82-00-231	SMV SIGN HOLDER-8" PIPE	1	20	R07783	3/8-16 UNC HEX NUT	4
2.8	244-07-01-306	COUPLING BASE	1	21	R07783	3/8 HEX NUT	2
2.9	308-63-01-189	8" EXTENSION PIPE	1	22	R07784	7/16 HEX NUT	6
3	358-92-03-000	8" EXTENSION PIPE ASSY	1	23	R07785	1/2 HEX NUT	6
3.1	358-92-03-307	8" EXTENSION PIPE	1	24	R07803	3/8" LOCK WASHER	4
3.2	358-92-02-306	8" DISCHARGE FLANGE	1	25	R07803	3/8 LOCK WASHER	2
4	358-92-04-000	8" SPLASH PLATE ASSY	1	26	R07804	7/16 LOCK WASHER	6
4.1	358-92-04-308	8" SPLASH PLATE	1	27	R07805	1/2 LOCK WASHER	6
4.2	358-92-04-309	8" SPLASH PLATE TUBE	1	28	R09501	SLOW MOVING VEHICLE DECAL	1

SPLASH PLATE - 8" DISCHARGE, 4 OUTLET

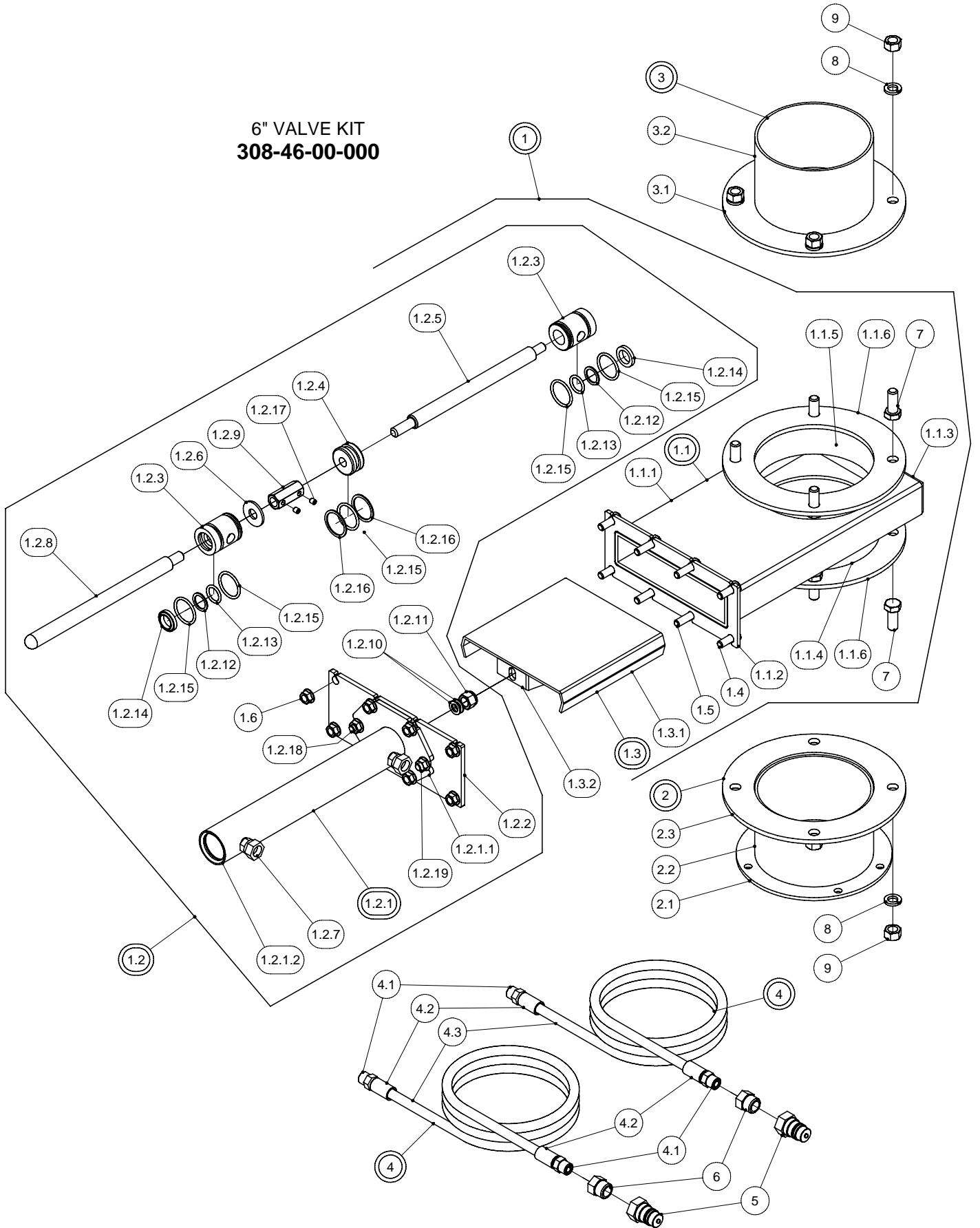


SPLASH PLATE - 8" DISCHARGE, 4 OUTLET

PARTS LIST				PARTS LIST			
ITEM	PART NUMBER	DESCRIPTION	QTY	ITEM	PART NUMBER	DESCRIPTION	QTY
1	308-81-00-000	4 OUTLET CANNISTER KIT - 8"	1	5	308-82-00-000	8" DISCHARGE EXT. TUBE ASSY	1
1.1	308-62-02-000	DOUBLE LEG STAND	1	5.1	308-77-00-224	SUPPORT TUBE	1
1.1.1	308-62-02-185	UPPER CLAMP PLATE	2	5.2	308-62-02-184	BACK PLATE BRKT	1
1.1.2	308-62-02-183	CANNISTER LEG	2	5.3	308-54-00-155	SUPPORT TUBE GUSSET	1
1.1.3	308-62-02-187	GUSSET	2	5.4	308-77-00-227	GUSSET	1
1.1.4	308-62-02-200	BRACE PLATE	1	5.5	308-82-00-230	DISCHARGE PIPE	1
1.1.5	308-62-02-208	GUSSET	2	5.6	358-92-02-306	8" DISCHARGE FLANGE	1
1.1.6	308-62-02-207	LEG STAND TOP PC	1	5.7	308-82-00-231	SMV SIGN HOLDER-8" PIPE	1
1.2	R08181	5/8 - 18 UNF U-BOLT x 6" LONG	4	5.8	244-07-01-306	COUPLING BASE	1
1.3	R07794	3/8-16 UNC FLANGE NUT	17	5.9	308-63-01-189	8" EXTENSION PIPE	1
1.4	R07721	3/8 x 1 UNC CARRIAGE BOLT	17	6	358-92-03-000	8" EXTENSION PIPE ASSY	1
1.5	R07806	5/8" LOCK WASHER	8	6.1	358-92-03-307	8" EXTENSION PIPE	1
1.6	R07816	5/8-18 UNF HEX NUT	8	6.2	358-92-02-306	8" DISCHARGE FLANGE	1
1.7	308-78-01-000	4 OUTLET CANNISTER ASSY	1	7	358-92-04-000	8" SPLASH PLATE ASSY	1
1.7.1	308-62-01-177	CANNISTER BOTTOM	1	7.1	358-92-04-308	8" SPLASH PLATE	1
1.7.2	308-78-01-228	4 OUTLET CANNISTER	1	7.2	358-92-04-309	8" SPLASH PLATE TUBE	1
1.7.3	308-62-01-197	FLANGE	1	7.3	358-92-04-310	WING FOR 8" SPLASH PLATE	2
1.7.4	308-62-01-179	DEFLECTOR TUBE	4	7.4	358-92-04-311	CLAMPING TUBE BRKT	2
1.7.5	308-62-01-178	DEFLECTOR PLATE	4	8	244-09-00-000	8" CLAMP & CHAIN ASSY	2
1.7.6	308-62-01-199	BARBED CONNECTOR w/ sq END	4	8.1	R02488	8" RINGLOCK CLAMP	1
1.8	308-63-03-000	8" INLET ASSY	1	8.2	250-97-00-297	CLAMP CHAIN	1
1.8.1	308-63-03-188	TOP COVER -8"	1	9	200-00-00-132	S.M.V. SIGN HOLDER	1
1.8.2	308-63-01-189	8" EXTENSION PIPE	1	10	308-00-00-149	SHORT INJECTOR HOSE	2
1.8.3	244-07-01-306	COUPLING BASE	1	11	308-00-00-148	LONG INJECTOR HOSE	2
1.8.4	250-96-00-298	CHAIN LUG	1	12	308-00-00-196	8" DISCHARGE HOSE	1
2	308-65-00-000	8" COUPLING BASE ASSY-TOP DISCH PIPE	1	13	R02360	8" SQ RAINWAY/HUSKY GASKET	3
				14	R02480	3" BAUER SUPER CLAMP	8
2.1	308-65-00-191	8" EXTENSION-TOP DISCHARGE	1	15	R02844	8" SPIRAL CLAMP	2
2.2	244-07-01-306	COUPLING BASE	1	16	R07619	3/8 x 1 UNC HEX BOLT	4
2.3	358-92-02-306	8" DISCHARGE FLANGE	1	17	R07622	3/8 x 2 1/2 HEX BOLT	2
2.4	250-96-00-298	CHAIN LUG	1	18	R07644	1/2 x 5 HEX BOLT	6
3	308-66-00-000	8" COUPLING ELBOW ASSY-TOP	1	19	R07671	7/16 x 1 1/4 HEX BOLT	6
3.1	308-66-00-192	8" BARBED ELBOW END	1	20	R07783	3/8-16 UNC HEX NUT	4
3.2	308-66-00-193-A	TOP COUPLING ELBOW PC	1	21	R07783	3/8 HEX NUT	2
3.3	308-66-00-193-B	TOP COUPLING ELBOW PC	1	22	R07784	7/16 HEX NUT	6
3.4	244-08-00-307	CLAMP RING	1	23	R07785	1/2 HEX NUT	6
4	308-67-00-000	8" COUPLING ELBOW ASSY-BOTTOM	1	24	R07803	3/8" LOCK WASHER	4
4.1	308-67-00-195-A	BOTTOM COUPLING ELBOW PC	1	25	R07803	3/8 LOCK WASHER	2
4.2	308-67-00-195-B	BOTTOM COUPLING ELBOW PC	1	26	R07804	7/16 LOCK WASHER	6
4.3	308-67-00-194	BARBED ELBOW END	1	27	R07805	1/2 LOCK WASHER	6
4.4	244-08-00-307	CLAMP RING	1	28	R09501	SLOW MOVING VEHICLE DECAL	1

VALVE KIT - 6"

6" VALVE KIT
308-46-00-000

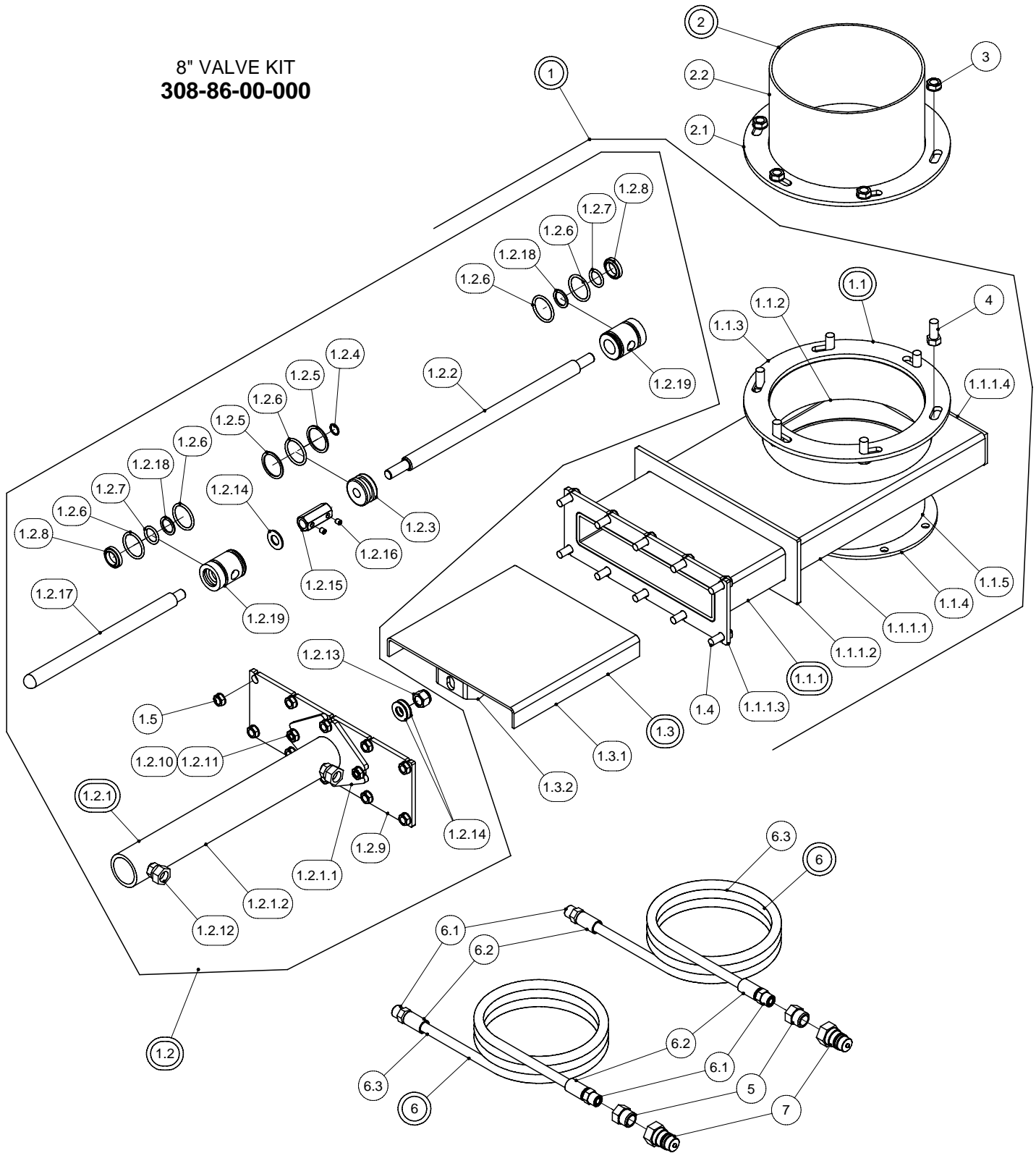


VALVE KIT - 6"

PARTS LIST				PARTS LIST			
ITEM	PART NUMBER	DESCRIPTION	QTY	ITEM	PART NUMBER	DESCRIPTION	QTY
1	308-49-00-000	VALVE w/ INDICATOR ROD ASSY	1	1.2.16	R20867	BACKUP RING #8-218	2
1.1	308-49-02-000	VALVE BODY ASSY	1	1.2.17	R07906	5/16 x 3/8" SET SCREW	2
1.1.1	250-79-35-189	VALVE HOUSING	1	1.2.18	R07721	3/8 x 1 UNC CARRIAGE BOLT	2
1.1.2	275-01-02-012	VALVE FLANGE	1	1.2.19	R07794	3/8-16 UNC FLANGE NUT	2
1.1.3	275-01-02-062	VALVE END CAP	1	1.3	275-17-00-000	VALVE GATE ASSY	1
1.1.4	308-49-02-144	VALVE EXTENSION PIPE - SHORT	1	1.3.1	275-17-00-080	VALVE GATE	1
1.1.5	308-49-02-143	VALVE EXTENSION PIPE	1	1.3.2	275-17-00-081	VALVE GATE BRACKET	1
1.1.6	308-49-02-145	FLANGE	2	1.4	R07619	3/8 x 1 UNC HEX BOLT	4
1.2	308-49-03-000	CYL & INDICATOR ROD ASSY	1	1.5	R07675	3/8 x 1 1/4 UNC HEX BOLT	4
1.2.1	308-49-01-000	CYLINDER TUBE ASSY	1	1.6	R07794	3/8-16 UNC FLANGE NUT	8
1.2.1.1	296-39-01-122	HYDRAULIC CYL TUBE FLANGE	1	2	308-69-00-000	VALVE EXTENSION PIPE ASSY	1
1.2.1.2	308-49-01-275	CYLINDER TUBE	1	2.1	364-01-03-376	DISCHARGE RING	1
1.2.2	296-39-00-123	CYLINDER FLANGE	1	2.2	364-01-03-063	DISCHARGE TUBE	1
1.2.3	340-36-00-434	WIPER BLOCK	2	2.3	308-49-02-145	FLANGE	1
1.2.4	340-36-00-435	CYLINDER PLUNGER	1	3	308-46-14-000	FLANGE ASSY	1
1.2.5	250-70-00-158	HYDRAULIC CYLINDER SHAFT	1	3.1	308-46-14-135	FLANGE	1
1.2.6	R07825	1/2 FLAT WASHER	1	3.2	308-46-14-136	FLANGE TUBE	1
1.2.7	R21287	1/4M x 3/8 SWIVEL ADAPTER	2	4	242-35-00-000	HYDRAULIC HOSE ASSY	2
1.2.8	307-36-00-099	INDICATOR ROD	1	4.1	R20803	3/8 - 16 NPT SOLID MALE STEM	2
1.2.9	340-50-00-469	SHAFT CONNECTOR	1	4.2	R21235	STEEL FERRULE - 1/4" MEGAFLEX HOSE	2
1.2.10	R08221	7/16 SS FLAT WASHER	2	4.3	242-35-00-159	HYDRAULIC HOSE - 14000L	1
1.2.11	R08229	1/2" S.S. NYLOC HEX NUT	1	5	R21342	1/2" MALE PIONEER TIP	2
1.2.12	R20862	3/4" BACKUP #210	2	6	R02043	BUSHING 1/2 x 3/8	2
1.2.13	R20771	O-RING #11-210	2	7	R07674	1/2 x 1 1/4 UNC HEX BOLT	8
1.2.14	R20774	3/4" HYTREL ROD WIPER 52-750	2	8	R07805	1/2" LOCK WASHER	8
1.2.15	R20866	O-RING #11-218	5	9	R07785	1/2-13 UNC HEX NUT	8

VALVE KIT - 8"

8" VALVE KIT
308-86-00-000



VALVE KIT - 8"

PARTS LIST				PARTS LIST			
ITEM	PART NUMBER	DESCRIPTION	QTY	ITEM	PART NUMBER	DESCRIPTION	QTY
1	308-86-05-000	8" VALVE W/INDICATOR VALVE KIT	1	1.2.14	R08222	1/2" SAE S.S. FLAT WASHER	3
1.1	308-86-02-000	VALVE BODY ASSY W/FLANGES	1	1.2.1.1	244-26-01-344	CYLINDER TUBE FLANGE	1
1.1.1	244-14-01-000	VALVE BODY ASSY	1	1.2.1.2	308-86-03-250	HYD CYLINDER TUBE	1
1.1.1.1	244-14-01-323	VALVE BODY	1	1.2.15	340-50-00-469	SHAFT CONNECTOR	1
1.1.1.2	244-14-01-324	VALVE BODY SUPPORT	1	1.2.16	R07906	5/16 x 3/8" SET SCREW	2
1.1.1.3	242-97-00-231	VALVE INNER FLANGE	1	1.2.17	308-86-01-249	HYDRAULIC INDICATOR ROD	1
1.1.1.4	242-97-00-230	VALVE END CAP	1	1.2.18	R20862	3/4" BACKUP #210	2
1.1.2	308-86-02-247	UPPER EXTENSION PIPE	1	1.2.19	340-36-00-434	WIPER BLOCK	2
1.1.3	358-92-02-306	8" DISCHARGE FLANGE	1	1.3	242-36-42-000	VALVE GATE ASSY	1
1.1.4	358-92-01-301	8" HOUSING DISCHARGE RING	1	1.3.1	242-36-42-268	VALVE GATE	1
1.1.5	308-86-02-248	LOWER EXTENSION PIPE	1	1.3.2	242-36-42-269	VALVE GATE BRKT	1
1.2	308-86-01-000	CYL & INDICATOR ROD ASSY	1	1.4	R07619	3/8 x 1 HEX BOLT	10
1.2.1	308-86-03-000	HYDRAULIC CYLINDER TUBE ASSY	1	1.5	R07794	3/8 FLANGE NUT	10
1.2.2	244-14-02-325	CYLINDER SHAFT	1	2	308-86-04-000	HOSE ADAPTOR TUBE	1
1.2.3	340-36-00-435	CYLINDER PLUNGER	1	2.1	358-92-02-306	8" DISCHARGE FLANGE	1
1.2.4	R20865	O-RING #11-014	1	2.2	308-86-04-257	HOSE ADAPTOR TUBE	1
1.2.5	R20867	BACKUP RING #8-218	2	3	R07879	7/16 FLANGE NUT	6
1.2.6	R20866	O-RING #11-218	5	4	R07628	7/16 x 1 HEX BOLT	6
1.2.7	R20771	O-RING #11-210	2	5	R02043	BUSHING 1/2 x 3/8	2
1.2.8	R20774	3/4" HYTREL ROD WIPER 52-750	2	6	242-35-00-000	HYDRAULIC HOSE ASSY	2
1.2.9	244-26-00-345	FLANGE	1	6.1	R20803	3/8 - 16 NPT SOLID MALE STEM	2
1.2.10	R07776	3/8" x 3/4" CARRIAGE BOLT	2	6.2	R21235	STEEL FERRULE - 1/4" MEGAFLEX	2
1.2.11	R07794	3/8 FLANGE NUT	2			HOSE	
1.2.12	R21287	1/4M x 3/8 SWIVEL ADAPTER	2	6.3	242-35-00-159	HYDRAULIC HOSE - 14000L	1
1.2.13	R08229	1/2" S.S. NYLOC HEX NUT	1	7	R21342	1/2" MALE PIONEER TIP	2

GUARANTEE

All Husky Farm Equipment manufactured by Husky Farm Equipment Limited is guaranteed. Guarantee covers all the replacement cost or repair of all parts said to be defective from manufacture. Guarantee also covers labour installing said parts, if installed at Husky Manufacturing plant. Time and use is the essence of the guarantee. If equipment is used on a private property for an individual's use, guarantee will be in effect for twelve months from date of invoice. If equipment is used for commercial use to do custom work for money then guarantee will be in effect for three months only from date of invoice.

EXEMPTIONS FROM GUARANTEE

Cost of transportation of equipment to or from Husky Farm Equipment Limited either by customer or by Husky's service staff or cost of mail or public transportation is not covered. Tires and electric or hydraulic motors are covered by manufacturer's warranty and although Husky may assist to get warranty, Husky will not be responsible other than that allowed by manufacturer's warranty. Items subject to normal wear from use not covered by guarantee if faulty part is simply worn.