

Office Copy

March 26, 1999 - 20 made

Oct 29/99 - 4 "

Feb 29/00 - 4 "

June 27/00 - 2 "

Feb 19/01 - 5 made

Aug 1/01 - 10 "

Aug 26/03 - 2 "

Dec 29 - 1 "

Apr 9/04 - 4 "

Date Purchased _____ Machine Serial No. _____

Options _____

PLEASE NOTE:

The key number system in this parts book is arranged as follows:

- 0 -- Key number with one circle denotes main assemblies
- Key Numbers not circled are individual parts.

Please order parts by number

HUSKY MANURE
REAR MOUNT SOIL INJECTOR

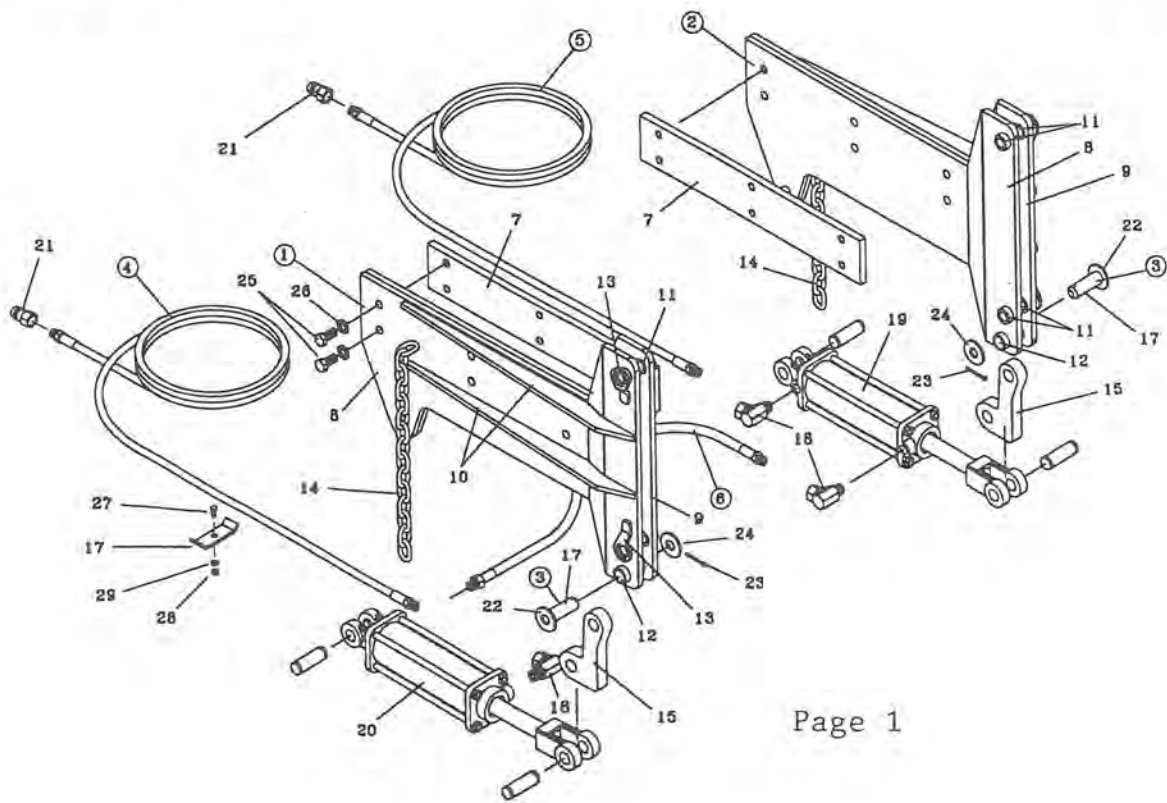
OPERATING INSTRUCTIONS:

Your Husky Rear Mounted Soil Injector is designed to open up the ground wide enough to pump in a stream of manure below the ground surface. Although it is a well built machine it is not indestructible and should be used with common sense.

1. Do not try to operate in very hard or stony ground.
2. Volume can be controlled by P.T.O. speeds and ground travel speed as well as how far you open valve.
3. Your P.T.O. shear pin will protect the injector pump. However, you should try and not inject foreign material, stones etc. Pump can be run at either 540 or 1000 r.p.m. with some tractors it may be necessary to stop P.T.O. or slow it down while turning to avoid shearing pins.
4. EXTREME DANGER - Never enter a dirty manure spreader or storage tank - one breath of hydrogen sulphide gas is enough to kill.

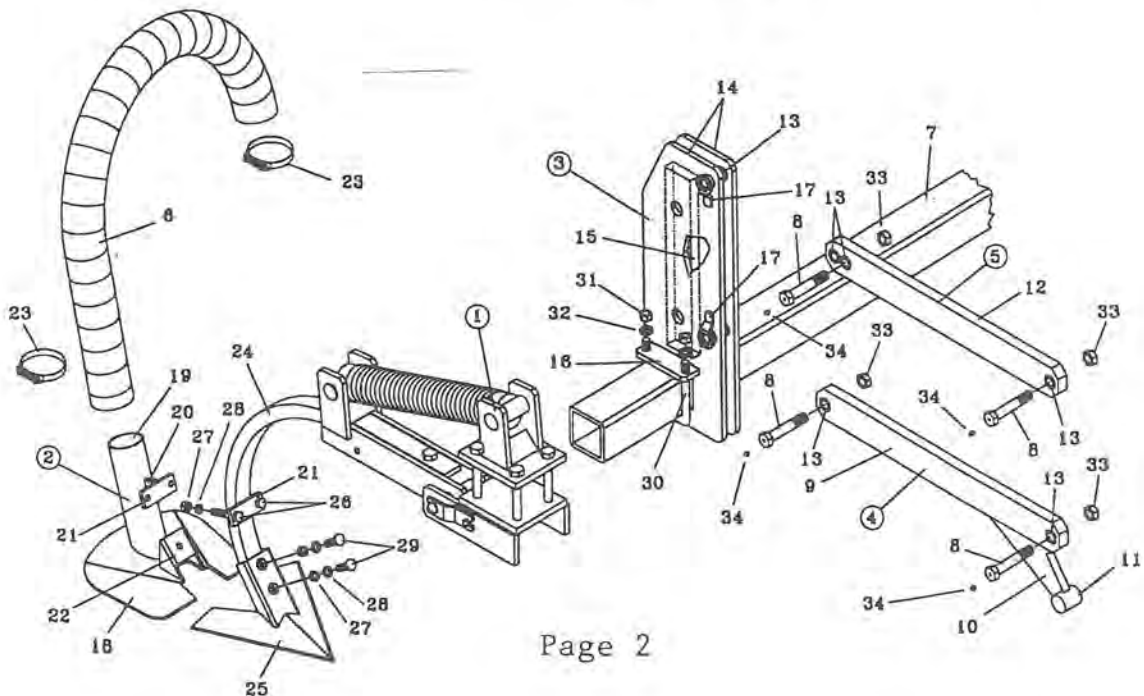
MOUNTING BRACKETS

<u>Keys</u>	<u>Parts Number</u>	<u>Description</u>	<u>Qty</u>
1	308-74-00-000	LH Mounting Bracket Assy	1
2	308-75-00-000	RH Mounting Bracket Assy	1
3	308-35-00-000	Cylinder Lug Pin Assy	2
4	308-37-00-000	Hyd Hose Assy - All Vacuum Spreaders	*
	308-28-00-000	Hyd Hose Assy - All Model 'E' & 'D' Spreaders	
5	308-29-00-000	Hyd Hose Assy - All Model 'E' & 'D' Spreaders	1
	308-36-00-000	Hyd Hose Assy - All Vacuum Spreaders	*
6	308-30-00-000	Hyd Hose Assy - All Spreaders Up To 15000L	1
		Hyd Hose Assy - All Spreaders 18000 & Up	1
7	308-00-00-043	Sill Bolt Plate	2
8	308-74-00-214	LH Mounting Bracket	2
9	308-74-00-215	Rh Mounting Bracket	2
10	308-74-00-216	Mounting Bracket Gusset	4
11	308-57-00-165	Hardened Bushings	8
12	308-14-00-037	Bushing	4
13	308-73-00-213	Bolt Stop	4
14	308-14-00-039	Safety Chain	2
15	308-00-00-077	Cylinder Lug	2
16	308-35-00-108	Cylinder Lug Pin	2
17	351-00-00-009	Clamp	4
18	R20814	3/4 SAE x 1/2" NPT F 90 degree	3
19	R21507	32 PTR08 Phasing Cylinder	1
20	R21506	30 PTR08 Phasing Cylinder	1
21	R21342	Pioneer Ends	2
22	R07827	3/4" Flat Washer	2
23	R08013	3/16 x 2 Cotter Pin	2
24	R07828	1" Flat Washer	2
25	R07673	5/8 X 1 1/4 Hex Bolt	12
26	R07806	5/8 Lock Washer	12
27	R07675	3/8 x 1 1/4 Hex Bolt	4
28	R07783	3/8 Hex Nut	4
29	R07803	3/8 Lock Washer	4



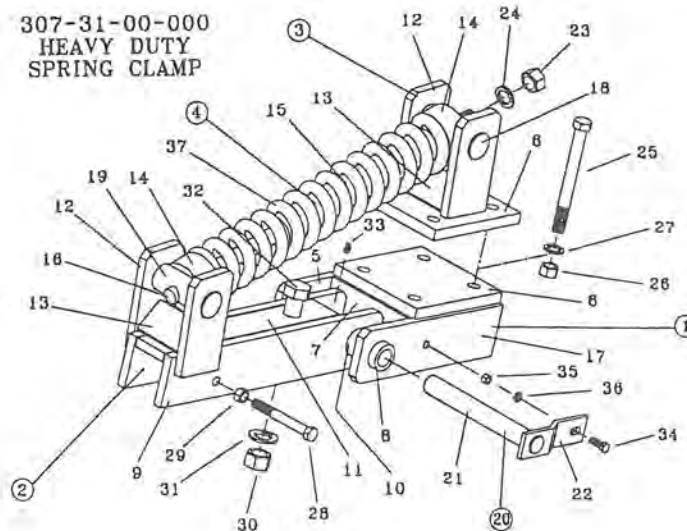
INJECTOR TUBES & TEETH

<u>Keys</u>	<u>Parts Number</u>	<u>Description</u>	<u>Qty</u>
1	307-31-00-000	Heavy Duty Spring Clamp Kit	4
2	308-83-00-000	Sweep Cover Up Assy	4
3	308-73-00-000	Upright Tube Holder Assy	2
4	308-16-00-000	Lower Lift Arm Assy	2
5	308-57-00-000	Upper Lift Arm Assy	2
6	308-00-00-148	Long Injector Hose	2
	308-00-00-149	Short Injector Hose	2
7	308-19-00-052	Tool Bar	1
8	308-00-00-166	3/4 x 4 1/2" Bushing Bolt	8
9	308-16-00-044	Lift Arm	2
10	308-16-00-045	Lug Bracket	2
11	308-16-00-046	Lug	2
12	308-57-00-164	Upper Lift Arm	2
13	308-57-00-165	Hardened Bushing	18
14	308-73-00-210	Tube Holder Upright	4
15	308-73-00-211	Upright Reinforcing Bar	2
16	308-73-00-212	'U' Bolt Plate	2
17	308-73-00-213	Bolt Stop	4
18	308-83-00-234	Sweep Cover Up	4
19	308-83-00-235	Hose Tube	4
20	308-83-00-236	Lug	4
21	308-83-00-237	Bolt Plate	8
22	308-83-00-238	Tooth Connector Plate	4
23	R02480	3" Clamp	8
24	R09563	1 1/4 x 2 x 26" Spring Tooth	4
25	R09553	12" Chisel Sweep (c/w Bolts)	4
26	R07640	1/2 x 2 1/2" Hex Bolt	8
27	R07785	1/2" Hex Nut	8
28	R07805	1/2" Lock Washer	8
29	R09561	1/2 - 13 UNC x 2 1/2 Plow Bolt	8
30	R08181	5/8 - 18 U Bolt x 6" Long	4
31	R07786	5/8" Hex Nut	8
32	R07806	5/8" Lock Washer	8
33	R07878	3/4" - 10 UNC Nyloc Hex Nut	4
34	R08182	1/4 - 28 UNF Grease Fitting	4



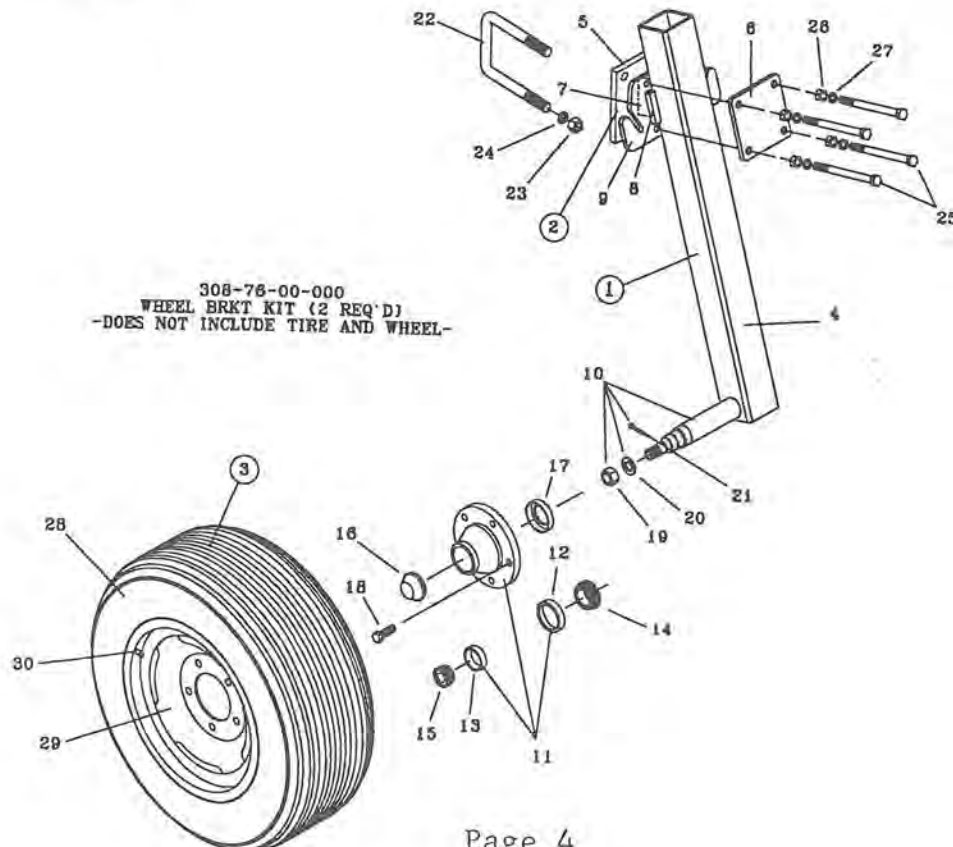
HEAVY DUTY SPRING CLAMP

<u>Keys</u>	<u>Parts Number</u>	<u>Description</u>	<u>Qty</u>
1	307-31-09-000	Main Brkt Assy.	1
2	307-31-10-000	Lower Brkt Assy.	1
3	307-31-11-000	Bolt Plate Assy.	1
4	307-31-12-000	Shaft Guide Assy.	1
5	307-31-09-069	Pivot Brkt	2
6	307-31-09-070	Bolt Plate	2
7	307-31-09-071	Spacer Bar	1
8	307-31-09-072	Outer Bushing	2
9	307-31-10-073	Lower Brkt	2
10	307-31-10-074	Inner Bushing	1
11	307-31-10-075	Lower Brkt Spacer Bar	1
12	307-31-10-076	Spring Pin Brkt	4
13	307-31-10-077	Angle Support	2
14	307-31-12-078	Spring Holder Block	2
15	307-31-12-079	Spring Shaft Guide	1
16	307-31-00-080	Spring Shaft	1
17	307-31-09-134	Pivot Brkt w/Hole	1
18	307-31-00-082	Upper Cross Pin	1
19	307-31-00-083	Lower Cross Pin	1
20	307-31-31-000	Pivot Shaft Assy.	1
21	307-31-31-132	Pivot Shaft	1
22	307-31-31-133	Pivot Shaft Brkt	1
23	R07881	3/4" Lock Nut	1
24	R07827	3/4" Flat Washer	1
25	R07653	5/8 x 6 Hex Bolt	1
26	R07786	5/8 Hex Nut	1
27	R07806	5/8 Lock Washer	1
28	R07643	1/2 x 4 Hex Bolt	1
29	R07885	1/2" Lock Nut	1
30	R07789	7/8 Hex Nut	1
31	R07809	7/8 Lock Washer	1
32	R07691	7/8 x 3 Hex Bolt	1
33	R08183	1/4-28 UNF Straight Grease Fitting	1
34	R07675	3/8 x 1 1/4 Hex Bolt	1
35	R07783	3/8 Hex Nut	1
36	R07803	3/8 Lock Washer	1
37	R08029	Spring	1



BRACKET AND WHEEL SUPPORT KIT

<u>Keys</u>	<u>Parts Number</u>	<u>Description</u>	<u>Qty</u>
1	308-76-01-000	Spindle Tube Assy	2
2	308-76-02-000	Angled Mounting Bracket Assy	2
3	308-84-00-000	20.5/8.0 Tire & Wheel Assy	2
4	308-76-01-217	Spindle Tube	2
5	308-76-02-219	Large Mount Plate	2
6	308-76-00-220	Small Mount Plate	2
7	308-76-02-221	Spacer Tube	2
8	308-76-02-222	Guide Bar	4
9	308-76-02-223	Mount Plate with Chain Bracket	2
10	R22085	Spindle with Nut, Washer and Cotter	2
11	R22079	5 Bolt Hub with Cups	2
12	R22080	Inner Cup L6811	2
13	R20132	Outer Cup	2
14	R22081	Inner Cone L68149	2
15	R22082	Outer Cone L44649	2
16	R22083	D-1000 Dust Cap	2
17	R22084	CR-17415 Seal	2
18	R22088	1/2-20 x 1 9/16 Wheel Bolt	10
19	R20136	Spindle Nut	2
20	R20154	Spindle Washer	2
21	R08011	Cotter Pin	2
22	R08181	5/8 - 18 U-Bolt 4 1/16 x 6" Long	4
23	R07786	5/8 Hex Nut	8
24	R07806	5/8 Lock Washer	8
25	R07644	1/2 x 5 Hex Bolt	8
26	R07785	1/2" Hex Nut	8
27	R07805	1/2" Lock Washer	8
28	R22086	20.5 X 8-10 Tubeless Tire	2
29	R22087	10 x 6 x 440 Wheel	2
30	R20020	Valve Stem	2

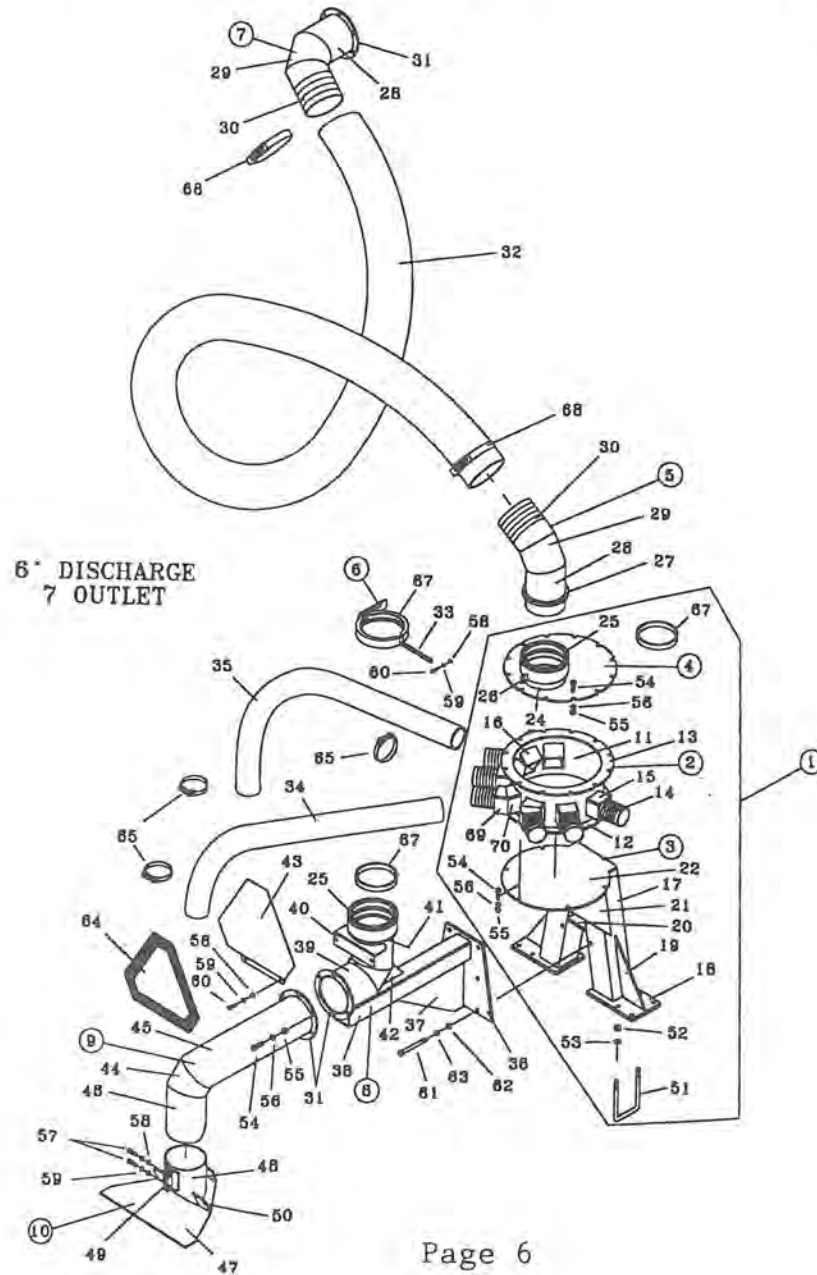


SPLASH PLATE - 6" DISCHARGE, 7 OUTLET

<u>Keys</u>	<u>Parts Number</u>	<u>Description</u>	<u>Qty</u>
1	308-79-00-000	7 Outlet Cannister Kit - 6" Hose	1
2	308-79-01-000	7 Outlet Cannister Assy	1
3	308-62-02-000	Double Leg Stand Assy	1
4	308-62-03-000	6" Inlet Assy	1
5	308-60-00-000	Elbow & Ring Assy	1
6	250-97-00-000	Clamp & Chain Assy	1
7	308-61-00-000	Top Elbow with Barbed End Assy	1
8	308-77-00-000	Discharge Extension Tube Assy	1
9	364-25-00-000	Discharge Pipe End Section Assy	1
10	364-68-00-000	Splash Plate Assy	1
11	308-79-01-229	7 Outlet Cannister	1
12	308-62-01-177	Cannister Bottom	1
13	308-62-01-197	Flange	1
14	308-62-01-199	Half Barbed Connector	7
15	308-62-01-179	Deflector Tube	3
16	308-62-01-178	Inside Deflector	7
17	308-62-02-183	Cannister Leg	2
18	308-62-02-185	Upper Clamp Plate	2
19	308-62-02-187	Gusset	2
20	308-62-02-200	Brace Plate	1
21	308-62-02-208	Side Gusset	2
22	308-62-02-207	Leg Stand Top Piece	1
23	308-62-03-176	Top Cover	1
24	308-62-01-182	Top Extension Pipe	1
25	250-96-01-296	Coupling Base Tube	1
26	250-96-00-298	Chain Lug	1
27	250-95-00-295	Clamping Ring	1
28	308-60-00-172	Elbow Base Piece	2
29	308-60-00-173	Elbow Middle Piece	2
30	308-60-00-174	Barbed Elbow End	2
31	364-19-00-087	Pipe Flange	3
32	308-00-00-150	Discharge Hose - 6"	1
33	250-97-00-297	Clamp Chain	1
34	308-00-00-137	Short Injector Hose - 3"	3
35	308-00-00-138	Long Injector Hose - 3"	4
36	308-62-02-184	Back Plate Bracket	1
37	308-54-00-155	Gusset	1
38	308-77-00-224	Support Tube	1
39	308-77-00-225	Discharge Pipe	1
40	308-77-00-226	Smv Sign Holder	1
41	308-59-00-171	Base Ring	1
42	308-77-00-227	Gusset	1
43	200-00-00-132	SMV Holder	1
44	364-19-00-082	Discharge Pipe Corner Piece	1
45	364-25-00-088	Discharge Pipe Flange Piece	1
46	364-25-00-067	Discharge Pipe End Piece	1
47	364-21-00-069	Splash Plate	1
48	364-68-00-215	Clamping Tube	1
49	364-21-00-071	Clamping Tube Bracket	2
50	364-21-00-224	Splash Plate Wing	2
51	R08181	5/8 - 18 UNF U-Bolt	4
52	R07816	5/8 - 18 UNF Hex Nut	8

SPLASH PLATE - 6" DISCHARGE, 7 OUTLET CONTINUED

<u>Keys</u>	<u>Parts Number</u>	<u>Description</u>	<u>Qty</u>
53	R07806	5/8 Lock Washer	8
54	R07671	7/16 x 1 1/4 Hex Bolt	23
55	R07784	7/16 Hex Nuts	23
56	R07804	7/16 Lock Washer	23
57	R07622	3/8 x 2 1/2 Hex Bolt	2
58	R07783	3/8 Hex Nut	5
59	R07803	3/8 Lock Washer	5
60	R07619	3/8 X 1 Hex Bolt	3
61	R07644	1/2 x 5" Hex Bolt	6
62	R07785	1/2" Hex Nut	6
63	R07805	1/2" Lock Washer	6
64	R09501	Slow Moving Vehicle Sign	1
65	R02480	3" Super Clamp	14
66	R02366	6" Gasket	2
67	R02487	6" Ring Lock Clamp	1
68	R02843	6" Spiral Clamp	2
69	308-62-01-181	Short Angle Tube	4
70	308-62-01-180	Angled Deflector Tube	4

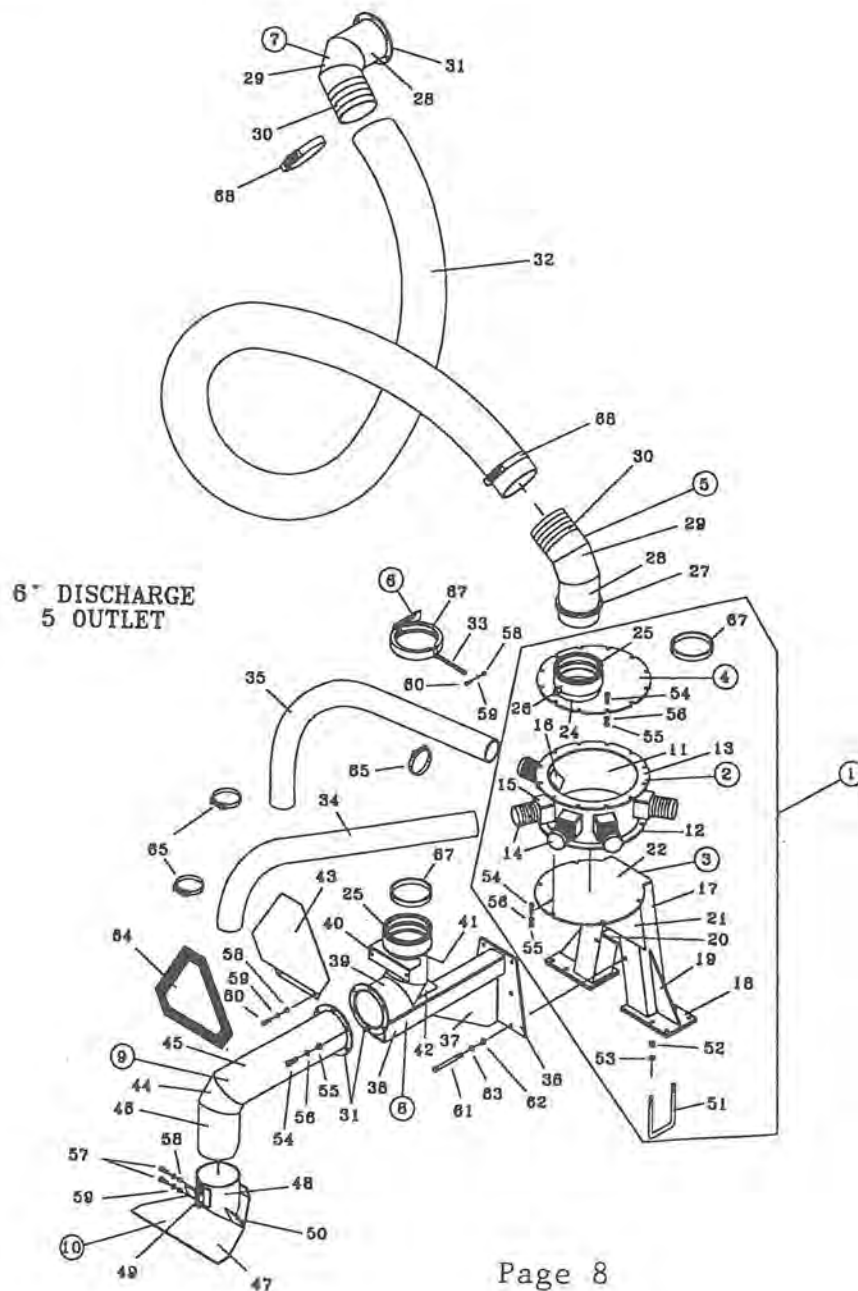


SPLASH PLATE - 6" DISCHARGE, 5 OUTLET

<u>Keys</u>	<u>Parts Number</u>	<u>Description</u>	<u>Qty</u>
1	308-70-00-000	5 Outlet Cannister Kit - 6" Hose	1
2	308-70-01-000	5 Oultet Cannister Assy	1
3	308-62-02-000	Double Leg Stand Assy	1
4	308-62-03-000	6" Inlet Assy	1
5	308-60-00-000	Elbow & Ring Assy	1
6	250-97-00-000	Clamp & Chain Assy	1
7	308-61-00-000	Top Elbow w/Barbed End Assy	1
8	308-77-00-000	Discharge Extension Tube Assy	1
9	364-25-00-000	Discharge Pipe End Section Assy	1
10	364-68-00-000	Splash Plate Assy	1
11	308-70-01-204	5 Oultet Cannister	1
12	308-62-01-177	Cannister Bottom	1
13	308-62-01-197	Flange	1
14	308-62-01-199	Half Barbed Connector	5
15	308-62-01-179	Deflector Tube	5
16	308-62-01-178	Inside Deflector	5
17	308-62-02-183	Cannister Leg	2
18	308-62-02-185	Upper Clamp Plate	2
19	308-62-02-187	Gusset	2
20	308-62-02-200	Brace Plate	1
21	308-62-02-208	Side Gusset	2
22	308-62-02-207	Leg Stand Top Piece	1
23	308-62-03-176	Top Cover	1
24	308-62-01-182	Top Extension Pipe	1
25	250-96-01-296	Coupling Base Tube	1
26	250-96-00-298	Chain Lug	1
27	250-95-00-295	Clamping Ring	1
28	308-60-00-172	Elbow Base Piece	2
29	308-60-00-173	Elbow Middle Piece	2
30	308-60-00-174	Barbed Elbow End	2
31	364-19-00-087	Pipe Flange	3
32	308-00-00-150	Discharge Hose - 6"	1
33	250-97-00-297	Clamp Chain	1
34	308-00-00-137	Short Injector Hose - 3"	2
35	308-00-00-138	Long Injector Hose - 3"	3
36	308-62-02-184	Back Plate Bracket	1
37	308-54-00-155	Gusset	1
38	308-77-00-224	Support Tube	1
39	308-77-00-225	Discharge Pipe	1
40	308-77-00-226	Smv Sign Holder	1
41	308-59-00-171	Base Ring	1
42	308-77-00-227	Gusset	1
43	200-00-00-132	SMV Holder	1
44	364-19-00-082	Discharge Pipe Corner Piece	1
45	364-25-00-088	Discharge Pipe Flange Piece	1
46	364-25-00-067	Discharge Pipe End Piece	1
47	364-21-00-069	Splash Plate	1
48	364-68-00-215	Clamping Tube	1
49	364-21-00-071	Clamping Tube Bracket	2
50	364-21-00-224	Splash Plate Wing	2
51	R08181	5/8 - 18 UNF U-Bolt	4
52	R07816	5/8 - 18 UNF Hex Nut	8

SPLASH PLATE - 6" DISCHARGE, 5 OUTLET CONTINUED

<u>Keys</u>	<u>Parts Number</u>	<u>Description</u>	<u>Qty</u>
53	R07806	5/8 Lock Washer	8
54	R07671	7/16 x 1 1/4 Hex Bolt	23
55	R07784	7/16 Hex Nuts	23
56	R07804	7/16 Lock Washer	23
57	R07622	3/8 x 2 1/2 Hex Bolt	2
58	R07783	3/8 Hex Nut	5
59	R07803	3/8 Lock Washer	5
60	R07619	3/8 X 1 Hex Bolt	3
61	R07644	1/2 x 5" Hex Bolt	6
62	R07785	1/2" Hex Nut	6
63	R07805	1/2" Lock Washer	6
64	R09501	Slow Moving Vehicle Sign	1
65	R02480	3" Super Clamp	10
66	R02366	6" Gasket	2
67	R02487	6" Ring Lock Clamp	1
68	R02843	6" Spiral Clamp	2

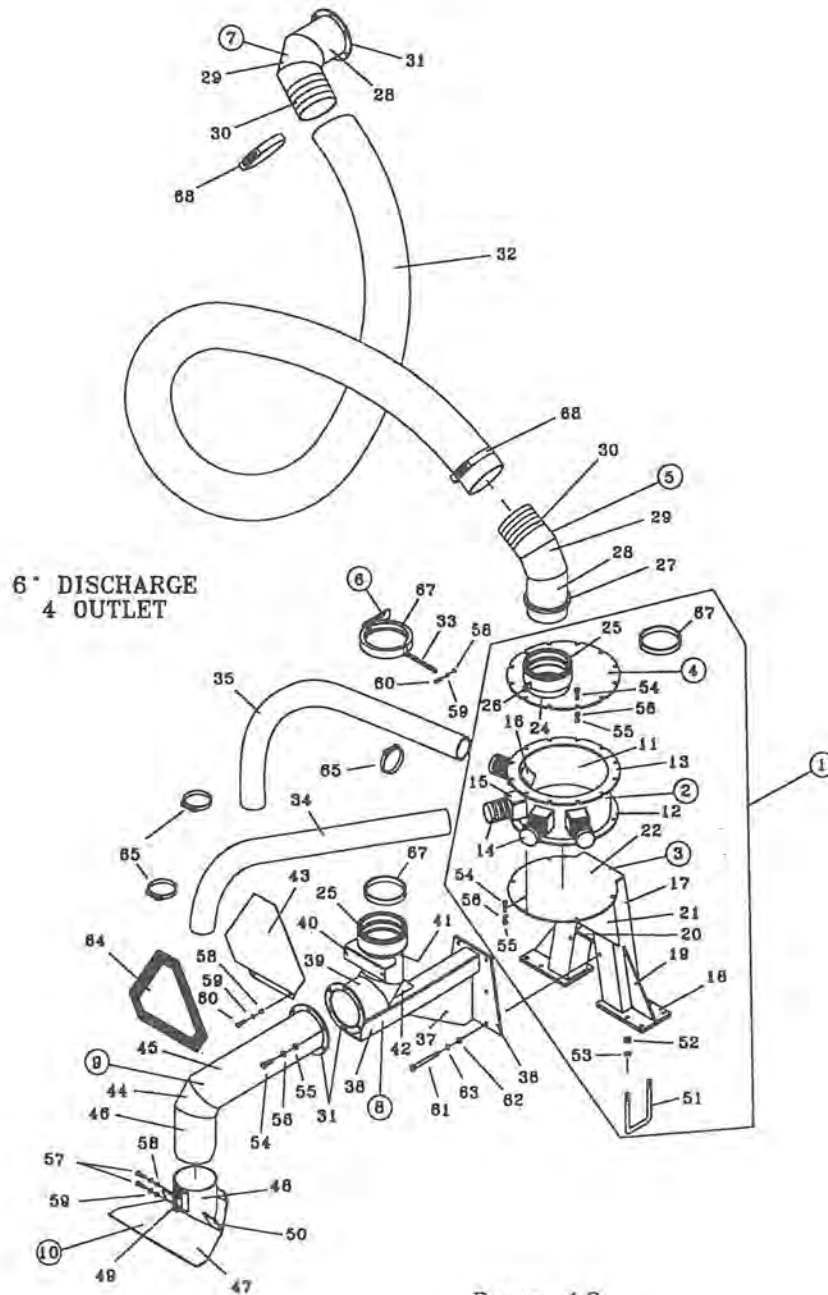


SPLASH PLATE - 6" DISCHARGE, 4 OUTLET

<u>Keys</u>	<u>Parts Number</u>	<u>Description</u>	<u>Qty</u>
1	308-78-00-000	4 Outlet Cannister Kit - 6" Hose	1
2	308-78-01-000	4 Outlet Cannister Assy	1
3	308-62-02-000	Double Leg Stand Assy	1
4	308-62-03-000	6" Inlet Assy	1
5	308-60-00-000	Elbow & Ring Assy	1
6	250-97-00-000	Clamp & Chain Assy	1
7	308-61-00-000	Top Elbow with Barbed End Assy	1
8	308-77-00-000	Discharge Extension Tube Assy	1
9	364-25-00-000	Discharge Pipe End Section Assy	1
10	364-68-00-000	Splash Plate Assy	1
11	308-78-01-228	4 Outlet Cannister	1
12	308-62-01-177	Cannister Bottom	1
13	308-62-01-197	Flange	1
14	308-62-01-199	Half Barbed Connector	4
15	308-62-01-179	Deflector Tube	4
16	308-62-01-178	Inside Deflector	4
17	308-62-02-183	Cannister Leg	2
18	308-62-02-185	Upper Clamp Plate	2
19	308-62-02-187	Gusset	2
20	308-62-02-200	Brace Plate	1
21	308-62-02-208	Side Gusset	2
22	308-62-02-207	Leg Stand Top Piece	1
23	308-62-03-176	Top Cover	1
24	308-62-01-182	Top Extension Pipe	1
25	250-96-01-296	Coupling Base Tube	1
26	250-96-00-298	Chain Lug	1
27	250-95-00-295	Clamping Ring	1
28	308-60-00-172	Elbow Base Piece	2
29	308-60-00-173	Elbow Middle Piece	2
30	308-60-00-174	Barbed Elbow End	2
31	364-19-00-087	Pipe Flange	3
32	308-00-00-150	Discharge Hose - 6"	1
33	250-97-00-297	Clamp Chain	1
34	308-00-00-137	Short Injector Hose - 3"	2
35	308-00-00-138	Long Injector Hose - 3"	2
36	308-62-02-184	Back Plate Bracket	1
37	308-54-00-155	Gusset	1
38	308-77-00-224	Support Tube	1
39	308-77-00-225	Discharge Pipe	1
40	308-77-00-226	Smv Sign Holder	1
41	308-59-00-171	Base Ring	1
42	308-77-00-227	Gusset	1
43	200-00-00-132	SMV Holder	1
44	364-19-00-082	Discharge Pipe Corner Piece	1
45	364-25-00-088	Discharge Pipe Flange Piece	1
46	364-25-00-067	Discharge Pipe End Piece	1
47	364-21-00-069	Splash Plate	1
48	364-68-00-215	Clamping Tube	1
49	364-21-00-071	Clamping Tube Bracket	2
50	364-21-00-224	Splash Plate Wing	2
51	R08181	5/8 - 18 UNF U-Bolt	4
52	R07816	5/8 - 18 UNF Hex Nut	8

SPLASH PLATE - 6" DISCHARGE, 4 OUTLET CONTINUED

<u>Keys</u>	<u>Parts Number</u>	<u>Description</u>	<u>Qty</u>
53	R07806	5/8 Lock Washer	8
54	R07671	7/16 x 1 1/4 Hex Bolt	23
55	R07784	7/16 Hex Nuts	23
56	R07804	7/16 Lock Washer	23
57	R07622	3/8 x 2 1/2 Hex Bolt	2
58	R07783	3/8 Hex Nut	5
59	R07803	3/8 Lock Washer	5
60	R07619	3/8 X 1 Hex Bolt	3
61	R07644	1/2 x 5" Hex Bolt	6
62	R07785	1/2" Hex Nut	6
63	R07805	1/2" Lock Washer	6
64	R09501	Slow Moving Vehicle Sign	1
65	R02480	3" Super Clamp	8
66	R02366	6" Gasket	2
67	R02487	6" Ring Lock Clamp	1
68	R02843	6" Spiral Clamp	2

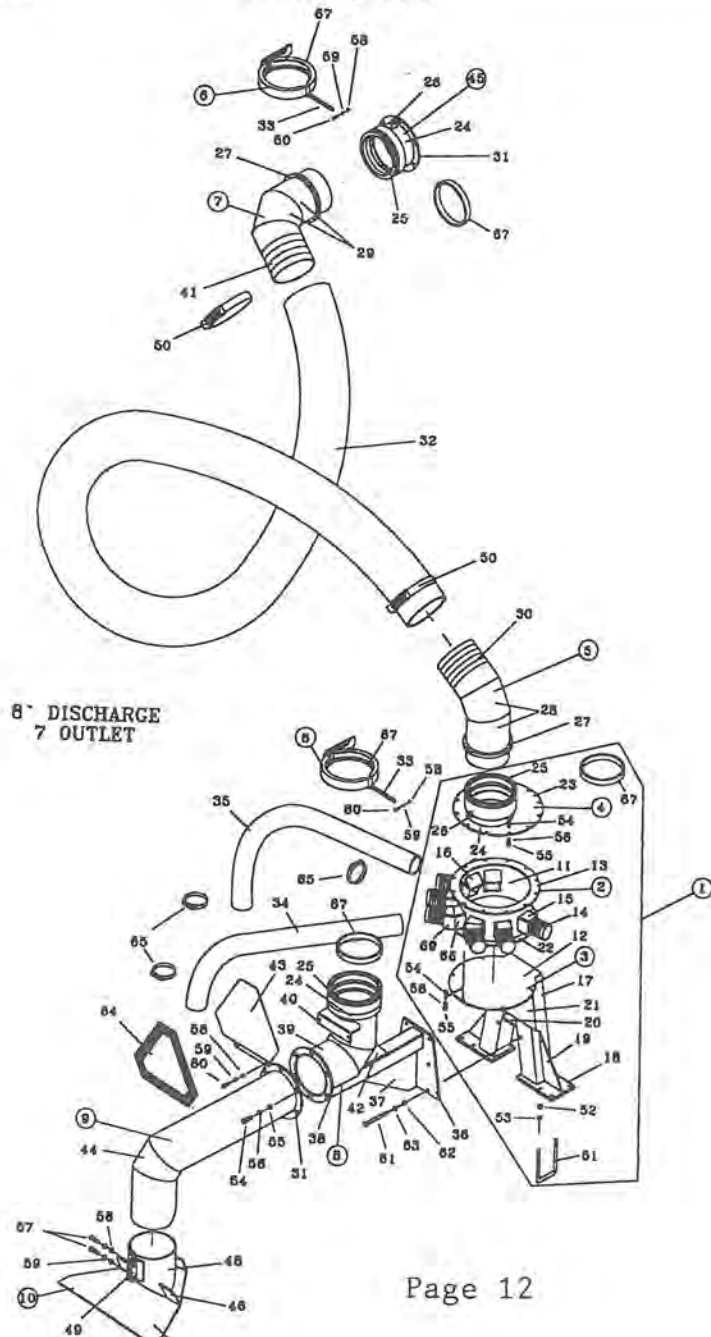


SPLASH PLATE - 8" DISCHARGE, 7 OUTLET

<u>Keys</u>	<u>Parts Number</u>	<u>Description</u>	<u>Qty</u>
1	308-63-00-000	7 Outlet Cannister Kit - 8" Hose	1
2	308-79-01-000	7 Outlet Cannister Assy	1
3	308-62-02-000	Double Leg Stand Assy	1
4	308-63-03-000	8" Inlet Assy	1
5	308-67-00-000	Elbow & Ring Assy	1
6	244-09-00-000	Clamp & Chain Assy	1
7	308-66-00-000	Top Elbow w/Barbed End Assy	1
8	308-82-00-000	Discharge Extension Tube Assy	1
9	358-92-03-000	Discharge Pipe End Section Assy	1
10	358-92-04-000	Splash Plate Assy	1
11	308-79-01-229	7 Outlet Cannister	1
12	308-62-01-177	Cannister Bottom	1
13	308-62-01-197	Flange	1
14	308-62-01-199	Half Barbed Connector	7
15	308-62-01-179	Deflector Tube	3
16	308-62-01-178	Inside Deflector	7
17	308-62-02-183	Cannister Leg	2
18	308-62-02-185	Upper Clamp Plate	2
19	308-62-02-187	Gusset	2
20	308-62-02-200	Brace Plate	1
21	308-62-02-208	Side Gusset	2
22	308-62-02-207	Leg Stand Top Piece	1
23	308-63-03-188	Top Cover	1
24	308-63-01-189	Top Extension Pipe	3
25	244-07-01-306	Coupling Base Tube	3
26	250-96-00-298	Chain Lug	1
27	244-08-00-307	Clamping Ring	1
28	308-67-00-195	Elbow Sections	1
29	308-66-00-193	Elbow Sections	1
30	308-67-00-194	Barbed Elbow End - Lower	1
31	364-19-00-087	Pipe Flange	3
32	308-00-00-196	Discharge Hose - 8"	1
33	250-97-00-297	Clamp Chain	1
34	308-00-00-137	Short Injector Hose - 3"	3
35	308-00-00-138	Long Injector Hose - 3"	4
36	308-62-02-184	Back Plate Bracket	1
37	308-54-00-155	Gusset	1
38	308-82-00-232	Support Tube	1
39	308-82-00-230	Discharge Pipe	1
40	308-82-00-231	Smv Sign Holder	1
41	308-66-00-192	Barbed Elbow End - Upper	1
42	308-82-00-233	Gusset	1
43	200-00-00-132	SMV Holder	1
44	358-92-03-307	Discharge Pipe	1
45	308-65-00-000	8" Coupling Base Assy	1
46	358-92-04-310	Splash Plate Wing	2
47	358-92-04-308	Splash Plate	1
48	358-92-04-309	Clamping Tube	1
49	358-92-04-311	Clamping Tube Bracket	2
50	R02844	8" Spiral Clamp	2
51	R08181	5/8 - 18 UNF U-Bolt	4
52	R07816	5/8 - 18 UNF Hex Nut	8

SPLASH PLATE - 8" DISCHARGE, 7 OUTLET CONTINUED

<u>Keys</u>	<u>Parts Number</u>	<u>Description</u>	<u>Qty</u>
53	R07806	5/8 Lock Washer	8
54	R07671	7/16 x 1 1/4 Hex Bolt	23
55	R07784	7/16 Hex Nuts	23
56	R07804	7/16 Lock Washer	23
57	R07622	3/8 x 2 1/2 Hex Bolt	2
58	R07783	3/8 Hex Nut	6
59	R07803	3/8 Lock Washer	6
60	R07619	3/8 X 1 Hex Bolt	4
61	R07644	1/2 x 5" Hex Bolt	6
62	R07785	1/2" Hex Nut	6
63	R07805	1/2" Lock Washer	6
64	R09501	Slow Moving Vehicle Sign	1
65	R02480	3" Super Clamp	14
66	R02360	8" Gasket	2
67	R02488	8" Ring Lock Clamp	1
68	308-62-01-180	Angled Deflector Tube	4
69	308-62-01-181	Short Angle Tube	4

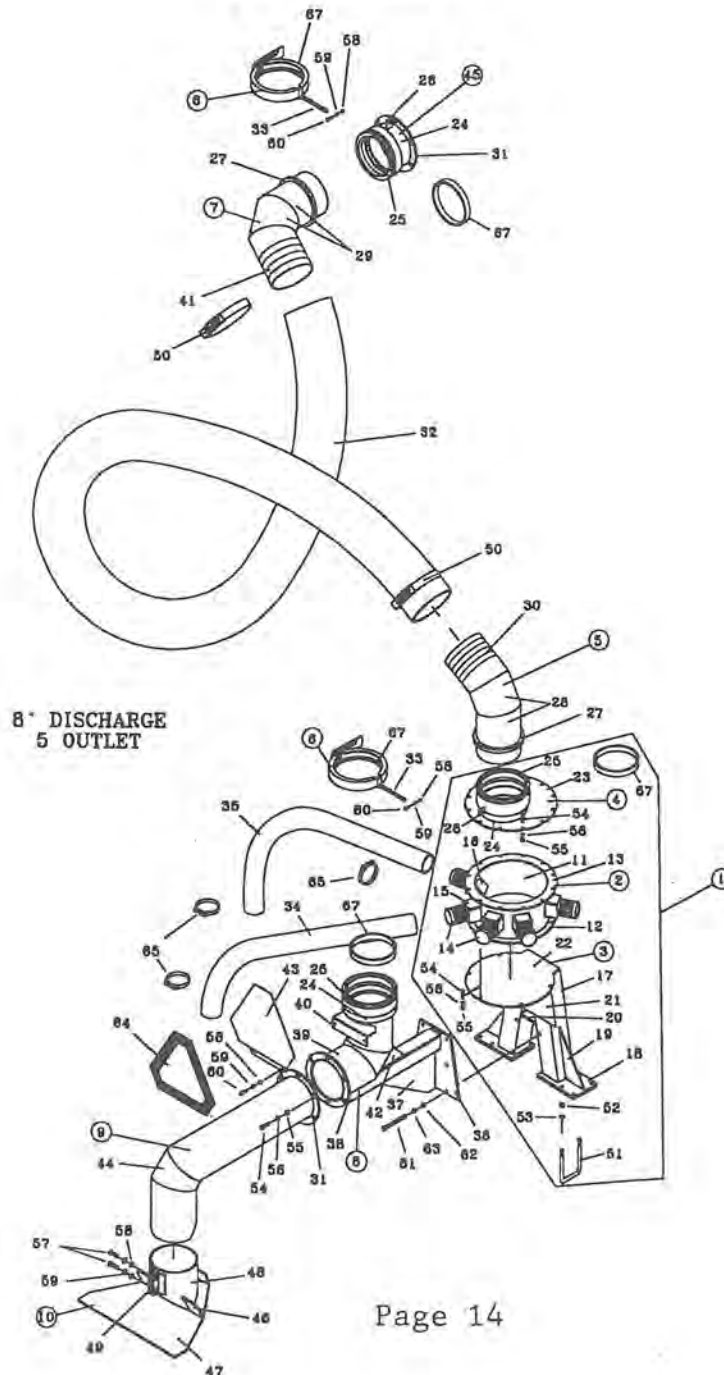


SPLASH PLATE - 8" DISCHARGE, 5 OUTLET

<u>Keys</u>	<u>Parts Number</u>	<u>Description</u>	<u>Qty</u>
1	308-80-00-000	5 Outlet Cannister Kit - 8" Hose	1
2	308-80-01-000	5 Outlet Cannister Assy	1
3	308-62-02-000	Double Leg Stand Assy	1
4	308-63-03-000	8" Inlet Assy	1
5	308-67-00-000	Elbow & Ring Assy	1
6	244-09-00-000	Clamp & Chain Assy	1
7	308-66-00-000	Top Elbow w/Barbed End Assy	1
8	308-82-00-000	Discharge Extension Tube Assy	1
9	358-92-03-000	Discharge Pipe End Section Assy	1
10	358-92-04-000	Splash Plate Assy	1
11	308-70-01-204	5 Outlet Cannister	1
12	308-62-01-177	Cannister Bottom	1
13	308-62-01-197	Flange	1
14	308-62-01-199	Half Barbed Connector	5
15	308-62-01-179	Deflector Tube	5
16	308-62-01-178	Inside Deflector	5
17	308-62-02-183	Cannister Leg	2
18	308-62-02-185	Upper Clamp Plate	2
19	308-62-02-187	Gusset	2
20	308-62-02-200	Brace Plate	1
21	308-62-02-208	Side Gusset	2
22	308-62-02-207	Leg Stand Top Piece	1
23	308-63-03-188	Top Cover	1
24	308-63-01-189	Top Extension Pipe	3
25	244-07-01-306	Coupling Base Tube	3
26	250-96-00-298	Chain Lug	1
27	244-08-00-307	Clamping Ring	1
28	308-67-00-195	Elbow Sections	1
29	308-66-00-193	Elbow Sections	1
30	308-67-00-194	Barbed Elbow End - Lower	1
31	364-19-00-087	Pipe Flange	3
32	308-00-00-196	Discharge Hose - 8"	1
33	250-97-00-297	Clamp Chain	1
34	308-00-00-137	Short Injector Hose - 3"	2
35	308-00-00-138	Long Injector Hose - 3"	3
36	308-62-02-184	Back Plate Bracket	1
37	308-54-00-155	Gusset	1
38	308-82-00-232	Support Tube	1
39	308-82-00-230	Discharge Pipe	1
40	308-82-00-231	Smv Sign Holder	1
41	308-66-00-192	Barbed Elbow End - Upper	1
42	308-82-00-233	Gusset	1
43	200-00-00-132	SMV Holder	1
44	358-92-03-307	Discharge Pipe	1
45	308-65-00-000	8" Coupling Base Assy	1
46	358-92-04-310	Splash Plate Wing	2
47	358-92-04-308	Splash Plate	1
48	358-92-04-309	Clamping Tube	1
49	358-92-04-311	Clamping Tube Bracket	2
50	R02844	8" Spiral Clamp	2
51	R08181	5/8 - 18 UNF U-Bolt	4
52	R07816	5/8 - 18 UNF Hex Nut	8

SPLASH PLATE - 8" DISCHARGE, 5 OUTLET CONTINUED

<u>Keys</u>	<u>Parts Number</u>	<u>Description</u>	<u>Qty</u>
53	R07806	5/8 Lock Washer	8
54	R07671	7/16 x 1 1/4 Hex Bolt	23
55	R07784	7/16 Hex Nuts	23
56	R07804	7/16 Lock Washer	23
57	R07622	3/8 x 2 1/2 Hex Bolt	2
58	R07783	3/8 Hex Nut	6
59	R07803	3/8 Lock Washer	6
60	R07619	3/8 X 1 Hex Bolt	4
61	R07644	1/2 x 5" Hex Bolt	6
62	R07785	1/2" Hex Nut	6
63	R07805	1/2" Lock Washer	6
64	R09501	Slow Moving Vehicle Sign	1
65	R02480	3" Super Clamp	10
66	R02360	8" Gasket	2
67	R02488	8" Ring Lock Clamp	1

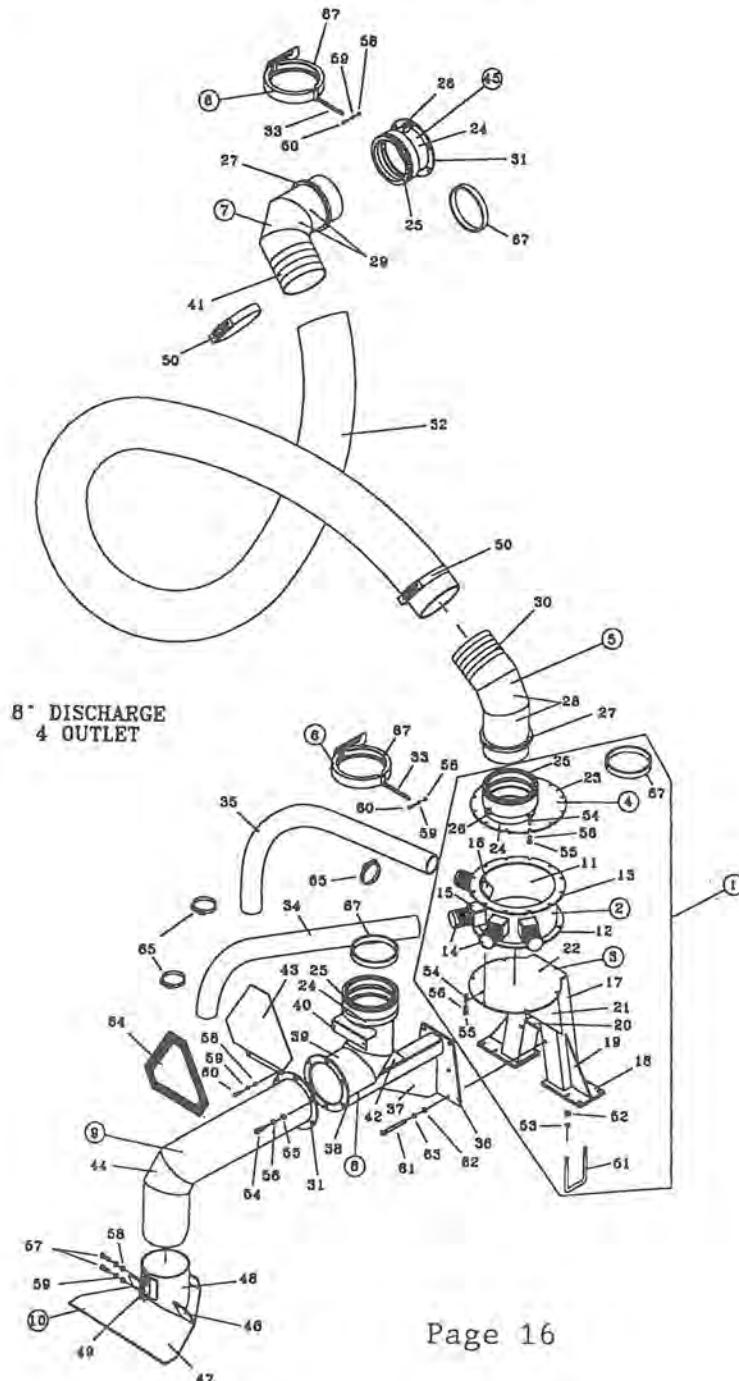


SPLASH PLATE - 8" DISCHARGE, 4 OUTLET

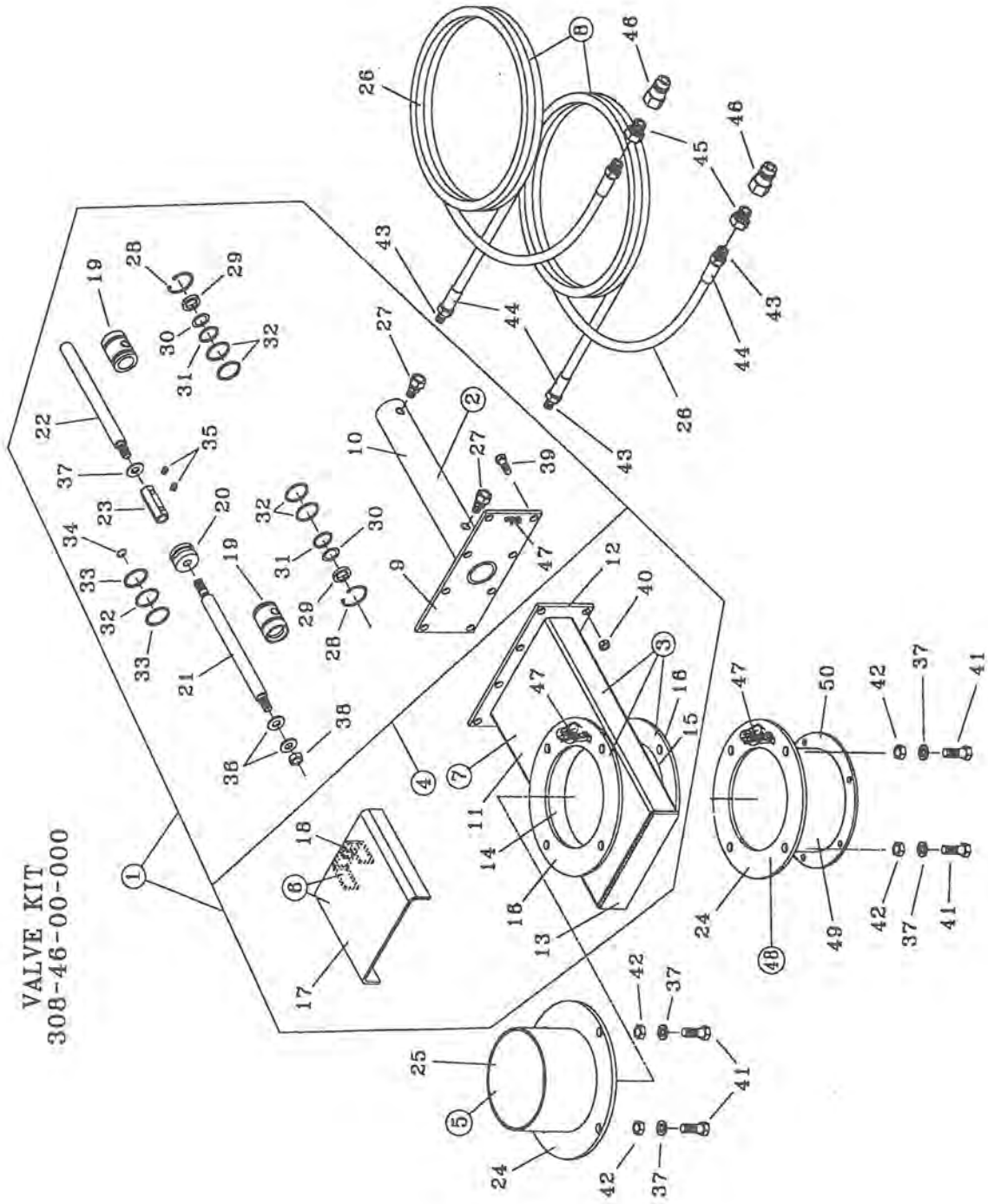
<u>Keys</u>	<u>Parts Number</u>	<u>Description</u>	<u>Qty</u>
1	308-81-00-000	4 Outlet Cannister Kit - 8" Hose	1
2	308-81-01-000	4 Outlet Cannister Assy	1
3	308-62-02-000	Double Leg Stand Assy	1
4	308-63-03-000	8" Inlet Assy	1
5	308-67-00-000	Elbow & Ring Assy	1
6	244-09-00-000	Clamp & Chain Assy	1
7	308-66-00-000	Top Elbow w/Barbed End Assy	1
8	308-82-00-000	Discharge Extension Tube Assy	1
9	358-92-03-000	Discharge Pipe End Section Assy	1
10	358-92-04-000	Splash Plate Assy	1
11	308-78-01-228	4 Outlet Cannister	1
12	308-62-01-177	Cannister Bottom	1
13	308-62-01-197	Flange	1
14	308-62-01-199	Half Barbed Connector	4
15	308-62-01-179	Deflector Tube	4
16	308-62-01-178	Inside Deflector	4
17	308-62-02-183	Cannister Leg	2
18	308-62-02-185	Upper Clamp Plate	2
19	308-62-02-187	Gusset	2
20	308-62-02-200	Brace Plate	1
21	308-62-02-208	Side Gusset	2
22	308-62-02-207	Leg Stand Top Piece	1
23	308-63-03-188	Top Cover	1
24	308-63-01-189	Top Extension Pipe	3
25	244-07-01-306	Coupling Base Tube	3
26	250-96-00-298	Chain Lug	1
27	244-08-00-307	Clamping Ring	1
28	308-67-00-195	Elbow Sections	1
29	308-66-00-193	Elbow Sections	1
30	308-67-00-194	Barbed Elbow End - Lower	1
31	364-19-00-087	Pipe Flange	3
32	308-00-00-196	Discharge Hose - 8"	1
33	250-97-00-297	Clamp Chain	1
34	308-00-00-137	Short Injector Hose - 3"	2
35	308-00-00-138	Long Ijector Hose - 3"	2
36	308-62-02-184	Back Plate Bracket	1
37	308-54-00-155	Gusset	1
38	308-82-00-232	Support Tube	1
39	308-82-00-230	Discharge Pipe	1
40	308-82-00-231	Smv Sign Holder	1
41	308-66-00-192	Barbed Elbow End - Upper	1
42	308-82-00-233	Gusset	1
43	200-00-00-132	SMV Holder	1
44	358-92-03-307	Discharge Pipe	1
45	308-65-00-000	8" Coupling Base Assy	1
46	358-92-04-310	Splash Plate Wing	2
47	358-92-04-308	Splash Plate	1
48	358-92-04-309	Clamping Tube	1
49	358-92-04-311	Clamping Tube Bracket	2
50	R02844	8" Spiral Clamp	2
51	R08181	5/8 - 18 UNF U-Bolt	4
52	R07816	5/8 - 18 UNF Hex Nut	8

SPLASH PLATE - 8" DISCHARGE, 4 OUTLET CONTINUED

<u>Keys</u>	<u>Parts Number</u>	<u>Description</u>	<u>Qty</u>
53	R07806	5/8 Lock Washer	8
54	R07671	7/16 x 1 1/4 Hex Bolt	23
55	R07784	7/16 Hex Nuts	23
56	R07804	7/16 Lock Washer	23
57	R07622	3/8 x 2 1/2 Hex Bolt	2
58	R07783	3/8 Hex Nut	6
59	R07803	3/8 Lock Washer	6
60	R07619	3/8 X 1 Hex Bolt	4
61	R07644	1/2 x 5" Hex Bolt	6
62	R07785	1/2" Hex Nut	6
63	R07805	1/2" Lock Washer	6
64	R09501	Slow Moving Vehicle Sign	1
65	R02480	3" Super Clamp	10
66	R02360	8" Gasket	2
67	R02488	8" Ring Lock Clamp	1



VALVE KIT
308-46-00-000



VALVE KIT

<u>Keys</u>	<u>Parts Number</u>	<u>Description</u>	<u>Qty</u>
1	308-49-00-000	Valve w/ Indicator Rod Assy.	1
2	308-49-01-000	Cylinder Tube & Flange Assy.	1
3	308-49-02-000	Valve Body Assy. w/Flanges	1
4	308-49-03-000	Cylinder & Indicator Rod Assy.	1
5	308-46-14-000	Flange Assy.	1
6	275-17-00-000	Valve Gate Assy.	1
7	250-79-35-000	Valve Body Assy.	1
8	307-20-00-000	Hydraulic Hose Assy.	2
9	275-01-09-093	Cylinder Flange	1
10	308-49-01-146	Cylinder Tube	1
11	250-79-35-189	Valve Housing	1
12	275-01-02-012	Valve Flange	1
13	275-01-02-062	Valve End Cap	1
14	308-49-02-143	Valve Extension Pipe	1
15	308-49-02-144	Valve Extension Pipe-short	1
16	308-49-02-145	Flange	2
17	275-17-00-080	Valve Gate	1
18	275-17-00-081	Valve Gate Brkt	1
19	340-36-00-434	Wiper Block	2
20	340-36-00-435	Cylinder Plunger	1
21	250-70-00-158	Cylinder Shaft	1
22	307-36-00-099	Indicator Rod	1
23	340-50-00-469	Shaft Connector	1
24	308-46-14-135	Flange	2
25	308-46-14-136	Flange Tube	1
26	307-20-00-059	Hydraulic Hose	2
27	R21287	1/4M x 3/8F Straight Swivel Adapter	2
28	R07967	Retaining Ring	2
29	R20774	Rod Wiper	2
30	R20862	Back Up #210	2
31	R20771	O Ring #11-210	2
32	R20866	O Ring #11-218	3
33	R20867	Back Up #8-218	2
34	R20865	O Ring #11-014	1
35	R07906	5/16 x 3/8 Set Screws	2
36	R08221	7/16" Sae Flat Washer	2
37	R07825	1/2" Flat Washer	9
38	R08228	7/16" 2 Way Lock Nut	1
39	R07619	3/8 x 1 Hex Bolt	8
40	R07794	3/8" Flange Nut	8
41	R07674	1/2 - 13 UNC x 1 1/4 Hex Bolt	8
42	R07785	1/2" Hex Nut	8
43	R20803	3/8 Solid Stem	4
44	R21231	Ferulle	4
45	R02043	1/2 x 3/8 Bushing	2
46	R21342	Pioneer Coupler	2
47	R04100	Silicone	1
48	308-69-00-000	Valve Extension Pipe Assembly	1
49	364-01-03-063	Extension Tube	1
50	364-01-03-376	Flange	1

