

Office Copy
May 30, 2003 - 22 made
Aug 26 - 7 "
Oct 3/03 - 6 "
Nov 4/03 - 7 "
Dec 29/03 - 3 "
Jan 30/04 - 6 "
Apr 9/04 - 10 "
Apr 20/04 - 8 "
June 3 - 6 "
Aug 24 - 9 "
Sep 30 - 8 "
Nov 19 - 7 "
Feb 4/05 - 9

Date Purchased _____ Machine Serial No. _____

Size of Pump _____ Options _____

PLEASE NOTE:

The key number system in this parts book is arranged as follows:

- -- Key numbers with one circle are individual parts.
- ⊙ -- Key numbers with two circles denotes main assemblies.

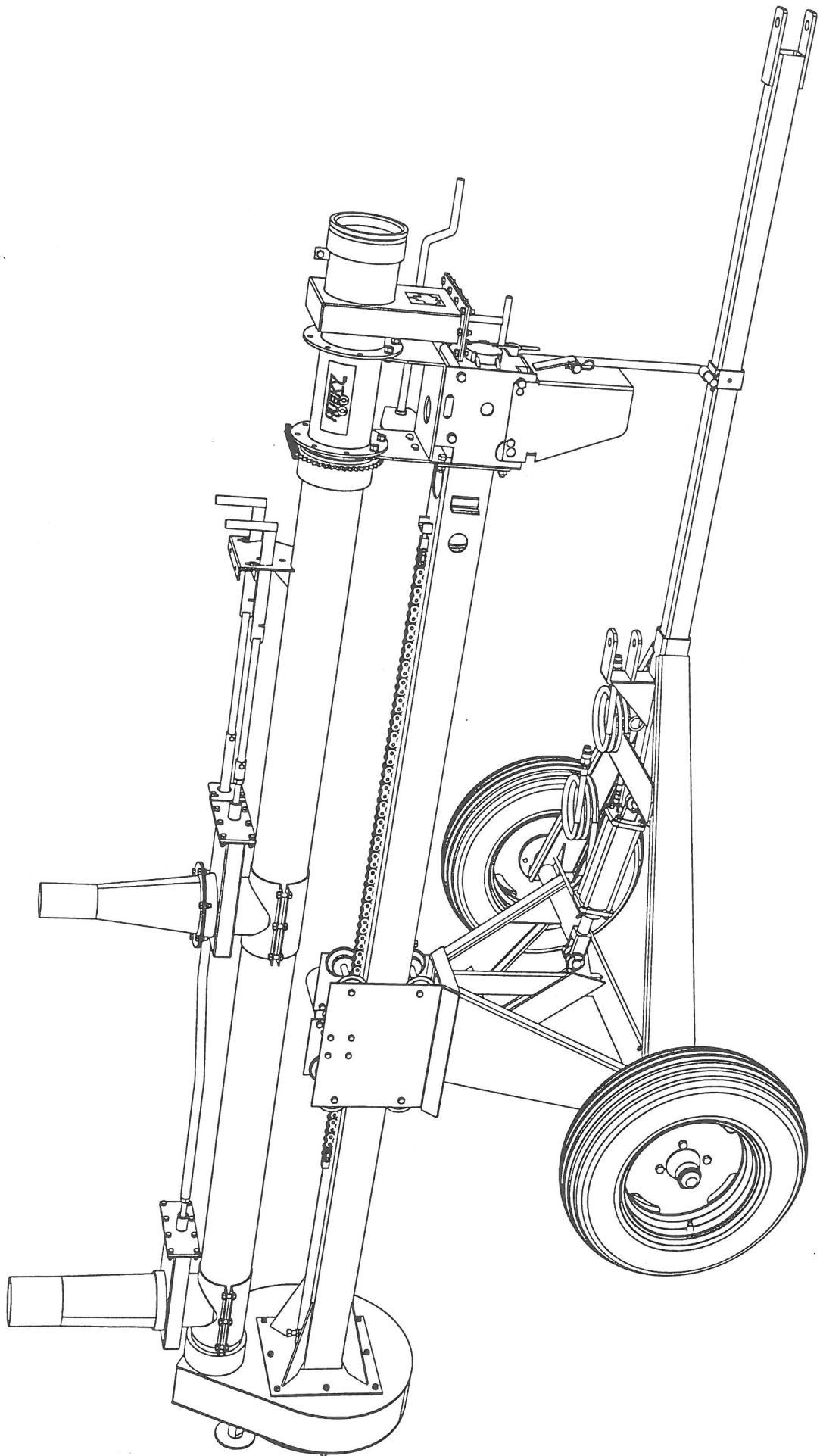
Please order parts by number

K 31

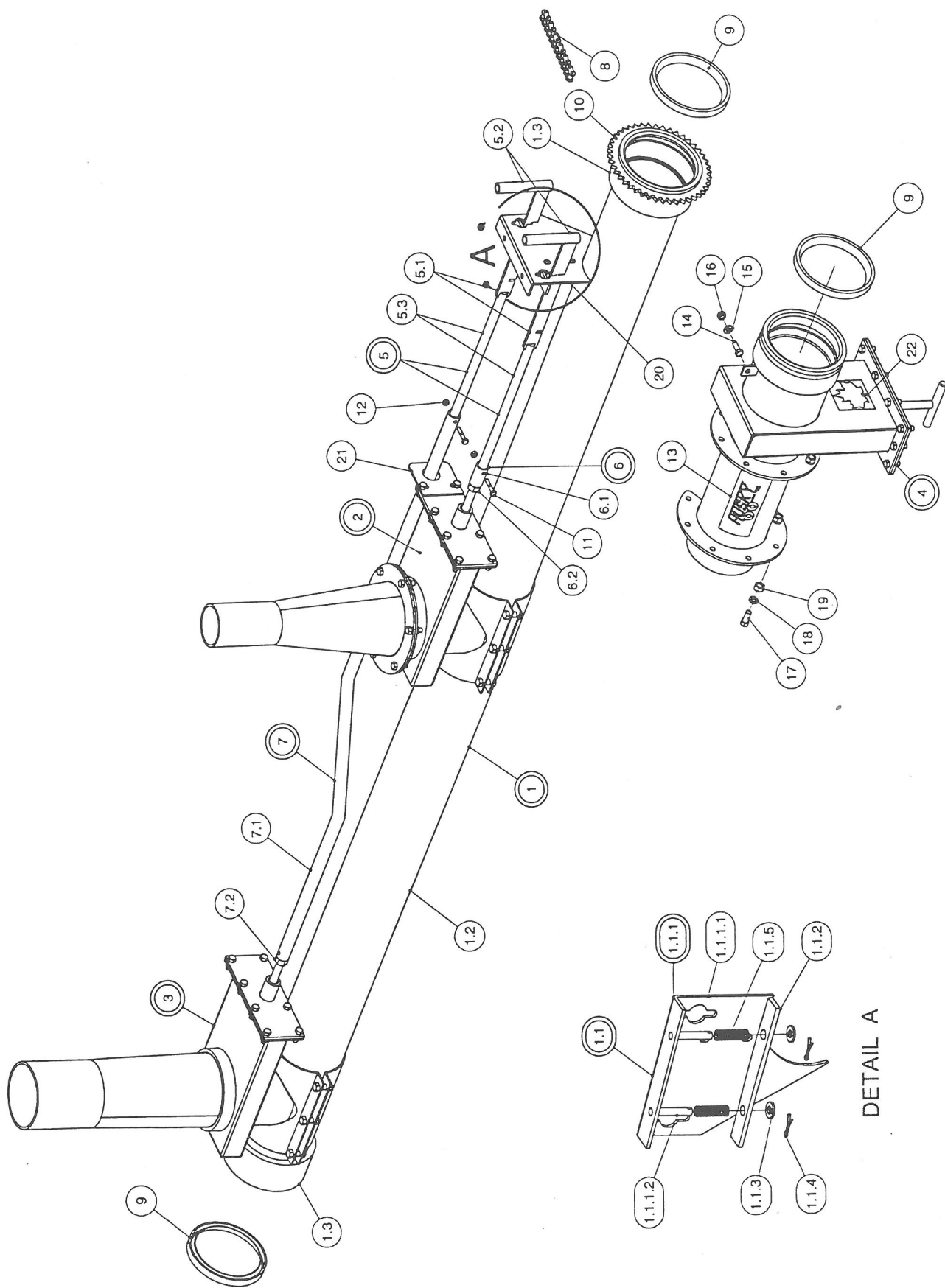
HUSKY LIQUID MANURE PUMP

OPERATING INSTRUCTIONS:

1. Do not leave pump in manure pit - remove pump from pit - wash off and cover with old oil or diesel fuel.
2. Always idle tractor down before changing from pumping to agitating.
3. Do not over rev tractor while pumping as discharge spout will lift into the air. If pumping fast, tie down spout.
4. The (urethane) marine bearing at the bottom of the pump is lubricated with manure or water. If the level of the liquid is below the bearing and you are running for long periods, put a water hose in the top of standpipe.
5. When closing top valve turn handle to lock in place.
6. EXTREME DANGER - Never enter a dirty manure spreader or storage tank - one breath of hydrogen sulphide gas is enough to kill.



STANDPIPE ASSEMBLY

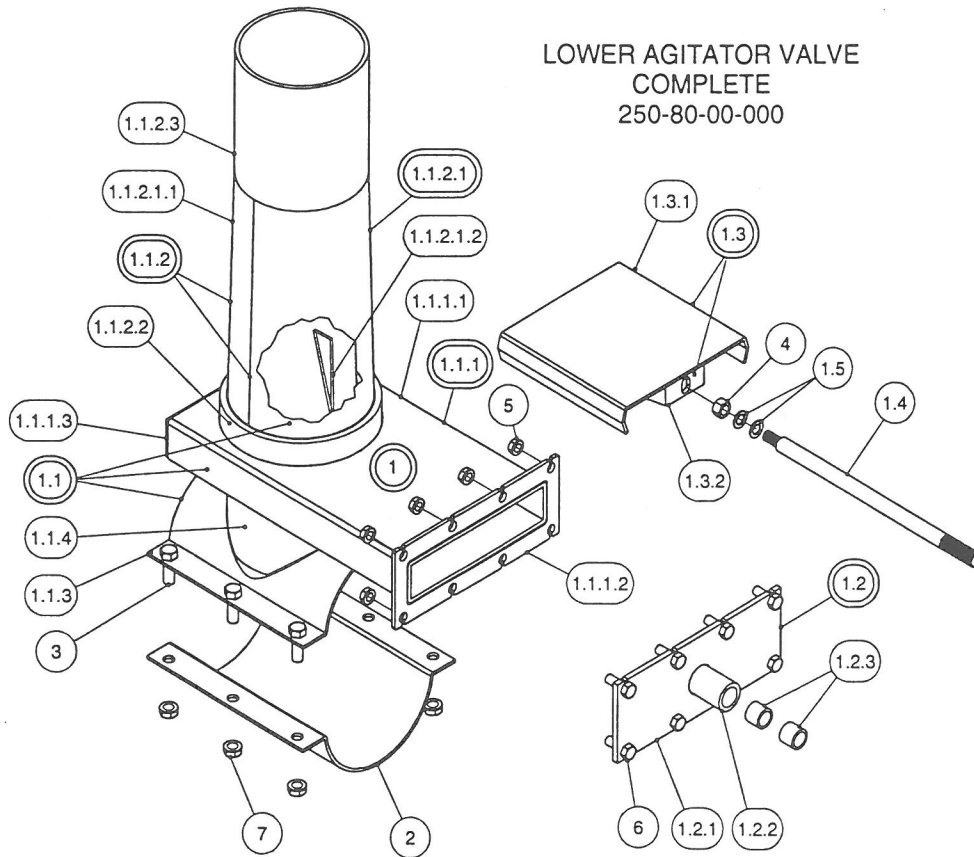


STANDPIPE ASSEMBLY CONT

ITEM	PART NUMBER	DESCRIPTION	QTY
1	250-67-00-000	STANDPIPE ASSY - 8 FT PUMP	1
	252-68-00-000	STANDPIPE ASSY - 10 FT PUMP	1
	254-69-00-000	STANDPIPE ASSY - 12 FT PUMP	1
1.1	250-67-34-000	CONTROL PLATE KIT	1
1.1.2	250-00-00-175	SPRING PLATE	1
1.1.3	R07823	3/8 FLAT WASHER	2
1.1.4	R08021	1/8 x 1 COTTER PIN	2
1.1.5	R08024	SPRING	2
1.1.1	250-67-33-000	CONTROL PLATE ASSY	1
1.1.1.1	250-67-33-178	CONTROL PLATE	1
1.1.1.2	250-67-33-176	CONTROL PLATE PIN	2
1.2	250-67-00-152	STANDPIPE - 8 FT	1
	252-68-00-153	STANDPIPE - 10 FT	1
	254-69-00-154	STANDPIPE - 12 FT	1
1.3	250-67-00-168	GASKET SLEEVE	2
2	250-86-00-000	UPPER AGITATOR VALVE & TEE COMPLETE	1
3	250-80-00-000	LOWER AGITATOR VALVE COMPLETE	1
4	250-96-00-000	UPPER VALVE & EXTENSION PIPE ASSY	1
5	250-22-00-000	CONTROL ROD ASSY	2
5.1	250-21-00-076	LEVER PLATE	2
5.2	250-21-00-072	LEVER HANDLE	2
5.3	250-22-00-046	UPPER CONTROL ROD	2
6	250-19-00-000	CONTROL ROD ATTACHMENT ASSY	1
6.1	250-19-00-045	UPPER CONTROL ROD ATTACHMENT	1
6.2	R07786	5/8 HEX NUT	1
7	250-20-00-000	LOWER CONTROL ROD ASSY - 8 FT PUMP	1
	252-42-00-000	LOWER CONTROL ROD ASSY - 10 FT PUMP	1
	254-43-00-000	LOWER CONTROL ROD ASSY - 12 FT PUMP	1
7.1	250-20-00-075	LOWER CONTROL ROD - 8 FT PUMP	1
	252-42-00-110	LOWER CONTROL ROD - 10 FT PUMP	1
	254-43-00-112	LOWER CONTROL ROD - 12 FT PUMP	1
7.2	R07786	5/8 HEX NUT	1
8	250-00-00-104	#50 ROLLER CHAIN - 69 PITCH & CONN/LINK	1
9	R02366	6" RUBBER GASKET	3
10	R20612	50A44 SPROCKET	1
11	R07603	1/4 x 1 1/2 HEX BOLT	2
12	R08048	1/4" 2 WAY LOCK NUT	2
13	R09671	"HUSKY" DECAL	1
14	R07619	3/8 x 1 HEX BOLT	1
15	R07823	3/8 FLAT WASHER	1
16	R07886	3/8 LOCK NUT	1
17	R07628	7/16 x 1 HEX BOLT	6
18	R07804	7/16 LOCK WASHER	6
19	R07784	7/16 HEX NUT	6
20	250-12-00-044	CONTROL PLATE GUSSET	1
21	250-00-00-160	CONTROL ROD SUPPORT	1
22	R09509	"MADE IN CANADA" DECAL	1

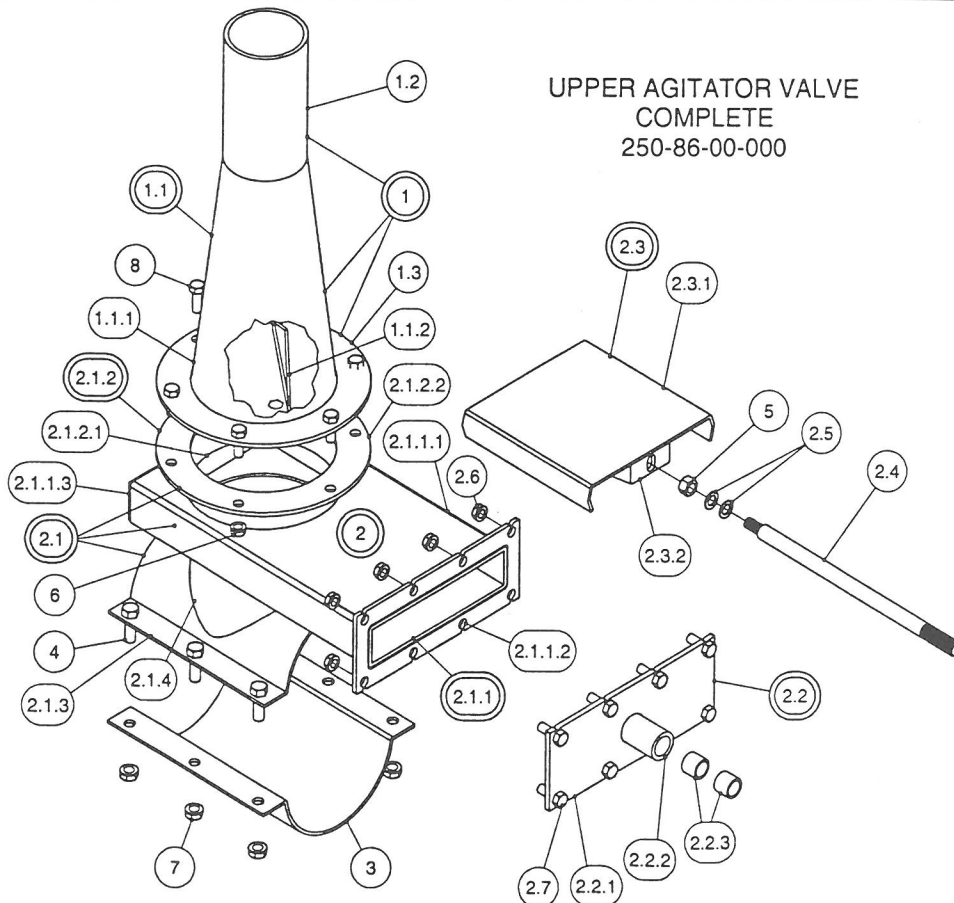
LOWER AGITATOR VALVE

ITEM	PART NUMBER	DESCRIPTION	QTY
1	250-80-01-000	LOWER AGITATOR VALVE & TEE ASSY	1
1.1	250-79-00-000	LOWER AGITATOR VALVE ASSY	1
1.1.1	250-79-35-000	AGITATOR VALVE HOUSING ASSY	1
1.1.1.1	250-79-35-189	VALVE HOUSING	1
1.1.1.2	275-01-02-012	VALVE FLANGE	1
1.1.1.3	275-01-02-062	VALVE END CAP	1
1.1.2	250-79-53-000	LOWER AGITATOR CONE & MOUNT ASSY	1
1.1.2.1	250-09-08-000	LOWER AGITATOR CONE ASSY	1
1.1.2.1.1	250-09-08-036	LOWER CONE HALF	2
1.1.2.1.2	250-09-08-037	CONE RIBS	4
1.1.2.2	250-09-08-031	CONE MOUNT	1
1.1.2.3	250-79-53-330	LOWER CONE EXTENSION TUBE	1
1.1.3	250-66-00-150	CONE CLAMP ON BRACKET	1
1.1.4	250-09-07-035	TEE SIDE	1
1.2	250-79-36-000	OUTER FLANGE ASSY w/ BUSHINGS	1
1.2.1	250-79-36-188	VALVE OUTER FLANGE	1
1.2.2	250-08-06-030	VALVE BUSHING HOLDER	1
1.2.3	R21167	7/8 OD x 5/8 ID x 3/4 LONG BUSHING	2
1.3	275-17-00-000	VALVE GATE ASSY	1
1.3.1	275-17-00-080	VALVE GATE	1
1.3.2	275-17-00-081	VALVE GATE BRACKET	1
1.4	250-00-00-023	VALVE SHAFT	1
1.5	R08221	7/16 SS FLAT WASHER	2
2	250-00-00-151	CLAMP ON BRACKET	1
3	R07671	7/16 x 1 1/4 HEX BOLT	6
4	R08228	7/16 SS NYLOCK NUT	1
5	R07794	3/8 FLANGE NUT	8
6	R07619	3/8 x 1 HEX BOLT	8
7	R07879	7/16 FLANGE NUT	6



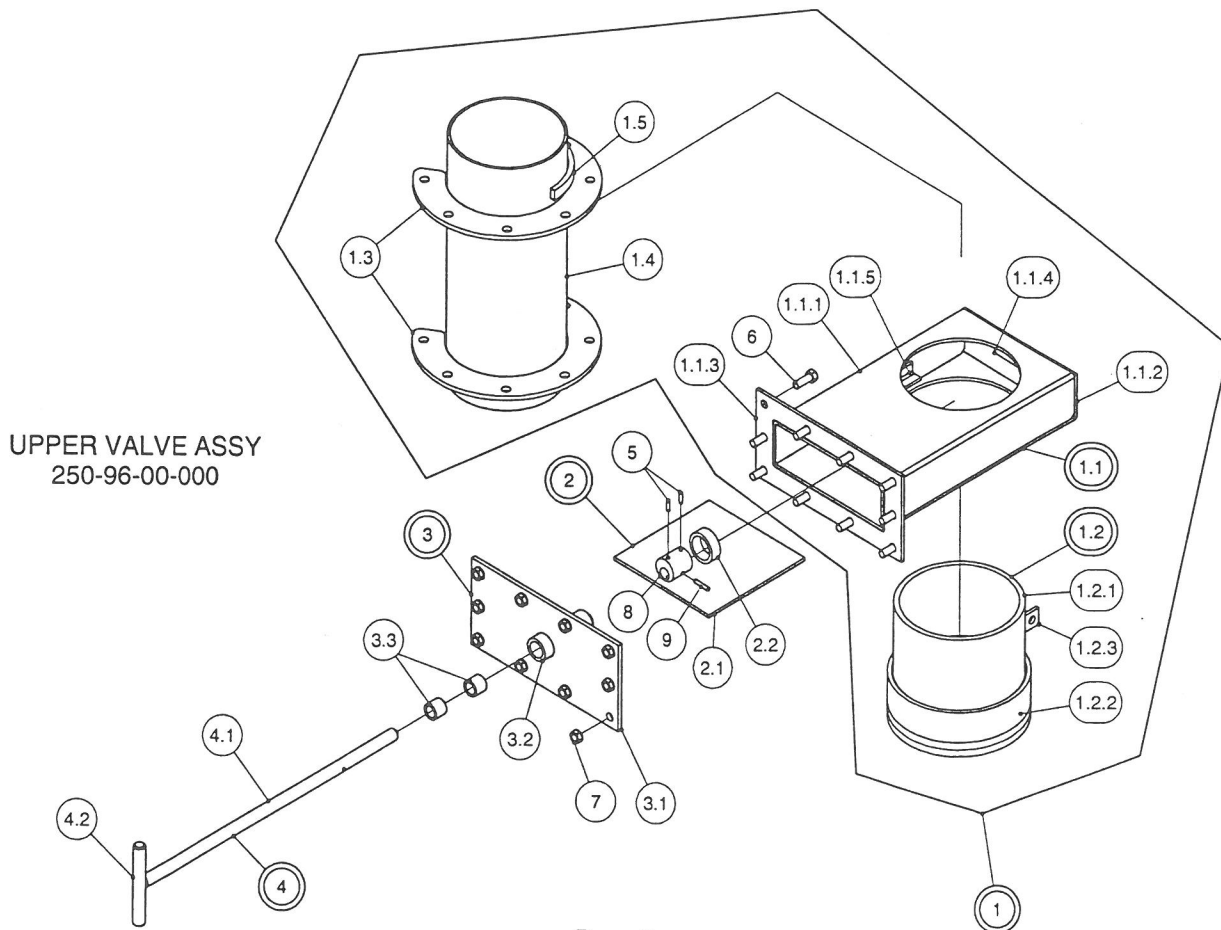
UPPER AGITATOR VALVE COMPLETE

ITEM	PART NUMBER	DESCRIPTION	QTY
1	250-93-00-000	UPPER CONE & FLANGE ASSY	1
1.1	250-86-43-000	UPPER CONE ASSY	1
1.1.1	250-86-43-214	UPPER CONE HALF	2
1.1.2	250-09-08-037	CONE RIBS	4
1.2	250-93-00-331	UPPER CONE EXTENSION TUBE	1
1.3	250-93-00-288	FLANGE	1
2	250-86-01-000	UPPER AGITATOR VALVE ASSY w/ GATE	1
2.1	250-90-00-000	UPPER AGITATOR VALVE ASSY	1
2.1.1	250-79-35-000	AGITATOR VALVE HOUSING ASSY	1
2.1.1.1	250-79-35-189	VALVE HOUSING	1
2.1.1.2	275-01-02-012	VALVE FLANGE	1
2.1.1.3	275-01-02-062	VALVE END CAP	1
2.1.2	250-90-57-000	UPPER MOUNT & VALVE ASSY	1
2.1.2.1	250-09-08-031	CONE MOUNT	1
2.1.2.2	250-93-00-288	FLANGE	1
2.1.3	250-66-00-150	CONE CLAMP ON BRACKET	1
2.1.4	250-09-07-035	TEE SIDE	1
2.2	250-79-36-000	OUTER FLANGE ASSY w/ BUSHINGS	1
2.2.1	250-79-36-188	VALVE OUTER FLANGE	1
2.2.2	250-08-06-030	VALVE BUSHING HOLDER	1
2.2.3	R21167	7/8 OD x 5/8 ID x 3/4 LONG BUSHING	2
2.3	275-17-00-000	VALVE GATE ASSY	1
2.3.1	275-17-00-080	VALVE GATE	1
2.3.2	275-17-00-081	VALVE GATE BRACKET	1
2.4	250-00-00-023	VALVE SHAFT	1
2.5	R08221	7/16 SS FLAT W ASHER	2
2.6	R07794	3/8 FLANGE NUT	8
2.7	R07619	3/8 x 1 HEX BOLT	8
3	250-00-00-151	CLAMP ON BRACKET	1
4	R07671	7/16 x 1 1/4 HEX BOLT	6
5	R08228	7/16 SS NYLOCK NUT	1
6	R07794	3/8 FLANGE NUT	6
7	R07879	7/16 FLANGE NUT	6
8	R07619	3/8 x 1 HEX BOLT	6



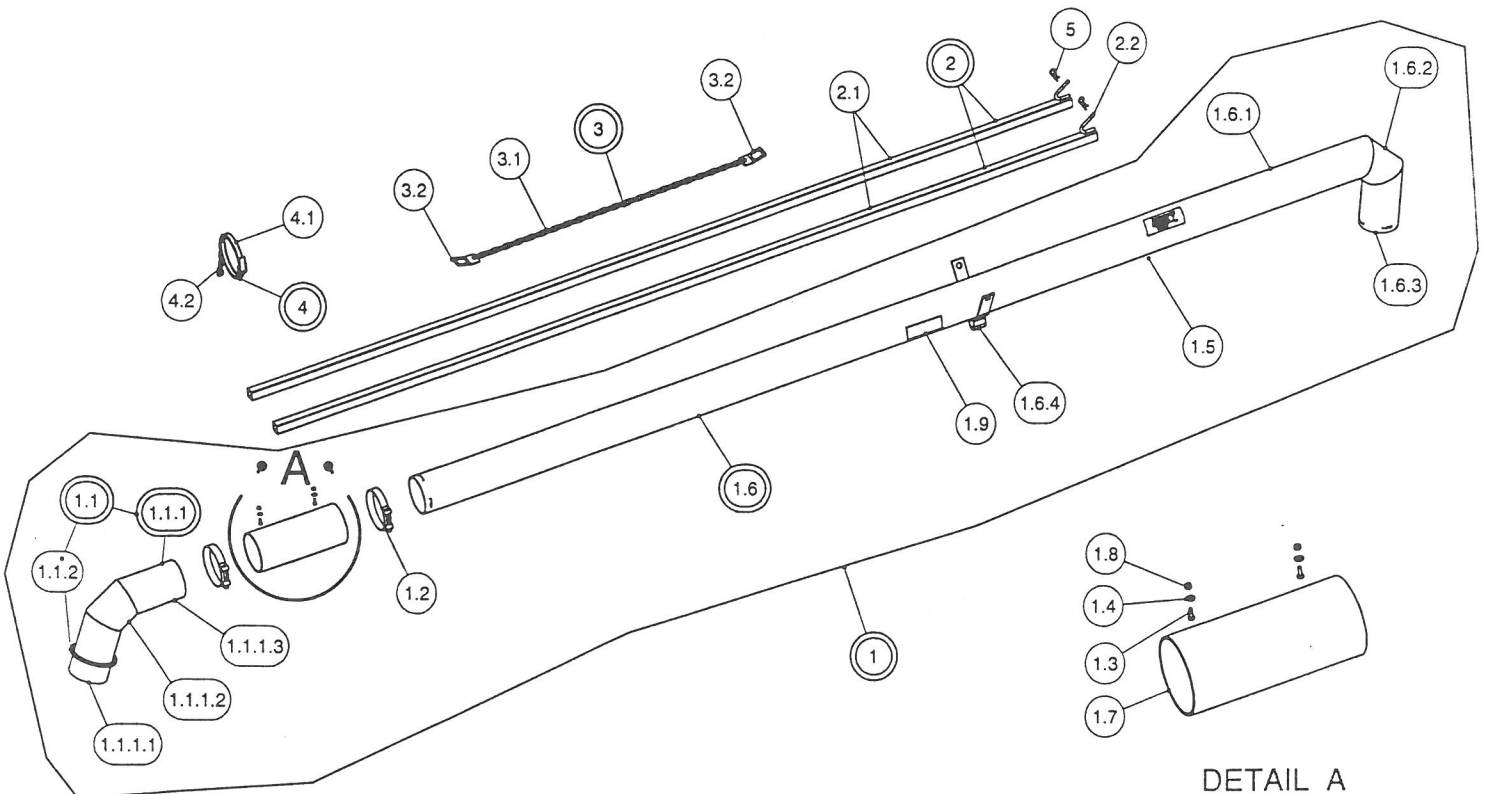
UPPER VALVE ASSEMBLY

ITEM	PART NUMBER	DESCRIPTION	QTY
1	250-96-02-000	VALVE & EXTENSION PIPE ASSY	1
1.1	250-14-12-000	UPPER VALVE HOUSING ASSY	1
1.1.1	250-14-12-047	UPPER VALVE BOTTOM PLATE	1
1.1.2	250-14-12-048	UPPER VALVE COVER PLATE	1
1.1.3	250-14-12-049	UPPER VALVE FLANGE	1
1.1.4	250-14-12-050	HOLD DOWN BAR	1
1.1.5	250-14-12-051	VALVE GUIDE	2
1.2	250-96-01-000	UPPER EXTENSION PIPE ASSY	1
1.2.1	250-15-17-061	VALVE EXTENSION PIPE	1
1.2.2	250-96-01-296	COUPLING BASE TUBE	1
1.2.3	250-96-00-298	CHAIN LUG	1
1.3	250-15-00-060	MOUNT BRACKET	2
1.4	250-15-00-059	FIXED UPPER STANDPIPE	1
1.5	250-15-00-170	STOP RING	1
2	250-14-13-000	VALVE GATE ASSY	1
2.1	250-14-13-052	UPPER VALVE GATE	1
2.2	250-14-13-053	CAM HOLDER	1
3	250-14-11-000	UPPER VALVE COVER PLATE ASSY	1
3.1	250-14-14-054	UPPER VALVE COVER PLATE	1
3.2	250-14-14-055	VALVE BEARING SLEEVE	1
3.3	R21167	7/8 OD x 5/8 ID x 3/4 LONG BUSHING	2
4	250-14-15-000	HANDLE ASSY	1
4.1	250-14-15-057	UPPER VALVE SHAFT	1
4.2	250-14-15-058	TEE HANDLE	1
5	R07986	3/16 x 5/8 HARDENED DOWEL PIN	2
6	R07619	3/8 x 1 HEX BOLT	10
7	R07794	3/8 FLANGE NUT	10
8	250-14-14-056	SS CAM	1
9	R08241	3/16 x 1 SS ROLL PIN	1



DISCHARGE PIPE

ITEM	PART NUMBER	DESCRIPTION	QTY
1	250-98-00-000	15 FT DISCHARGE PIPE KIT	*
	250-99-00-000	20 FT DISCHARGE PIPE KIT	1
	250-94-00-000	25 FT DISCHARGE PIPE KIT	*
	252-09-00-000	30 FT DISCHARGE PIPE KIT	*
1.1	250-95-00-000	PUMP ELBOW w/ RING ASSY	1
1.1.1	250-26-21-000	PUMP ELBOW ASSY	1
1.1.1.1	250-26-21-092	PUMP ELBOW BASE SECTION	1
1.1.1.2	250-26-21-093	PUMP ELBOW MIDDLE SECTION	1
1.1.1.3	250-26-21-094	PUMP ELBOW UPPER SECTION	1
1.1.2	250-95-00-295	CLAMP RING	1
1.2	R02482	6" HOSE CLAMP	2
1.3	R07677	1/4 x 1 HEX BOLT	4
1.4	R07821	1/4 FLAT W ASHER	4
1.5	R09502	"HUSKY" DECAL	1
1.6	250-26-22-000	DISCHARGE PIPE ASSY - 15 FT	*
	250-55-25-000	DISCHARGE PIPE ASSY - 20 FT	1
	250-94-01-000	DISCHARGE PIPE ASSY - 25 FT	*
	250-09-01-000	DISCHARGE PIPE ASSY - 30 FT	*
1.6.1	250-26-22-096	15 FT DISCHARGE PIPE	*
	250-55-25-134	20 FT DISCHARGE PIPE	1
	250-94-01-294	25 FT DISCHARGE PIPE	*
	252-09-01-326	30 FT DISCHARGE PIPE	*
1.6.2	250-26-22-097	DISCHARGE ELBOW CENTER PIECE	1
1.6.3	250-26-22-098	DISCHARGE ELBOW END PIECE	1
1.6.4	250-26-22-099	DISCHARGE PIPE HOOK	1
1.7	250-00-00-095	FLEX HOSE SECTION	1
1.8	R07781	1/4 HEX NUTS	4
1.9	R09690	"TIE DOWN" DECAL	1
2	242-33-00-000	BIPOD LEG ASSY	2
2.1	242-33-00-155	BIPOD LEGS	2
2.2	242-33-00-156	BIPOD LEG HOOK	2
3	242-79-00-000	BIPOD LEG CHAIN ASSY	1
3.1	242-79-00-199	BIPOD LEG CHAIN	1
3.2	242-79-00-198	BIPOD LEG CLIP	2
4	250-97-00-000	CLAMP & CHAIN ASSY	1
4.1	R02487	6" RING LOCK CLAMP	1
4.2	250-97-00-297	CLAMP CHAIN	1
5	R07948	5/32 HA IR PIN	2



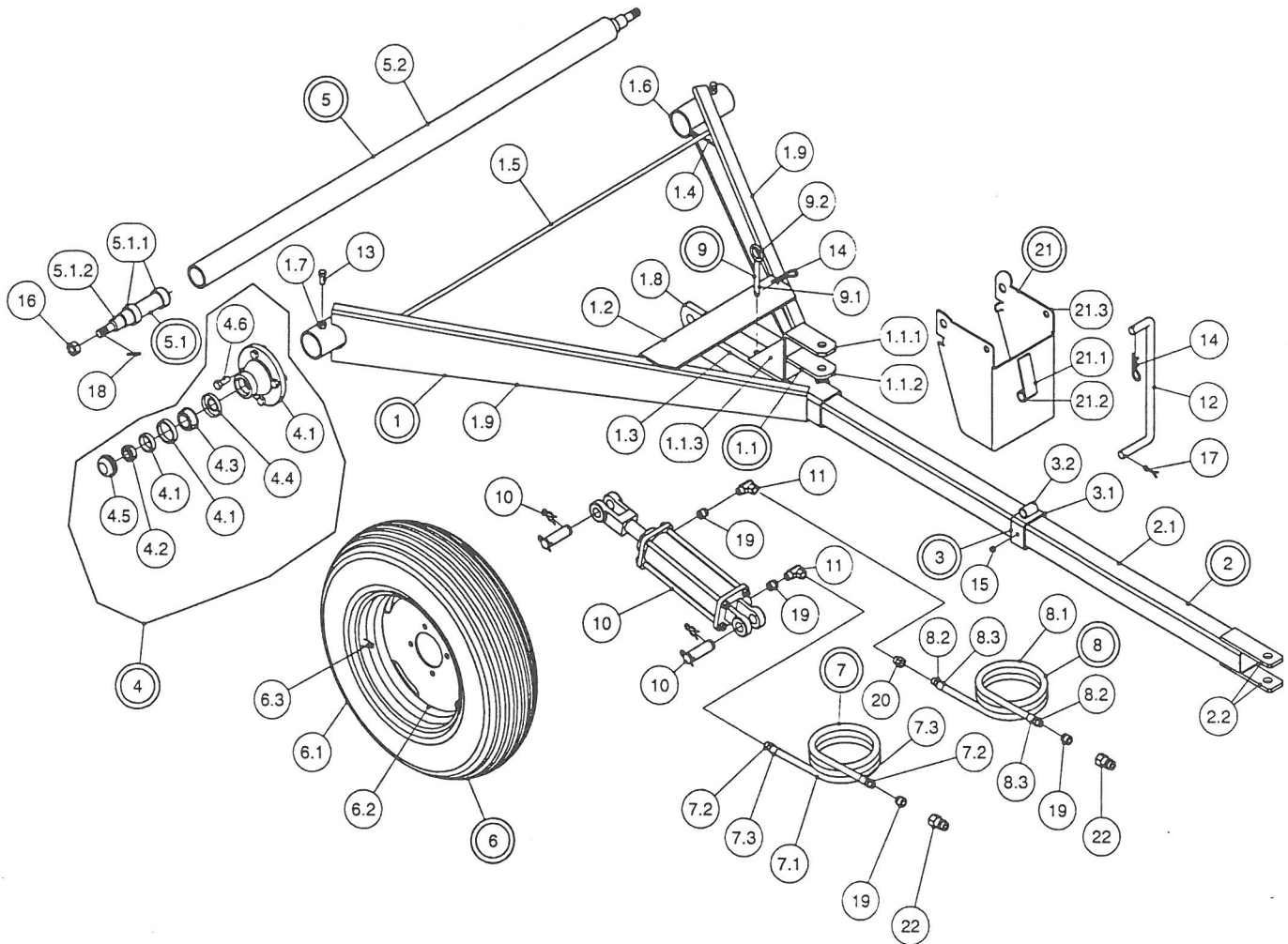
DETAIL A

CHASSIS

ITEM	PART NUMBER	DESCRIPTION	QTY
1	250-61-00-000	CHASSIS ASSY	1
1.1	250-61-37-000	CHASSIS HITCH ASSY	1
1.1.1	250-61-00-144	CHASSIS HITCH PLATE	1
1.1.2	250-58-00-139	CHASSIS HITCH PLATE CENTER	1
1.1.3	250-61-00-145	CHASSIS HITCH PLATE GUSSET	2
1.2	250-61-00-143	CROSS ANGLE	1
1.3	250-61-00-146	HITCH PLATE	1
1.4	206-01-00-005	FRAME GUSSET	4
1.5	206-01-00-003	WHEEL TIE BAR	1
1.6	206-01-02-008	AXLE SLEEVE	2
1.7	R07784	7/16 HEX NUT	2
1.8	206-01-01-007	BASE PIVOT	1
1.9	250-61-00-142	FRAME SIDE MEMBER	2
2	250-62-00-000	TONGUE ASSY	1
2.1	250-62-00-147	TONGUE TUBE	1
2.2	206-02-00-014	TONGUE PLATE	2
3	250-63-00-000	TONGUE SLEEVE ASSY	1
3.1	250-63-00-148	TONGUE SLEEVE	1
3.2	206-02-00-015	TIE ROD SLEEVE	1
4	250-60-30-000	H-411 HUB COMPLETE	2
4.1	R20139	H-411 HUBS w/ CUPS	2
4.2	R20158	OUTER CONE	2
4.3	R20159	INNER CONE	2
4.4	R20144	OIL SEAL	2
4.5	R20143	DUST CAP	2
4.6	R20145	WB55 1/2 x 1 WHEEL BOLT	8
5	250-64-00-000	AXLE ASSY	1
5.1	250-64-27-000	SPINDLE ASSY	2
5.1.1	250-64-27-149	PLUG WASHER	4
5.1.2	R20141	SPINDLE	2
5.2	206-00-00-017	AXLE TUBE	1
6	250-65-00-000	TIRE & WHEEL ASSY - 5.9 x 15	2
6.1	R20016	5.9 x 15 RIB IMPLEMENT TIRE	2
6.2	R20057	4.5 x 15 WHEEL - 4 BOLT	2
6.3	R20020	VALVE STEM	2
7	242-34-00-000	HYDRAULIC HOSE ASSY	1
7.1	242-34-00-158	HYDRAULIC HOSE	1
7.2	R20803	3/8 - 16 NPT SOLID MALE STEM	2
7.3	R21231	STEEL FERRULE - 1/4"	2
8	242-35-00-000	HYDRAULIC HOSE ASSY	1
8.1	242-35-00-159	HYDRAULIC HOSE	1
8.2	R20803	3/8 - 16 NPT SOLID MALE STEM	2
8.3	R21231	STEEL FERRULE - 1/4"	2
9	206-03-00-000	TONGUE PIN ASSY	1
9.1	206-03-00-019	TONGUE PIN	1
9.2	R07925	1/4 x 1 1/2 PLATED RING	1
10	R20727	3 x 8 HYDRAULIC CYLINDER w/ PINS & CLIPS	1
11	R21366	3/8" x 90 DEG. NPT STREET ELBOW	2
12	250-00-00-106	TIE ROD	1
13	R07628	7/16 x 1 HEX BOLT	2

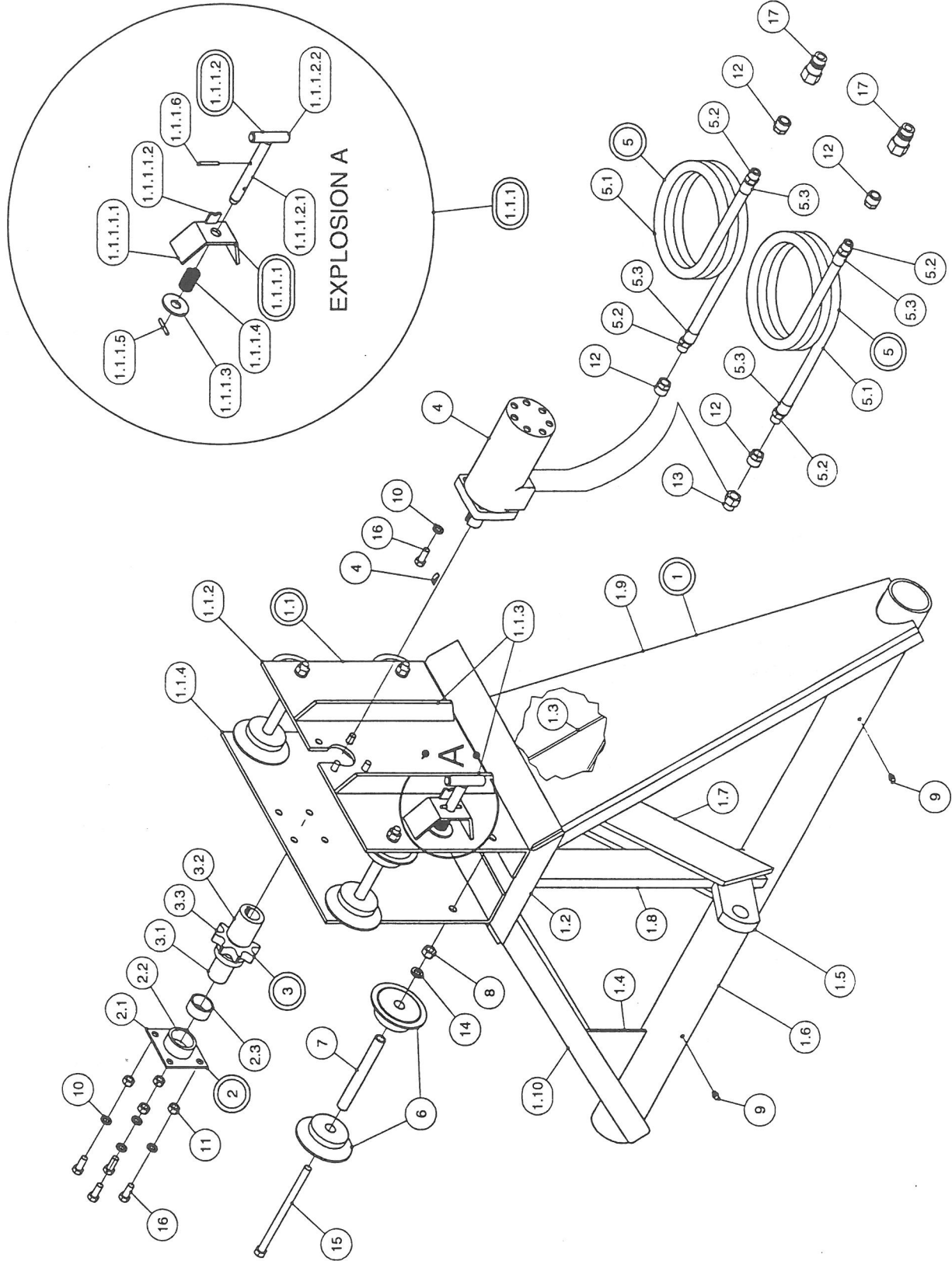
CHASSIS CONT

ITEM	PART NUMBER	DESCRIPTION	QTY
14	R07948	5/32 HAIR PIN	2
15	R07865	3/8 - 24 UNF SET SCREW 3/8 LONG	1
16	R20142	SLOTTED HEX NUT	2
17	R08013	3/16 x 2 COTTER PIN	1
18	R08207	5/32 x 1 1/2 SS COTTER PIN	2
19	R02043	BUSHING 1/2 x 3/8	4
20	R21336	3/8 - 18 RESTRICTOR	1
21	250-32-00-000	PTO GUARD ASSY	1
21.1	250-32-00-118	PTO GUARD BRACE	1
21.2	206-02-00-015	TIE ROD SLEEVE	1
21.3	250-32-00-105	PTO GUARD	1
22	R21342	PIONEER ENDS	2



ITEM	PART NUMBER	DESCRIPTION	QTY
1	250-23-00-000	TILT FRAME ASSY	1
1.1	250-23-20-000	LH SPOOL HOLDER ASSY	1
1.1.1	252-12-00-000	SIDE LOCK PIN KIT	1
1.1.1.1	242-17-17-000	SIDE LOCK BRACKET ASSY	1
1.1.1.1.1	242-17-17-193	SIDE LOCK BRACKET	1
1.1.1.1.2	242-17-17-194	PIN STOP	1
1.1.1.2	250-23-26-000	SIDE LOCK PIN ASSY	1
1.1.1.2.1	250-23-26-135	SIDE LOCK PIN	1
1.1.1.2.2	242-17-18-196	PIN HANDLE	1
1.1.1.3	R07826	5/8 FLAT WASHER	1
1.1.1.4	R08027	7/8 x 1 3/8 COMP. SPRING	1
1.1.1.5	R07950	3/16 x 1 1/4 ROLL PIN	1
1.1.1.6	R07943	3/16 x 1 1/2 ROLL PIN	1
1.1.2	250-23-20-085	LH SPOOL HOLDER	1
1.1.3	250-23-20-086	SPOOL HOLDER BRACE	2
1.1.4	250-23-00-084	RH SPOOL HOLDER	1
1.2	250-23-00-081	TILT FRAME BASE	1
1.3	250-23-00-080	TILT FRAME GUSSET	1
1.4	250-23-00-082	SUPPORT ARM GUSSET	2
1.5	250-23-00-129	LIFT ARM	1
1.6	206-04-00-022	PIVOT TUBE	1
1.7	250-23-00-083	REINFORCING BAR	2
1.8	250-23-00-132	UPRIGHT SUPPORT	1
1.9	250-23-00-079	L.H. ARM SUPPORT	1
1.10	250-23-00-078	R.H. ARM SUPPORT	1
2	242-26-00-000	BUSHING HOLDER ASSY	1
2.1	242-26-00-133	BUSHING HOLDER PLATE	1
2.2	242-26-00-134	BUSHING HOLDER	1
2.3	R20259	BUSHING 1 1/4 x 1 1/2 x 3/4 LONG	1
3	250-25-00-000	SPROCKET DRIVE ASSY	1
3.1	250-25-00-090	SPROCKET SHAFT	1
3.2	250-25-00-091	MOTOR TO SHAFT COUPLING	1
3.3	250-25-00-257	80 B8 SROCKET w/ 1 1/4" BORE	1
4	R22255	M+S HYDRAULIC MOTOR w/ KEY	1
5	252-49-00-000	HYDRAULIC HOSE ASSY	2
5.1	252-49-00-123	HYDRAULIC HOSE	2
5.2	R20803	3/8 - 16 NPT SOLID MALE STEM	4
5.3	R21231	STEEL FERRULE - 1/4"	4
6	250-00-00-183	SPOOL	8
7	250-00-00-089	SPOOL SLEEVE	4
8	R07784	7/16 HEX NUT	4
9	R08183	1/4" - 28 STRAIGHT GREASE FITTING	2
10	R07803	3/8 LOCK WASHER	8
11	R07783	3/8 HEX NUT	4
12	R02043	BUSHING 1/2 x 3/8	4
13	R21336	3/8 - 18 RESTRICTOR	1
14	R07804	7/16 LOCK WASHER	4
15	R07689	7/16 x 7 HEX BOLT	4
16	R07670	3/8 x 7/8 HEX BOLT	8
17	R21342	PIONEER ENDS	2

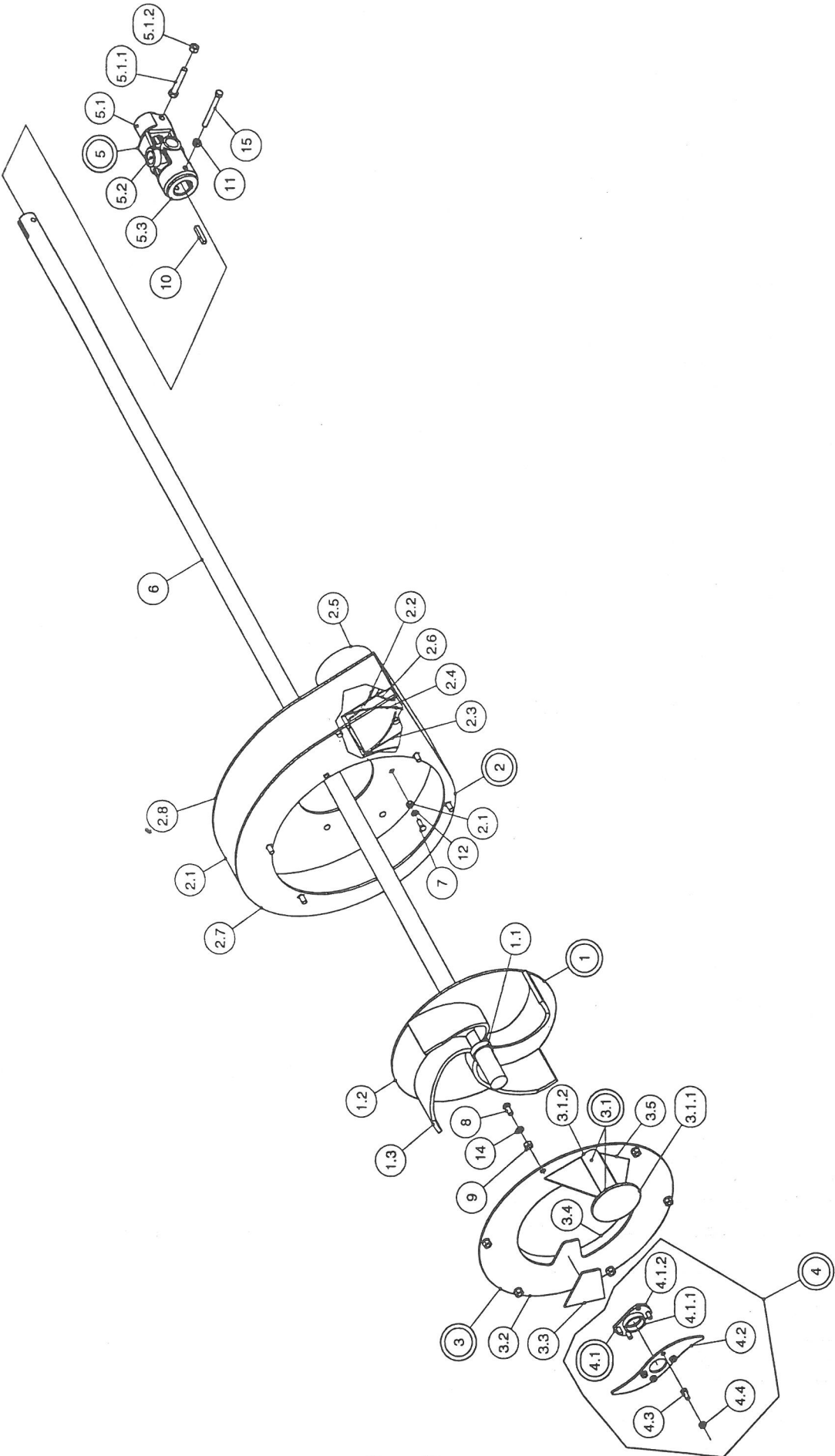
TILT FRAME CON'T



FAN & HOUSING

ITEM	PART NUMBER	DESCRIPTION	QTY
1	250-03-11-000	IMPELLER ASSY	1
1.1	250-03-11-018	IMPELLER GUIDE RING	1
1.2	250-03-00-008	IMPELLER BACK PLATE	1
1.3	250-03-00-009	IMPELLER BLADE	4
2	250-72-00-000	FAN HOUSING ASSY	1
2.1	250-72-00-163	HOUSING BAND	1
2.2	250-72-00-166	HOUSING DEFLECTOR PLATE	1
2.3	250-72-00-165	SIDE PLATE	1
2.4	250-72-00-167	INNER HOUSING RING	1
2.5	250-72-00-164	DISCHARGE TUBE	1
2.6	250-72-00-169	HOUSING CORNER GUSSET	2
2.7	250-72-00-162	LOWER FAN HOUSING PLATE	1
2.8	250-72-00-161	UPPER FAN HOUSING PLATE	1
3	250-04-00-000	COVER PLATE ASSY	1
3.1	250-04-03-000	FOOT ASSY	1
3.1.1	250-04-03-012	FOOT END	1
3.1.2	250-04-03-013	FOOT PLATE	1
3.2	250-04-00-011	COVER PLATE	1
3.3	250-04-00-015	CUTTER PLATE	1
3.4	250-04-00-010	INLET RING	1
3.5	250-04-00-173	FOOT GUSSET	2
4	250-73-00-000	CUTTER BLADE KIT	1
4.1	250-73-32-000	CUTTER BLADE BRACKET ASSY	1
4.1.1	250-73-32-171	CUTTER BLADE RING	1
4.1.2	250-73-32-172	CUTTER BLADE BRACKET	1
4.2	250-73-00-308	CUTTER BLADE	1
4.3	R07688	3/8 x 3/4 HEX BOLT	4
4.4	R07794	3/8 FLANGE NUT	4
5	250-75-00-000	KNUCKLE ASSY	1
5.1	R22027	1 3/8 - 6 TOOTH CL YOKE w/BOLT	1
5.1.1	R07641	1/2 x 3 HEX BOLT	1
5.1.2	R08219	1/2" NYLOCK NUT	1
5.2	R20334	JOURNAL & BEARING KIT	1
5.3	R22067	1 3/4 ROUND HOLE YOKE	1
6	250-00-00-184	DRIVE SHAFT - 8 FT MODEL	1
	252-00-00-185	DRIVE SHAFT - 10 FT MODEL	1
	254-00-00-186	DRIVE SHAFT - 12 FT MODEL	1
7	R07721	3/8 x 1 CARRIAGE BOLT	8
8	R07731	7/16 x 1 CARRIAGE BOLT	6
9	R07784	7/16 HEX NUT	6
10	270-00-00-075	3/8 KEY - 50mm LONG	1
11	R07891	7/16 LOCK NUT	1
12	R07803	3/8 LOCK WASHER	8
13	R07783	3/8 HEX NUT	8
14	R07804	7/16 LOCK WASHER	6
15	R07634	7/16 x 4 HEX BOLT	1

FAN & HOUSING CON'T

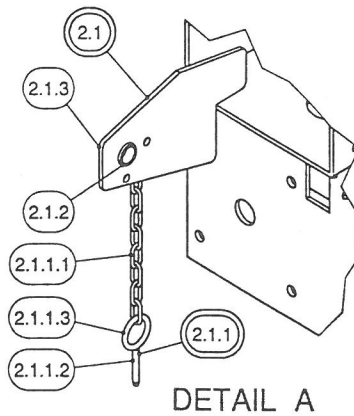
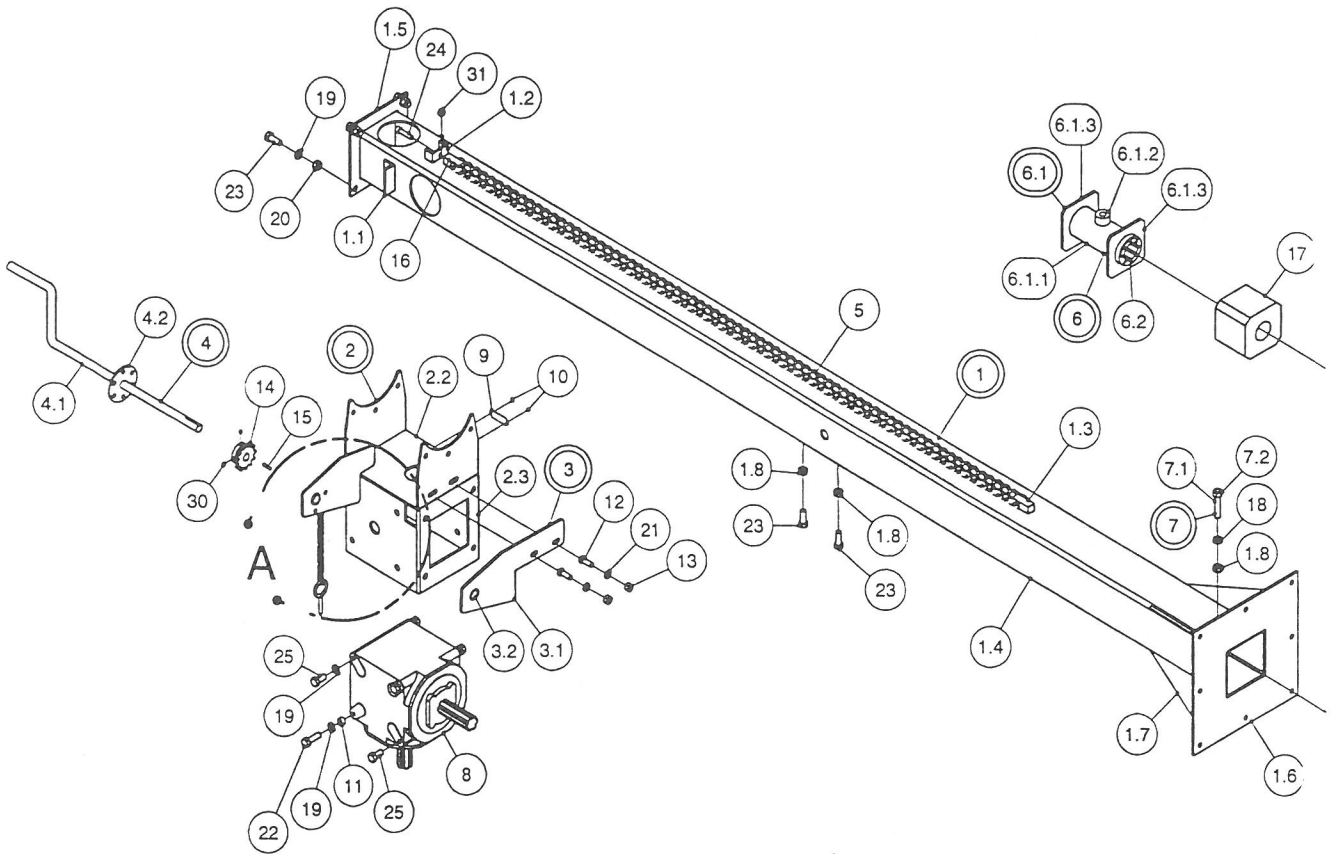


SHAFT TUBE

Parts List			
ITEM	PART NUMBER	DESCRIPTION	QTY
(1)	254-39-00-000	SHAFT TUBE ASSY - 12 FT MODEL	1
(1)	252-38-00-000	SHAFT TUBE ASSY - 10 FT MODEL	1
1	250-05-00-000	SHAFT TUBE ASSY - 8 FT MODEL	1
1.1	250-05-00-017	SPOOL HOLDER STOP	2
1.2	242-11-00-061	TIGHTENER BRACKET	1
1.3	242-11-00-059	CHAIN HOLD DOWN BRACKET	1
1.4	250-05-00-014	SHAFT TUBE - 8 FT MODEL	1
(1.4)	252-38-00-109	SHAFT TUBE - 10 FT MODEL	1
(1.4)	254-39-00-111	SHAFT TUBE - 12 FT MODEL	1
1.5	250-05-00-016	SHAFT TUBE FLANGE	1
1.6	250-05-00-073	LOWER SHAFT TUBE FLANGE	1
1.7	250-05-00-077	SHAFT TUBE GUSSET	4
1.8	R08304	1/2 S.S. FLANGE NUT	3
2	250-16-00-000	GEARBOX BRACKET ASSY	1
2.1	250-16-18-000	UPPER CRANK BRACKET ASSY	1
2.1.1	250-18-00-000	LOCK PIN ASSY w/ CHAIN	1
2.1.1.1	250-18-00-067	LOCK PIN CHAIN	1
2.1.1.2	250-18-00-071	LOCK PIN	1
2.1.1.3	R07925	1/4 x 1 1/2 PLATED RING	1
2.1.2	250-16-18-065	ROLLER CHAIN - 8 FT	1
2.1.2	250-16-18-066	SLEEVE	1
2.2	250-16-00-064	GEARBOX BRACKET COVER PLATE	1
2.3	250-16-00-063	GEARBOX BRACKET	1
3	250-89-00-000	CRANK BRACKET ASSY	1
3.1	250-13-00-068	CRANK BRACKET	1
3.2	250-16-18-066	SLEEVE	1
4	250-17-00-000	CRANK ASSY	1
4.1	250-17-00-069	CRANK	1
4.2	250-17-00-070	CRANK LOCK PLATE	1
5	242-00-00-065	ROLLER CHAIN - 8 FT	1
(5)	244-00-00-169	ROLLER CHAIN - 10 FT	1
(5)	246-00-00-177	ROLLER CHAIN - 12 FT	1
6	250-76-00-000	MARINE BRG & HOLDER COMPLETE	1
6.1	250-76-34-000	MARINE BRG HOLDER ASSY	1
6.1.1	250-76-34-180	URETHANE BRG SLEEVE	1
6.1.2	250-76-34-256	STABILIZER SLEEVE	1
6.1.3	250-76-34-181	BRG SLEEVE HOLDER	2
6.2	R20280	URETHANE	1
7	250-59-00-000	SET SCREW ASSY	1
7.1	250-59-00-141	SS SET SCREW REDDI ROD	1
7.2	R08235	1/2 S.S. HEX NUT	1
8	R20670	COMER T276A 1:1.5 GEAR BOX	1
9	R09071	SERIAL NUMBER PLATE	1
10	R08152	6 x 1/4 PAN HD SOCKET SCREW	2
11	250-00-00-302	SPACER	2
12	R07732	7/16 x 1 1/4 CARRIAGE BOLT	2
13	R07784	7/16 HEX NUT	2
14	R20613	50A54 W/8.67 BORE SPROCKET	1
15	250-00-00-124	3/16 KEY	1
16	242-00-00-066	CHAIN TIGHTENER	1
17	R20233	1 7/8 SQUARE WOOD BRG	1
18	R08046	1/2 - 13 JAM NUT	1
19	R07805	1/2 LOCK WASHER	10
20	R07785	1/2 HEX NUT	4
21	R07804	7/16 LOCK WASHER	2

SHAFT TUBE CON'T

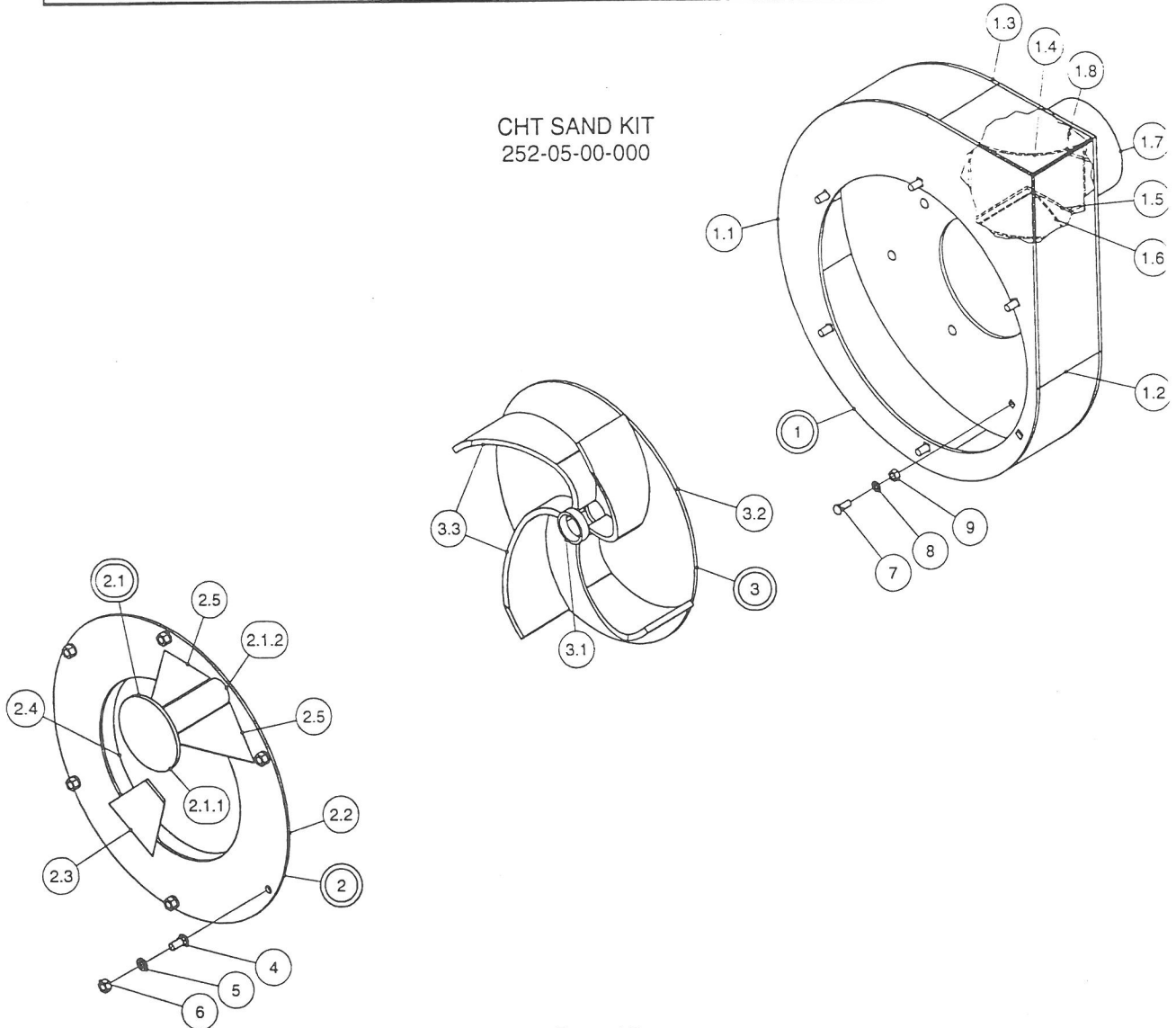
Parts List			
ITEM	PART NUMBER	DESCRIPTION	QTY
22	R07638	1/2 x 1 1/2 HEX BOLT	2
23	R07674	1/2 x 1 1/4 HEX BOLT	6
24	R07868	3/8 x 1 1/2 SOC. HD CAP SCREW	1
25	R07637	1/2 x 1 HEX BOLT	6
30	R07910	1/4 x 1/4" SET SCREW	2
31	R07797	3/8" UNF HEX NUT	1



CHT SAND KIT

ITEM	PART NUMBER	DESCRIPTION	QTY
1	252-06-00-000	CHT FAN HOUSING ASSY	1
1.1	252-06-00-316	CHT LOWER FAN HOUSING PLATE	1
1.2	252-06-00-317	CHT HOUSING BAND	1
1.3	252-06-00-315	CHT UPPER FAN HOUSING PLATE	1
1.4	252-06-00-319	CHT HOUSING DEFLECTOR PLATE	1
1.5	252-06-00-318	CHT SIDE PLATE	1
1.6	252-06-00-321	CHT INNER HOUSING RING	1
1.7	250-72-00-164	DISCHARGE TUBE	1
1.8	252-06-00-320	CHT CORNER GUSSET	2
2	252-08-00-000	COVER PLATE ASSY	1
2.1	250-04-03-000	FOOT ASSY	1
2.1.1	250-04-03-012	FOOT END	1
2.1.2	250-04-03-013	FOOT PLATE	1
2.2	252-08-00-324	CHT COVER PLATE	1
2.3	250-04-00-015	CUTTER PLATE	1
2.4	252-08-00-325	CHT INLET RING	1
2.5	250-04-00-173	FOOT GUSSET	2
3	252-07-00-000	CHT IMPELLER ASSY	1
3.1	250-03-11-018	IMPELLER GUIDE RING	1
3.2	252-07-00-322	CHT IMPELLER BACK PLATE	1
3.3	252-07-00-323	CHT IMPELLER BLADE	4
4	R07731	7/16 x 1 CARRIAGE BOLT	6
5	R07804	7/16 LOCK WASHER	6
6	R07784	7/16 HEX NUT	6
7	R07721	3/8 x 1 CARRIAGE BOLT	8
8	R07803	3/8 LOCK WASHER	8
9	R07783	3/8 HEX NUT	8

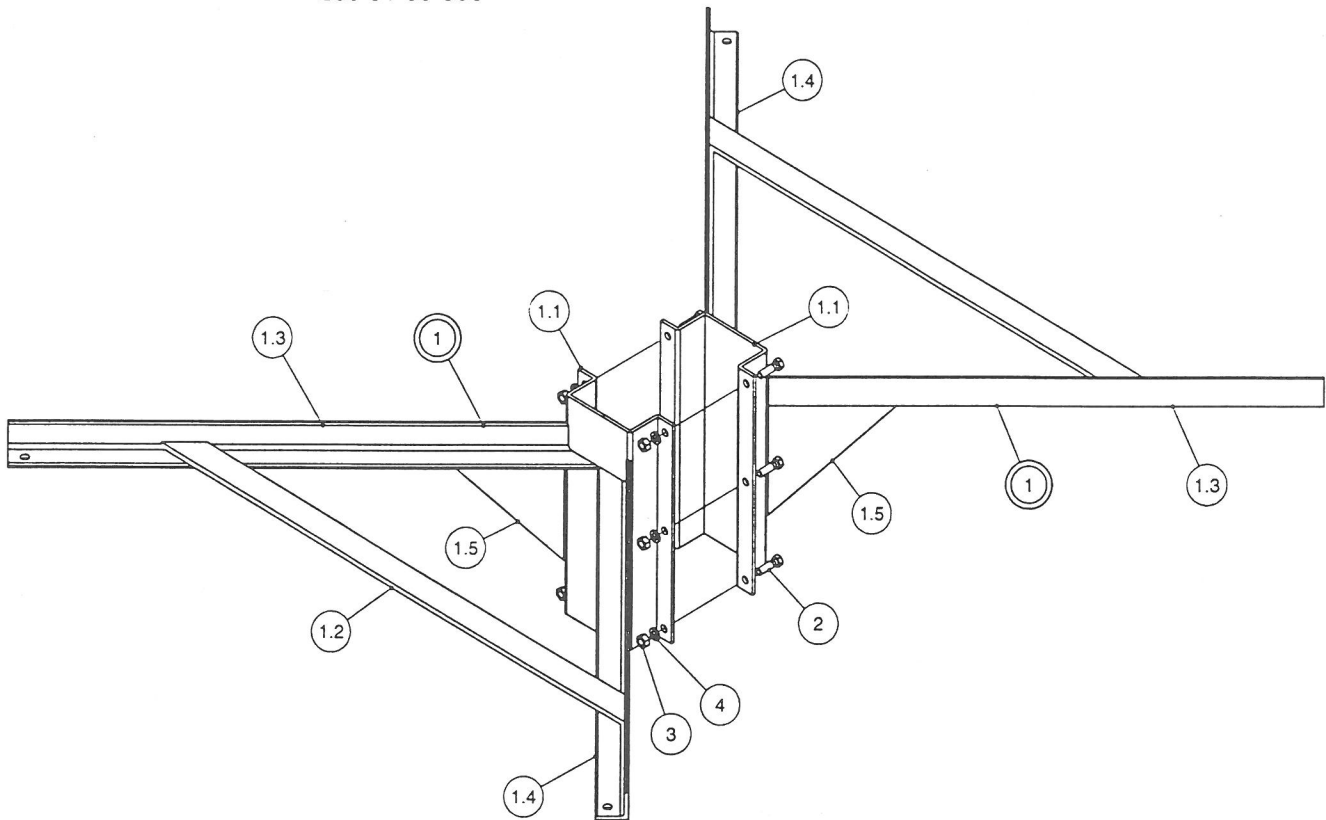
CHT SAND KIT
252-05-00-000

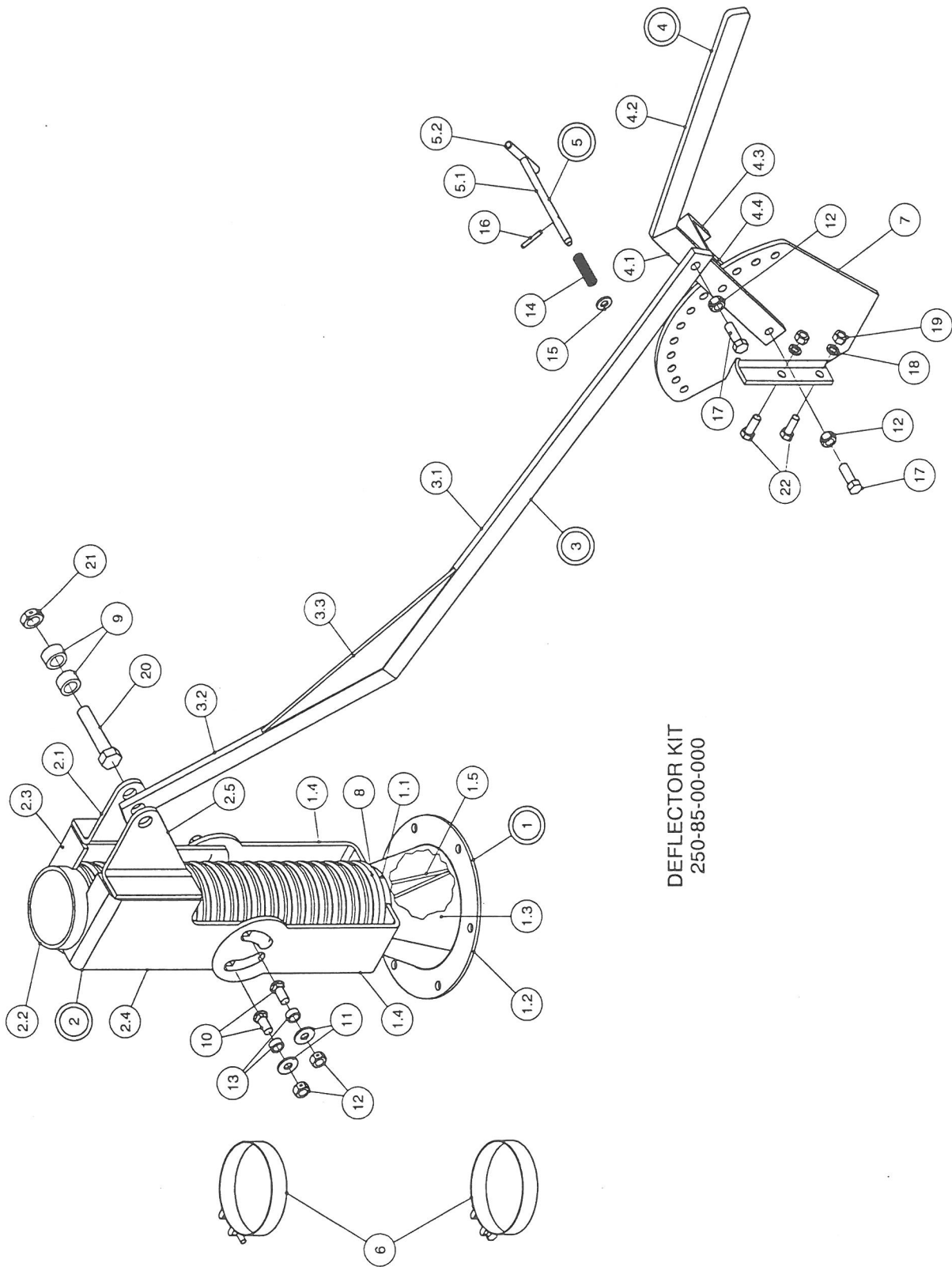


FLOOR X FRAME

ITEM	PART NUMBER	DESCRIPTION	QTY
1	250-91-55-000	FLOOR FRAME ASSY	2
1.1	250-88-48-250	SHAFT TUBE CLAMP BRACKET	2
1.2	250-91-55-262	FLOOR BRACKET BRACE	2
1.3	250-91-55-260	FLOOR BRACKET LEG LH	2
1.4	250-91-55-261	FLOOR BRACKET LEG RH	2
1.5	250-91-55-263	GUSSET	4
2	R07629	7/16 x 1 1/2 HEX BOLT	6
3	R07784	7/16 HEX NUT	6
4	R07804	7/16 LOCK WASHER	6

FLOOR X-FRAME
250-91-00-000



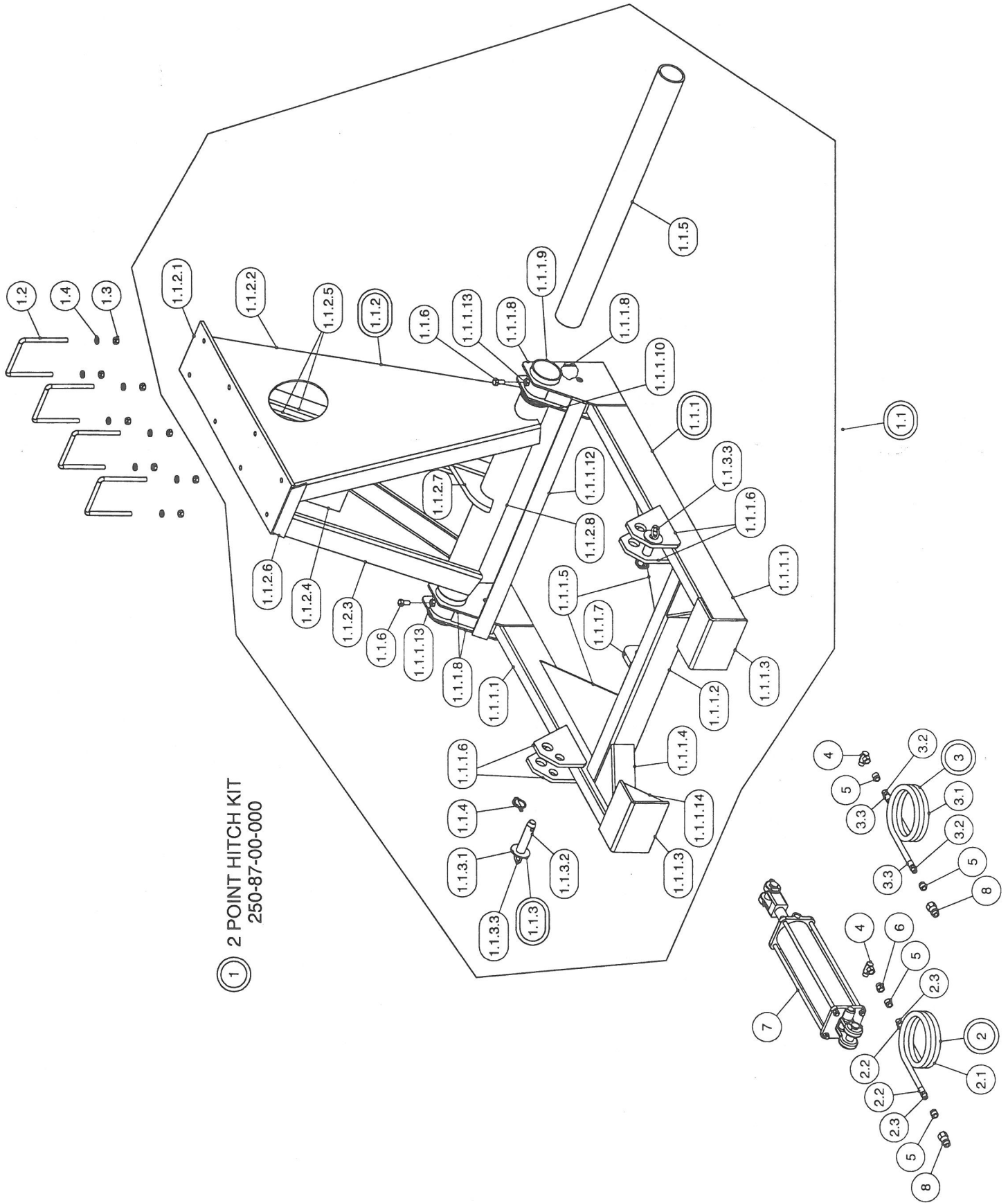


DEFLECTOR KIT
250-85-00-000

DEFLECTOR KIT CON'T

ITEM	PART NUMBER	DESCRIPTION	QTY
1	250-85-58-000	FLANGE & CONE ASSY	1
1.1	242-58-48-289	CONE EXTENSION PIPE	1
1.2	250-93-00-288	FLANGE	1
1.3	270-63-30-193	CONE HALF	2
1.4	242-58-48-288	OUTER PIVOT BRACKET	2
1.5	250-85-38-198	CONE RIBS	4
2	250-85-59-000	DEFLECTOR DISCHARGE ASSY	1
2.1	250-85-59-292	RH BRACKET	1
2.2	242-58-49-292	EXTENSION PIPE	1
2.3	242-58-49-290	RH INNER PIVOT BRACKET	1
2.4	242-58-49-291	LH INNER PIVOT BRACKET	1
2.5	250-85-59-293	LH BRACKET	1
3	250-85-40-000	DEFLECTOR ARM ASSY	1
3.1	250-85-40-203	MIDDLE DEFLECTOR BAR	1
3.2	250-85-40-202	BOTTOM DEFLECTOR BAR	1
3.3	250-85-40-205	DEFLECTOR ARM GUSSET	1
4	250-85-41-000	HANDLE ASSY	1
4.1	250-85-41-207	LOWER HANDLE	1
4.2	250-84-41-206	UPPER HANDLE	1
4.3	250-85-41-208	STABILIZER PIN BRACKET	1
4.4	250-85-41-209	SPRING STOP	1
5	250-85-42-000	STABILIZER PIN ASSY	1
5.1	250-85-42-212	PIN STEM	1
5.2	250-85-42-211	PIN HANDLE	1
6	R02481	4" CLAMP	2
7	250-85-00-213	ADJUSTING PLATE	1
8	242-58-00-296	FLEX HOSE	1
9	250-00-00-289	SPACER	2
10	R07731	7/16 x 1 CARRIAGE BOLT	4
11	R07824	7/16 FLAT WASHER	4
12	R07891	7/16 LOCK NUT	6
13	244-05-00-281	SPACER PIPE	4
14	R08024	SPRING	1
15	R07823	3/8 FLAT WASHER	1
16	R07977	3/16 x 1 1/4 ROLL PIN	1
17	R07671	7/16 x 1 1/4 HEX BOLT	2
18	R07803	3/8 LOCK WASHER	2
19	R07783	3/8 HEX NUT	2
20	R07649	5/8 x 3 HEX BOLT	1
21	R07887	5/8 2-WAY LOCK NUT	1
22	R07619	3/8 x 1 HEX BOLT	2

2 POINT HITCH



1 2 POINT HITCH KIT
250-87-00-000

2 POINT HITCH CON'T

Parts List			
ITEM	PART NUMBER	DESCRIPTION	QTY
1	250-87-00-000	2 POINT HITCH KIT	1
1.1	250-87-60-000	2 PT HITCH LESS HYD & "U" BOLTS	1
1.1.1	250-87-44-000	MAIN FRAME ASSY	1
1.1.1.1	250-87-44-215	LIFT ARM	2
1.1.1.2	250-87-44-216	CROSS BRACE	1
1.1.1.3	250-87-44-217	END CAP	2
1.1.1.4	250-87-44-218	ANGLE GUSSET	2
1.1.1.5	250-87-44-219	CROSS BRACE GUSSET	2
1.1.1.6	250-87-44-220	LIFT BRACKETS	4
1.1.1.7	250-87-44-221	CYLINDER LUG	1
1.1.1.8	250-87-44-222	TILT FRAME BRACKET	4
1.1.1.9	250-87-44-223	FRONT FRAME BRACKET SLEEVE	2
1.1.1.10	250-87-44-224	FRONT FILLER PLATE	2
1.1.1.11	250-87-44-225	REAR FILLER PLATE	2
1.1.1.12	250-87-44-226	CROSS STRAP	1
1.1.1.13	R07785	1/2 HEX NUT	2
1.1.1.14	250-87-44-335	GUSSET	2
1.1.2	250-87-45-000	TILT FRAME ASSY	1
1.1.2.1	250-87-45-235	TOP SUPPORT PLATE	1
1.1.2.2	250-87-45-228	LH SUPPORT ARM	1
1.1.2.3	250-87-45-229	RH SUPPORT ARM	1
1.1.2.4	250-87-45-233	TILT FRAME GUSSET	1
1.1.2.5	250-87-45-232	REINFORCING BARS	2
1.1.2.6	250-87-45-234	FRAME FRONT GUSSET	1
1.1.2.7	250-87-45-231	CYLINDER AXLE BRACKET	1
1.1.2.8	250-87-45-230	SUPPORT ARM SLEEVE	1
1.1.3	250-87-56-000	DRAW PIN ASSY	2
1.1.3.1	R07828	1" FLAT WASHER	1
1.1.3.2	250-87-56-264	DRAW PIN	1
1.1.3.3	R07925	1/4 x 1 1/2 PLATED RING	1
1.1.4	R08040	2 - 18 LYNCH PIN	2
1.1.5	250-87-00-227	INNER AXLE TUBE	1
1.1.6	R07637	1/2 x 1 HEX BOLT	2
1.2	R08174	"U" BOLT 1/2 - 13 UNC x 5	4
1.3	R07785	1/2 HEX NUT	8
1.4	R07805	1/2 LOCK WASHER	8
2	250-87-51-000	HYDRAULIC HOSE ASSY	1
2.1	250-87-51-258	HYDRAULIC HOSE	1
2.2	R21231	STEEL FERRULE - 1/4"	2
2.3	R20803	3/8 - 16 NPT SOLID MALE STEM	2
3	250-87-52-000	HYDRAULIC HOSE ASSY	1
3.1	250-87-52-259	HYDRAULIC HOSE	1
3.3	R21231	STEEL FERRULE - 1/4"	2
3.2	R20803	3/8 - 16 NPT SOLID MALE STEM	2
4	R21366	3/8" x 90 DEG. NPT STREET ELBOW	2
5	R02043	BUSHING 1/2 x 3/8	4
6	R21336	3/8 - 18 RESTRICTOR	1
7	R20724	4 x 14 HYDRAULIC CYLINDER	1
8	R21342	PIONEER ENDS	2

K-31 BONDIOLI PTO

KEY	MFG	R#	DESCRIPTION	QTY
1	572060351	R21651	1 3/8 6T QD YOKE - 540 RPM	1
	572063751	R21652	1 3/8 21T QD YOKE - 1000 RPM	*
2	41204	R21653	CROSS JOURNAL ASSY	2
3	3380200000	R21654	CIRCLIP	8
4	348004000	R21655	GREASE NIPPLE	2
5	204066851	R21656	OUTER TUBE YOKE	1
6	341-042000	R21657	FLEXIBLE PIN	1
7	225211496	R21658	CARDAN TUBE	1
8	225161496	R21659	CARDAN TUBE	1
9	341043000	R21660	FLEXIBLE TUBE	1
10	204066852	R21661	INNER TUBE YOKE	1
11	606604001	R21662	TORQUE LIM SB6/6	1
12	255060005	R21663	O BEARING 6-7	1
13	517050071	R21664	O CONE SETS N5-6-7	1
14	236831436	R21665	SAFETY TUBE	1
15	236821436	R21666	SAFETY TUBE	1
16	517050061	R21667	I. CONE SETS N5-6-7	1
17	255060006	R21688	I. BEARING 6-7	1
18	403000001	R21669	COMPLETE PUSH BUTTON	1
19	240080061	R21670	HUB	1
20	213060020	R21671	YOKE	1
21	348012000	R21672	GREASE NIPPLE	1
22	362003000	R21539	5/16 BALL	24
23	513080336	R21674	HUB c/w QD	1
24	401000001	R21451	COMPLETE PUSH BUTTON	1
25		R21603	M10-1.5 x 60 HEX BOLT	1
26		R21605	M10-1.5 NYLON LOCK NUT	1
27	5N06166NN	R21679	SAFETY GUARD	1

