

*Office Copy  
Oct 24/86 15 copies  
April 21/87 15 copies*

DATE PURCHASED \_\_\_\_\_ MACHINE SERIAL NO. \_\_\_\_\_

SIZE OF PUMP \_\_\_\_\_ OPTIONS \_\_\_\_\_

PLEASE NOTE:

The key number system in this parts book is arranged as follows:

- 0 --Key number with one circle denotes main assemblies
- Key numbers not circled are individual parts

Please order parts by number

HUSKY

PROPELLER AGITATOR

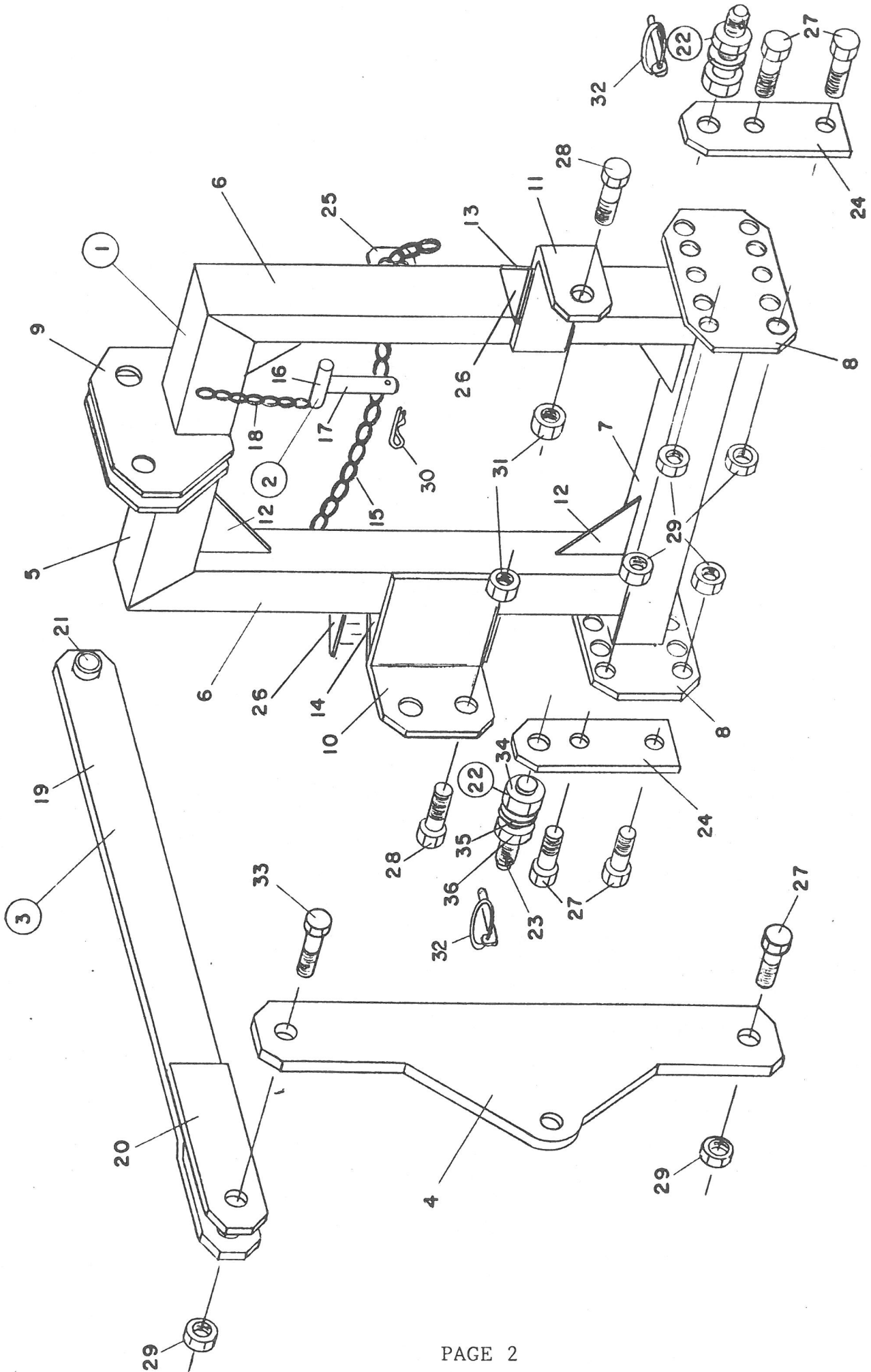
OPERATING INSTRUCTIONS:

We welcome you as an owner of a Husky Propeller Agitator. These machines will last a long time with a very minimum of maintenance time. We suggest you move the machine from the pit when not in use and simply wash it off. The bottom bearing is a manure type bearing which is lubricated with the manure itself and needs no further maintenance.

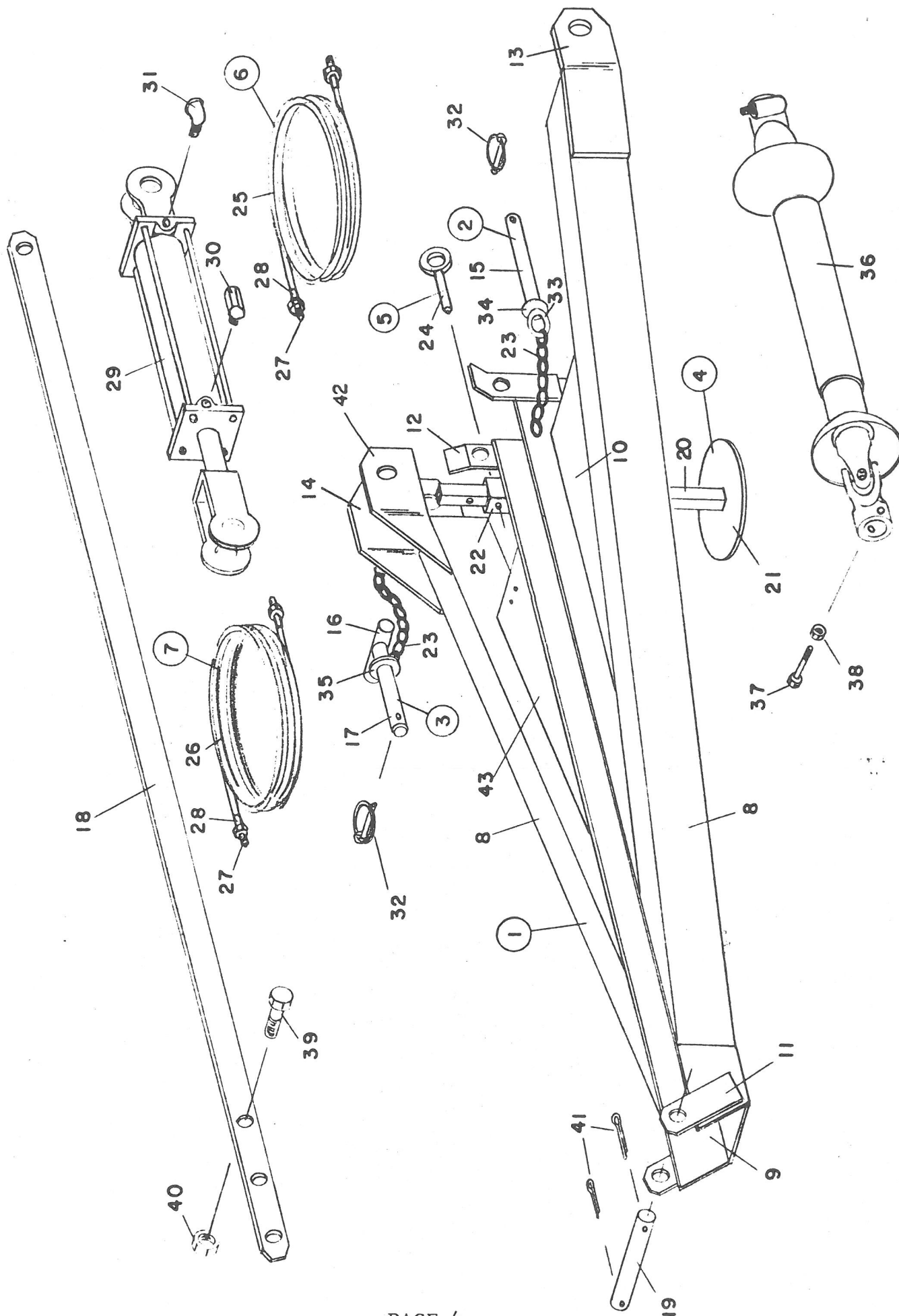
With the Hydraulic Cylinder on the top of the prop it is possible, by removing a pin, to hinge the prop in the middle allowing flexibility for getting through concrete lids etc. Make sure when in use that the PTO knuckles are both taking equal amount of bend otherwise propeller might vibrate.

CAUTION:

Do not enter a manure pit storage or spreader at any time while there is danger of gas from the manure. Have a ladder in your pit, so that if by accident you should fall in, you can get out again. Keep all lids closed and open pits fenced to keep children and animals out.

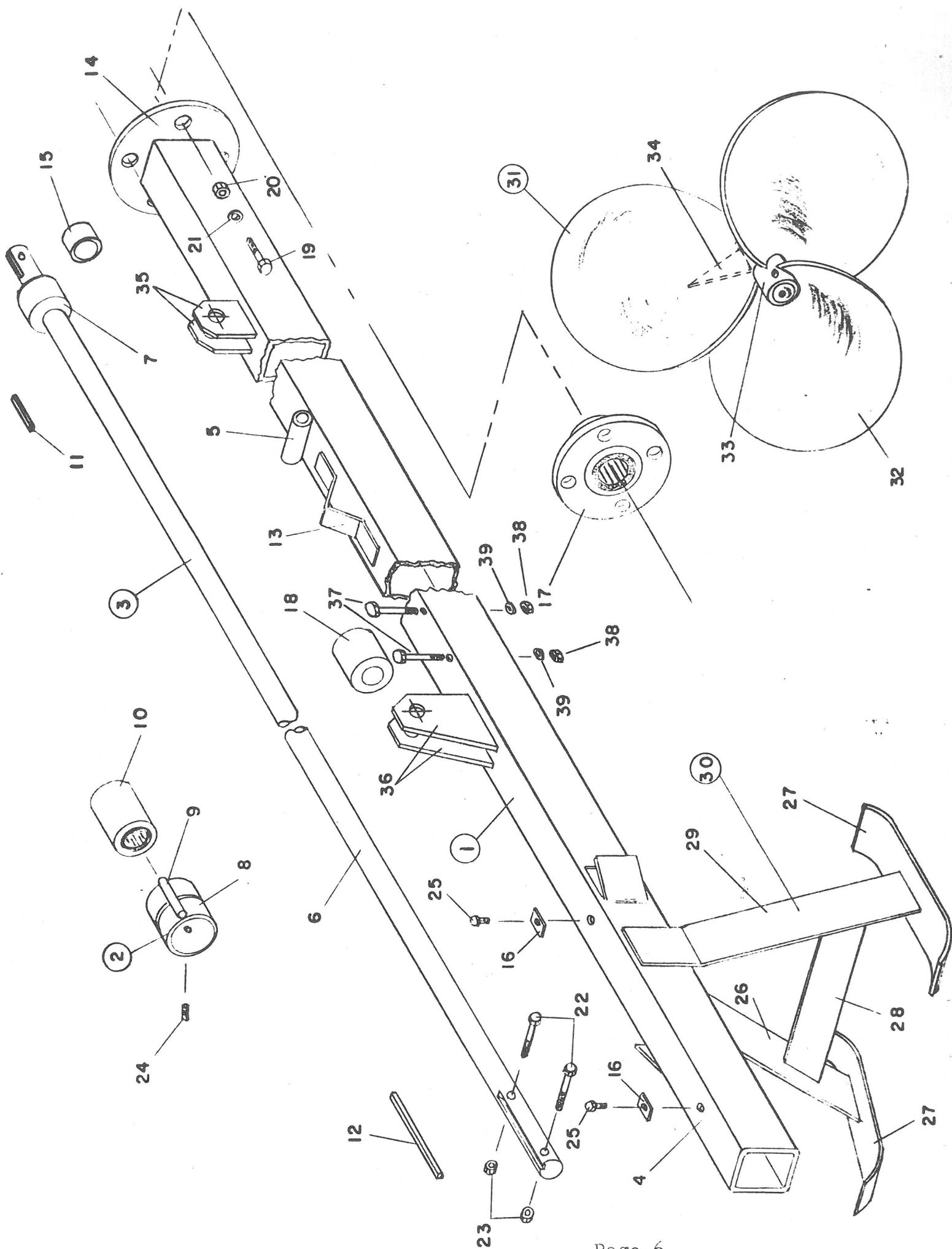


KEY	PART NUMBER	DESCRIPTION	QTY
1	280-20-00-000	HITCH FRAME	1
2	280-20-03-000	TEE BAR ASSY	1
3	280-21-00-000	UPPER LIFT ARM ASSY	1
4	280-00-00-096	LOWER LIFT ARM	1
5	280-20-00-058	HITCH TOP MEMBER	1
6	280-20-00-059	HITCH SIDE MEMBER	2
7	280-20-00-060	HITCH BOTTOM MEMBER	1
8	280-20-00-061	HITCH ADJUSTMENT PLATE	2
9	280-20-00-062	UPPER LINK CONNECTOR PLATE	2
10	280-20-00-063	R H PIVOT BRKT	1
11	280-20-00-064	L H PIVOT BRKT	1
12	280-20-00-065	HITCH FRAME GUSSET	4
13	280-20-00-066	L H PIVOT BRKT GUSSET	1
14	280-20-00-067	R H PIVOT BRKT GUSSET	1
15	280-20-00-068	PTO SUPPORT CHAIN	1
16	280-20-03-069	TEE BAR HANDLE	1
17	280-20-03-070	TEE BAR SHAFT	1
18	280-20-03-071	TEE BAR CHAIN	1
19	280-21-00-072	UPPER LIFT ARM	1
20	280-21-00-073	UPPER LIFT ARM BRKT	1
21	280-21-00-074	UPPER LIFT ARM SLEEVE	1
22	270-56-00-000	HITCH PIN COMPLETE	2
23	270-56-00-160	HITCH PIN	2
24	280-00-00-085	HITCH PLATE	2
25	270-09-00-132	PTO CHAIN FASTENER	1
26	280-20-00-095	HITCH FRAME GUSSET	4
27	R07655	3/4 X 2 1/2 HEX HD BOLT	5
28	R07663	1 X 3 HEX BOLT	2
29	R07781	3/4 HEX LOCK NUT	6
30	R07948	5/32 HAIRPIN	1
31	R07882	1" HEX LOCK NUT	2
32	R08040	S-18 LYNCH PIN	2
33	R07656	3/4 X 3 HEX BOLT	1
34	R07798	1 1/8 - 12 UNF HEX NUT	2
35	R07810	1 1/8 LOCKWASHER	2
36	R07796	1 1/8 - 12 UNF HEX JAM NUT	2



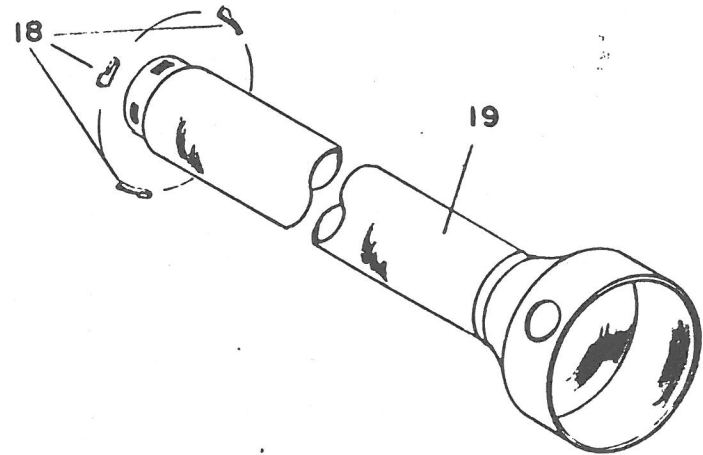
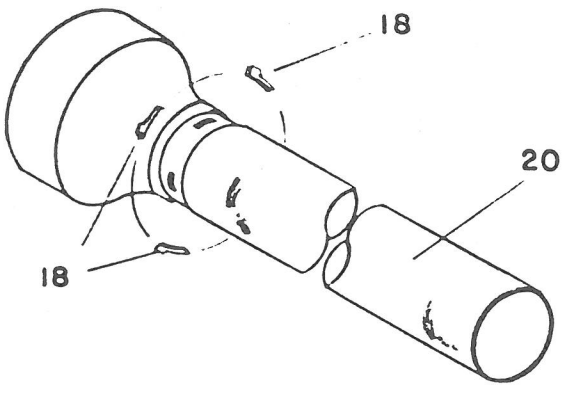
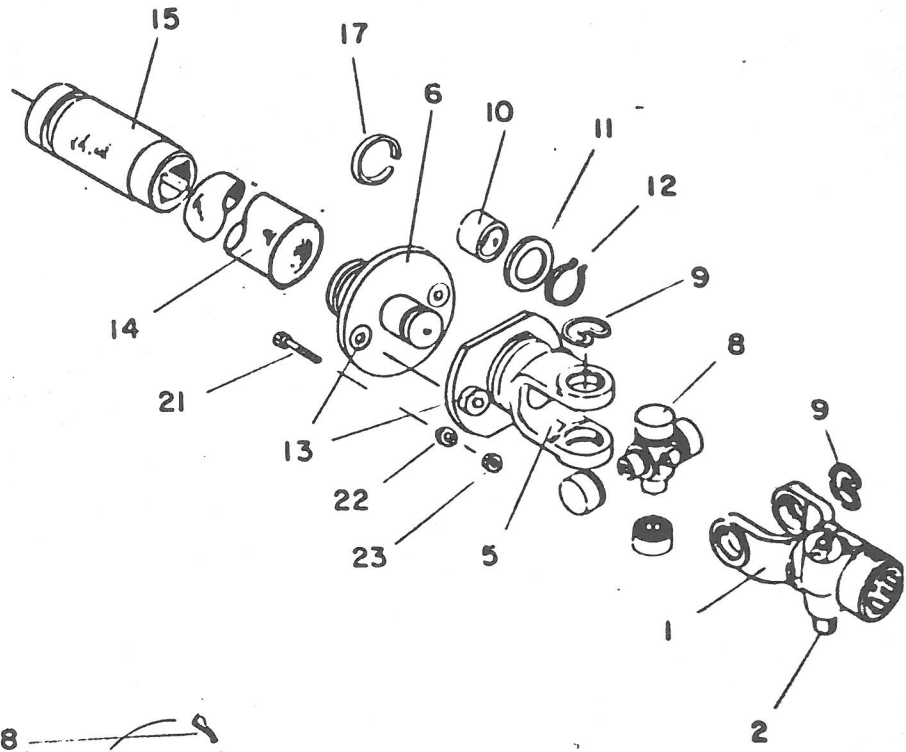
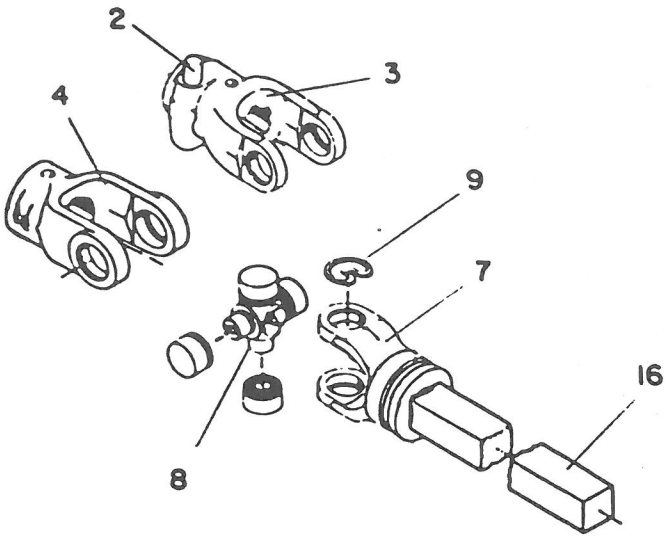
KEY	PART NUMBER	DESCRIPTION	QTY
1	280-23-00-000	LIFT FRAME ASSY	1
2	280-23-04-000	HOLD DOWN PIN ASSY	1
3	280-23-05-000	PIVOT BRKT PIN ASSY	1
4	280-09-00-000	STAND ASSY	1
5	280-10-00-000	PIN ASSY	1
6	242-34-00-000	HYD HOSE ASSY	1
7	242-35-00-000	HYD HOSE ASSY	1
8	280-23-00-077	LOWER LIFT ARMS	2
9	280-23-00-078	MAIN TUBE SEAT	1
10	280-23-00-079	LOWER LIFT ARM GUSSET	1
11	280-23-00-080	PIVOT PIN BRKT	2
12	280-23-00-081	HOLD DOWN PIN BRKT	2
13	280-23-00-082	L H LOWER LIFT ARM BRKT	1
14	280-23-00-083	R H LOWER LIFT ARM BRKT	1
15	280-23-04-084	HOLD DOWN PIN	1
16	280-23-05-091	PIVOT BRKT PIN HANDLE	1
17	280-23-05-092	PIVOT BRKT PIN	1
18	280-00-00-090	CYLINDER ADJUSTMENT BAR	1
19	280-00-00-089	PIVOT PIN	1
20	280-09-00-042	STAND TUBE	1
21	280-09-00-043	PAD	1
22	280-01-01-006	STAND SLEEVE	1
23	280-20-03-071	CHAIN	2
24	280-10-00-044	PIN	1
25	242-34-00-158	HYDRAULIC HOSE	1
26	242-35-00-159	HYDRAULIC HOSE	1
27	R20825	1/4" SOLID MALE STEM	4
28	R20805	FERRULE	4
29	R20727	3 X 8 HYDRAULIC CYLINDER	1
30	R21335	90 DEGREE RESTRICTOR PLUG	1
31	R02103	1/2" STREET ELBOW	1
32	R08040	LYNCH PIN	2
33	R07925	PLATED RING	1
34	R07827	3/4" FLAT WASHER	1
35	R07828	1" PLATED WASHER	1
36	R20371	1480 PTO 540 RPM	1
	R20372	1480 PTO 1000 RPM 21T	*
37	R07634	7/16 X 4 HEX HD BOLT	1
38	R07891	7/16 HEX LOCK NUT	1
39	R07663	1" X 3 HEX BOLT	1
40	R07882	1" HEX LOCK NUT	1
41	R20122	3/16 COTTER PIN	1
42	280-23-00-093	PIVOT BRKT	1
43	280-23-00-094	R H LOWER LIFT ARM GUSSET	1

\* OPTIONAL



KEY	PART NUMBER	DESCRIPTION	QTY
1	280-04-00-000	DRIVE SHAFT TUBE ASSY - 20 FT.	1
	282-17-00-000	DRIVE SHAFT TUBE ASSY - 24 FT.	*
2	280-14-00-000	BRG HOLDER ASSY	2
3	280-05-00-000	DRIVE SHAFT ASSY - 20 FT.	1
	282-18-00-000	DRIVE SHAFT ASSY - 24 FT.	*
4	280-04-00-027	DRIVE SHAFT TUBE - 20 FT.	1
	282-17-00-053	DRIVE SHAFT TUBE - 24 FT.	*
5	280-04-00-087	PIVOT PIN PIPE	1
6	280-05-00-030	DRIVE SHAFT - 20 FT.	1
	282-18-00-057	DRIVE SHAFT - 24 FT.	*
7	280-05-00-031	THRUST BLOCK	1
8	280-14-00-047	BRG HOLDER	2
9	280-14-00-048	BRG HOLDER STABILIZER ROD	2
10	242-78-00-000	HALF MARINE BRG	2
11	280-00-00-046	3/8 X 3/8 X 2 KEY	1
12	280-00-00-045	3/8 X 3/8 X 6 1/2 KEY	1
13	300-01-00-012	LIFT HOOK	1
14	280-04-00-051	BRG FLANGE	1
15	280-00-00-052	SPACER PIPE	1
16	250-05-00-126	S.S. SET SCREW LUG 20 FT.	3
		24 FT.	4
17	R20206	1 3/4 FLANGE SPHERICAL ROLLER BRG	1
18	R20232	1 7/8 WOOD BRG 20 FT.	1
		24 FT.	2
19	R07639	1/2 X 2 HEX HD BOLT	4
20	R07785	1/2 HEX HD NUT	4
21	R07805	1/2" LOCK WASHER	4
22	R07642	1/2 X 3 1/2 HEX HD BOLT	2
23	R07885	1/2" LOCK NUTS	2
24	R07928	3/8 X 1/2 S.S. SET SCREW	2
25	R08217	1/2 X 1 1/4 S.S. HEX HD. BOLT 20 FT.	3
		24 FT.	4
26	280-08-00-037	R H REAR SUPPORT LEG	1
27	280-08-00-039	REAR SUPPORT PADS	2
28	280-08-00-040	LEG BRACE	1
29	280-08-00-038	L H REAR SUPPORT LEG	1
30	280-08-00-000	REAR SUPPORT ASSY	1
31	280-15-00-000	HUB & PROPELLER ASSY 540 RPM	1
	280-16-00-000	HUB & PROPELLER ASSY 1000 RPM	*
32	280-15-00-049	PROPELLER BLADE 540 RPM	3
	280-16-00-050	PROPELLER BLADE 1000 RPM	3
33	280-07-00-034	PROPELLER HUB	1
34	280-07-00-035	PROPELLER GUSSET	3
35	280-04-00-086	LIFT ARM LUG	2
36	280-04-00-088	CYLINDER BAR BRKT	2
37	R07626	3/8 X 5 HEX BOLT 20 FT	2
		24 FT	4
38	R07783	3/8 HEX NUT 20 FT	2
		24 FT	4
39	R07803	3/8 LOCK WASHER 20 FT	2
		24 FT	4
		* OPTIONAL	

# 1480 SERIES PTO





1480 SERIES PTO

KEY	PART NUMBER	DESCRIPTION	QTY
1	R20381	QD YOKE 1 3/8 6 T 540 RPM	1
	R20383	QD YOKE 1 3/8 21T 1000 RPM	*
	R20392	QD YOKE 1 3/4 20T 1000 RPM	*
2	R20305	QD PARTS KIT FOR 1 3/8 6T YOKE	-
	R20394	QD PARTS KIT FOR 1 3/8 21T YOKE	-
	R20406	QD PARTS KIT FOR 1 3/4 27T & 20T YOKE	-
3	R20382	QD YOKE 1 3/4 27T	*
4	R20384	1 3/4 ROUND HOLE YOKE	1
5	R20389	SHEAR PLATE YOKE	1
6	R20390	STUB SHEAR PLATE FLANGE	1
7	R20391	SQ HOLE YOKE	1
8	R20385	JOURNAL & BRG KIT	2
9	R20405	SNAP RING FOR J&B KIT	8
10	R20255	1 1/4 ID X 1 1/2 OD X 1/2 BRASS BUSHING	1
11	R20395	THRUST WASHER	1
12	R20393	SNAP RING	1
13	R20312	5/16 SHEAR PLATE BUSHING	4
14	R20401	PROP SHAFT TUBE 2 3/4 OD X .109 WALL	-
15	R20403	DOUBLE SLEEVE ASSY.	1
16	R20398	1 5/16 SQ. BAR	-
17	R20387	GUIDE RING	1
18	R20388	SAFETY SHIELD BRG KIT	8
19	R20410	INNER SHIELD ASSY	1
20	R20409	OUTER SHIELD ASSY	1
21	R07613	5/16 X 2 HEX SHEAR BOLT -GRADE 5	2
22	R07802	5/16 LOCK WASHER	2
23	R07782	5/16 HEX NUT	2

\* OPTIONAL

