

Date Purchased _____ Machine Serial No. _____

Size of Agitator _____ Options _____

The key number system in this parts book is arranged as follows:

- ⊙ - Key numbers with two circles denotes main assemblies.
- - Key numbers with one circle are individual parts

Please order parts by number



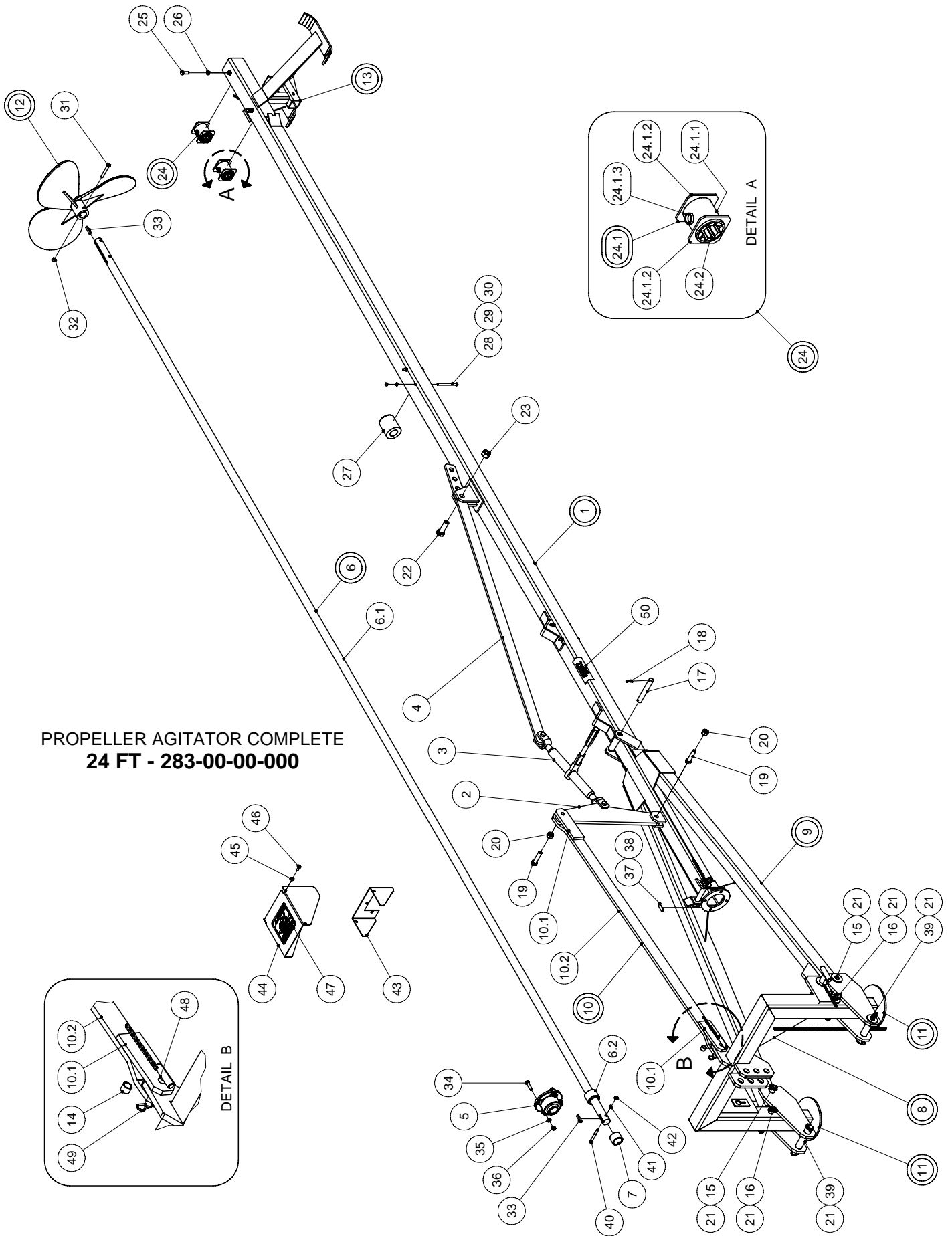
PROPELLER AGITATOR

24ft PROPELLER AGITATOR • 283-00-00-000

OPERATING INSTRUCTIONS:

1. Do not leave propeller in manure pit – remove propeller from pit – wash off and coat with old oil or diesel fuel.
2. Grease top thrust bearing five to ten shots daily.
3. Grease the PTO knuckles daily and oil the slide tube.
4. To allow propeller proper flexibility to manoeuvre through concrete holes, remove Pins – Item #48 from “Propeller Agitator Complete” page, and Item # 2 from “Lift Frame Assy” page.
5. Make sure when in use that the PTO knuckles are both taking equal amount of bend otherwise propeller might vibrate.
6. **EXTREME DANGER** – Never enter a dirty manure spreader or storage tank – one breath of hydrogen sulphide gas is enough to kill. Have a ladder in your pit, so that if by accident you should fall in, you can get out.

PROPELLER AGITATOR COMPLETE

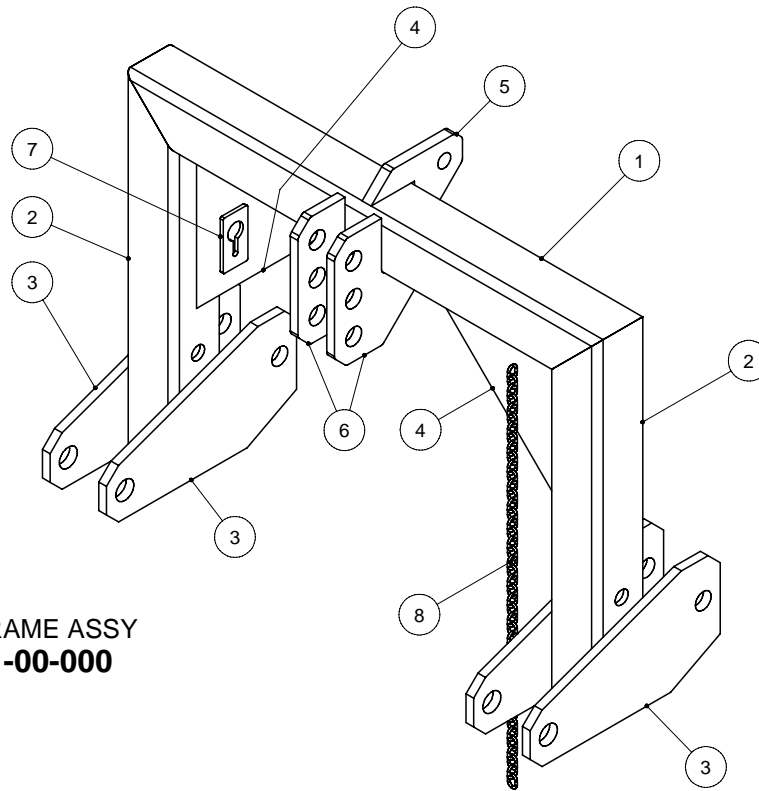


PROPELLER AGITATOR COMPLETE
24 FT - 283-00-00-000

PROPELLER AGITATOR COMPLETE

PARTS LIST				PARTS LIST			
ITEM	PART NUMBER	DESCRIPTION	QTY	ITEM	PART NUMBER	DESCRIPTION	QTY
1	282-28-00-000	24 FT DRIVE SHAFT TUBE ASSY	1	24.1.2	280-24-00-099	BEARING SLEEVE FLANGE	2
2	280-00-00-096	LOWER LIFT ARM	1	24.1.3	280-24-00-100	SET SCREW SLEEVE	1
3	R09545	RATCHET JACK DC-20	1	24.2	R20223	URETHANE	1
4	280-00-00-090	CYLINDER ADJUSTMENT BAR	1	25	R07638	1/2 x 1 1/2 UNC HEX BOLT	2
5	R20206	1 3/4" THRUST BEARING	1	26	R08046	1/2 - 13 JAM NUT	2
6	282-29-00-000	DRIVE SHAFT ASSY - 24 PROP	1	27	R20232	1 7/8 WOOD BRG	2
6.1	282-29-00-107	DRIVE SHAFT - 24 FT	1	28	R07626	3/8 x 5 UNC HEX BOLT	4
6.2	280-05-00-031	THRUST BEARING BLOCK	1	29	R07803	3/8" LOCK WASHER	4
7	280-00-00-052	SPACER PIPE	1	30	R07783	3/8-16 UNC HEX NUT	4
8	480-01-00-000	HITCH FRAME ASSY	1	31	R07642	1/2 x 3 1/2 UNC HEX BOLT	2
9	283-01-00-000	FRAME AND HITCH	1	32	R07885	1/2 - 2 WAY LOCK NUT	2
10	283-02-00-000	UPPER LIFT ARM ASSY	1	33	270-00-00-075	3/8 KEY - 50mm LONG	2
10.1	280-21-00-073	UPPER LIFT ARM BRKT	2	34	R07639	1/2 x 2 UNC HEX BOLT	4
10.2	283-02-00-008	UPPER LIFT ARM	1	35	R07805	1/2" LOCK WASHER	4
11	480-06-00-000	STAND ASSY	2	36	R07785	1/2-13 UNC HEX NUT	4
12	280-31-00-000	540 OVERSIZED PROP ASSY	1	37	R09071	SERIAL NUMBER PLATE	1
13	285-02-00-000	TONGUE MOUNTING BRKT ASSY	1	38	R08152	6 x 1/4 PAN HD SOCKET SCREW	2
14	283-00-00-009	BUSHING	1	39	480-13-00-000	HITCH PIN ASSY	2
15	480-08-00-000	PIVOT PIN ASSY	2	40	R07633	7/16 x 3 1/2 HEX BOLT	1
16	480-15-00-000	LEG PIN ASSY	2	41	R07804	7/16" LOCK WASHER	1
17	280-00-00-089	PIVOT PIN	1	42	R07784	7/16-14 UNC HEX NUT	1
18	R08013	3/16 x 2 COTTER PIN	2	43	280-00-00-115	PTO GUARD MOUNT	1
19	R07656	3/4 x 3 UNC HEX BOLT	2	44	296-00-00-033	PTO GUARD	1
20	R07878	3/4 UNC NYLOCK NUT	2	45	R07886	3/8-16 UNC 2-WAY LOCK NUT	2
21	R08040	2 - 18 LYNCH PIN	7	46	R07619	3/8 x 1 UNC HEX BOLT	2
22	R07663	1 x 3 UNC HEX BOLT	1	47	R09785	"DANGER ROTATING DRIVELINE"	1
23	R07882	1" - 2 WAY LOCK NUT	1			DECAL	
24	280-25-00-000	SHORT BRG & HOLDER COMPLETE	2	48	280-20-03-000	TEE BAR ASSY	1
24.1	280-24-00-000	SHORT BRG HOLDER ASSY	1	49	R07948	5/32 HAIR PIN	1
24.1.1	280-24-00-098	BRG SLEEVE	1	50	R09502	"HUSKY" DECAL	1

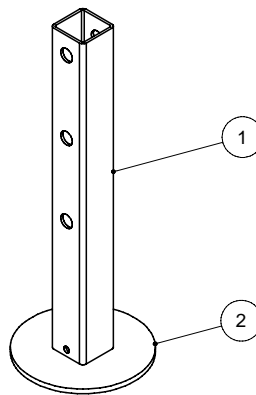
HITCH FRAME ASSY



HITCH FRAME ASSY
480-01-00-000

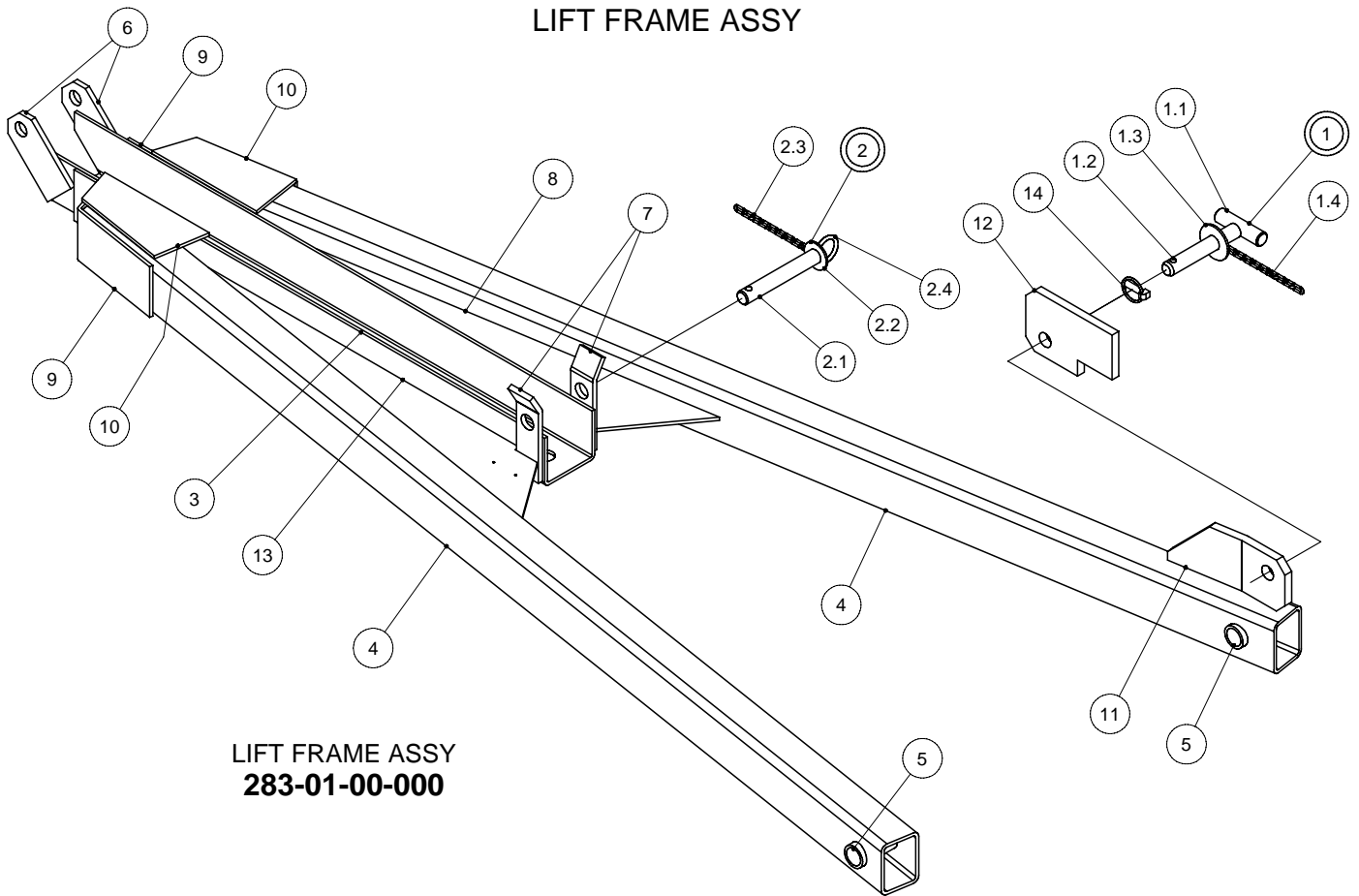
PARTS LIST			
ITEM	PART NUMBER	DESCRIPTION	QTY
1	480-01-00-002	HITCH FRAME TOP PC	1
2	480-01-00-001	HITCH FRAME SIDE	2
3	480-01-00-005	HITCH PLATE	4
4	480-01-00-004	GUSSET	2
5	480-01-00-009	CYLINDER BRKT	1
6	480-01-00-003	UPPER LINK CONN PLATE	2
7	480-01-00-008	CHAIN BRKT	1
8	480-01-00-044	PTO RETAINING CHAIN	1

STAND ASSY
480-06-00-000



PARTS LIST			
ITEM	PART NUMBER	DESCRIPTION	QTY
1	480-06-00-045	STAND LEG	1
2	480-06-00-046	STAND FOOT	1

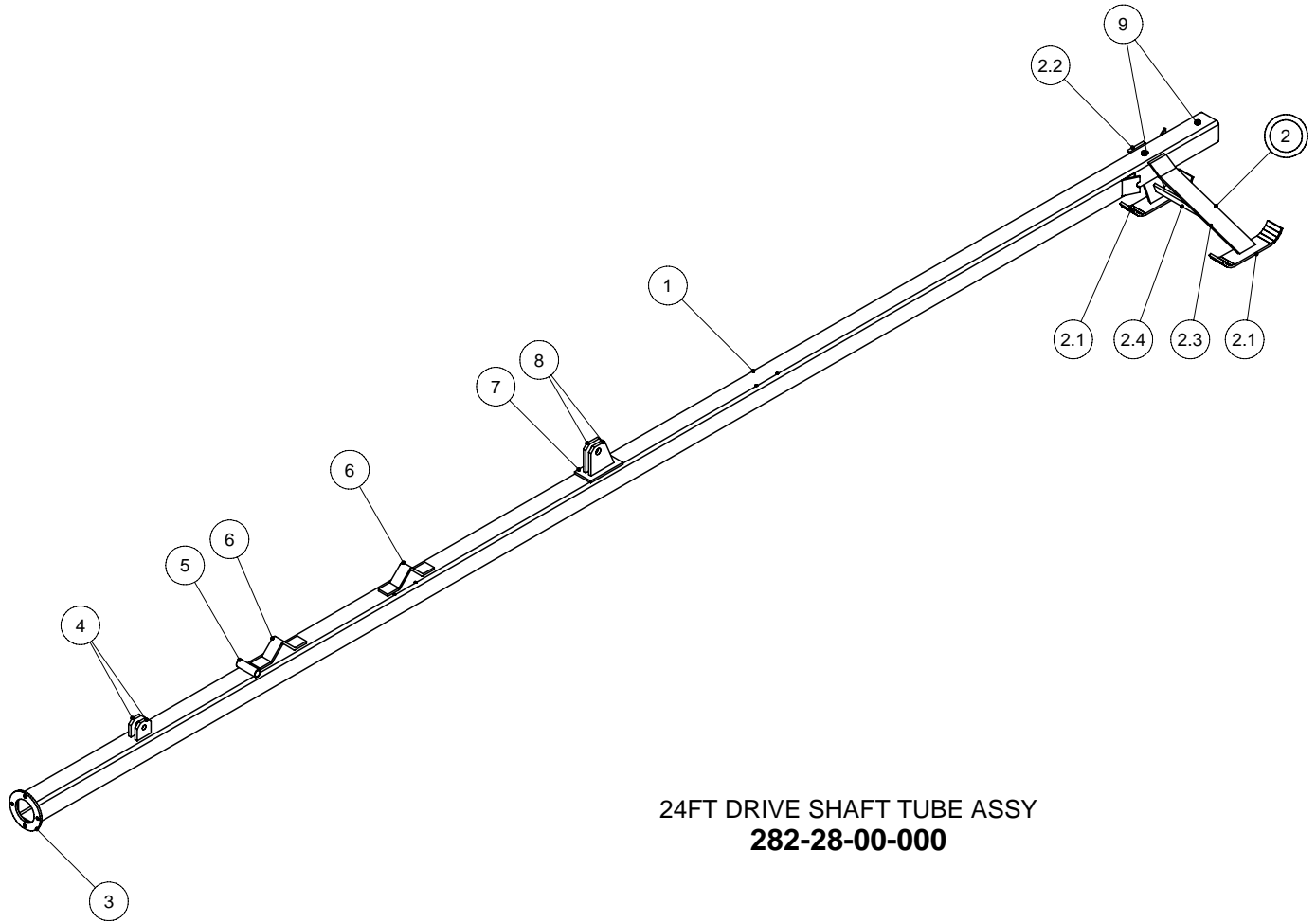
LIFT FRAME ASSY



**LIFT FRAME ASSY
283-01-00-000**

PARTS LIST			
ITEM	PART NUMBER	DESCRIPTION	QTY
1	280-23-05-000	PIVOT BRKT PIN ASSY	1
1.1	280-23-05-091	PIVOT BRKT PIN HANDLE	1
1.2	280-23-05-092	PIVOT BRKT PIN	1
1.3	R07828	1" FLAT WASHER	1
1.4	280-20-03-071	TEE BAR CHAIN	1
2	280-23-04-000	HOLD DOWN PIN ASSY	1
2.1	280-23-04-084	HOLD DOWN PIN	1
2.2	R07827	3/4" FLAT WASHER	1
2.3	280-20-03-071	TEE BAR CHAIN	1
2.4	250-00-00-354	1/4 X 1 1/2" RING	1
3	280-23-00-078	MAIN TUBE SEAT	1
4	283-01-00-001	LIFT ARM	2
5	480-03-00-015	BUSHING	2
6	280-23-00-080	PIVOT PIN BRKT	2
7	280-23-00-081	HOLD DOWN PIN BRKT	2
8	283-01-00-002	RH LOWER LIFT ARM GUSSET	1
9	283-01-00-004	LOWER LIFT ARM CAP	2
10	283-01-00-005	LIFT ARM CAP	2
11	283-01-00-006	PIVOT BRKT	1
12	283-01-00-007	FRAME LOCK BRKT	1
13	283-01-00-003	LH LOWER LIFT ARM GUSSET	1
14	R08040	2 - 18 LYNCH PIN	1

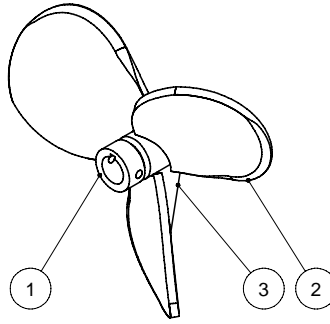
DRIVE SHAFT TUBE ASSY - 24FT



24FT DRIVE SHAFT TUBE ASSY
282-28-00-000

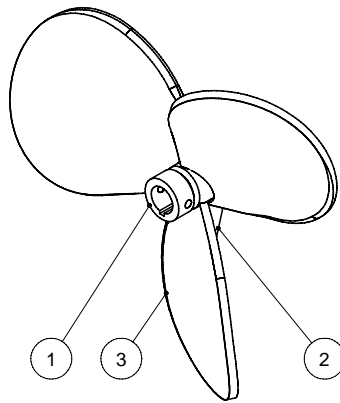
PARTS LIST			
ITEM	PART NUMBER	DESCRIPTION	QTY
1	282-28-00-106	DRIVE SHAFT TUBE - 24FT	1
2	280-08-00-000	REAR SUPPORT ASSY	1
2.1	280-08-00-039	REAR SUPPORT PADS	2
2.2	280-08-00-038	L.H. REAR SUPPORT LEG	1
2.3	280-08-00-037	R.H. REAR SUPPORT LEG	1
2.4	280-08-00-040	LEG BRACE	1
3	280-04-00-051	BEARING FLANGE	1
4	280-04-0-086	LIFT ARM LUG	2
5	280-04-00-087	PIVOT PIN PIPE	1
6	300-01-00-012	TANK LIFT HOOK	2
7	280-26-00-111	REINFORCING PLATE	1
8	280-04-00-088	CYLINDER BAR BRKT	2
9	R08304	1/2 S.S. FLANGE NUT	2

PROPELLER BLADES



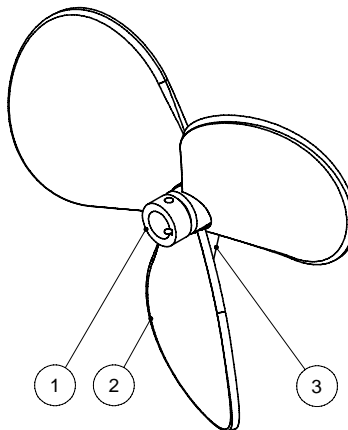
Ø21.13"
1000 RPM OPTIONAL PROPELLER
280-16-00-000

PARTS LIST			
ITEM	PART NUMBER	DESCRIPTION	QTY
1	280-07-00-034	PROPELLER HUB	1
2	280-16-00-050	1000 RPM PROP BLADE	3
3	280-07-00-035	GUSSET	3



Ø26.6"
540 RPM STANDARD PROPELLER
280-15-00-000

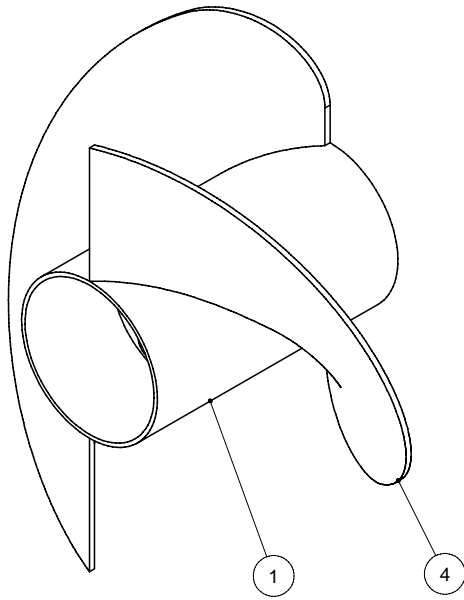
PARTS LIST			
ITEM	PART NUMBER	DESCRIPTION	QTY
1	280-07-00-034	PROPELLER HUB	1
2	280-07-00-035	GUSSET	3
3	280-15-00-049	540 RPM PROPELLER BLADE	3



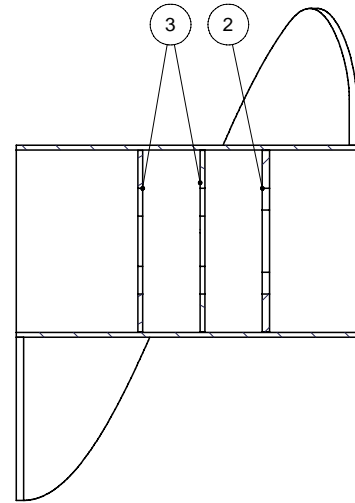
Ø28.56"
540 RPM OVERSIZE PROPELLER
280-31-00-000

PARTS LIST			
ITEM	PART NUMBER	DESCRIPTION	QTY
1	280-07-00-034	PROPELLER HUB	1
2	280-31-00-109	540 OVERSIZED PROP BLADE	3
3	280-07-00-035	GUSSET	3

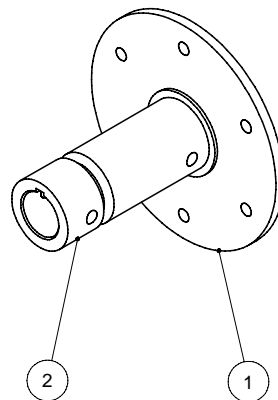
AUGER & HUB ASSY



**AUGER ASSY
485-05-00-000**



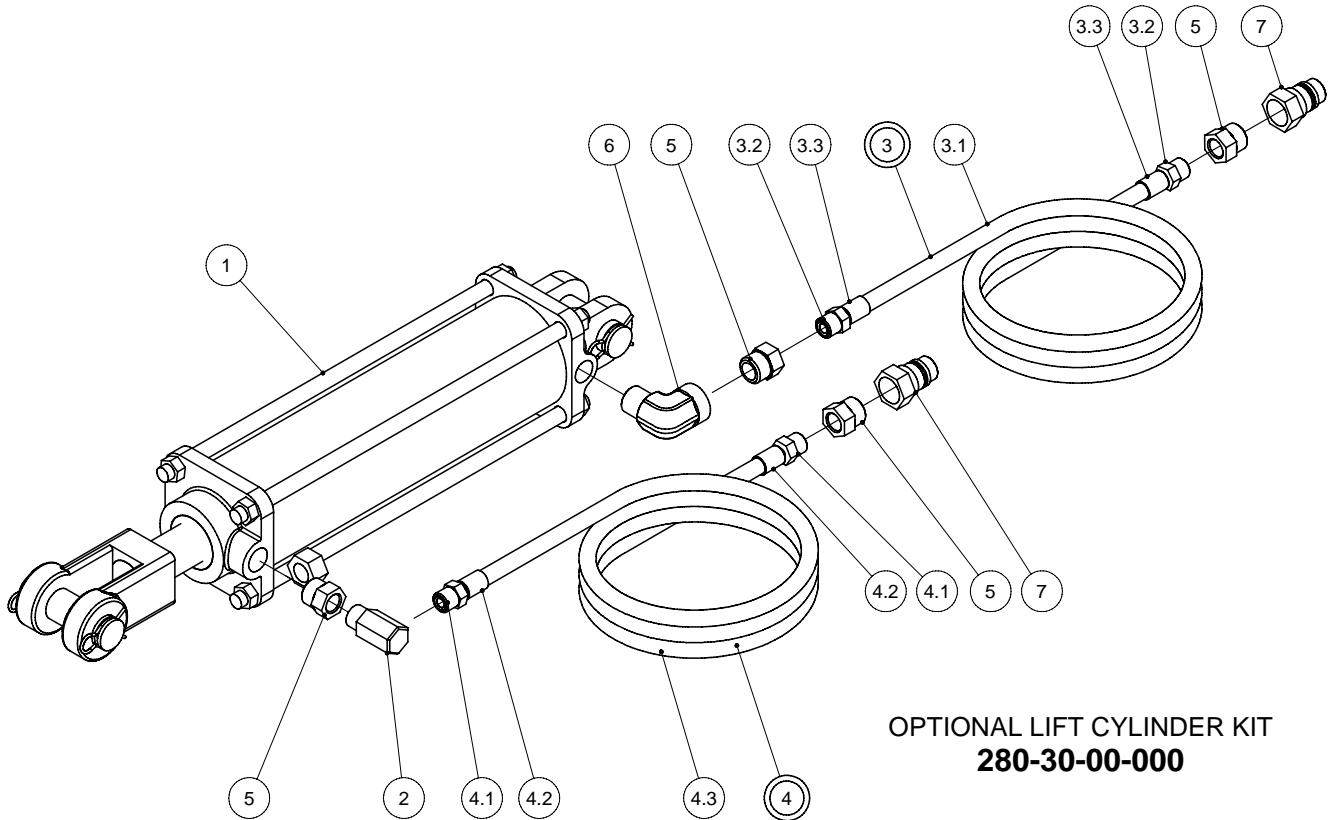
PARTS LIST			
ITEM	PART NUMBER	DESCRIPTION	QTY
1	485-05-00-024	AUGER TUBE	1
2	485-05-00-025	END FLANGE	1
3	485-05-00-026	MIDDLE FLANGE	2
4	485-05-00-027	AUGER FLITE	2



**AUGER HUB ASSY
485-04-00-000**

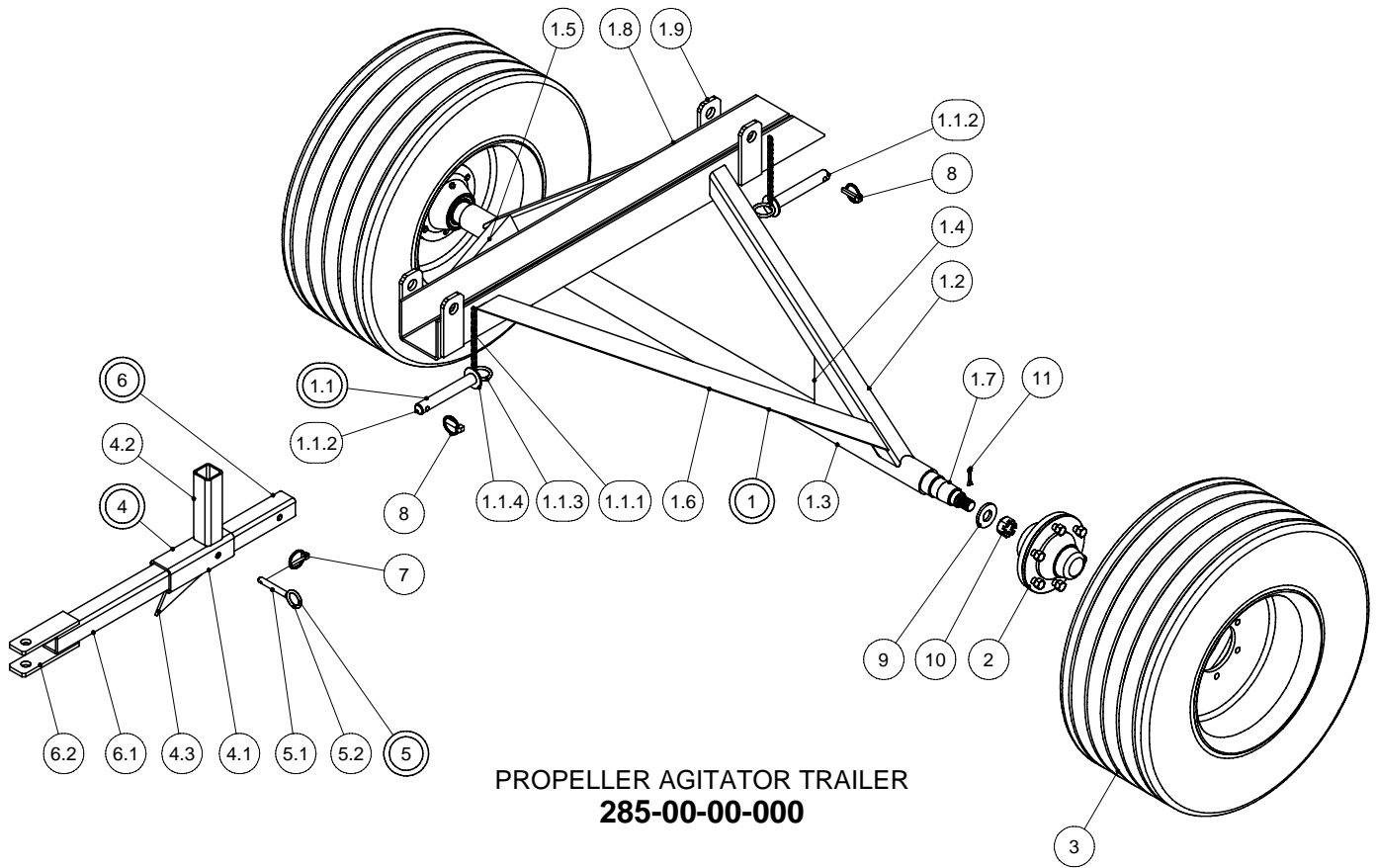
PARTS LIST			
ITEM	PART NUMBER	DESCRIPTION	QTY
1	485-04-00-023	HUB FLANGE	1
2	485-04-00-022	AUGER HUB	1

OPTIONAL LIFT KIT



PARTS LIST			
ITEM	PART NUMBER	DESCRIPTION	QTY
1	R20727	3 x 8 HYDRAULIC CYLINDER	1
2	R21335	1/2" x 90 ° NPT RESTRICTOR	1
3	242-34-00-000	HYDRAULIC HOSE ASSY	1
3.1	242-34-00-158	HYDRAULIC HOSE	1
3.2	R20803	3/8 - 16 NPT SOLID MALE STEM	2
3.3	R21231	STEEL FERRULE - 1/4"	2
4	242-35-00-000	HYDRAULIC HOSE ASSY	1
4.1	R20803	3/8 - 16 NPT SOLID MALE STEM	2
4.2	R21231	STEEL FERRULE - 1/4"	2
4.3	242-35-00-159	HYDRAULIC HOSE - 14000L	1
5	R02043	BUSHING 1/2 x 3/8	4
6	R21367	1/2 X 90 HYD ELBOW	1
7	R21342	1/2" MALE PIONEER TIP	2

PROPELLER AGITATOR TRAILER

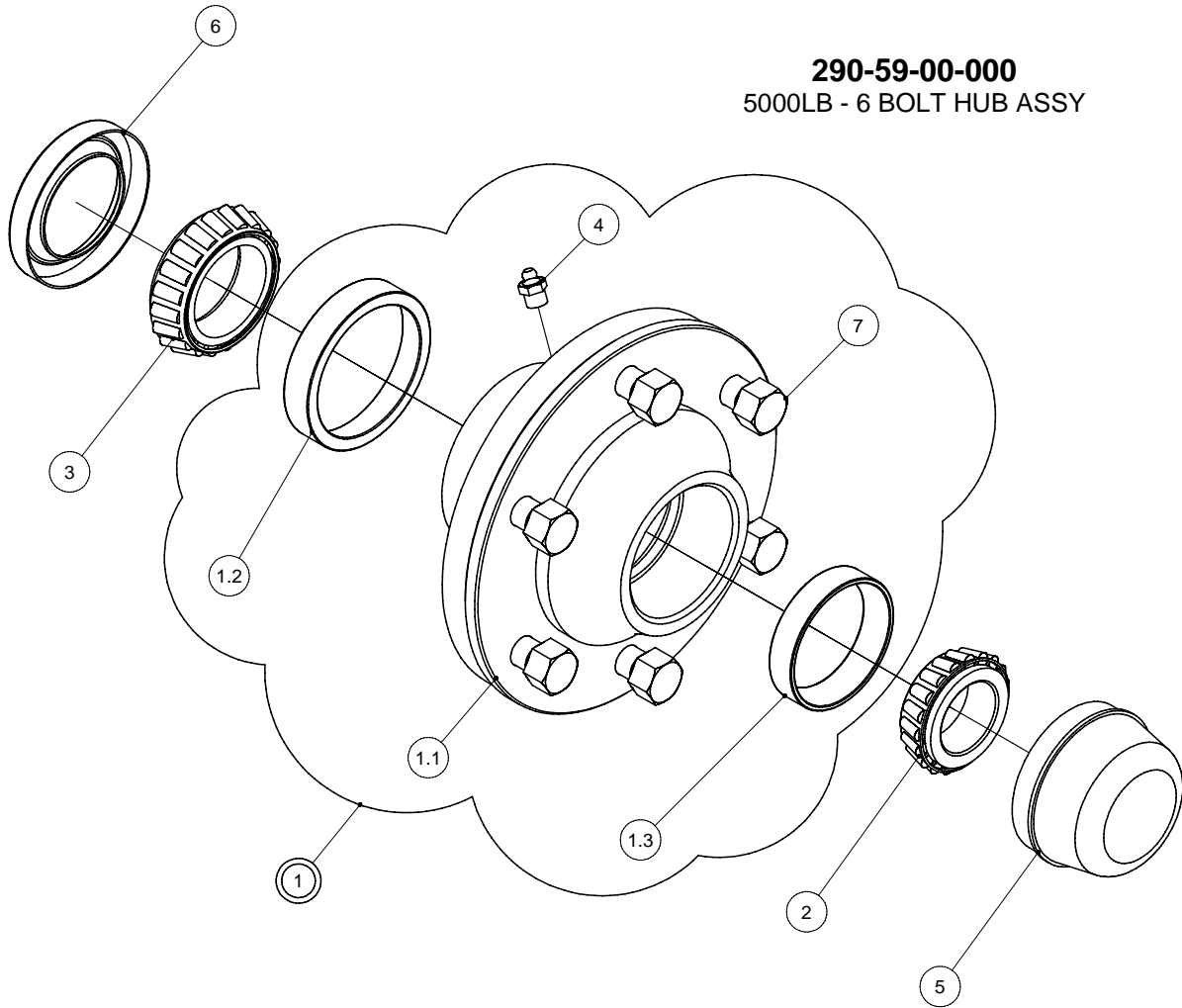


**PROPELLER AGITATOR TRAILER
285-00-00-000**

PARTS LIST				PARTS LIST			
ITEM	PART NUMBER	DESCRIPTION	QTY	ITEM	PART NUMBER	DESCRIPTION	QTY
1	285-07-00-000	TRAILER ASSY	1	4	285-02-00-000	TONGUE MOUNTING BRKT ASSY	1
1.1	280-23-04-000	HOLD DOWN PIN ASSY	2	4.1	285-02-00-007	HITCH SLEEVE	1
1.1.1	280-20-03-071	TEE BAR CHAIN	1	4.2	285-02-00-012	TONGUE MOUNT SUPPORT	1
1.1.2	280-23-04-084	HOLD DOWN PIN	1	4.3	285-02-00-008	HITCH GUSSET	1
1.1.3	250-00-00-354	1/4 X 1 1/2" RING	1	5	285-04-00-000	TONGUE PIN ASSY	1
1.1.4	R07827	3/4" FLAT WASHER	1	5.1	285-04-00-011	TONGUE PIN	1
1.2	480-10-01-056	"A" FRAME ARM	2	5.2	R07925	1/4 x 1 1/2 PLATED RING	1
1.3	480-10-01-054	TRAILER CROSS TUBE	1	6	285-03-00-000	TONGUE ASSY	1
1.4	480-10-01-055	"A" FRAME GUSSET	2	6.1	285-03-00-009	TONGUE	1
1.5	480-10-01-058	RH ANGLE SUPPORT	1	6.2	285-03-00-010	TONGUE PLATE	2
1.6	480-10-01-057	LH ANGLE SUPPORT	1	7	R08041	1/4" LYNCH PIN	1
1.7	247-01-01-033	SPINDLE	2	8	R08040	2 - 18 LYNCH PIN	2
1.8	285-01-00-001	SADDLE	1	9	R20118	SPINDLE WASHER	2
1.9	285-01-00-005	HOLD DOWN BRKT	4	10	R20117	SPINDLE NUT	2
2	290-59-00-000	5000LB - 6 BOLT HUB ASSY	2	11	R08013	3/16 x 2 COTTER PIN	2
3	247-07-00-000	TIRE & WHEEL ASSY P275/60R15	2				

5000LB 6 BOLT HUB ASSY

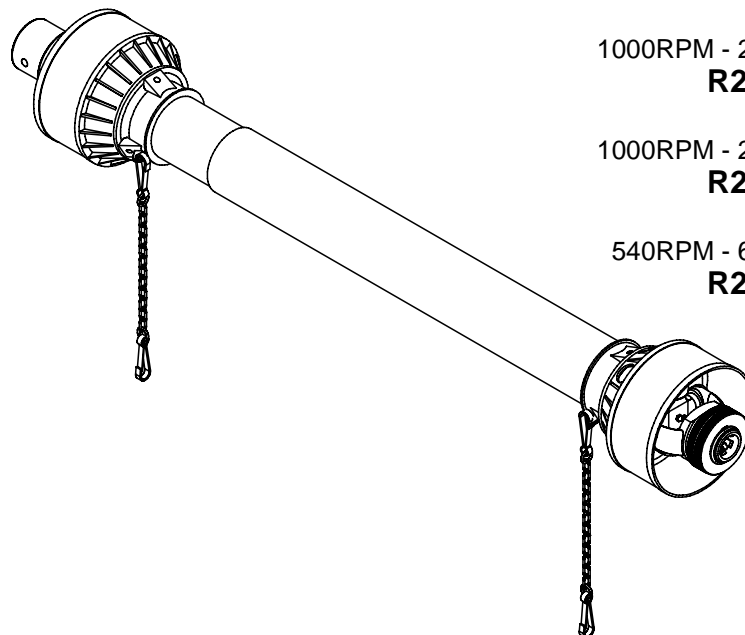
290-59-00-000
5000LB - 6 BOLT HUB ASSY



PARTS LIST			
ITEM	PART NUMBER	DESCRIPTION	QTY
1	R22055	5000LB HUB w/ CUPS	1
1.1	R22054	5000LB HUB - 6 BOLT	1
1.2	R22058	INNER CUP LM603049	1
1.3	R22060	OUTER CUP LM48510	1
2	R22061	OUTER CONE LM48548	1
3	R22059	INNER CONE LM603049	1
4	R08186	1/8" NPT GREASE FTG	1
5	R22062	DUST CAP	1
6	R22063	SEAL CR2004	1
7	R20110	9/16 UNF WHEEL BOLT	6

**BONDIOLI & PAVESI PTO
w/ 1 3/4" SHEAR YOKE**

PARTS LIST				
ITEM	MFG #	PART NUMBER	DESCRIPTION	QTY
1	5F08101FFFX	R21629	SAFETY GUARD COMPLETE	1
1.1	5FE8101FFFX	R21627	HALF SAFETY GUARD - OUTER	1
1.1.1	236850732	R21618	CM SAFETY TUBE	1
1.1.2	517080130	R21610	OUTER CONE SETS N8-9	1
1.1.3	255080005R02	R21609	I. BEARING 3-4	1
1.2	5F18101FFFX	R21628	HALF SAFETY GUARD - INNER	1
1.2.1	236840732	R21617	CM SAFETY TUBE	1
1.2.2	255080006R02	R21608	I. BEARING 3-4	1
1.2.3	517080120	R21611	INNER CONE SETS N8-9	1
2	572083851	R21644	1 3/8 - 20 TOOTH QD YOKE w/ SLEEVES	1
2	572080351	R21641	1 3/8 - 6 TOOTH QD YOKE w/ SLEEVES	1
2	572083751	R21640	1 3/8 - 21 TOOTH QD YOKE w/ SLEEVES	1
2.1	240003551	R21713	R.S. COLLAR KIT	1
2.2	403000001R10	R21669	COMPLETE PUSH BUTTON	1
3	41208	R21614	CROSS JOURNAL ASSY	2
3.1	338023000	R21621	CIRCLIP	4
3.2	348004000	R21655	GREASE NIPPLE 45 DEG	1
4	606598802R	R21648	1 3/4" RD HOLE SHEAR YOKE	1
5	252000005R02	R21738	SHIELD TIE CHAIN	2
6	225690803	R21615	CARDAN TUBE - INNER	1
7	225730803	R21616	CARDAN TUBE - OUTER	1
8	204086860	R21620	OUTER TUBE YOKE	1
9	204086861	R21619	INNER TUBE YOKE	1
10	341051000	R21613	FLEXIBLE PIN	1
11	34105500R10	R21612	FLEXIBLE PIN	1
12		R21523	"SHIELD MISSING" DECAL	1
13		R21521	"ROTATING DRIVE LINE" DECAL	1



1000RPM - 21 TOOTH PTO
R22201

1000RPM - 20 TOOTH PTO
R22202

540RPM - 6 TOOTH PTO
R22200