

Date Purchased _____ Machine Serial No. _____

Size of Agitator _____ Options _____

The key number system in this parts book is arranged as follows:

- Key numbers with two circles denotes main assemblies.
- Key numbers with one circle are individual parts

Please order parts by number



24ft HD AUGER AGITATOR

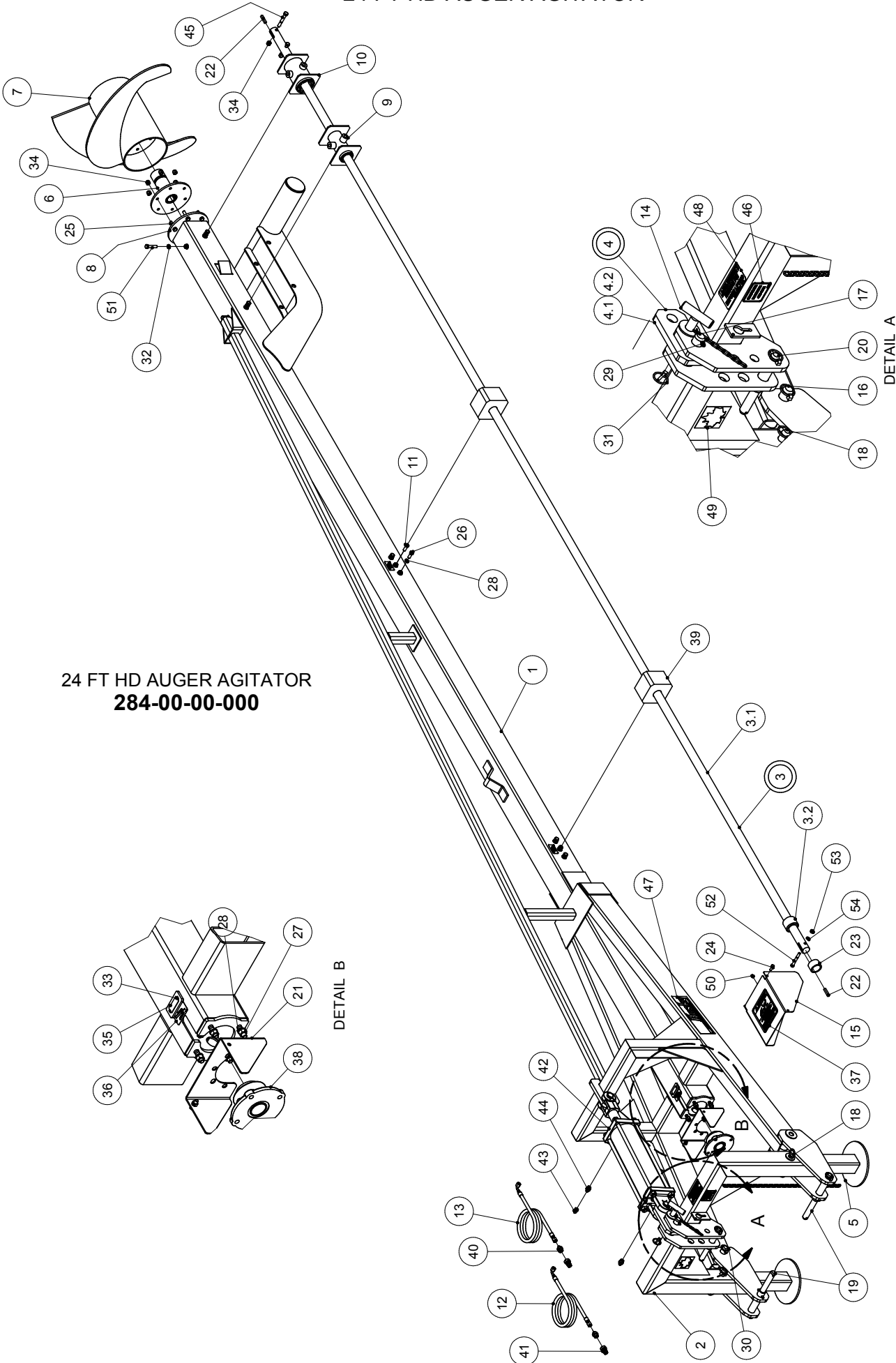
284-00-00-000

OPERATING INSTRUCTIONS:

We welcome you as an owner of a Husky Auger Agitator. To ensure this machine reaches its maximum life span and operates at an optimum level, we recommend the following:

1. Do not leave agitator in manure pit – remove agitator from pit – wash off and coat with old oil or diesel fuel.
2. Grease top thrust bearing five to ten shots daily.
3. Grease the wood bearings five shots daily.
4. Grease the PTO knuckles daily and oil the slide tube.
5. Make sure when in use that the PTO knuckles are both taking equal amount of bend otherwise propeller might vibrate.
6. **EXTREME DANGER** – Never enter a dirty manure spreader or storage tank – one breath of hydrogen sulphide gas is enough to kill. Have a ladder in your pit, so that if by accident you should fall in, you can get out.

24 FT HD AUGER AGITATOR



24 FT HD AUGER AGITATOR
284-00-00-000

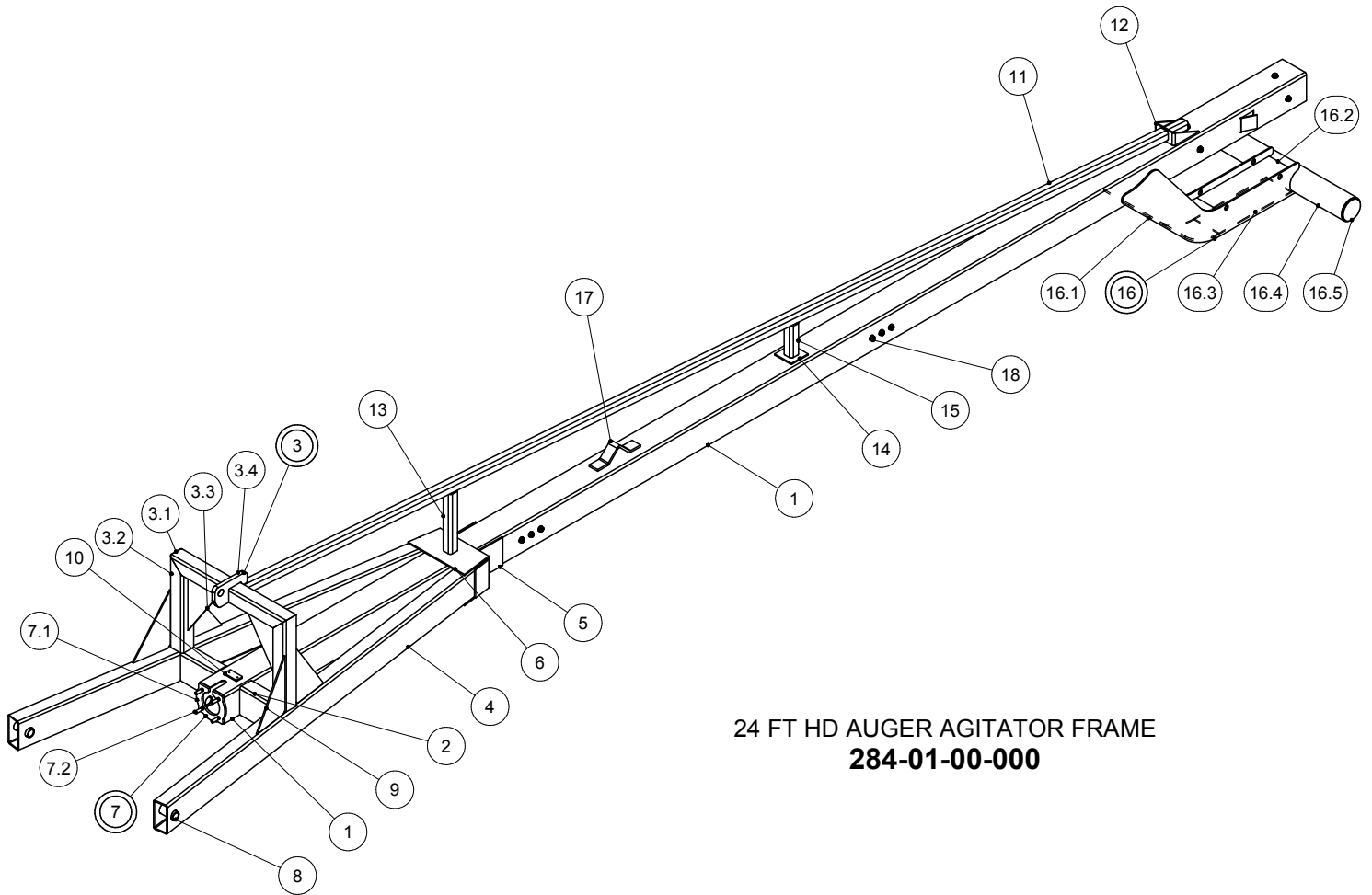
DETAIL B

DETAIL A

24 FT HD AUGER AGITATOR

PARTS LIST				PARTS LIST			
ITEM	PART NUMBER	DESCRIPTION	QTY	ITEM	PART NUMBER	DESCRIPTION	QTY
1	284-01-00-000	24 FT HD MAIN FRAME ASSY	1	26	R07674	1/2-13 UNC x 1.25 HEX BOLT GR.5	4
2	480-01-00-000	HITCH FRAME ASSY	1	27	R07785	1/2-13 UNC HEX NUT - ZINC	4
3	282-29-00-000	DRIVE SHAFT ASSY - 24 PROP	1	28	R07805	1/2 LOCK WASHER - ZINC	8
3.1	282-29-00-107	DRIVE SHAFT - 24 FT	1	29	R08016	1/4 x 2 COTTER PIN	1
3.2	280-05-00-031	THRUST BEARING BLOCK	1	30	R08040	7/16" LYNCH PIN	4
4	480-07-00-000	CYLINDER BAR ASSY	1	31	R08041	1/4" LYNCH PIN	1
4.1	480-07-00-047	CYLINDER BAR	1	32	R08046	1/2-13 UNC HEX JAM NUT - ZINC	4
4.2	480-07-00-049	BUSHING	1	33	R08152	#6 x 1/4" PAN HD SOCKET SCREW	2
5	480-06-00-000	STAND ASSY	2	34	R08219	1/2-13 UNC NYLOCK NUT - ZINC	8
6	485-04-00-000	AUGER HUB ASSY	1	35	R09071	SERIAL NUMBER PLATE	1
7	485-05-00-000	AUGER ASSY - STANDARD (RH)	1	36	R09582	GREASE SYMBOL DECAL	3
8	485-19-00-000	REINFORCING HUB ASSY	1	37	R09785	"DANGER ROTATING DRIVELINE"	1
9	242-22-00-000	1 3/4" MARINE BRG HOLDER COMPLETE	1	38	R20206	1 3/4" THRUST BRG W/GREASE NIPPLE	1
10	244-13-00-000	2 3/4" MARINE BRG HOLDER COMPLETE	1	39	R20235	5.58" SQ WOOD BEARING	2
				40	R23094	ORB-10 x 3/8" JIC M ADAPTOR	2
11	244-88-00-000	WOOD BEARING GREASE BOLT KIT	2	41	R23182	MALE PIONEER TIP-ORB-10	2
12	250-87-51-000	HYDRAULIC HOSE ASSY	1	42	R23321	50TH16 HYD CYL-ORB	1
13	250-87-52-000	HYDRAULIC HOSE ASSY	1	43	R23193	3/8" JIC M. x 3/8" JIC F. RESTRICTOR	1
14	280-23-05-000	PIVOT BRKT PIN ASSY	1	44	R23091	ORB-8 X 3/8" JIC M ADAPTOR	2
15	296-00-00-033	PTO GUARD	1	45	R08459	1/2-13 UNC x 3.5 HEX BOLT SS	2
16	480-08-00-000	PIVOT PIN ASSY	2	46	R09521	MAXIMUM RPM DECAL	1
17	480-09-00-000	CYLINDER PIN ASSY	1	47	R09691	HUSKY DECAL 3.75" x 13"	2
18	480-15-00-000	LEG PIN ASSY	2	48	R09734	CAUTION REMOVE PIN DECAL	1
19	480-24-00-000	CAT 11 & 111 HITCH PIN KIT	2	49	R09509	"MADE IN CANADA" DECAL - LARGE	1
20	480-25-00-000	CAT 11 & 111 TOP LINK PIN KIT	1	50	R07886	3/8-16 UNC 2-WAY LOCK NUT - ZINC	2
21	485-00-00-047	PTO GUARD BRKT	1	51	R08503	1/2-13 UNC x 2.25 HEX BOLT SS-FULL THD	4
22	270-00-00-075	3/8" KEY - 51.00 mm LONG	2				
23	280-00-00-052	SPACER PIPE	1	52	R07633	7/16-14 UNC x 3.5 HEX BOLT GR.5	1
24	R07619	3/8-16 UNC x 1 HEX BOLT GR.5	2	53	R07784	7/16-14 UNC HEX NUT - ZINC	1
25	R07639	1/2-13 UNC x 2 HEX BOLT GR.5	6	54	R07804	7/16 LOCK WASHER - ZINC	1

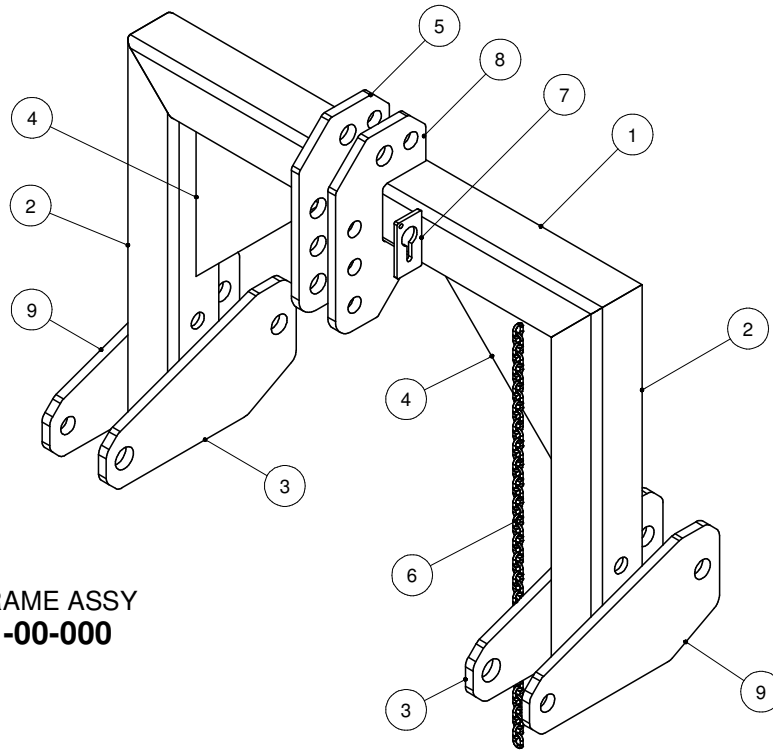
24 FT HD AUGER AGITATOR FRAME



**24 FT HD AUGER AGITATOR FRAME
284-01-00-000**

PARTS LIST				PARTS LIST			
ITEM	PART NUMBER	DESCRIPTION	QTY	ITEM	PART NUMBER	DESCRIPTION	QTY
1	284-01-00-001	24 FT MAIN TUBE	1	10	340-01-00-498	SERIAL NO. BACK PLATE	1
2	480-03-00-017	CROSS TUBE	2	11	284-01-00-002	REINFORCING BAR	1
3	480-03-02-000	FRAME SUB ASSY	1	12	284-01-00-003	STOP PLATE	1
3.1	480-03-00-020	TOP CROSS TUBE	1	13	284-01-00-004	UPPER VERT SUPPORT	1
3.2	480-03-00-019	VERTICAL TUBE	2	14	296-14-00-068	UPRIGHT BASE PLATE	1
3.3	480-03-00-022	GUSSET	2	15	284-01-00-005	LOWER VERT SUPPORT	1
3.4	480-03-00-025	BAR BRACKET	1	16	485-20-08-000	ATTACHMENT FRAME ASSY	1
4	480-03-00-014	LIFT ARM	2	16.1	485-20-08-090	FOOT SIDE PLATE	2
5	480-03-00-018	"Z" BRACKET	2	16.2	485-20-08-091	FOOT TOP PLATE	1
6	480-03-00-021	LARGE GUSSET	2	16.3	485-20-08-092	FOOT BOTTOM PLATE	1
7	480-03-03-000	BEARING FLANGE ASSY	1	16.4	485-20-08-093	ROUND FOOT TUBE	1
7.1	480-03-00-012	BEARING FLANGE	1	16.5	485-20-08-088	ROUND FOOT TUBE CAP	2
7.2	R07639	1/2-13 UNC x 2 HEX BOLT GR.5	4	17	300-01-00-012	TANK LIFT HOOK	1
8	480-03-00-015	BUSHING	2	18	R08304	1/2-13 UNC FLANGE NUT - SS	10
9	480-03-00-022	GUSSET	4				

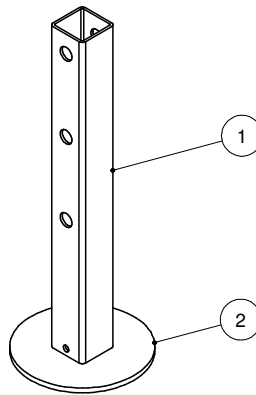
HITCH FRAME ASSY



**HITCH FRAME ASSY
480-01-00-000**

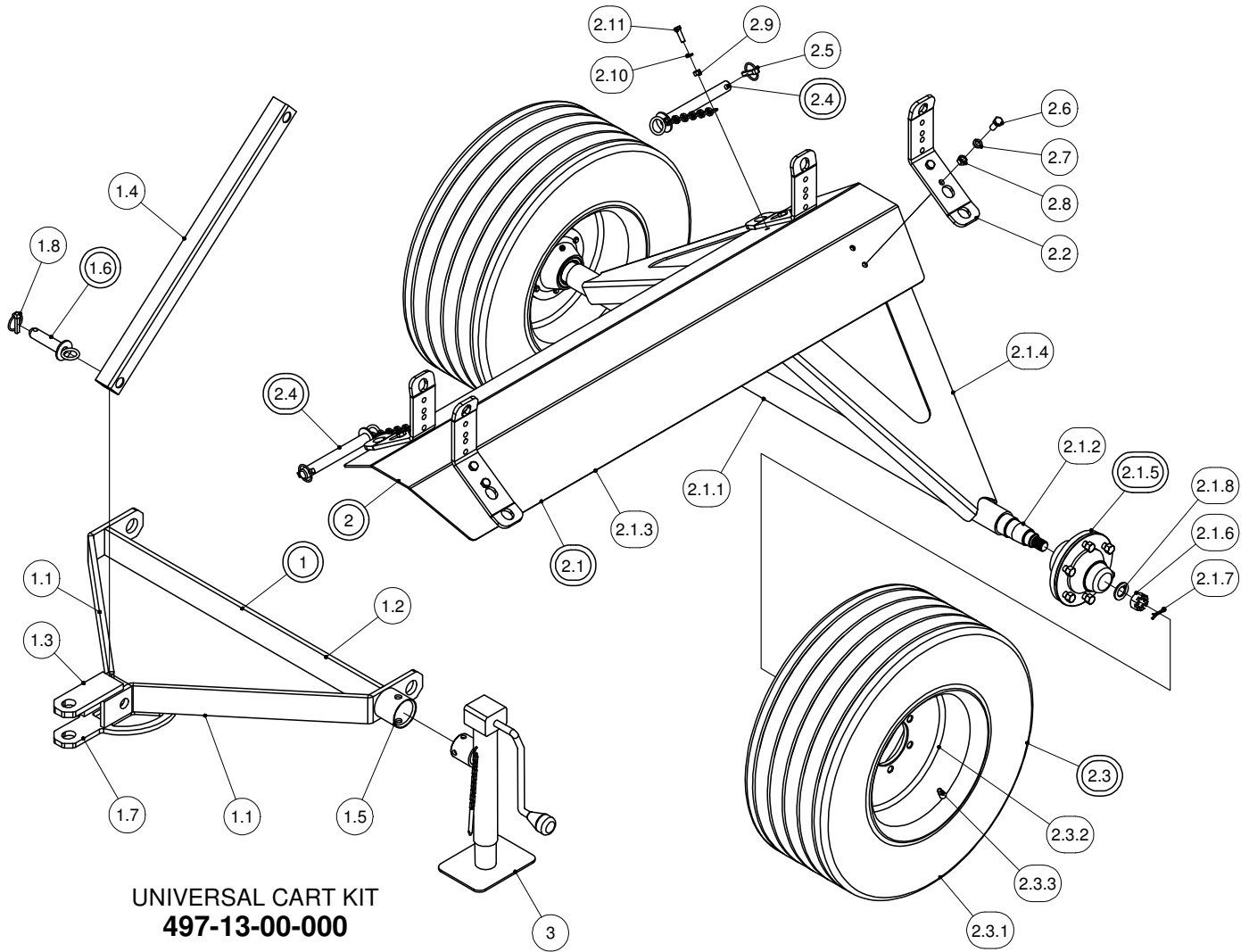
PARTS LIST			
ITEM	PART NUMBER	DESCRIPTION	QTY
1	480-01-00-002	HITCH FRAME TOP PC	1
2	480-01-00-001	HITCH FRAME SIDE	2
3	480-01-00-005	HITCH PLATE	2
4	480-01-00-004	GUSSET	2
5	480-01-00-003	UPPER LINK CONN PLATE	1
6	480-01-00-044	PTO RETAINING CHAIN	1
7	480-01-00-008	CHAIN BRKT	1
8	480-01-00-093	OUTER UPPER LINK CONN PLATE	1
9	480-01-00-091	HITCH PLATE	2

**STAND ASSY
480-06-00-000**



PARTS LIST			
ITEM	PART NUMBER	DESCRIPTION	QTY
1	480-06-00-045	STAND LEG	1
2	480-06-00-046	STAND FOOT	1

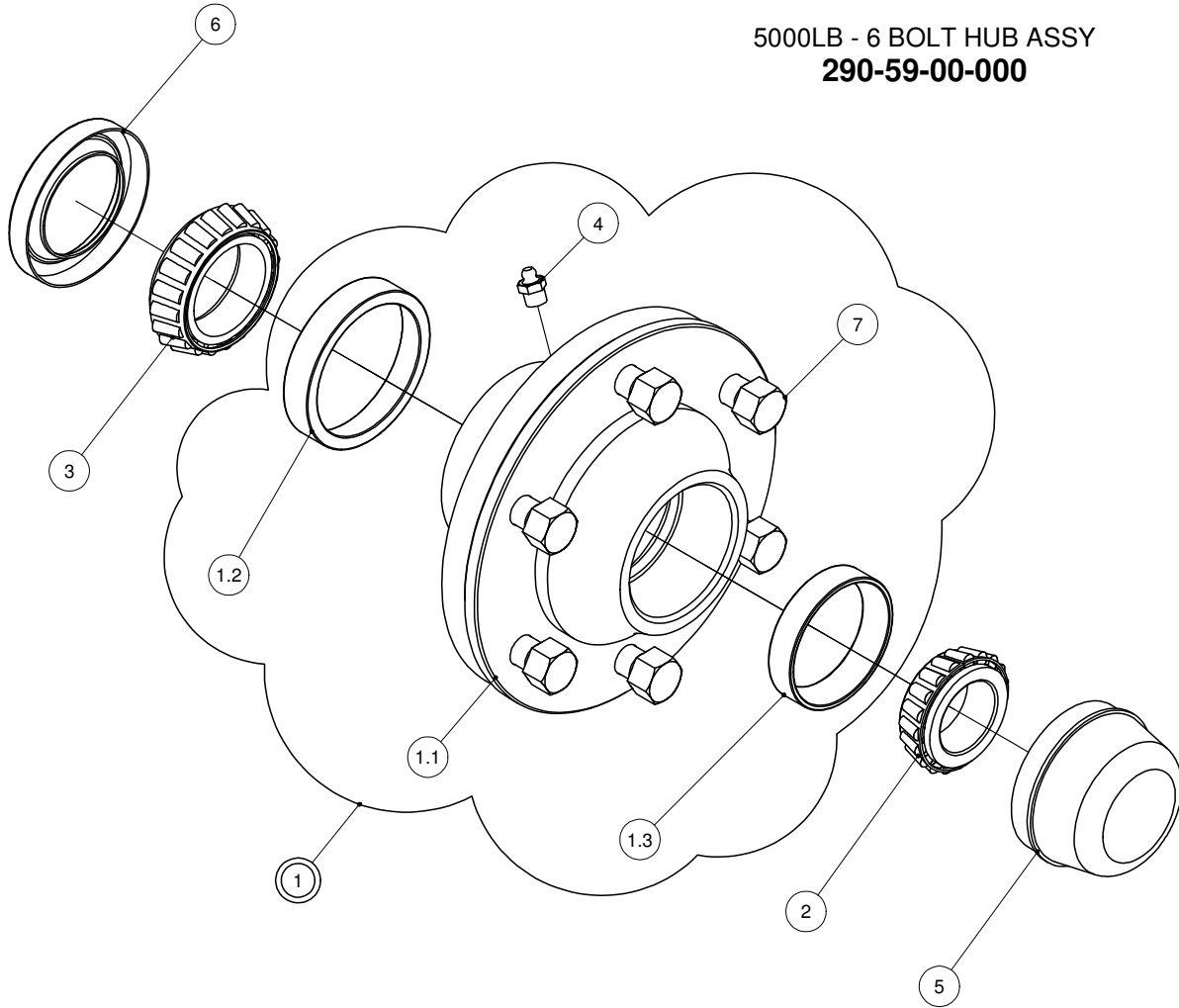
UNIVERSAL CART KIT



PARTS LIST				PARTS LIST			
ITEM	PART NUMBER	DESCRIPTION	QTY	ITEM	PART NUMBER	DESCRIPTION	QTY
1	497-13-01-000	TOW FRAME ASSY	1	2.1.7	R08015	3/16 x 2 COTTER PIN	2
1.1	497-13-01-035	TOW FRAME BAR	2	2.1.8	R20154	SPINDLE WASHER	2
1.2	497-13-01-036	TOW REINFORCING BAR	1	2.2	480-32-00-112	UNIVERSAL CLAMP BRKT	4
1.3	497-13-01-037	TOW HITCH PLATE	1	2.3	247-07-00-000	TIRE & WHEEL ASSY P275/60R15	2
1.4	497-13-01-040	TOW FRAME BAR	1	2.3.1	R22560	P275 60R15 PASSENGER TIRE	1
1.5	364-35-00-245	TONGUE JACK BRKT	1	2.3.2	R20045	15 x 8 x 6 BOLT WHEEL	1
1.6	200-42-00-000	STABILIZER BAR PIN ASSY-LONG	1	2.3.3	R20020	VALVE STEM	1
1.7	497-13-01-038	TOW HITCH LOWER PLATE	1	2.4	480-10-03-000	PIN & CHAIN ASSY	2
1.8	R08040	7/16" LYNCH PIN	1	2.5	R08040	7/16" LYNCH PIN	2
2	480-32-02-000	AGITATOR CART KIT LESS TOW PKG	1	2.6	R08217	1/2 x 1 1/4 SS UNC HEX BOLT	8
2.1	480-32-01-000	AGITATOR FRAME ASSY	1	2.7	R08414	1/2" SS LOCK WASHER	8
2.1.1	480-10-01-054	TRAILER CROSS TUBE	1	2.8	R08235	1/2-13 SS UNC HEX NUT	8
2.1.2	247-01-01-033	SPINDLE	2	2.9	R08440	3/8-16 SS UNC HEX NUT	2
2.1.3	480-32-01-110	AGITATOR CART BASE PLATE	1	2.10	R08319	3/8" SS LOCK WASHER	2
2.1.4	480-32-01-111	AGITATOR CART "V" FRAME	2	2.11	R08410	3/8 x 1 1/4 SS UNC HEX BOLT	2
2.1.5	290-59-00-000	5000LB - 6 BOLT HUB ASSY	2	3	R09751	7000LB SIDE WIND JACK	1
2.1.6	R20117	SPINDLE NUT	2				

5000LB 6 BOLT HUB ASSY

5000LB - 6 BOLT HUB ASSY
290-59-00-000



PARTS LIST			
ITEM	PART NUMBER	DESCRIPTION	QTY
1	R22055	5000LB HUB w/ CUPS	1
1.1	R22054	5000LB HUB - 6 BOLT	1
1.2	R22058	INNER CUP LM603011	1
1.3	R22060	OUTER CUP LM48510	1
2	R22061	OUTER CONE LM48548	1
3	R22059	INNER CONE LM603049	1
4	R08186	1/8" NPT GREASE FTG	1
5	R22062	DUST CAP	1
6	R22063	SEAL CR2004	1
7	R20110	9/16 UNF WHEEL BOLT	6

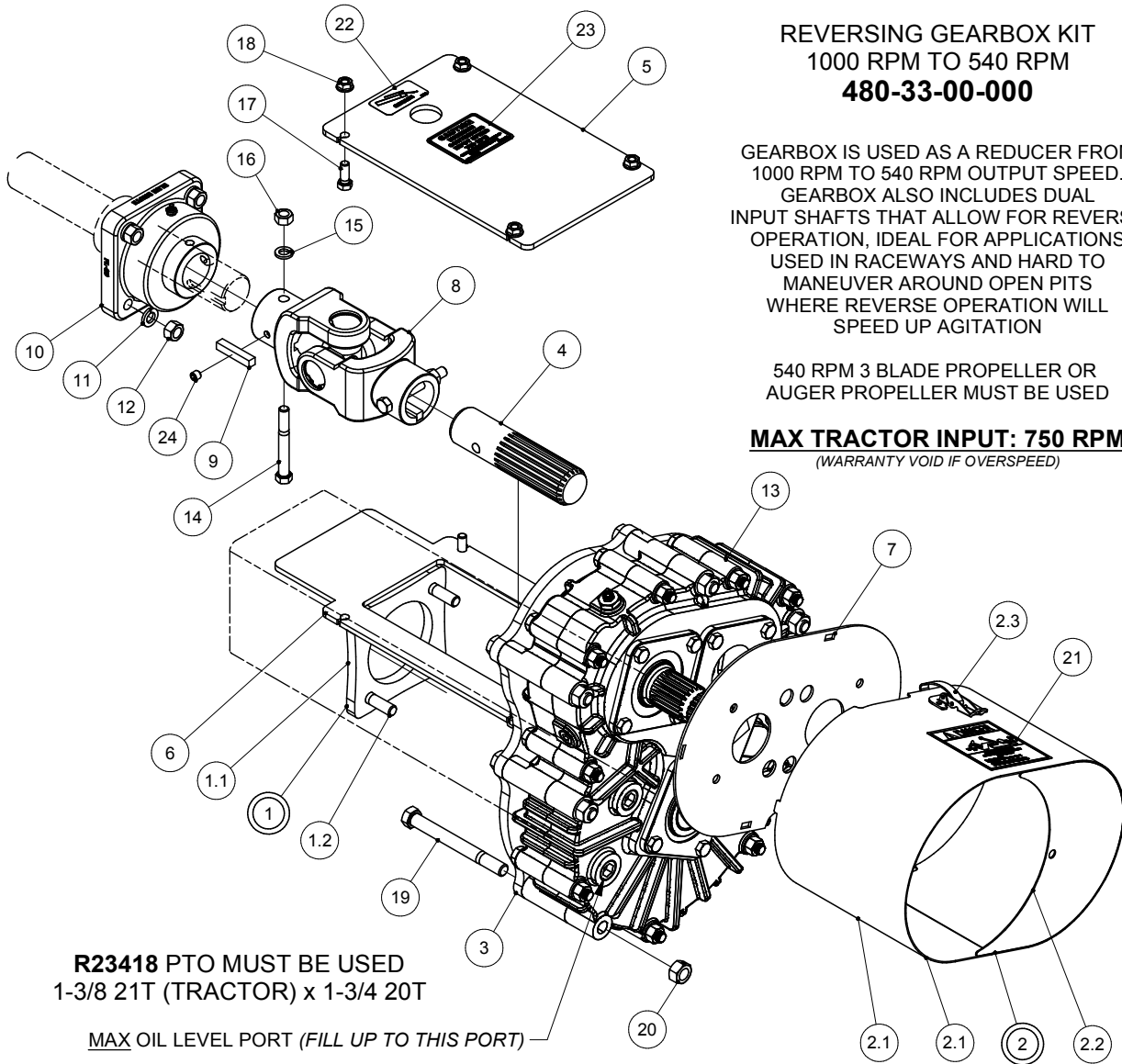
REVERSING GEARBOX KIT

REVERSING GEARBOX KIT 1000 RPM TO 540 RPM **480-33-00-000**

GEARBOX IS USED AS A REDUCER FROM 1000 RPM TO 540 RPM OUTPUT SPEED. GEARBOX ALSO INCLUDES DUAL INPUT SHAFTS THAT ALLOW FOR REVERSE OPERATION, IDEAL FOR APPLICATIONS USED IN RACEWAYS AND HARD TO MANEUVER AROUND OPEN PITS WHERE REVERSE OPERATION WILL SPEED UP AGITATION

540 RPM 3 BLADE PROPELLER OR AUGER PROPELLER MUST BE USED

MAX TRACTOR INPUT: 750 RPM
(WARRANTY VOID IF OVERSPEED)



R23418 PTO MUST BE USED
1-3/8 21T (TRACTOR) x 1-3/4 20T

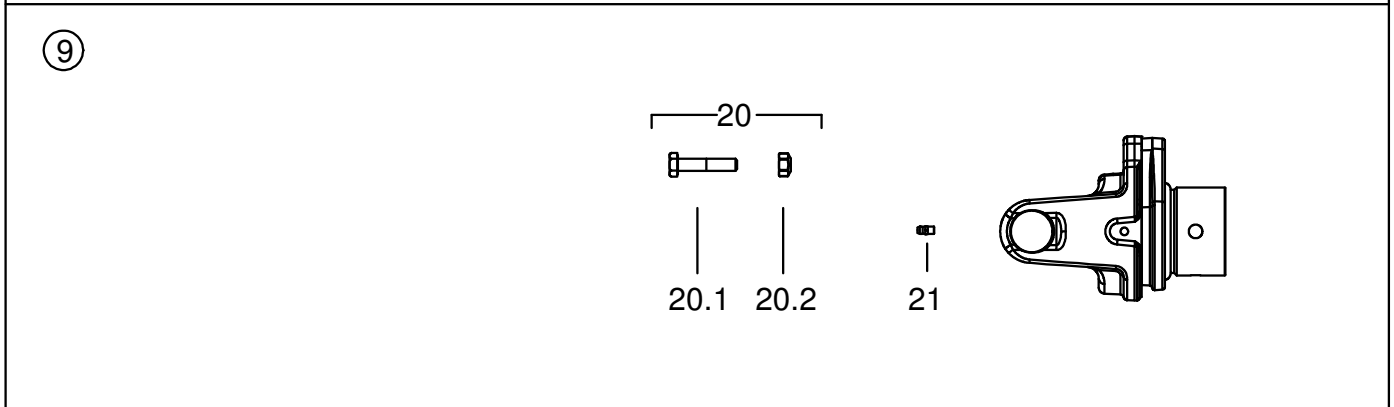
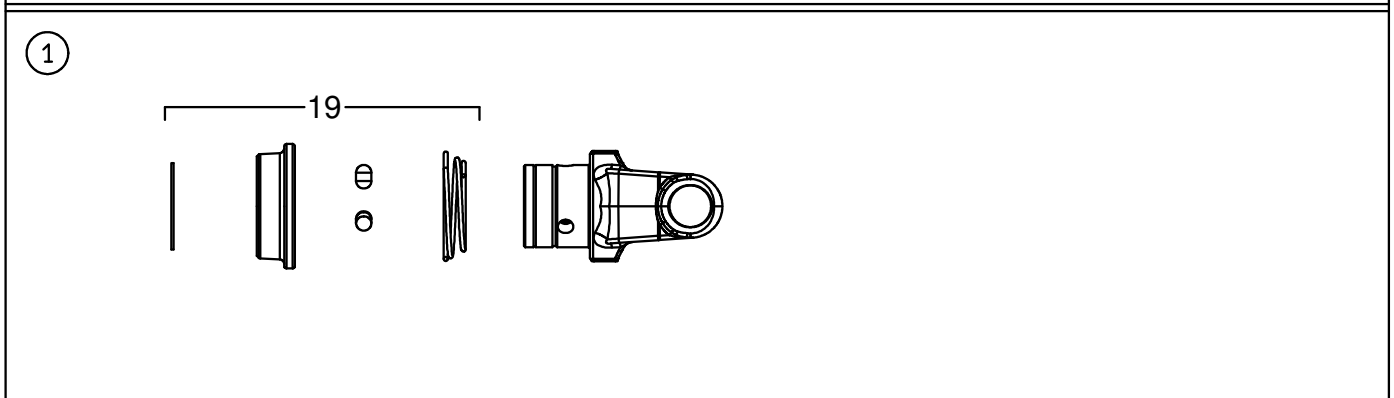
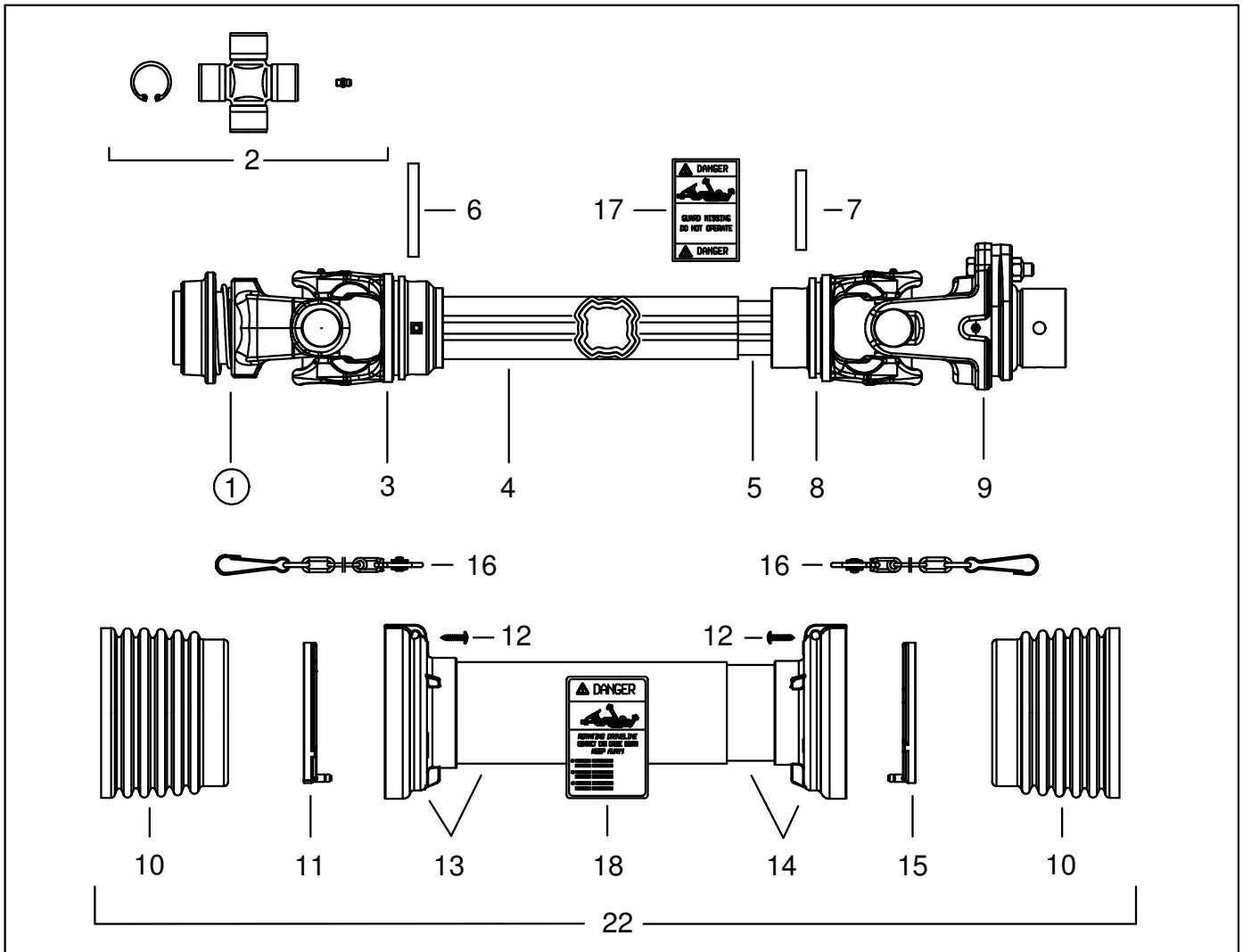
MAX OIL LEVEL PORT (FILL UP TO THIS PORT)

USE R04433 - SYNTHETIC GEAR OIL ISO VG 320 EP (AGMA# 6 EP) - 34oz/1L

PARTS LIST				PARTS LIST			
ITEM	PART NUMBER	DESCRIPTION	QTY	ITEM	PART NUMBER	DESCRIPTION	QTY
1	480-33-01-000	BRG BOLT PLATE ASSY	1	11	R07805	1/2 LOCK WASHER - ZINC	4
1.1	480-33-01-114	BRG BOLT PLATE	1	12	R07785	1/2-13 UNC HEX NUT - ZINC	4
1.2	R07639	1/2-13 UNC x 2 HEX BOLT GR.5	4	13	R22497	REVERSING GEARBOX 1000 to 540rpm	1
2	480-33-02-000	PTO GUARD ASSY	1	14	R07633	7/16-14 UNC x 3.5 HEX BOLT GR.5	2
2.1	480-33-02-119	PTO SHIELD	1	15	R07804	7/16 LOCK WASHER - ZINC	2
2.2	480-33-02-120	SHIELD CAP	1	16	R07784	7/16-14 UNC HEX NUT - ZINC	2
2.3	R10513	DRAW LATCH - 3 5/8" LONG	2	17	R07619	3/8-16 UNC x 1 HEX BOLT GR.5	4
3	480-33-00-113	REVERSING GEARBOX FLANGE	1	18	R07794	3/8-16 UNC FLANGE NUT - ZINC	4
4	480-33-00-115	STUB SHAFT 1-3/4 Z20	1	19	R07609	9/16-12 UNC x 5.5 HEX BOLT GR.5	6
5	480-33-00-116	TUBE INSPECTION COVER	1	20	R08049	9/16-12 UNC 2-WAY LOCK NUT - ZINC	6
6	480-33-00-117	TUBE INSPECTION BASE PLATE	1	21	R21521	"ROTATING DRIVE LINE" DECAL	2
7	480-33-00-118	PTO GUARD MOUNT PLATE	1	22	R09582	GREASE SYMBOL DECAL	1
8	270-32-00-000	KNUCKLE ASSY	1	23	R09799	MAX 750 RPM INPUT DECAL	1
9	270-00-00-075	3/8" KEY - 51.00 mm LONG	2	24	R07909	3/8-16 UNC x 0.38 SET SCREW - ZINC	2
10	R20205	1 3/4" SQ FLANGE BEARING	1				

This Page Intentionally Left Blank

PROPELLER AGITATOR PTO - 4 LOBE



PROPELLER AGITATOR PTO - 4 LOBE

R22200 - 1 3/8" 6 TOOTH - 540 RPM

R22201 - 1 3/8" 21 TOOTH - 1000 RPM (Standard)

R22202 - 1 3/4" 20 TOOTH - 1000 RPM

PARTS LIST				
ITEM	MFG NUMBER	PART NUMBER	DESCRIPTION	QTY
1	5720L0356	R23396	1 3/8 - 6 T QD YOKE & COLLAR 540 rpm	1
	5720L3757	R23397	1 3/8 - 21 T QD YOKE & COLLAR 1000 rpm	1
	5720L3859	R23398	1 3/4 - 20 T QD YOKE & COLLAR 1000 rpm	1
2	4120L0012R24	R23399	#8 CROSS KIT - 34.9x93.5	2
3	2040L6869	R23400	#8 OUTER 4 LOBE TUBE YOKE	1
4	341046000R10	R23401	FLEXIBLE ROLL PIN 10x85mm	1
5	2253Z0835	R23402	#8 OUTER DRIVE TUBE L-835	1
6	2253V0855	R23403	#8 INNER DRIVE TUBE L-855	1
7	341042000R10	R23404	FLEXIBLE ROLL PIN 10x75mm	1
8	2040L6865	R23405	#8 INNER 4 LOBE TUBE YOKE	1
9	6060L8801R	R23407	1 3/4" RD HOLE SHEAR YOKE & COLLAR	1
10	2190L0201	R23408	#8 CONE BELL 160x120x100	2
11	2550G0001R02	R23409	#8 SHIELD SUPPORT - OUTER	1
12	310001431R30	R23394	SCREW - SELF TAP 4.8x22mm	6
13	5TNN1H8101U	R23410	#8 TUBE & CONE SHIELD - OUTER	1
14	5MNN1H8101U	R23411	#8 TUBE & CONE SHIELD - INNER	1
15	2550G0002R02	R23412	#8 SHIELD SUPPORT - INNER	1
16	252000101R02	R21738	SHIELD TIE CHAIN	2
17	399143000	R21523	"SHIELD MISSING" DECAL	1
18	399141000	R21521	ROTATING DRIVELINE DECAL	1
19	435000332R	R23413	1 3/8" BALL COLLAR KIT #8	1
	435000425R	R23414	1 3/4" BALL COLLAR KIT #8	1
20	-	480-31-00-000	SHEAR BOLT 5-PACK	1
20.1	-	R21639	M12-1.75 x55 HEX BOLT GR 8.8 (NOT FOR INDIVIDUAL SALE)	1
20.2	-	R21604	M12-1.75 NYLOCK NUT (NOT FOR INDIVIDUAL SALE)	1
21	348017000R20	R21687	GREASE NIPPLE M6x1 STRAIGHT	1
22	5CH8101U2SS	R23416	COMPLETE SHIELD KIT	1

GUARANTEE

All Husky Farm Equipment manufactured by Husky Farm Equipment Limited is guaranteed. Guarantee covers all the replacement cost or repair of all parts said to be defective from manufacture. Guarantee also covers labour installing said parts, if installed at Husky Manufacturing plant. Time and use is the essence of the guarantee. If equipment is used on a private property for an individual's use, guarantee will be in effect for twelve months from date of invoice. If equipment is used for commercial use to do custom work for money then guarantee will be in effect for three months only from date of invoice.

EXEMPTIONS FROM GUARANTEE

Cost of transportation of equipment to or from Husky Farm Equipment Limited either by customer or by Husky's service staff or cost of mail or public transportation is not covered. Tires and electric or hydraulic motors are covered by manufacturer's warranty and although Husky may assist to get warranty, Husky will not be responsible other than that allowed by manufacturer's warranty. Items subject to normal wear from use not covered by guarantee if faulty part is simply worn.