

Office Copy

May 18, 2004

13 made - June 1/04

Date Purchased \_\_\_\_\_ Machine Serial No. \_\_\_\_\_

Size of Pump \_\_\_\_\_ Options \_\_\_\_\_

PLEASE NOTE:

The key number system in this parts book is arranged as follows:

- ⊙ -- Key numbers with two circles denotes main assemblies
- -- Key numbers with one circle are individual parts

Please order parts by number

35 FT. HEAVY DUTY PROPELLER AGITATOR

HUSKY LIQUID MANURE PUMP

OPERATING INSTRUCTIONS:

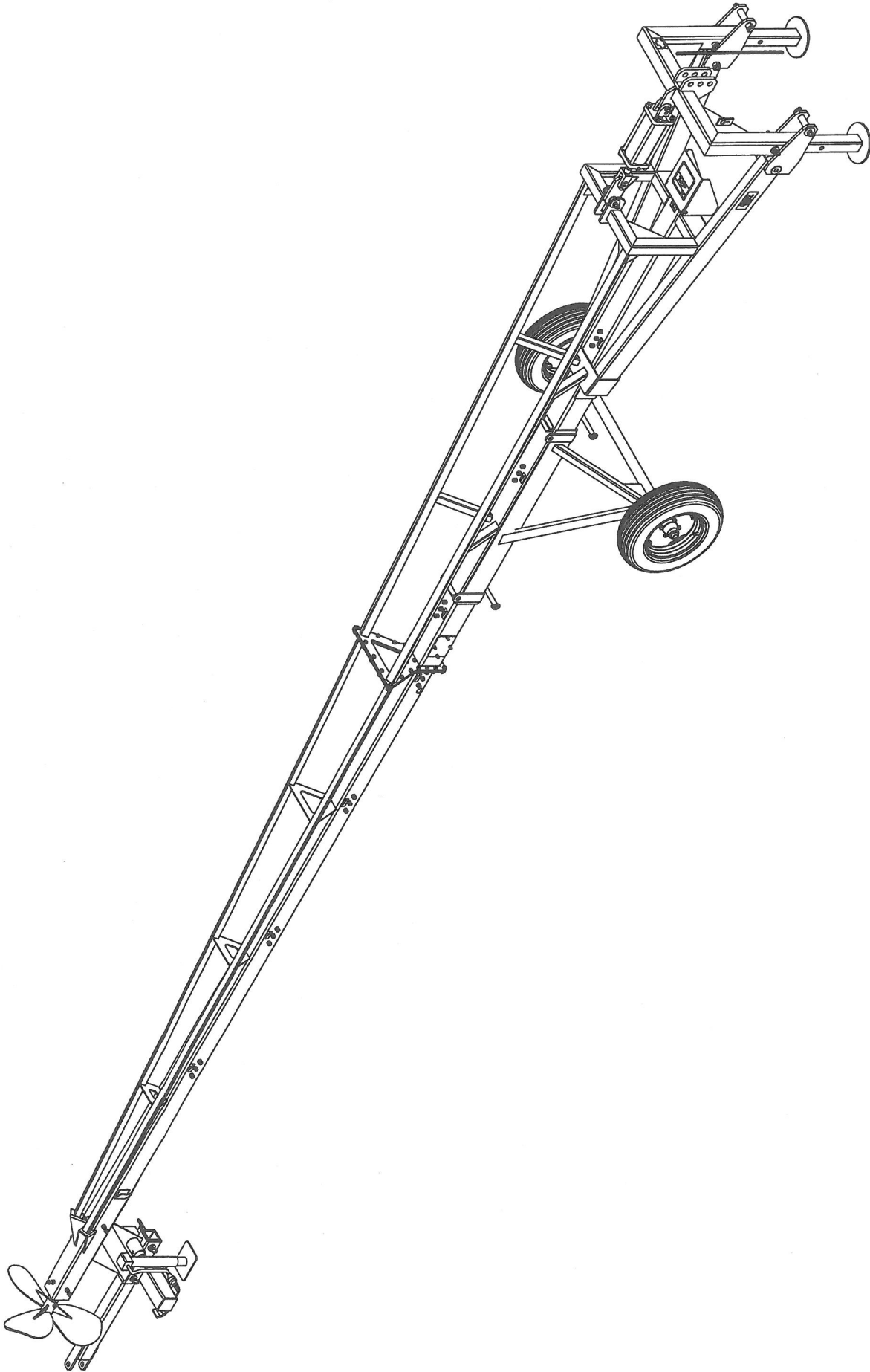
We welcome you as an owner of a Husky Propeller Agitator. To ensure this machine reaches it's maximum life span and operates at a optimum level, we recommend the following:

- Move the machine from the pit when not in use and simply wash it off. The bottom bearing is a manure type bearing which is lubricated with the manure itself and needs no further maintenance.
- Grease the top thrust bearing five to ten shots daily.
- Grease the wood bearings five shots daily.
- Make sure when in use that the PTO knuckles are both taking equal amount of bend otherwise propeller might vibrate.
- Grease the PTO knuckles daily and oil the slide tube.

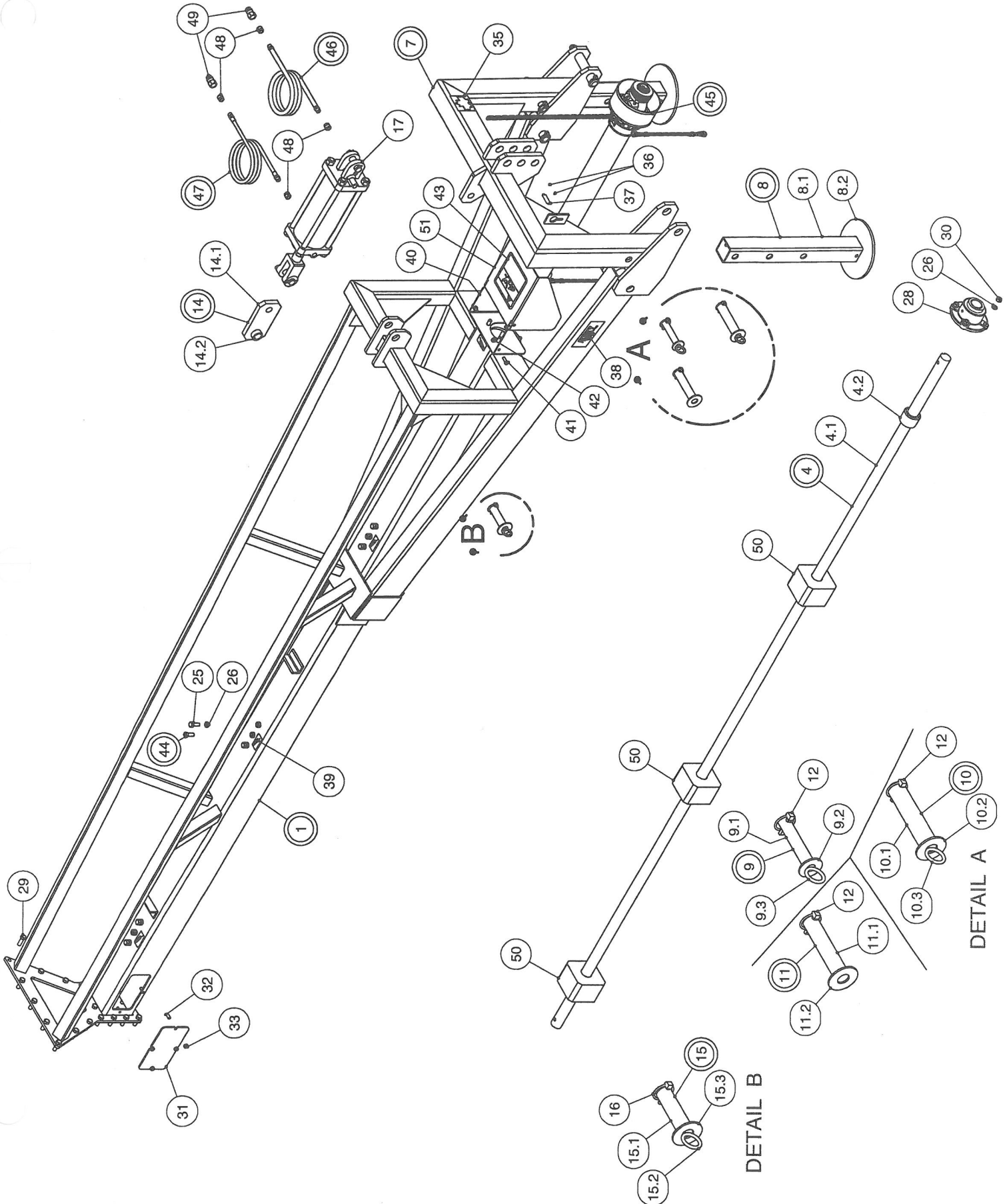
CAUTION:

Do not enter a manure pit storage or spreader at any time while there is danger of gas from the manure. Have a ladder in your pit, so that if by accident you should fall in, you can get out again. Keep all lids closed and open pits fenced to keep children and animals out.

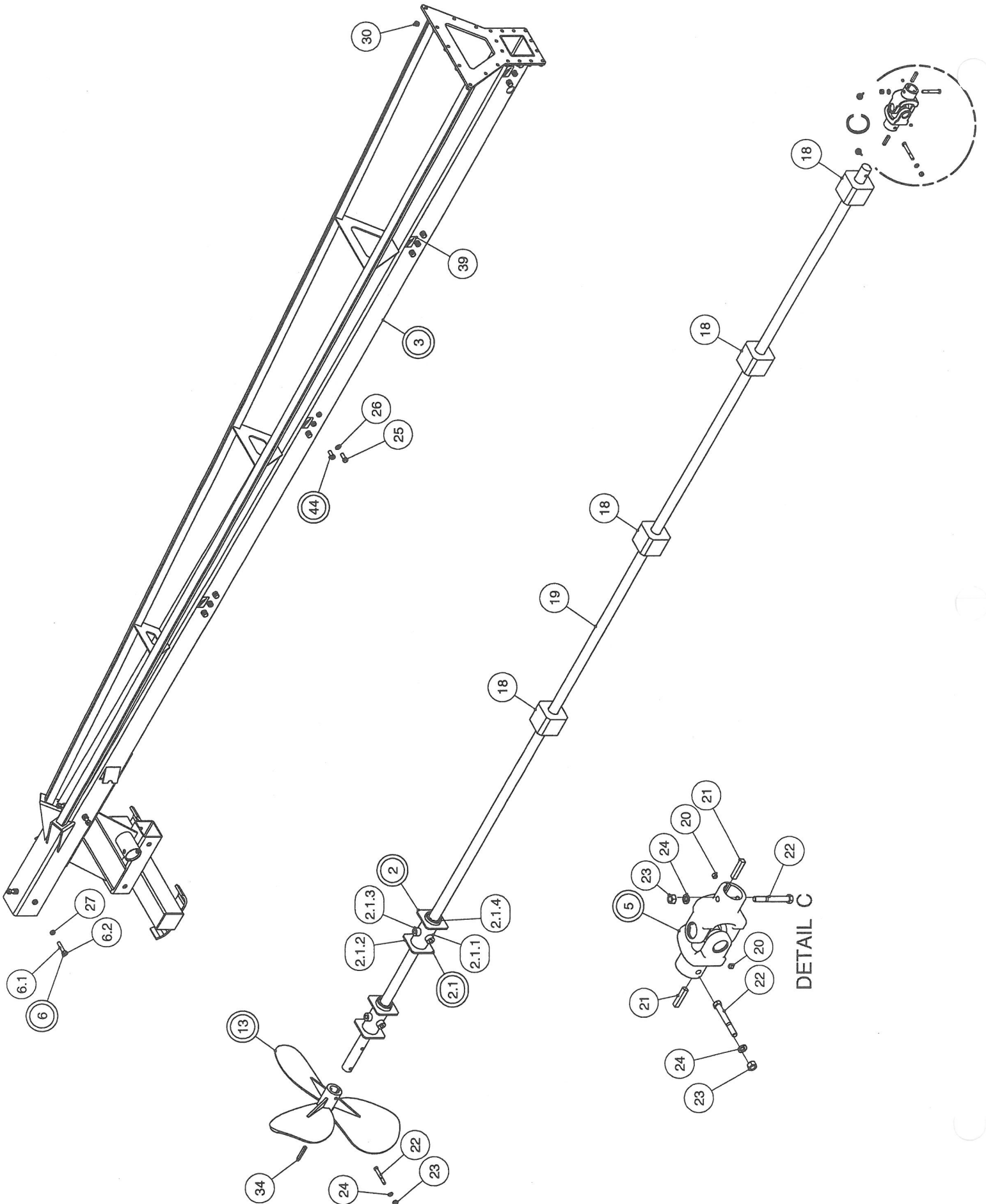
# 35 FT HD PROPELLER AGITATOR



# 35 FT HD PROPELLER AGITATOR ASSY



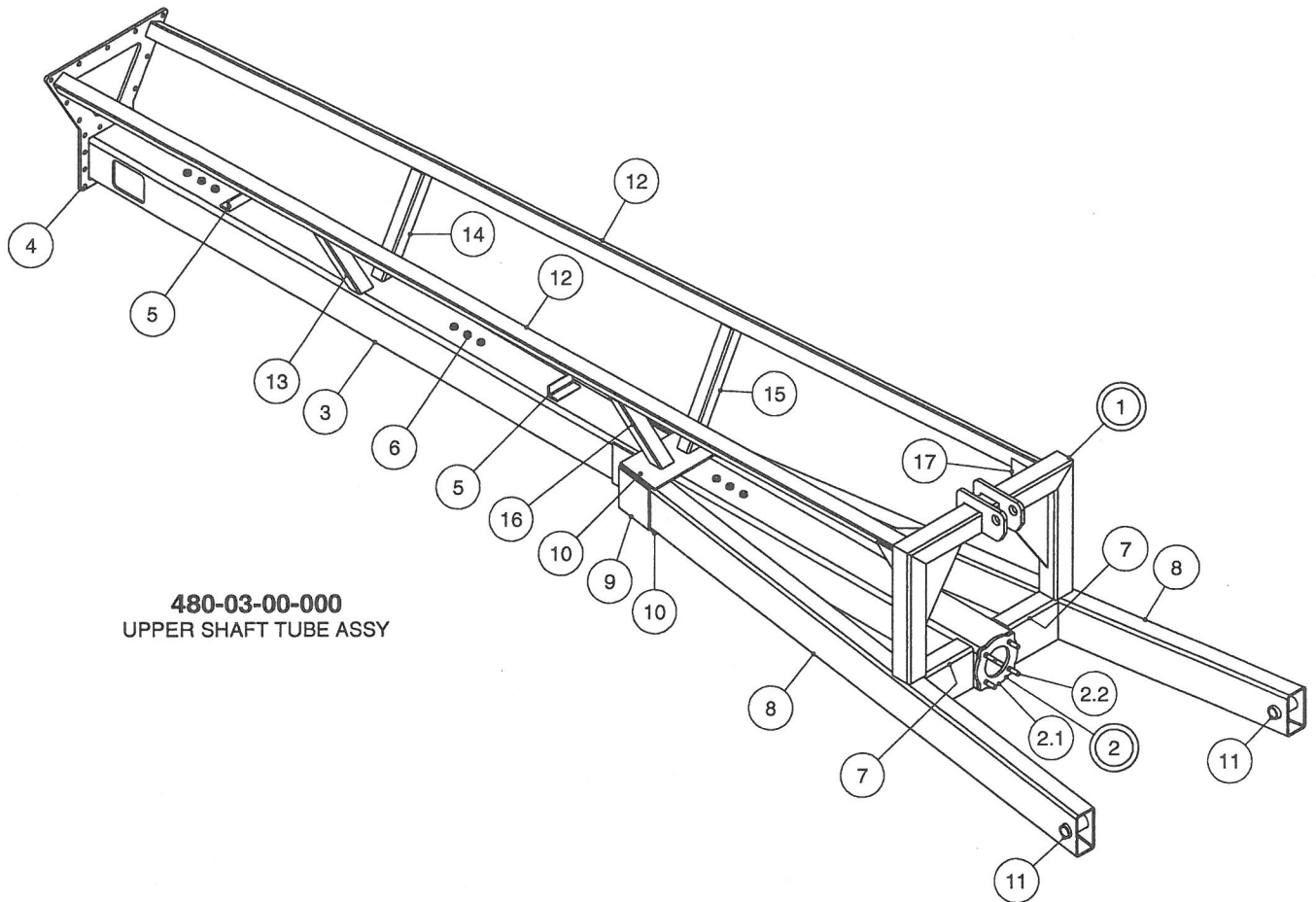
# 35 FT HD PROPELLER AGITATOR ASSY



# 35 FT PROPELLER AGITATOR ASSY

PARTS LIST			
ITEM	PART NUMBER	DESCRIPTION	QTY
1	480-03-00-000	UPPER SHAFT TUBE ASSY	1
2	480-16-00-000	MARINE BEARING & HOLDER COMPLETE	2
2.1	480-16-01-000	MARINE BEARING HOLDER ASSY	1
2.1.1	250-76-34-180	URETHANE BRG SLEEVE	1
2.1.2	250-76-34-181	BRG SLEEVE HOLDER	2
2.1.3	250-76-34-256	STABILIZER SLEEVE	2
2.1.4	R20280	URETHANE	1
3	480-04-00-000	LOWER SHAFT TUBE ASSY	1
4	480-02-00-000	UPPER SHAFT ASSY	1
4.1	480-02-00-010	UPPER SHAFT	1
4.2	280-05-00-031	THRUST BEARING BLOCK	1
5	270-32-00-000	KNUCKLE ASSY	1
6	250-59-00-000	SET SCREW ASSY	4
6.1	250-59-00-141	SS SET SCREW REDDI ROD	1
6.2	R08235	1/2 S.S. HEX NUT	1
7	480-01-00-000	HITCH FRAME ASSY	1
8	480-06-00-000	STAND ASSY	2
8.1	480-06-00-045	STAND LEG	1
8.2	480-06-00-046	STAND FOOT	1
9	480-15-00-000	LEG PIN ASSY	2
9.1	480-15-00-068	LEG PIN	1
9.2	R07827	3/4" FLAT WASHER	1
9.3	R07925	1/4 x 1 1/2 PLATED RING	1
10	480-13-00-000	HITCH PIN ASSY	2
10.1	480-13-00-067	HITCH PIN	1
10.2	R07828	1" FLAT WASHER	1
10.3	R07925	1/4 x 1 1/2 PLATED RING	1
11	480-08-00-000	PIVOT PIN ASSY	2
11.1	480-08-00-048	PIVOT PIN	1
11.2	R07828	1" FLAT WASHER	1
12	R08040	2 - 18 LYNCH PIN	6
13	480-12-00-000	3 BLADE PROPELLER ASSY	1
14	480-07-00-000	CYLINDER BAR ASSY	1
14.1	480-07-00-047	CYLINDER BAR	1
14.2	480-07-00-049	BUSHING	1
15	480-09-00-000	CYLINDER PIN ASSY	1
15.1	480-09-00-050	CYLINDER BAR PIN	1
15.2	R07925	1/4 x 1 1/2 PLATED RING	1
15.3	R07828	1" FLAT WASHER	1
16	R08041	1/4" LYNCH PIN	1
17	R22246	5 x 12 HYD. CYLINDER	1
18	R20233	1 7/8 SQUARE WOOD BRG	4
19	480-00-00-043	LOWER DRIVE SHAFT	1
20	R07909	3/8 x 3/8 SET SCREW	2
21	270-00-00-075	3/8 KEY - 50mm LONG	2
22	R07633	7/16 x 3 1/2 HEX BOLT	4
23	R07784	7/16 HEX NUT	4
24	R07804	7/16 LOCK WASHER	4
25	R07674	1/2 x 1 1/4 HEX BOLT	14
26	R07805	1/2 LOCK WASHER	39
27	R08046	1/2 - 13 JAM NUT	4
28	R20206	1 3/4" THRUST BEARING	1
29	R07638	1/2 x 1 1/2 HEX BOLT	21
30	R07785	1/2 HEX NUT	25
31	480-00-00-024	COVER PLATE	1
32	R08323	3/8 x 1 WELD STUD	4
33	R07794	3/8 FLANGE NUT	4
34	480-00-00-075	3/8 x 75mm KEY	1
35	R09508	"MADE IN CANADA" DECAL - LARGE	1
36	R08152	6 x 1/4 PAN HD SOCKET SCREW	2
37	R09071	SERIAL NUMBER PLATE	1
38	R09502	"HUSKY" DECAL	1
39	R09582	GREASE SYMBOL DECAL	8
40	485-00-00-047	PTO GUARD BRKT	1
41	R07619	3/8 x 1 HEX BOLT	2
42	R07886	3/8 - 2 WAY LOCK NUT	2
43	R09785	"DANGER ROTATING DRIVELINE" DECAL	1
44	244-88-00-000	WOOD BEARING GREASE BOLT KIT	7
45	R22201	540 RPM PROP AGITATOR PTO	1
46	250-87-51-000	HYDRAULIC HOSE ASSY	1
47	250-87-52-000	HYDRAULIC HOSE ASSY	1
48	R02043	BUSHING 1/2 x 3/8	4
49	R21342	PIONEER ENDS	2
50	R22148	5.40" SQ WOOD BEARING	3
51	296-00-00-033	PTO GUARD	1

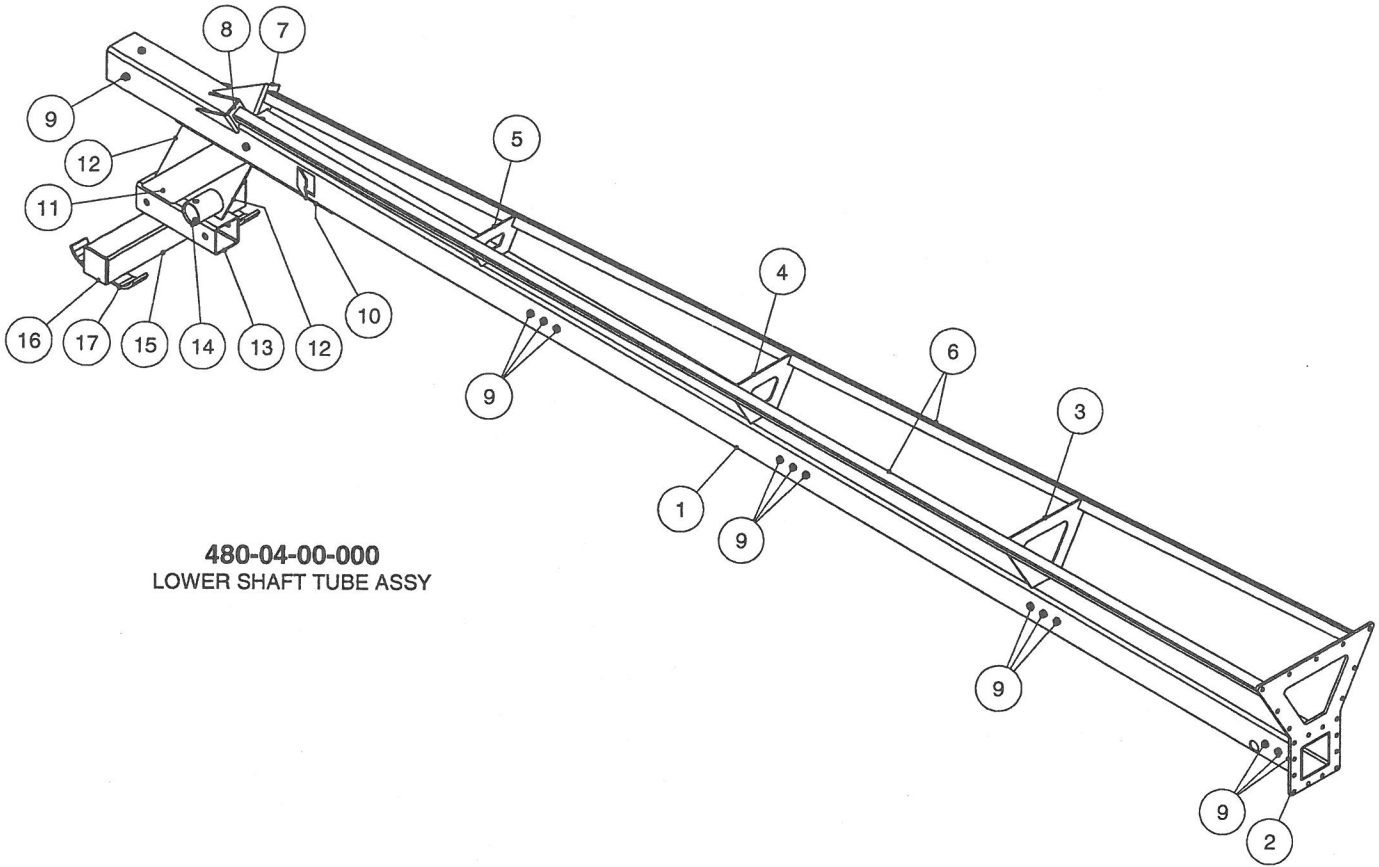
# UPPER SHAFT TUBE ASSY



**480-03-00-000**  
UPPER SHAFT TUBE ASSY

PARTS LIST			
ITEM	PART NUMBER	DESCRIPTION	QTY
1	480-03-02-000	FRAME SUB ASSY	1
2	480-03-03-000	BEARING FLANGE ASSY	1
2.1	480-03-00-012	BEARING FLANGE	1
2.2	R07639	1/2 x 2 HEX BOLT	4
3	480-03-00-011	UPPER TUBE	1
4	480-03-00-013	BRIDGE FLANGE	1
5	480-03-00-073	TRAILER STOP	2
6	R08304	1/2 S.S. FLANGE NUT	9
7	480-03-00-017	CROSS TUBE	2
8	480-03-00-014	LIFT ARM	2
9	480-03-00-018	"Z" BRACKET	2
10	480-03-00-021	LARGE GUSSET	2
11	480-03-00-015	BUSHING	2
12	480-03-00-023	REINFORCING TUBE	2
13	480-03-00-028	RH LOWER SUPPORT TUBE	1
14	480-03-00-006	LH LOWER SUPPORT TUBE	1
15	480-03-00-007	LH UPPER SUPPORT TUBE	1
16	480-03-00-029	RH UPPER SUPPORT TUBE	1
17	480-03-00-016	SMALL GUSSET	4

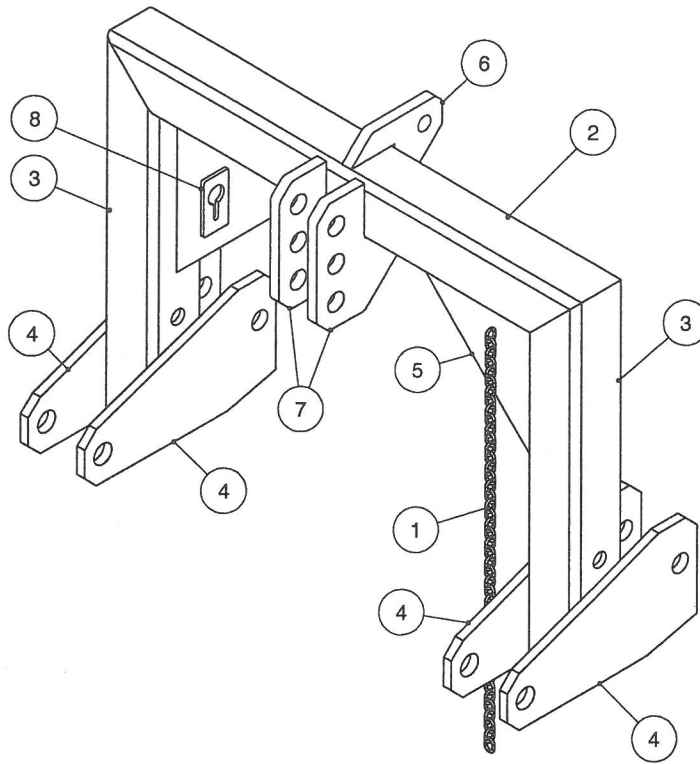
# LOWER SHAFT TUBE ASSY



**480-04-00-000**  
LOWER SHAFT TUBE ASSY

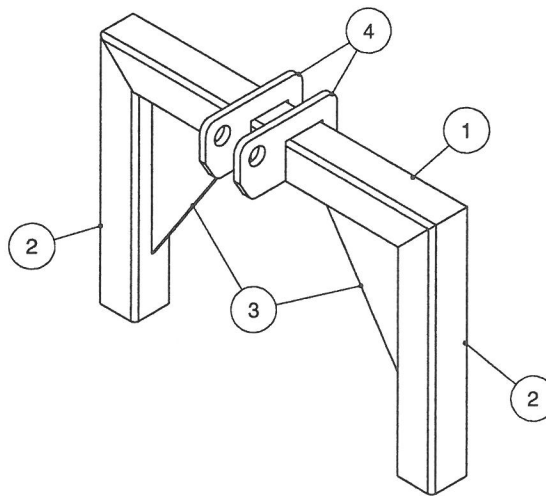
PARTS LIST			
ITEM	PART NUMBER	DESCRIPTION	QTY
1	480-04-00-030	LOWER SHAFT TUBE	1
2	480-04-00-027	LOWER BRIDGE FLANGE	1
3	480-04-00-070	UPPER SPACER PLATE	1
4	480-04-00-069	LOWER SPACER PLATE	1
5	480-04-00-074	BOTTOM SPACER PLATE	1
6	480-04-00-031	LOWER REINFORCING TUBE	2
7	480-04-00-032	LH STOP	1
8	480-04-00-033	RH STOP	1
9	R08304	1/2 S.S. FLANGE NUT	16
10	480-04-00-042	LEG BRACE PLATE	1
11	480-04-00-038	LEG	1
12	480-04-00-040	LEG GUSSET	2
13	480-04-00-026	TONGUE MOUNTING TUBE	1
14	480-04-00-072	LONG TONGUE JACK BRKT	1
15	480-04-00-039	FOOT	1
16	480-04-00-041	FOOT CAP	2
17	480-04-00-071	SKID FEET	2

# HITCH FRAMES



**480-01-00-000**  
HITCH FRAME ASSY

PARTS LIST			
ITEM	PART NUMBER	DESCRIPTION	QTY
1	480-01-00-044	PTO RETAINING CHAIN	1
2	480-01-00-002	HITCH FRAME TOP PC	1
3	480-01-00-001	HITCH FRAME SIDE	2
4	480-01-00-005	HITCH PLATE	4
5	480-01-00-004	GUSSET	2
6	480-01-00-009	CYLINDER BRKT	1
7	480-01-00-003	UPPER LINK CONN PLATE	2
8	480-01-00-008	CHAIN BRKT	1

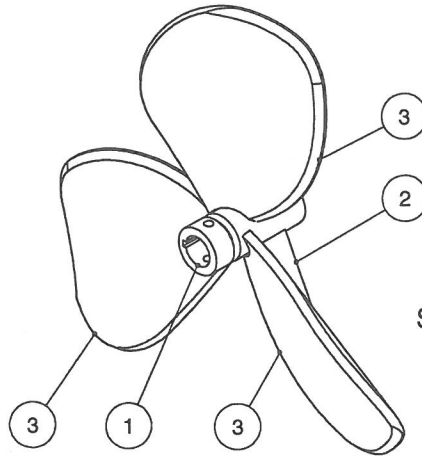


**480-03-02-000**  
FRAME SUB ASSY

PARTS LIST			
ITEM	PART NUMBER	DESCRIPTION	QTY
1	480-03-00-020	TOP CROSS TUBE	1
2	480-03-00-019	VERTICAL TUBE	2
3	480-03-00-022	GUSSET	2
4	480-03-00-025	BAR BRACKET	2

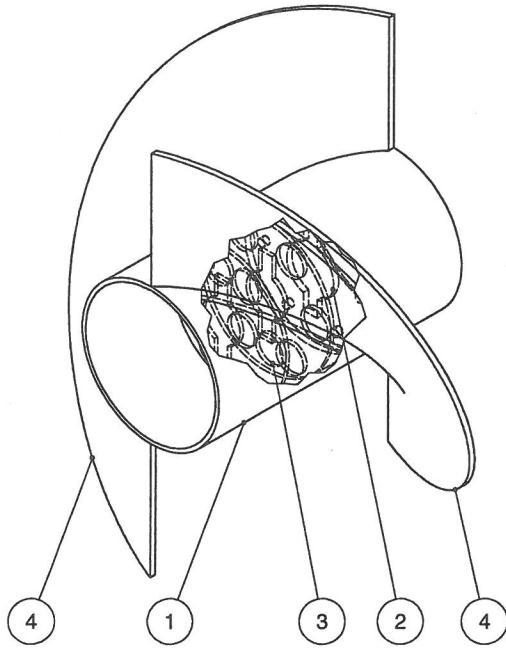


# PROPELLER BLADES

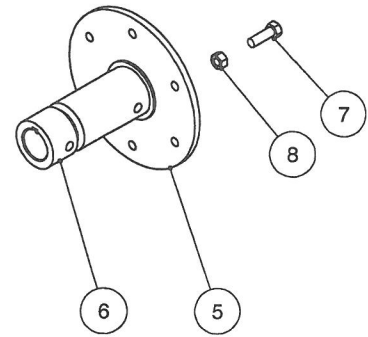


STANDARD ON 35FT AGITATOR  
 3 BLADE PROPELLER ASSY  
 1000 RPM  
**480-12-00-000**

PARTS LIST			
ITEM	PART NUMBER	DESCRIPTION	QTY
1	280-07-00-034	PROPELLER HUB	1
2	280-07-00-035	GUSSET	3
3	480-12-00-066	PROPELLER BLADE	3



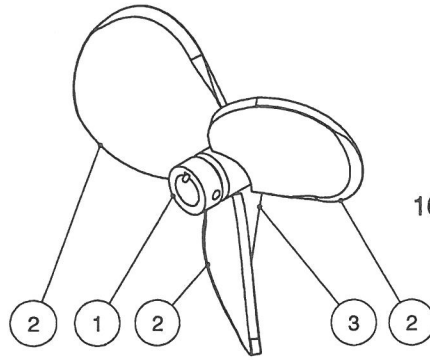
**AUGER ASSY**  
**485-05-00-000**



**AUGER HUB ASSY**  
**485-04-00-000**

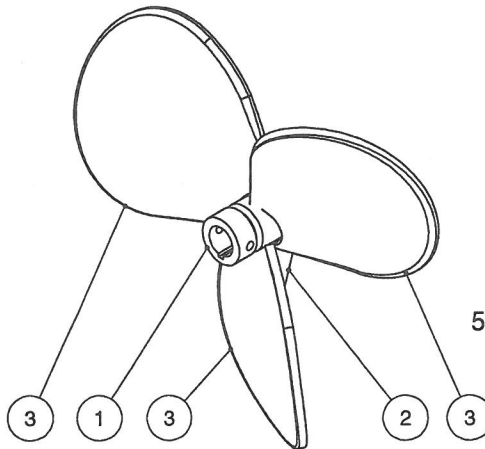
PARTS LIST			
ITEM	PART NUMBER	DESCRIPTION	QTY
1	485-05-00-024	AUGER TUBE	1
2	485-05-00-025	END FLANGE	1
3	485-05-00-026	MIDDLE FLANGE	2
4	485-05-00-027	AUGER FLITE	2
5	485-04-00-023	HUB FLANGE	1
6	485-04-00-022	AUGER HUB	1
7	R07638	1/2" X 1 1/2" HEX BOLT	6
8	R08219	1/2" - UNC NYLOCK NUT	6

## PROPELLER BLADES



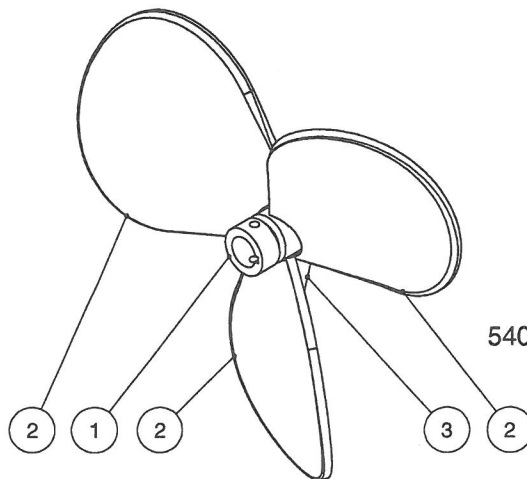
**1000 RPM STANDARD PROPELLER  
280-16-00-000**

PARTS LIST			
ITEM	PART NUMBER	DESCRIPTION	QTY
1	280-07-00-034	PROPELLER HUB	1
2	280-16-00-050	1000 RPM PROP BLADE	3
3	280-07-00-035	GUSSET	3



**540 RPM STANDARD PROPELLER  
280-15-00-000**

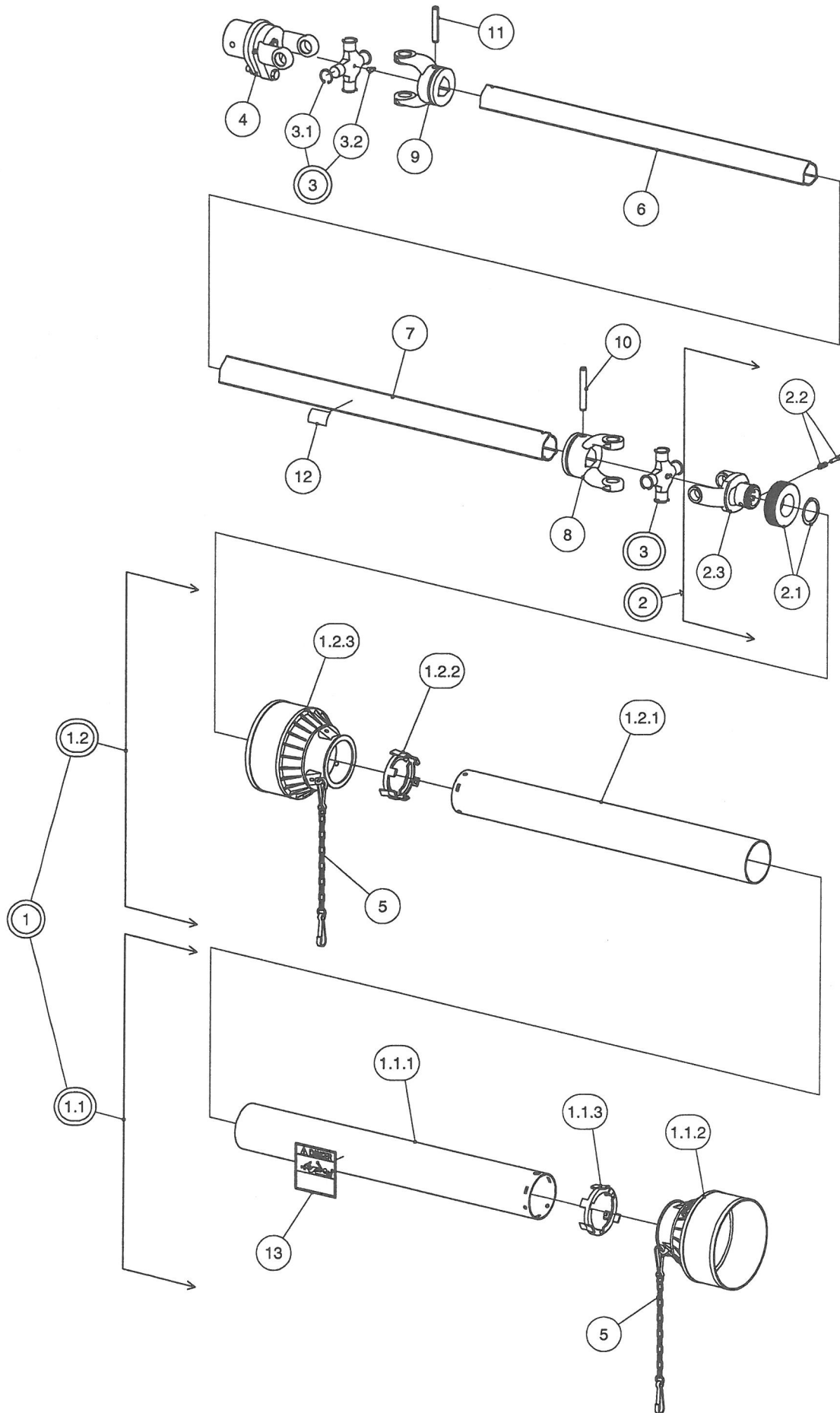
PARTS LIST			
ITEM	PART NUMBER	DESCRIPTION	QTY
1	280-07-00-034	PROPELLER HUB	1
2	280-07-00-035	GUSSET	3
3	280-15-00-049	540 RPM PROPELLER BLADE	3



**540 RPM OVERSIZE PROPELLER  
280-31-00-000**

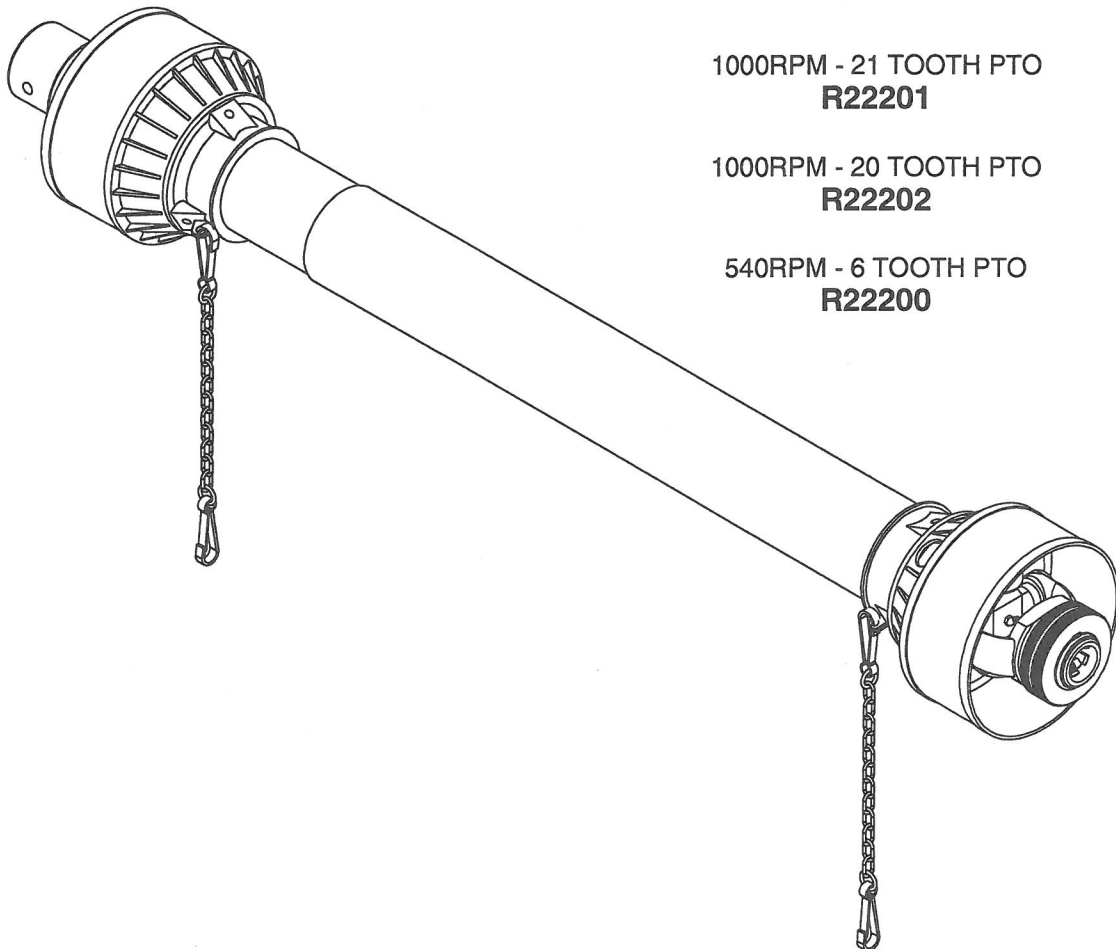
PARTS LIST			
ITEM	PART NUMBER	DESCRIPTION	QTY
1	280-07-00-034	PROPELLER HUB	1
2	280-31-00-109	540 OVERSIZED PROP BLADE	3
3	280-07-00-035	GUSSET	3

BONDIOLI & PAVESI PTO  
w/ 1 3/4" SHEAR YOKE



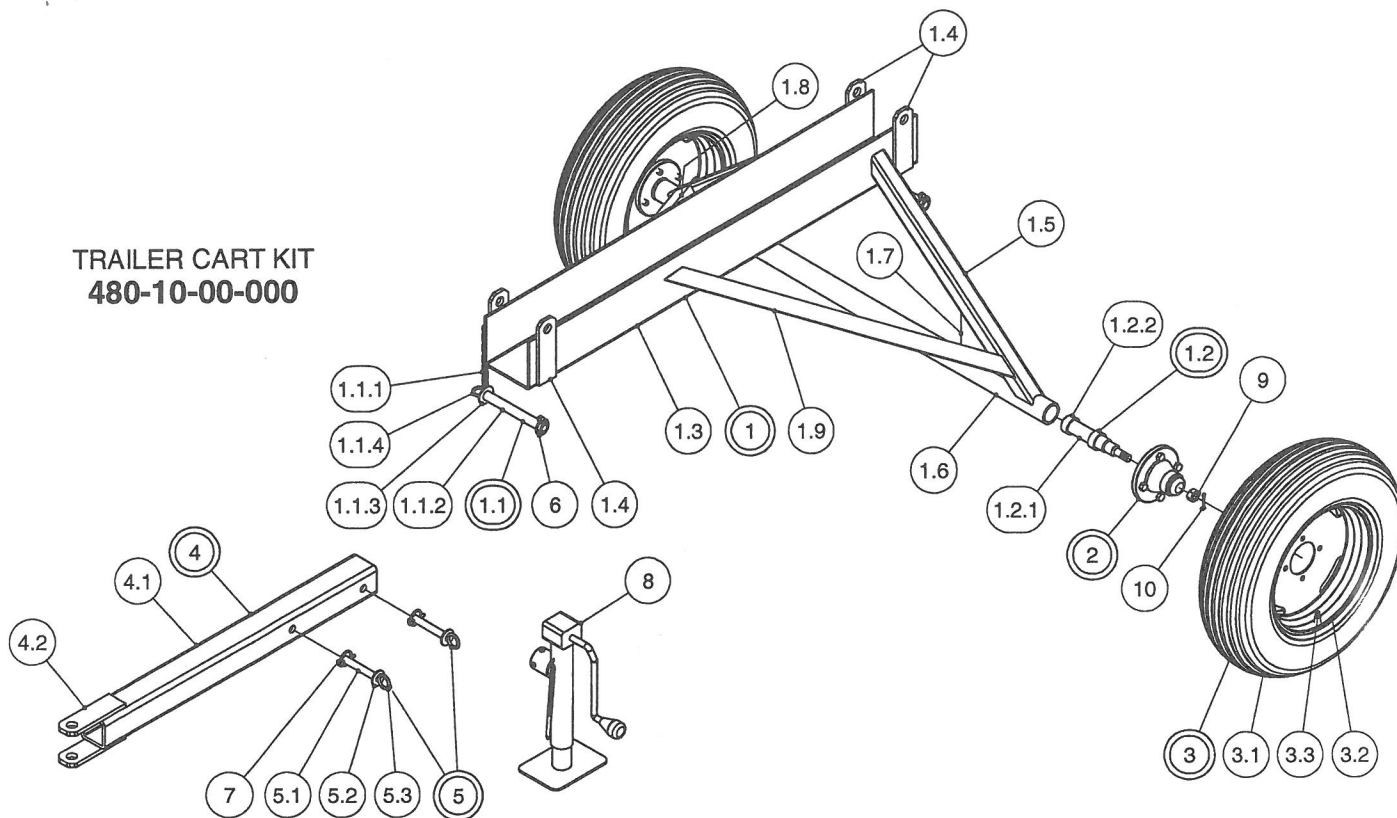
**BONDIOLI & PAVESI PTO  
w/ 1 3/4" SHEAR YOKE**

PARTS LIST				
ITEM	MFG #	PART NUMBER	DESCRIPTION	QTY
1	5F08101FFFX	R21629	SAFETY GUARD COMPLETE	1
1.1	5FE8101FFFX	R21627	HALF SAFETY GUARD - OUTER	1
1.1.1	236850732	R21618	CM SAFETY TUBE	1
1.1.2	517080130	R21610	OUTER CONE SETS N8-9	1
1.1.3	255080005R02	R21609	I. BEARING 3-4	1
1.2	5F18101FFFX	R21628	HALF SAFETY GUARD - INNER	1
1.2.1	236840732	R21617	CM SAFETY TUBE	1
1.2.2	255080006R02	R21608	I. BEARING 3-4	1
1.2.3	517080120	R21611	INNER CONE SETS N8-9	1
2	572083851	R21644	1 3/8 - 20 TOOTH QD YOKE w/ SLEEVES	1
2	572080351	R21641	1 3/8 - 6 TOOTH QD YOKE w/ SLEEVES	1
2	572083751	R21640	1 3/8 - 21 TOOTH QD YOKE w/ SLEEVES	1
2.1	240003551	R21713	R.S. COLLAR KIT	1
2.2	403000001R10	R21669	COMPLETE PUSH BUTTON	1
3	41208	R21614	CROSS JOURNAL ASSY	2
3.1	338023000	R21621	CIRCLIP	4
3.2	348004000	R21655	GREASE NIPPLE 45 DEG	1
4	606598802R	R21648	1 3/4" RD HOLE SHEAR YOKE	1
5	252000005R02	R21738	SHIELD TIE CHAIN	2
6	225690803	R21615	CARDAN TUBE - INNER	1
7	225730803	R21616	CARDAN TUBE - OUTER	1
8	204086860	R21620	OUTER TUBE YOKE	1
9	204086861	R21619	INNER TUBE YOKE	1
10	341051000	R21613	FLEXIBLE PIN	1
11	34105500R10	R21612	FLEXIBLE PIN	1
12		R21523	"SHIELD MISSING" DECAL	1
13		R21521	"ROTATING DRIVE LINE" DECAL	1



# CART KIT

## TRAILER CART KIT 480-10-00-000



### PARTS LIST

ITEM	PART NUMBER	DESCRIPTION	QTY
1	480-10-01-000	TRAILER ASSY	1
1.1	480-10-03-000	PIN & CHAIN ASSY	2
1.1.1	480-10-03-062	CHAIN	1
1.1.2	480-10-03-061	PIN	1
1.1.3	R07827	3/4" FLAT WASHER	1
1.1.4	R07925	1/4 x 1 1/2 PLATED RING	1
1.2	250-64-27-000	SPINDLE ASSY	2
1.2.1	R20141	SPINDLE	1
1.2.2	250-64-27-149	PLUG WASHER	2
1.3	480-10-01-059	TUBE SEAT	1
1.4	480-10-01-060	PIN BRACKET	4
1.5	480-10-01-056	"A" FRAME ARM	2
1.6	480-10-01-054	TRAILER CROSS TUBE	1
1.7	480-10-01-055	"A" FRAME GUSSET	2
1.8	480-10-01-058	RH ANGLE SUPPORT	1
1.9	480-10-01-057	LH ANGLE SUPPORT	1
2	250-60-30-000	H-411 HUB COMPLETE	2
3	250-65-00-000	TIRE & WHEEL ASSY - 5.9 x 15	2
3.1	R20016	5.9 x 15 RIB IMPLEMENT TIRE	1
3.2	R20057	4.5 x 15 WHEEL - 4 BOLT	1
3.3	R20020	VALVE STEM	1
4	480-10-02-000	TONGUE TUBE ASSY	1
4.1	480-10-02-063	TONGUE TUBE	1
4.2	480-10-02-064	HITCH PLATE	2
5	480-10-04-000	TONGUE PIN ASSY	2
5.1	480-10-04-065	TONGUE PIN	1
5.2	R07826	5/8 FLAT WASHER	1
5.3	R07925	1/4 x 1 1/2 PLATED RING	1
6	R08040	2 - 18 LYNCH PIN	2
7	R08041	1/4" LYNCH PIN	2
8	R09751	7000LB SIDE WIND JACK	1
9	R20142	SLOTTED HEX NUT	2
10	R08207	5/32 x 1 1/2 S.S. COTTER PIN	2

