

June 2, 2004 - 23 made  
Nov 30 - 3 "

Date Purchased \_\_\_\_\_ Machine Serial No. \_\_\_\_\_

Size of Pump \_\_\_\_\_ Options \_\_\_\_\_

PLEASE NOTE:

The key number system in this parts book is arranged as follows:

- ⊙ -- Key numbers with two circles denotes main assemblies
- -- Key numbers with one circle are individual parts

Please order parts by number

AUGER AGITATOR  
485-00-00-000  
HUSKY LIQUID MANURE PUMP

OPERATING INSTRUCTIONS:

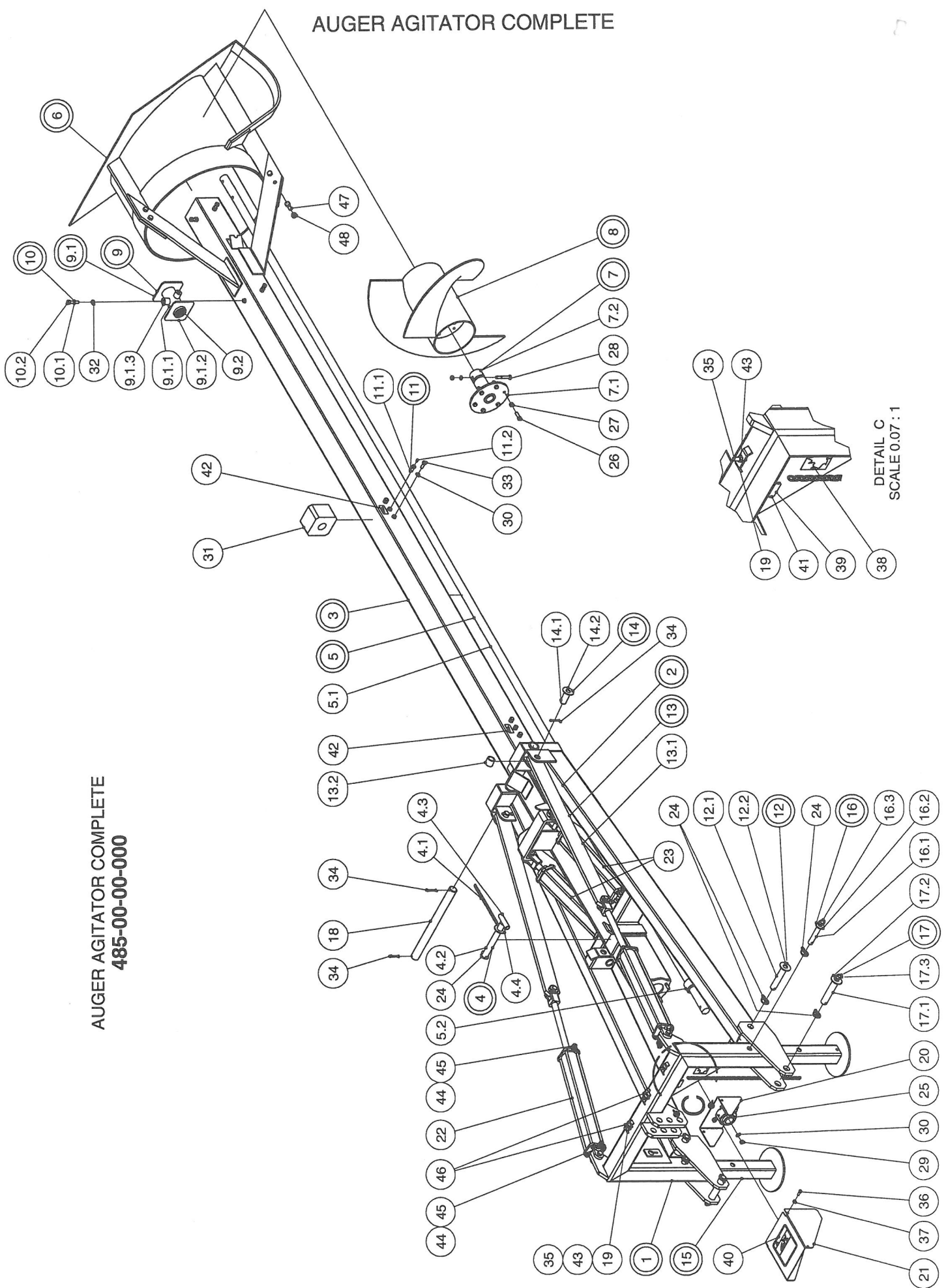
We welcome you as an owner of a Husky Auger. To ensure this machine reaches it's maximum life span and operates at a optimum level, we recommend the following:

- Move the machine from the pit when not in use and simply wash it off. The bottom bearing is a manure type bearing which is lubricated with the manure itself and needs no further maintenance.
- Grease the top thrust bearing five to ten shots daily.
- Grease the wood bearings five shots daily.
- Make sure when in use that the PTO knuckles are both taking equal amount of bend otherwise propeller might vibrate.
- Grease the PTO knuckles daily and oil the slide tube.

CAUTION:

Do not enter a manure pit storage or spreader at any time while there is danger of gas from the manure. Have a ladder in your pit, so that if by accident you should fall in, you can get out again. Keep all lids closed and open pits fenced to keep children and animals out.

# AUGER AGITATOR COMPLETE



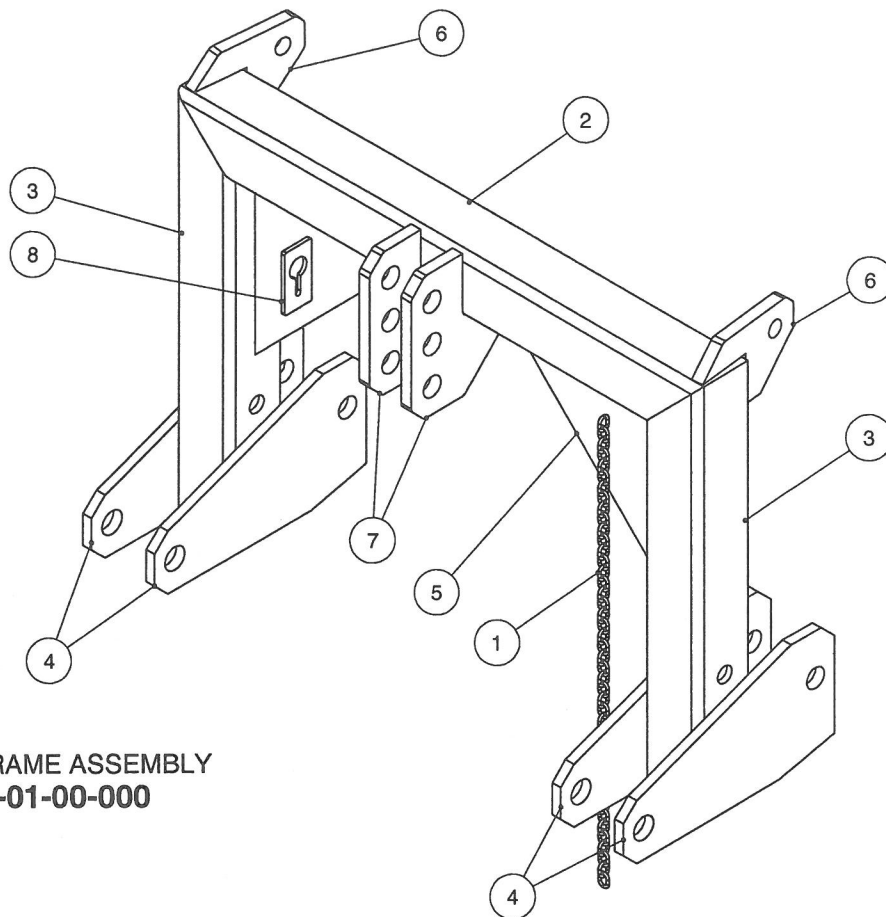
AUGER AGITATOR COMPLETE  
485-00-00-000

DETAIL C  
SCALE 0.07:1

# AUGER AGITATOR COMPLETE

PARTS LIST			
ITEM	PART NUMBER	DESCRIPTION	QTY
1	485-01-00-000	HITCH FRAME ASSY	1
2	485-02-00-000	CARRIAGE FRAME ASSY	1
3	485-08-00-000	DRIVE SHAFT TUBE ASSY	1
4	485-02-01-000	LOCK PIN & CHAIN ASSY	1
4.1	485-02-01-016	LOCK PIN CHAIN	1
4.2	485-02-01-015	LOCK PIN	1
4.3	485-02-01-017	PIN HANDLE	1
4.4	R07830	1 1/4" FLAT WASHER	1
5	485-07-00-000	DRIVE SHAFT ASSY	1
5.1	485-07-00-034	DRIVE SHAFT	1
5.2	280-05-00-031	THRUST BEARING BLOCK	1
6	485-06-00-000	SHROUD ASSY	1
7	485-04-00-000	AUGER HUB ASSY	1
7.1	485-04-00-023	HUB FLANGE	1
7.2	485-04-00-022	AUGER HUB	1
8	485-05-00-000	AUGER ASSY	1
9	242-22-00-000	1 3/4" MARINE BEARING HOLDER COMPLETE	2
9.1	242-22-27-000	MARINE BEARING HOLDER ASSY	1
9.1.1	250-76-34-180	URETHANE BRG SLEEVE	1
9.1.2	242-22-27-235	BEARING HOLDING PLATE	2
9.1.3	242-22-27-236	SET SCREW SLEEVE	2
9.2	R20280	URETHANE	1
10	250-59-00-000	SET SCREW ASSY	4
10.1	250-59-00-141	SS SET SCREW REDDI ROD	1
10.2	R08235	1/2 S.S. HEX NUT	1
11	244-88-00-000	WOOD BEARING GREASE BOLT KIT	2
11.1	244-88-00-451	WOOD BEARING GREASE BOLT	1
11.2	R08183	1/4" - 28 STRAIGHT GREASE FITTING	1
12	480-08-00-000	PIVOT PIN ASSY	2
12.1	480-08-00-048	PIVOT PIN	1
12.2	R07828	1" FLAT WASHER	1
13	485-03-00-000	CYLINDER BAR ASSY	2
13.1	485-03-00-019	CYLINDER BAR	1
13.2	485-03-00-020	CYLINDER BAR BUSHING	1
14	485-10-00-000	LIFT BAR PIN ASSY	2
14.1	485-10-00-054	LIFT BAR PIN	1
14.2	R07828	1" FLAT WASHER	1
15	480-06-00-000	STAND ASSY	2
16	480-15-00-000	LEG PIN ASSY	2
16.1	480-15-00-068	LEG PIN	1
16.2	R07827	3/4" FLAT WASHER	1
16.3	R07925	1/4 x 1 1/2 PLATED RING	1
17	480-13-00-000	HITCH PIN ASSY	2
17.1	480-13-00-067	HITCH PIN	1
17.2	R07828	1" FLAT WASHER	1
17.3	R07925	1/4 x 1 1/2 PLATED RING	1
18	485-00-00-021	PIVOT PIN	1
19	290-00-00-167	HYDRAULIC HOSE CLIP	8
20	485-00-00-047	PTO GUARD BRKT	1
21	296-00-00-033	PTO GUARD	1
22	R22531	3 x 24" HYD CYLINDER	2
23	R22534	2 1/2 x 16" HYD CYLINDER	2
24	R08040	2 - 18 LYNCH PIN	7
25	R20206	1 3/4" THRUST BEARING	1
26	R07638	1/2 x 1 1/2 HEX BOLT	6
27	R08219	1/2" NYLOCK NUT	6
28	R07642	1/2 x 3 1/2 HEX BOLT.	2
29	R07785	1/2 HEX NUT	6
30	R07805	1/2 LOCK WASHER	11
31	R20235	5.58" SQ WOOD BEARING	2
32	R08046	1/2 - 13 JAM NUT	4
33	R07674	1/2 x 1 1/4 HEX BOLT	4
34	R08016	1/4 x 2 COTTER PIN	4
35	R08302	3/8-16 UNC x 1 5/8" WELD STUD	8
36	R07619	3/8 x 1 HEX BOLT	2
37	R07886	3/8 - 2 WAY LOCK NUT	2
38	R09509	"MADE IN CANADA" DECAL - LARGE	1
39	R09071	SERIAL NUMBER PLATE	1
40	R09785	"DANGER ROTATING DRIVELINE" DECAL	1
41	R08152	6 x 1/4 PAN HD SOCKET SCREW	2
42	R09582	GREASE SYMBOL DECAL	3
43	R07794	3/8 FLANGE NUT	8
44	R02043	BUSHING 1/2 x 3/8	6
45	R21328	3/8 NPT x 90 DEG SW. ADAPTER	6
46	R21400	3/8" SOLID TEE	2
47	R07647	5/8 x 2" HEX BOLT	6
48	R07887	5/8 HEX NUT	6

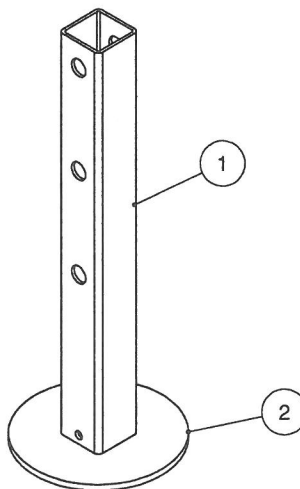
# HITCH FRAME ASSY



**HITCH FRAME ASSEMBLY  
485-01-00-000**

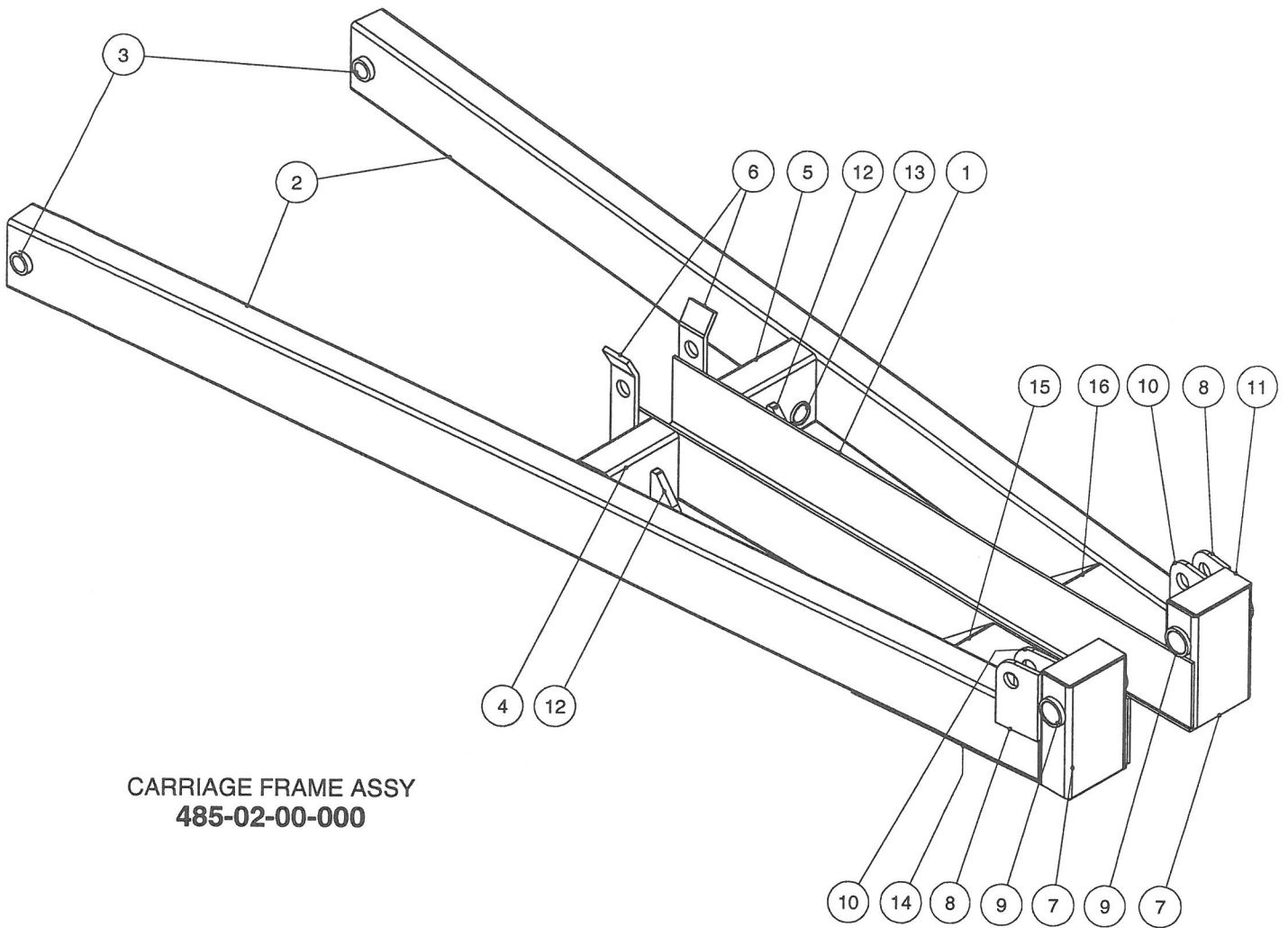
PARTS LIST			
ITEM	PART NUMBER	DESCRIPTION	QTY
1	480-01-00-044	PTO RETAINING CHAIN	1
2	480-01-00-002	HITCH FRAME TOP PC	1
3	480-01-00-001	HITCH FRAME SIDE	2
4	480-01-00-005	HITCH PLATE	4
5	480-01-00-004	GUSSET	2
6	480-01-00-009	CYLINDER BRKT	2
7	480-01-00-003	UPPER LINK CONN PLATE	2
8	480-01-00-008	CHAIN BRKT	1

**STAND ASSEMBLY  
480-06-00-000  
(2 REQ'D)**



PARTS LIST			
ITEM	PART NUMBER	DESCRIPTION	QTY
1	480-06-00-045	STAND LEG	1
2	480-06-00-046	STAND FOOT	1

# CARRIAGE FRAME ASSY

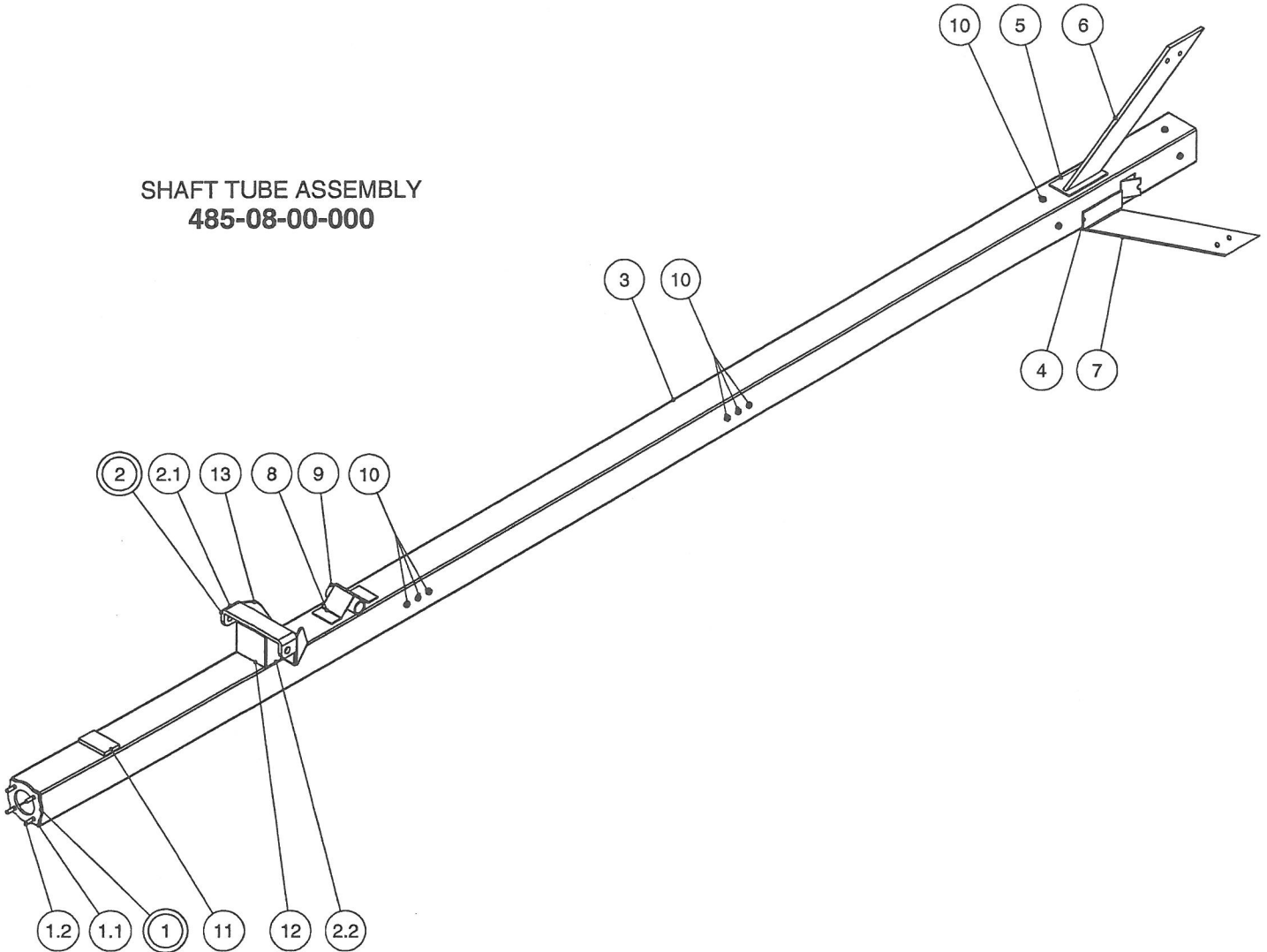


**CARRIAGE FRAME ASSY  
485-02-00-000**

PARTS LIST			
ITEM	PART NUMBER	DESCRIPTION	QTY
1	485-02-00-003	CRADDLE	1
2	485-02-00-001	LIFT ARM	2
3	485-02-00-002	LIFT ARM BUSHING	2
4	485-02-00-055	LH SUPPORT TUBE w/ HOLE	1
5	485-02-00-004	RH SUPPORT TUBE w/ HOLE	1
6	485-02-00-005	HOLD DOWN BRKT	2
7	485-02-00-009	VERTICAL TUBE	2
8	485-02-00-011	OUTER BRKT	2
9	485-02-00-014	VERTICAL TUBE PIN SLEEVE	2
10	485-02-00-048	INSIDE CYL. BRKT	2
11	485-02-00-049	CAP	2
12	485-02-00-013	CYLINDER LUG	2
13	485-02-00-056	HOSE TUBE	2
14	485-02-00-007	LOWER GUSSET	1
15	485-02-00-006	UPPER GUSSET - LEFT	1
16	485-02-00-057	UPPER GUSSET - RIGHT	1

# SHAFT TUBE ASSY

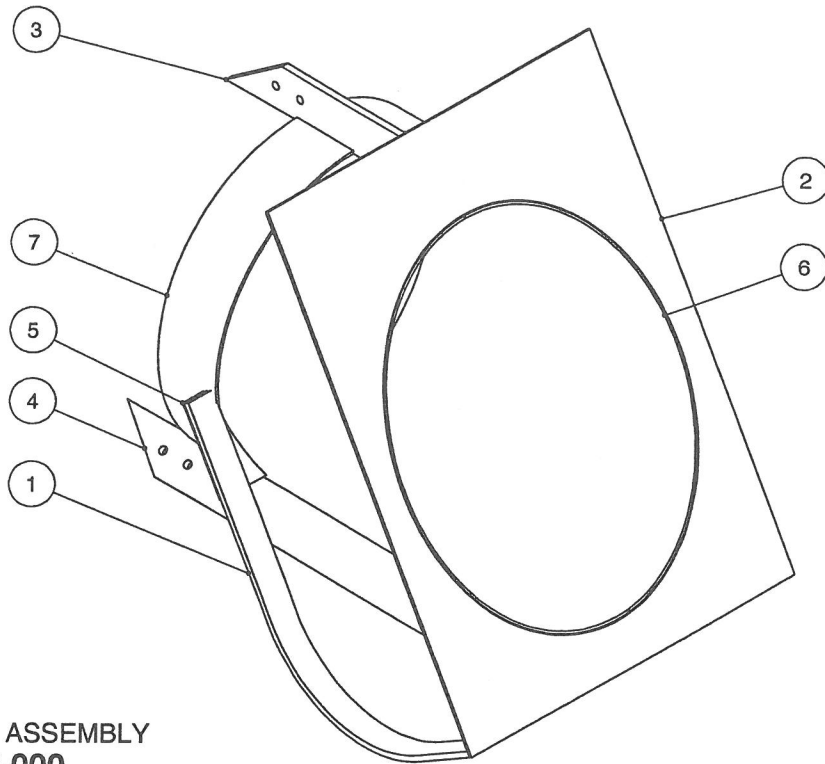
## SHAFT TUBE ASSEMBLY 485-08-00-000



### PARTS LIST

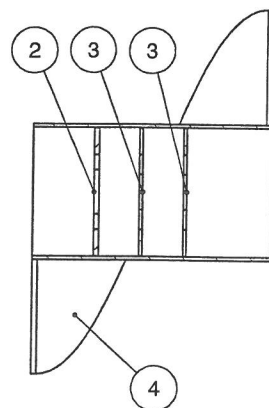
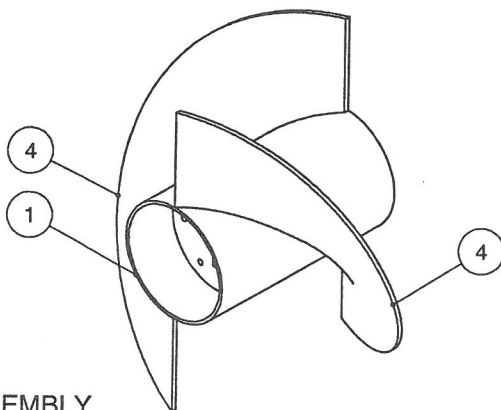
ITEM	PART NUMBER	DESCRIPTION	QTY
1	485-08-03-000	BEARING FLANGE ASSY	1
1.1	480-03-00-012	BEARING FLANGE	1
1.2	R07639	1/2 x 2 HEX BOLT	4
2	485-08-02-000	CYL BRACKET ASSY	1
2.1	485-08-02-050	CYLINDER U-BRKT	1
2.2	485-08-02-051	U - BRACKET LEG	2
3	485-08-00-035	DRIVE SHAFT TUBE	1
4	485-08-00-043	BRACE REINFORCING BRKT	1
5	485-08-00-038	TOP BRACE PLATE	1
6	485-08-00-037	TOP BRACE	1
7	485-08-00-039	SIDE BRACE	2
8	485-08-00-041	PIVOT SLEEVE REINF PLATE	1
9	485-08-00-036	PIVOT SLEEVE	1
10	R08304	1/2 S.S. FLANGE NUT	10
11	485-08-00-040	SPACER PLATE	1
12	485-08-00-053	CYL BRKT CAP	1
13	485-08-00-052	CYL BRKT GUSSET	1

# AUGER & HOUSING ASSY



**AUGER HOUSING ASSEMBLY  
485-06-00-000**

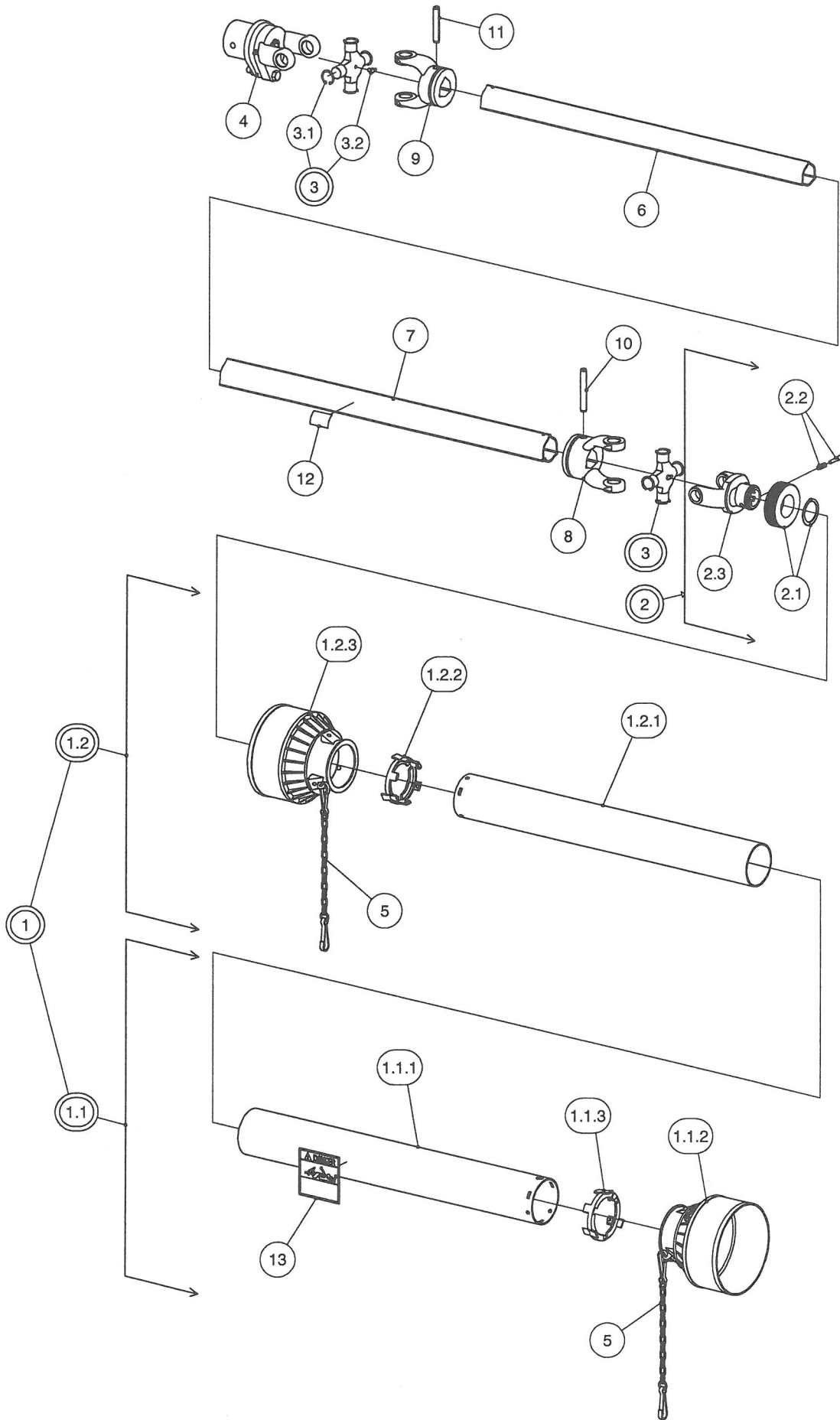
PARTS LIST			
ITEM	PART NUMBER	DESCRIPTION	QTY
1	485-06-00-030	SHROUD RUNNER	2
2	485-06-00-029	SHROUD WALL PLATE	1
3	485-06-00-031	SHROUD TOP BRACE	1
4	485-06-00-032	SHROUD SIDE BRACE	2
5	485-06-00-033	RUNNER SUPPORT	2
6	485-06-00-028	AUGER SHROUD	1
7	485-06-00-059	SHROUD REINFORCING RING	1



**AUGER ASSEMBLY  
485-05-00-000**

PARTS LIST			
ITEM	PART NUMBER	DESCRIPTION	QTY
1	485-05-00-024	AUGER TUBE	1
2	485-05-00-025	END FLANGE	1
3	485-05-00-026	MIDDLE FLANGE	2
4	485-05-00-027	AUGER FLITE	2

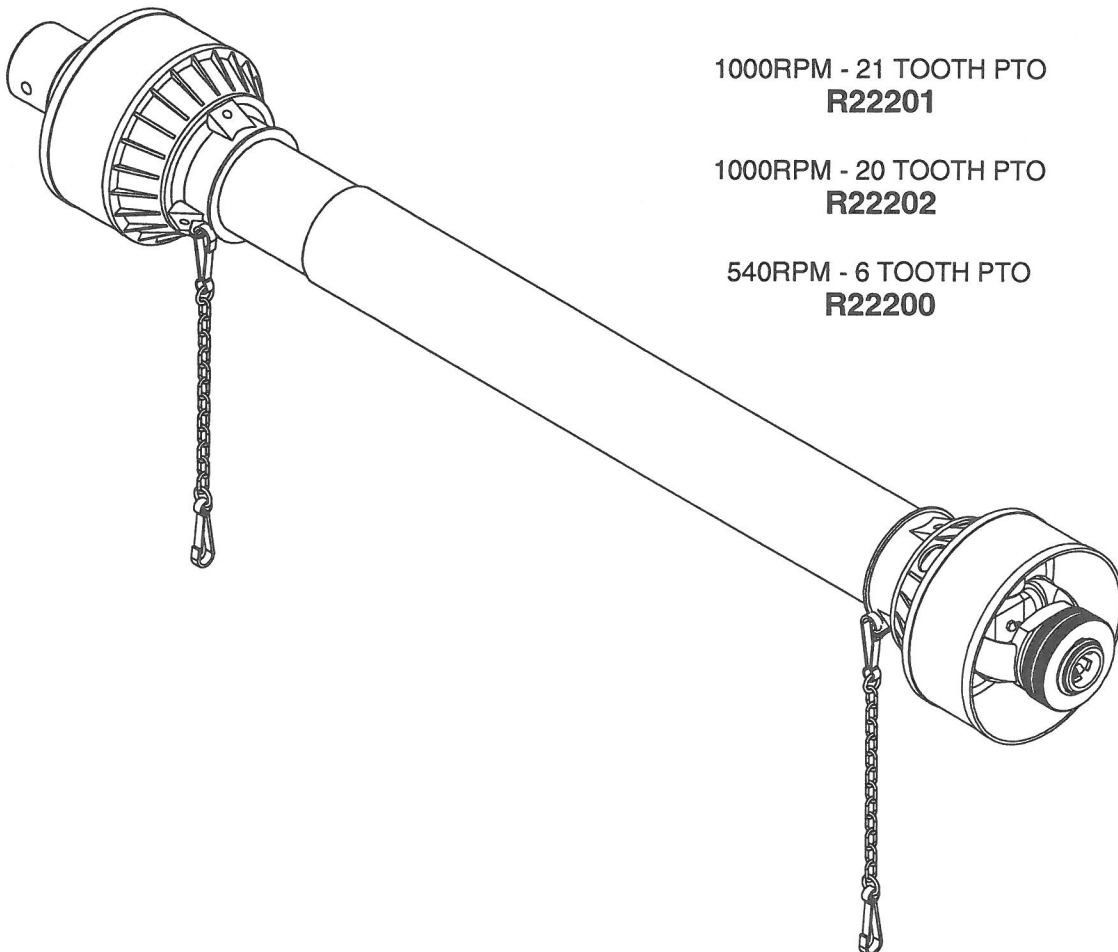
BONDIOLI & PAVESI PTO  
w/ 1 3/4" SHEAR YOKE





**BONDIOLI & PAVESI PTO  
w/ 1 3/4" SHEAR YOKE**

PARTS LIST				
ITEM	MFG #	PART NUMBER	DESCRIPTION	QTY
1	5F08101FFFX	R21629	SAFETY GUARD COMPLETE	1
1.1	5FE8101FFFX	R21627	HALF SAFETY GUARD - OUTER	1
1.1.1	236850732	R21618	CM SAFETY TUBE	1
1.1.2	517080130	R21610	OUTER CONE SETS N8-9	1
1.1.3	255080005R02	R21609	I. BEARING 3-4	1
1.2	5F18101FFFX	R21628	HALF SAFETY GUARD - INNER	1
1.2.1	236840732	R21617	CM SAFETY TUBE	1
1.2.2	255080006R02	R21608	I. BEARING 3-4	1
1.2.3	517080120	R21611	INNER CONE SETS N8-9	1
2	572083851	R21644	1 3/8 - 20 TOOTH QD YOKE w/ SLEEVES	1
2	572080351	R21641	1 3/8 - 6 TOOTH QD YOKE w/ SLEEVES	1
2	572083751	R21640	1 3/8 - 21 TOOTH QD YOKE w/ SLEEVES	1
2.1	240003551	R21713	R.S. COLLAR KIT	1
2.2	403000001R10	R21669	COMPLETE PUSH BUTTON	1
3	41208	R21614	CROSS JOURNAL ASSY	2
3.1	338023000	R21621	CIRCLIP	4
3.2	348004000	R21655	GREASE NIPPLE 45 DEG	1
4	606598802R	R21648	1 3/4" RD HOLE SHEAR YOKE	1
5	252000005R02	R21738	SHIELD TIE CHAIN	2
6	225690803	R21615	CARDAN TUBE - INNER	1
7	225730803	R21616	CARDAN TUBE - OUTER	1
8	204086860	R21620	OUTER TUBE YOKE	1
9	204086861	R21619	INNER TUBE YOKE	1
10	341051000	R21613	FLEXIBLE PIN	1
11	34105500R10	R21612	FLEXIBLE PIN	1
12		R21523	"SHIELD MISSING" DECAL	1
13		R21521	"ROTATING DRIVE LINE" DECAL	1



1000RPM - 21 TOOTH PTO  
**R22201**

1000RPM - 20 TOOTH PTO  
**R22202**

540RPM - 6 TOOTH PTO  
**R22200**

