

Date Purchased _____ Machine Serial No. _____

Size of Agitator _____ Options _____

The key number system in this parts book is arranged as follows:

- ⊙ - Key numbers with two circles denotes main assemblies.
- - Key numbers with one circle are individual parts

Please order parts by number



RACEWAY AGITATOR

485-00-00-000 – 24' RACEWAY AGITATOR

484-00-00-000 – 22' RACEWAY AGITATOR

482-00-00-000 – 20' RACEWAY AGITATOR

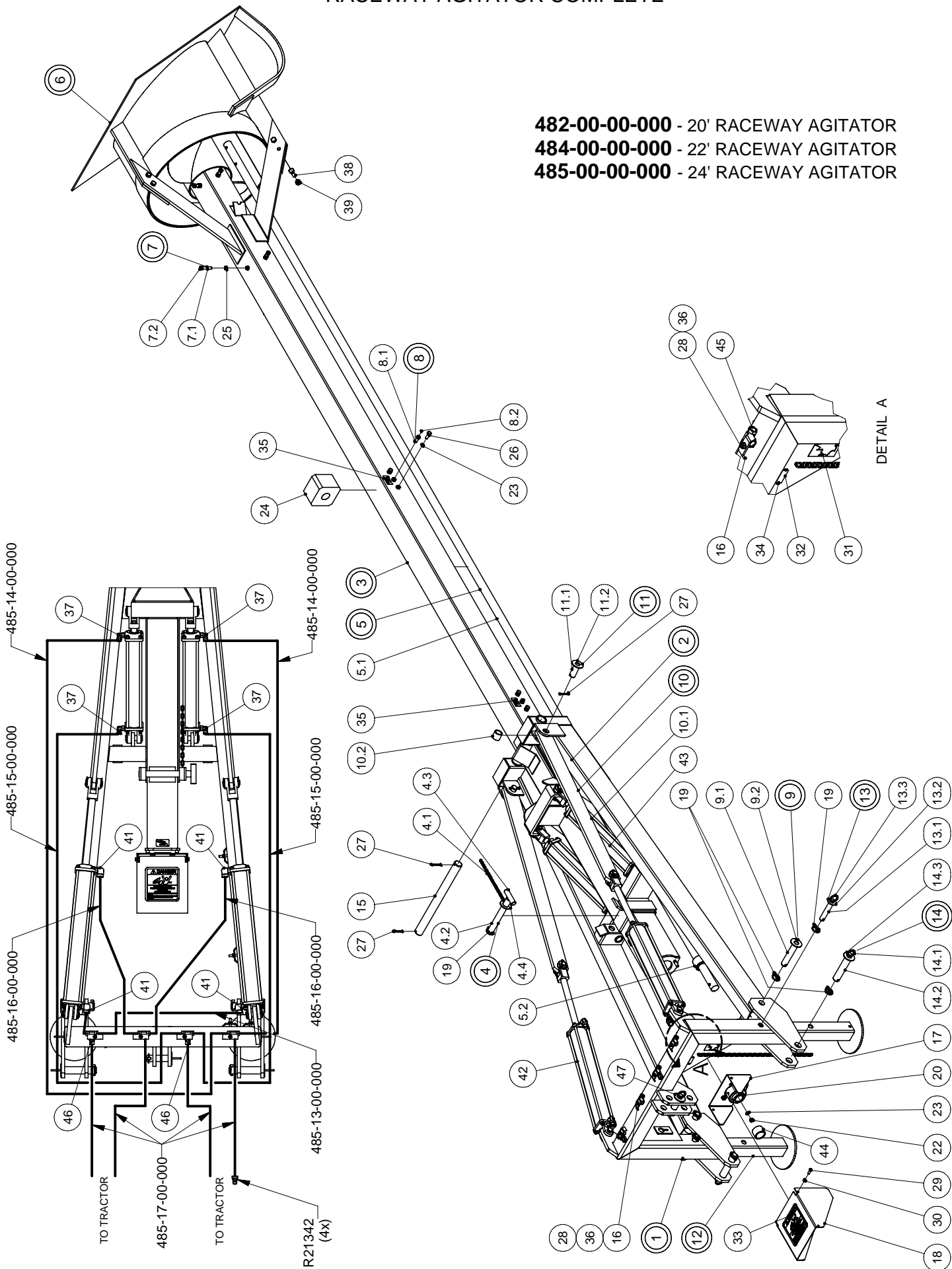
OPERATING INSTRUCTIONS:

We welcome you as an owner of a Husky Raceway Agitator. To ensure this machine reaches its maximum life span and operates at an optimum level, we recommend the following:

1. Do not leave propeller in manure pit – remove agitator from pit – wash off and coat with old oil or diesel fuel.
2. Grease top thrust bearing five to ten shots daily.
3. Grease the wood bearings five shots daily.
4. Grease the PTO knuckles daily and oil the slide tube.
5. Make sure when in use that the PTO knuckles are both taking equal amount of bend otherwise agitator might vibrate.
6. **EXTREME DANGER** – Never enter a dirty manure spreader or storage tank – one breath of hydrogen sulphide gas is enough to kill. Have a ladder in your pit, so that if by accident you should fall in, you can get out.

RACEWAY AGITATOR COMPLETE

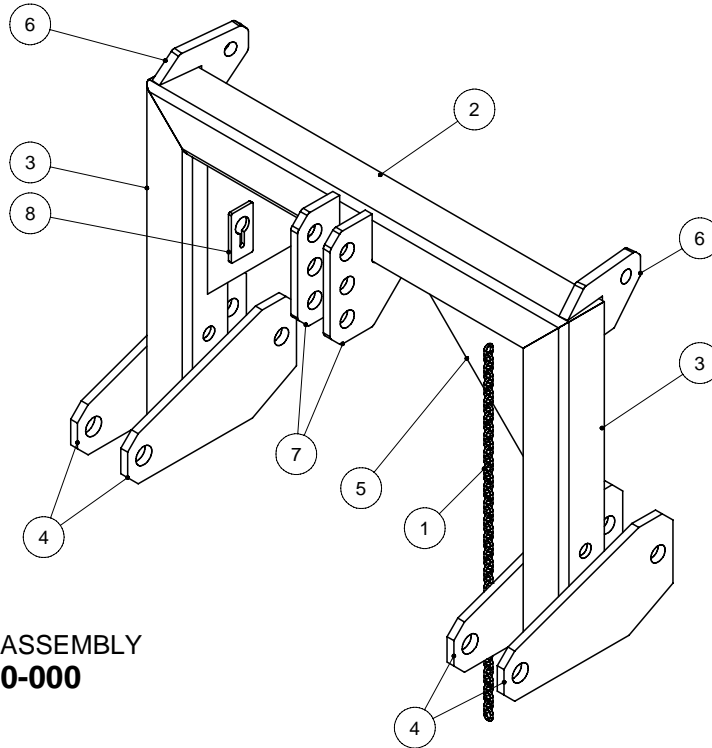
482-00-00-000 - 20' RACEWAY AGITATOR
484-00-00-000 - 22' RACEWAY AGITATOR
485-00-00-000 - 24' RACEWAY AGITATOR



RACEWAY AGITATOR COMPLETE

PARTS LIST				PARTS LIST			
ITEM	PART NUMBER	DESCRIPTION	QTY	ITEM	PART NUMBER	DESCRIPTION	QTY
1	485-01-00-000	HITCH FRAME ASSY	1	14	480-13-00-000	HITCH PIN ASSY	2
2	485-02-00-000	CARRIAGE FRAME ASSY	1	14.2	480-13-00-067	HITCH PIN	1
3	485-08-00-000	24' DRIVE SHAFT TUBE ASSY	1	14.3	R07828	1" FLAT WASHER	1
	484-02-00-000	22' DRIVE SHAFT TUBE ASSY	1	14.1	250-00-00-354	1/4 X 1 1/2" RING	1
	482-02-00-000	20' DRIVE SHAFT TUBE ASSY	1	15	485-00-00-021	PIVOT PIN	1
4	485-02-01-000	LOCK PIN & CHAIN ASSY	1	16	290-00-00-167	HYDRAULIC HOSE CLIP	9
4.1	485-02-01-016	LOCK PIN CHAIN	1	17	485-00-00-047	PTO GUARD BRKT	1
4.2	485-02-01-015	LOCK PIN	1	18	296-00-00-033	PTO GUARD	1
4.3	485-02-01-017	PIN HANDLE	1	19	R08040	2 - 18 LYNCH PIN	8
4.4	R07830	1 1/4" FLAT WASHER	1	20	R20206	1 3/4" THRUST BEARING	1
5	485-07-00-000	24' DRIVE SHAFT ASSY	1	21	R07642	1/2 x 3 1/2 HEX BOLT	2
	484-01-00-000	22' DRIVE SHAFT ASSY	1	22	R07785	1/2 HEX NUT	6
	482-01-00-000	20' DRIVE SHAFT ASSY	1	23	R07805	1/2 LOCK WASHER	10
5.1	485-07-00-034	DRIVE SHAFT - 24ft PROP	1	24	R20235	5.58" SQ WOOD BEARING	2
	484-01-00-001	DRIVE SHAFT - 22ft PROP	1	25	R08046	1/2 - 13 JAM NUT	4
	482-01-00-001	DRIVE SHAFT - 20ft PROP	1	26	R07674	1/2 x 1 1/4 HEX BOLT	4
5.2	280-05-00-031	THRUST BEARING BLOCK	1	27	R08016	1/4 x 2 COTTER PIN	4
6	485-06-00-000	SHROUD ASSY	1	28	R08302	3/8-16 UNC x 1 5/8" WELD STUD	9
7	250-59-00-000	SET SCREW ASSY	4	29	R07619	3/8 x 1 HEX BOLT	2
7.1	250-59-00-141	SS SET SCREW REDDI ROD	1	30	R07886	3/8 - 2 WAY LOCK NUT	2
7.2	R08235	1/2 S.S. HEX NUT	1	31	R09509	"MADE IN CANADA" DECAL - LARGE	1
8	244-88-00-000	WOOD BEARING GREASE BOLT KIT	2	32	R09071	SERIAL NUMBER PLATE	1
8.1	244-88-00-451	WOOD BEARING GREASE BOLT	1	33	R09785	DANGER ROTATING DRIVELINE DECAL	1
8.2	R08183	1/4" - 28 STRAIGHT GREASE FITTING	1	34	R08152	6 x 1/4 PAN HD SOCKET SCREW	2
9	480-08-00-000	PIVOT PIN ASSY	2	35	R09582	GREASE SYMBOL DECAL	3
9.1	480-08-00-048	PIVOT PIN	1	36	R07794	3/8 FLANGE NUT	9
9.2	R07828	1" FLAT WASHER	1	37	R21328	3/8 NPT x 90 DEG SW. ADAPTER	4
10	485-03-00-000	CYLINDER BAR ASSY	2	38	R07647	5/8 x 2" HEX BOLT	6
10.1	485-03-00-019	CYLINDER BAR	1	39	R07887	5/8 HEX NUT	6
10.2	485-03-00-020	CYLINDER BAR BUSHING	1	40	R02043	BUSHING 1/2 x 3/8	4
11	485-10-00-000	LIFT BAR PIN ASSY	2	41	R21367	1/2 X 90 HYD ELBOW	4
11.1	485-10-00-054	LIFT BAR PIN	1	42	R22531	3 x 24 HYDRAULIC CYLINDER	2
11.2	R07828	1" FLAT WASHER	1	43	R22534	2 1/2 x 16 HYDRAULIC CYLINDER	2
12	480-06-00-000	STAND ASSY	2	44	280-00-00-052	SPACER PIPE	1
13	480-15-00-000	LEG PIN ASSY	2	45	R21395	3/8 NPT S.W. FEMALE TEE	4
13.1	480-15-00-068	LEG PIN	1	46	R21336	3/8 - 18 RESTRICTOR	2
13.2	R07827	3/4" FLAT WASHER	1	47	480-19-00-000	TOP LINK PIN ASSY	1
13.3	250-00-00-354	1/4 X 1 1/2" RING	1				

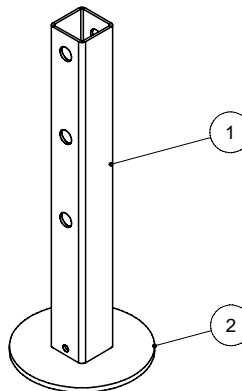
HITCH FRAME ASSY



**HITCH FRAME ASSEMBLY
485-01-00-000**

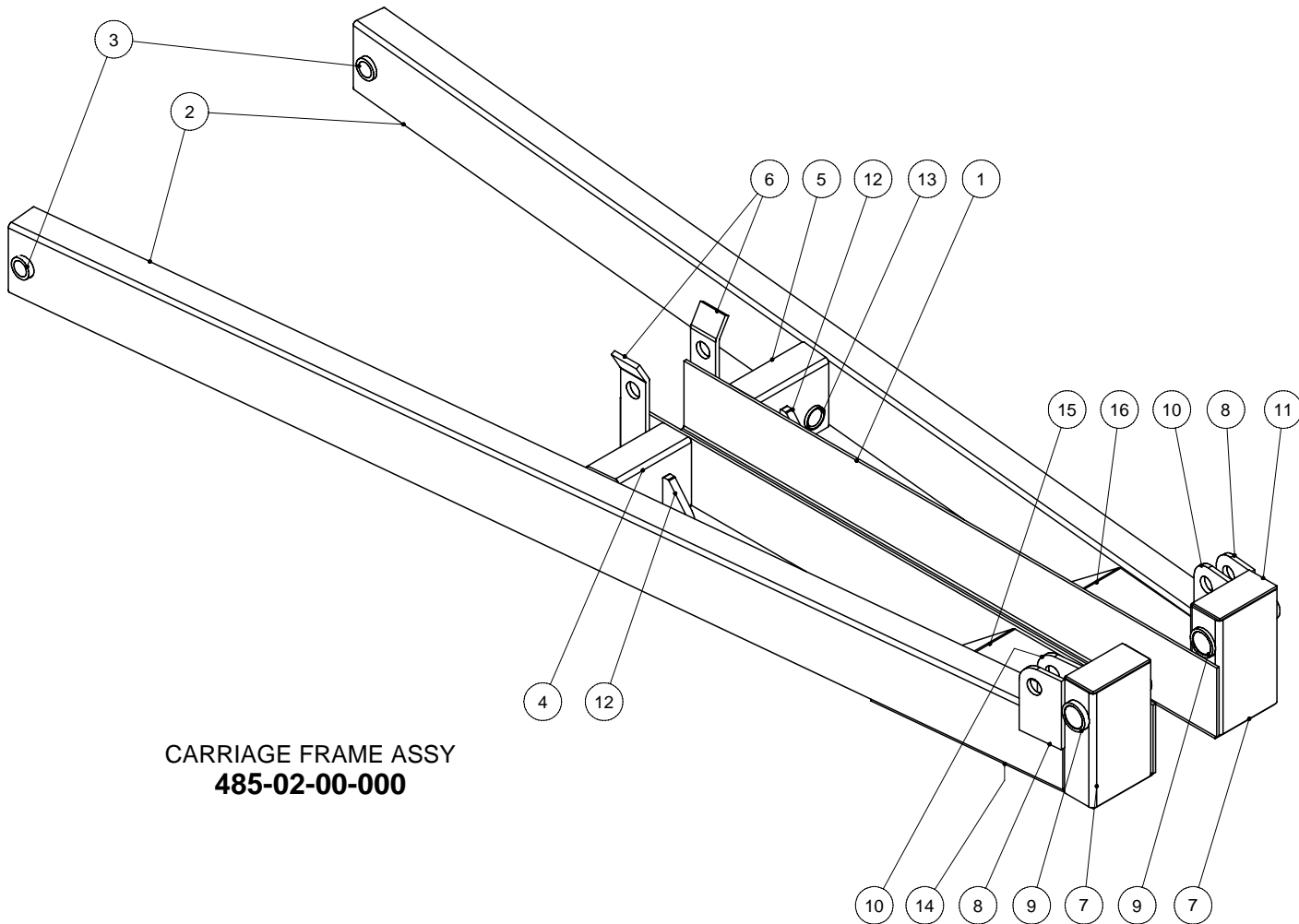
PARTS LIST			
ITEM	PART NUMBER	DESCRIPTION	QTY
1	480-01-00-044	PTO RETAINING CHAIN	1
2	480-01-00-002	HITCH FRAME TOP PC	1
3	480-01-00-001	HITCH FRAME SIDE	2
4	480-01-00-005	HITCH PLATE	4
5	480-01-00-004	GUSSET	2
6	480-01-00-009	CYLINDER BRKT	2
7	480-01-00-003	UPPER LINK CONN PLATE	2
8	480-01-00-008	CHAIN BRKT	1

**STAND ASSEMBLY
480-06-00-000
(2 REQ'D)**



PARTS LIST			
ITEM	PART NUMBER	DESCRIPTION	QTY
1	480-06-00-045	STAND LEG	1
2	480-06-00-046	STAND FOOT	1

CARRIAGE FRAME ASSY



**CARRIAGE FRAME ASSY
485-02-00-000**

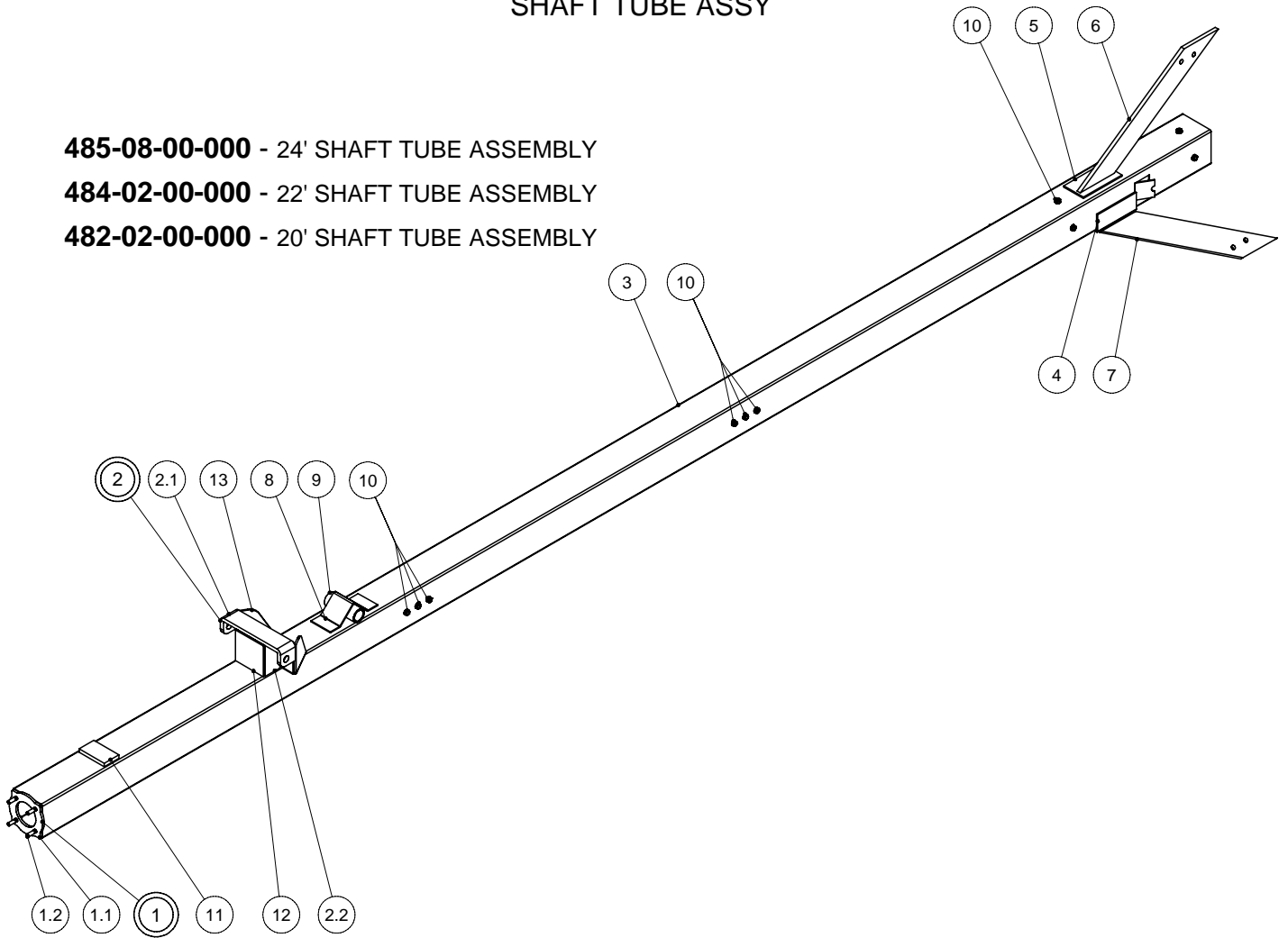
PARTS LIST			
ITEM	PART NUMBER	DESCRIPTION	QTY
1	485-02-00-003	CRADDLE	1
2	485-02-00-001	LIFT ARM	2
3	485-02-00-002	LIFT ARM BUSHING	2
4	485-02-00-055	LH SUPPORT TUBE w/ HOLE	1
5	485-02-00-004	RH SUPPORT TUBE w/ HOLE	1
6	485-02-00-005	HOLD DOWN BRKT	2
7	485-02-00-009	VERTICAL TUBE	2
8	485-02-00-011	OUTER BRKT	2
9	485-02-00-014	VERTICAL TUBE PIN SLEEVE	2
10	485-02-00-048	INSIDE CYL. BRKT	2
11	485-02-00-049	CAP	2
12	485-02-00-013	CYLINDER LUG	2
13	485-02-00-056	HOSE TUBE	2
14	485-02-00-007	LOWER GUSSET	1
15	485-02-00-006	UPPER GUSSET - LEFT	1
16	485-02-00-057	UPPER GUSSET - RIGHT	1

SHAFT TUBE ASSY

485-08-00-000 - 24' SHAFT TUBE ASSEMBLY

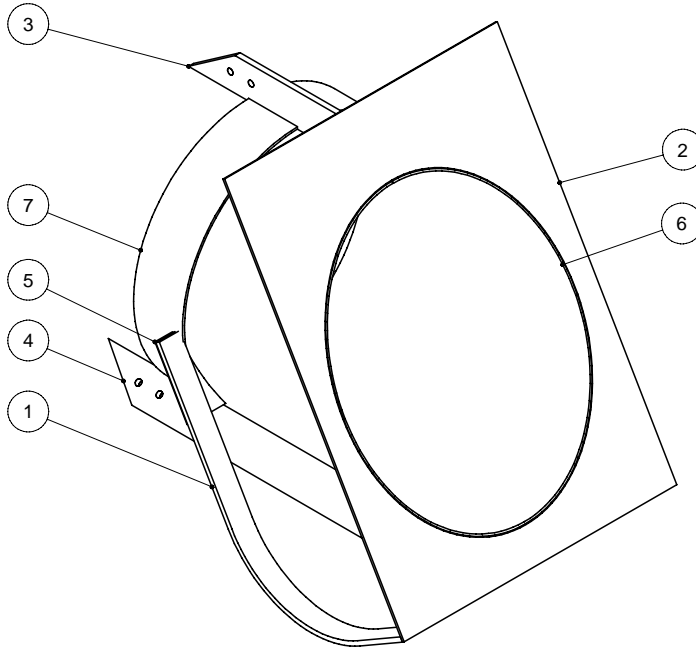
484-02-00-000 - 22' SHAFT TUBE ASSEMBLY

482-02-00-000 - 20' SHAFT TUBE ASSEMBLY



PARTS LIST			
ITEM	PART NUMBER	DESCRIPTION	QTY
1	485-08-03-000	BEARING FLANGE ASSY	1
1.1	480-03-00-012	BEARING FLANGE	1
1.2	R07639	1/2 x 2 HEX BOLT	4
2	485-08-02-000	CYL BRACKET ASSY	1
2.1	485-08-02-050	CYLINDER U-BRKT	1
2.2	485-08-02-051	U - BRACKET LEG	2
3	485-08-00-035	24' DRIVE SHAFT TUBE	1
	484-02-00-002	22' DRIVE SHAFT TUBE	1
	482-02-00-002	20' DRIVE SHAFT TUBE	1
4	485-08-00-043	BRACE REINFORCING BRKT	1
5	485-08-00-038	TOP BRACE PLATE	1
6	485-08-00-037	TOP BRACE	1
7	485-08-00-039	SIDE BRACE	2
8	485-08-00-041	PIVOT SLEEVE REINF PLATE	1
9	485-08-00-036	PIVOT SLEEVE	1
10	R08304	1/2 S.S. FLANGE NUT	10
11	485-08-00-040	SPACER PLATE	1
12	485-08-00-053	CYL BRKT CAP	1
13	485-08-00-052	CYL BRKT GUSSET	1

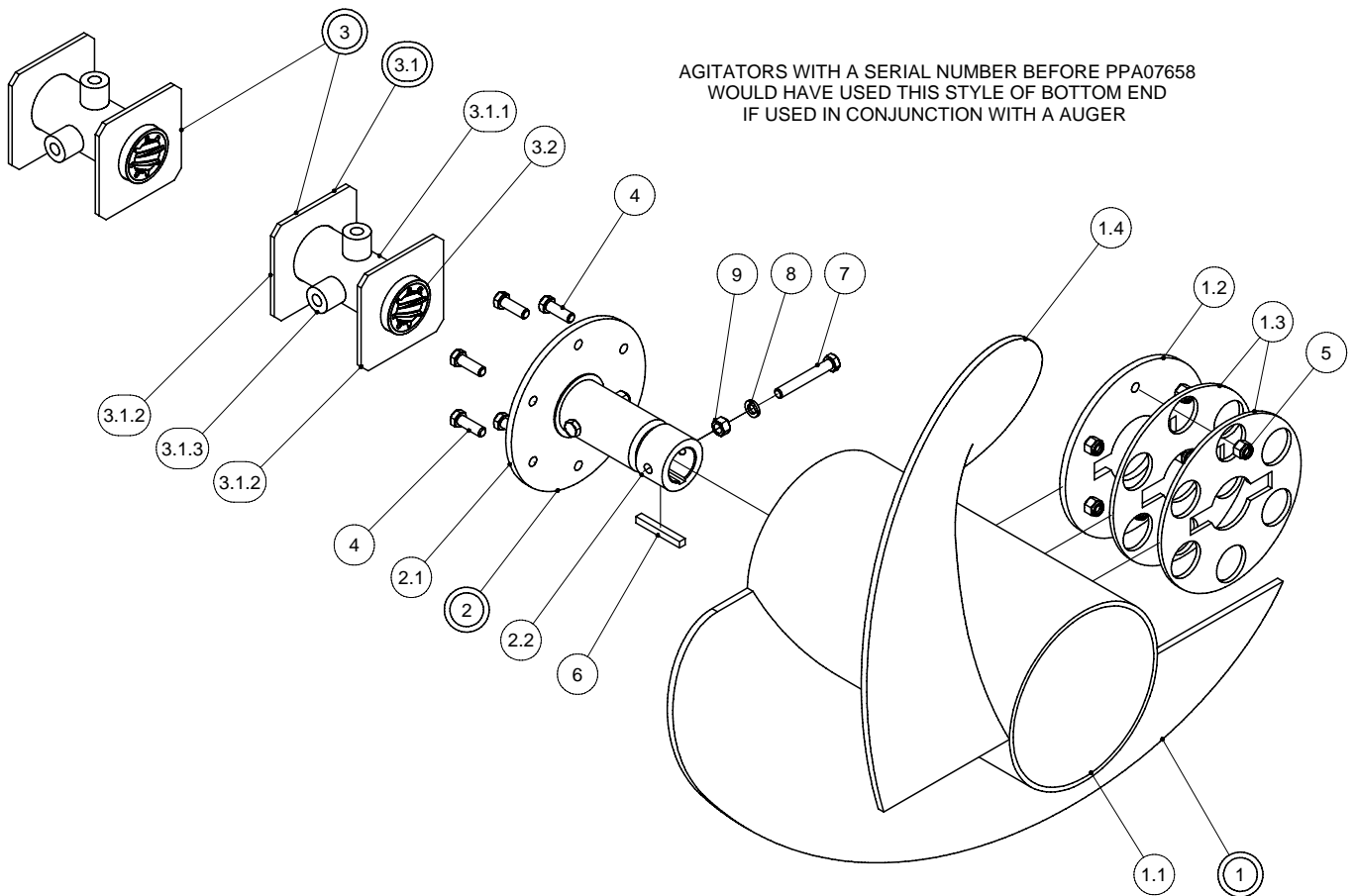
HOUSING ASSY



AUGER HOUSING ASSEMBLY 485-06-00-000

PARTS LIST			
ITEM	PART NUMBER	DESCRIPTION	QTY
1	485-06-00-030	SHROUD RUNNER	2
2	485-06-00-029	SHROUD WALL PLATE	1
3	485-06-00-031	SHROUD TOP BRACE	1
4	485-06-00-032	SHROUD SIDE BRACE	2
5	485-06-00-033	RUNNER SUPPORT	2
6	485-06-00-028	AUGER SHROUD	1
7	485-06-00-059	SHROUD REINFORCING RING	1

BOTTOM END DETAIL 485 - BEFORE 2007

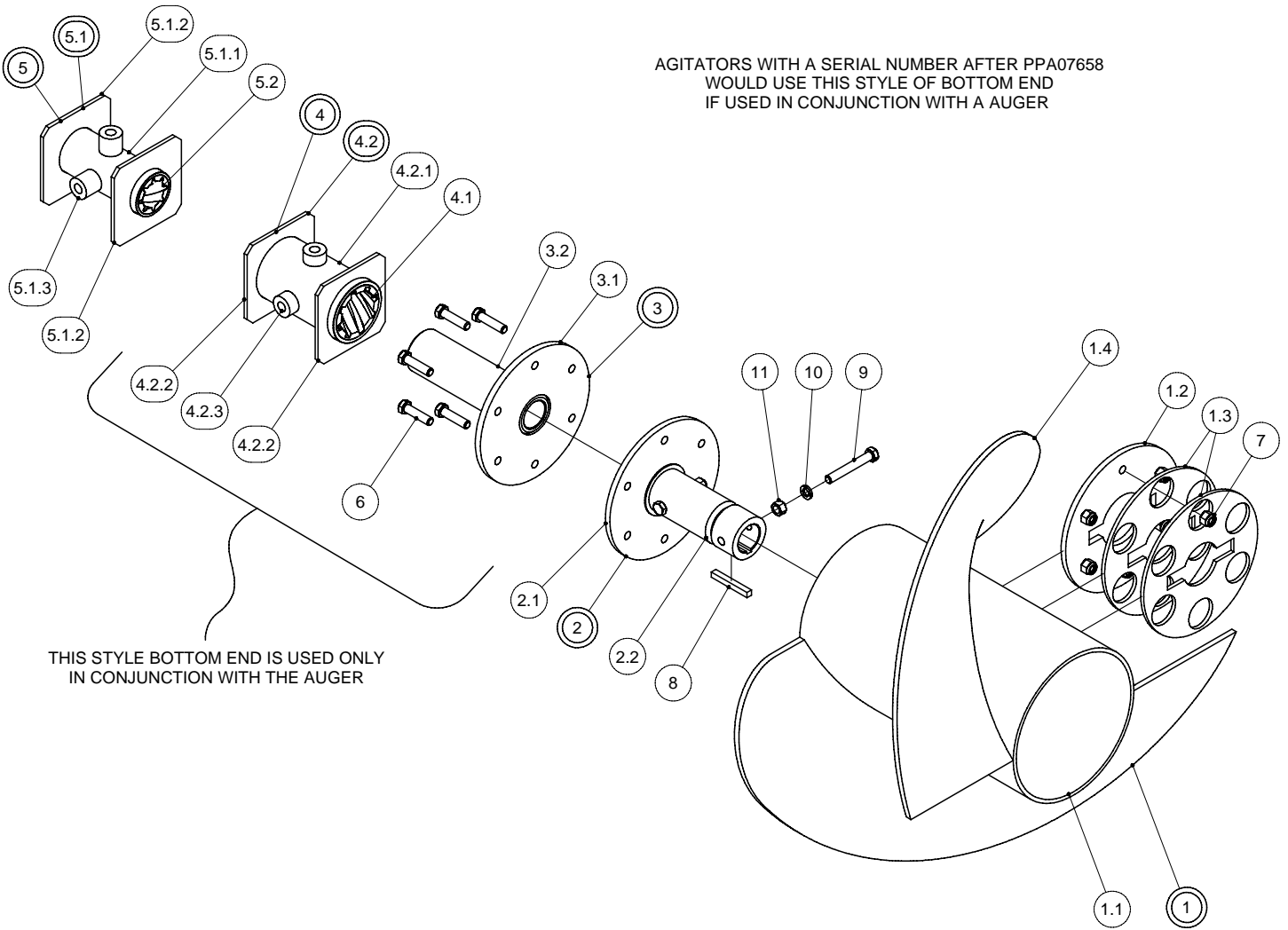


AGITATORS WITH A SERIAL NUMBER BEFORE PPA07658
WOULD HAVE USED THIS STYLE OF BOTTOM END
IF USED IN CONJUNCTION WITH A AUGER

PARTS LIST			
ITEM	PART NUMBER	DESCRIPTION	QTY
1	485-05-00-000	AUGER ASSY	1
1.1	485-05-00-024	AUGER TUBE	1
1.2	485-05-00-025	END FLANGE	1
1.3	485-05-00-026	MIDDLE FLANGE	2
1.4	485-05-00-027	RH AUGER FLITE	2
2	485-04-00-000	AUGER HUB ASSY	1
2.1	485-04-00-023	HUB FLANGE	1
2.2	485-04-00-022	AUGER HUB	1
3	242-22-00-000	1 3/4" MARINE BRG HOLDER COMPLETE	2
3.1	242-22-27-000	MARINE BEARING HOLDER ASSY	1
3.1.1	250-76-34-180	URETHANE BRG SLEEVE	1
3.1.2	242-22-27-235	BEARING HOLDING PLATE	2
3.1.3	242-22-27-236	SET SCREW SLEEVE	2
3.2	R20280	URETHANE	1
4	R07638	1/2 x 1 1/2 UNC HEX BOLT	6
5	R08219	1/2 UNC NYLOCK NUT	6
6	480-00-00-075	3/8 x 75mm KEY	1
7	R07642	1/2 x 3 1/2 UNC HEX BOLT	2
8	R07805	1/2" LOCK WASHER	2
9	R07785	1/2-13 UNC HEX NUT	2

BOTTOM END DETAIL 485 - AFTER 2007

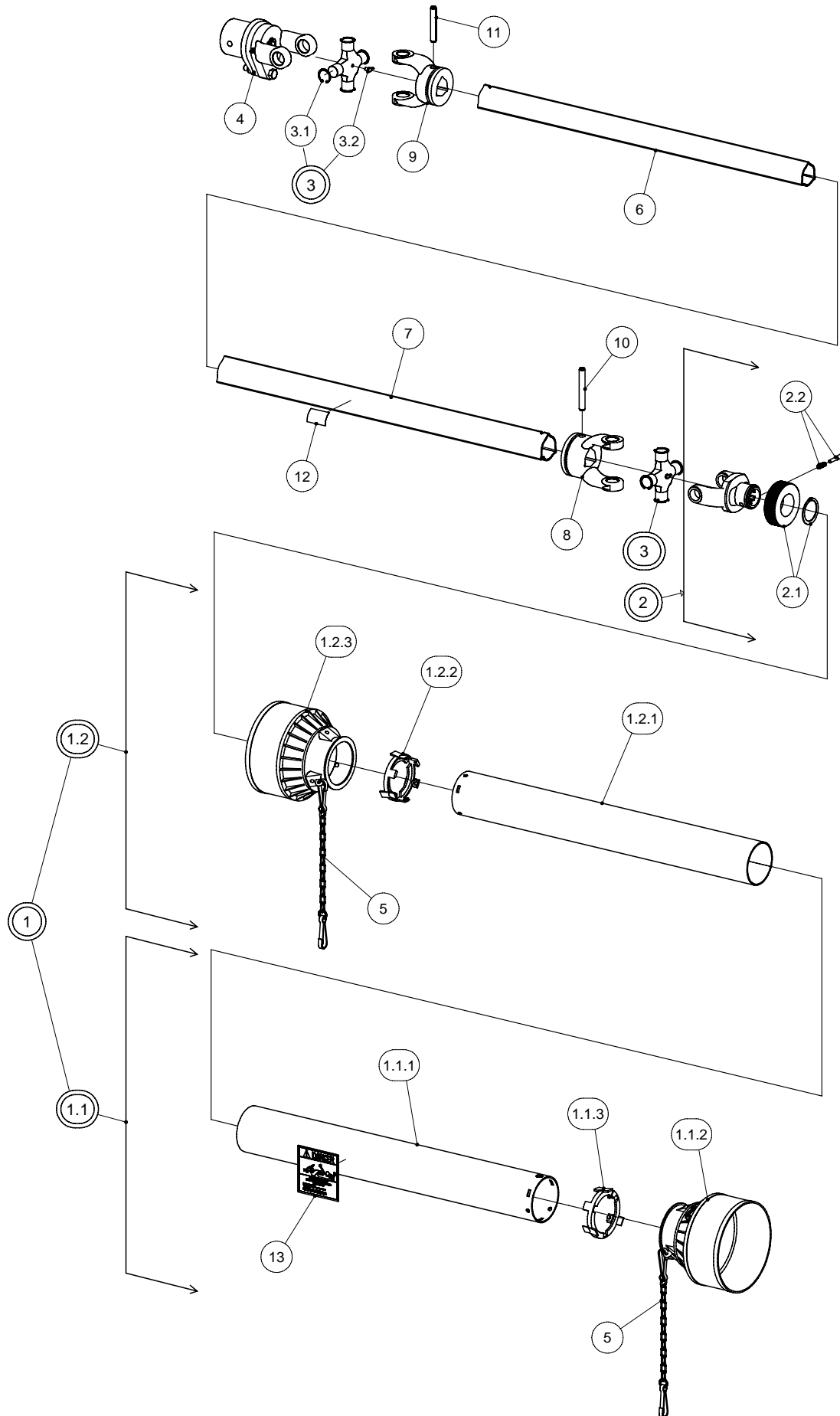
AGITATORS WITH A SERIAL NUMBER AFTER PPA07658
WOULD USE THIS STYLE OF BOTTOM END
IF USED IN CONJUNCTION WITH A AUGER



THIS STYLE BOTTOM END IS USED ONLY
IN CONJUNCTION WITH THE AUGER

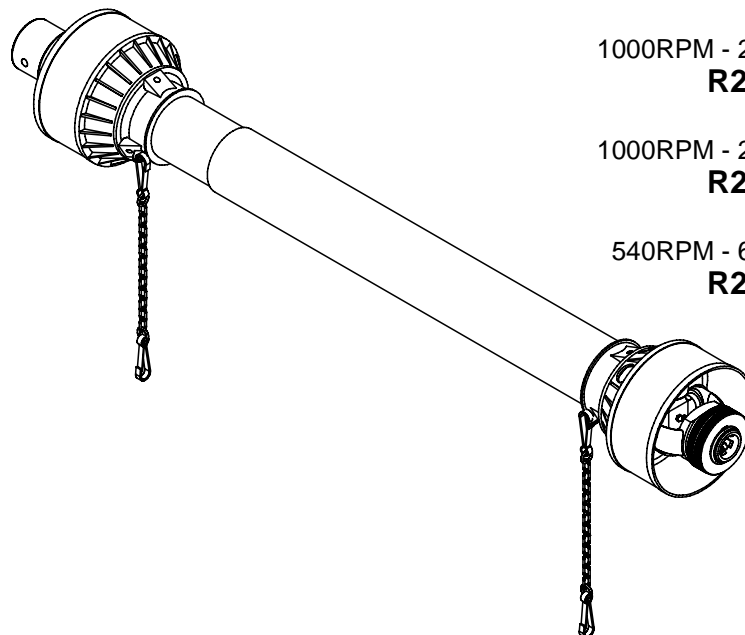
PARTS LIST				PARTS LIST			
ITEM	PART NUMBER	DESCRIPTION	QTY	ITEM	PART NUMBER	DESCRIPTION	QTY
1	485-05-00-000	AUGER ASSY	1	4.2.2	244-13-01-321	BEARING HOLDER PLATE	2
1.1	485-05-00-024	AUGER TUBE	1	4.2.3	244-13-01-322	SET SCREW SEAT	2
1.2	485-05-00-025	END FLANGE	1	5	242-22-00-000	1 3/4" MARINE BRG HOLDER COMPLETE	1
1.3	485-05-00-026	MIDDLE FLANGE	2				
1.4	485-05-00-027	RH AUGER FLITE	2	5.1	242-22-27-000	MARINE BEARING HOLDER ASSY	1
2	485-04-00-000	AUGER HUB ASSY	1	5.1.1	250-76-34-180	URETHANE BRG SLEEVE	1
2.1	485-04-00-023	HUB FLANGE	1	5.1.2	242-22-27-235	BEARING HOLDING PLATE	2
2.2	485-04-00-022	AUGER HUB	1	5.1.3	242-22-27-236	SET SCREW SLEEVE	2
3	485-19-00-000	REINFORCING HUB ASSY	1	5.2	R20280	URETHANE	1
3.1	485-04-00-023	HUB FLANGE	1	6	R07639	1/2 x 2 UNC HEX BOLT	6
3.2	485-19-00-067	REINFORCING HUB	1	7	R08219	1/2 UNC NYLOCK NUT	6
4	244-13-00-000	MARINE BRG AND HOLDER COMP	1	8	480-00-00-075	3/8 x 75mm KEY	1
4.1	R20224	H5000 2 3/4" URETHENE FOR BRG	1	9	R07642	1/2 x 3 1/2 UNC HEX BOLT	2
4.2	244-13-01-000	2 3/4" MARINE BEARING HOLDER	1	10	R07805	1/2" LOCK WASHER	2
4.2.1	244-13-01-320	HOLDER TUBE	1	11	R07785	1/2-13 UNC HEX NUT	2

BONDIOLI & PAVESI PTO
w/ 1 3/4" SHEAR YOKE



**BONDIOLI & PAVESI PTO
w/ 1 3/4" SHEAR YOKE**

PARTS LIST				
ITEM	MFG #	PART NUMBER	DESCRIPTION	QTY
1	5F08101FFFX	R21629	SAFETY GUARD COMPLETE	1
1.1	5FE8101FFFX	R21627	HALF SAFETY GUARD - OUTER	1
1.1.1	236850732	R21618	CM SAFETY TUBE	1
1.1.2	517080130	R21610	OUTER CONE SETS N8-9	1
1.1.3	255080005R02	R21609	I. BEARING 3-4	1
1.2	5F18101FFFX	R21628	HALF SAFETY GUARD - INNER	1
1.2.1	236840732	R21617	CM SAFETY TUBE	1
1.2.2	255080006R02	R21608	I. BEARING 3-4	1
1.2.3	517080120	R21611	INNER CONE SETS N8-9	1
2	572083851	R21644	1 3/8 - 20 TOOTH QD YOKE w/ SLEEVES	1
2	572080351	R21641	1 3/8 - 6 TOOTH QD YOKE w/ SLEEVES	1
2	572083751	R21640	1 3/8 - 21 TOOTH QD YOKE w/ SLEEVES	1
2.1	240003551	R21713	R.S. COLLAR KIT	1
2.2	403000001R10	R21669	COMPLETE PUSH BUTTON	1
3	41208	R21614	CROSS JOURNAL ASSY	2
3.1	338023000	R21621	CIRCLIP	4
3.2	348004000	R21655	GREASE NIPPLE 45 DEG	1
4	606598802R	R21648	1 3/4" RD HOLE SHEAR YOKE	1
5	252000005R02	R21738	SHIELD TIE CHAIN	2
6	225690803	R21615	CARDAN TUBE - INNER	1
7	225730803	R21616	CARDAN TUBE - OUTER	1
8	204086860	R21620	OUTER TUBE YOKE	1
9	204086861	R21619	INNER TUBE YOKE	1
10	341051000	R21613	FLEXIBLE PIN	1
11	34105500R10	R21612	FLEXIBLE PIN	1
12		R21523	"SHIELD MISSING" DECAL	1
13		R21521	"ROTATING DRIVE LINE" DECAL	1



1000RPM - 21 TOOTH PTO
R22201

1000RPM - 20 TOOTH PTO
R22202

540RPM - 6 TOOTH PTO
R22200

GUARANTEE

All Husky Farm Equipment manufactured by Husky Farm Equipment Limited is guaranteed. Guarantee covers all the replacement cost or repair of all parts said to be defective from manufacture. Guarantee also covers labour installing said parts, if installed at Husky Manufacturing plant. Time and use is the essence of the guarantee. If equipment is used on a private property for an individual's use, guarantee will be in effect for twelve months from date of invoice. If equipment is used for commercial use to do custom work for money then guarantee will be in effect for three months only from date of invoice.

EXEMPTIONS FROM GUARANTEE

Cost of transportation of equipment to or from Husky Farm Equipment Limited either by customer or by Husky's service staff or cost of mail or public transportation is not covered. Tires and electric or hydraulic motors are covered by manufacturer's warranty and although Husky may assist to get warranty, Husky will not be responsible other than that allowed by manufacturer's warranty. Items subject to normal wear from use not covered by guarantee if faulty part is simply worn.