

Date Purchased \_\_\_\_\_ Machine Serial No. \_\_\_\_\_

Size of Agitator \_\_\_\_\_ Options \_\_\_\_\_

The key number system in this parts book is arranged as follows:

- ⊙ - Key numbers with two circles denotes main assemblies.
- - Key numbers with one circle are individual parts

Please order parts by number



## **RACEWAY AGITATOR**

**485-00-00-000 – 24' RACEWAY AGITATOR**

**484-00-00-000 – 22' RACEWAY AGITATOR**

**482-00-00-000 – 20' RACEWAY AGITATOR**

### **OPERATING INSTRUCTIONS:**

We welcome you as an owner of a Husky Raceway Agitator. To ensure this machine reaches its maximum life span and operates at an optimum level, we recommend the following:

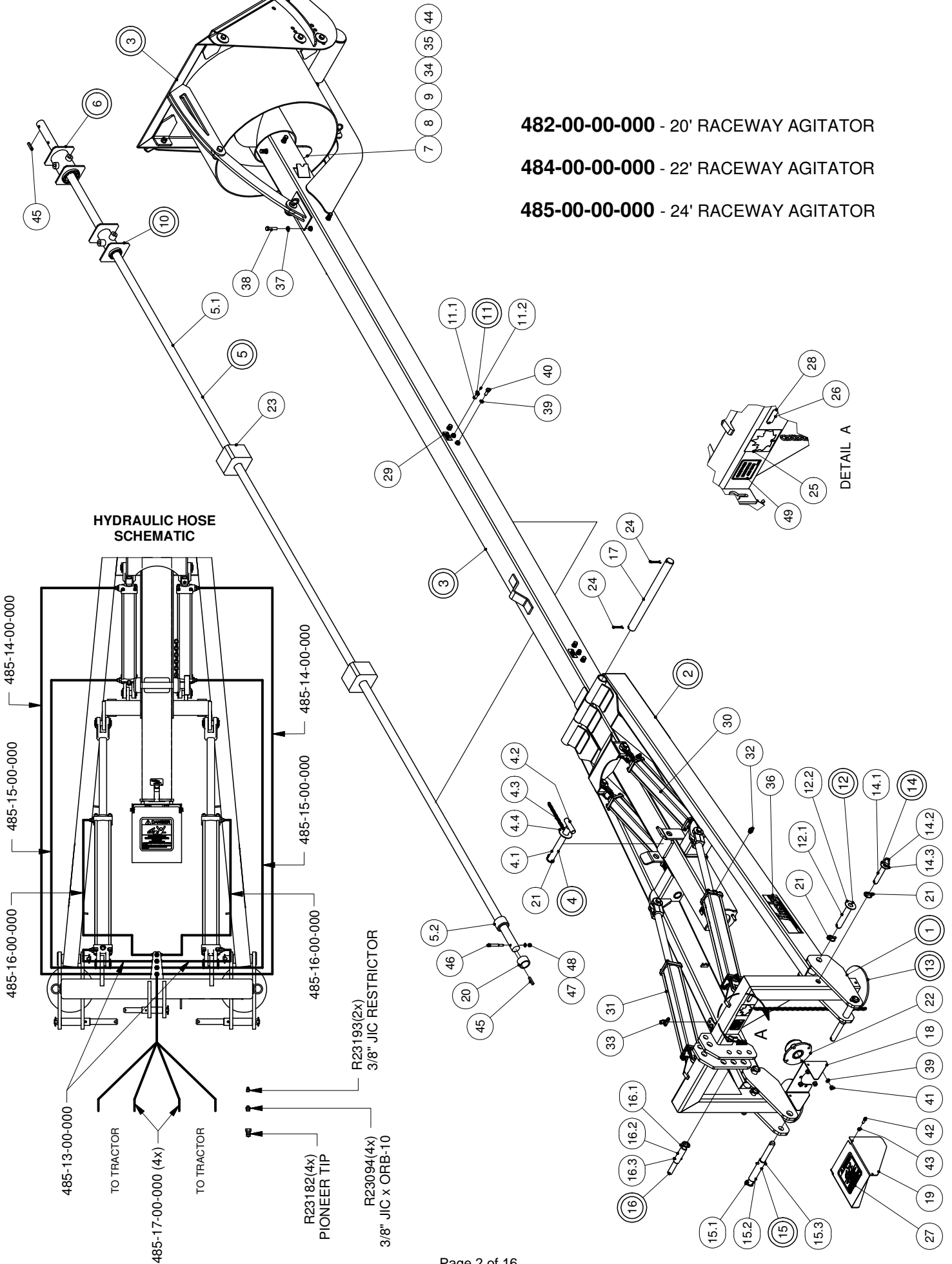
1. Do not leave propeller in manure pit – remove agitator from pit – wash off and coat with old oil or diesel fuel.
2. Grease top thrust bearing five to ten shots daily.
3. Grease the wood bearings five shots daily.
4. Grease the PTO knuckles daily and oil the slide tube.
5. Make sure when in use that the PTO knuckles are both taking equal amount of bend otherwise agitator might vibrate.
6. **EXTREME DANGER** – Never enter a dirty manure spreader or storage tank – one breath of hydrogen sulphide gas is enough to kill. Have a ladder in your pit, so that if by accident you should fall in, you can get out.

# RACEWAY AGITATOR COMPLETE

**482-00-00-000** - 20' RACEWAY AGITATOR

**484-00-00-000** - 22' RACEWAY AGITATOR

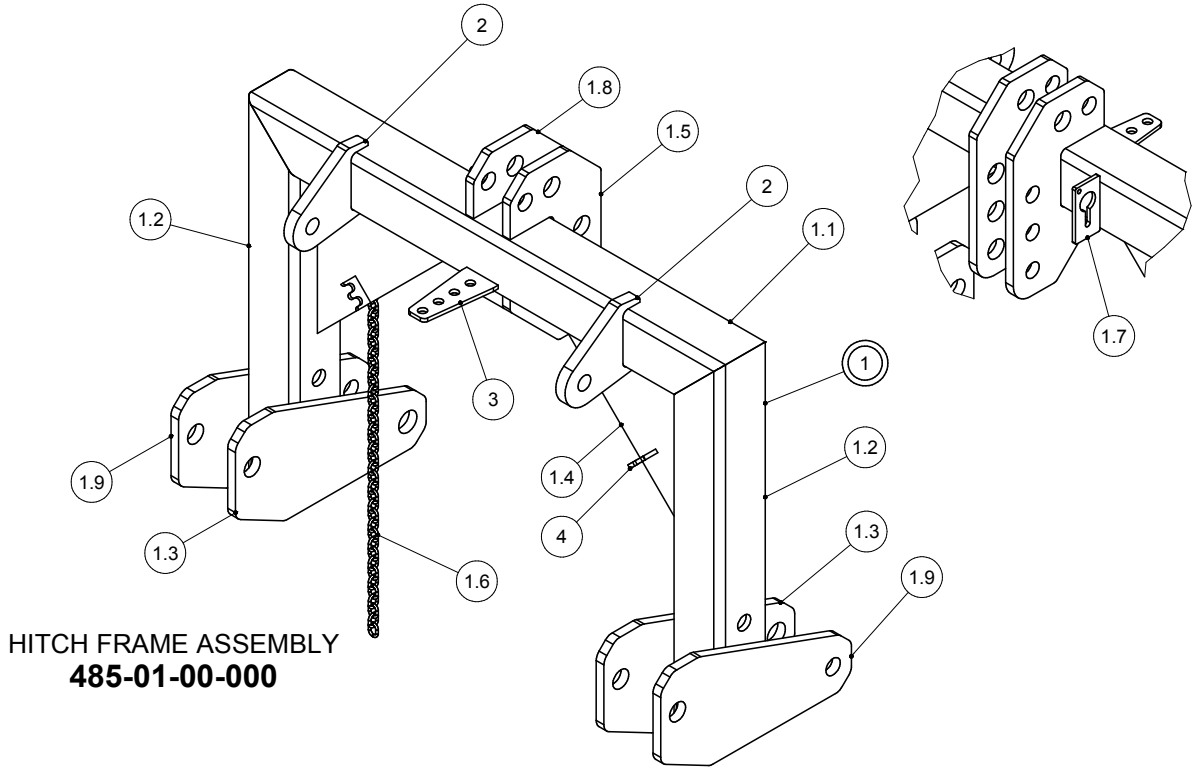
**485-00-00-000** - 24' RACEWAY AGITATOR



## RACEWAY AGITATOR COMPLETE

PARTS LIST				PARTS LIST			
ITEM	PART NUMBER	DESCRIPTION	QTY	ITEM	PART NUMBER	DESCRIPTION	QTY
1	485-01-00-000	HITCH FRAME ASSY	1	16	480-25-00-000	CAT 11 & 111 TOP LINK PIN KIT	1
2	485-02-00-000	CARRIAGE FRAME ASSY	1	16.1	R08041	1/4" LYNCH PIN	1
3	485-08-00-000	24' DRIVE SHAFT TUBE ASSY	1	16.2	480-25-00-094	CAT 11 & 111 TOP LINK PIN	1
	484-02-00-000	22' DRIVE SHAFT TUBE ASSY	1	16.3	R07942	1/4 x 2 ROLL PIN - BLK	1
	482-02-00-000	20' DRIVE SHAFT TUBE ASSY	1	17	485-00-00-021	PIVOT PIN	1
4	485-02-01-000	LOCK PIN & CHAIN ASSY	1	18	485-00-00-047	PTO GUARD BRKT	1
4.1	485-02-01-015	LOCK PIN	1	19	296-00-00-033	PTO GUARD	1
4.2	485-02-01-017	PIN HANDLE	1	20	280-00-00-052	SPACER PIPE	1
4.3	480-10-03-062	CHAIN	1	21	R08040	7/16" LYNCH PIN	5
4.4	R07830	1 1/4 FLAT WASHER STD - ZINC	1	22	R20206	1 3/4" THRUST BEARING	1
5	485-07-00-000	24' DRIVE SHAFT ASSY	1	23	R20235	5.58" SQ WOOD BEARING	2
	484-01-00-000	22' DRIVE SHAFT ASSY	1	24	R08016	1/4 x 2 COTTER PIN	2
	482-01-00-000	20' DRIVE SHAFT ASSY	1	25	R09509	"MADE IN CANADA" DECAL - LARGE	1
5.1	485-07-00-034	DRIVE SHAFT - 24 ft AGITATOR	1	26	R09071	SERIAL NUMBER PLATE	1
	484-01-00-001	DRIVE SHAFT - 22 ft AGITATOR	1	27	R09785	"DANGER ROTATING DRIVELINE"	1
	482-01-00-001	DRIVE SHAFT - 20 ft AGITATOR	1			DECAL	
5.2	280-05-00-031	THRUST BEARING BLOCK	1	28	R08152	#6 x 1/4" PAN HD SOCKET SCREW	2
6	244-13-00-000	2 3/4" MARINE BRG HOLDER COMPLETE	1	29	R09582	GREASE SYMBOL DECAL	3
				30	R23281	25TH16 HYD CYL-ORB	2
7	485-05-00-000	AUGER ASSY - STANDARD (RH)	1	31	R23294	30TH24 HYD CYL-ORB	2
8	485-04-00-000	AUGER HUB ASSY	1	32	R23091	ORB-8 X 3/8" JIC M ADAPTOR	8
9	485-19-00-000	REINFORCING HUB ASSY	1	33	R23222	3/8" JIC BULKHEAD TEE	4
10	242-22-00-000	1 3/4" MARINE BRG HOLDER COMPLETE	1	34	R08219	1/2-13 UNC NYLOCK NUT - ZINC	8
				35	R07639	1/2-13 UNC x 2 HEX BOLT GR.5	6
11	244-88-00-000	WOOD BEARING GREASE BOLT KIT	2	36	R09691	HUSKY DECAL 3.75" x 13"	2
11.1	244-88-00-451	WOOD BEARING GREASE BOLT	1	37	R08046	1/2-13 UNC HEX JAM NUT - ZINC	4
11.2	R08183	1/4" - 28 STRAIGHT GREASE FITTING	1	38	R08503	1/2-13 UNC x 2.25 HEX BOLT SS-FULL	4
12	480-08-00-000	PIVOT PIN ASSY	2			THD	
12.1	480-08-00-048	PIVOT PIN	1	39	R07805	1/2 LOCK WASHER - ZINC	8
12.2	R07828	1 FLAT WASHER STD - ZINC	1	40	R07674	1/2-13 UNC x 1.25 HEX BOLT GR.5	4
13	480-06-00-000	STAND ASSY	2	41	R07785	1/2-13 UNC HEX NUT - ZINC	4
14	480-15-00-000	LEG PIN ASSY	2	42	R07619	3/8-16 UNC x 1 HEX BOLT GR.5	2
14.1	480-15-00-068	LEG PIN	1	43	R07886	3/8-16 UNC 2-WAY LOCK NUT - ZINC	2
14.2	250-00-00-354	1/4 X 1 1/2" RING	1	44	R08459	1/2-13 UNC x 3.5 HEX BOLT SS	2
14.3	R07827	3/4 FLAT WASHER STD - ZINC	1	45	270-00-00-075	3/8" KEY - 51.00 mm LONG	2
15	480-24-00-000	CAT 11 & 111 HITCH PIN KIT	2	46	R07633	7/16-14 UNC x 3.5 HEX BOLT GR.5	1
15.1	R08040	7/16" LYNCH PIN	1	47	R07804	7/16 LOCK WASHER - ZINC	1
15.2	480-24-00-092	CAT 11 & 111 HITCH PIN	1	48	R07784	7/16-14 UNC HEX NUT - ZINC	1
15.3	R07990	3/8 x 2 1/2 ROLL PIN - BLK	1	49	R09521	MAXIMUM RPM DECAL	1

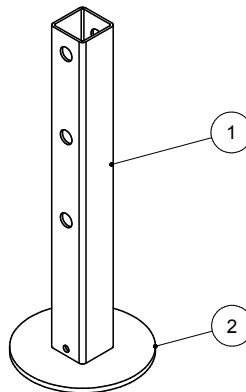
# RACEWAY AGITATOR HITCH FRAME ASSY



**HITCH FRAME ASSEMBLY  
485-01-00-000**

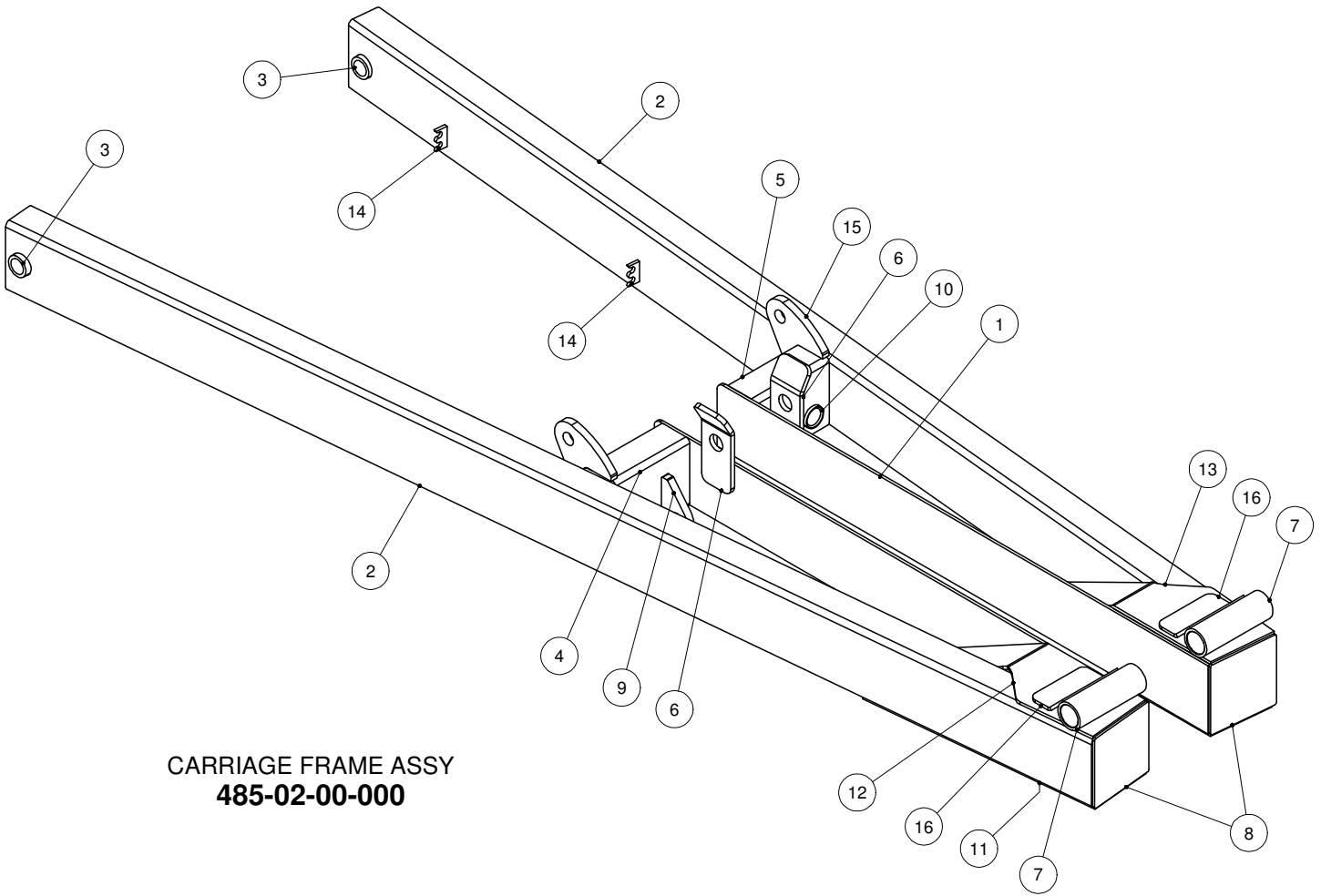
PARTS LIST				PARTS LIST			
ITEM	PART NUMBER	DESCRIPTION	QTY	ITEM	PART NUMBER	DESCRIPTION	QTY
1	480-01-00-000	HITCH FRAME ASSY	1	1.7	480-01-00-008	CHAIN BRKT	1
1.1	480-01-00-002	HITCH FRAME TOP PC	1	1.8	480-01-00-093	OUTER UPPER LINK CONN PLATE	1
1.2	480-01-00-001	HITCH FRAME SIDE	2	1.9	480-01-00-091	HITCH PLATE	2
1.3	480-01-00-005	HITCH PLATE	2	2	485-01-00-100	UPPER CYL BRKT	2
1.4	480-01-00-004	GUSSET	2	3	485-01-00-083	BULKHEAD PLATE - 4 HOLE	1
1.5	480-01-00-003	UPPER LINK CONN PLATE	1	4	490-03-00-190	2 SLOT HYD HOSE HOLDER-DB	2
1.6	480-01-00-044	PTO RETAINING CHAIN	1				

**STAND ASSEMBLY  
480-06-00-000  
(2 REQ'D)**



PARTS LIST			
ITEM	PART NUMBER	DESCRIPTION	QTY
1	480-06-00-045	STAND LEG	1
2	480-06-00-046	STAND FOOT	1

# CARRIAGE FRAME ASSY



**CARRIAGE FRAME ASSY  
485-02-00-000**

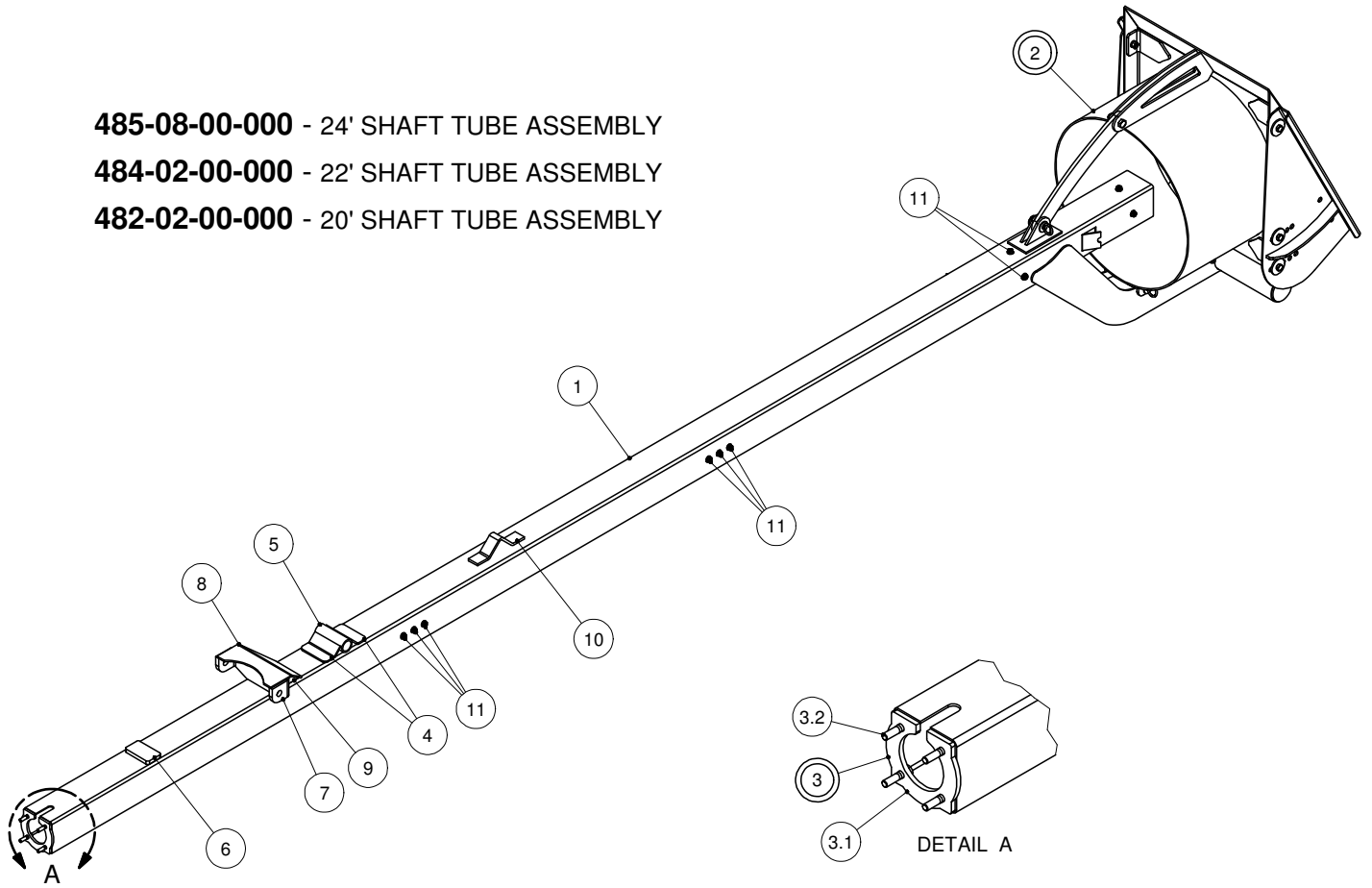
PARTS LIST			
ITEM	PART NUMBER	DESCRIPTION	QTY
1	485-02-00-003	CRADDLE	1
2	485-02-00-001	LIFT ARM	2
3	485-02-00-002	LIFT ARM BUSHING	2
4	485-02-00-055	LH SUPPORT TUBE w/ HOLE	1
5	485-02-00-004	RH SUPPORT TUBE w/ HOLE	1
6	485-02-00-005	HOLD DOWN BRKT	2
7	485-02-00-014	VERTICAL TUBE PIN SLEEVE	2
8	485-02-00-049	CAP	2
9	485-02-00-013	CYLINDER LUG	2
10	485-02-00-056	HOSE TUBE	2
11	485-02-00-007	LOWER GUSSET	1
12	485-02-00-006	UPPER GUSSET - LEFT	1
13	485-02-00-057	UPPER GUSSET - RIGHT	1
14	490-03-00-190	2 SLOT HYD HOSE HOLDER-DB	4
15	485-02-00-101	LOWER CYL LUG	2
16	485-08-00-041	PIVOT SLEEVE REINF. PLATE	2

# RACEWAY SHAFT TUBE ASSY

**485-08-00-000** - 24' SHAFT TUBE ASSEMBLY

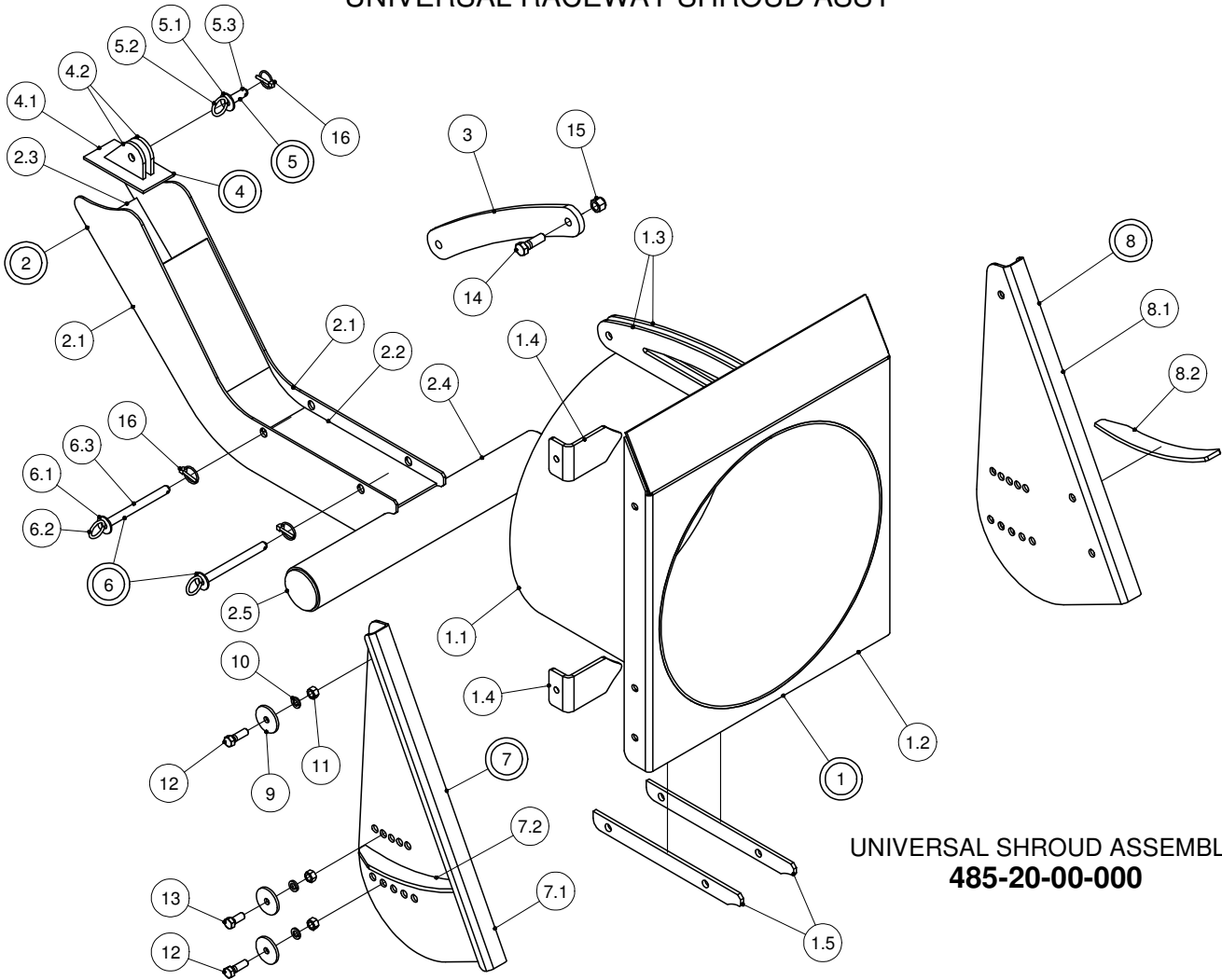
**484-02-00-000** - 22' SHAFT TUBE ASSEMBLY

**482-02-00-000** - 20' SHAFT TUBE ASSEMBLY



PARTS LIST			
ITEM	PART NUMBER	DESCRIPTION	QTY
1	485-08-00-035	24' DRIVE SHAFT TUBE	1
	484-02-00-002	22' DRIVE SHAFT TUBE	1
	482-02-00-002	20' DRIVE SHAFT TUBE	1
2	485-20-00-000	UNIVERSAL SHROUD ASSY	1
3	480-03-03-000	BEARING FLANGE ASSY	1
3.1	480-03-00-012	BEARING FLANGE	1
3.2	R07639	1/2-13 UNC x 2 HEX BOLT GR.5	4
4	485-08-00-041	PIVOT SLEEVE REINF. PLATE	2
5	485-08-00-036	PIVOT SLEEVE	1
6	485-08-00-040	SPACER PLATE	1
7	485-08-00-102	DOUBLE CYL LUG	1
8	485-08-00-103	DOUBLE CYL LUG CAP	1
9	485-08-00-104	DOUBLE CYL LUG GUSSET	2
10	300-01-00-012	TANK LIFT HOOK	1
11	R08304	1/2-13 UNC FLANGE NUT - SS	10

# UNIVERSAL RACEWAY SHROUD ASSY

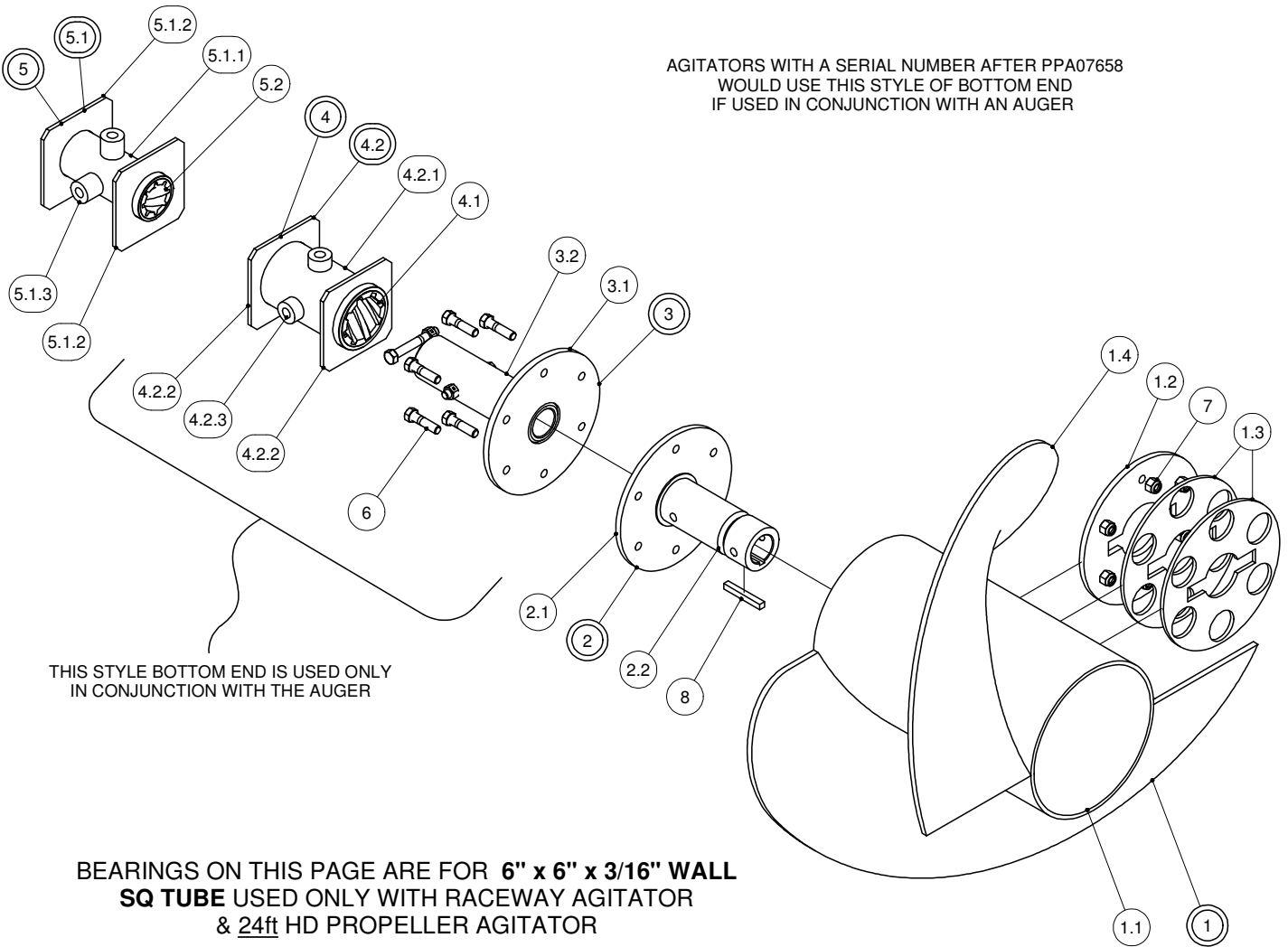


**UNIVERSAL SHROUD ASSEMBLY  
485-20-00-000**

PARTS LIST				PARTS LIST			
ITEM	PART NUMBER	DESCRIPTION	QTY	ITEM	PART NUMBER	DESCRIPTION	QTY
1	485-20-07-000	UNIVERSAL SHROUD ASSY	1	5.3	485-20-06-080	TOP LINK PIN	1
1.1	485-20-07-084	SHROUD	1	6	485-20-09-000	SHROUD PIN ASSY	2
1.2	485-20-07-085	SHROUD COVER PLATE	1	6.1	R07826	5/8 FLAT WASHER STD - ZINC	1
1.3	485-20-07-087	SHROUD SIDE PLATE	2	6.2	250-00-00-354	1/4 X 1 1/2" RING	1
1.4	485-20-07-089	SHROUD BOLT GUSSET	4	6.3	485-20-09-094	SHROUD PIN	1
1.5	485-20-07-086	SHROUD CLAMP PLATE	2	7	485-20-10-000	SHROUD WING ASSY-LH	1
2	485-20-08-000	ATTACHMENT FRAME ASSY	1	7.1	485-20-10-095	SHROUD SIDE PLATE - LH	1
2.1	485-20-08-090	FOOT SIDE PLATE	2	7.2	485-20-10-097	SIDE REINFORCING GUSSET	1
2.2	485-20-08-091	FOOT TOP PLATE	1	8	485-20-11-000	SHROUD WING ASSY-RH	1
2.3	485-20-08-092	FOOT BOTTOM PLATE	1	8.1	485-20-11-096	SHROUD ADJUSTMENT SIDE RH	1
2.4	485-20-08-093	ROUND FOOT TUBE	1	8.2	485-20-11-098	RH REINFORCING GUSSET	1
2.5	485-20-08-088	ROUND FOOT TUBE CAP	2	9	485-20-00-099	CLAMP WASHER	6
3	485-20-00-068	TOP CONNECTOR BAR	1	10	R07806	5/8 LOCK WASHER - ZINC	6
4	485-20-03-000	TOP CONN BRKT ASSY	1	11	R07786	5/8-11 UNC HEX NUT - ZINC	6
4.1	485-08-00-038	TOP BRACE PLATE	1	12	R07647	5/8-11 UNC x 2 HEX BOLT GR.5	4
4.2	485-20-03-077	SIDE PLATE	2	13	R07646	5/8-11 UNC x 1.5 HEX BOLT GR.5	2
5	485-20-06-000	TOP LINK PIN ASSY	1	14	R07655	3/4-10 UNC x 2.5 HEX BOLT GR.5	1
5.1	R07826	5/8 FLAT WASHER STD - ZINC	1	15	R07878	3/4-10 UNC NYLOCK NUT - ZINC	1
5.2	250-00-00-354	1/4 X 1 1/2" RING	1	16	R08041	1/4" LYNCH PIN	3

## BOTTOM END DETAIL 485 - AFTER 2007

AGITATORS WITH A SERIAL NUMBER AFTER PPA07658  
WOULD USE THIS STYLE OF BOTTOM END  
IF USED IN CONJUNCTION WITH AN AUGER



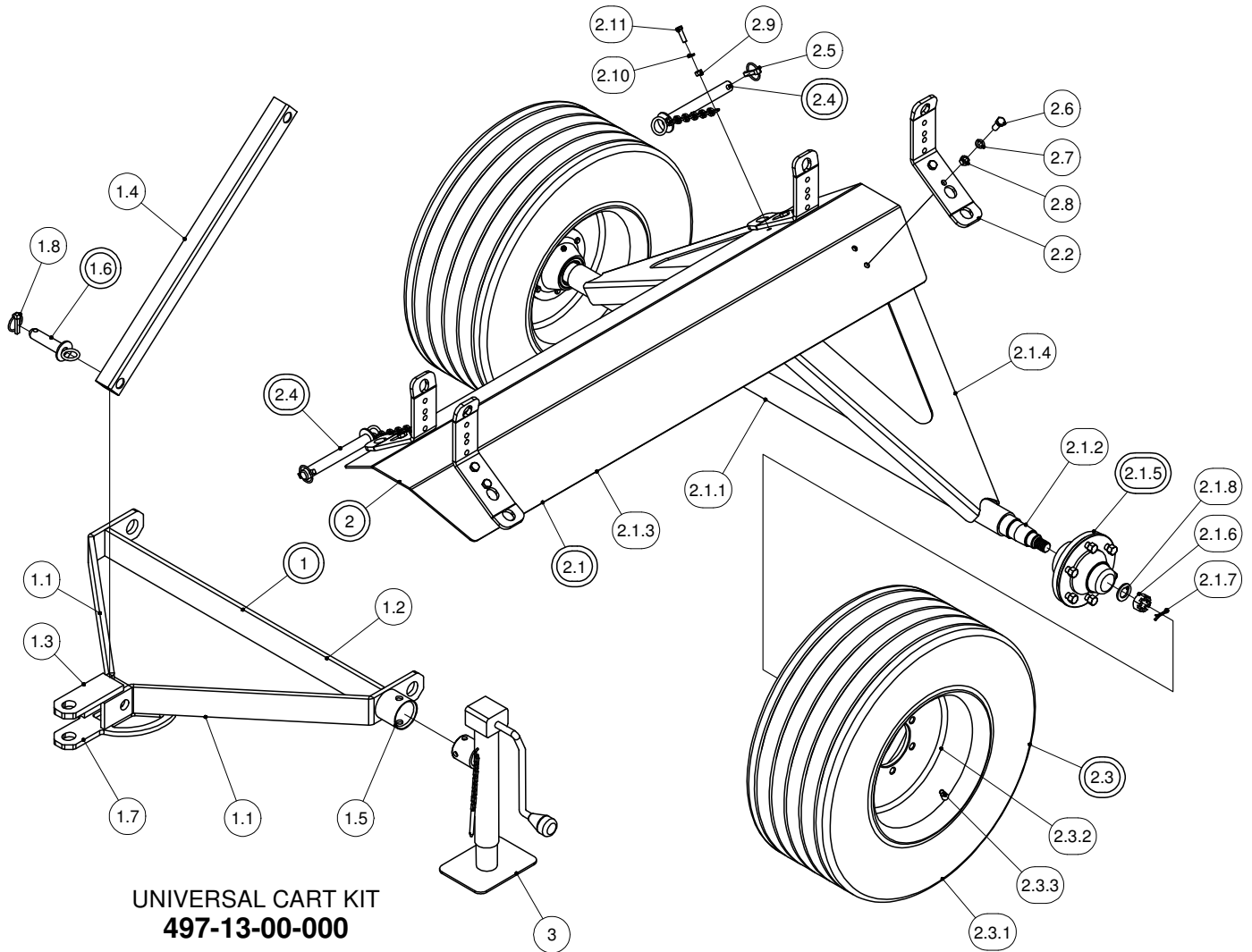
THIS STYLE BOTTOM END IS USED ONLY  
IN CONJUNCTION WITH THE AUGER

BEARINGS ON THIS PAGE ARE FOR **6" x 6" x 3/16" WALL  
SQ TUBE** USED ONLY WITH RACEWAY AGITATOR  
& 24ft HD PROPELLER AGITATOR

PARTS LIST				PARTS LIST			
ITEM	PART NUMBER	DESCRIPTION	QTY	ITEM	PART NUMBER	DESCRIPTION	QTY
1	485-05-00-000	AUGER ASSY - STANDARD (RH)	1	4.2.1	244-13-01-320	HOLDER TUBE	1
1.1	485-05-00-024	AUGER TUBE	1	4.2.2	244-13-01-321	BEARING HOLDER PLATE	2
1.2	485-05-00-025	END FLANGE	1	4.2.3	244-13-01-322	SET SCREW SEAT	2
1.3	485-05-00-026	MIDDLE FLANGE	2	5	242-22-00-000	1 3/4" MARINE BRG HOLDER COMPLETE	1
1.4	485-05-00-027	AUGER FLITE - STANDARD (RH)	2	5.1	242-22-27-000	MARINE BEARING HOLDER ASSY	1
2	485-04-00-000	AUGER HUB ASSY	1	5.1.1	250-76-34-180	URETHANE BRG SLEEVE	1
2.1	485-04-00-023	HUB FLANGE	1	5.1.2	242-22-27-235	BEARING HOLDING PLATE	2
2.2	485-04-00-022	AUGER HUB	1	5.1.3	242-22-27-236	SET SCREW SLEEVE	2
3	485-19-00-000	REINFORCING HUB ASSY	1	5.2	R20280	URETHANE	1
3.1	485-04-00-023	HUB FLANGE	1	6	R07639	1/2-13 UNC x 2 HEX BOLT GR.5	6
3.2	485-19-00-067	REINFORCING HUB	1	7	R08219	1/2-13 UNC NYLOCK NUT - ZINC	6
4	244-13-00-000	2 3/4" MARINE BRG HOLDER COMPLETE	1	8	480-00-00-075	3/8 x 75mm KEY	1
4.1	R20224	H5000 2 3/4" URETHANE FOR BRG	1	10	R07885	1/2-13 UNC 2-WAY LOCK NUT - ZINC	2
4.2	244-13-01-000	2 3/4" MARINE BEARING HOLDER	1	16	R07642	1/2-13 UNC x 3.5 HEX BOLT GR.5	2



# UNIVERSAL CART KIT

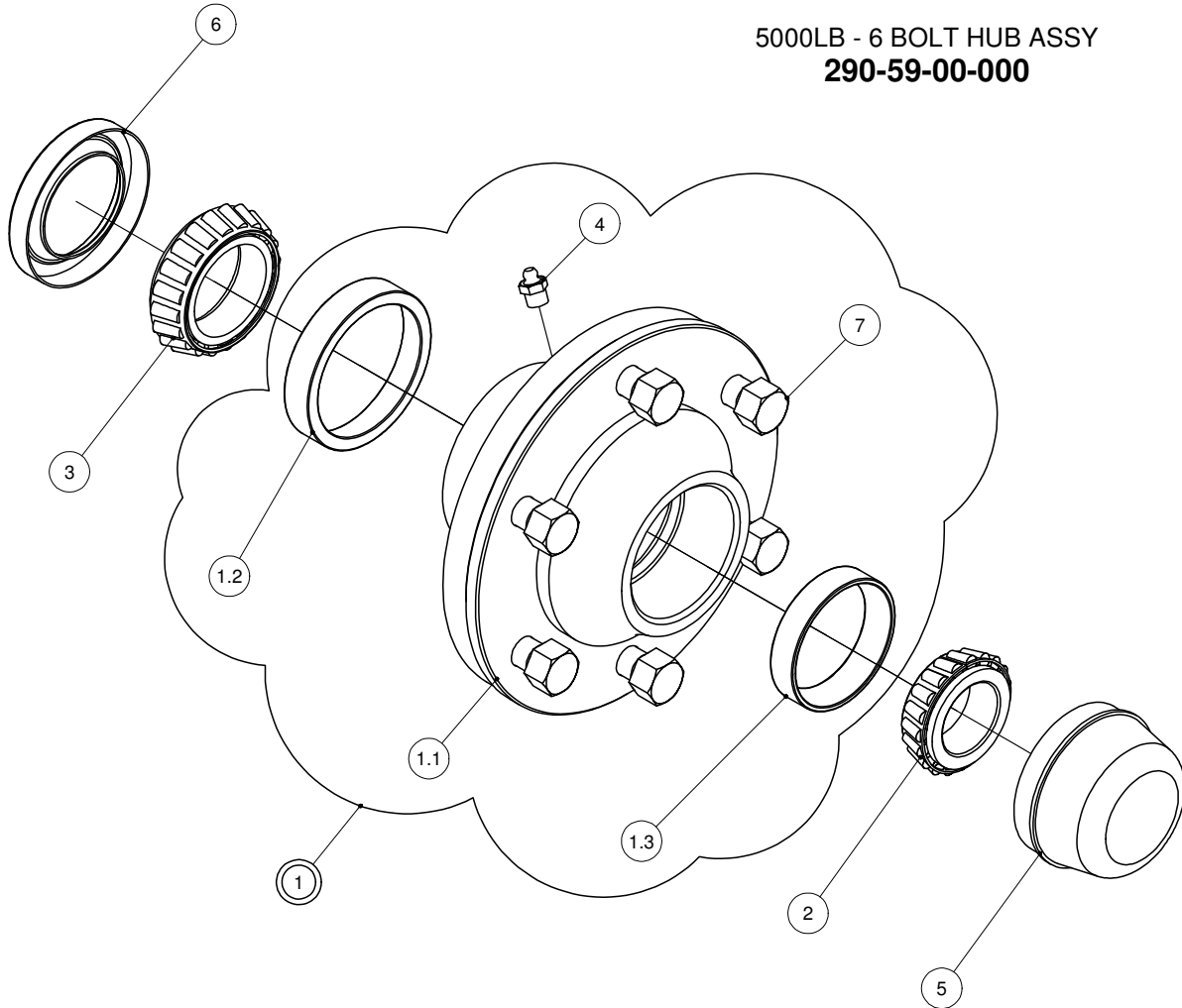


**UNIVERSAL CART KIT  
497-13-00-000**

PARTS LIST				PARTS LIST			
ITEM	PART NUMBER	DESCRIPTION	QTY	ITEM	PART NUMBER	DESCRIPTION	QTY
1	497-13-01-000	TOW FRAME ASSY	1	2.1.7	R08015	3/16 x 2 COTTER PIN	2
1.1	497-13-01-035	TOW FRAME BAR	2	2.1.8	R20154	SPINDLE WASHER	2
1.2	497-13-01-036	TOW REINFORCING BAR	1	2.2	480-32-00-112	UNIVERSAL CLAMP BRKT	4
1.3	497-13-01-037	TOW HITCH PLATE	1	2.3	247-07-00-000	TIRE & WHEEL ASSY P275/60R15	2
1.4	497-13-01-040	TOW FRAME BAR	1	2.3.1	R22560	P275 60R15 PASSENGER TIRE	1
1.5	364-35-00-245	TONGUE JACK BRKT	1	2.3.2	R20045	15 x 8 x 6 BOLT WHEEL	1
1.6	200-42-00-000	STABILIZER BAR PIN ASSY-LONG	1	2.3.3	R20020	VALVE STEM	1
1.7	497-13-01-038	TOW HITCH LOWER PLATE	1	2.4	480-10-03-000	PIN & CHAIN ASSY	2
1.8	R08040	7/16" LYNCH PIN	1	2.5	R08040	7/16" LYNCH PIN	2
2	480-32-02-000	AGITATOR CART KIT LESS TOW PKG	1	2.6	R08217	1/2 x 1 1/4 SS UNC HEX BOLT	8
2.1	480-32-01-000	AGITATOR FRAME ASSY	1	2.7	R08414	1/2" SS LOCK WASHER	8
2.1.1	480-10-01-054	TRAILER CROSS TUBE	1	2.8	R08235	1/2-13 SS UNC HEX NUT	8
2.1.2	247-01-01-033	SPINDLE	2	2.9	R08440	3/8-16 SS UNC HEX NUT	2
2.1.3	480-32-01-110	AGITATOR CART BASE PLATE	1	2.10	R08319	3/8" SS LOCK WASHER	2
2.1.4	480-32-01-111	AGITATOR CART "V" FRAME	2	2.11	R08410	3/8 x 1 1/4 SS UNC HEX BOLT	2
2.1.5	290-59-00-000	5000LB - 6 BOLT HUB ASSY	2	3	R09751	7000LB SIDE WIND JACK	1
2.1.6	R20117	SPINDLE NUT	2				

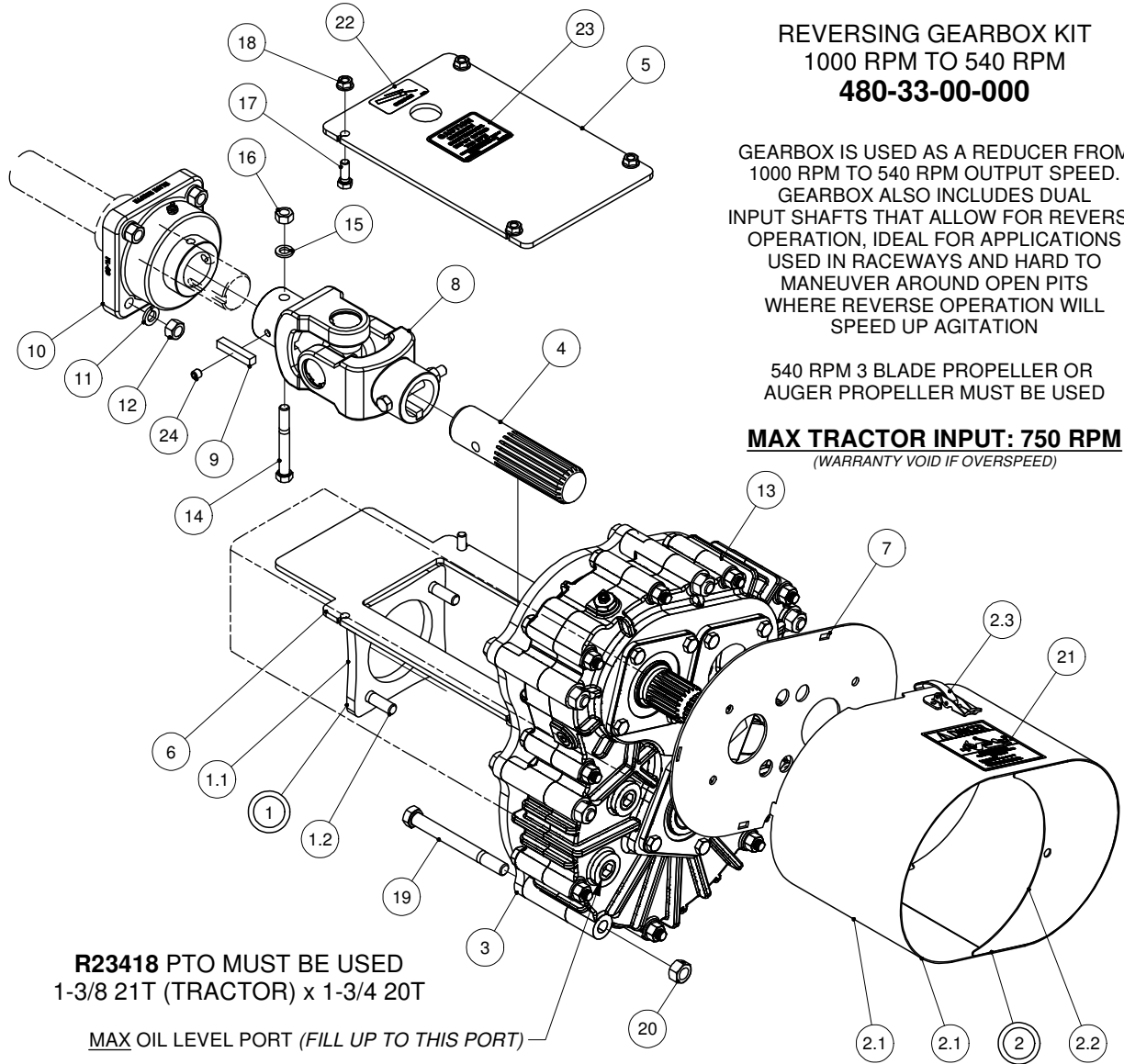
# 5000LB 6 BOLT HUB ASSY

5000LB - 6 BOLT HUB ASSY  
**290-59-00-000**



PARTS LIST			
ITEM	PART NUMBER	DESCRIPTION	QTY
1	R22055	5000LB HUB w/ CUPS	1
1.1	R22054	5000LB HUB - 6 BOLT	1
1.2	R22058	INNER CUP LM603011	1
1.3	R22060	OUTER CUP LM48510	1
2	R22061	OUTER CONE LM48548	1
3	R22059	INNER CONE LM603049	1
4	R08186	1/8" NPT GREASE FTG	1
5	R22062	DUST CAP	1
6	R22063	SEAL CR2004	1
7	R20110	9/16 UNF WHEEL BOLT	6

# REVERSING GEARBOX KIT



## REVERSING GEARBOX KIT 1000 RPM TO 540 RPM 480-33-00-000

GEARBOX IS USED AS A REDUCER FROM 1000 RPM TO 540 RPM OUTPUT SPEED. GEARBOX ALSO INCLUDES DUAL INPUT SHAFTS THAT ALLOW FOR REVERSE OPERATION, IDEAL FOR APPLICATIONS USED IN RACEWAYS AND HARD TO MANEUVER AROUND OPEN PITS WHERE REVERSE OPERATION WILL SPEED UP AGITATION

540 RPM 3 BLADE PROPELLER OR AUGER PROPELLER MUST BE USED

**MAX TRACTOR INPUT: 750 RPM**  
(WARRANTY VOID IF OVERSPEED)

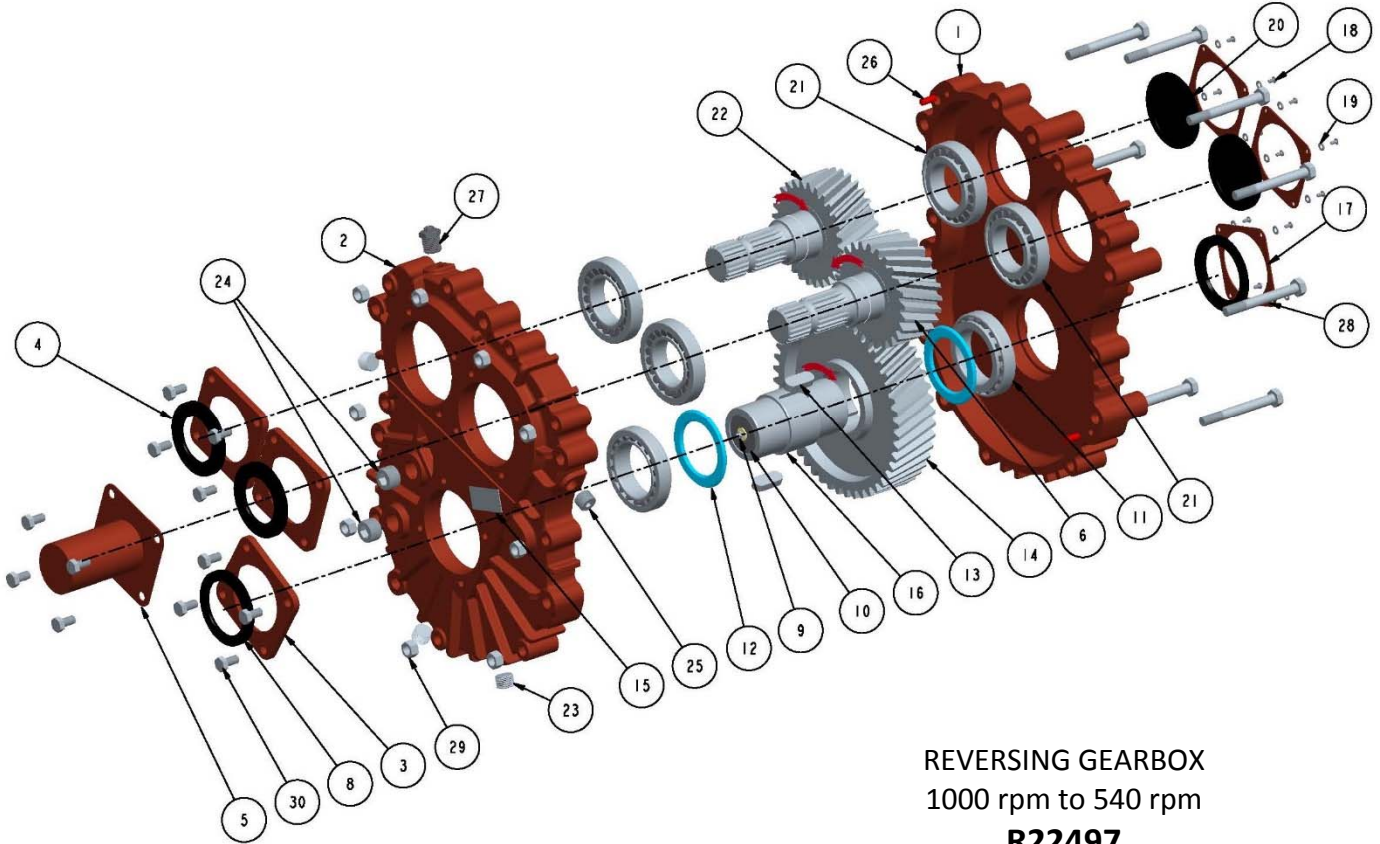
**R23418 PTO MUST BE USED**  
1-3/8 21T (TRACTOR) x 1-3/4 20T

MAX OIL LEVEL PORT (FILL UP TO THIS PORT)

USE R04433 - SYNTHETIC GEAR OIL ISO VG 320 EP (AGMA# 6 EP) - 34oz/1L

PARTS LIST				PARTS LIST			
ITEM	PART NUMBER	DESCRIPTION	QTY	ITEM	PART NUMBER	DESCRIPTION	QTY
1	480-33-01-000	BRG BOLT PLATE ASSY	1	11	R07805	1/2 LOCK WASHER - ZINC	4
1.1	480-33-01-114	BRG BOLT PLATE	1	12	R07785	1/2-13 UNC HEX NUT - ZINC	4
1.2	R07639	1/2-13 UNC x 2 HEX BOLT GR.5	4	13	R22497	REVERSING GEARBOX 1000 to 540rpm	1
2	480-33-02-000	PTO GUARD ASSY	1	14	R07633	7/16-14 UNC x 3.5 HEX BOLT GR.5	2
2.1	480-33-02-119	PTO SHIELD	1	15	R07804	7/16 LOCK WASHER - ZINC	2
2.2	480-33-02-120	SHIELD CAP	1	16	R07784	7/16-14 UNC HEX NUT - ZINC	2
2.3	R10513	DRAW LATCH - 3 5/8" LONG	2	17	R07619	3/8-16 UNC x 1 HEX BOLT GR.5	4
3	480-33-00-113	REVERSING GEARBOX FLANGE	1	18	R07794	3/8-16 UNC FLANGE NUT - ZINC	4
4	480-33-00-115	STUB SHAFT 1-3/4 Z20	1	19	R07609	9/16-12 UNC x 5.5 HEX BOLT GR.5	6
5	480-33-00-116	TUBE INSPECTION COVER	1	20	R08049	9/16-12 UNC 2-WAY LOCK NUT - ZINC	6
6	480-33-00-117	TUBE INSPECTION BASE PLATE	1	21	R21521	"ROTATING DRIVE LINE" DECAL	2
7	480-33-00-118	PTO GUARD MOUNT PLATE	1	22	R09582	GREASE SYMBOL DECAL	1
8	270-32-00-000	KNUCKLE ASSY	1	23	R09799	MAX 750 RPM INPUT DECAL	1
9	270-00-00-075	3/8" KEY - 51.00 mm LONG	2	24	R07909	3/8-16 UNC x 0.38 SET SCREW - ZINC	2
10	R20205	1 3/4" SQ FLANGE BEARING	1				

## REVERSING GEARBOX – 1000 to 540 rpm



### REVERSING GEARBOX 1000 rpm to 540 rpm **R22497**

ITEM	PART #	DESCRIPTION	QTY
1		LOWER HOUSING 1.84:1	1
2		UPPER HOUSING 1.84:1	1
3		HOLLOW COVER	3
4	R22667	SEAL – 55 x 90 x 8	2
5		PROTECTIVE GUARD	1
6		MIDDLE GEAR SHAFT – 1 3/4z20 1.84:1	1
7		SHIMS – $\phi 90 \times \phi 99.8$	
8	R22666	SEAL – 65 x 90 x 8	2
9		GREASE FITTING – M6 x 1.0	1
10		END CAP – 47 x 8	1
11		BEARING – 32013	2
12		SPACER – 65 x 94 x 5	2
13		ROUND END KEY – 16 x 10 x 40	2
14		OUTPUT GEAR 1.84:1	1
15		NAME PLATE	1
16		OUTPUT SHAFT – 1 3/4z20 1.84:1	1
17		SEAL RETAINER w/ HOLE	3
18		BUTTON HEAD SCREW – M4x0.7x8mm	12
19		WASHER – M4	12
20		END CAP – 90 x 8	2
21		BEARING - 30211	4
22		INPUT GEAR SHAFT – 1 3/4z20 1.84:1	1
23		MAGNETIC PLUG - ½ NPT	1
24		PLUG - ¾ NPT	2
25		PLUG - ½ NPT	3
26		DOWEL PIN – 8 x 20	2
27		PRESSURE VENT 5 PSI – ½ NPT	1
28		BOLT – M12-1.75 x 105mm LONG	9
29		NUT – M12-1.75	9
30		BOLT – M10-1.5 x 20mm LONG	12

**USE R04433 - ISO VG 320 EP SYNTHETIC  
GEAR OIL (AGMA# 6 EP) 34oz/1 L**

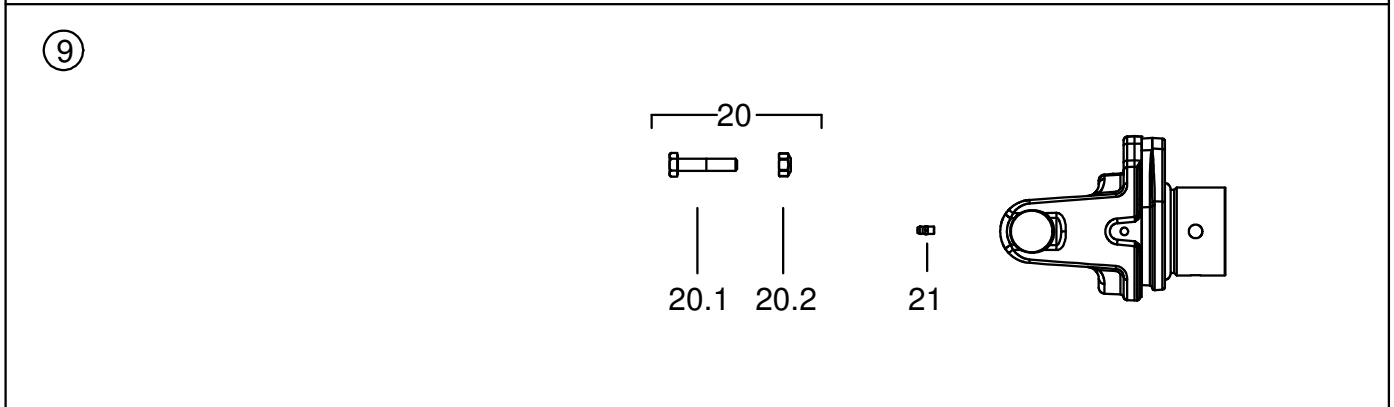
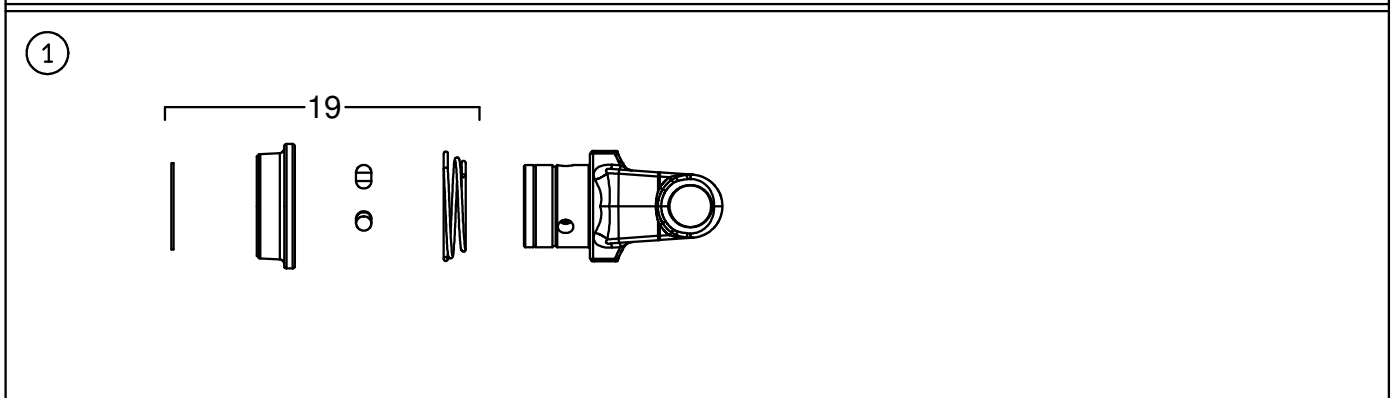
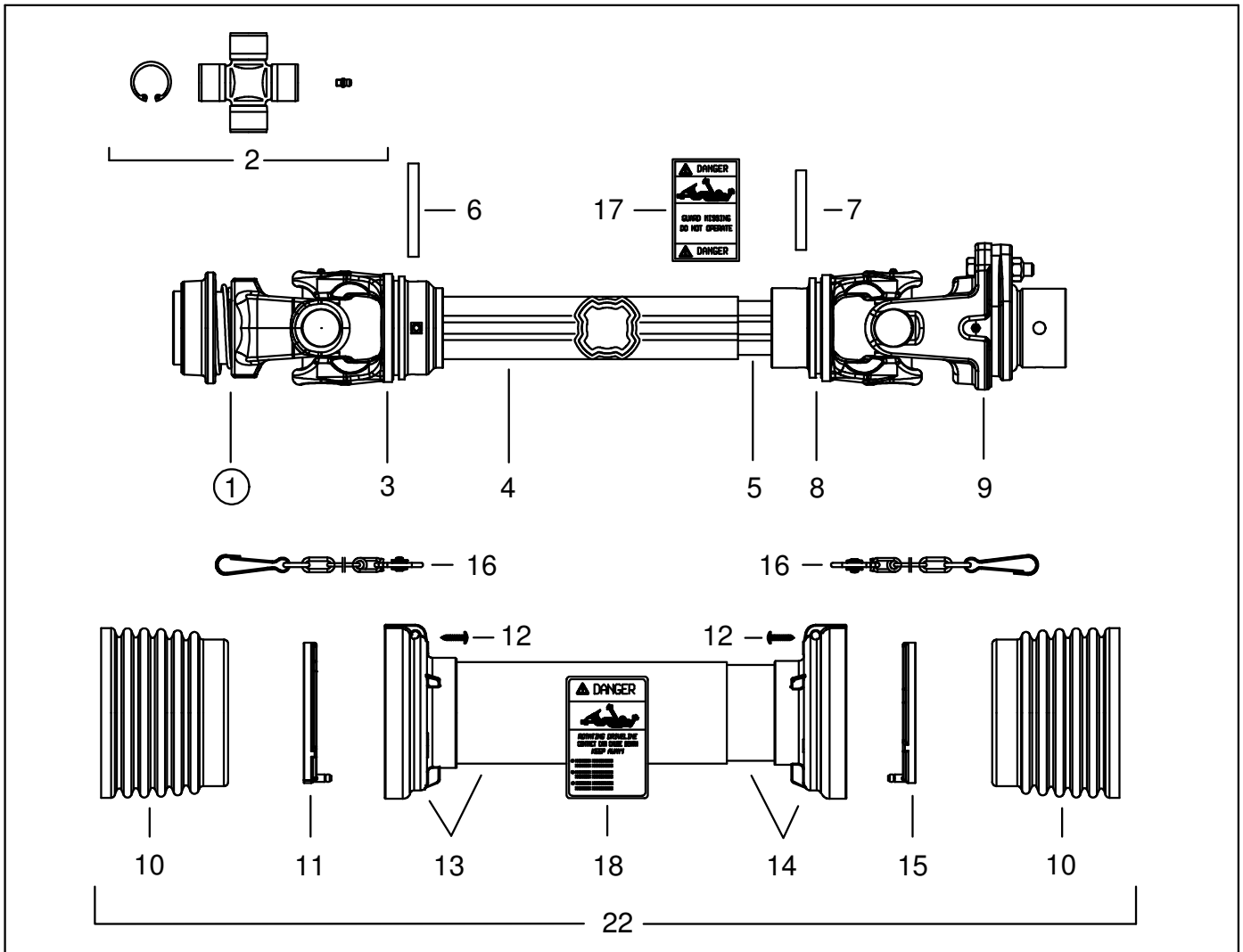
TECHNICAL INFORMATION – 2 GEARS	
Ratio	1.84:1
Input Speed	1000 RPM
Continuous input power/1000 hours	225 HP
Continuous output torque/1000 hours	26 000 in-lb
Maximum output torque (peak)	62 600 in-lb

TECHNICAL INFORMATION – 3 GEARS	
Ratio	1.84:1
Input Speed	1000 RPM
Continuous input power/1000 hours	175 HP
Continuous output torque/1000 hours	20 300 in-lb
Maximum output torque (peak)	48 800 in-lb

LUBRICATION	
Oil quantity	34oz/1 Liter
Oil Type	VG320 EP Synthetic
First oil change: after 50 hours of operation. Other upcoming oil changes: after each 1000 hours of operation or at least once per year. DO NOT mix or substitute different oil types	

This Page is Intentionally Left Blank

PROPELLER AGITATOR PTO - 4 LOBE



## PROPELLER AGITATOR PTO - 4 LOBE

**R22200** - 1 3/8" 6 TOOTH - 540 RPM (STANDARD)

**R22201** - 1 3/8" 21 TOOTH - 1000 RPM

**R22202** - 1 3/4" 20 TOOTH - 1000 RPM

PARTS LIST				
ITEM	MFG NUMBER	PART NUMBER	DESCRIPTION	QTY
1	5720L0356	R23396	1 3/8 - 6 T QD YOKE & COLLAR 540 rpm	1
	5720L3757	R23397	1 3/8 - 21 T QD YOKE & COLLAR 1000 rpm	1
	5720L3859	R23398	1 3/4 - 20 T QD YOKE & COLLAR 1000 rpm	1
2	4120L0012R24	R22454	#8 CROSS KIT - 34.9x93.5	2
3	2040L6869	R23400	#8 OUTER 4 LOBE TUBE YOKE	1
4	341046000R10	R23401	FLEXIBLE ROLL PIN 10x85mm	1
5	2253Z0835	R23402	#8 OUTER DRIVE TUBE L-835	1
6	2253V0855	R23403	#8 INNER DRIVE TUBE L-855	1
7	341042000R10	R23404	FLEXIBLE ROLL PIN 10x75mm	1
8	2040L6865	R23405	#8 INNER 4 LOBE TUBE YOKE	1
9	6060L8801R	R23407	1 3/4" RD HOLE SHEAR YOKE & COLLAR	1
10	2190L0201	R23408	#8 CONE BELL 160x120x100	2
11	2550G0001R02	R23409	#8 SHIELD SUPPORT - OUTER	1
12	310001431R30	R23394	SCREW - SELF TAP 4.8x22mm	6
13	5TNN1H8101U	R23410	#8 TUBE & CONE SHIELD - OUTER	1
14	5MNN1H8101U	R23411	#8 TUBE & CONE SHIELD - INNER	1
15	2550G0002R02	R23412	#8 SHIELD SUPPORT - INNER	1
16	252000101R02	R21738	SHIELD TIE CHAIN	2
17	399143000	R21523	"SHIELD MISSING" DECAL	1
18	399141000	R21521	ROTATING DRIVELINE DECAL	1
19	435000332R	R23413	1 3/8" BALL COLLAR KIT #8	1
	435000425R	R23414	1 3/4" BALL COLLAR KIT #8	1
20	-	480-31-00-000	SHEAR BOLT 5-PACK	1
20.1	-	R21639	M12-1.75 x55 HEX BOLT GR 8.8 (NOT FOR INDIVIDUAL SALE)	1
20.2	-	R21604	M12-1.75 NYLOCK NUT (NOT FOR INDIVIDUAL SALE)	1
21	348017000R20	R21687	GREASE NIPPLE M6x1 STRAIGHT	1
22	5CH8101U2SS	R23416	COMPLETE SHIELD KIT	1

## **GUARANTEE**

All Husky Farm Equipment manufactured by Husky Farm Equipment Limited is guaranteed. Guarantee covers all the replacement cost or repair of all parts said to be defective from manufacture. Guarantee also covers labour installing said parts, if installed at Husky Manufacturing plant. Time and use is the essence of the guarantee. If equipment is used on a private property for an individual's use, guarantee will be in effect for twelve months from date of invoice. If equipment is used for commercial use to do custom work for money then guarantee will be in effect for three months only from date of invoice.

## **EXEMPTIONS FROM GUARANTEE**

Cost of transportation of equipment to or from Husky Farm Equipment Limited either by customer or by Husky's service staff or cost of mail or public transportation is not covered. Tires and electric or hydraulic motors are covered by manufacturer's warranty and although Husky may assist to get warranty, Husky will not be responsible other than that allowed by manufacturer's warranty. Items subject to normal wear from use not covered by guarantee if faulty part is simply worn.