

Office Copy
Dec 4/95
7# made
Mar 15/96 10 made
May 1/96 - 5 "
June 19 - 10 "
July 24 - 10 "

Date Purchased _____ Machine Serial No. _____

Size of Pump _____ Options _____

PLEASE NOTE:

The key number system in this parts book is arranged as follows:

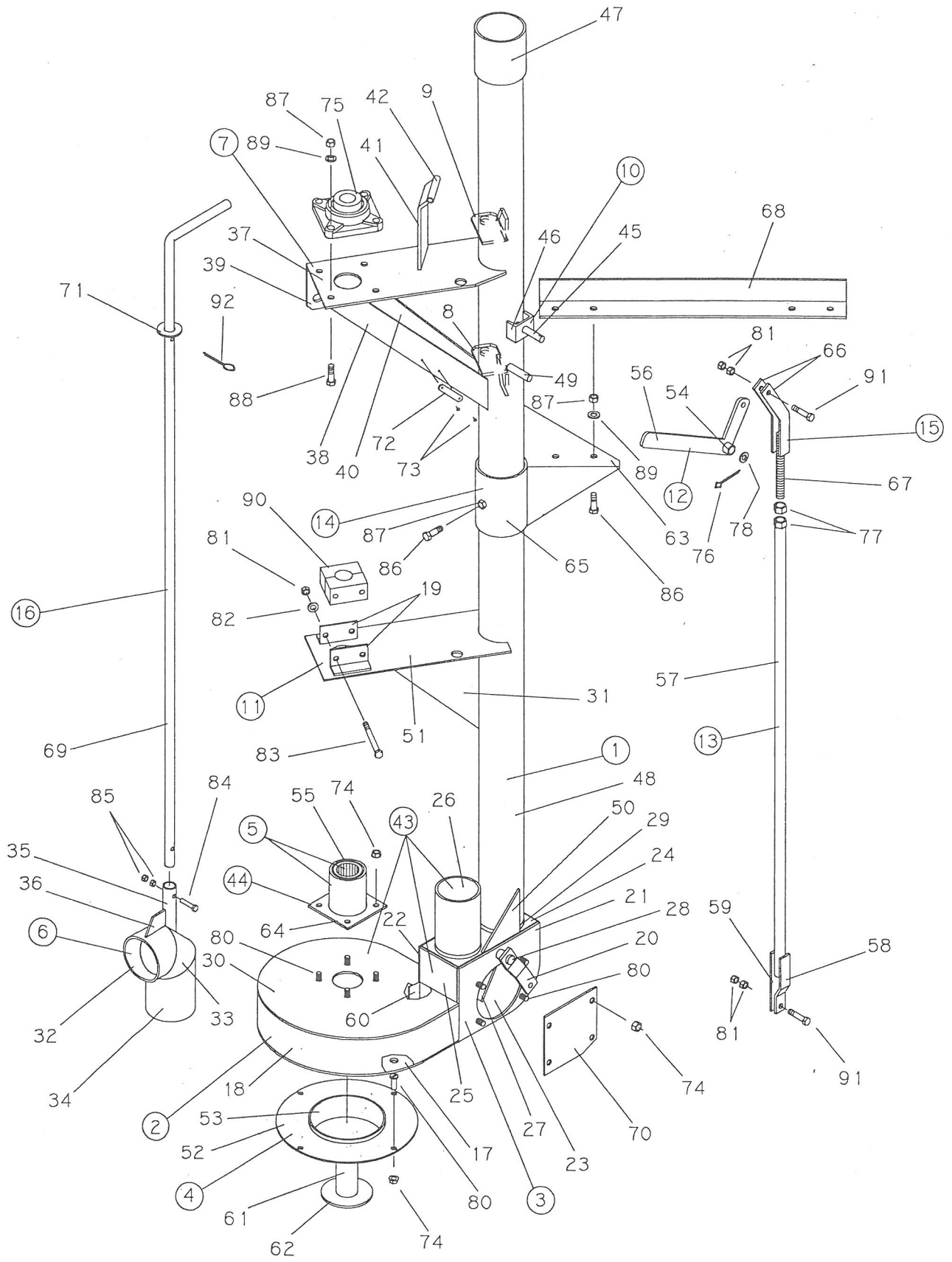
- 0 -- Key number with one circle denotes main assemblies
- Key Numbers not circled are individual parts.

Please order parts by number

3" ELECTRIC
HUSKY LIQUID MANURE PUMP

OPERATING INSTRUCTIONS:

1. Pump must turn counter-clockwise when looking down from top.
2. Fasten pump solid so it will not move when operating.
3. Make sure all moving parts are shielded.
4. Keep children and livestock away from pump.
5. Have an Electrician check amp draw when operating to make sure the motor has enough electricity.
6. Check bottom bearing for wear occasionally.
7. Keep belts snug but not overly tight.
8. EXTREME DANGER - Never enter a dirty manure spreader or storage tank - one breath of hydrogen sulphide gas is enough to kill.



MAIN FRAME

<u>Keys</u>	<u>Parts Number</u>	<u>Description</u>	<u>Qty</u>
1	230-01-00-000	Pump Housing & Standpipe Assy 4 Ft.	1
	232-01-00-000	Pump Housing & Standpipe Assy 5 Ft.	1
	234-01-00-000	Pump Housing & Standpipe Assy 6 Ft.	1
	236-01-00-000	Pump Housing & Standpipe Assy 8 Ft.	1
	238-01-00-000	Pump Housing & Standpipe Assy 10 Ft.	1
	239-01-00-000	Pump Housing & Standpipe Assy 12 Ft.	1
2	230-34-00-000	Fan Housing Assy.	1
3	230-01-02-000	Change Box Assy.	1
4	230-21-00-000	Cover Plate Assy.	1
5	230-33-00-000	Brg & Holder Assy.	1
6	230-24-00-000	Agitating Elbow Assy.	1
7	230-01-04-000	Upper Brg Plate Assy.	1
8	230-01-00-138	Upper Motor Mount Bracket	1
9	230-01-00-139	Lower Motor Mount Bracket	1
10	230-01-07-000	Pivot Pin Assy.	1
11	234-01-08-000	Intermediate Brg Plate Assy.	1
12	230-04-00-000	Agitator Handle Assy.	1
13	230-05-00-000	Control Rod Assy. 4 Ft.	1
	232-05-00-000	Control Rod Assy. 5 Ft.	1
	234-05-00-000	Control Rod Assy. 6 Ft.	1
	236-05-00-000	Control Rod Assy 8 Ft.	1
	238-05-00-000	Control Rod Assy 10 Ft.	1
	239-05-00-000	Control Rod Assy 12 Ft.	1
14	230-11-00-000	Floor Brkt Assy.	1
15	230-13-00-000	Over Centre Arm Assy.	1
16	230-25-00-000	Agitator Turn Lever Assy. 4 Ft.	1
	232-26-00-000	Agitator Turn Lever Assy. 5 Ft.	1
	234-27-00-000	Agitator Turn Lever Assy. 6 Ft.	1
	236-28-00-000	Agitator Turn Lever Assy. 8 Ft.	1
	238-29-00-000	Agitator Turn Lever Assy. 10 Ft.	1
	239-30-00-000	Agitator Turn Lever Assy. 12 Ft.	1
17	230-22-00-106	Fan Housing Bottom Plate	1
18	230-01-01-003	Housing Band	1
19	234-00-00-144	Brg Holder	2*
20	230-01-02-005	Flapper Arm	1
21	230-01-02-006	Inspection Side Plate	1
22	230-01-02-007	Side Plate	1
23	230-01-02-008	Change Box Band	1
24	230-01-02-009	Top Plate	1
25	230-01-02-010	End Plate	1
26	230-01-02-118	Flapper Seat - Long	1
27	230-01-02-012	Flapper	1
28	230-01-02-013	Flapper Shaft	1
29	230-01-02-011	Flapper Seat - Short	1
30	230-34-00-130	Fan Housing Top Plate	1
31	234-01-08-116	Intermediate Brg Gusset	*1
32	230-01-03-017	Agitating Elbow Top Piece	1
33	230-01-03-018	Agitating Elbow Centre Piece	1
34	230-24-00-117	Agitating Elbow Base	1
35	230-01-03-020	Turn Socket	1
36	230-01-03-021	Turn Socket Gusset	1
37	230-01-04-022	Bearing Plate	1

MAIN FRAME CONTINUED

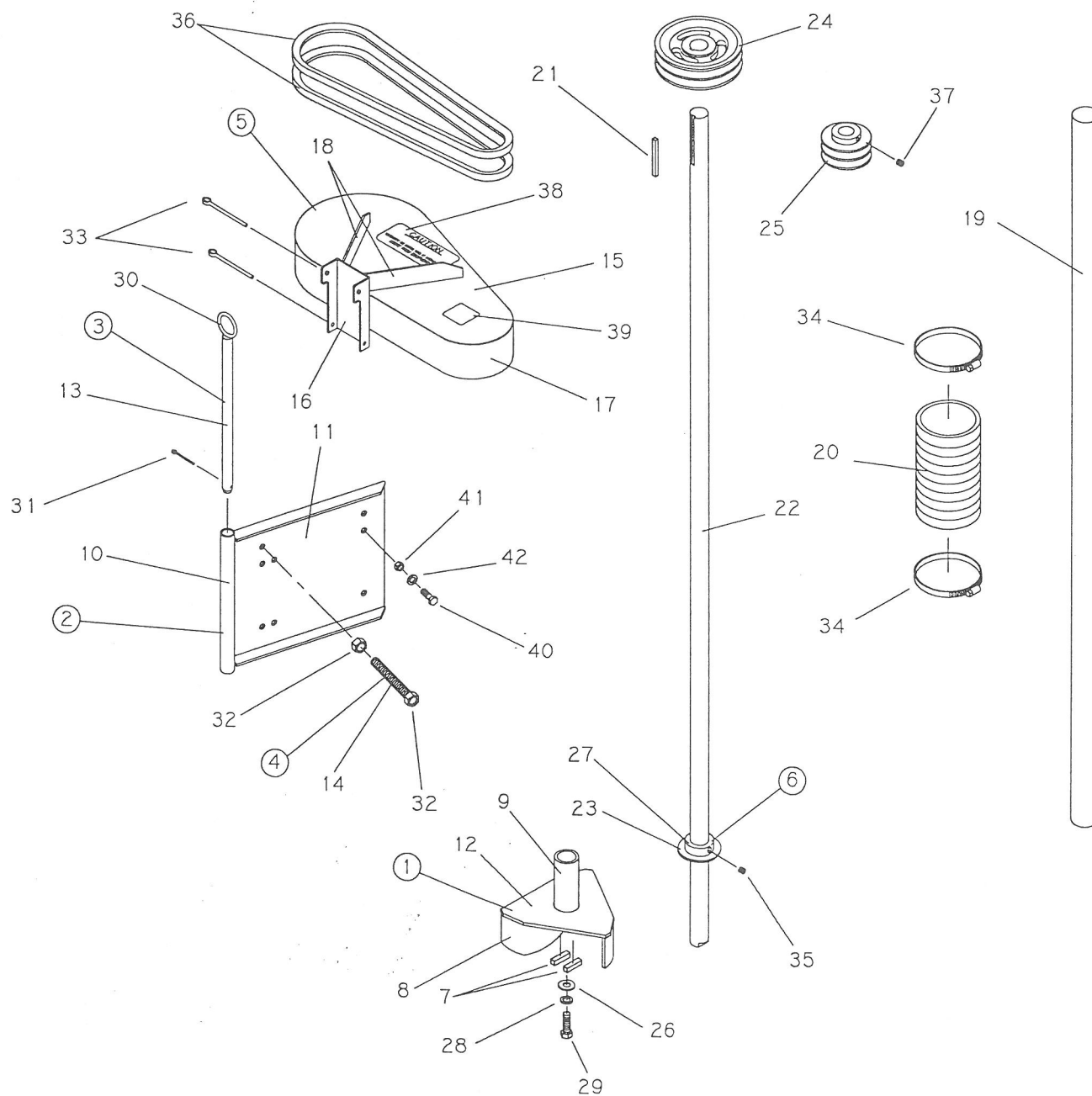
<u>Keys</u>	<u>Parts Number</u>	<u>Description</u>	<u>Qty</u>
38	230-01-04-023	RH Brg Plate Brace	1
39	230-01-04-024	Tension Rod Brkt	1
40	230-01-04-025	LH Brg Plate Brace	1
41	230-01-04-026	Guard Hinge Plate	1
42	230-01-04-027	Guard Sleeve	1
43	230-32-00-000	Change Box & Housing Assy.	1
44	230-33-09-000	Brg Holder Assy.	1
45	230-01-07-030	Pivot Pin	1
46	230-01-07-031	Pivot Pin Brkt	1
47	230-12-00-074	Adapter Pipe	1
48	230-01-00-033	Standpipe - 4 Ft.	1
	232-01-00-034	Standpipe - 5 Ft.	1
	234-01-00-035	Standpipe - 6 Ft.	1
	236-01-00-036	Standpipe - 8 Ft.	1
	238-01-00-037	Standpipe - 10 Ft.	1
	239-01-00-038	Standpipe - 12 Ft.	1
49	230-01-00-039	Stop Rod	1
50	230-01-00-040	Standpipe Gusset	2
51	234-01-08-041	Intermediate Brg Plate	*1
52	230-21-00-104	Housing Cover Plate	1
53	230-21-00-105	Inlet Ring	1
54	230-04-00-047	Handle Pivot	1
55	230-33-09-129	Brg Holder	1
56	230-04-00-131	Handle	1
57	230-05-00-050	Control Pipe - 4 Ft.	1
	232-05-00-051	Control Pipe - 5 Ft.	1
	234-05-00-052	Control Pipe - 6 Ft.	1
	236-05-00-053	Control Pipe - 8 Ft.	1
	238-05-00-054	Control Pipe - 10 Ft.	1
	239-05-00-055	Control Pipe - 12 Ft.	1
58	230-05-00-056	Control Rod Brkt	1
59	230-05-00-057	Control Rod Bar	1
60	230-22-00-107	Filler Plate	1
61	230-06-00-059	Foot Spacer	1
62	230-06-00-060	Foot	1
63	230-11-00-140	Floor Brkt Base	1
64	230-33-09-128	Brg Holder Back Plate	1
65	230-11-00-072	Slide Tube	1
66	230-13-00-075	Over Centre Arms	2
67	230-13-00-076	Adjusting Rod	1
68	230-00-00-077	Floor Brkt Legs	2
69	230-25-00-119	Agitator Turn Lever - 4 Ft.	1
	232-26-00-120	Agitator Turn Lever - 5 Ft.	1
	234-27-00-121	Agitator Turn Lever - 6 Ft.	1
	236-28-00-122	Agitator Turn Lever - 8 Ft.	1
	238-29-00-123	Agitator Turn Lever - 10 Ft.	1
	239-30-00-124	Agitator Turn Lever - 12 Ft.	1
70	230-00-00-084	Inspection Plate	1
71	R07827	3/4" Flat Washer	1
72	R09071	Serial Number Plate	1
73	R08162	Type "U" Drive Screw #4 x 1/4	2
74	R07794	3/8 Flange Nut	12

MAIN FRAME CONTINUED

<u>Keys</u>	<u>Parts Number</u>	<u>Description</u>	<u>Qty</u>
75	R20185	1 3/8 Flange Brg	1
76	R08021	1/8 x 1 Cotter Pin SS	1
77	R07786	5/8 Hex Nut	2
78	R07852	9/16 Flat Washer	1
79	R07823	3/8 Flat Washer	2
80	R08244	3/8 x 3/4 Flat Slot SS Machine	8
81	R07783	3/8 Hex Nut	6
82	R07803	3/8 Lock Washer	2
83	R07625	3/8 x 4 Machine Bolt	*2
84	R07612	5/16 x 1 1/2 Machine Bolt	1
85	R07782	5/16 Hex Nut	1
86	R07628	7/16 x 1 Machine Bolt	5
87	R07784	7/16 Hex Nut	9
88	R07629	7/16 X 1 1/2 Machine Bolt	4
89	R07804	7/16 Lock Washer	8
90	R20229	1 3/8 Wood Brg	*1

IMPELLER & SHAFT

<u>Keys</u>	<u>Parts Number</u>	<u>Description</u>	<u>Qty</u>
1	230-31-00-000	Impeller Assy	1
2	230-07-00-000	Motor Mount Assy.	1
3	230-08-00-000	Motor Mount Pin Assy	1
4	230-09-00-000	Tension Bolt Assy.	1
5	230-10-00-000	Belt Guard Assy.	1
6	230-23-00-000	Splash Guard Assy.	1
7	230-31-00-103	Shaft Sleeve Pin	2
8	230-31-00-126	Impeller Blade	3



IMPELLER & SHAFT CONTINUED

<u>Keys</u>	<u>Parts Number</u>	<u>Description</u>	<u>Qty</u>
9	230-31-00-099	Shaft Sleeve	1
10	230-07-00-061	Motor Mount Sleeve	1
11	230-07-00-062	Motor Mount	1
12	230-31-00-127	Impeller Back Plate	1
13	230-08-00-064	Motor Mount Pin	1
14	230-09-00-065	Tension Rod	1
15	230-10-00-066	Guard Top	1
16	230-10-00-041	Guard Support Channel	1
17	230-10-00-068	Guard Band	1
18	230-10-00-142	Guard Brace	1
19	230-00-00-132	Shaft Guard - 4 Ft.	1
	232-00-00-133	Shaft Guard - 5 Ft.	1
	234-00-00-134	Shaft Guard - 6 Ft.	1
	236-00-00-135	Shaft Guard - 8 Ft.	1
	238-00-00-136	Shaft Guard - 10 Ft.	1
	239-00-00-137	Shaft Guard - 12 Ft.	1
20	230-00-00-093	4" Flex Hose	1
21	230-00-00-092	Pulley Key	1
22	230-00-00-109	Drive Shaft - 4' Model	1
	230-00-00-110	Drive Shaft - 5' Model	1
	234-00-00-111	Drive Shaft - 6' Model	1
	236-00-00-112	Drive Shaft - 8' Model	1
	238-00-00-113	Drive Shaft - 10' Model	1
	239-00-00-114	Drive Shaft - 12' Model	1
23	R07848	1 3/8 Flat Washer	1
24	R21062	2 HB x 6.4 Sheeve w/ Bushing 1 3/8 Bore	1
25	R21064	2 HB 3.5 x 1 1/8 Bore Pulley	1
26	R07825	1/2" Flat Washer	1
27	R09554	1 3/8" Lock Collar	1
28	R07805	1/2" Lock Washer	1
29	R08217	1/2 x 1 1/4 SS Hex Bolt	1
30	R07925	1/4 x 1 1/2 Dia. Ring	1
31	R07948	5/32 Hair Pin Cotter	1
32	R07786	5/8 Hex Nut	2
33	R08017	1/4 x 4 Cotter Pin	2
34	R02237	H-5 72 Gear Clamp 4"	2
35	R07909	3/8 x 3/8 Allen Hd Set Screw	1
36	R20932	38B - V Belts	2
37	R07903	1/4 x 3/8 Allen Hd Set Screw	1
38	R09692	"Caution" - Rotate CCW" Decal	1
39	R09508	"Made in Canada" Decal	1
40	R07619	3/8 x 1 Hex Bolt	4
41	R07783	3/8 Hex Nut	4
42	R07803	3/8 Lock Washer	4

