

*Office copy
7/29/84
Feb 22/95 5 max
June 23/95 10 max
Oct 10/95 10 "*

Date Purchased _____ Machine Serial No. _____
Size of Pump _____ Options _____

PLEASE NOTE:

The key number system in this parts book is arranged as follows:

- 0 -- Key number with one circle denotes main assemblies
- Key Numbers not circled are individual parts.

Please order parts by number

4" ELECTRIC
HUSKY LIQUID MANURE PUMP

OPERATING INSTRUCTIONS:

1. Pump must turn counter-clockwise when looking down from top.
2. Fasten pump solid so it will not move when operating.
3. Make sure all moving parts are shielded.
4. Keep children and livestock away from pump.
5. Have an Electrician check amp draw when operating to make sure the motor has enough electricity.
6. Check bottom bearing for wear occasionally.
7. Keep belts snug but not overly tight.
8. EXTREME DANGER - Never enter a dirty manure spreader or storage tank - one breath of hydrogen sulfide gas is enough to kill.

MAIN FRAME

<u>KEYS</u>	<u>PARTS NUMBER</u>	<u>DESCRIPTION</u>	<u>QTY</u>
1	260-05-00-000	Pump Housing & Standpipe Assy. 4 Ft.	1
	261-06-00-000	Pump Housing & Standpipe Assy. 5 Ft.	1
	262-07-00-000	Pump Housing & Standpipe Assy. 6 Ft.	1
	263-08-00-000	Pump Housing & Standpipe Assy. 8 Ft.	1

	264-09-00-000	Pump Housing & Standpipe Assy. 10 Ft.	1
	265-10-00-000	Pump Housing & Standpipe Assy. 12 Ft.	1
2	260-02-01-000	Fan Housing Assy.	1
3	260-02-02-000	Change Box Assy.	1

4	230-21-00-000	Cover Plate Assy.	1
5	230-33-00-000	Brg & Holder Assy.	1
6	260-04-00-000	Agitating Elbow Assy.	1
7	260-05-03-000	Upper Brg Plate Assy.	1

8	230-01-00-138	Upper Motor Mount Brkt	1
9	230-01-00-139	Lower Motor Mount Brkt	1
10	230-01-07-000	Pivot Pin Assy.	1
11	262-07-04-000	Intermediate Brg Plate Assy.	1

12	230-35-00-000	Agitator Handle Assy.	1
13	230-05-00-000	Control Rod Assy. 4 Ft.	1
	232-05-00-000	Control Rod Assy. 5 Ft.	1
	234-05-00-000	Control Rod Assy. 6 Ft.	1

	236-05-00-000	Control Rod Assy. 8 Ft.	1
	238-05-00-000	Control Rod Assy. 10 Ft.	1
	239-05-00-000	Control Rod Assy. 12 Ft.	1
	14	260-03-00-000	Floor Brkt Assy.

15	230-13-00-000	Over Centre Arm Assy.	1
16	230-25-00-000	Agitator Turn Lever Assy. 4 Ft.	1
	232-26-00-000	Agitator Turn Lever Assy. 5 Ft.	1
	234-27-00-000	Agitator Turn Lever Assy. 6 Ft.	1

	236-28-00-000	Agitator Turn Lever Assy. 8 Ft.	1
	238-29-00-000	Agitator Turn Lever Assy. 10 Ft.	1
	239-30-00-000	Agitator Turn Lever Assy. 12 Ft.	1
	17	260-02-01-003	Fan Housing Bottom Plate

18	260-02-01-005	Housing Band	1
19	234-00-00-144	Brg Holder	* 2
20	230-01-02-005	Flapper Arm	1
21	260-02-02-007	Inspection Side Plate	1

22	260-02-02-008	Side Plate	1
23	260-02-02-009	Change Box Band	1
24	260-02-02-010	Top Plate	1
25	260-02-02-011	End Plate	1

26	260-02-02-013	Flapper Seat - Extension	1
27	260-02-02-012	Flapper	1
28	260-02-02-015	Flapper Shaft	1
29	260-02-02-014	Flapper Seat	2

MAIN FRAME CONTINUED

<u>KEYS</u>	<u>PARTS NUMBER</u>	<u>DESCRIPTION</u>	<u>QTY</u>
30	260-02-01-004	Fan Housing Top Plate	1
31	234-01-08-116	Intermediate Brg Gusset	* 1
32	260-04-00-020	Agitating Elbow Top Piece	1
33	260-04-00-019	Agitating Elbow Centre Piece	1

34	260-04-00-018	Agitating Elbow Base	1
35	230-01-03-020	Turn Socket	1
36	230-01-03-021	Turn Socket Gusset	1
37	260-05-03-021	Bearing Plate	1

38	260-05-03-022	RH Brg Plate Brace	1
39	260-05-03-033	Tension Rod Brkt	1
40	260-05-03-023	LH Brg Plate Brace	1
41	230-01-04-026	Guard Hinge Plate	1

42	230-01-04-027	Guard Sleeve	1
43	260-02-00-000	Change Box And Housing Assy.	1
44	230-33-09-000	Brg Holder Assy	1
45	230-01-07-030	Pivot Pin	1

46	230-01-07-031	Pivot Pin Brkt	1
47	260-05-00-024	Adapter Pipe	1
48	260-05-00-025	Standpipe - 4 Ft.	1
	261-06-00-027	Standpipe - 5 Ft.	1

	262-07-00-028	Standpipe - 6 Ft.	1
	263-08-00-029	Standpipe - 8 Ft.	1
	264-09-00-030	Standpipe - 10 Ft.	1
	265-10-00-031	Standpipe - 12 Ft.	1

49	230-01-00-039	Stop Rod	1
50	230-01-00-040	Standpipe Gusset	2
51	262-07-04-026	Intermediate Brg Plate	* 1
52	230-21-00-104	Housing Cover Plate	1

53	230-21-00-105	Inlet Ring	1
54	230-04-00-047	Handle Pivot	1
55	242-02-00-021	Brg Holder	1
56	230-35-00-131	Handle	1

57	230-05-00-050	Control Pipe - 4 Ft.	1
	232-05-00-051	Control Pipe - 5 Ft.	1
	234-05-00-052	Control Pipe - 6 Ft.	1
	236-05-00-053	Control Pipe - 8 Ft.	1

	238-05-00-054	Control Pipe - 10 Ft.	1
	239-05-00-055	Control Pipe - 12 Ft.	1
58	230-05-00-056	Control Rod Brkt	1
59	230-05-00-057	Control Rod Bar	1

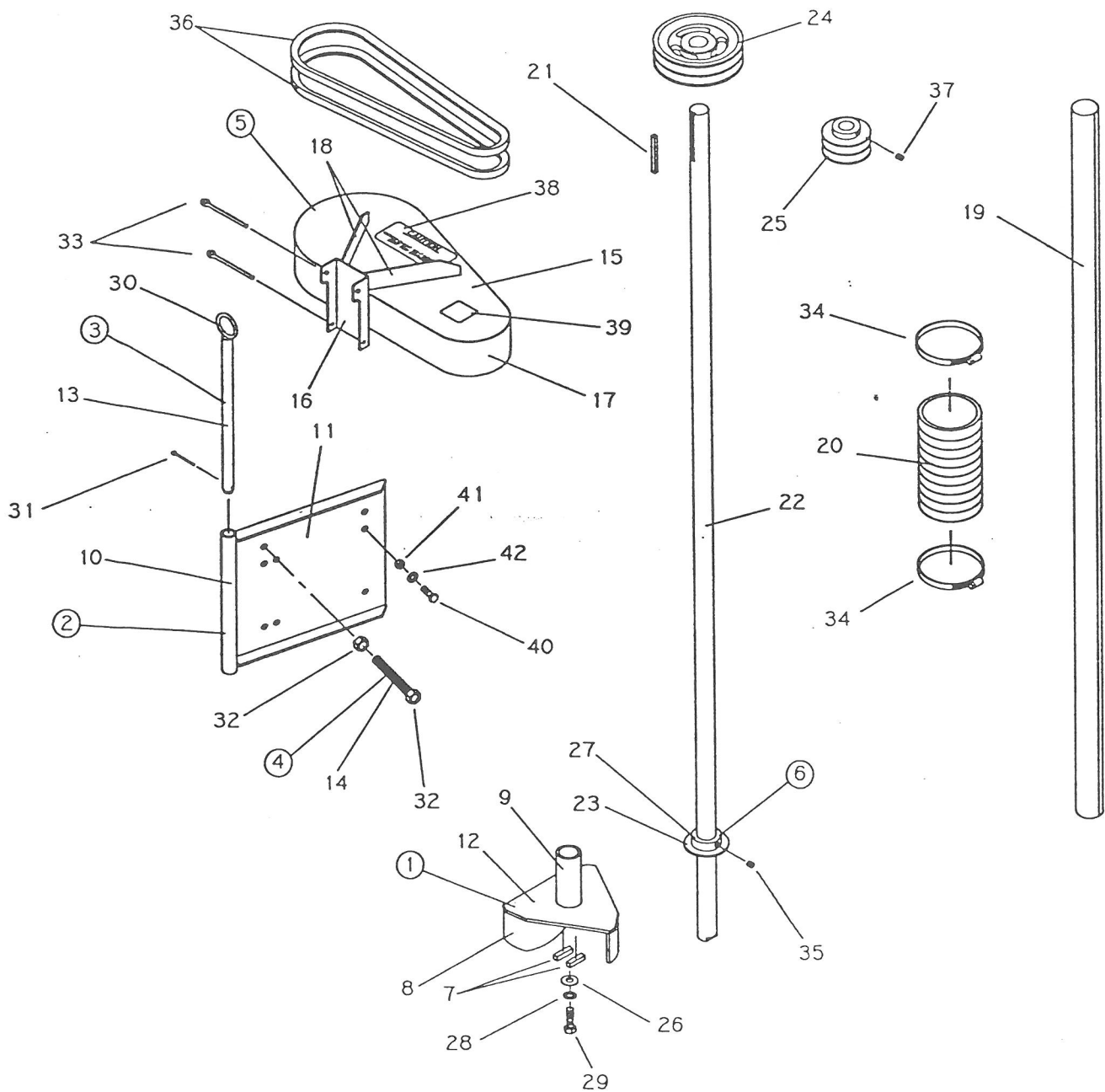
60	260-29-01-006	Filler Plate	1
61	230-06-00-059	Foot Spacer	1
62	230-06-00-060	Foot	1
63	260-03-00-017	Floor Brkt	1

MAIN FRAME CONTINUED

<u>KEYS</u>	<u>PARTS NUMBER</u>	<u>DESCRIPTION</u>	<u>QTY</u>
64	230-33-09-128	Brg Holder Back Plate	1
65	260-03-00-016	Slide Tube	1
66	230-13-00-075	Over Centre Arms	2
67	230-13-00-076	Adjusting Rod	1
<hr/>			
68	230-00-00-077	Floor Bracket Legs	2
69	230-25-00-119	Agitator Turn Lever - 4 Ft.	1
	232-26-00-120	Agitator Turn Lever - 5 Ft.	1
	234-27-00-121	Agitator Turn Lever - 6 Ft.	1
<hr/>			
	236-28-00-122	Agitator Turn Lever - 8 Ft.	1
	238-29-00-123	Agitator Turn Lever - 10 Ft.	1
	239-30-00-124	Agitator Turn Lever - 12 Ft.	1
70	230-00-00-084	Inspection Plate	1
<hr/>			
71	R07827	3/4" Flat Washer	1
72	R09071	Serial Number Plate	1
73	R08162	Type "U" Drive Screw #4 x 1/4	2
74	R07794	3/8 Flange Nut	12
<hr/>			
75	R20185	1 3/8 Flange Brg.	1
76	R08021	1/8 x 1 Cotter Pin SS	1
77	R07786	5/8 Hex Nut	2
78	R07852	9/16 Flat Washer	1
<hr/>			
79	R07823	3/8 Flat Washer	2
80	R08244	3/8 x 34 SS Flat Slot Hd Machine Screw	8
81	R07783	3/8 Hex Nut	6
82	R07803	3/8 Lock Washer	2
<hr/>			
83	R07625	3/8 x 4 Machine Bolt	* 2
84	R07612	5/16 x 1 1/2 Machine Bolt	1
85	R07782	5/16 Hex Nut	1
86	R07628	7/16 x 1 Machine Bolt	5
<hr/>			
87	R07784	7/16 Hex Nut	9
88	R07629	7/16 x 1 1/2 Machine Bolt	4
89	R07804	7/16 Lock Washer	8
90	R20229	1 3/8 Wood Brg	* 1
<hr/>			
91	R07620	3/8 X 1 1/2 Hex Bolt	2
92	R08016	1/4 x 2 Cotter Pin	1
<hr/>			

IMPELLER & SHAFT

<u>KEYS</u>	<u>PARTS NUMBER</u>	<u>DESCRIPTION</u>	<u>QTY</u>
1	260-01-00-000	Impeller Assy	1
2	230-07-00-000	Motor Mount Assy.	1
3	230-08-00-000	Motor Mount Pin Assy.	1
4	230-09-00-000	Tension Bolt Assy	1
<hr/>			
5	230-10-00-000	Belt Guard Assy.	1
6	230-23-00-000	Splash Guard Assy.	1
7	230-31-00-103	Shaft Sleeve Pin	2
8	260-01-00-001	Impeller Blade	3



IMPELLER & SHAFT CONTINUED

<u>KEYS</u>	<u>PARTS NUMBER</u>	<u>DESCRIPTION</u>	<u>QTY</u>
9	260-01-00-002	Shaft Sleeve	1
10	230-07-00-061	Motor Mount Sleeve	1
11	230-07-00-062	Motor Mount	1
12	230-31-00-127	Impeller Back Plate	1
13	230-08-00-064	Motor Mount Pin	1
14	230-09-00-065	Tension Rod	1
15	230-10-00-066	Guard Top	1
16	230-10-00-141	Guard Support Channel	1
17	230-10-00-068	Guard Band	1
18	230-10-00-142	Guard Brace	1
19	230-00-00-132	Shaft Guard - 4 Ft.	1
	232-00-00-133	Shaft Guard - 5 Ft.	1
	234-00-00-134	Shaft Guard - 6 Ft.	1
	236-00-00-135	Shaft Guard - 8 Ft.	1
	238-00-00-136	Shaft Guard - 10 Ft.	1
	239-00-00-137	Shaft Guard - 12 Ft.	1
20	206-00-00-097	5" Flex Hose	1
21	230-00-00-092	Pulley Key	1
22	230-00-00-109	Drive Shaft - 4' Model	1
	232-00-00-110	Drive Shaft - 5' Model	1
	234-00-00-111	Drive Shaft - 6' Model	1
	236-00-00-112	Drive Shaft - 8' Model	1
	238-00-00-113	Drive Shaft - 10' Model	1
	239-00-00-114	Drive Shaft - 12' Model	1
23	R07848	1 3/8 Flat Washer	1
24	R21062	2 HB x 6.4 Sheeve w/Bushing 1 3/8 Bore	1
25	R21063	2 HB 4 x 1 3/8 Bore Pulley	1
26	R07825	1/2" Flat Washer	1
27	R09554	1 3/8" Lock Collar	1
28	R07805	1/2" Lock Washer	1
29	R08217	1/2 x 1 1/4 SS Hex Bolt	1
30	R07925	1/4 x 1 1/2 Dia. Ring	1
31	R07948	5/32 Hair Pin Cotter	1
32	R07786	5/8 Hex Nut	2
33	R08017	1/4 x 4 Cotter Pin	2
34	R02483	5" Bauer Clamp	2
35	R07909	3/8 x 3/8 Allen Hd Set Screw	1
36	R20932	38B - V Belts	2
37	R07903	1/4 x 3/8 Allen Hd Set Screw	1
38	R09692	"Caution" - Rotate CCW" Decal	1
39	R09508	"Made In Canada" Decal	1
40	R07619	3/8 x 1 Hex Bolt	4
41	R07783	3/8 Hex Nut	4
42	R07803	3/8 Lock Washer	4

