

Date Purchased _____ Machine Serial No. _____

Size of Pump _____ Options _____

The key number system in this parts book is arranged as follows:

- ⊙ - Key numbers with two circles denotes main assemblies.
- - Key numbers with one circle are individual parts

Please order parts by number



4" ELECTRIC TRANSFER PUMP

ELECTRIC PUMP – 4ft ▪ 260-00-00-000

ELECTRIC PUMP – 5ft ▪ 261-00-00-000

ELECTRIC PUMP – 6ft ▪ 262-00-00-000

ELECTRIC PUMP – 8ft ▪ 263-00-00-000

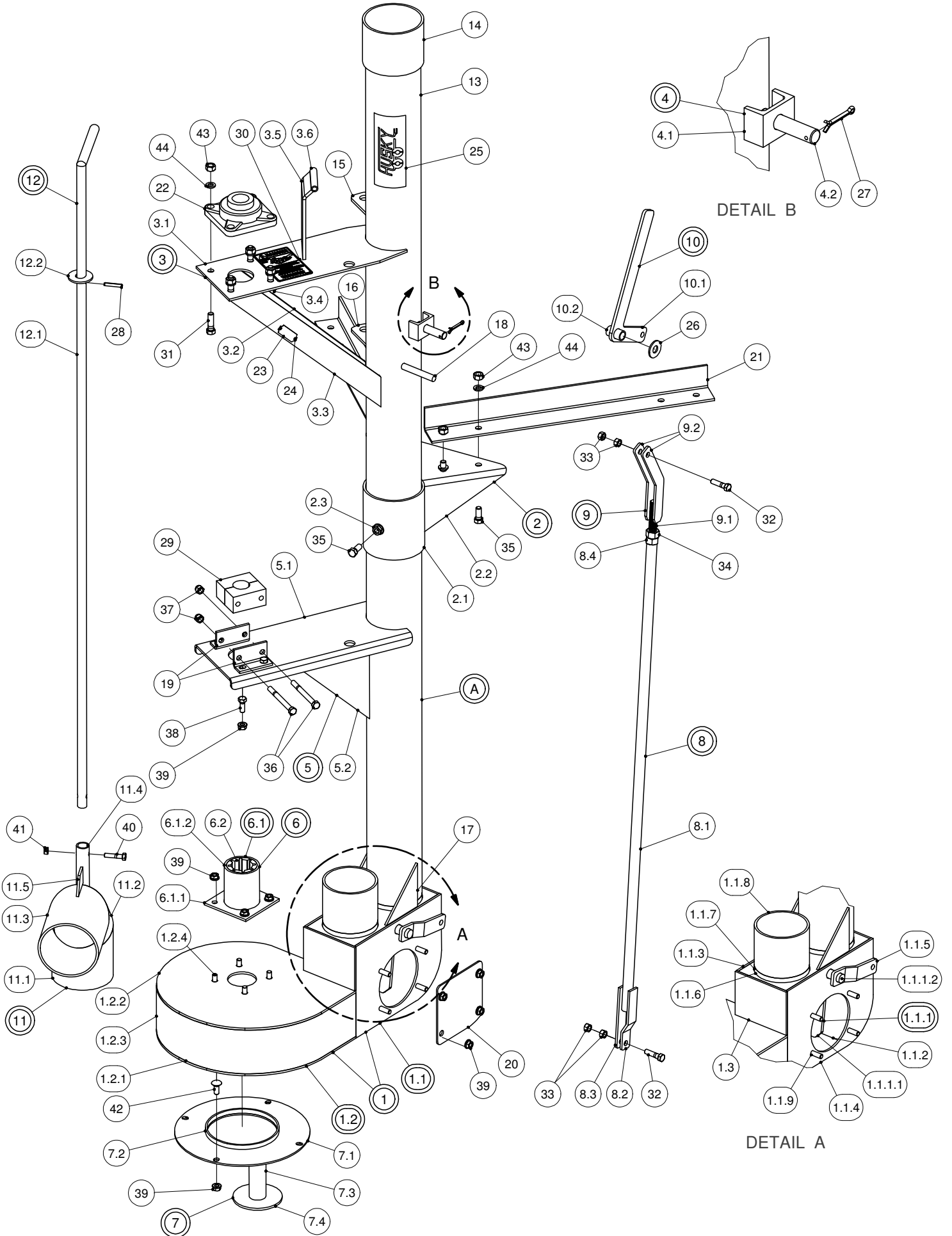
ELECTRIC PUMP – 10ft ▪ 264-00-00-000

ELECTRIC PUMP – 12ft ▪ 265-00-00-000

OPERATING INSTRUCTIONS:

1. Pump must turn counter-clockwise when looking down from top.
2. Fasten pump solid so it will not move when operating.
3. Make sure all moving parts are shielded.
4. Keep children and livestock away from pump.
5. Have an Electrician check amp draw when operating to make sure the motor has enough electricity.
6. Check bottom bearing for wear occasionally.
7. Keep belts snug but not overly tight.
8. **EXTREME DANGER** – Never enter a dirty manure spreader or storage tank – one breath of hydrogen sulphide gas is enough to kill. Have a ladder in your pit, so that if by accident you should fall in, you can get out.

4" ELECTRIC MAIN FRAME

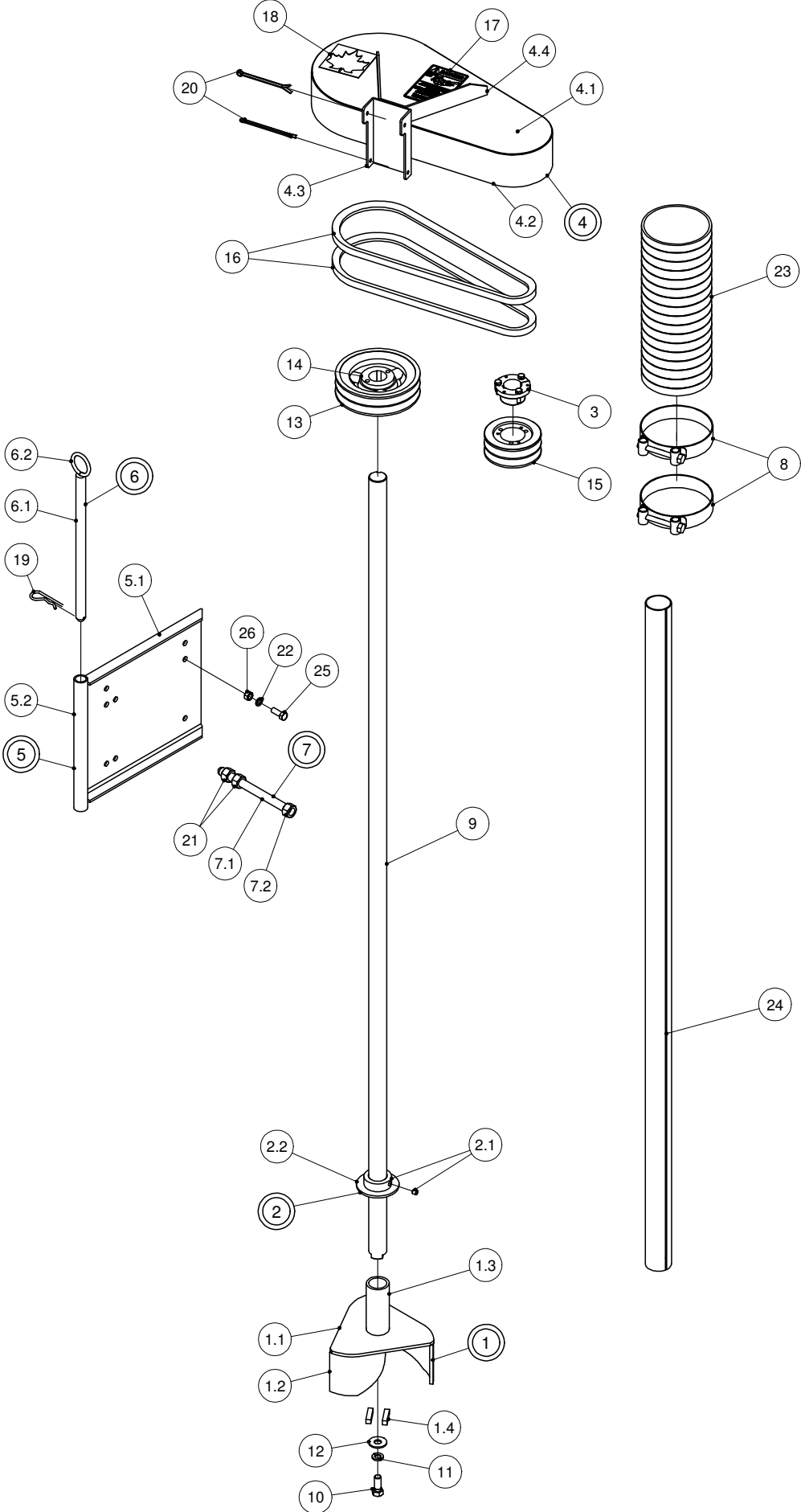


4" ELECTRIC MAIN FRAME

Parts List				Parts List			
ITEM	PART NUMBER	DESCRIPTION	QTY	ITEM	PART NUMBER	DESCRIPTION	QTY
A	265-10-00-000	PUMP HOUSING & STANDPIPE ASSY - 12 FT	1	8.3	230-05-00-057	CONTROL ROD BAR	1
	264-09-00-000	PUMP HOUSING & STANDPIPE ASSY - 10 FT	1	8.4	R07786	5/8-11 UNC HEX NUT - ZINC	1
	263-08-00-000	PUMP HOUSING & STANDPIPE ASSY - 8 FT	1	9	230-13-00-000	OVER CENTER ARM ASSY	1
	262-07-00-000	PUMP HOUSING & STANDPIPE ASSY - 6 FT	1	9.1	230-13-00-076	ADJUSTING ROD	1
	261-06-00-000	PUMP HOUSING & STANDPIPE ASSY - 5 FT	1	9.2	230-13-00-075	OVER CENTER ARM	2
	260-05-00-000	PUMP HOUSING & STANDPIPE ASSY - 4 FT	1	10	230-04-00-000	AGITATOR HANDLE ASSY	1
1	260-02-00-000	CHANGE BOX & HOUSING ASSY	1	10.1	230-04-00-131	HANDLE	1
1.1	260-02-02-000	4" CHANGE BOX ASSY	1	10.2	230-04-00-047	HANDLE PIVOT	1
1.1.1	260-02-07-000	FLAPPER ASSY	1	11	260-04-00-000	AGITATOR ELBOW ASSY	1
1.1.1.1	260-02-02-012	FLAPPER	1	11.1	260-04-00-018	AGITATING ELBOW BASE	1
1.1.1.2	260-02-02-015	FLAPPER SHAFT	1	11.2	260-04-00-019	AGITATING ELBOW CENTER PIECE	1
1.1.2	260-02-02-009	CHANGE BOX BAND	1	11.3	260-04-00-020	AGITATING ELBOW TOP PIECE	1
1.1.3	260-02-02-008	SIDE PLATE	1	11.4	230-01-03-020	TURN SOCKET	1
1.1.4	260-02-02-007	INSPECTION SIDE PLATE	1	11.5	230-01-03-021	TURN SOCKET GUSSET	1
1.1.5	230-01-02-005	FLAPPER ARM	1	(12)	239-30-00-000	AGITATOR TURN LEVER ASSY - 12 FT MODEL	1
1.1.6	260-02-02-010	TOP PLATE	1		238-29-00-000	AGITATOR TURN LEVER ASSY - 10 FT MODEL	1
1.1.7	260-02-02-014	FLAPPER SEAT	2		236-28-00-000	AGITATOR TURN LEVER ASSY - 8 FT MODEL	1
1.1.8	260-02-02-013	FLAPPER SEAT EXTENSION	1		234-27-00-000	AGITATOR TURN LEVER ASSY - 6 FT MODEL	1
1.1.9	R08323	3/8 x 1 SS WELD STUD	4		232-26-00-000	AGITATOR TURN LEVER ASSY - 5 FT MODEL	1
1.2	260-02-01-000	4" FAN HOUSING ASSY	1	12	230-25-00-000	AGITATOR TURN LEVER ASSY - 4 FT MODEL	1
1.2.1	260-02-01-003	FAN HOUSING BOTTOM PLATE	1	12.2	R07827	3/4 FLAT WASHER STD - ZINC	1
1.2.2	260-02-01-004	FAN HOUSING TOP PLATE	1	(12.1)	239-30-00-000	AGITATOR TURN LEVER - 12 FT MODEL	1
1.2.3	260-02-01-005	HOUSING BAND	1		238-29-00-000	AGITATOR TURN LEVER - 10 FT MODEL	1
1.2.4	R08244	3/8 x 3/4 FLAT HEAD SLOT S.S.	4		236-28-00-122	AGITATOR TURN LEVER - 8 FT MODEL	1
1.3	260-02-02-011	END PLATE	1		234-27-00-121	AGITATOR TURN LEVER - 6 FT MODEL	1
2	260-03-00-000	FLOOR BRACKET ASSY	1		232-26-00-120	AGITATOR TURN LEVER - 5 FT MODEL	1
2.1	260-03-00-016	SLIDE TUBE	1	12.1	230-25-00-119	AGITATOR TURN LEVER - 4 FT MODEL	1
2.2	260-03-00-034	FLOOR BRACKET BASE	1	(13)	265-10-00-031	STANDPIPE - 12 FT	1
2.3	R07879	7/16-14 UNC FLANGE NUT - ZINC	1		264-09-00-030	STANDPIPE - 10 FT	1
3	260-05-03-000	UPPER BRG PLATE ASSY	1		263-08-00-029	STANDPIPE - 8 FT	1
3.1	260-05-03-021	UPPER BRG PLATE	1		262-07-00-028	STANDPIPE - 6 FT	1
3.2	260-05-03-023	LH BRG PLATE BRACE	1		261-06-00-027	STANDPIPE - 5 FT	1
3.3	260-05-03-022	RH BRG PLATE BRACE	1	13	260-05-00-025	STANDPIPE - 4 FT	1
3.4	260-05-03-033	TENSION ROD BRKT	1	14	260-05-00-024	ADAPTER TUBE	1
3.5	230-01-04-026	GUARD HINGE PLATE	1	15	230-01-00-138	UPPER MOTOR MOUNT ASSY	1
3.6	230-01-04-027	GUARD SLEEVE	1	16	230-01-00-139	LOWER MOTOR MOUNT ASSY	1
4	230-01-07-000	PIVOT PIN ASSY	1	17	230-01-00-040	STANDPIPE GUSSET	2
4.1	230-01-07-031	PIVOT PIN BRKT	1	18	260-05-00-035	STOP ROD	1
4.2	230-01-07-030	PIVOT PIN	1	19	234-00-00-144	BRG HOLDER	2
5	262-07-04-000	INTERMEDIATE BRG HOLDER ASSY (ON 6 FT & OVER)	*	20	230-00-00-084	INSPECTION PLATE	1
5.1	262-07-04-026	INTERMEDIATE BRG PLATE	1	21	230-00-00-077	FLOOR BRKT LEGS	2
5.2	234-01-08-116	INTERMEDIATE BRG GUSSET	1	22	R20185	1 3/8 FLANGE BRG	1
6	230-33-00-000	BEARING & HOLDER ASSY	1	23	R09071	SERIAL NUMBER PLATE	1
6.1	230-33-09-000	BEARING HOLDER ASSY	1	24	R08152	#6 x 1/4" PAN HD SOCKET SCREW	2
6.1.1	230-33-09-128	BEARING HOLDER BACK PLATE	1	25	R09671	"HUSKY" DECAL	1
6.1.2	230-33-09-129	BRG HOLDER	1	26	R07852	9/16 FLAT WASHER	1
6.2	R20223	URETHANE	1	27	R08207	5/32" X 1 1/2" SS COTTER PIN	1
7	230-21-00-000	COVER PLATE ASSY	1	28	R07962	1/4 x 1 1/2 ROLL PIN	1
7.1	230-21-00-104	HOUSING COVER PLATE	1	29	R20229	1 3/8 WOOD BRG	1
7.2	230-21-00-105	INLET RING	1	30	R09692	ELECTRIC PUMP DANGER & CCW DECAL	1
7.3	230-06-00-059	FOOT SPACER	1	31	R07629	7/16-14 UNC x 1.5 HEX BOLT GR.5	4
7.4	230-06-00-060	FOOT	1	32	R07620	3/8-16 UNC x 1.5 HEX BOLT GR.5	2
(8)	239-05-00-000	CONTROL ROD ASSY - 12 FT MODEL	1	33	R07783	3/8-16 UNC HEX NUT - ZINC	4
	238-05-00-000	CONTROL ROD ASSY - 10 FT MODEL	1	34	R07786	5/8-11 UNC HEX NUT - ZINC	1
	236-05-00-000	CONTROL ROD ASSY - 8 FT MODEL	1	35	R07628	7/16-14 UNC x 1 HEX BOLT GR.5	5
	234-05-00-000	CONTROL ROD ASSY - 6 FT MODEL	1	36	R07625	3/8-16 UNC x 4 HEX BOLT GR.5	2
	232-05-00-000	CONTROL ROD ASSY - 5 FT MODEL	1	37	R08247	3/8-16 UNC NYLOCK NUT - ZINC	2
8	230-05-00-000	CONTROL ROD ASSY - 4 FT MODEL	1	38	R07619	3/8-16 UNC x 1 HEX BOLT GR.5	4
(8.1)	239-05-00-055	CONTROL PIPE - 12 FT MODEL	1	39	R07794	3/8-16 UNC FLANGE NUT - ZINC	16
	238-05-00-054	CONTROL PIPE - 10 FT MODEL	1	40	R07612	5/16-18 UNC x 1.5 HEX BOLT GR.5	1
	236-05-00-053	CONTROL PIPE - 8 FT MODEL	1	41	R07888	5/16-18 UNC 2-WAY LOCK NUT - ZINC	1
	234-05-00-052	CONTROL PIPE - 6 FT MODEL	1	42	R07721	3/8-16 UNC x 1 CARRIAGE BOLT Gr.5	4
	232-05-00-051	CONTROL PIPE - 5 FT MODEL	1	43	R07784	7/16-14 UNC HEX NUT - ZINC	8
8.1	230-05-00-050	CONTROL PIPE - 4 FT MODEL	1	44	R07804	7/16 LOCK WASHER - ZINC	8
8.2	230-05-00-056	CONTROL ROD BRKT	1				

* 4ft & 5ft DO NOT INCLUDE AN INTERMEDIATE BRG PLATE ASSY
6ft to 10ft INCLUDES 1x INTERMEDIATE BRG PLATE ASSY (PLUS HARDWARE)
12ft INCLUDES 2x INTERMEDIATE BRG PLATE ASSY (PLUS HARDWARE)

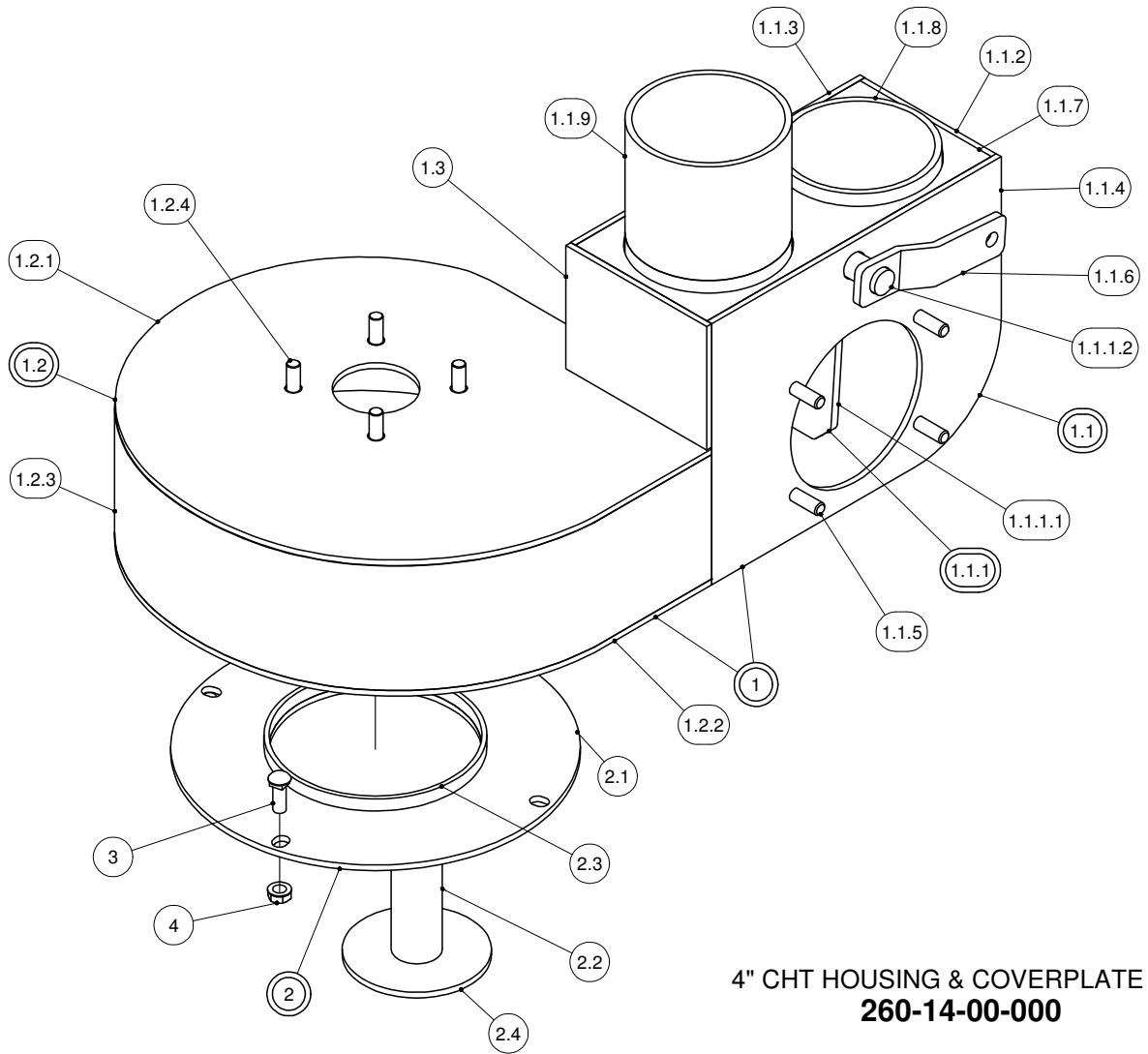
4" ELECTRIC IMPELLER & SHAFT



4" ELECTRIC IMPELLER & SHAFT

PARTS LIST			
ITEM	PART NUMBER	DESCRIPTION	QTY
1	260-01-00-000	IMPELLER ASSY	1
1.1	230-31-00-127	IMPELLER BACK PLATE	1
1.2	260-01-00-001	4" IMPELLER BLADE	3
1.3	260-01-00-002	SHAFT SLEEVE	1
1.4	230-31-00-103	SHAFT SLEEVE PIN	2
2	230-23-00-000	SPLASH GUARD ASSY	1
2.1	R09554	1 3/8" LOCK COLLAR	1
2.2	R07848	1 3/8 FLAT WASHER	1
3	R21049	1 3/8 SHEAVE BUSHING	1
	R21048	1 1/8 SHEAVE BUSHING	1
4	230-10-00-000	BELT GUARD ASSY	1
4.1	230-10-00-066	GUARD TOP	1
4.2	230-10-00-068	GUARD BAND	1
4.3	230-10-00-141	GUARD SUPPORT CHANNEL	1
4.4	230-10-00-142	GUARD BRACE	1
5	230-07-00-000	MOTOR MOUNT ASSY-184T/215T	1
5.1	230-07-00-062	MOTOR MOUNT	1
5.2	230-07-00-061	MOTOR MOUNT SLEEVE	1
6	230-08-00-000	MOTOR MOUNT PIN ASSY	1
6.1	230-08-00-064	MOTOR MOUNT PIN	1
6.2	250-00-00-354	1/4 X 1 1/2" RING	1
7	230-09-00-000	TENSION BOLT ASSY	1
7.1	230-09-00-065	TENSION ROD	1
7.2	R07786	5/8-11 UNC HEX NUT - ZINC	1
8	R02483	5" BAUER CLAMP	2
(9)	239-00-00-114	DRIVE SHAFT - 12 FT MODEL	1
	238-00-00-113	DRIVE SHAFT - 10 FT MODEL	1
	236-00-00-112	DRIVE SHAFT - 8 FT MODEL	1
	234-00-00-111	DRIVE SHAFT - 6 FT MODEL	1
	232-00-00-110	DRIVE SHAFT - 5 FT MODEL	1
9	230-00-00-109	DRIVE SHAFT - 4 FT MODEL	1
10	R08217	1/2 x 1 1/4 SS HEX BOLT	1
11	R07805	1/2 LOCK WASHER	1
12	R07825	1/2 FLAT WASHER	1
13	R21062	2 HB x 6.4 SHEEVE w/ BUSHING - 1 3/8 BORE	1
14	R21052	PULLEY BUSHING - 1 3/8	1
15	R21045	2HB - 3.6 x 1 3/8 BORE PULLEY (5 HP)	1
	R21055	2HB - 4.5 x 1 3/8 BORE PULLEY (7.5 HP & 10 HP)	1
16	R20932	38B - V BELTS	2
17	R09692	ELECTRIC PUMP DANGER & CCW DECAL	1
18	R09508	"MADE IN CANADA" DECAL - LARGE	1
19	R07948	5/32 HAIR PIN	1
20	R08017	1/4 x 4 COTTER PIN	2
21	R07786	5/8 HEX NUT	2
22	R07803	3/8 LOCK WASHER	1
23	206-00-00-097	5" FLEX HOSE	1
(24)	239-00-00-137	SHAFT GUARD - 12 FT MODEL	1
	238-00-00-136	SHAFT GUARD - 10 FT MODEL	1
	236-00-00-135	SHAFT GUARD - 8 FT MODEL	1
	234-00-00-134	SHAFT GUARD - 6 FT MODEL	1
	232-00-00-133	SHAFT GUARD - 5 FT MODEL	1
24	230-00-00-132	SHAFT GUARD - 4 FT MODEL	1
25	R07619	3/8 x 1 HEX BOLT	1
26	R07783	3/8 HEX NUT	1

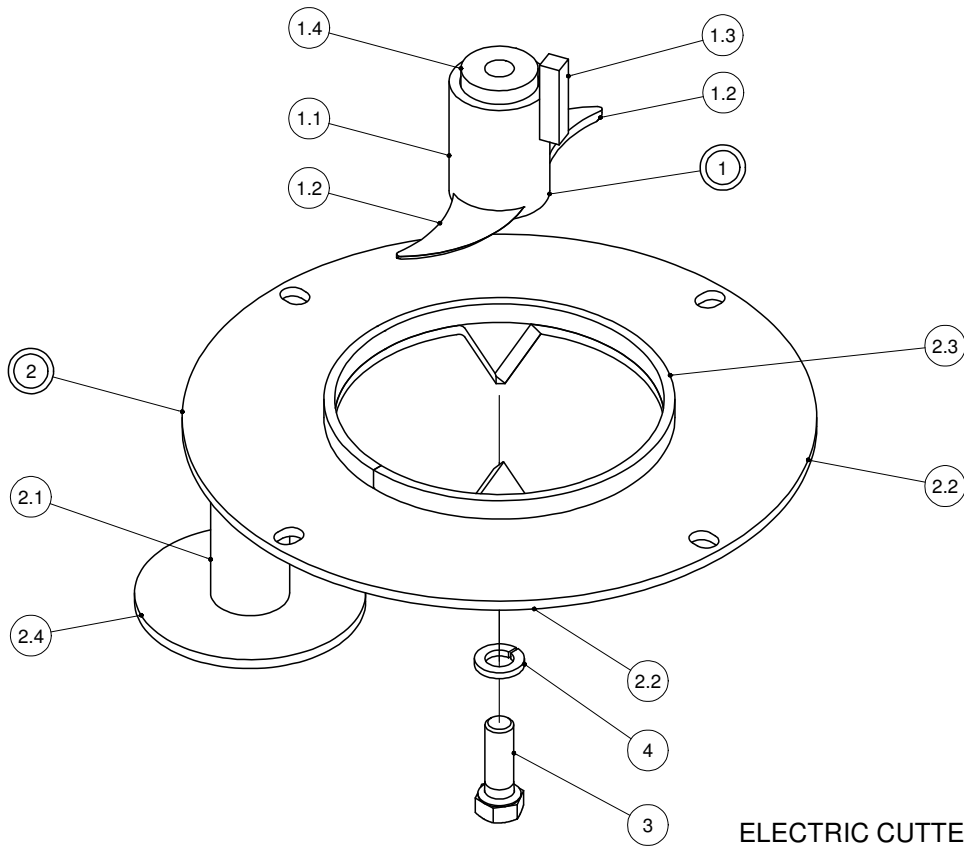
4" ELECTRIC CHT HOUSING KIT



**4" CHT HOUSING & COVERPLATE KIT
260-14-00-000**

PARTS LIST				PARTS LIST			
ITEM	PART NUMBER	DESCRIPTION	QTY	ITEM	PART NUMBER	DESCRIPTION	QTY
1	260-14-04-000	4" CHT HOUSING & CHANGE BOX ASSY	1	1.2	260-14-01-000	CHT FAN HOUSING ASSY	1
1.1	260-14-02-000	4" CHT CHANGE BOX ASSY	1	1.2.1	260-14-01-041	CHT FAN HOUSING TOP PLATE	1
1.1.1	260-14-03-000	CHT FLAPPER ASSY	1	1.2.2	260-14-01-042	CHT FAN HOUSING BOTTOM PLATE	1
1.1.1.1	260-14-03-046	CHT FLAPPER	1	1.2.3	260-14-01-043	CHT HOUSING BAND	1
1.1.1.2	260-02-02-015	FLAPPER SHAFT	1	1.2.4	R08243	3/8 x 1" FLAT HEAD SLOT S.S.	4
1.1.2	260-14-02-045	CHT CHANGE BOX BAND	1	1.3	260-02-02-011	END PLATE	1
1.1.3	260-02-02-008	SIDE PLATE	1	2	230-35-03-000	CHT COVER PLATE ASSY	1
1.1.4	260-02-02-007	INSPECTION SIDE PLATE	1	2.1	230-35-03-151	CHT COVER PLATE	1
1.1.5	R08323	3/8 x 1 SS WELD STUD	4	2.2	230-06-00-059	FOOT SPACER	1
1.1.6	230-01-02-005	FLAPPER ARM	1	2.3	230-35-03-152	CHT INLET RING	1
1.1.7	260-02-02-010	TOP PLATE	1	2.4	230-06-00-060	FOOT	1
1.1.8	260-02-02-014	FLAPPER SEAT	2	3	R07721	3/8 x 1 CARRIAGE BOLT	4
1.1.9	260-02-02-013	FLAPPER SEAT EXTENSION	1	4	R07794	3/8 FLANGE NUT	4

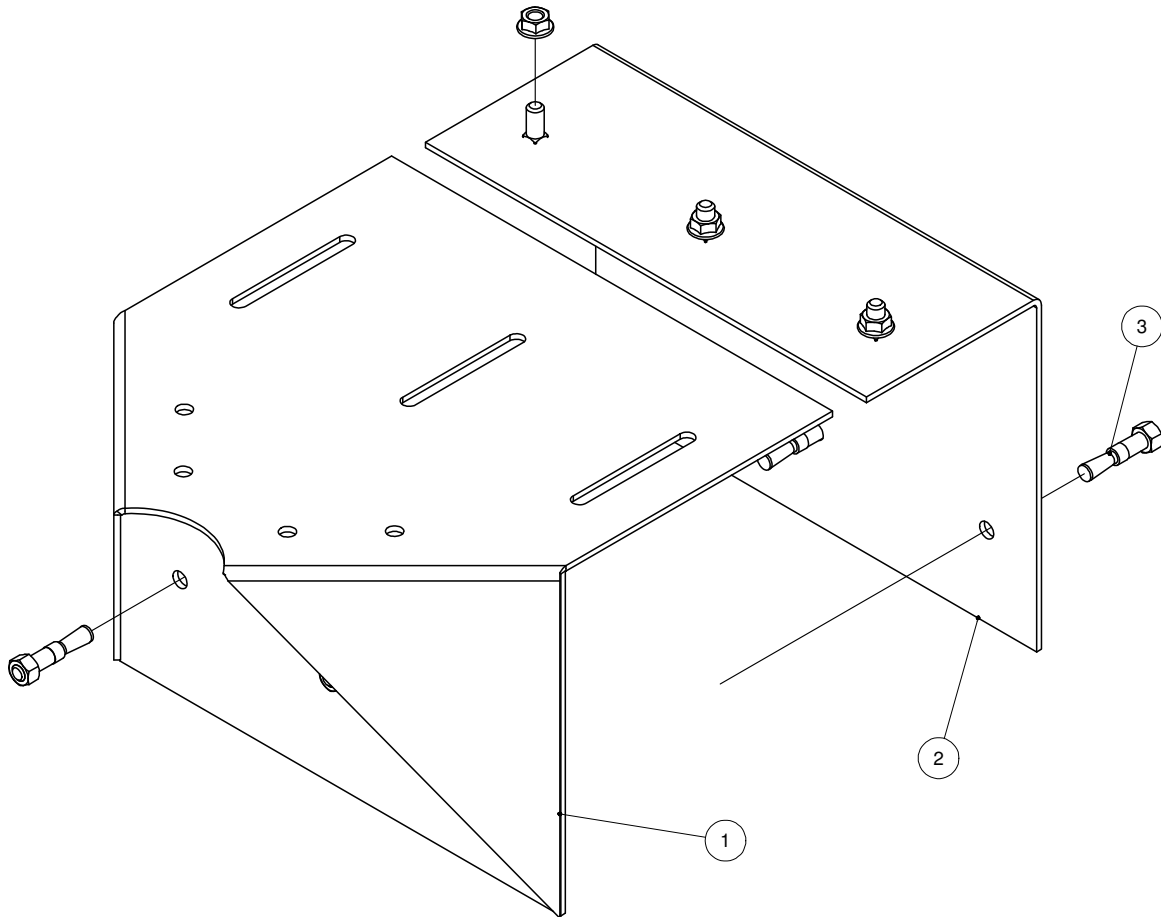
ELECTRIC CUTTER BLADE KIT



**ELECTRIC CUTTER BLADE KIT
260-13-00-000**

PARTS LIST			
ITEM	PART NUMBER	DESCRIPTION	QTY
1	260-13-08-000	CUTTER BLADE ASSY	1
1.1	260-13-08-037	CUTTER BLADE TUBE	1
1.2	260-13-08-036	CUTTER BLADE	2
1.3	260-13-08-040	STOP BAR	1
1.4	260-13-08-038	PLUG WASHER	1
2	550-19-00-000	COVER PLATE ASSY W/LEDGER	1
2.1	230-06-00-059	FOOT SPACER	1
2.2	550-19-00-061	COVER PLATE W/LEDGER PLATE	1
2.3	550-19-00-083	COVER PLATE RING	1
2.4	230-06-00-060	FOOT	1
3	R08416	1/2-13 UNC x 1.5 HEX BOLT SS	1
4	R08414	1/2 LOCK WASHER - SS	1

ELECTRIC WALL MOUNT KIT



**3" WALL BRKT KIT
230-36-00-000**

PARTS LIST			
ITEM	PART NUMBER	DESCRIPTION	QTY
1	230-36-01-000	WALL MOUNT BRKT ASSY	1
2	230-36-00-155	OUTER WALL BRKT	1
4	R07742	1/2-13 UNC x 1.25 CARRIAGE BOLT Gr.5	3
3	R07844	1/2 X 2 3/4" ANCHOR STUD	6
5	R07795	1/2-13 UNC FLANGE NUT - ZINC	3

This Page is Intentionally Left Blank

GUARANTEE

All Husky Farm Equipment manufactured by Husky Farm Equipment Limited is guaranteed. Guarantee covers all the replacement cost or repair of all parts said to be defective from manufacture. Guarantee also covers labour installing said parts, if installed at Husky Manufacturing plant. Time and use is the essence of the guarantee. If equipment is used on a private property for an individual's use, guarantee will be in effect for twelve months from date of invoice. If equipment is used for commercial use to do custom work for money then guarantee will be in effect for three months only from date of invoice.

EXEMPTIONS FROM GUARANTEE

Cost of transportation of equipment to or from Husky Farm Equipment Limited either by customer or by Husky's service staff or cost of mail or public transportation is not covered. Tires and electric or hydraulic motors are covered by manufacturer's warranty and although Husky may assist to get warranty, Husky will not be responsible other than that allowed by manufacturer's warranty. Items subject to normal wear from use not covered by guarantee if faulty part is simply worn.