

Office Copy

Date Purchased \_\_\_\_\_ Machine Serial No. \_\_\_\_\_

Size of Pump \_\_\_\_\_ Options \_\_\_\_\_

03/14/2007 -

Mar 25/08

June 6/08

June 27/08

July 24/08

Mar 26/09

July 3/09

Mar 11/10

The key number system in this parts book is arranged as follows:

- ⊙ - Key numbers with two circles denotes main assemblies.
- - Key numbers with one circle are individual parts

Please order parts by number

**HUSKY**  
FARM EQUIPMENT

## PL490 LAGOON

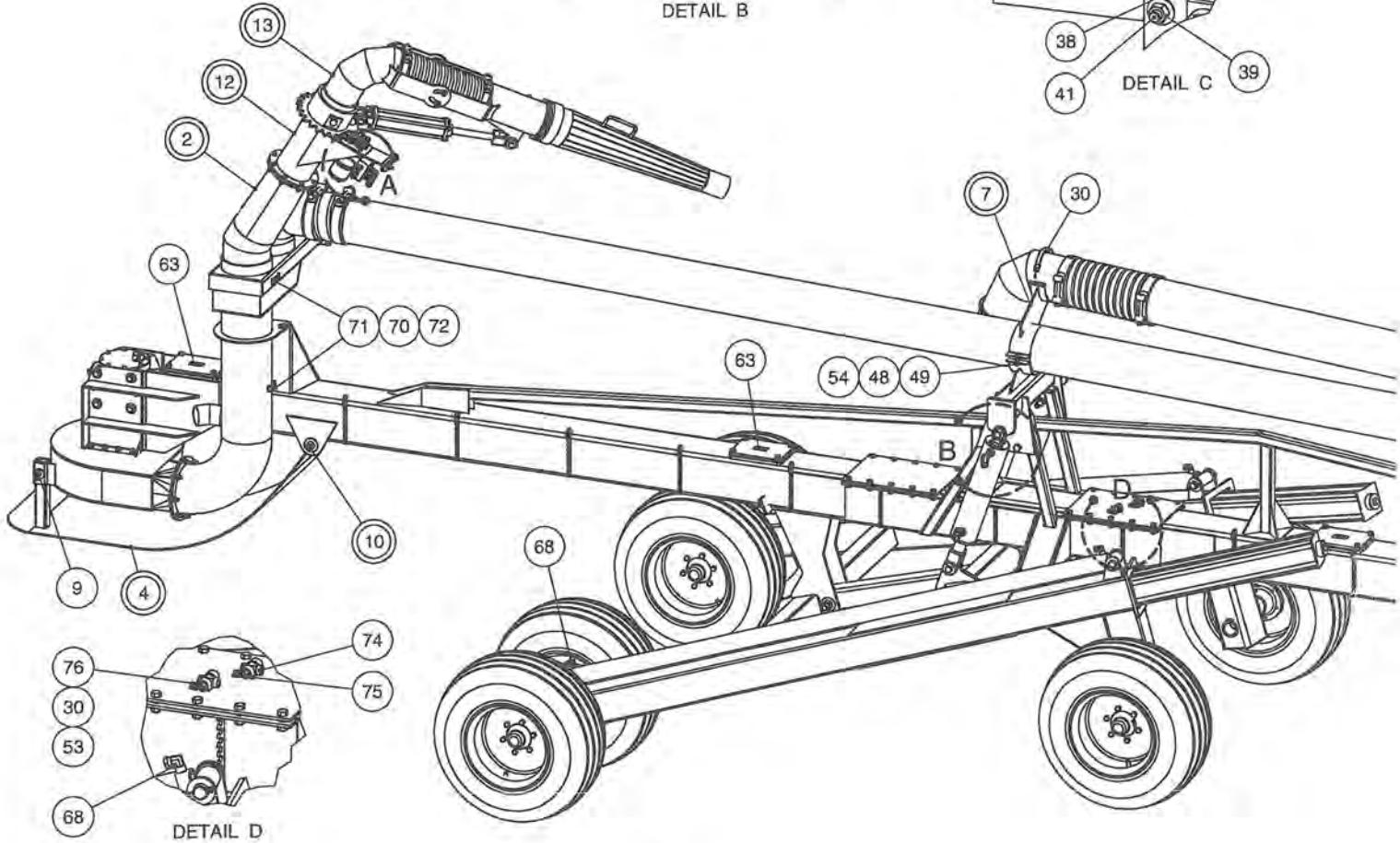
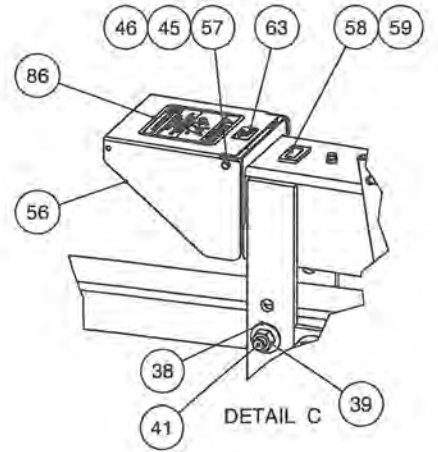
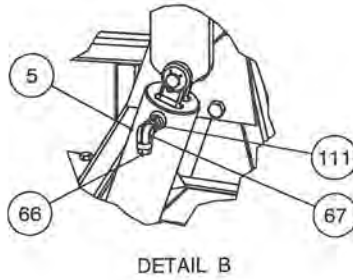
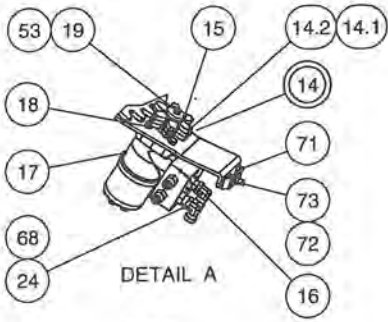
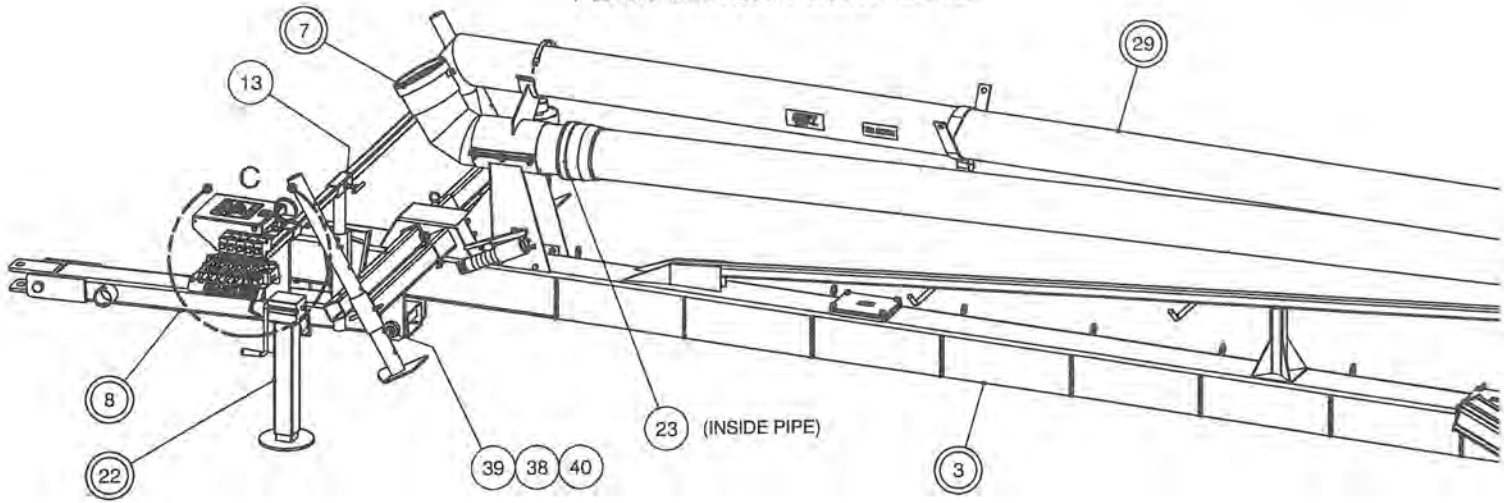
### HUSKY LIQUID MANURE PUMP

490-00-00-000

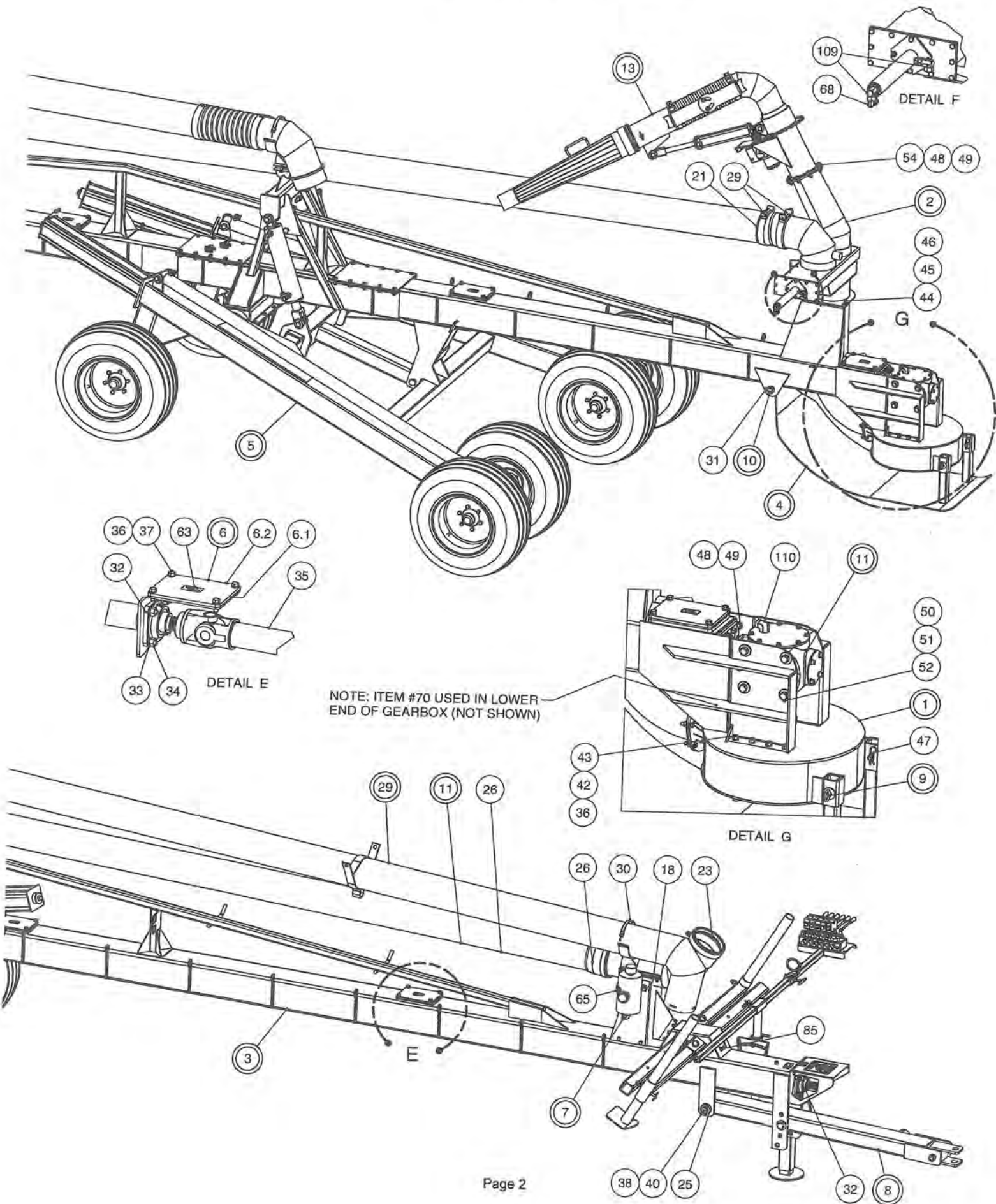
#### OPERATING INSTRUCTIONS:

1. Lagoon pump is designed to run at 1000 RPM and will consume up to 150 HP.
2. Always check PTO that both knuckles have equal amount of bend when working – if not adjust tongue angle accordingly.
3. Do not try and extend wheels if pump is under heavy crust as it may collapse the undercarriage.
4. Before operating the pump, extend stabilizer legs to support the pump while agitating. If not supported, pump could roll over while agitating.
5. Make sure discharge pipe is securely fastened to pump prior to pumping.
6. Do not over rev. tractor while pumping as discharge spout will lift into air. Always tie down discharge pipe.
7. Always remove pump from pit and wash off thoroughly after each use.
8. **EXTREME DANGER** – Never enter a dirty manure spreader or storage tank – one breath of hydrogen sulphide gas is enough to kill. Have a ladder in your pit, so that if by accident you should fall in, you can get out.
9. For open centre hydraulic tractors, use short plug on right hand end of hydraulic valve. For closed centre hydraulics use long plug with O ring. (Oil must flow in left hand end of valve).

# PL490 LAGOON COMPLETE



# PL490 LAGOON COMPLETE

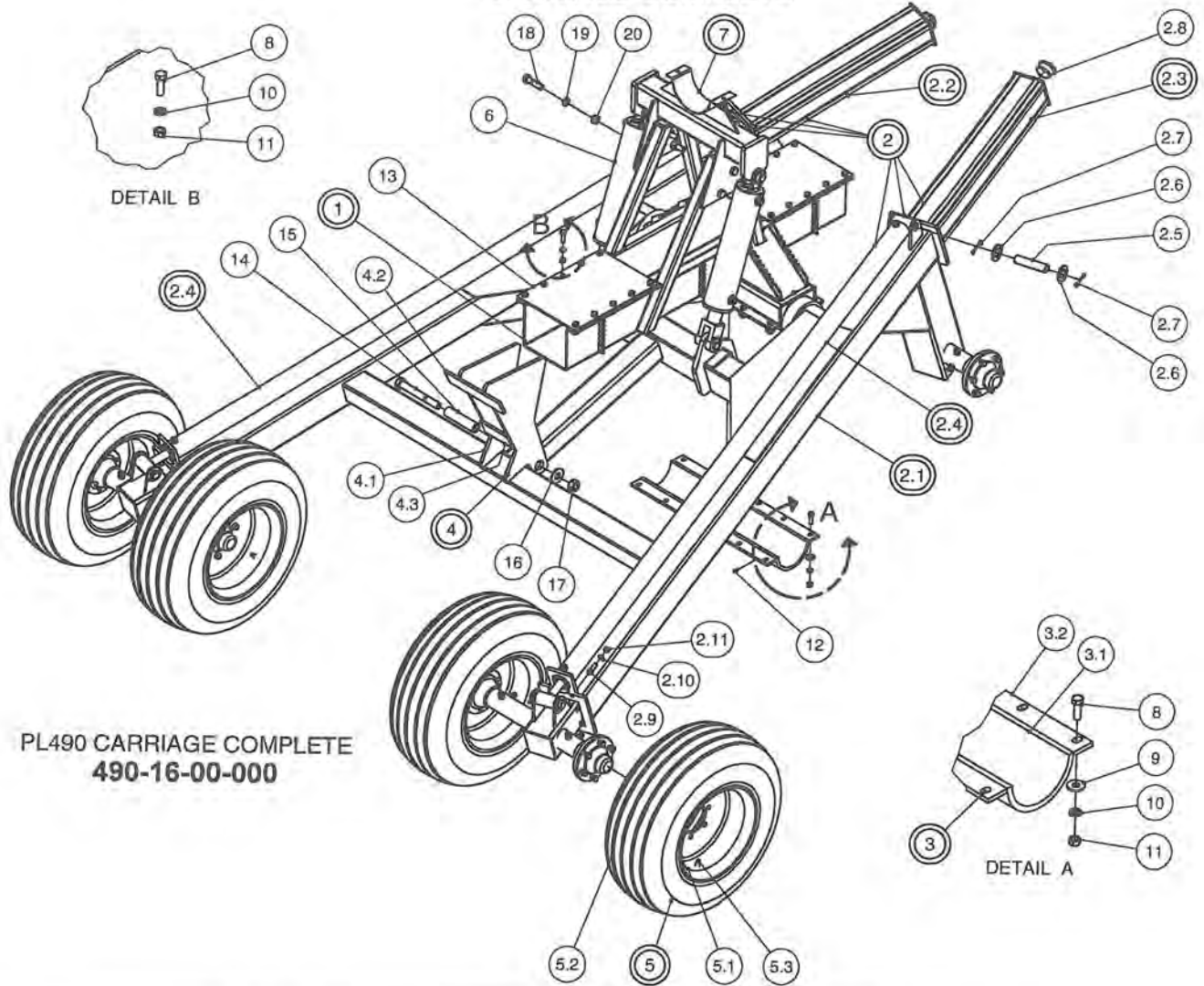




## PL490 LAGOON COMPLETE

PARTS LIST				PARTS LIST			
ITEM	PART NUMBER	DESCRIPTION	QTY	ITEM	PART NUMBER	DESCRIPTION	QTY
1	490-01-00-000	HOUSING ASSY	1	40	R08374	1" x 12" UNC HEX BOLT	1
2	490-02-00-000	VERTICAL DISCHARGE PIPE ASSY	1	41	R07692	1" x 11" UNC HEX BOLT	1
3	490-03-00-000	SHAFT TUBE ASSY	1	42	R07785	1/2 HEX NUT	20
4	490-09-00-000	SLIDE ASSY	1	43	R07742	1/2" x 1 1/4" CARRIAGE BOLT	8
5	490-16-00-000	CARRIAGE KIT COMPLETE	1	44	R07619	3/8 x 1 HEX BOLT	2
6	490-18-00-000	TUBE COVER PLATE ASSY	4	45	R07803	3/8 LOCK WASHER	4
6.1	490-18-00-035	RUBBER COVER	1	46	R07783	3/8 HEX NUT	4
6.2	490-18-00-036	COVER PLATE	1	47	R07948	5/32 HAIR PIN	6
7	490-21-00-000	OIL CANISTER KIT	1	48	R07804	7/16 LOCK WASHER	36
8	490-29-00-000	TONGUE AND HITCH KIT	1	49	R07784	7/16 HEX NUT	36
9	490-45-00-000	SMALL PIN ASSY-SLIDE	2	50	R08360	M16 LOCK WASHER	8
10	490-46-00-000	LONG PIN ASSY	1	51	R08349	M16 - 2.00 x 30 METRIC HEX BOLT	8
11	490-49-00-000	490 LAGOON GEARBOX COMPLETE	1	52	R07826	5/8 FLAT WASHER	8
12	296-06-06-000	VALVE TO ROTATOR PIPE ASSY	1	53	R07801	1/4 LOCK WASHER	7
13	291-16-00-000	AGITATOR KIT COMPLETE w/ CONE	1	54	R07629	7/16 x 1 1/2 HEX BOLT	24
14	290-25-00-000	6 TOOTH SPROCKET ASSY	1	55	R08334	5/16-18 x 2 SOCKET HD CAP SCREW	4
14.1	290-25-00-097	SPROCKET SLEEVE	1	56	296-00-00-033	PTO GUARD	1
14.2	290-25-00-096	6 TOOTH SPROCKET	3	57	R07675	3/8 x 1 1/4" HEX BOLT	2
15	290-00-00-098	SLEEVE CAP	1	58	R09071	SERIAL NUMBER PLATE	1
16	R22256	OVER CENTER VALVE - M&S MOTOR	1	59	R08152	6 x 1/4 PAN HD SOCKET SCREW	2
17	R22255	M&S HYDRAULIC MOTOR	1	60	R22254	6 BANK MONOBLOCK VALVE	1
18	R07670	3/8 x 7/8 HEX BOLT	4	61	R10351	GREASE GUN	1
19	R07601	1/4 x 1 HEX BOLT	1	62	R07782	5/16 HEX NUT	3
20	290-05-04-000	VALVE GATE ASSY	1	63	R09582	GREASE SYMBOL DECAL	6
21	290-00-00-120	8" CONNECTOR HOSE	1	64	R09661	GREASE DAILY 10 PUMPS - DECAL	1
22	357-14-00-000	8000 LB JACK KIT	1	65	R10333	OIL LEVEL DECAL	1
23	R02360	8" SQ RAINWAY/HUSKY GASKET	2	66	R02043	BUSHING 1/2 x 3/8	4
24	R21278	7/8-14 SAE M x 3/8 NPT F ADAPTER	2	67	R21367	1/2 X 90 HYD ELBOW	4
25	490-00-00-026	PIVOT PIN	1	68	R21328	3/8 NPT x 90 DEG SW. ADAPTER	7
26	490-19-00-000	ALUMINUM DISCHARGE PIPE ASSY	1	69	R21254	1/8M X 1/4F SWIVEL ADAPTOR	2
27	290-00-00-095	PIPE CUSHION	1	70	R08312	3/8 x 1 WELD STUD	2
28	270-05-00-000	STAND PIN ASSY	4	71	290-00-00-167	HYDRAULIC HOSE CLIP	3
29	244-11-00-000	20 FT DISCHARGE PIPE KIT	1	72	R07794	3/8 FLANGE NUT	3
30	R07781	1/4 HEX NUT	4	73	R07620	3/8 x 1 1/2 HEX BOLT	1
31	R08040	2 - 18 LYNCH PIN	1	74	R21395	3/8 NPT S.W. FEMALE TEE	2
32	R20180	45mm - 4 BOLT FLANGE BEARING	4	75	R09778	3/4 DIAMETER STRAP	4
33	R07806	5/8 LOCK WASHER	16	76	R08301	1/4 x 20 UNC x 1/2" WELD STUD	4
34	R07786	5/8 HEX NUT	16	77	R22251	VALVE HANDLE ASSY	6
35	R22451	#8 UNSHIELDED DRIVELINE - 1 3/4-27	4	78	296-48-00-000	PIVOT ASSY-LONG	1
36	R07805	1/2 LOCK WASHER	37	79	R07619	3/8 x 1 UNC HEX BOLT	3
37	R07674	1/2 x 1 1/4 HEX BOLT	16	80	R07803	3/8" LOCK WASHER	3
38	R07828	1" FLAT WASHER	4	81	R07783	3/8-16 UNC HEX NUT	3
39	R07882	1" - 2 WAY LOCK NUT	2				

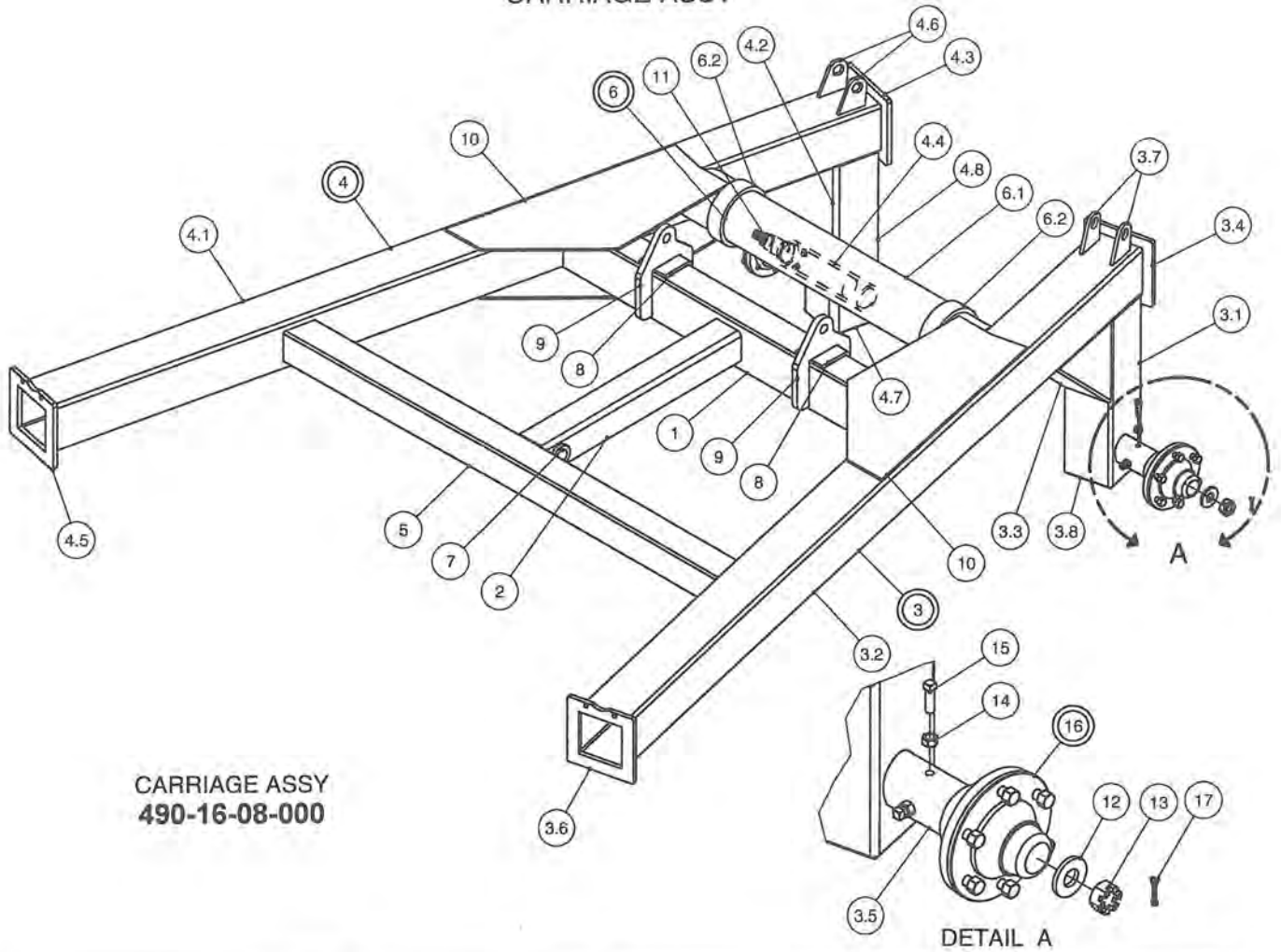
## CARRIAGE COMPLETE



**PL490 CARRIAGE COMPLETE  
490-16-00-000**

PARTS LIST				PARTS LIST			
ITEM	PART NUMBER	DESCRIPTION	QTY	ITEM	PART NUMBER	DESCRIPTION	QTY
1	490-16-04-000	SADDLE & CYLINDER BRKT ASSY	1	5	290-31-00-000	11L x 15 TIRE AND WHEEL ASSY	6
2	490-16-01-000	CARRIAGE CYLINDER & LEGS ASSY	1	5.1	R20045	15 x 8 x 6 BOLT WHEEL	1
2.1	490-16-08-000	CARRIAGE ASSY	1	5.2	R20043	11L x 15 RIB IMP 6 PL TIRE	1
2.2	490-16-05-000	LH CARRIAGE INNER LEG ASSY	1	5.3	R20020	VALVE STEM	1
2.3	490-16-02-000	RH CARRIAGE INNER LEG ASSY	1	6	R22340	40WD16-200 HYD CYLINDER	2
2.4	490-23-00-000	8FT HYDRAULIC CYLINDER KIT	2	7	490-16-11-000	TIE BAR AND TUBE HOLDER ASSY	1
2.5	490-16-01-066	CYLINDER PIN	4	8	R07638	1/2 x 1 1/2 HEX BOLT	32
2.6	R07830	1 1/4" FLAT WASHER	8	9	R07825	1/2" FLAT WASHER	12
2.7	R08016	1/4 x 2 COTTER PIN	8	10	R07805	1/2 LOCK WASHER	32
2.8	R02285	2" ABS PLUG	2	11	R07785	1/2 HEX NUT	32
2.9	R07638	1/2 x 1 1/2 HEX BOLT	4	12	R08183	1/4" - 28 STRAIGHT GREASE FITTING	3
2.10	R07805	1/2 LOCK WASHER	4	13	490-16-00-099	AXLE HOLD DOWN PLATE	2
2.11	R07785	1/2 HEX NUT	4	14	R07669	1 x 8" HEX BOLT	1
3	490-04-00-000	LOWER CARRIAGE MOUNT ASSY	1	15	490-16-00-143	CARRIAGE LOCK PIVOT SLEEVE	1
3.1	490-04-00-138	LOWER HALF TUBE	1	16	R07828	1" FLAT WASHER	1
3.2	490-04-00-034	LOWER CARRIAGE STRAP	2	17	R07882	1" - 2 WAY LOCK NUT	1
4	490-28-00-000	CARRIAGE LOCK ASSY	1	18	R08429	3/4 x 3" HEX BOLT-GR 8	6
4.1	490-28-00-140	CARRIAGE LOCK SIDE PLATE	2	19	R07807	3/4" LOCK WASHER	6
4.2	490-28-00-257	UPPER STOP PLATE	1	20	R07787	3/4-10 UNC HEX NUT	6
4.3	490-28-00-141	STOP PLATE	1				

# CARRIAGE ASSY



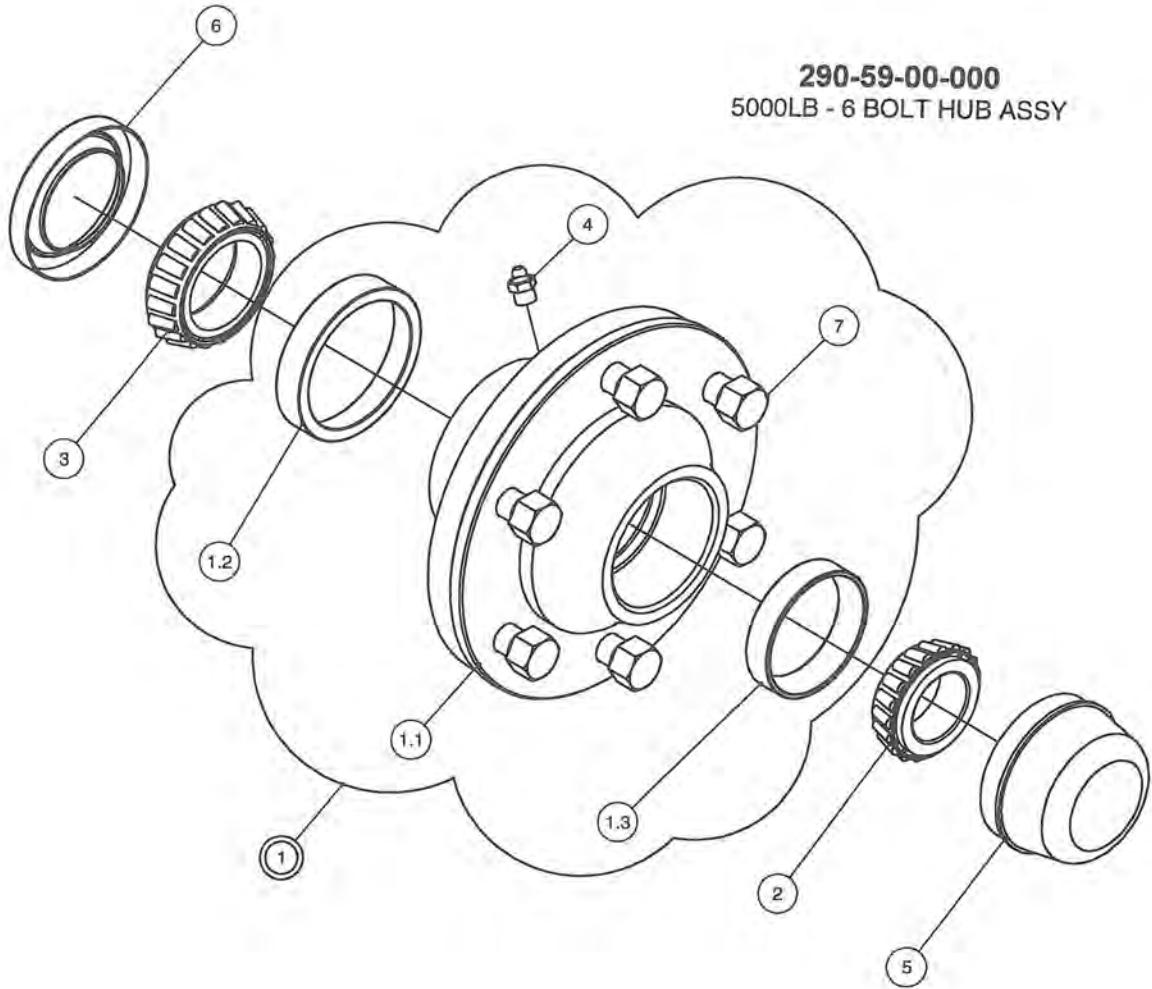
**CARRIAGE ASSY  
490-16-08-000**

**DETAIL A**

PARTS LIST				PARTS LIST			
ITEM	PART NUMBER	DESCRIPTION	QTY	ITEM	PART NUMBER	DESCRIPTION	QTY
1	490-16-08-081	CYLINDER BRKTS CROSS MEMBER	1	4.7	490-16-03-070	END CAP	1
2	490-16-08-085	VERTICAL SUPPORT TUBE	1	4.8	490-16-06-073	RH SPINDLE HOLDER TUBE	1
3	490-16-03-000	LH CARRIAGE OUTER LEG ASSY	1	5	490-16-08-077	CROSS BRACE	1
3.1	490-16-03-067	SPINDLE HOLDER TUBE	1	6	490-16-07-000	CARRIAGE CROSS TUBE ASSY	1
3.2	490-16-03-063	CARRIAGE OUTER LEG	1	6.1	490-16-07-074	CROSS TUBE	1
3.3	490-16-03-068	SPINDLE HOLDER TUBE GUSSET	1	6.2	490-16-07-076	CYLINDER LUG SLEEVE	2
3.4	490-16-03-130	UPPER CLEANER PLATE	1	7	490-16-08-142	CARRIAGE LOCK INNER SLEEVE	1
3.5	490-16-03-069	UPPER SPINDLE SLEEVE	1	8	490-16-08-186	REINFORCING ANGLE	2
3.6	490-16-03-065	CLEANER PLATE	1	9	490-16-08-079	CYLINDER LUG	2
3.7	490-16-08-064	LONG CYLINDER LUG	2	10	490-16-08-080	CARRIAGE GUSSET	4
3.8	490-16-03-070	END CAP	1	11	490-16-00-082	LOWER SPINDLE	2
4	490-16-06-000	RH CARRIAGE OUTER LEG ASSY	1	12	R20118	SPINDLE WASHER	2
4.1	490-16-03-063	CARRIAGE OUTER LEG	1	13	R20117	SPINDLE NUT	2
4.2	490-16-03-068	SPINDLE HOLDER TUBE GUSSET	1	14	R07785	1/2 HEX NUT	4
4.3	490-16-03-130	UPPER CLEANER PLATE	1	15	R07923	1/2 x 1 1/2" SQ HD SET SCREW	4
4.4	490-16-03-069	UPPER SPINDLE SLEEVE	1	16	290-59-00-000	5000LB - 6 BOLT HUB ASSY	2
4.5	490-16-03-065	CLEANER PLATE	1	17	R08013	3/16 x 2 COTTER PIN	2
4.6	490-16-08-064	LONG CYLINDER LUG	2				

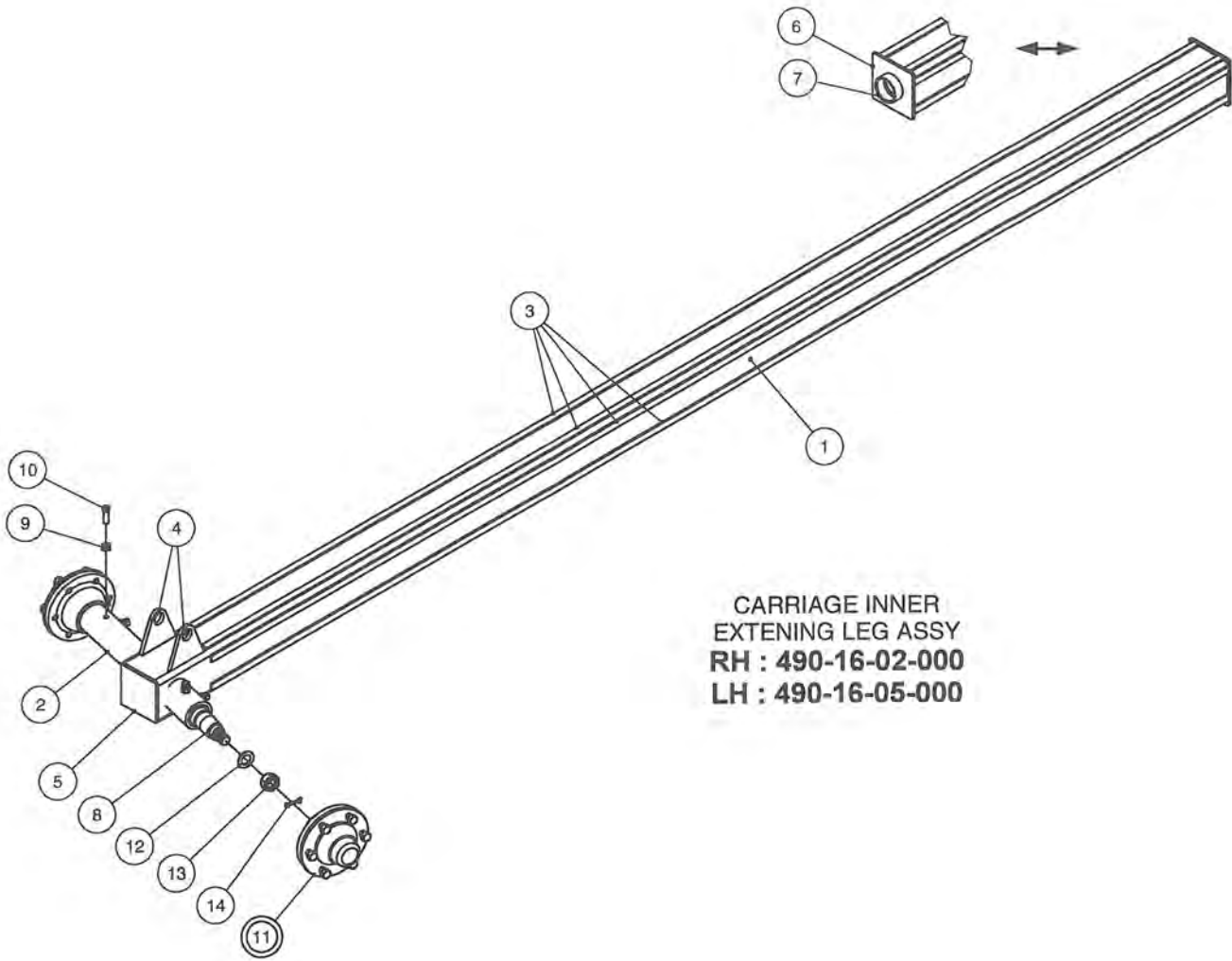
# 5000LB 6 BOLT HUB ASSY

**290-59-00-000**  
5000LB - 6 BOLT HUB ASSY



PARTS LIST			
ITEM	PART NUMBER	DESCRIPTION	QTY
1	R22055	5000LB HUB w/ CUPS	1
1.1	R22054	5000LB HUB - 6 BOLT	1
1.2	R22058	INNER CUP LM603049	1
1.3	R22060	OUTER CUP LM48510	1
2	R22061	OUTER CONE LM48548	1
3	R22059	INNER CONE LM603049	1
4	R08186	1/8" NPT GREASE FTG	1
5	R22062	DUST CAP	1
6	R22063	SEAL CR2004	1
7	R20110	9/16 UNF WHEEL BOLT	6

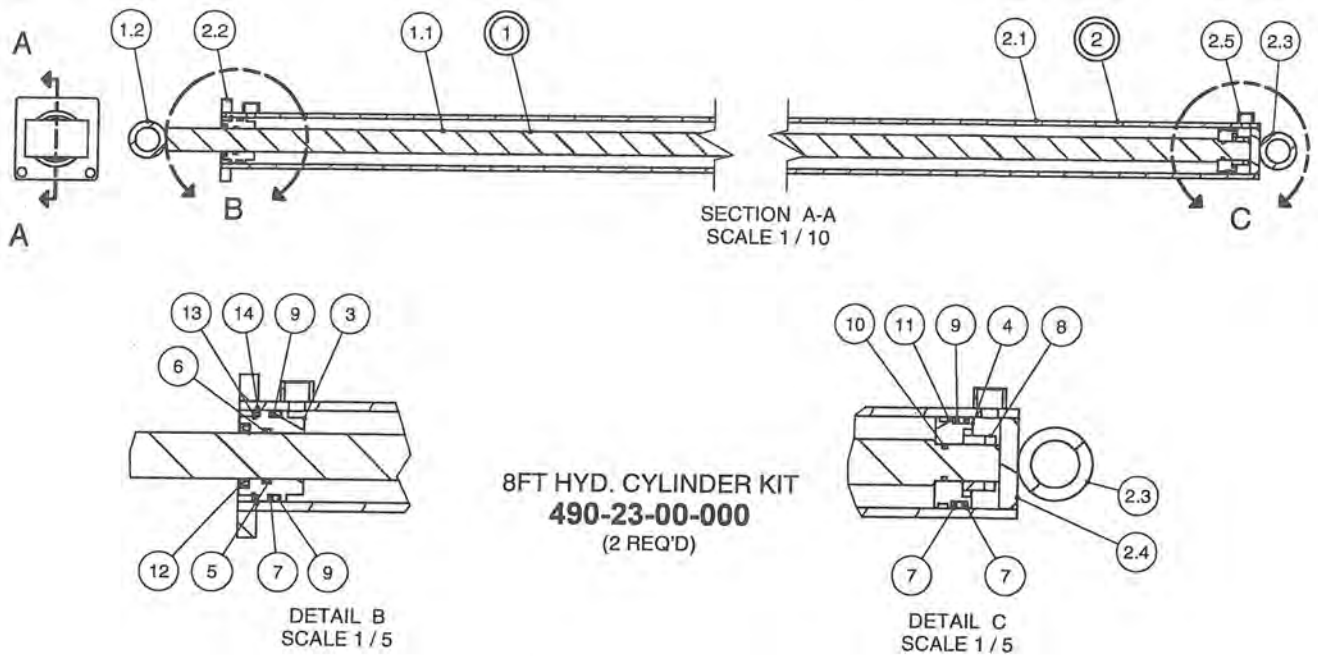
## EXTENDING LEG ASSY



PARTS LIST			
ITEM	PART NUMBER	DESCRIPTION	QTY
1	490-16-02-059	CARRIAGE INNER LEG	1
2	490-16-02-060	SPINDLE SLEEVE	1
3	490-16-02-062	GUIDE BAR	8
4	490-16-02-114	LOWER CYLINDER LUG	2
5	490-16-02-144	LOWER CAP	1
6	490-16-02-145	UPPER CAP	1
7	R02948	2" HALF COULING	1
8	490-16-00-082	LOWER SPINDLE	2
9	R07785	1/2 HEX NUT	4
10	R07923	1/2 x 1 1/2" SQ HD SET SCREW	4
11	290-59-00-000	5000LB - 6 BOLT HUB ASSY	2
12	R20154	SPINDLE WASHER	2
13	R20117	SPINDLE NUT	2
14	R08013	3/16 x 2 COTTER PIN	2



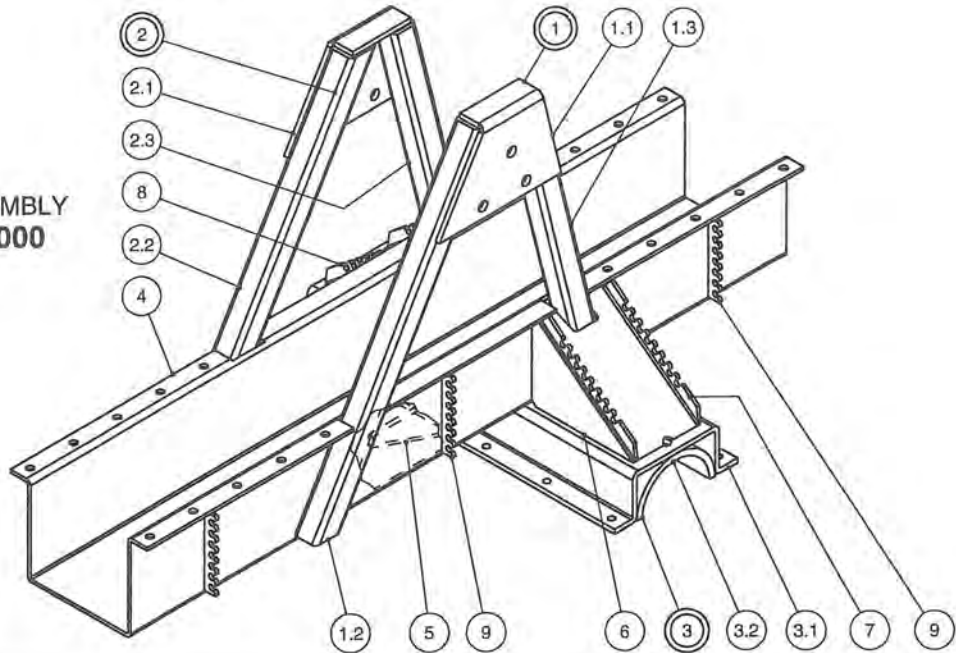
## EXTENDING LEG CYLINDER ASSY



PARTS LIST			
ITEM	PART NUMBER	DESCRIPTION	QTY
1	490-23-01-000	8FT CYLINDER SHAFT ASSY	1
1.1	490-23-01-121	CYLINDER SHAFT - 8' CYLINDER	1
1.2	490-17-01-095	LOWER PIN TUBE	1
2	490-23-02-000	8FT HYD. CYLINDER TUBE ASSY	1
2.1	490-23-02-122	OUTER TUBE - 8FT CYLINDER	1
2.2	490-17-02-093	CYLINDER SUPPORT	1
2.3	490-17-01-095	LOWER PIN TUBE	1
2.4	490-17-02-091	END CAP	1
2.5	R02068	3/8" HALF COUPLING	2
3	490-17-00-096	END BLOCK	1
4	490-17-00-097	PISTON	1
5	R20866	O-RING #11-218	1
6	R20867	BACKUP RING #8-218	1
7	R21027	OUTER BACKUP #330	3
8	R08346	1"-14 UNF STOVER LOCK NUT	1
9	R09900	O-RING #330 - 2 1/8" x 2 1/2" x 3/16"	2
10	R20771	O-RING #11-210	1
11	R21028	OUTER WEAR RING - SPLIT-2 1/2 x 1/4 x 1/8	1
12	R21026	ROD WIPER	1
13	R08344	INTERNAL SPIROL RET. RING 2.5"	1
14	R08345	EXTERNAL SPIROL RET. RING 2.5"	1

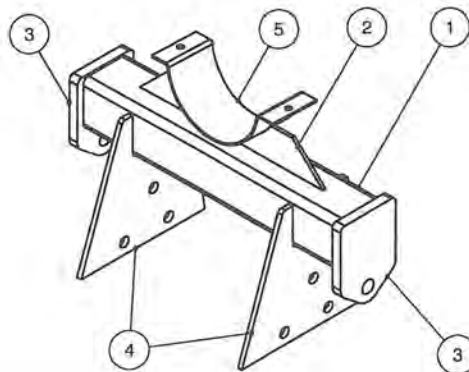
### SADDLE & TIE BAR ASSY

**SADDLE ASSEMBLY  
490-16-04-000**



PARTS LIST				PARTS LIST			
ITEM	PART NUMBER	DESCRIPTION	QTY	ITEM	PART NUMBER	DESCRIPTION	QTY
1	490-16-09-000	RH CYLINDER MOUNT ASSY	1	3.1	490-16-04-025	TUBE COVER	1
1.1	490-16-09-183	RH TIE PLATE	1	3.2	490-16-04-024	HALF TUBE	1
1.2	490-16-09-109	LOWER LEG	1	4	490-16-04-023	SADDLE	1
1.3	490-16-09-110	UPPER LEG	1	5	490-16-04-028	LOWER GUSSET	2
2	490-16-10-000	LH CYLINDER MOUNT ASSY	1	6	490-16-04-027	GUSSET	4
2.1	490-16-10-184	LH TIE PLATE	1	7	490-16-04-132	RH CAP w/ HOSE HOLDER	1
2.2	490-16-09-109	LOWER LEG	1	8	490-16-04-133	LH CAP w/ HOSE HOLDER	1
2.3	490-16-09-110	UPPER LEG	1	9	490-03-00-011	HYDRAULIC HOSE HOLDER	6
3	490-16-12-000	UPPER HALF TUBE ASSY	1				

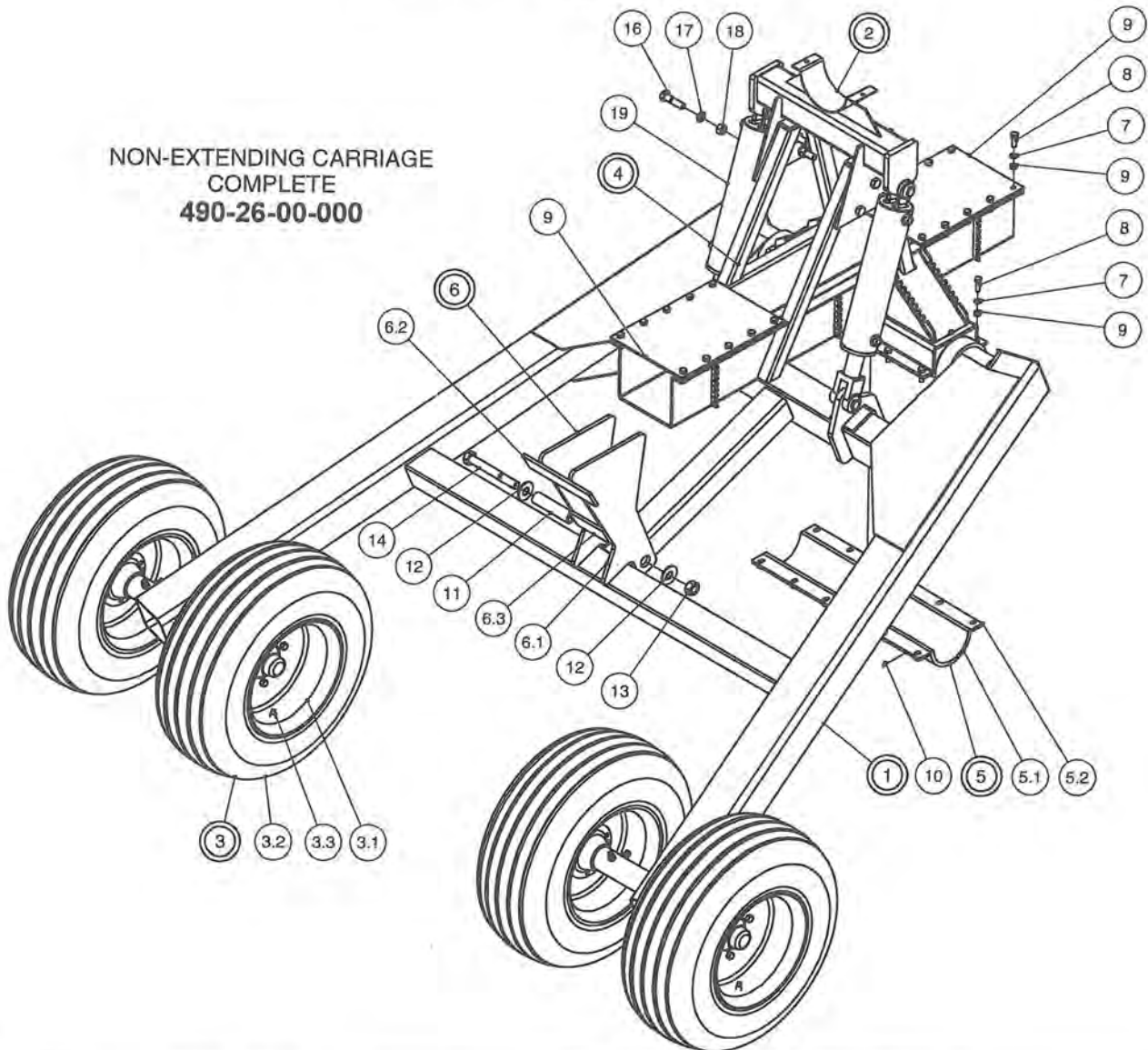
**TIE BAR ASSEMBLY  
490-16-11-000**



PARTS LIST			
ITEM	PART NUMBER	DESCRIPTION	QTY
1	490-16-11-180	CROSS TUBE	1
2	490-16-11-181	SUPPORT HOLDER	1
3	490-16-11-182	CYLINDER LUG	2
4	490-16-11-185	ATTACHMENT PLATE	2
5	290-23-00-093	DISCHARGE SUPPORT	1

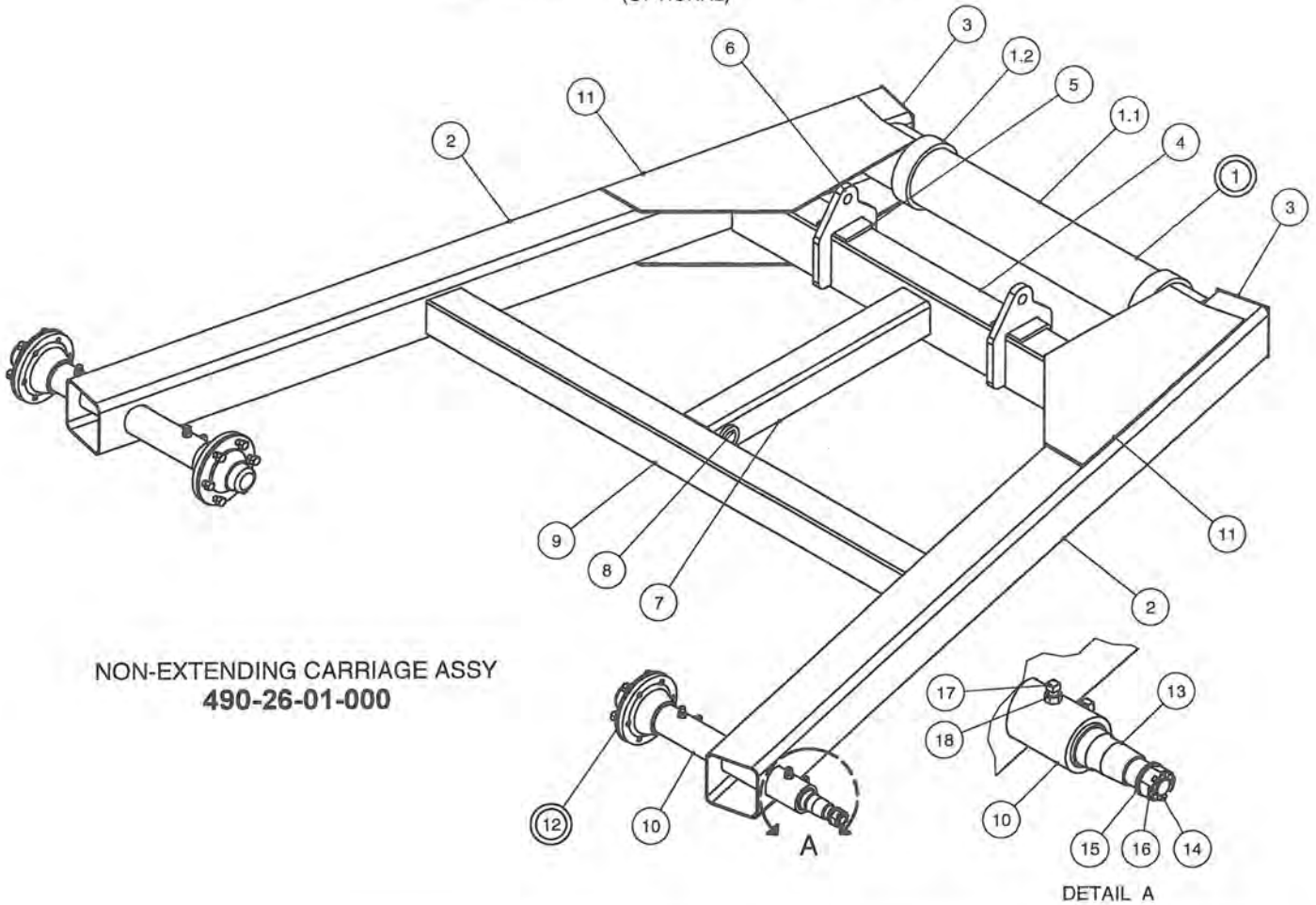
## NON-EXTENDING CARRIAGE COMPLETE (OPTIONAL)

NON-EXTENDING CARRIAGE  
COMPLETE  
490-26-00-000



PARTS LIST				PARTS LIST			
ITEM	PART NUMBER	DESCRIPTION	QTY	ITEM	PART NUMBER	DESCRIPTION	QTY
1	490-26-01-000	CARRIAGE ASSY-NON EXTENDING	1	7	R07805	1/2 LOCK WASHER	32
2	490-16-11-000	TIE BAR AND TUBE HOLDER ASSY	1	8	R07638	1/2 x 1 1/2 HEX BOLT	32
3	290-31-00-000	11L x 15 TIRE AND WHEEL ASSY	4	9	490-16-00-099	AXLE HOLD DOWN PLATE	2
3.1	R20045	15 x 8 x 6 BOLT WHEEL	1	10	R08183	1/4" - 28 STRAIGHT GREASE FITTING	3
3.2	R20043	11L x 15 RIB IMP 6 PL TIRE	1	11	490-16-00-143	CARRIAGE LOCK PIVOT SLEEVE	1
3.3	R20020	VALVE STEM	1	12	R07828	1" FLAT WASHER	2
4	490-16-04-000	SADDLE & CYLINDER BRKT ASSY	1	13	R07882	1" - 2 WAY LOCK NUT	1
5	490-04-00-000	LOWER CARRIAGE MOUNT ASSY	1	14	R07669	1 x 8" HEX BOLT	1
5.1	490-04-00-138	LOWER HALF TUBE	1	15	R07785	1/2 HEX NUT	32
5.2	490-04-00-034	LOWER CARRIAGE STRAP	2	16	R08429	3/4 x 3" HEX BOLT-GR 8	6
6	490-28-00-000	CARRIAGE LOCK ASSY	1	17	R07807	3/4" LOCK WASHER	6
6.1	490-28-00-140	CARRIAGE LOCK SIDE PLATE	2	18	R07787	3/4-10 UNC HEX NUT	6
6.2	490-28-00-257	UPPER STOP PLATE	1	19	R22340	40WD16-200 HYD CYLINDER	2
6.3	490-28-00-141	STOP PLATE	1				

**NON EXTENDING CARRIAGE ASSY**  
(OPTIONAL)



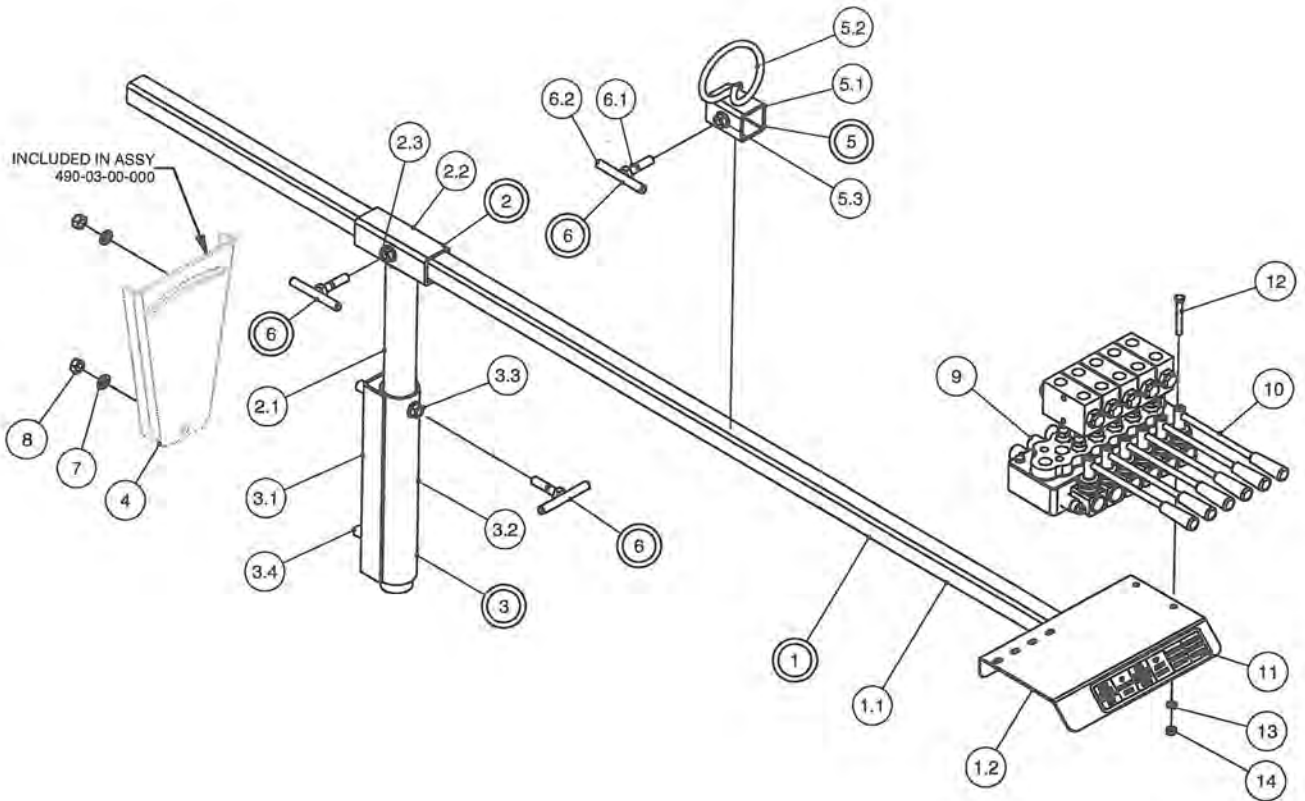
**NON-EXTENDING CARRIAGE ASSY**  
**490-26-01-000**

DETAIL A

PARTS LIST			
ITEM	PART NUMBER	DESCRIPTION	QTY
1	490-16-07-000	CARRIAGE CROSS TUBE ASSY	1
1.1	490-16-07-074	CROSS TUBE	1
1.2	490-16-07-076	CYLINDER LUG SLEEVE	2
2	490-26-01-128	CARRIAGE LEG	2
3	490-26-01-129	LEG CAP	2
4	490-16-08-081	CYLINDER BRKTS CROSS MEMBER	1
5	490-16-08-186	REINFORCING ANGLE	2
6	490-16-08-079	CYLINDER LUG	2
7	490-16-08-085	VERTICAL SUPPORT TUBE	1
8	490-16-08-142	CARRIAGE LOCK INNER SLEEVE	1
9	490-16-08-077	CROSS BRACE	1
10	490-16-02-060	SPINDLE SLEEVE	2
11	490-16-08-080	CARRIAGE GUSSET	4
12	290-59-00-000	5000LB - 6 BOLT HUB ASSY	4
13	490-16-00-082	LOWER SPINDLE	4
14	R20117	SPINDLE NUT	4
15	R20154	SPINDLE WASHER	4
16	R08013	3/16 x 2 COTTER PIN	4
17	R07923	1/2 x 1 1/2" SQ HD SET SCREW	8
18	R07785	1/2 HEX NUT	8

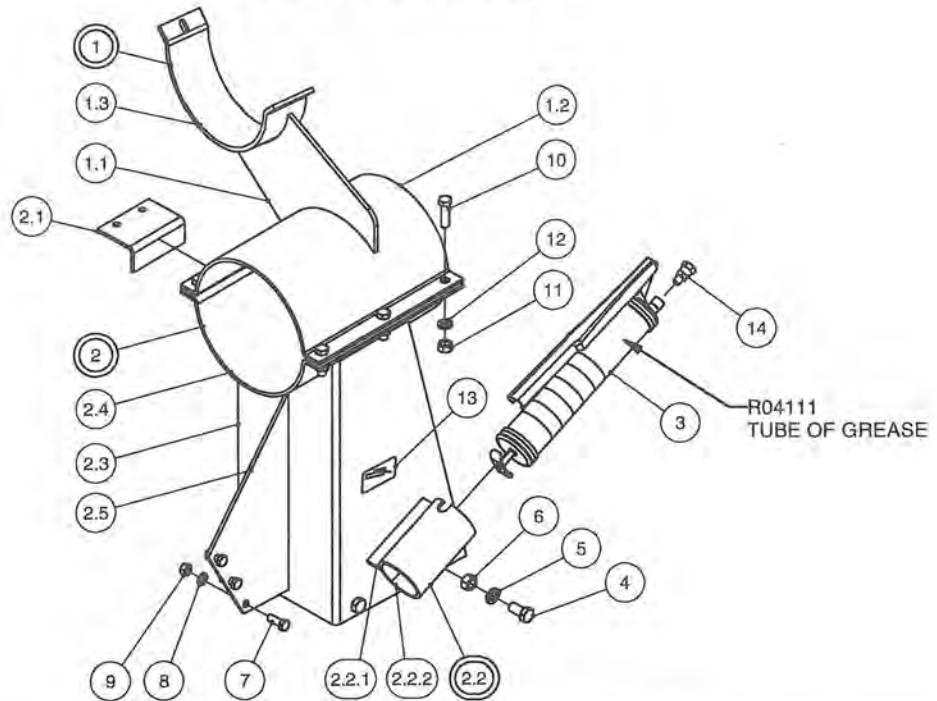


# CONTROL BANK & HOLDER



PARTS LIST				PARTS LIST			
ITEM	PART NUMBER	DESCRIPTION	QTY	ITEM	PART NUMBER	DESCRIPTION	QTY
1	490-25-00-000	CONTROL BANK HOLDER ASSY	1	5.1	296-25-00-089	HOSE HOLDER SLEEVE	1
1.1	296-24-00-087	CONTROL HOLDER ARM	1	5.2	296-25-00-090	HYD HOSE HOLDER	1
1.2	490-25-00-123	CONTROL BANK MOUNT PLATE	1	5.3	R07795	1/2" UNC FLANGE NUT	1
2	296-23-00-000	CONTROL BANK HOLDER ADJ. ASSY	1	6	296-22-00-000	TEE HANDLE ASSY	3
2.1	296-23-00-085	ADJUSTABLE VERTICAL BAR	1	6.1	R07639	1/2 x 2 HEX BOLT	1
2.2	296-23-00-086	ADJUSTMENT SLEEVE	1	6.2	296-22-00-084	TEE HANDLE	1
2.3	R07795	1/2" UNC FLANGE NUT	1	7	R07805	1/2" LOCK WASHER	2
3	296-48-00-000	PIVOT ASSY-LONG	1	8	R07785	1/2-13 UNC HEX NUT	2
3.1	296-48-00-132	PIVOT CHANNEL	1	9	R22254	6 BANK MONOBLOCK VALVE	1
3.2	296-48-00-133	PIVOT TUBE	1	10	R22251	VALVE HANDLE ASSY	6
3.3	R07795	1/2" UNC FLANGE NUT	1	11	R10332	PL490 CONTROL VALVE STICKER	1
3.4	R07673	5/8 x 1 1/4" UNC HEX BOLT	2	12	R07614	5/16 x 2 1/2 UNC HEX BOLT	3
4	296-01-00-131	PIVOT PLATE	1	13	R07802	5/16" LOCK WASHER	3
5	296-25-00-000	ADJUSTABLE HYD HOSE HOLDER ASSY	1	14	R07782	5/16-18 UNC HEX NUT	3

## DISCHARGE PIPE HOLDER



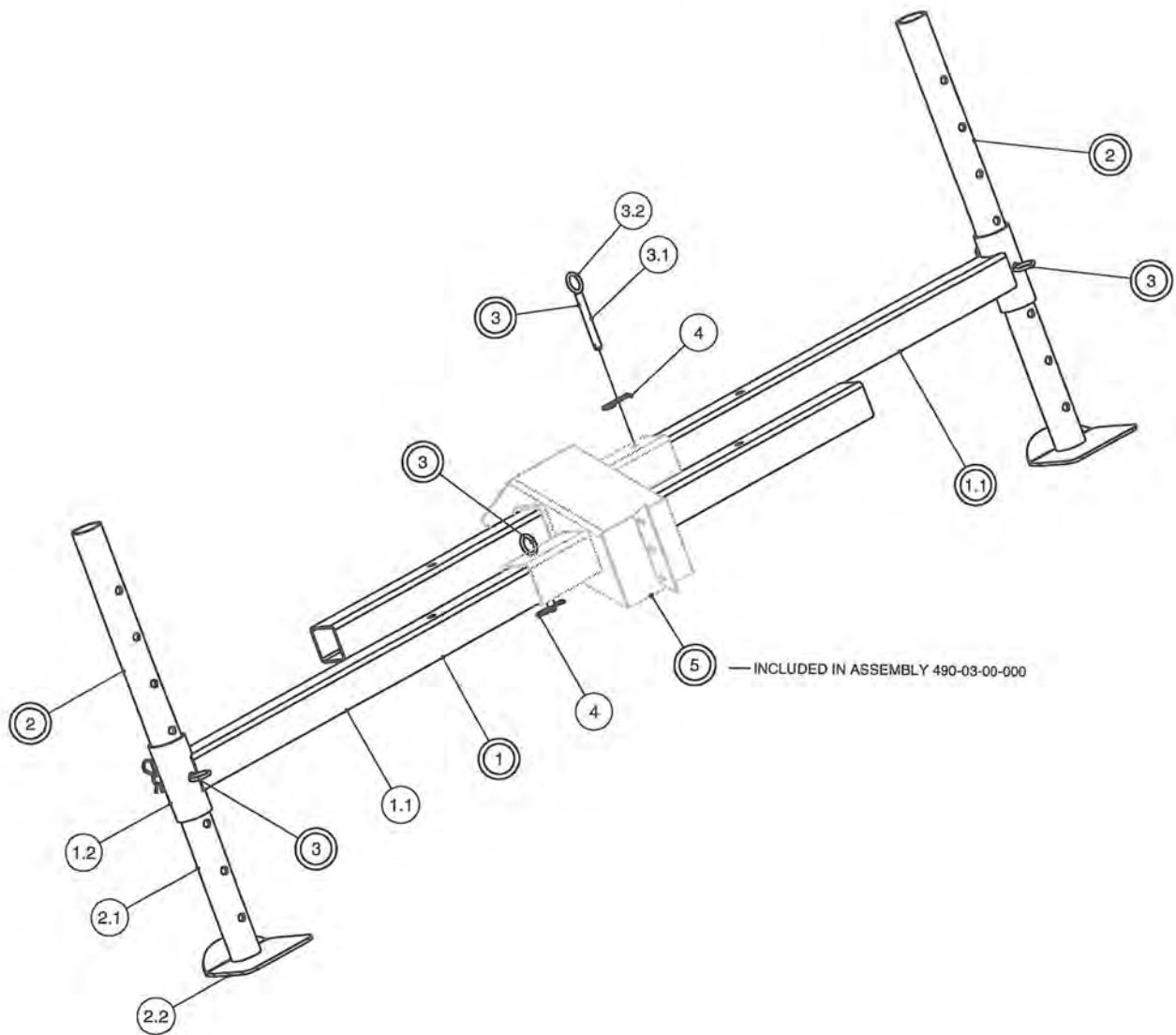
PARTS LIST				PARTS LIST			
ITEM	PART NUMBER	DESCRIPTION	QTY	ITEM	PART NUMBER	DESCRIPTION	QTY
1	490-11-00-000	UPPER DISCHARGE PIPE HOLDER ASSY	1	3	R10351	GREASE GUN	1
1.1	490-11-00-046	UPPER DISCH. ATTACHMENT PLATE	1	4	R07637	1/2 x 1 UNC HEX BOLT	4
1.2	242-00-00-221	CONE CLAMP ON BRKT	1	5	R07805	1/2" LOCK WASHER	4
1.3	270-01-07-015	CENTER DISCHARGE PIPE HOLDER	1	6	R07785	1/2-13 UNC HEX NUT	4
2	490-47-00-000	UPPER DISCH. PIPE HOLDER ASSY-8"	1	7	R07619	3/8 x 1 UNC HEX BOLT	3
2.1	490-21-00-106	ATTACHMENT BRKT	1	8	R07803	3/8" LOCK WASHER	3
2.2	291-07-08-000	GREASE GUN MOUNT PLATE	1	9	R07783	3/8-16 UNC HEX NUT	3
2.2.1	291-07-08-310	GREASE GUN HOLDER STANDOFF	1	10	R07629	7/16 x 1 1/2 UNC HEX BOLT	6
2.2.2	291-07-08-309	GREASE GUN HOLDER	1	11	R07784	7/16-14 UNC HEX NUT	6
2.3	490-47-00-198	TOP DISCHARGE SUPPORT-8" PIPE	1	12	R07804	7/16" LOCK WASHER	6
2.4	242-00-00-221	CONE CLAMP ON BRKT	1	13	R09661	GREASE DAILY 10 PUMPS - DECAL	1
2.5	490-47-00-252	PIPE HOLDER GUSSET	1	14	R21254	1/8M X 1/4 SWIVEL ADAPTOR	1

### LOWER DISCHARGE PIPE HOLDER ASSY 490-10-00-000



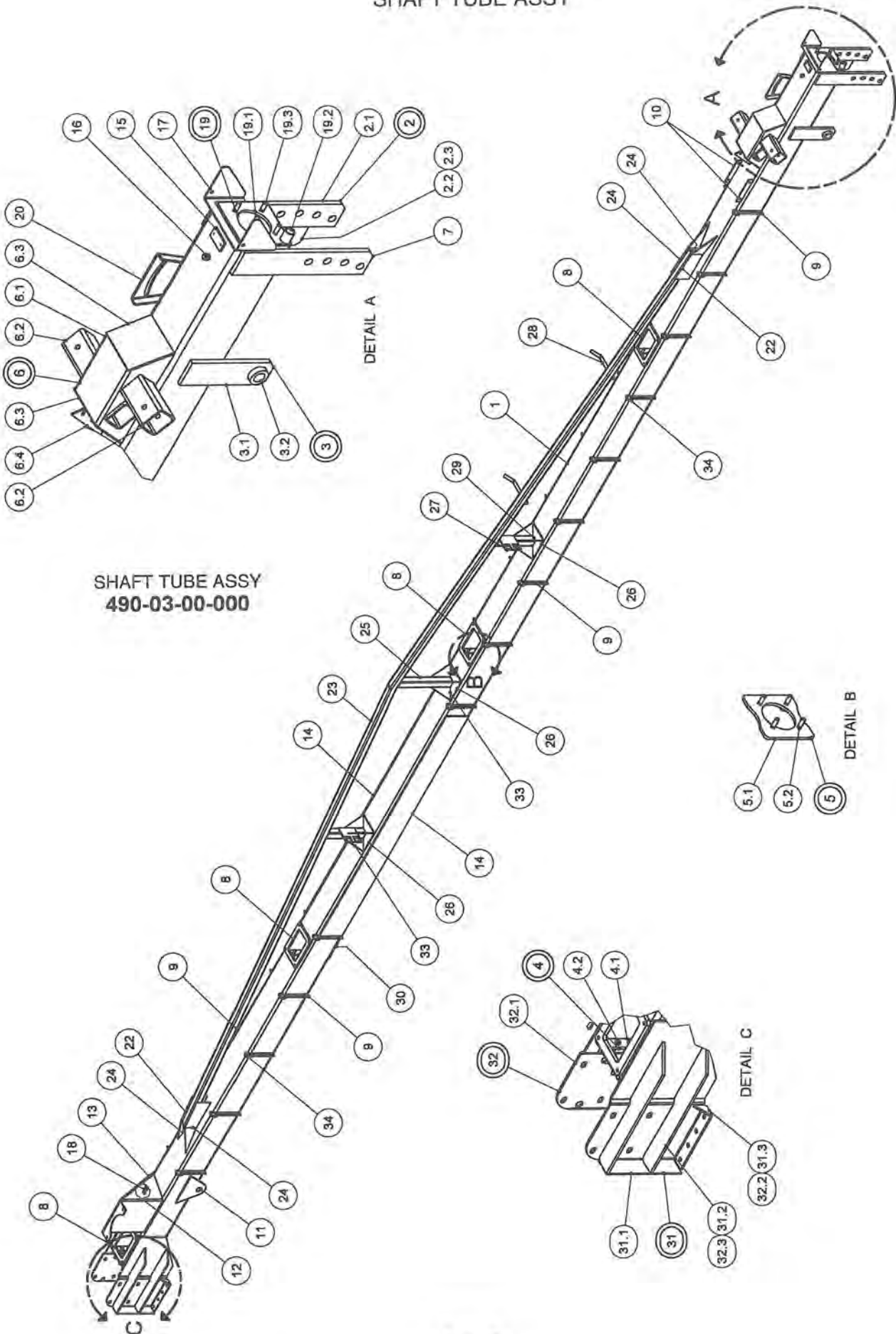
PARTS LIST			
ITEM	PART NUMBER	DESCRIPTION	QTY
1	490-10-00-044	LOWER DISCHARGE ATTACHMENT PLATE	1
2	290-23-00-093	DISCHARGE SUPPORT	1
3	270-01-07-015	CENTER DISCHARGE PIPE HOLDER	1

## STABILIZER LEGS



PARTS LIST			
ITEM	PART NUMBER	DESCRIPTION	QTY
1	490-27-00-000	STABILIZER ARM ASSY	2
1.1	490-27-00-137	STABILIZER ARM	1
1.2	270-01-02-005	STAND SLEEVE	1
2	290-16-00-000	STABILIZER LEG ASSY	2
2.1	290-16-00-087	STABILIZER LEG	1
2.2	290-16-00-150	FOOT FOR STABILIZER LEG	1
3	270-05-00-000	STAND PIN ASSY	4
3.1	270-05-00-043	STAND PIN	1
3.2	R07925	1/4 x 1 1/2 PLATED RING	1
4	R07948	5/32 HAIR PIN	4
5	490-03-03-000	STABILIZER ARM SUPPORT TUBE ASSY	1

# SHAFT TUBE ASSY



SHAFT TUBE ASSY  
490-03-00-000

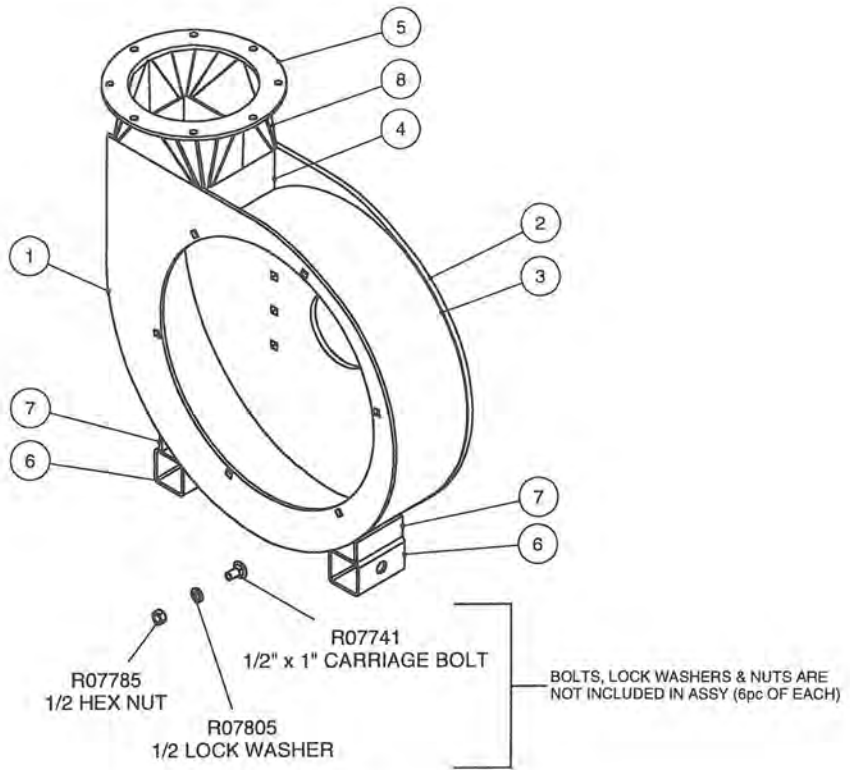


## SHAFT TUBE ASSY

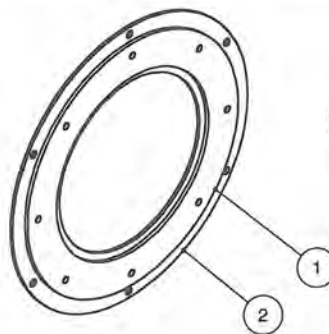
PARTS LIST				PARTS LIST			
ITEM	PART NUMBER	DESCRIPTION	QTY	ITEM	PART NUMBER	DESCRIPTION	QTY
1	490-03-00-016	SHAFT TUBE	1	16	R20685	3/8" NPT VENT PLUG	1
2	490-03-04-000	ADJUSTMENT ARM ASSY	1	17	490-03-00-021	PTO GUARD MOUNT	1
2.1	490-03-00-033	TONGUE ADJUSTMENT ARM	1	18	490-03-00-190	2 HOSE HOLDER BRKT	1
2.2	296-01-06-101	JACK BRKT	1	19	490-03-09-000	TOP BEARING HOLDER ASSY	1
2.3	364-35-00-245	TONGUE JACK BRKT	1	19.1	490-03-09-217	TOP FLANGE BEARING HOLDER	1
3	490-03-05-000	PIVOT ARM ASSY	2	19.2	R02060	3/4" PIPE COUPLING	1
3.1	296-01-01-005	PIVOT ARM	1	19.3	R07639	1/2 x 2 HEX BOLT	4
3.2	296-01-01-006	PIVOT ARM BUSHING	1	20	296-01-00-131	PIVOT PLATE	1
4	490-03-07-000	LOWER INNER FLANGE ASSY	1	21	490-03-00-200	LH REINFORCING BAR BRKT	2
4.1	490-03-07-017	LOWER INNER FLANGE	1	22	490-03-00-201	RH REIFORCING BAR BRKT	2
4.2	R07629	7/16 x 1 1/2 HEX BOLT	12	23	490-08-00-039	REINFORCING BAR	1
5	490-03-06-000	BEARING HOLDER ASSY	3	24	490-08-00-202	CAP	2
5.1	490-03-06-018	FLANGE BEARING HOLDER	1	25	490-08-00-040	LONG POST	1
5.2	R07639	1/2 x 2 HEX BOLT	4	26	490-08-00-116	POST BASE PLATE	3
6	490-03-03-000	STABILIZER ARM SUPPORT TUBE ASSY	1	27	490-08-00-178	BIPOD LEG HOLDER	2
				28	490-08-00-177	PTO HOLDER BRKT	2
6.1	490-03-03-135	STABILIZER ARM BRKT	1	29	490-08-00-041	SHORT POST	2
6.2	490-03-03-022	STABILIZER ARM SUPPORT TUBE	2	30	490-03-00-248	REINFORCING PLATE FOR CARRIAGE LOCK	1
6.3	490-03-03-136	END CAP	2				
6.4	490-03-03-253	MOUNTING PLATE	1	31	490-03-11-000	RH GEARBOX BRKT ASSY	1
7	490-03-00-033	TONGUE ADJUSTMENT ARM	1	31.1	490-03-00-019	RH GEARBOX BRKT	1
8	490-03-00-056	MOUNTING PLATE	4	31.2	490-03-11-249	GEARBOX REINFORCING BAR	2
9	490-03-00-011	HYDRAULIC HOSE HOLDER	28	31.3	490-03-11-250	GEARBOX GUSSET	1
10	290-10-00-151	DISCHARGE HOLDER SUPPORT	2	32	490-03-12-000	LH GEARBOX BRKT ASSY	1
11	490-03-00-172	SLIDE ATTACHMENT BRKT	2	32.1	490-03-00-020	LH GEARBOX BRKT	1
12	490-03-00-088	PIPE SUPPORT	1	32.2	490-03-11-250	GEARBOX GUSSET	1
13	490-03-00-131	PIPE SUPPORT CAP	1	32.3	490-03-11-249	GEARBOX REINFORCING BAR	2
14	490-03-00-117	SIDE REINFORCING PLATE	2	33	490-03-00-251	SUPPORT POST GUSSET	12
15	340-01-00-498	SERIAL NO. BACK PLATE	1	34	250-00-00-354	1/4 X 1 1/2" RING	14

## HOUSING & COVER PLATE

**HOUSING ASSY  
490-01-00-000**



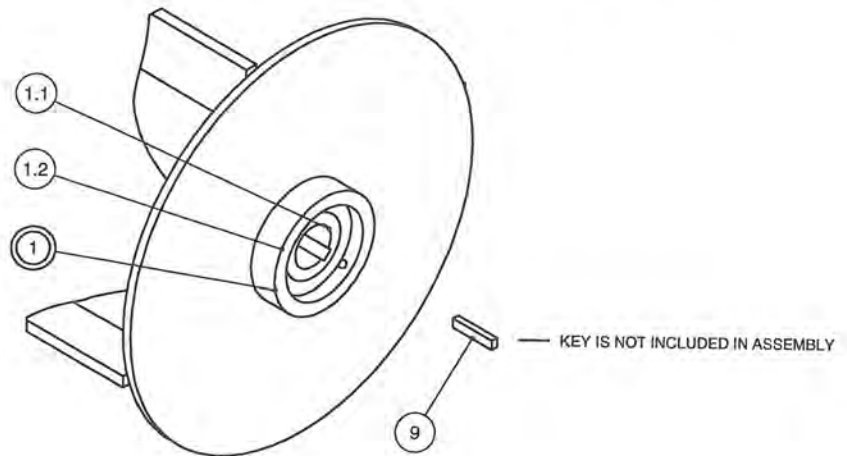
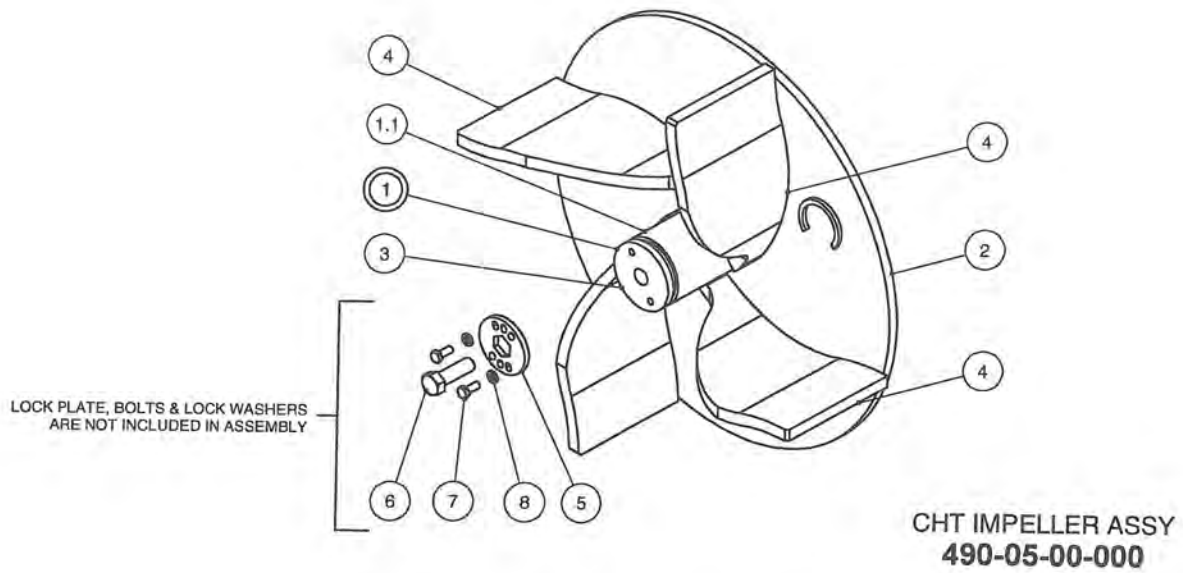
PARTS LIST			
ITEM	PART NUMBER	DESCRIPTION	QTY
1	490-01-00-001	HOUSING BOTTOM PLATE	1
2	490-01-00-002	HOUSING TOP PLATE	1
3	490-01-00-003	HOUSING BAND	1
4	490-01-00-004	HOUSING FILLER PLATE	1
5	490-01-00-006	HOUSING FLANGE	1
6	490-01-00-173	SLIDE ATTATCHMENT TUBE	2
7	490-01-00-174	TUBE REINFORCING PLATE	2
8	490-01-00-005	TRANSITION PC	2



**CHT COVER PLATE ASSY  
490-06-00-000**

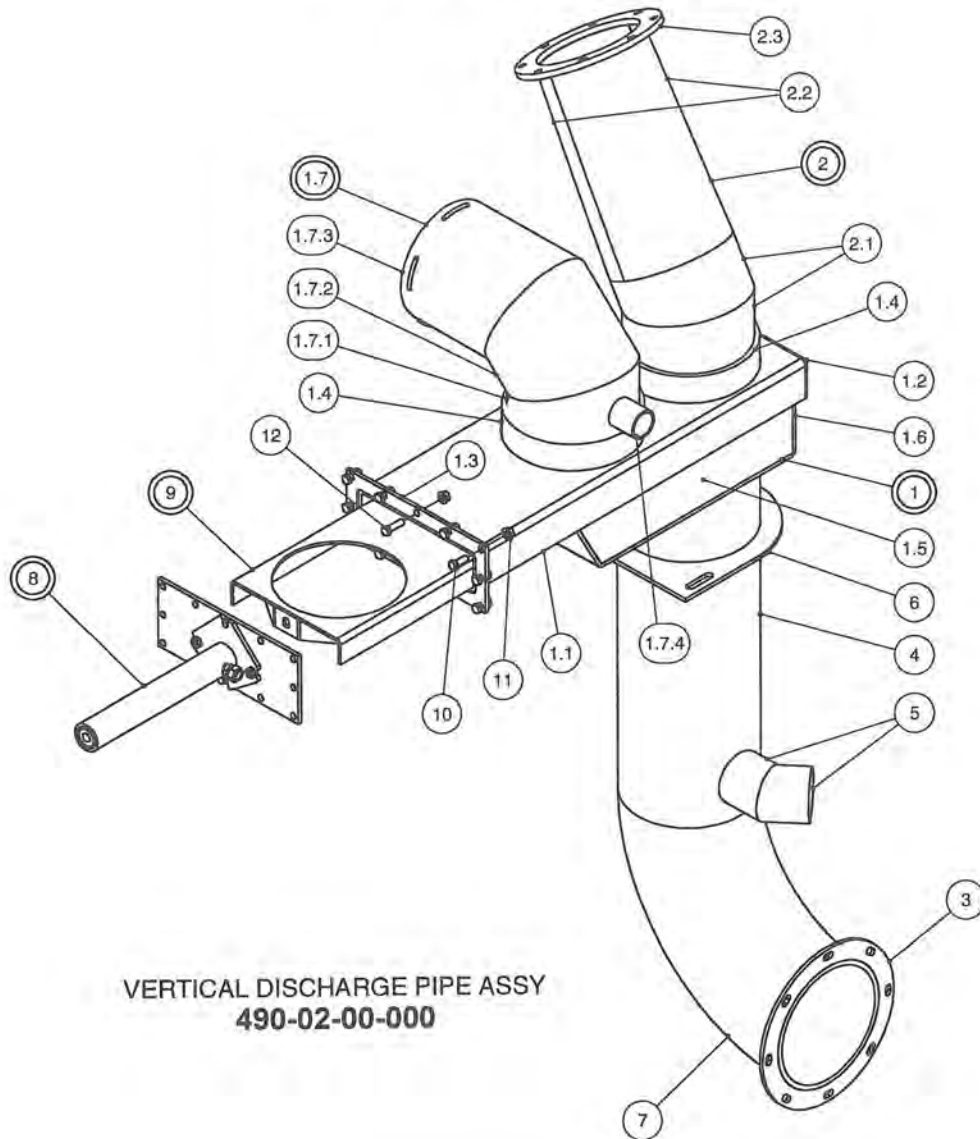
PARTS LIST			
ITEM	PART NUMBER	DESCRIPTION	QTY
1	244-33-00-357	CHT COVER PLATE SUPPORT	1
2	490-06-00-125	CHT COVER PLATE	1

## IMPELLER ASSY



PARTS LIST			
ITEM	PART NUMBER	DESCRIPTION	QTY
1	490-05-01-000	PL490 IMPELLER HUB ASSY	1
1.1	490-05-00-037	IMPELLER HUB	1
1.2	490-05-00-061	IMPELLER BACK SPACER PLATE	1
2	244-34-00-358	CHT IMPELLER BACK PLATE	1
3	490-05-00-038	IMPELLER HUB CAP	1
4	290-94-02-289	CHT IMPELLER BLADE	4
5	490-00-00-187	IMPELLER BOLT LOCK PLATE	1
6	R08357	M16 x 50 METRIC HEX BOLT	1
7	R07676	5/16 x 3/4 HEX BOLT	2
8	R07802	5/16 LOCK WASHER	2
9	490-00-00-188	IMPELLER KEY	1

## VERTICAL DISCHARGE ASSY

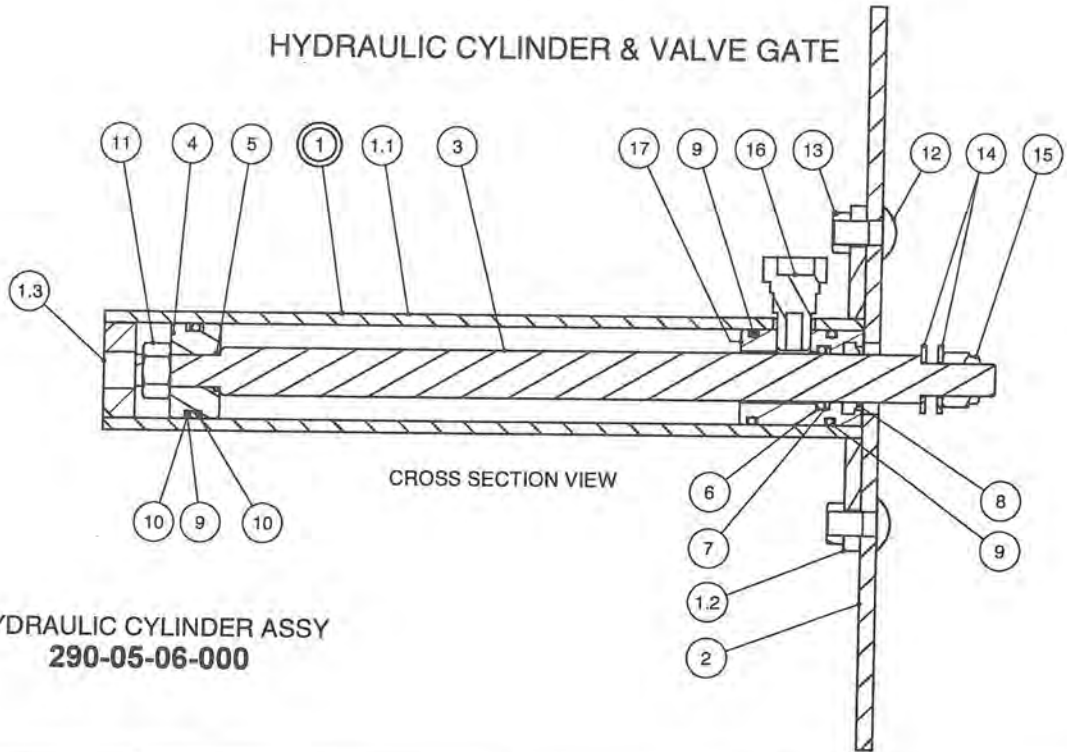


VERTICAL DISCHARGE PIPE ASSY  
490-02-00-000

PARTS LIST				PARTS LIST			
ITEM	PART NUMBER	DESCRIPTION	QTY	ITEM	PART NUMBER	DESCRIPTION	QTY
1	490-02-02-000	VALVE BODY ASSY	1	2.1	490-02-01-013	ELBOW PC	2
1.1	490-02-02-189	VALVE BODY	1	2.2	490-02-01-014	CONE HALF	2
1.2	290-05-01-026	END CAP	1	2.3	296-06-00-102	FLANGE	1
1.3	290-05-01-027	VALVE BODY FLANGE	1	3	490-02-00-197	ELBOW FLANGE	1
1.4	290-05-01-028	VALVE EXTENSION PIPE	2	4	490-02-00-007	VERTICAL DISCHARGE PIPE	1
1.5	490-02-02-107	INLET SIDE	2	5	490-02-00-008	3" AGITATOR PIPE	2
1.6	490-02-02-108	INLET BASE	1	6	490-02-00-015	VERTICAL PIPE HOLDER	1
1.7	490-02-03-000	VALVE ELBOW ASSY	1	7	R02935	8" WELD ELBOW	1
1.7.1	490-02-03-009	ELBOW BASE PC	1	8	290-05-06-000	HYDRAULIC CYLINDER ASSY	1
1.7.2	490-02-03-010	ELBOW MIDDLE PC	1	9	290-05-04-000	VALVE GATE ASSY	1
1.7.3	490-02-03-012	ELBOW TOP PC	1	10	R07619	3/8 x 1 UNC HEX BOLT	10
1.7.4	490-02-03-256	VALVE ELBOW DRAIN PIPE	1	11	R07794	3/8-16 UNC FLANGE NUT	12
2	490-02-01-000	AGITATOR EXTENSION PIPE ASSY	1	12	R07675	3/8 x 1 1/4 UNC HEX BOLT	2

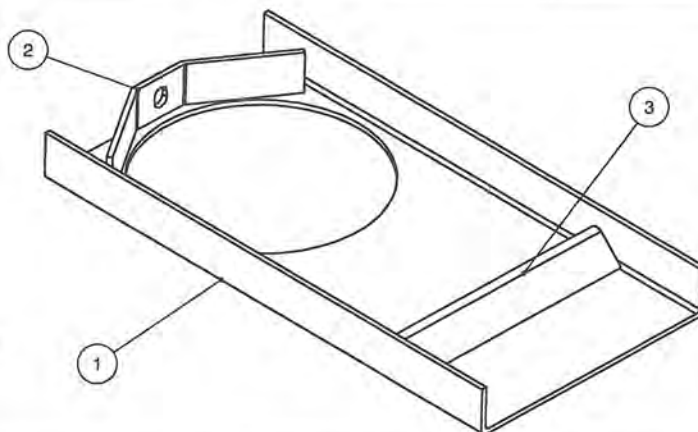


## HYDRAULIC CYLINDER & VALVE GATE



**HYDRAULIC CYLINDER ASSY  
290-05-06-000**

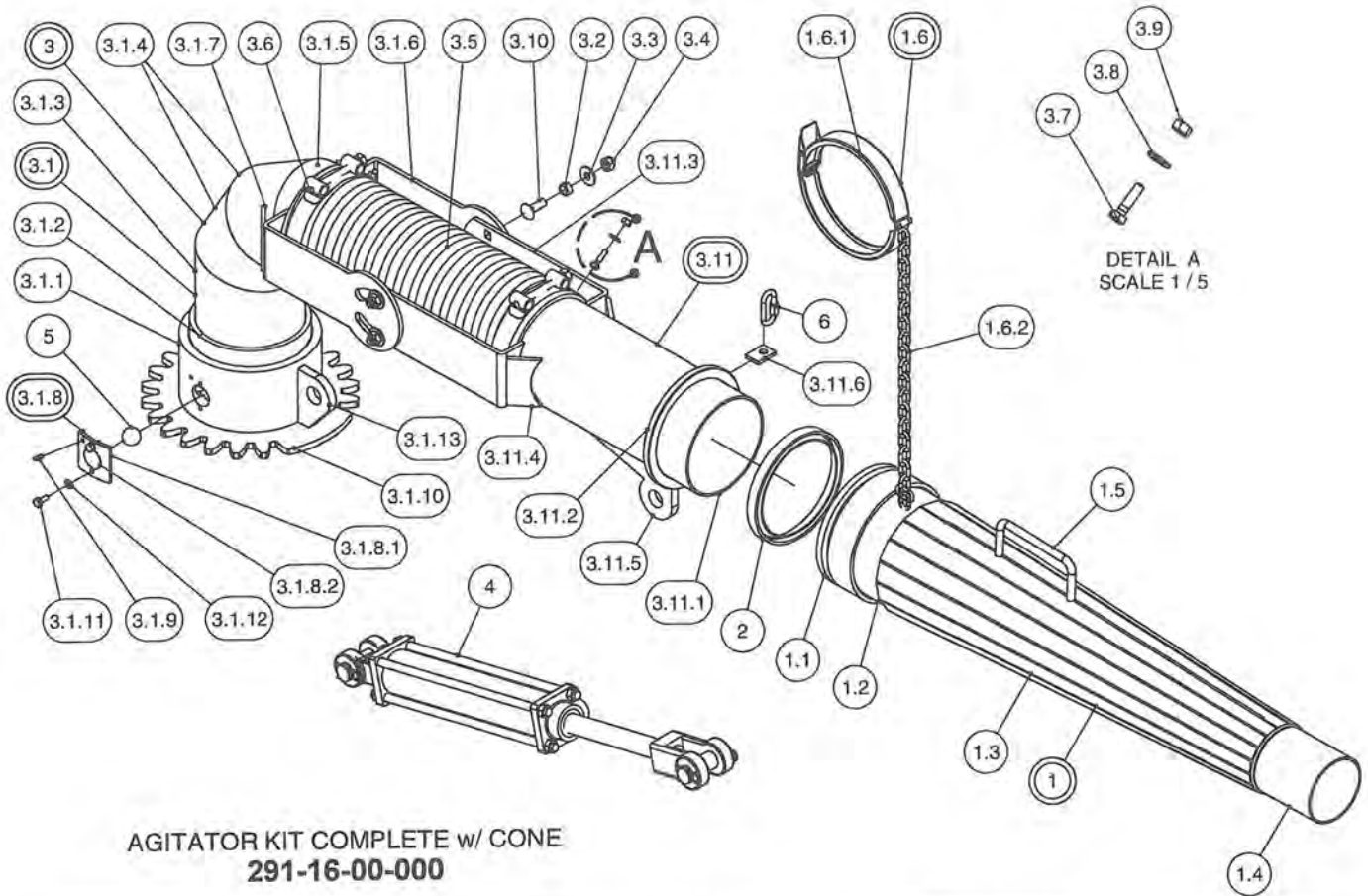
PARTS LIST				PARTS LIST			
ITEM	PART NUMBER	DESCRIPTION	QTY	ITEM	PART NUMBER	DESCRIPTION	QTY
1	290-05-05-000	VALVE CYLINDER TUBE ASSY	1	8	R20774	3/4" HYTREL ROD WIPER 52-750	1
1.1	290-05-05-278	HYD CYLINDER TUBE	1	9	R20866	O-RING #11-218	3
1.2	290-05-05-279	CYLINDER TUBE FLANGE	1	10	R20867	BACKUP RING #8-218	2
1.3	340-36-18-431	END CAP	1	11	R07885	1/2 - 2 WAY LOCK NUT	1
2	290-05-06-280	HYD CYLINDER FLANGE	1	12	R07776	3/8" x 3/4" CARRIAGE BOLT	2
3	290-05-03-031	CYLINDER SHAFT	1	13	R07794	3/8 FLANGE NUT	2
4	340-36-00-435	CYLINDER PLUNGER	1	14	R08222	1/2" SAE S.S. FLAT WASHER	2
5	R20865	O-RING #11-014	1	15	R08229	1/2" S.S. NYLOC HEX NUT	1
6	R20771	O-RING #11-210	1	16	R21287	1/4M x 3/8 SWIVEL ADAPTER	1
7	R20862	3/4" BACKUP #210	1	17	340-36-00-434	WIPER BLOCK	1



**VALVE GATE ASSY  
290-05-04-000**

PARTS LIST			
ITEM	PART NUMBER	DESCRIPTION	QTY
1	290-05-04-032	VALVE GATE	1
2	290-05-04-033	VALVE GATE BRKT	1
3	290-05-04-037	VALVE GATE REINFORCING	1

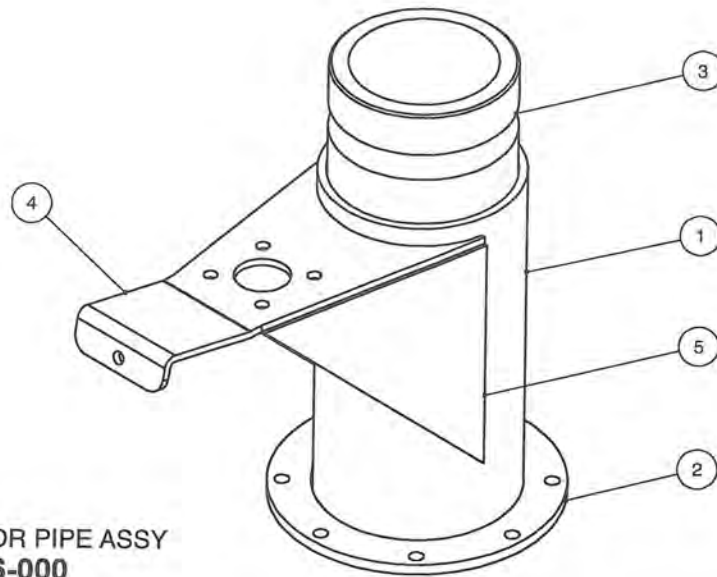
## AGITATOR KIT COMPLETE



**AGITATOR KIT COMPLETE w/ CONE  
291-16-00-000**

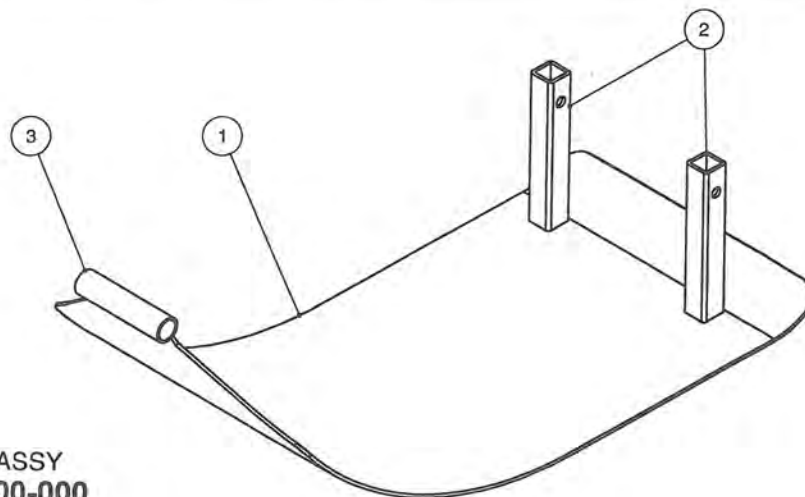
PARTS LIST				PARTS LIST			
ITEM	PART NUMBER	DESCRIPTION	QTY	ITEM	PART NUMBER	DESCRIPTION	QTY
1	244-12-07-000	CONE ASSY	1	3.1.10	290-30-00-118	ROTOR SPROCKET	1
1.1	250-96-01-296	COUPLING BASE TUBE	1	3.1.11	R08233	1/4 x 5/8 SS HEX CAP SCREW	2
1.2	244-12-02-311	FILLER PIPE	1	3.1.12	R07801	1/4 LOCK WASHER	2
1.3	244-12-03-314	CONE (HALF)	2	3.1.13	291-16-05-353	INNER CYLINDER BRKT	1
1.4	244-12-05-319	STUB TUBE	1	3.2	244-05-00-281	SPACER PIPE	4
1.5	244-12-03-341	CONE HANDLE	1	3.3	R07824	7/16 FLAT WASHER	4
1.6	244-99-00-000	CLAMP & CHAIN ASSY	1	3.4	R08178	7/16 NYLOCK HEX NUT	4
1.6.1	R02487	6" RING LOCK CLAMP	1	3.5	270-63-00-187	FLEX HOSE	1
1.6.2	244-99-00-527	CLAMP CHAIN	1	3.6	R02482	6" HOSE CLAMP	2
2	R02366	6" RUBBER GASKET	2	3.7	R07601	1/4 x 1 HEX BOLT	4
3	291-16-03-000	AGITATOR SWIVEL KIT w/ RING	1	3.8	R07821	1/4 FLAT WASHER	4
3.1	291-16-05-000	AGITATOR ELBOW ASSY-2005	1	3.9	R07781	1/4 HEX NUT	4
3.1.1	290-30-00-128	OUTER ROLLER SLEEVE	1	3.10	R07774	7/16 x 1 1/4" GR 5 CARRIAGE BOLT	4
3.1.2	290-30-00-114	FILLER PIPE	1	3.11	291-16-04-000	CONE EXTENSION ASSY w/ RING	1
3.1.3	290-30-00-115	ELBOW BASE PC	1	3.11.1	291-16-04-355	EXTENSION PIPE	1
3.1.4	290-30-00-116	ELBOW MIDDLE PC	2	3.11.2	250-95-00-295	CLAMP RING	1
3.1.5	290-30-00-117	ELBOW TOP PC	1	3.11.3	244-05-46-277	INNER PIVOT BRKT	2
3.1.6	244-05-43-276	MAIN PIVOT BRKT	2	3.11.4	244-05-46-301	GUSSET	2
3.1.7	244-05-46-301	GUSSET	2	3.11.5	291-16-04-356	CYLINDER BRKT	1
3.1.8	275-05-00-000	CAP ASSY	1	3.11.6	250-96-00-298	CHAIN LUG	1
3.1.8.1	275-05-00-032	CAP PLATE	1	4	R20726	2 x 10 HYDRAULIC CYLINDER	1
3.1.8.2	275-05-00-031	CAP PLUG	1	5	R20219	1" NYLON BALL	19
3.1.9	R08237	3/16 x 1/2 SS ROLL PIN	1	6	R08435	1/4 Quick Link	1

### VALVE TO ROTATOR PIPE & SLIDE ASSY



VALVE TO ROTATOR PIPE ASSY  
296-06-06-000

PARTS LIST			
ITEM	PART NUMBER	DESCRIPTION	QTY
1	296-06-06-049	LONG EXTENSION PIPE	1
2	296-06-00-102	FLANGE	1
3	290-18-00-090	INNER ROLLER HOLDER	1
4	296-06-07-118	HYDRAULIC MOTOR MOUNT PLATE	1
5	296-06-07-119	MT PLATE SIDES	2

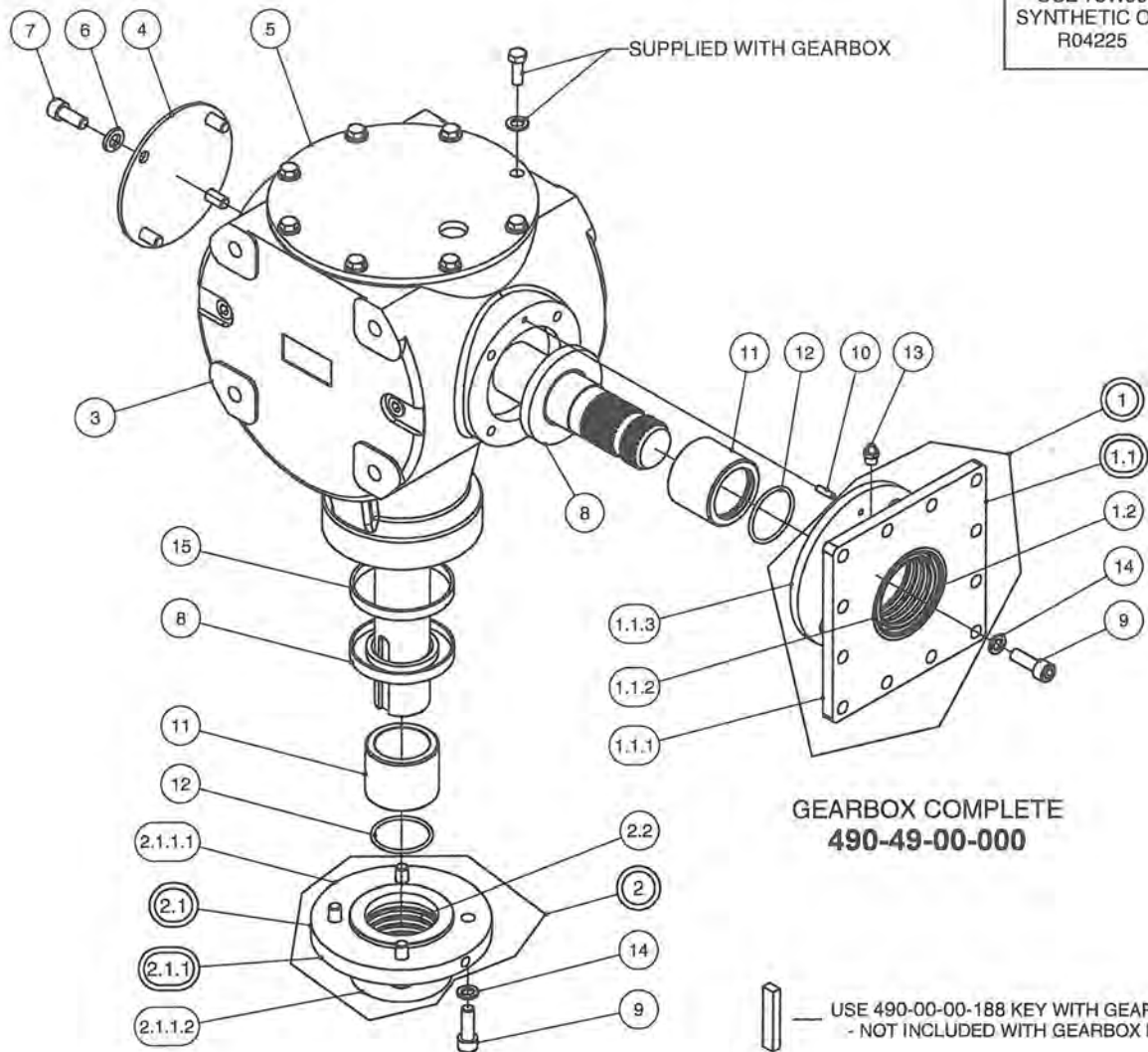


SLIDE ASSY  
490-09-00-000

PARTS LIST			
ITEM	PART NUMBER	DESCRIPTION	QTY
1	490-09-00-042	SLIDE	1
2	490-09-00-043	SLIDE LEG	2
3	490-09-00-168	SLIDE SLEEVE	1

# GEARBOX COMPLETE

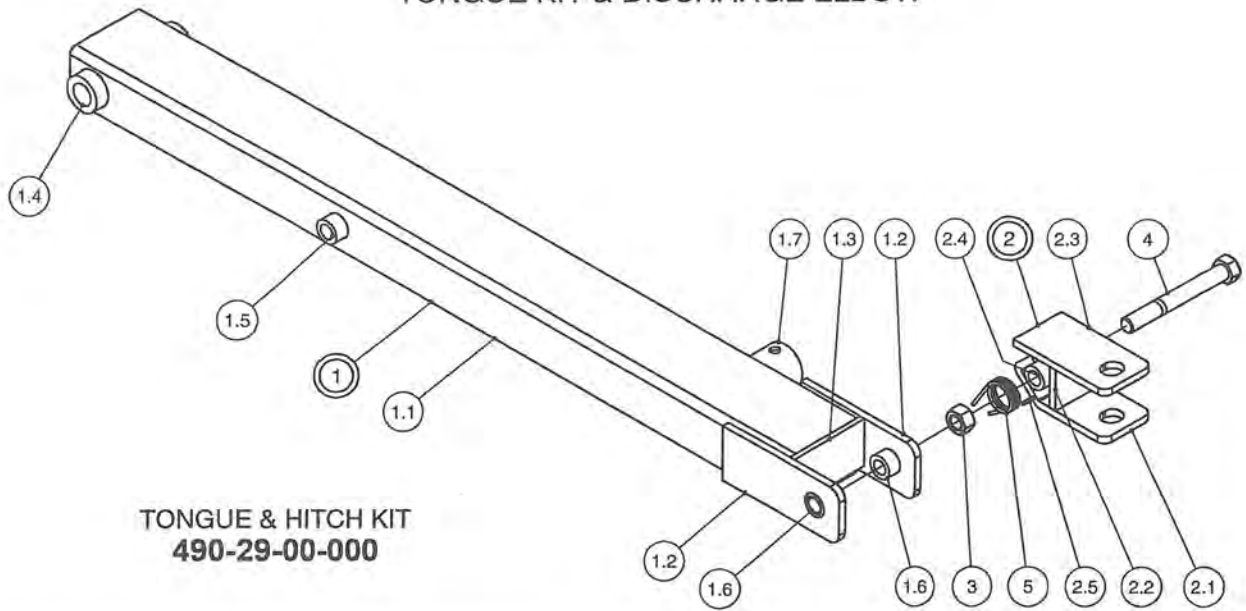
USE 75W90  
SYNTHETIC OIL  
R04225



PARTS LIST				PARTS LIST			
ITEM	PART NUMBER	DESCRIPTION	QTY	ITEM	PART NUMBER	DESCRIPTION	QTY
1	490-49-01-000	UPPER SEAL HOLDER COMPLETE	1	4	490-00-00-127	GEARBOX CAP	1
1.1	490-14-00-000	SEAL HOLDER ASSY - UPPER	1	5	490-00-00-134	GEARBOX TOP COVER PLATE	1
1.1.1	490-14-00-054	SEAL FLANGE PUMP	1	6	R07804	7/16 LOCK WASHER	4
1.1.2	490-14-00-055	SEAL SLEEVE	1	7	R08359	M10-1.5 x 25 SHCS	4
1.1.3	490-14-00-053	SEAL FLANGE-GEARBOX	1	8	R22300	45 x 85 x 10 METRIC SEAL	2
1.2	R22524	60 x 75 x 8 METRIC SEAL	4	9	R08358	M10-1.5 x 30	8
2	490-49-02-000	LOWER SEAL HOLDER COMPLETE	1	10	R07954	3/16" x 3/4" ROLL PIN	1
2.1	490-15-00-000	SEAL HOLDER ASSY - LOWER	1	11	R22447	HARDENED SEAL SLEEVE	2
2.1.1	490-15-01-000	SEAL HOLDER SUB ASSY	1	12	R22297	45 ID x 51 OD x 3 O-RING	2
2.1.1.1	490-15-00-071	SEAL FLANGE - LOWER GEARBOX	1	13	R08186	1/8" NPT GREASE FTG	1
2.1.1.2	490-15-00-072	LOWER SEAL SLEEVE	1	14	R08361	M10 LOCKWASHER-ZINC	8
2.2	R22524	60 x 75 x 8 METRIC SEAL	4	15	490-49-00-259	SEAL STOP RING	1
3	R22233	1:1 BONDIOLI GEARBOX - EXT SHAFT	1				



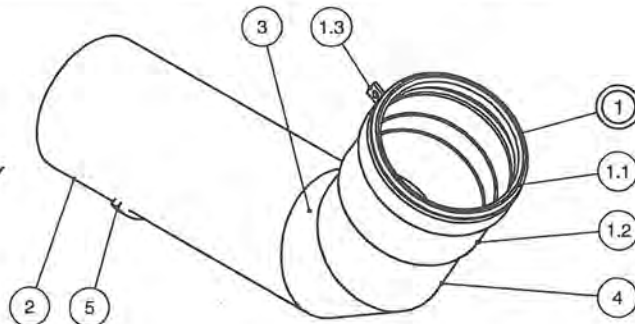
## TONGUE KIT & DISCHARGE ELBOW



**TONGUE & HITCH KIT  
490-29-00-000**

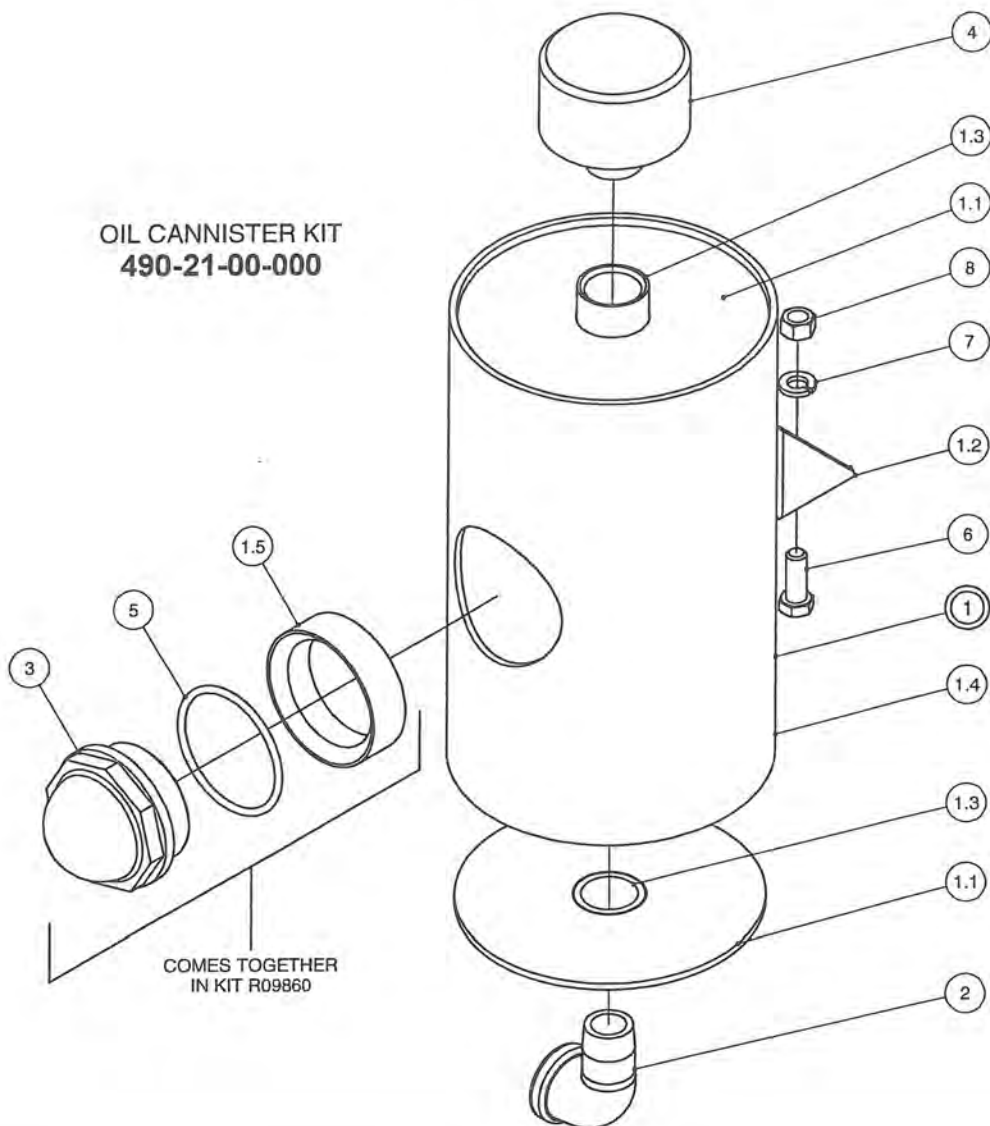
PARTS LIST				PARTS LIST			
ITEM	PART NUMBER	DESCRIPTION	QTY	ITEM	PART NUMBER	DESCRIPTION	QTY
1	490-29-01-000	TONGUE ASSY	1	2.1	490-29-02-153	LOWER HITCH PLATE	1
1.1	490-29-01-146	TONGUE TUBE	1	2.2	490-29-02-152	REINFORCING PLATE	1
1.2	490-29-01-149	SIDE PLATE	2	2.3	490-29-02-154	UPPER HITCH PLATE	1
1.3	490-29-01-150	UPPER END CAP	1	2.4	490-29-02-155	HITCH SLEEVE	1
1.4	490-13-00-052	HD TONGUE SLEEVE	1	2.5	R07950	3/16 x 1 1/4 ROLL PIN	1
1.5	490-13-00-051	TONGUE SLEEVE	1	3	R07882	1" - 2 WAY LOCK NUT	1
1.6	490-29-01-148	SIDE PLATE SLEEVE	2	4	R07669	1 x 8" HEX BOLT	1
1.7	364-35-00-245	TONGUE JACK BRKT	1	5	R08372	TORSION SPRING - 1 3/4 ID x 3/16"	1
2	490-29-02-000	HITCH ASSY	1			WIRE	

**DISCHARGE TOP ELBOW ASSY  
290-53-00-000**



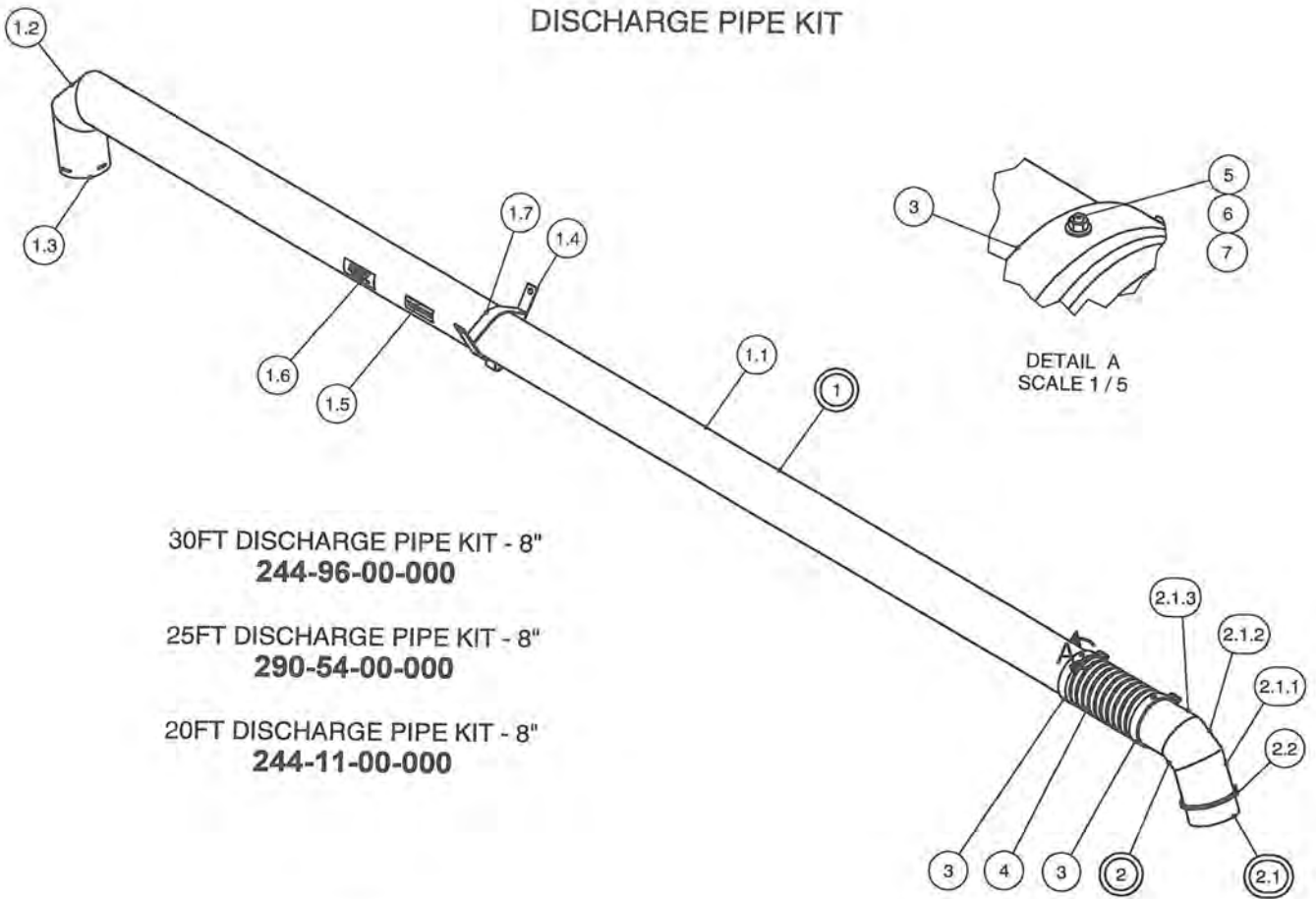
PARTS LIST			
ITEM	PART NUMBER	DESCRIPTION	QTY
1	290-53-01-000	UPPER EXTENSION PIPE ASSY	1
1.1	244-07-01-306	COUPLING BASE	1
1.2	242-09-09-048	EXTENSION PIPE	1
1.3	250-96-00-298	CHAIN LUG	1
2	290-26-00-108	ELBOW BOTTOM PC	1
3	290-26-00-109	ELBOW MIDDLE PC	1
4	290-26-00-110	ELBOW TOP PC	1
5	290-26-00-111	STOP	1

## OIL CANNISTER KIT



PARTS LIST			
ITEM	PART NUMBER	DESCRIPTION	QTY
1	490-21-02-000	OIL CANNISTER ASSY-2006	1
1.1	490-21-01-102	CANNISTER LID	2
1.2	490-21-01-103	CANNISTER ATTACHMENT BRKT	1
1.3	490-21-01-104	HALF OF 3/4" PIPE COUPLING	2
1.4	490-21-02-254	OIL CANNISTER	1
1.5	R10177	2" SIGHT EYE BODY	1
2	R02104	3/4" ST ELBOW - 90°	1
3	R09860	CLEAR SIGHT GAUGE	1
4	R21103	FILLER BREATHER	1
5	R10176	2" SIGHT EYE O-RING (229)	1
6	R07619	3/8 x 1 UNC HEX BOLT	2
7	R07803	3/8" LOCK WASHER	2
8	R07783	3/8-16 UNC HEX NUT	2

## DISCHARGE PIPE KIT



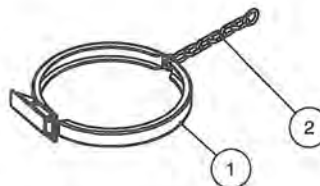
30FT DISCHARGE PIPE KIT - 8"  
**244-96-00-000**

25FT DISCHARGE PIPE KIT - 8"  
**290-54-00-000**

20FT DISCHARGE PIPE KIT - 8"  
**244-11-00-000**

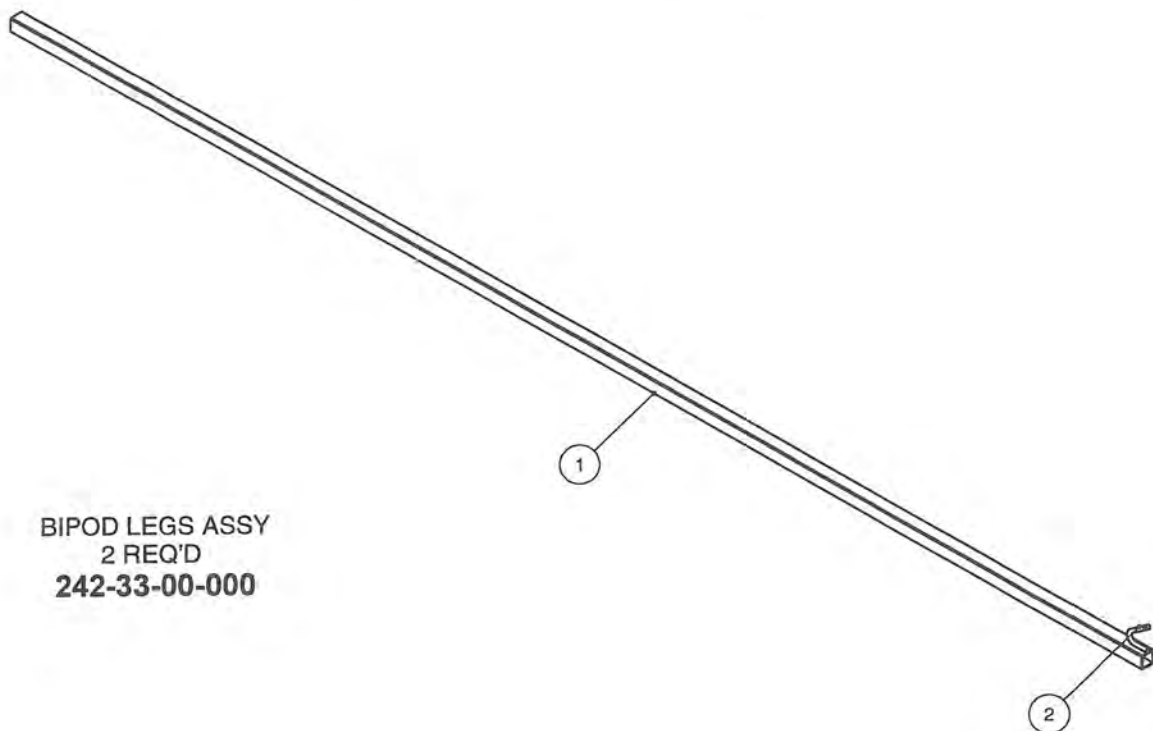
PARTS LIST				PARTS LIST			
ITEM	PART NUMBER	DESCRIPTION	QTY	ITEM	PART NUMBER	DESCRIPTION	QTY
1	244-96-01-000	30 FT DISCHARGE PIPE ASSY	*	2	244-08-00-000	PUMP ELBOW w/ RING ASSY	1
1	290-54-01-000	25 FT DISCHARGE PIPE ASSY	*	2.1	242-28-00-000	PUMP ELBOW ASSY	1
1	270-42-00-000	20 FT DISCHARGE PIPE ASSY	1	2.1.1	242-28-00-138	PUMP ELBOW BASE SECTION	1
1.1	244-96-01-506	30 FT DISCHARGE PIPE	*	2.1.2	242-28-00-139	PUMP ELBOW MIDDLE SECTION	1
1.1	270-53-24-155	25 FT DISCHARGE PIPE	*	2.1.3	242-28-00-140	PUMP ELBOW UPPER SECTION	1
1.1	270-42-00-130	20 FT DISCHARGE PIPE	1	2.2	244-08-00-307	CLAMP RING	1
1.2	242-30-00-146	DISCHARGE ELBOW CENTER PC	1	3	R02484	8" SUCTION HOSE CLAMP	2
1.3	242-30-00-147	DISCHARGE ELBOW END PC	1	4	242-00-00-141	FLEXIBLE HOSE SECTION	1
1.4	242-30-00-148	DISCHARGE PIPE HOOK	1	5	R07601	1/4 x 1 HEX BOLT	4
1.5	R09690	"TIE DOWN" DECAL	1	6	R07781	1/4 HEX NUT	4
1.6	R09502-8INCH	"HUSKY" DECAL	1	7	R07821	1/4 FLAT WASHER	4
1.7	242-30-00-528	8" PIPE HOOK REINFORCING STRAP	1				

8" CLAMP & CHAIN ASSY  
**244-09-00-000**



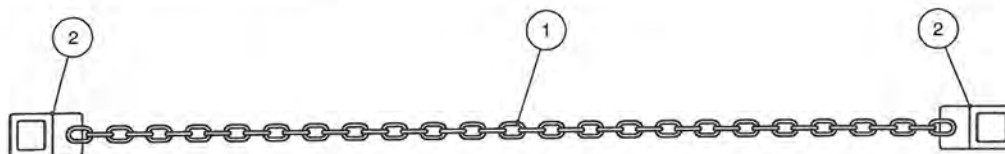
PARTS LIST			
ITEM	PART NUMBER	DESCRIPTION	QTY
1	R02488	8" RINGLOCK CLAMP	1
2	250-97-00-297	CLAMP CHAIN	1

DISCHARGE PIPE KIT CON'T



BIPOD LEGS ASSY  
2 REQ'D  
**242-33-00-000**

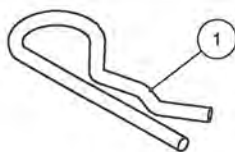
PARTS LIST			
ITEM	PART NUMBER	DESCRIPTION	QTY
1	242-33-00-155	BIPOD LEGS	1
2	242-33-00-156	BIPOD LEG HOOK	1



BIPOD LEG CHAIN ASSY  
**242-79-00-000**

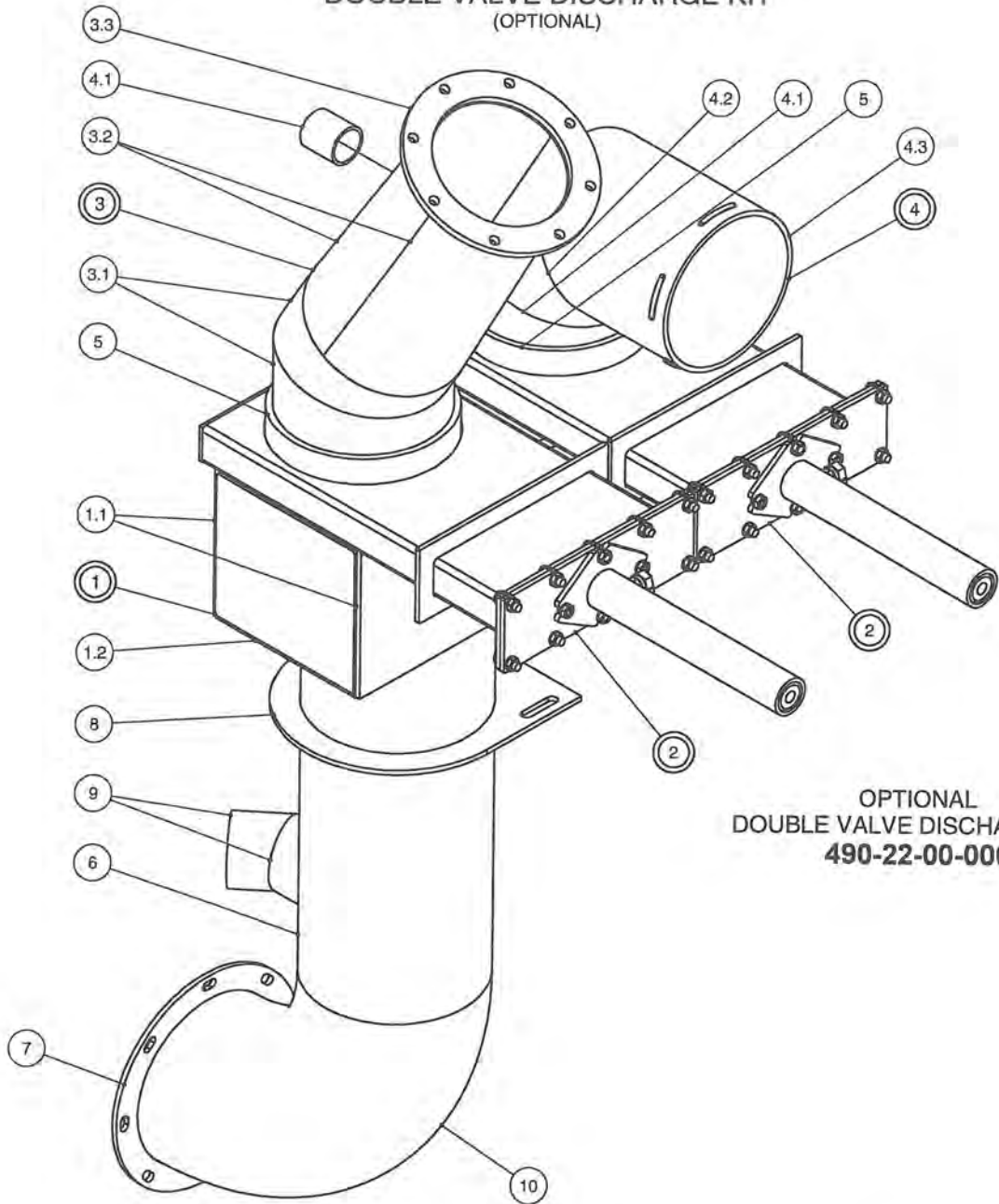
PARTS LIST			
ITEM	PART NUMBER	DESCRIPTION	QTY
1	242-79-00-199	BIPOD LEG CHAIN	1
2	242-79-00-198	BIPOD LEG CLIP	2

HAIR PIN  
**R07948**



PARTS LIST			
ITEM	PART NUMBER	DESCRIPTION	QTY
1	R07948	5/32 HAIR PIN	1

## DOUBLE VALVE DISCHARGE KIT (OPTIONAL)

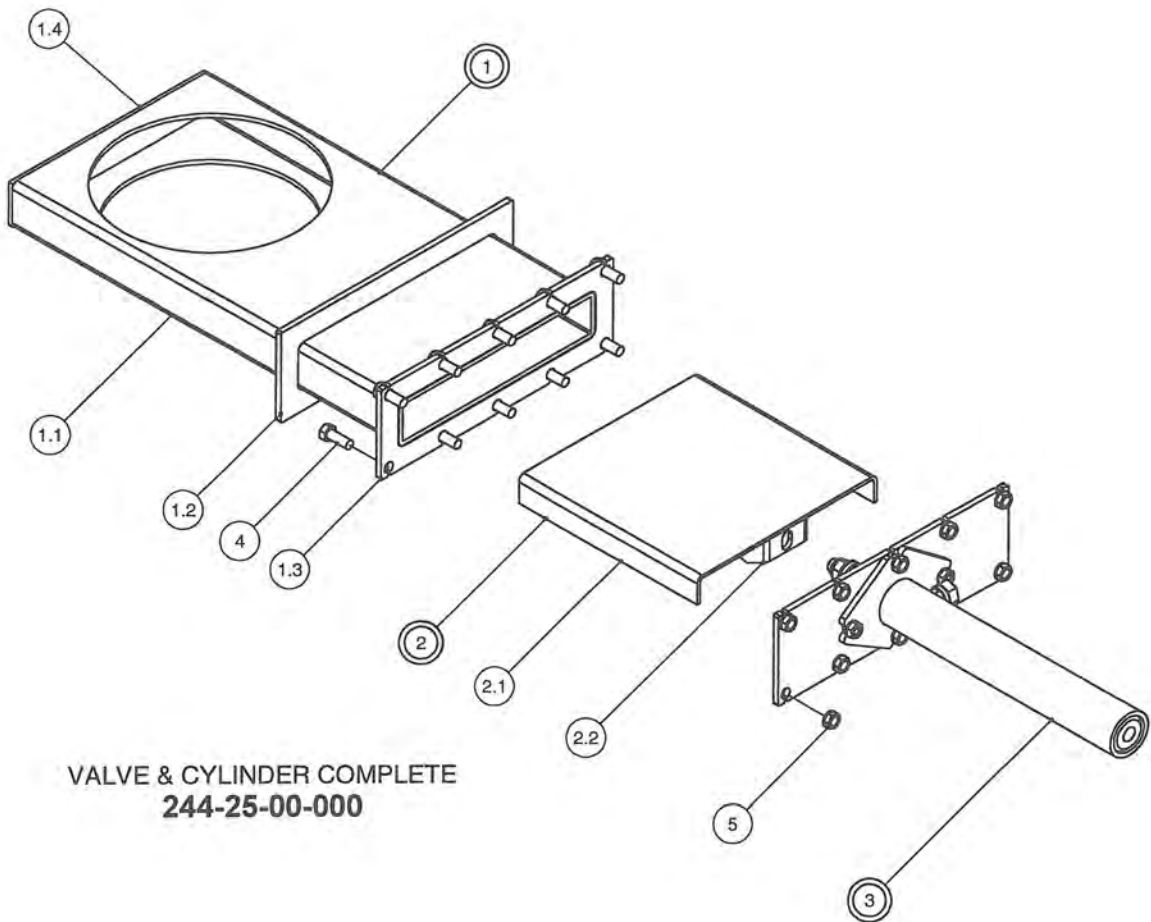


OPTIONAL  
DOUBLE VALVE DISCHARGE KIT  
**490-22-00-000**

PARTS LIST				PARTS LIST			
ITEM	PART NUMBER	DESCRIPTION	QTY	ITEM	PART NUMBER	DESCRIPTION	QTY
1	490-22-01-000	DISTRIBUTION BOX ASSY	1	4.3	490-02-03-010	ELBOW MIDDLE PC	1
1.1	490-22-01-119	DISTRIBUTOR BOX TOP	1	4.4	490-02-03-012	ELBOW TOP PC	1
1.2	490-22-01-120	DISTRIBUTOR BOX BOTTOM	1	4	490-02-03-000	VALVE ELBOW ASSY	1
2	244-25-00-000	VALVE AND CYLINDER COMPLETE	2	5	242-93-23-224	CONE MOUNT	2
3	490-02-01-000	AGITATOR EXTENSION PIPE ASSY	1	6	490-22-00-118	VERTICAL DISCHARGE PIPE	1
3.1	490-02-01-013	ELBOW PC	2	7	490-02-00-197	ELBOW FLANGE	1
3.2	490-02-01-014	CONE HALF	2	8	490-02-00-015	VERTICAL PIPE HOLDER	1
3.3	296-06-00-102	FLANGE	1	9	490-02-00-008	3" AGITATOR PIPE	2
4.1	490-02-03-256	VALVE ELBOW DRAIN PIPE	1	10	R02935	8" WELD ELBOW	1
4.2	490-02-03-009	ELBOW BASE PC	1				

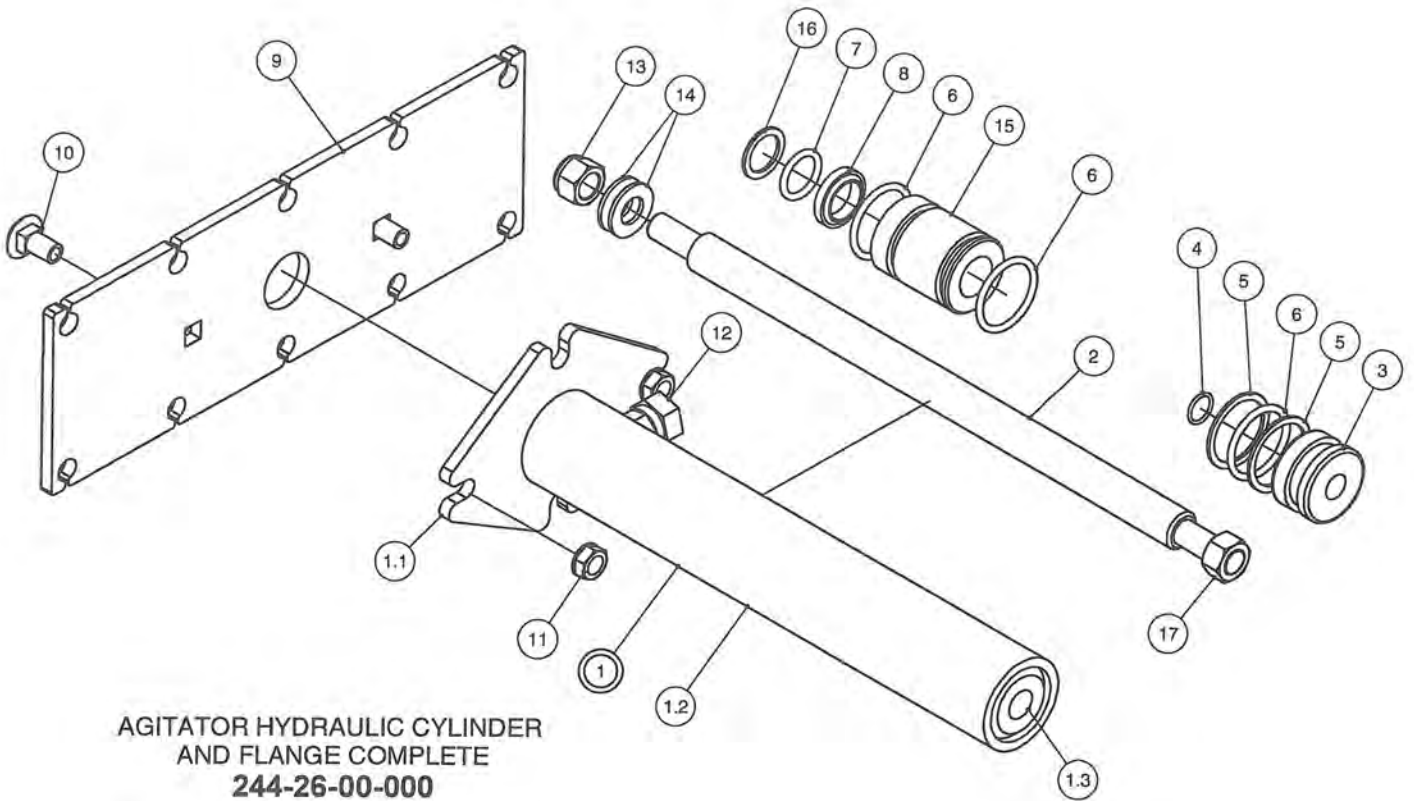


## VALVE & CYLINDER COMPLETE



PARTS LIST			
ITEM	PART NUMBER	DESCRIPTION	QTY
1	244-14-01-000	VALVE BODY ASSY	1
1.1	244-14-01-323	VALVE BODY	1
1.2	244-14-01-324	VALVE BODY SUPPORT	1
1.3	242-97-00-231	VALVE INNER FLANGE	1
1.4	242-97-00-230	VALVE END CAP	1
2	242-36-42-000	VALVE GATE ASSY	1
2.1	242-36-42-268	VALVE GATE	1
2.2	242-36-42-269	VALVE GATE BRKT	1
3	244-26-00-000	HYDRAULIC CYLINDER KIT	1
4	R07619	3/8 x 1 HEX BOLT	10
5	R07794	3/8 FLANGE NUT	10

## AGITATOR VALVE CYLINDER COMPLETE

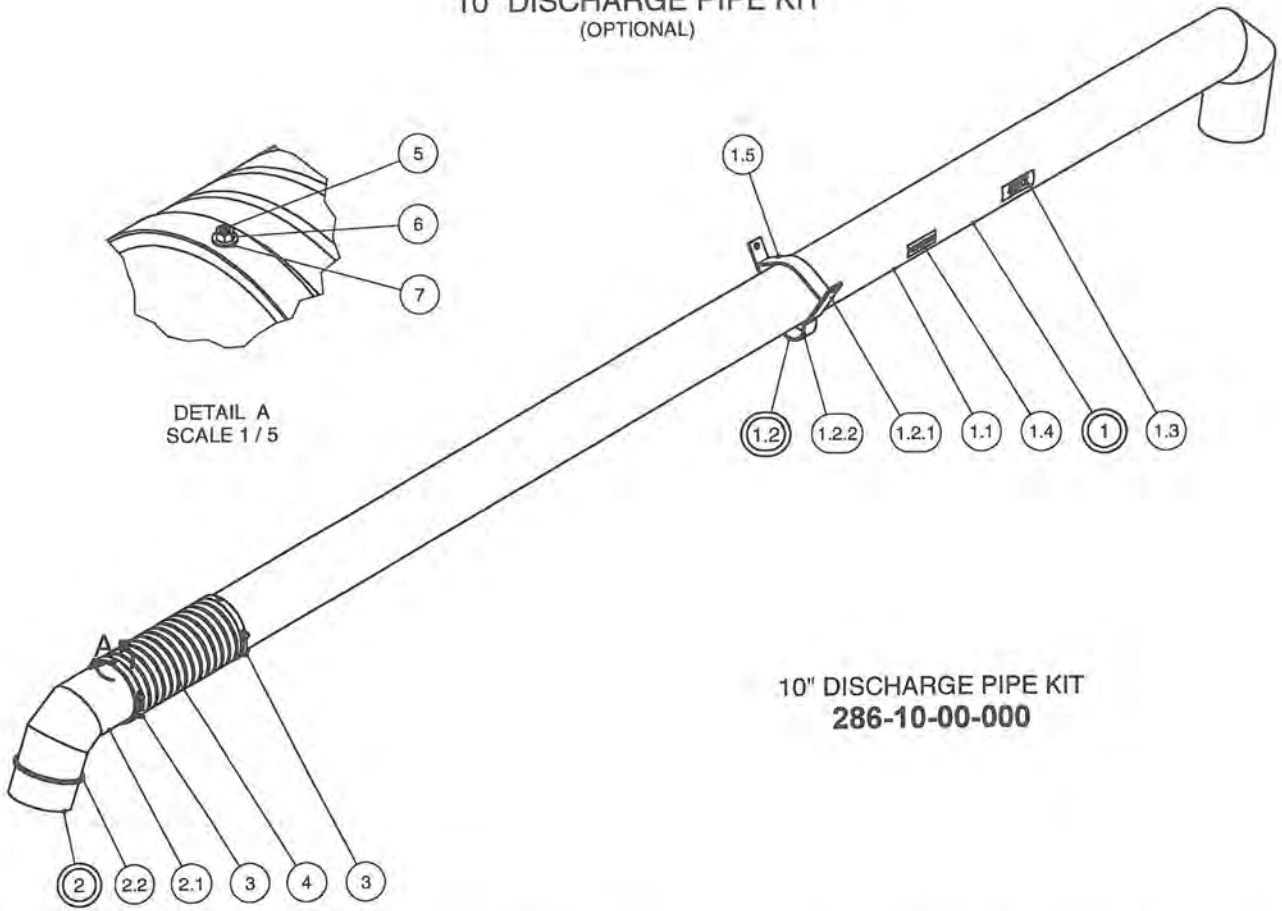


**AGITATOR HYDRAULIC CYLINDER  
AND FLANGE COMPLETE  
244-26-00-000**

"O" RING KIT FOR CYLINDER 340-47-00-000

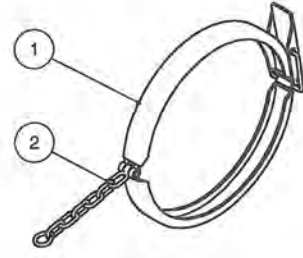
PARTS LIST			
ITEM	PART NUMBER	DESCRIPTION	QTY
1	244-26-01-000	HYDRAULIC CYLINDER TUBE ASSY	1
1.1	244-26-01-344	CYLINDER TUBE FLANGE	1
1.2	244-26-01-343	HYDRAULIC CYLINDER TUBE	1
1.3	340-36-18-431	END CAP	1
2	244-14-02-325	CYLINDER SHAFT	1
3	340-36-00-435	CYLINDER PLUNGER	1
4	R20865	O-RING #11-014	1
5	R20867	BACKUP RING #8-218	2
6	R20866	O-RING #11-218	3
7	R20771	O-RING #11-210	1
8	R20774	3/4" HYTREL ROD WIPER 52-750	1
9	244-26-00-345	FLANGE	1
10	R07776	3/8" x 3/4" CARRIAGE BOLT	2
11	R07794	3/8 FLANGE NUT	2
12	R21287	1/4M x 3/8 SWIVEL ADAPTER	1
13	R08229	1/2" S.S. NYLOC HEX NUT	1
14	R08222	1/2" SAE S.S. FLAT WASHER	2
15	340-36-00-434	WIPER BLOCK	1
16	R20862	3/4" BACKUP #210	1
17	R07885	1/2 - 2 WAY LOCK NUT	1

**10" DISCHARGE PIPE KIT  
(OPTIONAL)**



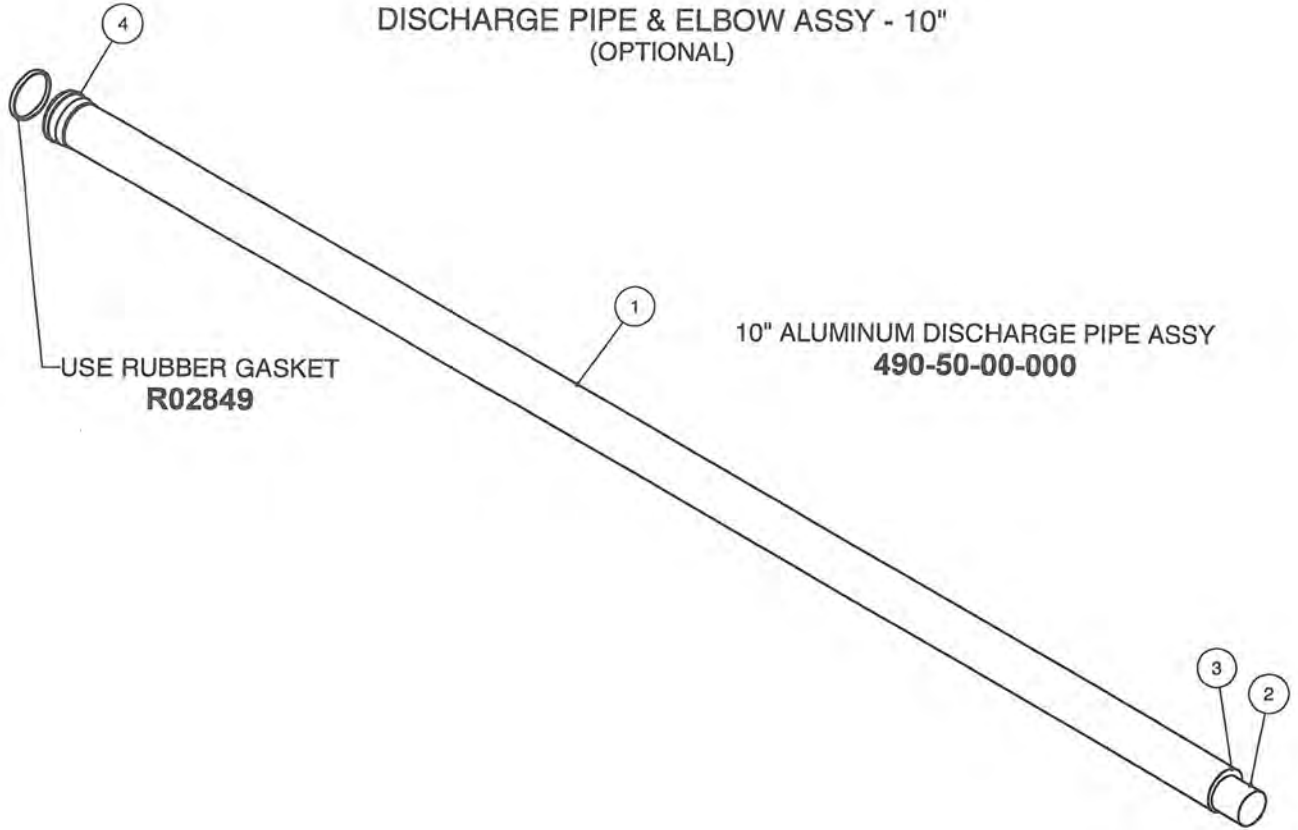
PARTS LIST				PARTS LIST			
ITEM	PART NUMBER	DESCRIPTION	QTY	ITEM	PART NUMBER	DESCRIPTION	QTY
1	286-10-01-000	20 FT DISCHARGE PIPE ASSY - 10"	1	2	286-10-02-000	10" ALUMINUM PUMP ELBOW ASSY	1
1.1	286-10-01-045	DISCHARGE PIPE	1	2.1	286-10-02-044	10" ALUMINUM PIPE ELBOW	1
1.2	286-10-03-000	DISCHARGE PIPE HOOK ASSY	1	2.2	R02504	10 ALUM. BANDLOCK RING	1
1.2.1	286-10-03-060	DISCHARGE PIPE HOOK	1	3	R02492	10" SUPER CLAMP	2
1.2.2	286-10-03-061	LOWER DISCHARGE HOOK	1	4	286-10-00-047	10" FLEX HOSE	1
1.3	R09502	"HUSKY" DECAL	1	5	R07677	1/4 x 3/4 HEX BOLT	4
1.4	R09690	"TIE DOWN" DECAL	1	6	R07781	1/4 HEX NUT	4
1.5	286-10-01-090	10" PIPE HOOK REINFORCING STRAP	1	7	R07821	1/4 FLAT WASHER	4

**10" BANDLOC CLAMP ASSY  
286-13-00-000**



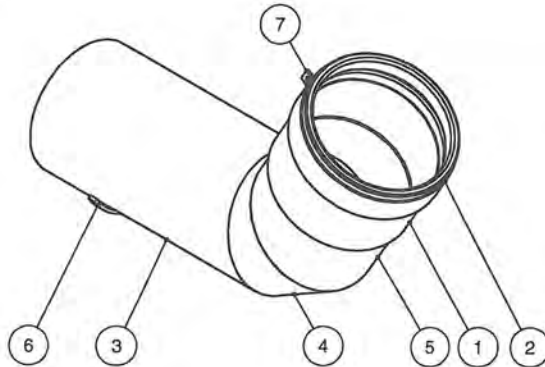
PARTS LIST			
ITEM	PART NUMBER	DESCRIPTION	QTY
1	R02500	10" BANDLOC CLAMP	1
2	250-97-00-297	CLAMP CHAIN	1

DISCHARGE PIPE & ELBOW ASSY - 10"  
(OPTIONAL)



PARTS LIST			
ITEM	PART NUMBER	DESCRIPTION	QTY
1	490-50-00-191	10" ALUMINUM DISCHARGE PIPE	1
2	490-50-00-192	8" ALUMINUM ADAPTER PC	1
3	290-00-00-313	10" TO 8" REDUCER PLATE	1
4	R02983	10" RW COUPLER-NARROW	1

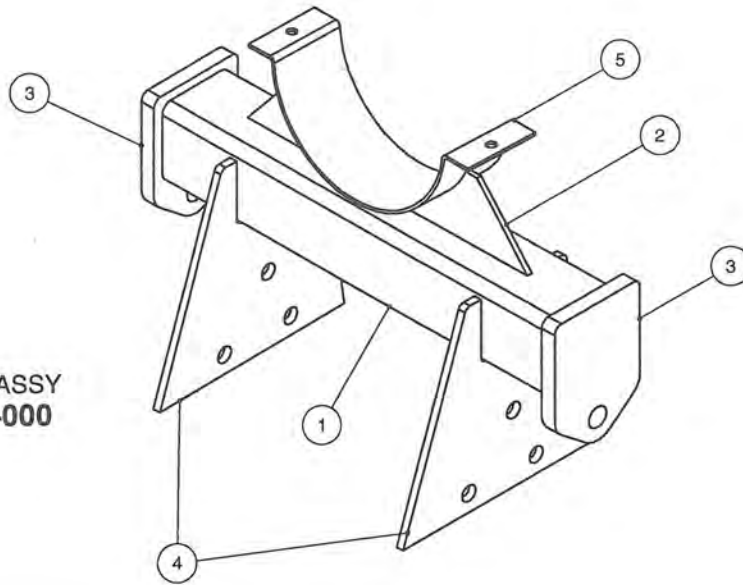
10" UPPER DISCHARGE  
PIPE ELBOW ASSY  
**490-51-00-000**



PARTS LIST			
ITEM	PART NUMBER	DESCRIPTION	QTY
1	286-04-00-030	OUTER EXTENSION PIPE	1
2	286-04-00-029	UPPER COUPLING BASE	1
3	490-51-00-193	ELBOW BOTTOM PC	1
4	490-51-00-194	ELBOW MIDDLE PC	1
5	490-51-00-195	ELBOW TOP PC	1
6	490-51-00-196	10" STOP	1
7	250-96-00-298	CHAIN LUG	1

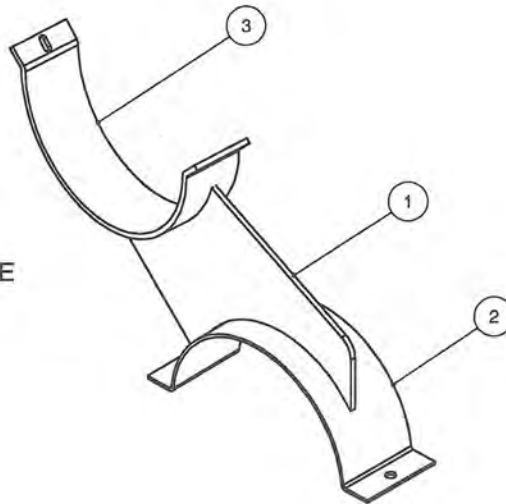
**10" TIE BAR & PIPE HOLDER ASSY  
(OPTIONAL)**

**10" TIE BAR ASSY  
490-42-00-000**



PARTS LIST			
ITEM	PART NUMBER	DESCRIPTION	QTY
1	490-16-11-180	CROSS TUBE	1
2	490-42-00-169	10" SUPPORT HOLDER	1
3	490-16-11-182	CYLINDER LUG	2
4	490-16-11-185	ATTACHMENT PLATE	2
5	291-09-00-317	10" SHORT DISCHARGE SUPPORT	1

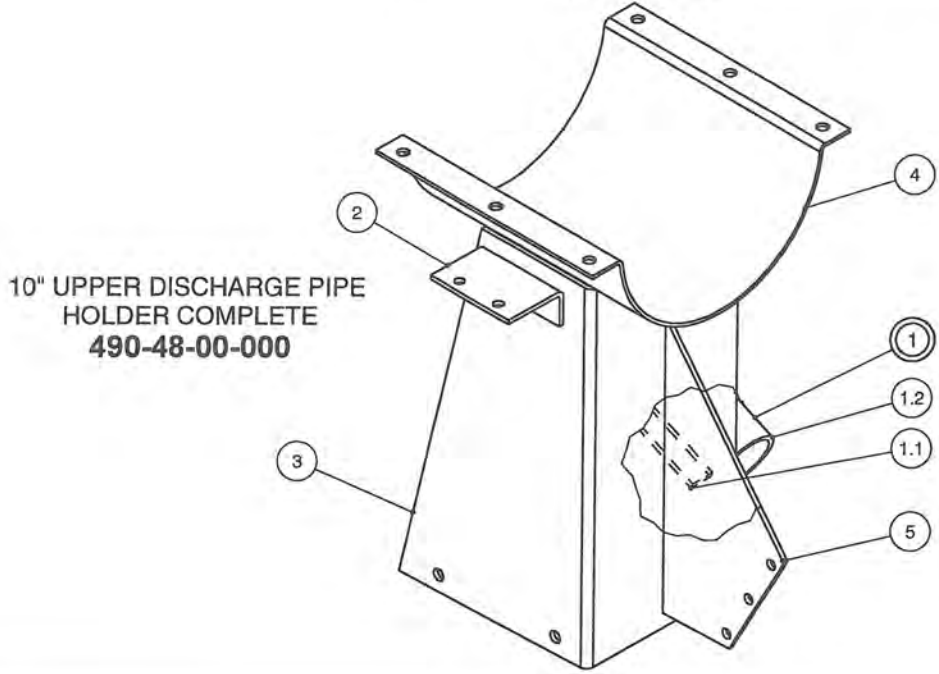
**10" LOWER DISCHARGE  
PIPE HOLDER ASSY  
490-43-00-000**



PARTS LIST			
ITEM	PART NUMBER	DESCRIPTION	QTY
1	490-43-00-170	ATTACHMENT PLATE - 10" PIPE	1
2	291-09-00-317	10" SHORT DISCHARGE SUPPORT	1
3	291-10-00-319	10" CENTER DISCHARGE PIPE HOLDER	1

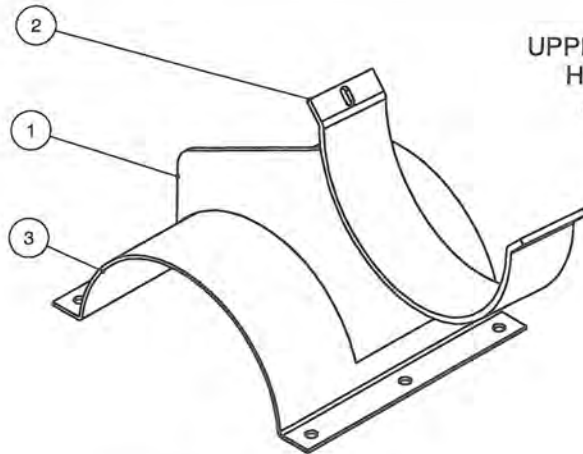


**10" UPPER DISCHARGE PIPE HOLDER ASSY  
(OPTIONAL)**



**10" UPPER DISCHARGE PIPE  
HOLDER COMPLETE  
490-48-00-000**

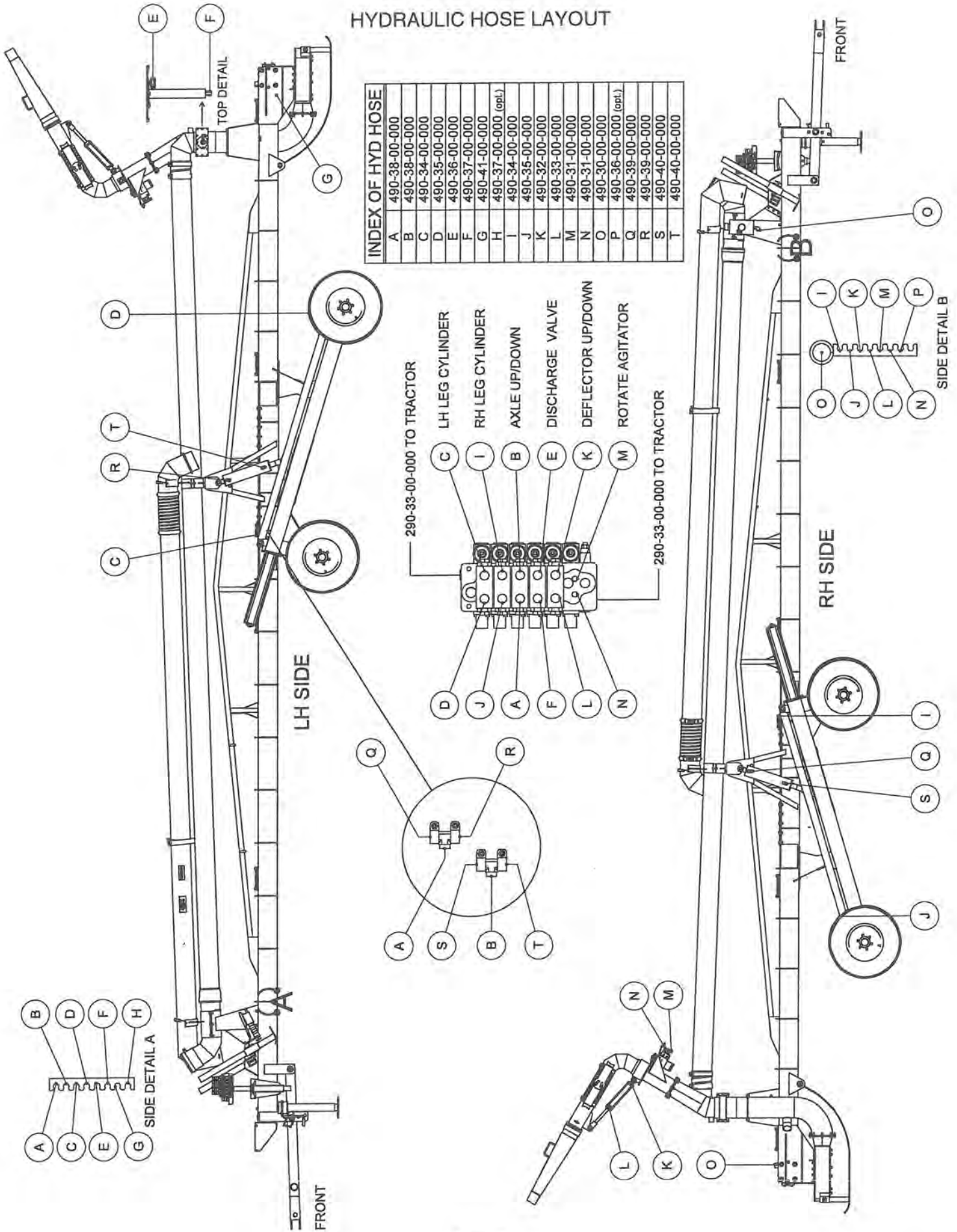
PARTS LIST			
ITEM	PART NUMBER	DESCRIPTION	QTY
1	291-07-08-000	GREASE GUN MOUNT PLATE	1
1.1	291-07-08-310	GREASE GUN HOLDER STANDOFF	1
1.2	291-07-08-309	GREASE GUN HOLDER	1
2	490-21-00-106	ATTACHMENT BRKT	1
3	490-48-00-199	TOP DISCHARGE SUPPORT-10" PIPE	1
4	291-08-00-315	10" CLAMP BRKT	1
5	490-47-00-252	PIPE HOLDER GUSSET	1



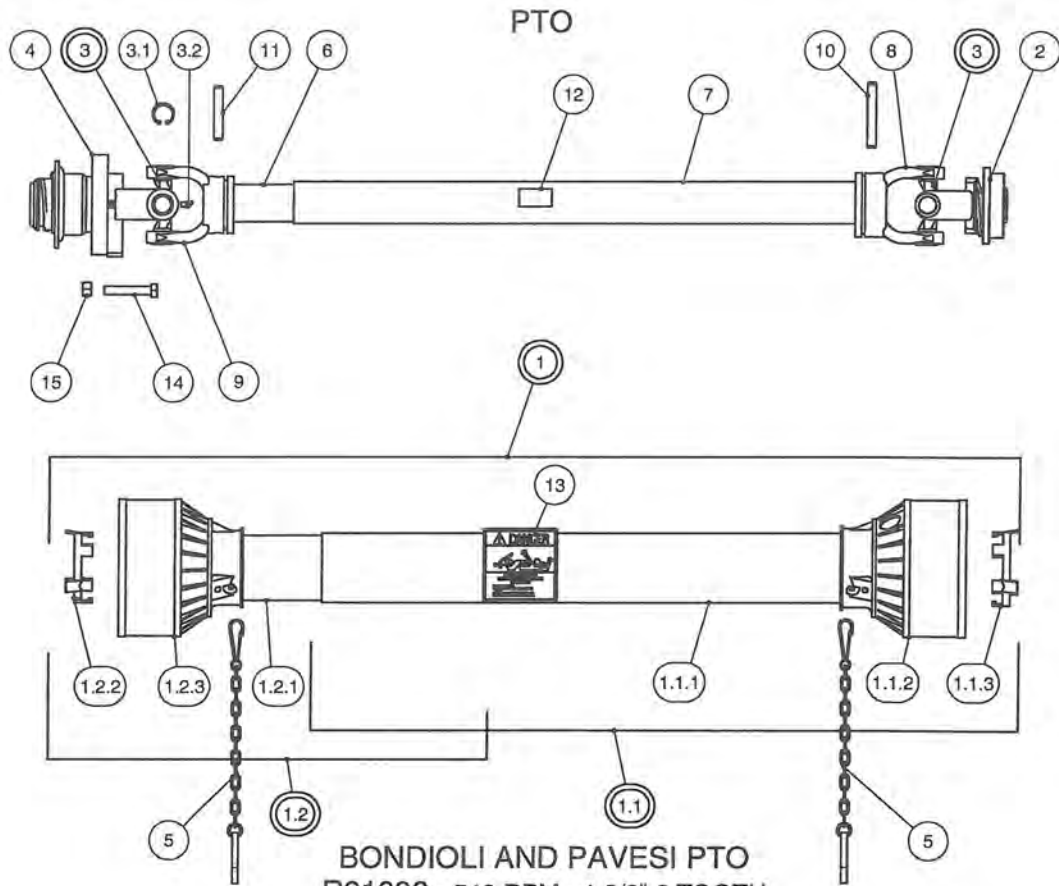
**UPPER DISCHARGE PIPE  
HOLDER ASSY - 10"  
490-44-00-000**

PARTS LIST			
ITEM	PART NUMBER	DESCRIPTION	QTY
1	490-43-00-170	ATTATCHMENT PLATE - 10" PIPE	1
2	291-10-00-319	10" CENTER DISCHARGE PIPE HOLDER	1
3	291-08-00-315	10" CLAMP BRKT	1

# HYDRAULIC HOSE LAYOUT



INDEX OF HYD HOSE	
A	490-38-00-000
B	490-38-00-000
C	490-34-00-000
D	490-35-00-000
E	490-36-00-000
F	490-37-00-000
G	490-41-00-000
H	490-37-00-000 (opt.)
I	490-34-00-000
J	490-35-00-000
K	490-32-00-000
L	490-33-00-000
M	490-31-00-000
N	490-31-00-000
O	490-30-00-000
P	490-36-00-000 (opt.)
Q	490-39-00-000
R	490-39-00-000
S	490-40-00-000
T	490-40-00-000



**BONDIOLI AND PAVESI PTO**  
**R21606 - 540 RPM - 1 3/8" 6 TOOTH**  
**R21607 - 1000 RPM - 1 3/8" 21 TOOTH**  
**R21649 - 1000 RPM - 1 3/4" 20 TOOTH**

PARTS LIST				
ITEM	MFG NUMBER	PART NUMBER	DESCRIPTION	QTY
1	5F08101FFFX	R21629	SAFETY GUARD COMPLETE	1
1.1	5FE8101FFFX	R21627	HALF SAFETY GUARD - OUTER	1
1.1.1	236850732	R21618	CM SAFETY TUBE	1
1.1.2	517080130	R21610	OUTER CONE SETS N8-9	1
1.1.3	255080005R02	R21609	I. BEARING 3-4	1
1.2	5F18101FFFX	R21628	HALF SAFETY GUARD - INNER	1
1.2.1	236840732	R21617	CM SAFETY TUBE	1
1.2.2	255080006R02	R21608	SHIELD SUPPORT8-9-0	1
1.2.3	517080120	R21611	INNER CONE SETS N8-9	1
2	5720M0376	R22330	1 3/8 - 6 TOOTH QD YOKE w/ SLEEVES 540 RPM	1
2	572S93752	R22332	1 3/8 - 21 TOOTH QD YOKE w/SLEEVES 1000 RPM	1
2		R22333	1 3/4 - 20 TOOTH QD YOKE w/SLEEVES 1000 RPM	1
3	41208	R21614	CROSS JOURNAL ASSY	2
3.1	338023000	R21621	CIRCLIP	8
3.2	348004000	R21655	GREASE NIPPLE 45 DEG	2
4	6060M3901R	R22331	1 3/4" - 27 TOOTH TORQUE LIMITER w/ SLIDE COLLAR	1
5	252000005	R21738	SHIELD TIE CHAIN	2
6	225690803	R21615	CARDAN TUBE - INNER	1
7	225730803	R21616	CARDAN TUBE - OUTER	1
8	204086860	R21620	OUTER TUBE YOKE	1
9	204086861	R21619	INNER TUBE YOKE	1
10	341054000	R21613	FLEXIBLE PIN	1
11	341055000R10	R21612	FLEXIBLE PIN	1
12	383334	R21523	"SHIELD MISSING" DECAL	1
13	383333	R21521	"ROTATING DRIVE LINE" DECAL	1
14		R21602	M12 - 1.75 x 65 HEX BOLT	1
15		R21604	M12 - 1.75 LOCK NUT	1

## **GUARANTEE**

All Husky Farm Equipment manufactured by Husky Farm Equipment Limited is guaranteed. Guarantee covers all the replacement cost or repair of all parts said to be defective from manufacture. Guarantee also covers labour installing said parts, if installed at Husky Manufacturing plant. Time and use is the essence of the guarantee. If equipment is used on a private property for an individual's use, guarantee will be in effect for twelve months from date of invoice. If equipment is used for commercial use to do custom work for money then guarantee will be in effect for three months only from date of invoice.

## **EXEMPTIONS FROM GUARANTEE**

Cost of transportation of equipment to or from Husky Farm Equipment Limited either by customer or by Husky's service staff or cost of mail or public transportation is not covered. Tires and electric or hydraulic motors are covered by manufacturer's warranty and although Husky may assist to get warranty, Husky will not be responsible other than that allowed by manufacturer's warranty. Items subject to normal wear from use not covered by guarantee if faulty part is simply worn.