

Date Purchased _____ Machine Serial No. _____

Size of Pump _____ Options _____

The key number system in this parts book is arranged as follows:

- Key numbers with two circles denotes main assemblies.
- Key numbers with one circle are individual parts

Please order parts by number



PL497 LAGOON

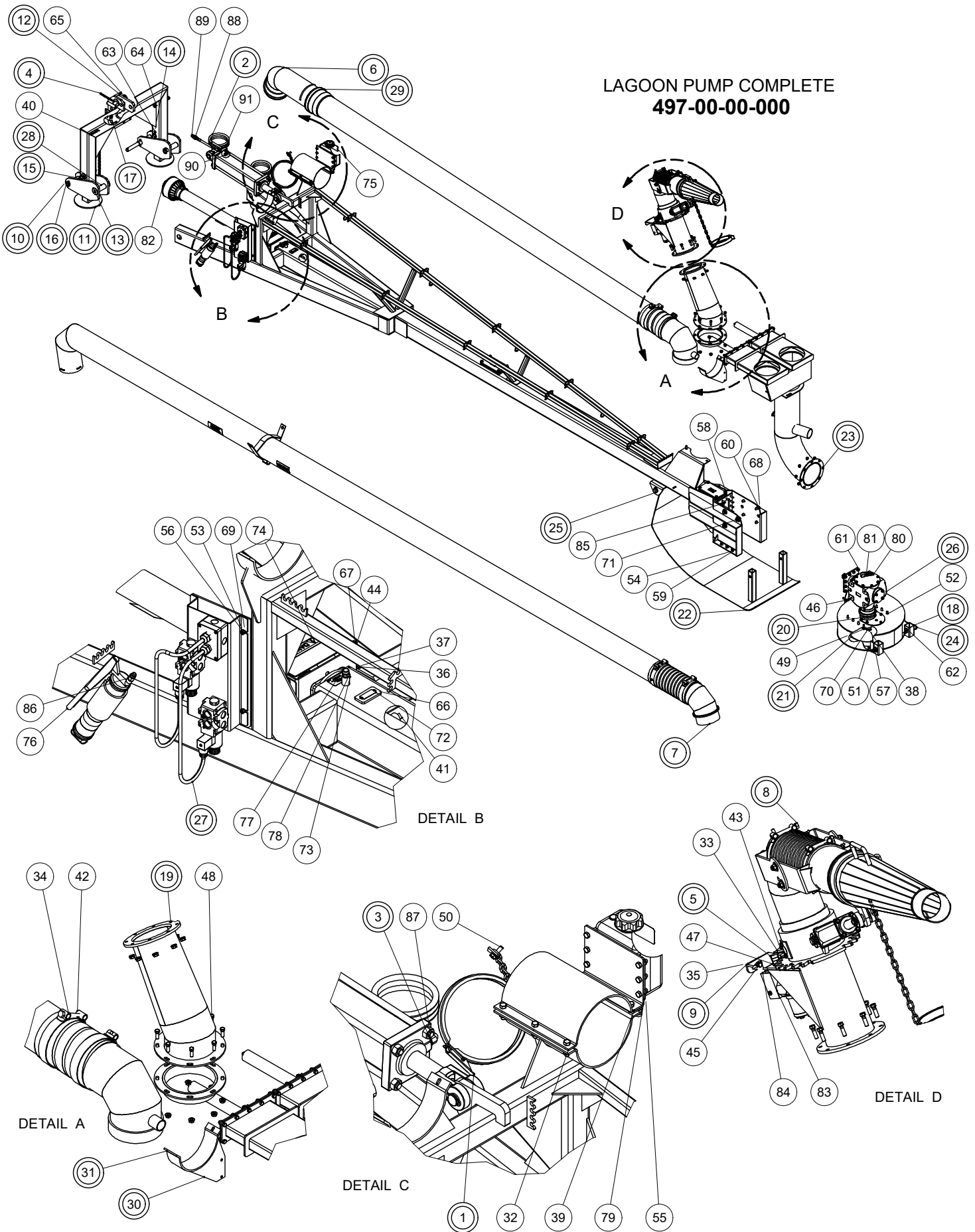
HUSKY LIQUID MANURE PUMP

497-00-00-000

OPERATING INSTRUCTIONS:

1. Lagoon pump is designed to run at 1000 RPM and will consume up to 150 HP.
2. Always check PTO that both knuckles have equal amount of bend when working – if not adjust tongue angle accordingly.
3. Do not try and extend wheels if pump is under heavy crust as it may collapse the undercarriage.
4. Before operating the pump, extend stabilizer legs to support the pump while agitating. If not supported, pump could roll over while agitating.
5. Make sure discharge pipe is securely fastened to pump prior to pumping.
6. Do not over rev. tractor while pumping as discharge spout will lift into air. Always tie down discharge pipe.
7. Always remove pump from pit and wash off thoroughly after each use.
8. **EXTREME DANGER** – Never enter a dirty manure spreader or storage tank – one breath of hydrogen sulphide gas is enough to kill. Have a ladder in your pit, so that if by accident you should fall in, you can get out.
9. For open centre hydraulic tractors, use short plug on right hand end of hydraulic valve. For closed centre hydraulics use long plug with O ring. (Oil must flow in left hand end of valve).

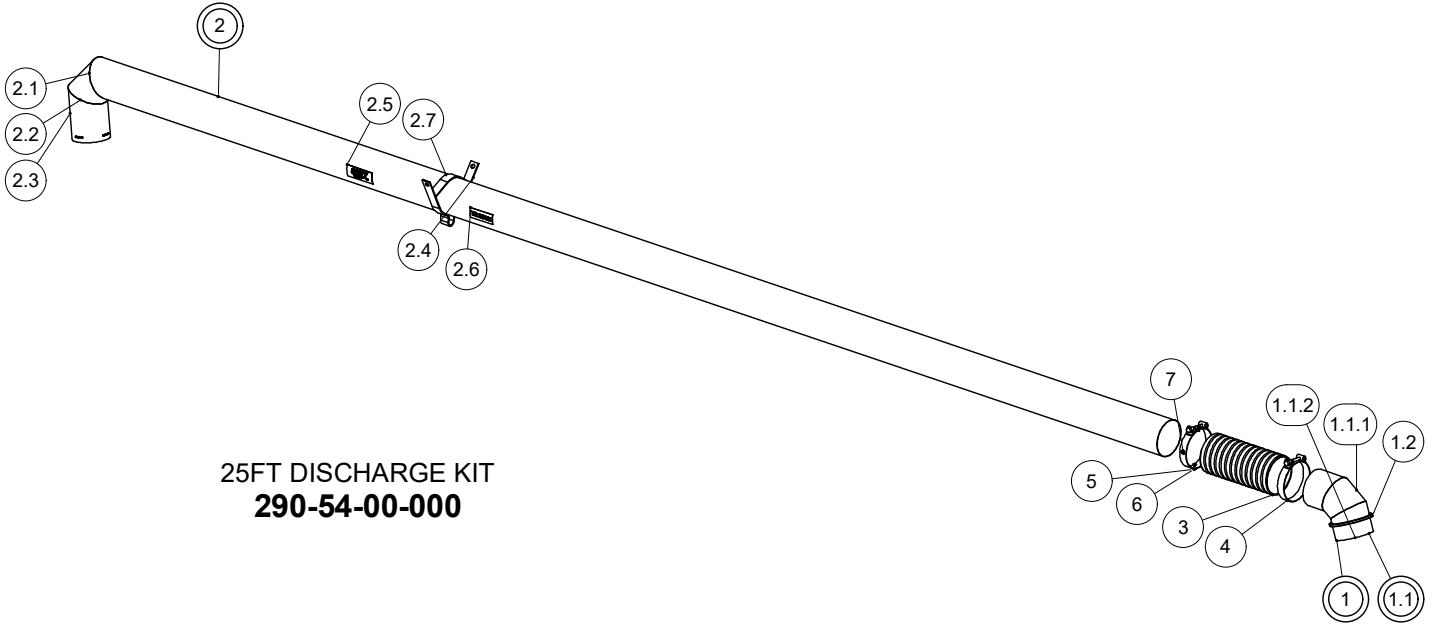
LAGOON PUMP COMPLETE



LAGOON PUMP COMPLETE

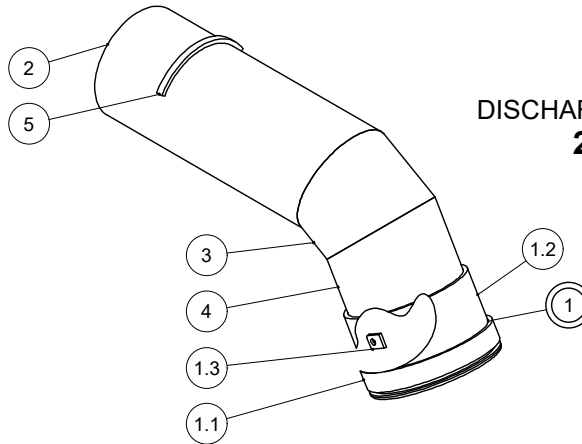
PARTS LIST				PARTS LIST			
ITEM	PART NUMBER	DESCRIPTION	QTY	ITEM	PART NUMBER	DESCRIPTION	QTY
1	244-09-00-000	8" CLAMP & CHAIN ASSY	1	47	R07670	3/8-16 UNC x 0.875 HEX BOLT GR.5	4
2	250-87-51-000	HYDRAULIC HOSE ASSY	1	48	R07671	7/16-14 UNC x 1.25 HEX BOLT GR.5	16
3	250-87-52-000	HYDRAULIC HOSE ASSY	1	49	R07676	5/16-18 UNC x 0.75 HEX BOLT GR.5	2
4	280-23-05-000	PIVOT BRKT PIN ASSY	1	50	R07721	3/8-16 UNC x 1 CARRIAGE BOLT Gr.5	1
5	290-25-00-000	6 TOOTH SPROCKET ASSY	1	51	R07731	7/16-14 UNC x 1 CARRIAGE BOLT Gr.5	6
6	290-53-00-000	DISCHARGE TOP ELBOW ASSY	1	52	R07742	1/2-13 UNC x 1.25 CARRIAGE BOLT Gr.5	8
7	290-54-00-000	25FT DISCHARGE KIT	1	53	R07781	1/4-20 UNC HEX NUT - ZINC	4
8	291-16-00-000	AGITATOR KIT COMPLETE w/ CONE	1	54	R07785	1/2-13 UNC HEX NUT - ZINC	16
9	296-06-06-000	VALVE TO ROTATOR PIPE ASSY	1	55	R07794	3/8-16 UNC FLANGE NUT - ZINC	8
10	480-01-00-000	HITCH FRAME ASSY	1	56	R07801	1/4 LOCK WASHER - ZINC	5
11	480-06-00-000	STAND ASSY	2	57	R07802	5/16 LOCK WASHER - ZINC	2
12	480-07-00-000	CYLINDER BAR ASSY	1	58	R07804	7/16 LOCK WASHER - ZINC	8
13	480-08-00-000	PIVOT PIN ASSY	2	59	R07805	1/2 LOCK WASHER - ZINC	16
14	480-09-00-000	CYLINDER PIN ASSY	1	60	R07826	5/8 FLAT WASHER STD - ZINC	8
15	480-15-00-000	LEG PIN ASSY	2	61	R07879	7/16-14 UNC FLANGE NUT - ZINC	49
16	480-24-00-000	CAT 11 & 111 HITCH PIN KIT	2	62	R07948	5/32 HAIR PIN	2
17	480-25-00-000	CAT 11 & 111 TOP LINK PIN KIT	1	63	R08016	1/4 x 2 COTTER PIN	1
18	490-01-00-000	HOUSING ASSY	1	64	R08040	7/16" LYNCH PIN	5
19	490-02-01-000	AGITATOR EXTENSION PIPE ASSY	1	65	R08041	1/4" LYNCH PIN	1
20	490-05-00-000	CHT IMPELLER ASSY	1	66	R08152	#6 x 1/4" PAN HD SOCKET SCREW	2
21	490-06-00-000	CHT COVER PLATE ASSY	1	67	R08247	3/8-16 UNC NYLOCK NUT - ZINC	2
22	490-09-00-000	SLIDE ASSY	1	68	R08349	M16 - 2.00 x 30 METRIC HEX BOLT	8
23	490-22-00-000	2 VALVE VERTICAL DISCHARGE ASSY	1	69	R08350	1/4-20 UNC x 0.625 HEX BOLT GR.5	4
24	490-45-00-000	SMALL PIN ASSY-SLIDE	2	70	R08357	M16 x 50 METRIC HEX BOLT	1
25	490-46-00-000	LONG PIN ASSY	1	71	R08360	M16 LOCK WASHER	8
26	490-49-00-000	490 LAGOON GEARBOX COMPLETE	1	72	R09071	SERIAL NUMBER PLATE	1
27	490-59-00-000	ELECTRO-HYD DIVERTER VALVE KIT	1	73	R09582	GREASE SYMBOL DECAL	3
28	497-01-00-000	UPPER SHAFT TUBE ASSY	1	74	R09785	"DANGER ROTATING DRIVELINE"	1
29	497-02-00-000	ALUMINUM DISCHARGE PIPE ASSY	1			DECAL	
30	497-04-00-000	DISCHARGE PIPE SUPPORT	1	75	R10333	OIL LEVEL DECAL	1
31	497-05-00-000	TUBE COVER PLATE ASSY	3	76	R10351	GREASE GUN	1
32	242-00-00-221	CONE CLAMP ON BRKT	1	77	R20180	45mm - 4 BOLT FLANGE BEARING	2
33	290-00-00-098	SLEEVE CAP	1	78	R20685	3/8" NPT VENT PLUG	1
34	290-00-00-120	8" CONNECTOR HOSE	1	79	R21132	3QT TANK RESERVOIR	1
35	290-00-00-167	HYDRAULIC HOSE CLIP	1	80	R21241	3/4" MALE SOLID STEM	2
36	296-00-00-033	PTO GUARD	1	81	R21368	3/4" x 90 HYD ELBOW	1
37	485-00-00-047	PTO GUARD BRKT	1	82	R21606	540 RPM PTO	1
38	490-00-00-187	IMPELLER BOLT LOCK PLATE	1	83	R22255	M&S HYD MOTOR MLHPQ400C4UPE	1
39	497-01-00-025	ATTACHMENT BRKT	1	84	R22256	OVER CENTER VALVE - M&S MOTOR	1
40	497-01-00-042	4 SLOT HYD HOSE HOLDER-DB	1	85	R22451	#8 UNSHIELDED DRIVELINE - 1 3/4-27	2
41	R02153	3/4" SQ HEAD PLUG - NPT	1	86	R23049	3/8" JIC M. x 1/8" NPT M.	1
42	R02484	8" SUCTION HOSE CLAMP	2	87	R23091	ORB-8 X 3/8" JIC M ADAPTOR	3
43	R07601	1/4-20 UNC x 1 HEX BOLT GR.5	1	88	R23094	ORB-10 x 3/8" JIC M ADAPTOR	4
44	R07619	3/8-16 UNC x 1 HEX BOLT GR.5	8	89	R23182	MALE PIONEER TIP-ORB-10	2
45	R07620	3/8-16 UNC x 1.5 HEX BOLT GR.5	1	90	R23191	3/8" JIC M x ORB-8 M RESTRICTOR	1
46	R07629	7/16-14 UNC x 1.5 HEX BOLT GR.5	23	91	R23321	50TH16 HYD CYL-ORB	1

25 FT DISCHARGE KIT AND ELBOW ASSY



**25FT DISCHARGE KIT
290-54-00-000**

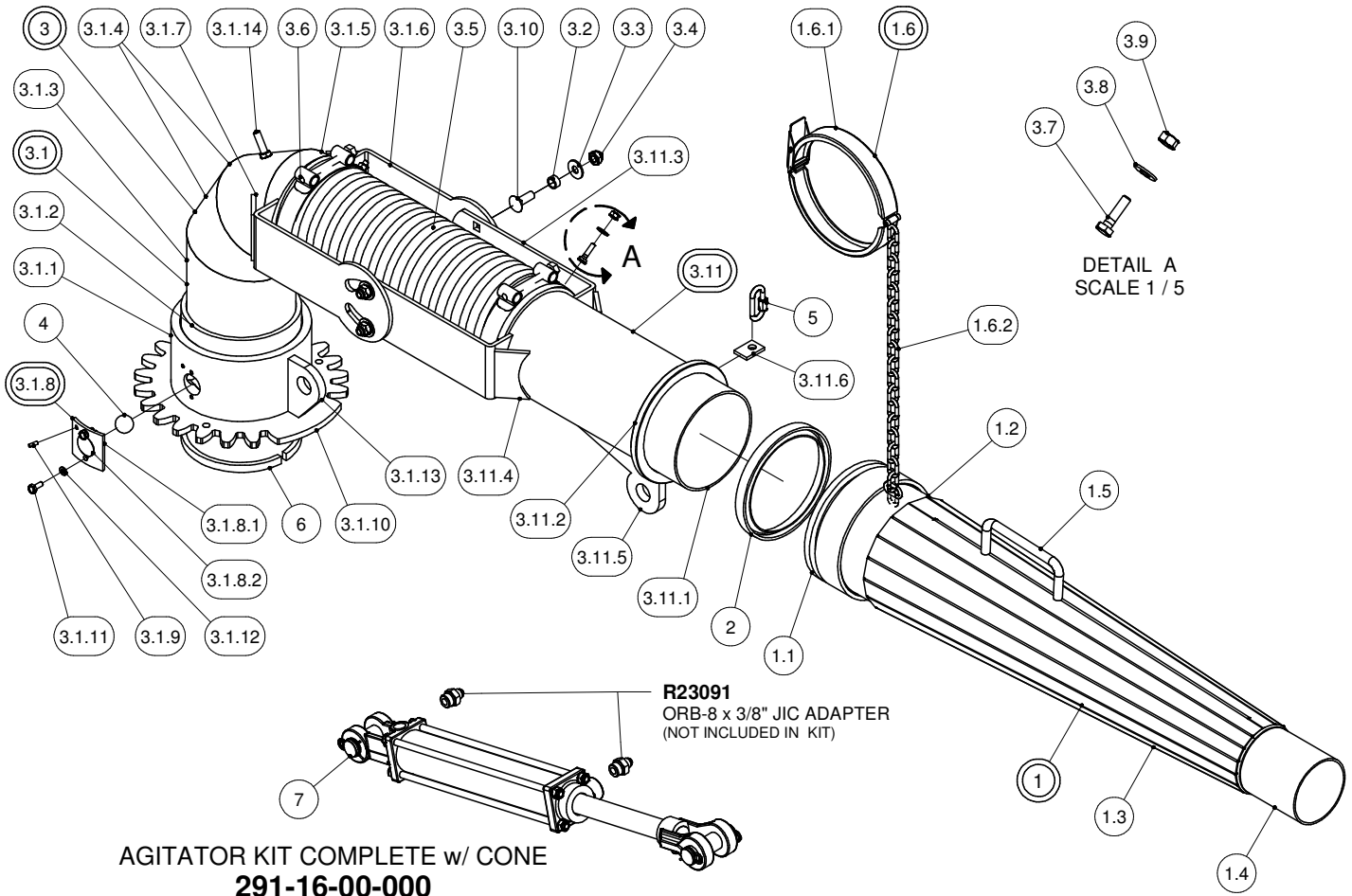
PARTS LIST				PARTS LIST			
ITEM	PART NUMBER	DESCRIPTION	QTY	ITEM	PART NUMBER	DESCRIPTION	QTY
1	244-08-00-000	PUMP ELBOW w/ RING ASSY	1	2.4	242-30-00-148	DISCHARGE PIPE HOOK	1
1.1	242-28-00-000	PUMP ELBOW ASSY	1	2.5	R09502	"HUSKY" DECAL	1
1.1.1	242-28-00-139	PUMP ELBOW MIDDLE SECTION	1	2.6	R09690	"TIE DOWN" DECAL	1
1.1.2	242-28-00-140	PUMP ELBOW UPPER SECTION	2	2.7	242-30-00-528	8" PIPE HOOK REINFORCING STRAP	1
1.2	244-08-00-307	CLAMP RING	1	3	242-00-00-141	FLEXIBLE HOSE SECTION	1
2	270-53-24-000	25FT DISCHARGE PIPE ASSY	1	4	R02484	8" SUCTION HOSE CLAMP	2
2.1	270-53-24-155	25 FT DISCHARGE PIPE	1	5	R07601^	1/4 x 1 HEX BOLT	4
2.2	242-30-00-146	DISCHARGE ELBOW CENTER PC	1	6	R07781^	1/4 HEX NUT	4
2.3	242-30-00-147	DISCHARGE ELBOW END PC	1	7	R07821^	1/4 FLAT WASHER	4



**DISCHARGE TOP ELBOW ASSY
290-53-00-000**

PARTS LIST				PARTS LIST			
ITEM	PART NUMBER	DESCRIPTION	QTY	ITEM	PART NUMBER	DESCRIPTION	QTY
1	290-53-01-000	UPPER EXTENSION PIPE ASSY	1	2	290-26-00-108	ELBOW BOTTOM PC	1
1.1	244-07-01-306	COUPLING BASE	1	3	290-26-00-109	ELBOW MIDDLE PC	1
1.2	242-09-09-048	EXTENSION PIPE	1	4	290-26-00-110	ELBOW TOP PC	1
1.3	250-96-00-298	CHAIN LUG	1	5	290-26-00-111	STOP	1

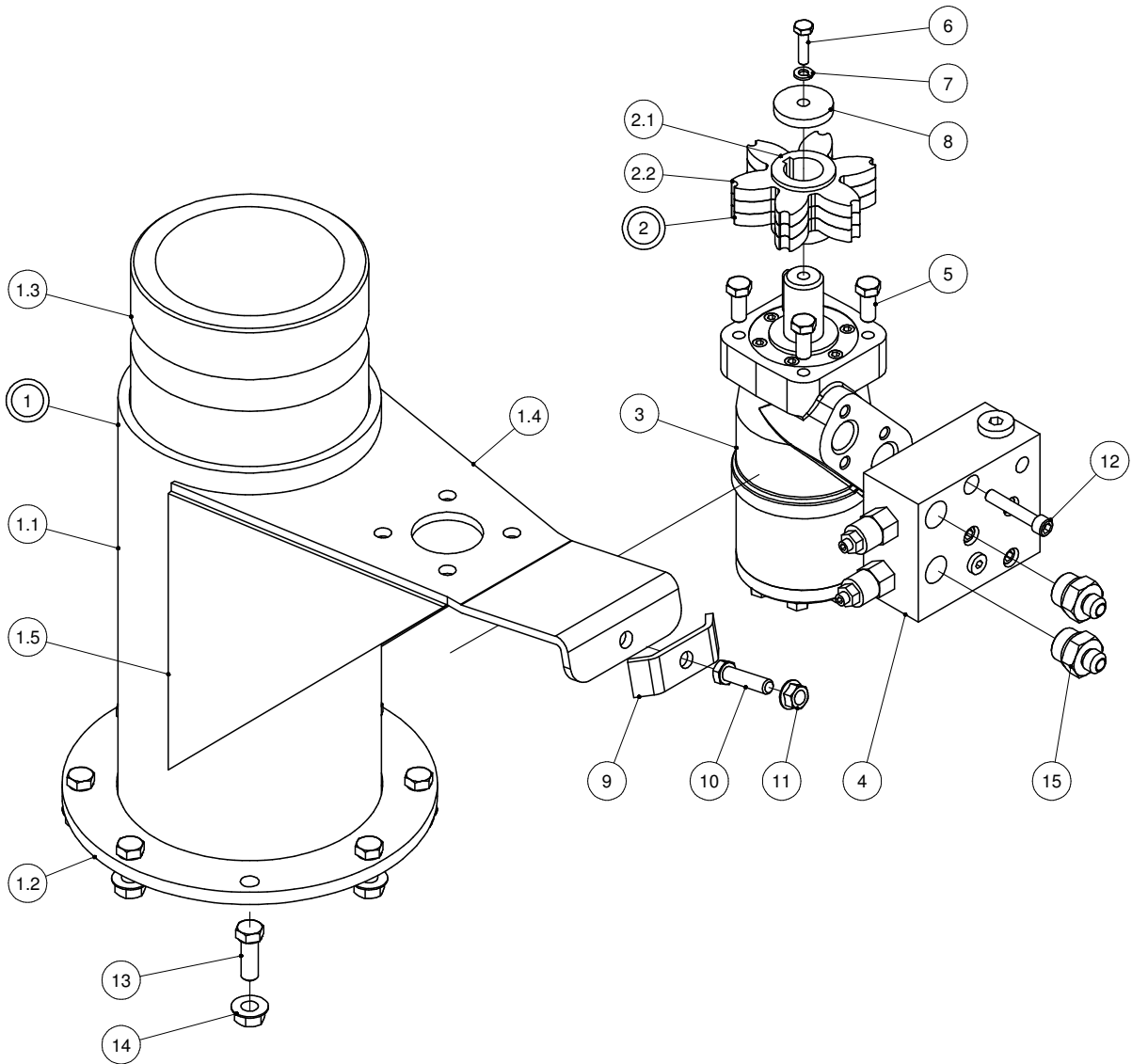
AGITATOR KIT COMPLETE



AGITATOR KIT COMPLETE w/ CONE
291-16-00-000

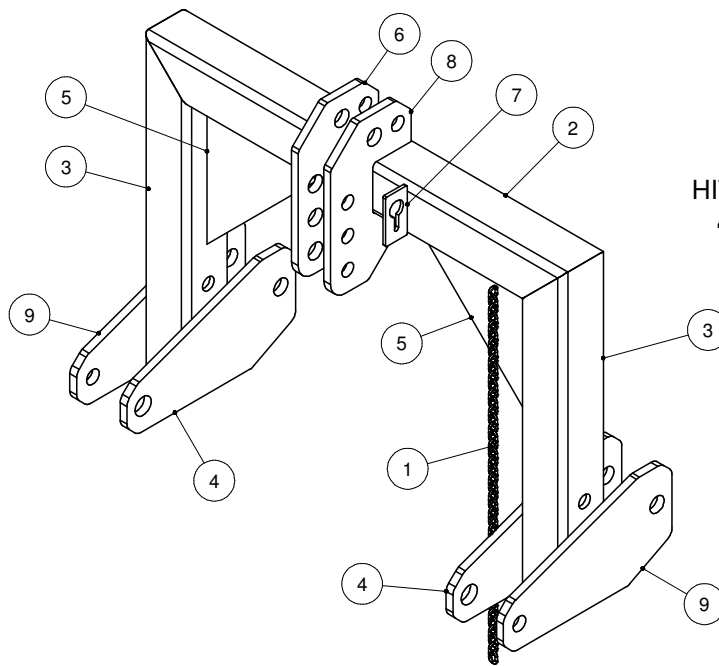
PARTS LIST				PARTS LIST			
ITEM	PART NUMBER	DESCRIPTION	QTY	ITEM	PART NUMBER	DESCRIPTION	QTY
1	244-12-07-000	CONE ASSY	1	3.1.11	R08233	1/4 x 5/8 SS HEX CAP SCREW	2
1.1	250-96-01-296	6" COUPLING BASE TUBE	1	3.1.12	R07801	1/4 LOCK WASHER	2
1.2	244-12-02-311	FILLER PIPE	1	3.1.13	291-16-05-353	INNER CYLINDER BRKT	1
1.3	244-12-03-314	CONE (HALF)	2	3.1.14	R07675	3/8 x 1 1/4 UNC HEX BOLT	1
1.4	244-12-05-319	STUB TUBE	1	3.2	244-05-00-281	SPACER PIPE	4
1.5	244-12-03-341	CONE HANDLE	1	3.3	R07824	7/16 FLAT WASHER	4
1.6	244-99-00-000	CLAMP & CHAIN ASSY	1	3.4	R08178	7/16 NYLOCK HEX NUT	4
1.6.1	R02487	6" RING LOCK CLAMP	1	3.5	270-63-00-187	FLEX HOSE	1
1.6.2	244-99-00-527	CLAMP CHAIN	1	3.6	R02482	6" HOSE CLAMP	2
2	R02366	6" RUBBER GASKET	2	3.7	R07601	1/4 x 1 HEX BOLT	4
3	291-16-03-000	AGITATOR SWIVEL KIT w/ RING	1	3.8	R07821	1/4 FLAT WASHER	4
3.1	291-16-05-000	AGITATOR ELBOW ASSY-2005	1	3.9	R07781	1/4 HEX NUT	4
3.1.1	290-30-00-128	OUTER ROLLER SLEEVE	1	3.10	R07774	7/16 x 1 1/4" GR 5 CARRIAGE BOLT	4
3.1.2	290-30-00-114	FILLER PIPE	1	3.11	291-16-04-000	CONE EXTENSION ASSY w/ RING	1
3.1.3	290-30-00-115	ELBOW BASE PC	1	3.11.1	291-16-04-355	EXTENSION PIPE	1
3.1.4	290-30-00-116	ELBOW MIDDLE PC	2	3.11.2	250-95-00-295	CLAMP RING	1
3.1.5	290-30-00-117	ELBOW TOP PC	1	3.11.3	244-05-46-277	INNER PIVOT BRKT	2
3.1.6	244-05-43-276	MAIN PIVOT BRKT	2	3.11.4	244-05-46-301	GUSSET	2
3.1.7	244-05-46-301	GUSSET	2	3.11.5	291-16-04-356	CYLINDER BRKT	1
3.1.8	275-05-00-000	CAP ASSY	1	3.11.6	250-96-00-298	CHAIN LUG	1
3.1.8.1	275-05-00-032	CAP PLATE	1	4	R20219	1" NYLON BALL	19
3.1.8.2	275-05-00-031	CAP PLUG	1	5	R08435	1/4 Quick Link	1
3.1.9	R08237	3/16 x 1/2 SS ROLL PIN	1	6	291-16-00-358	ROTATE GUIDE SLEEVE	1
3.1.10	290-30-00-118	ROTATOR SPROCKET	1	7	R23268	20TH10 HYD CYL-ORB	1

ROTATE MOTOR AND PIPE



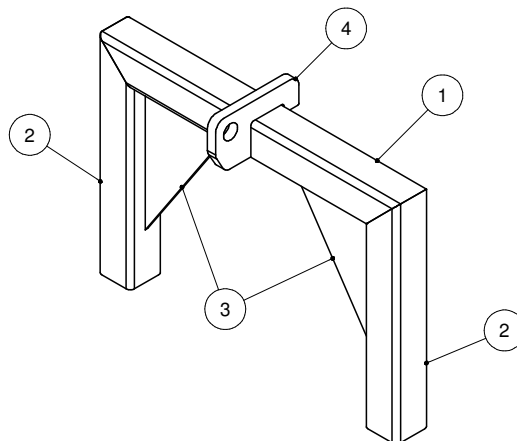
PARTS LIST				PARTS LIST			
ITEM	PART NUMBER	DESCRIPTION	QTY	ITEM	PART NUMBER	DESCRIPTION	QTY
1	296-06-06-000	VALVE TO ROTATOR PIPE ASSY	1	5	R07670	3/8 x 7/8 UNC HEX BOLT	4
1.1	296-06-06-049	LONG EXTENSION PIPE	1	6	R07601	1/4 x 1 UNC HEX BOLT	1
1.2	296-06-00-102	FLANGE	1	7	R07801	1/4" LOCK WASHER	1
1.3	290-18-00-090	INNER ROLLER HOLDER	1	8	290-00-00-098	SLEEVE CAP	1
1.4	296-06-07-118	HYDRAULIC MOTOR MOUNT PLATE	1	9	290-00-00-167	HYDRAULIC HOSE CLIP	1
1.5	296-06-07-119	MT PLATE SIDES	2	10	R07620	3/8 x 1 1/2 UNC HEX BOLT	1
2	290-25-00-000	6 TOOTH SPROCKET ASSY	1	11	R07794	3/8-16 UNC FLANGE NUT	1
2.1	290-25-00-097	SPROCKET SLEEVE	1	12	R08175	5/16 x 1 3/4 UNC SHCS	4
2.2	290-25-00-096	6 TOOTH SPROCKET	3	13	R07671	7/16 x 1 1/4 UNC HEX BOLT	8
3	R22255	M&S HYDRAULIC MOTOR	1	14	R07879	7/16-14 UNC FLANGE NUT	8
4	R22256	OVER CENTER VALVE - M&S MOTOR	1	15	R23094	ORB-10 x 3/8" JIC M ADAPTOR	2

HITCH FRAMES



**HITCH FRAME ASSY
480-01-00-000**

PARTS LIST			
ITEM	PART NUMBER	DESCRIPTION	QTY
1	480-01-00-044	PTO RETAINING CHAIN	1
2	480-01-00-002	HITCH FRAME TOP PC	1
3	480-01-00-001	HITCH FRAME SIDE	2
4	480-01-00-005	HITCH PLATE	2
5	480-01-00-004	GUSSET	2
6	480-01-00-003	UPPER LINK CONN PLATE	1
7	480-01-00-008	CHAIN BRKT	1
8	480-01-00-093	OUTER UPPER LINK CONN PLATE	1
9	480-01-00-091	HITCH PLATE	2

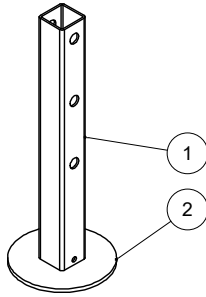


**FRAME SUB ASSY
480-03-02-000**

PARTS LIST			
ITEM	PART NUMBER	DESCRIPTION	QTY
1	480-03-00-020	TOP CROSS TUBE	1
2	480-03-00-019	VERTICAL TUBE	2
3	480-03-00-022	GUSSET	2
4	480-03-00-025	BAR BRACKET	1

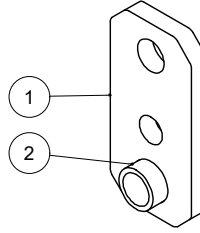
HITCH FRAME COMPONENTS

**STAND ASSY
480-06-00-000**



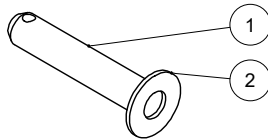
PARTS LIST			
ITEM	PART NUMBER	DESCRIPTION	QTY
1	480-06-00-045	STAND LEG	1
2	480-06-00-046	STAND FOOT	1

**CYLINDER BAR ASSY
480-07-00-000**



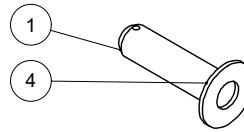
PARTS LIST			
ITEM	PART NUMBER	DESCRIPTION	QTY
1	480-07-00-047	CYLINDER BAR	1
2	480-07-00-049	BUSHING	1

**PIVOT PIN ASSY
480-08-00-000**



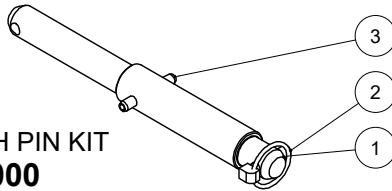
PARTS LIST			
ITEM	PART NUMBER	DESCRIPTION	QTY
1	480-08-00-048	PIVOT PIN	1
2	R07828	1 FLAT WASHER STD - ZINC	1

**CYLINDER PIN ASSY
480-09-00-000**



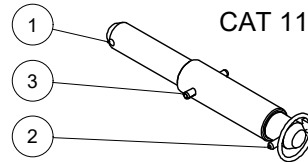
PARTS LIST			
ITEM	PART NUMBER	DESCRIPTION	QTY
1	480-09-00-050	CYLINDER BAR PIN	1
4	R07828	1 FLAT WASHER STD - ZINC	1

**CAT 11 & 111 HITCH PIN KIT
480-24-00-000**



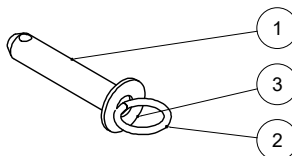
PARTS LIST			
ITEM	PART NUMBER	DESCRIPTION	QTY
1	480-24-00-092	CAT 11 & 111 HITCH PIN	1
2	R08040	7/16" LYNCH PIN	1
3	R07990	3/8 x 2 1/2 ROLL PIN - BLK	1

**CAT 11 & 111 TOP LINK PIN KIT
480-25-00-000**



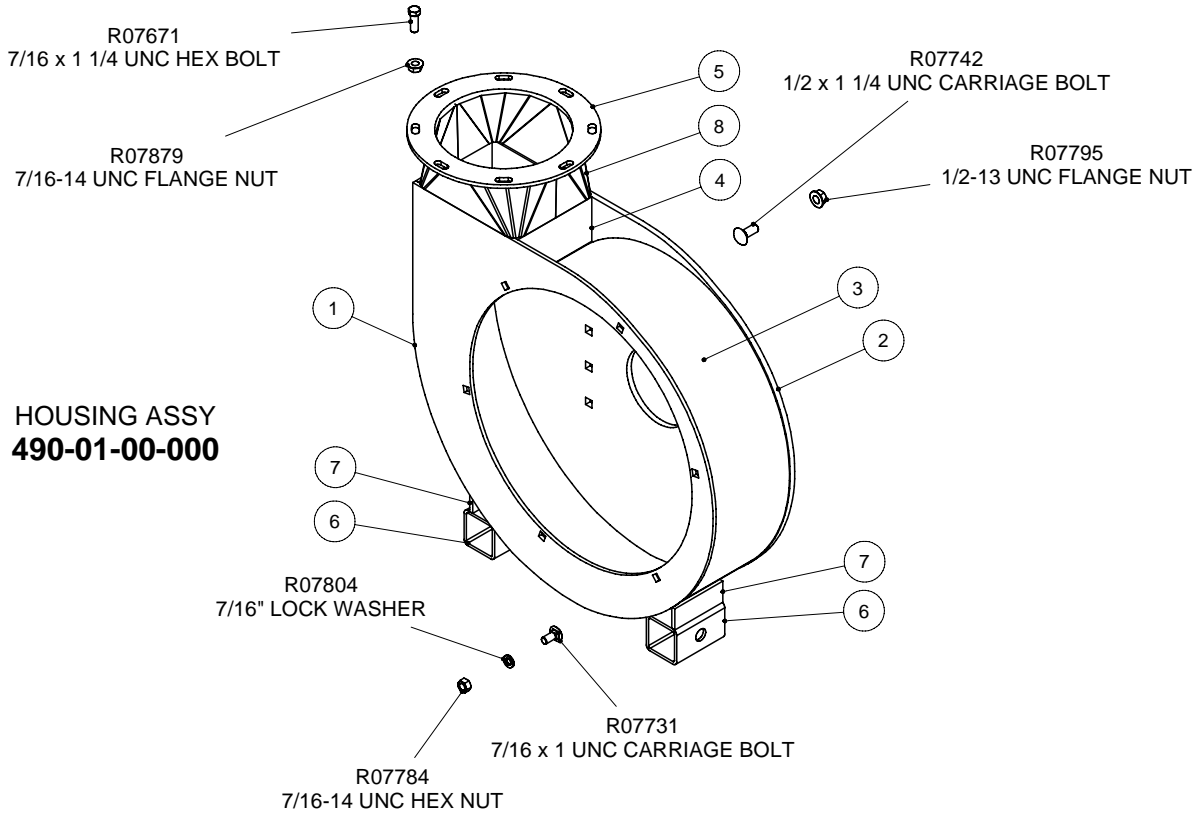
PARTS LIST			
ITEM	PART NUMBER	DESCRIPTION	QTY
1	480-25-00-094	CAT 11 & 111 TOP LINK PIN	1
2	R08041	1/4" LYNCH PIN	1
3	R07942	1/4 x 2 ROLL PIN - BLK	1

**LEG PIN ASSY
480-15-00-000**



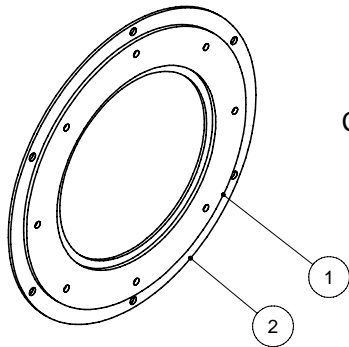
PARTS LIST			
ITEM	PART NUMBER	DESCRIPTION	QTY
1	480-15-00-068	LEG PIN	1
2	250-00-00-354	1/4 X 1 1/2" RING	1
3	R07827	3/4 FLAT WASHER STD - ZINC	1

HOUSING & COVER PLATE



**HOUSING ASSY
490-01-00-000**

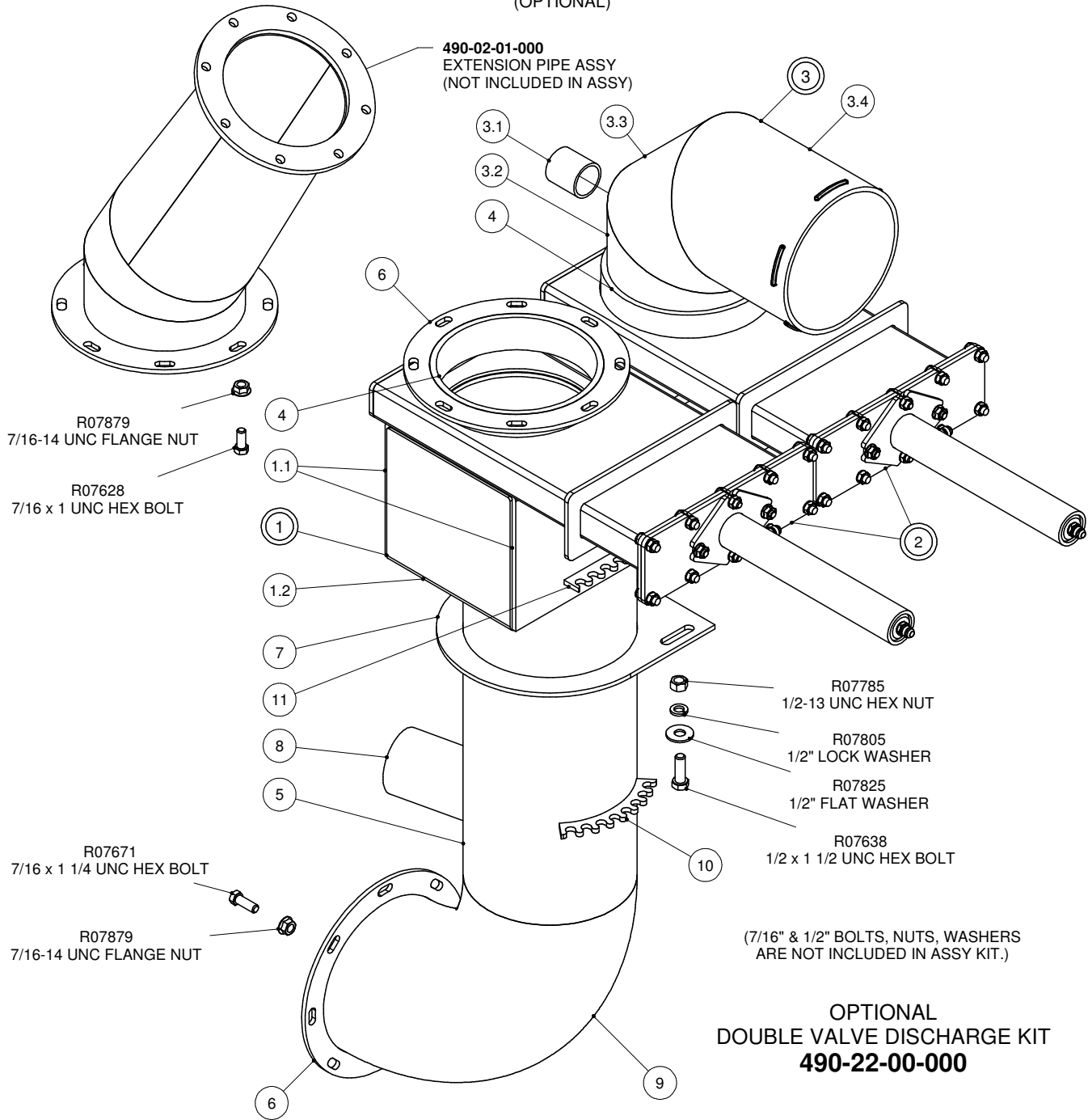
PARTS LIST			
ITEM	PART NUMBER	DESCRIPTION	QTY
1	490-01-00-001	HOUSING BOTTOM PLATE	1
2	490-01-00-002	HOUSING TOP PLATE	1
3	490-01-00-003	HOUSING BAND	1
4	490-01-00-004	HOUSING FILLER PLATE	1
5	490-01-00-006	HOUSING FLANGE	1
6	490-01-00-173	SLIDE ATTACHMENT TUBE	2
7	490-01-00-174	TUBE REINFORCING PLATE	2
8	490-01-00-005	TRANSITION PC	2



**CHT COVER PLATE ASSY
490-06-00-000**

PARTS LIST			
ITEM	PART NUMBER	DESCRIPTION	QTY
1	244-33-00-357	CHT COVER PLATE SUPPORT	1
2	490-06-00-125	CHT COVER PLATE	1

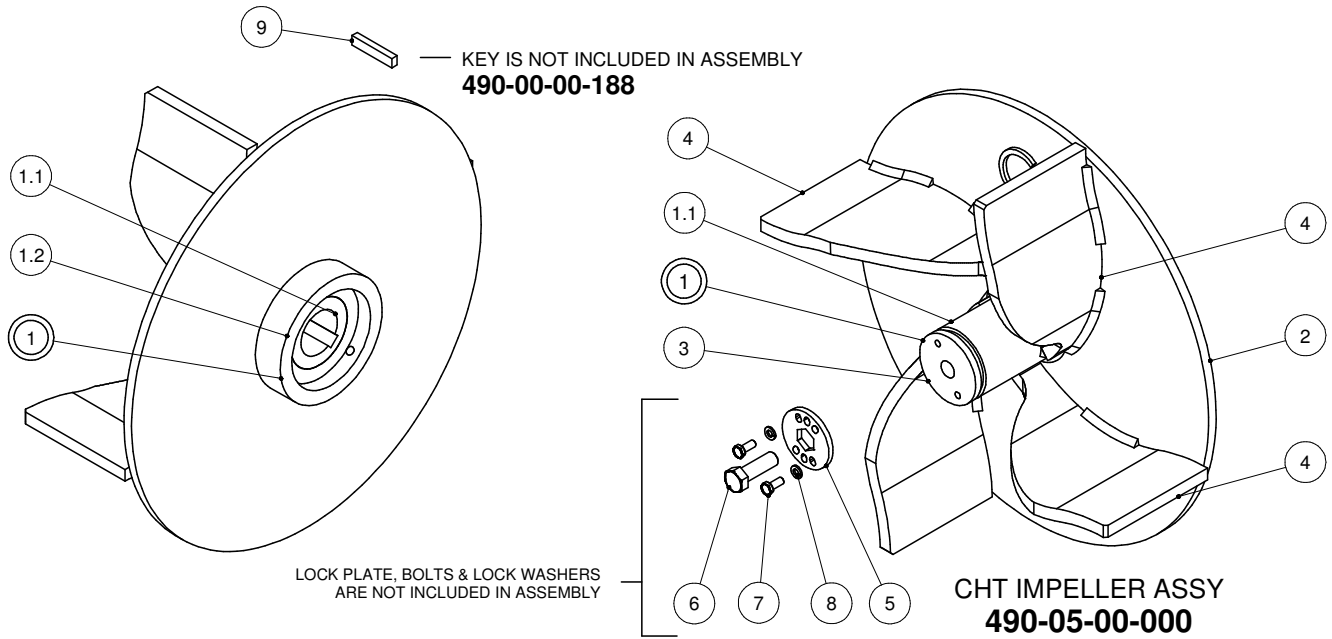
DOUBLE VALVE DISCHARGE KIT (OPTIONAL)



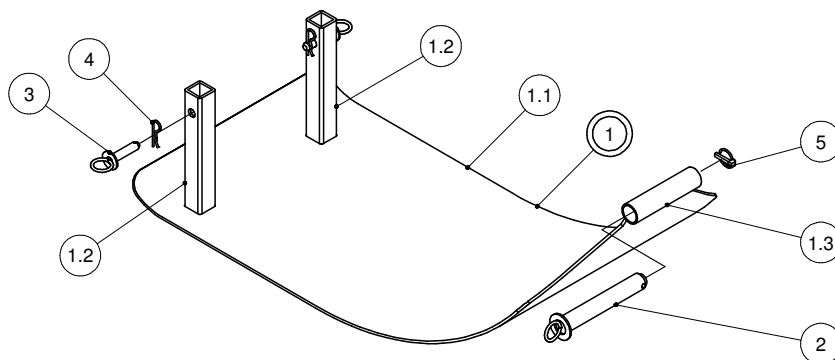
**OPTIONAL
DOUBLE VALVE DISCHARGE KIT
490-22-00-000**

PARTS LIST				PARTS LIST			
ITEM	PART NUMBER	DESCRIPTION	QTY	ITEM	PART NUMBER	DESCRIPTION	QTY
1	490-22-01-000	DISTRIBUTION BOX ASSY	1	4	242-93-23-224	CONE MOUNT	2
1.1	490-22-01-119	DISTRIBUTOR BOX TOP	1	5	490-22-00-118	VERTICAL DISCHARGE PIPE	1
1.2	490-22-01-120	DISTRIBUTOR BOX BOTTOM	1	6	490-02-00-197	ELBOW FLANGE	2
2	244-25-00-000	VALVE AND CYLINDER COMPLETE	2	7	490-02-00-015	VERTICAL PIPE HOLDER	1
3	490-02-03-000	VALVE ELBOW ASSY	1	8	490-02-00-008	3" AGITATOR PIPE	1
3.1	490-02-03-256	VALVE ELBOW DRAIN PIPE	1	9	R02935	8" WELD ELBOW	1
3.2	490-02-03-009	ELBOW BASE PC	1	10	490-22-00-308	CURVED 8 SLOT HYD HOSE HOLDER	1
3.3	490-02-03-010	ELBOW MIDDLE PC	1	11	490-03-00-011	HYDRAULIC HOSE HOLDER-DB HOSE	1
3.4	490-02-03-012	ELBOW TOP PC	1				

IMPELLER & SLIDE ASSY

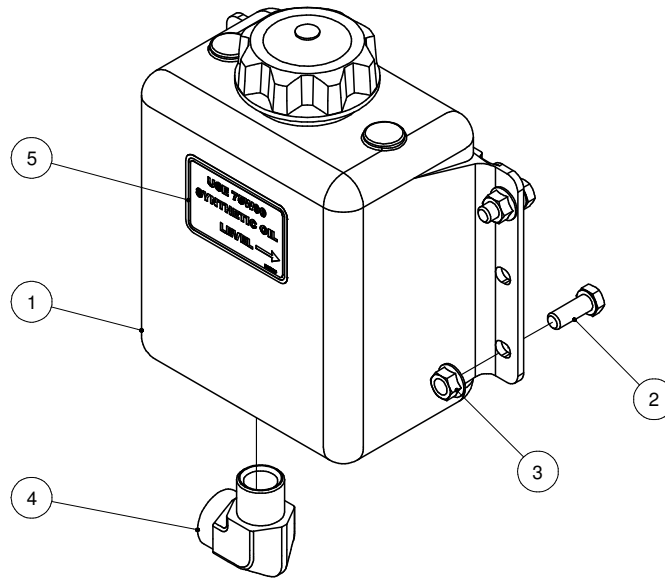


PARTS LIST			
ITEM	PART NUMBER	DESCRIPTION	QTY
1	490-05-01-000	PL490 IMPELLER HUB ASSY	1
1.1	490-05-00-037	IMPELLER HUB	1
1.2	490-05-00-061	IMPELLER BACK SPACER PLATE	1
2	244-34-00-358	CHT IMPELLER BACK PLATE	1
3	490-05-00-038	IMPELLER HUB CAP	1
4	290-94-02-289	CHT IMPELLER BLADE	4
5	490-00-00-187	IMPELLER BOLT LOCK PLATE	1
6	R08357	M16 x 50 METRIC HEX BOLT	1
7	R07676	5/16 x 3/4 HEX BOLT	2
8	R07802	5/16 LOCK WASHER	2
9	490-00-00-188	IMPELLER KEY	1

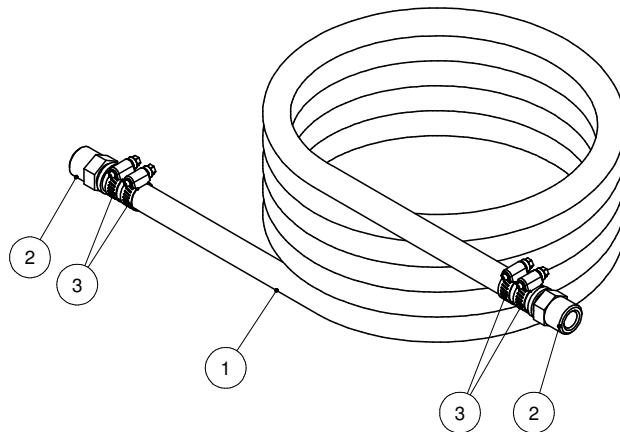


PARTS LIST				PARTS LIST			
ITEM	PART NUMBER	DESCRIPTION	QTY	ITEM	PART NUMBER	DESCRIPTION	QTY
1	490-09-00-000	SLIDE ASSY	1	2	490-46-00-000	LONG PIN ASSY	1
1.1	490-09-00-042	SLIDE	1	3	490-45-00-000	SMALL PIN ASSY-SLIDE	2
1.2	490-09-00-043	SLIDE LEG	2	4	R07948	5/32 HAIR PIN	2
1.3	490-09-00-168	SLIDE SLEEVE	1	5	R08040	2 - 18 LYNCH PIN	1

OIL RESERVOIR & LINE ASSY



PARTS LIST			
ITEM	PART NUMBER	DESCRIPTION	QTY
1	R21132	3QT TANK RESERVOIR	1
2	R07619	3/8 x 1 UNC HEX BOLT	4
3	R07794	3/8-16 UNC FLANGE NUT	4
4	R21368	3/4" x 90 HYD ELBOW	1
5	R10333	OIL LEVEL DECAL	1

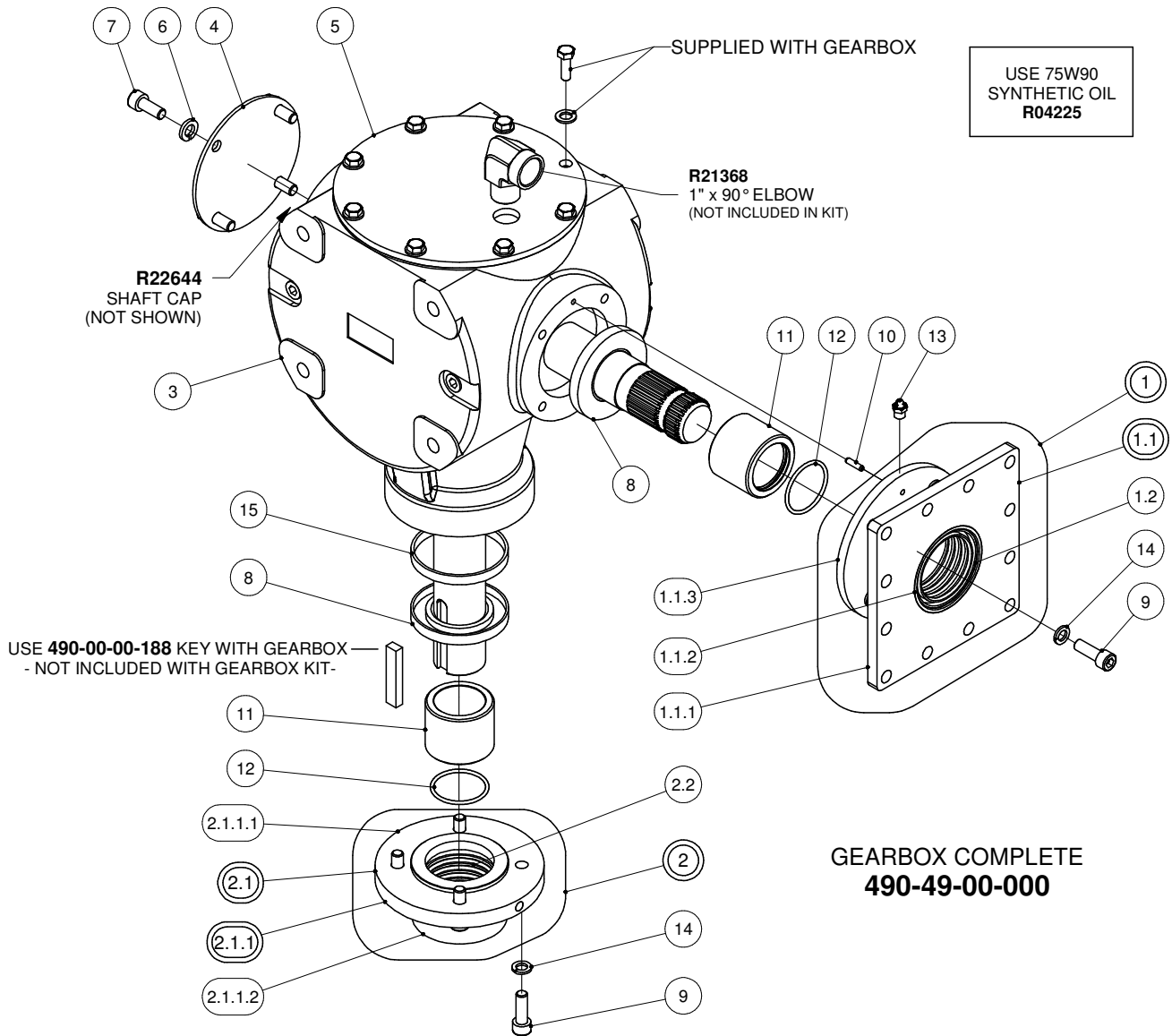


OIL LINE ASSY - 42ft
490-21-00-000

OIL LINE ASSY - 50ft
491-12-00-000

PARTS LIST			
ITEM	PART NUMBER	DESCRIPTION	QTY
1	490-30-00-156	3/4" CLEAR OIL LINE - 42ft	1
	491-12-00-258	3/4" CLEAR OIL LINE - 50ft	1
2	R21241	3/4" MALE SOLID STEM	2
3	R02230	1" GEAR CLAMP	4

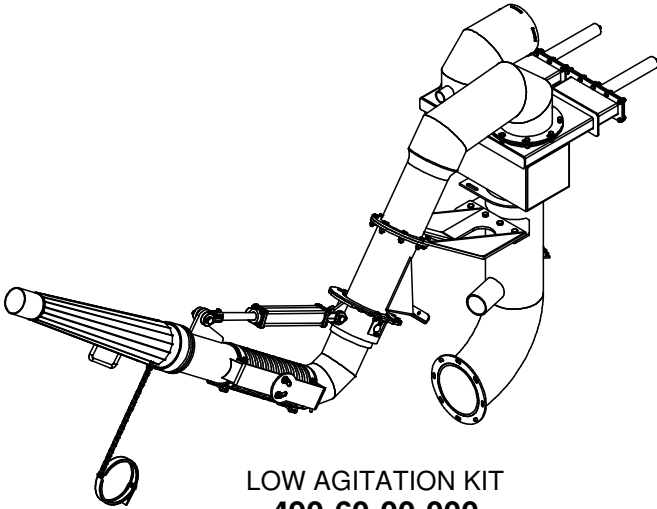
GEARBOX COMPLETE



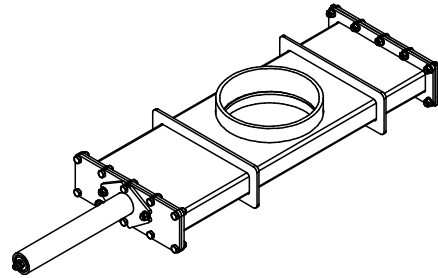
GEARBOX COMPLETE 490-49-00-000

PARTS LIST				PARTS LIST			
ITEM	PART NUMBER	DESCRIPTION	QTY	ITEM	PART NUMBER	DESCRIPTION	QTY
1	490-49-01-000	UPPER SEAL HOLDER COMPLETE	1	4	490-00-00-127	GEARBOX CAP	1
1.1	490-14-00-000	SEAL HOLDER ASSY - UPPER	1	5	490-00-00-134	GEARBOX TOP COVER PLATE	1
1.1.1	490-14-00-054	SEAL FLANGE PUMP	1	6	R07804	7/16 LOCK WASHER	4
1.1.2	490-14-00-055	SEAL SLEEVE	1	7	R08359	M10-1.5 x 25 SHCS	4
1.1.3	490-14-00-053	SEAL FLANGE-GEARBOX	1	8	R22300	45 x 85 x 10 METRIC SEAL	2
1.2	R22524	60 x 75 x 8 METRIC SEAL	4	9	R08358	M10-1.5 x 30	8
2	490-49-02-000	LOWER SEAL HOLDER COMPLETE	1	10	R07954	3/16" x 3/4" ROLL PIN	1
2.1	490-15-00-000	SEAL HOLDER ASSY - LOWER	1	11	R22447	HARDENED SEAL SLEEVE	2
2.1.1	490-15-01-000	SEAL HOLDER SUB ASSY	1	12	R22297	45 ID x 51 OD x 3 O-RING	2
2.1.1.1	490-15-00-071	SEAL FLANGE - LOWER GEARBOX	1	13	R08186	1/8" NPT GREASE FTG	1
2.1.1.2	490-15-00-072	LOWER SEAL SLEEVE	1	14	R08361	M10 LOCKWASHER-ZINC	8
2.2	R22524	60 x 75 x 8 METRIC SEAL	4	15	490-49-00-259	SEAL STOP RING	1
3	R22233	1:1 BONDIOLI GEARBOX - EXT SHAFT	1				

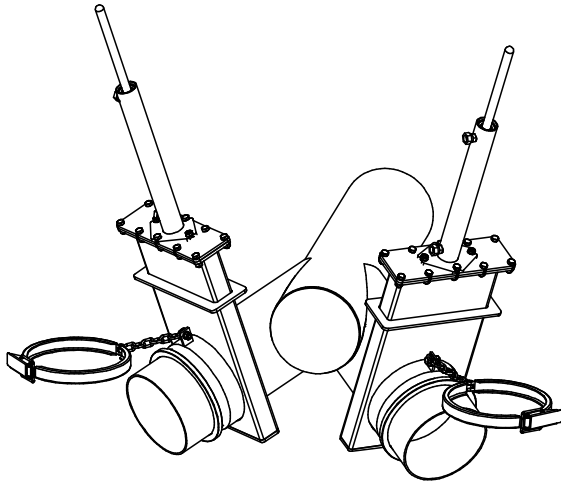
PL490 LAGOON PUMP OPTIONS



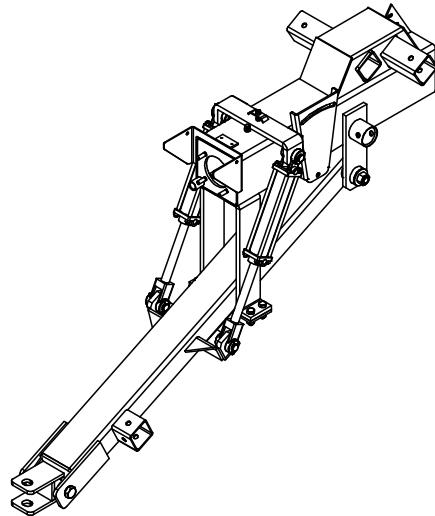
LOW AGITATION KIT
490-60-00-000



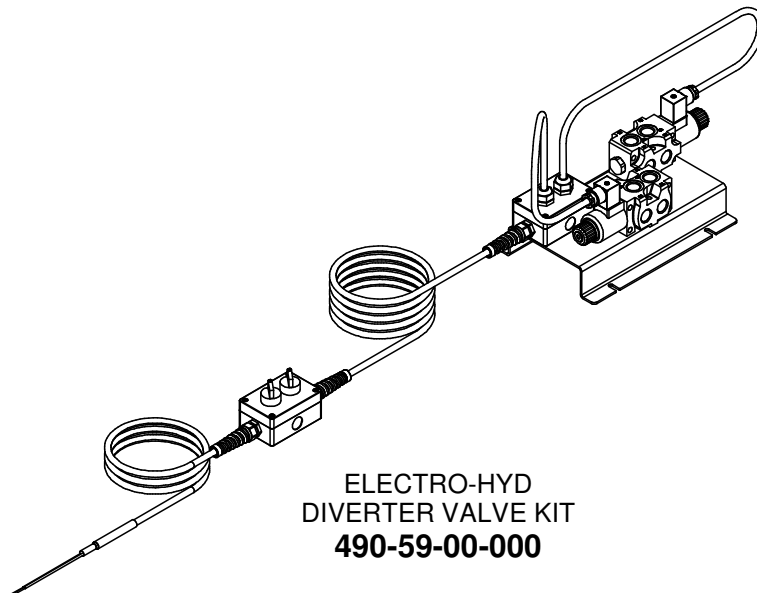
8" KNIFE GATE ASSY
490-61-01-000



"Y" DISCHARGE PIPE KIT
490-53-00-000

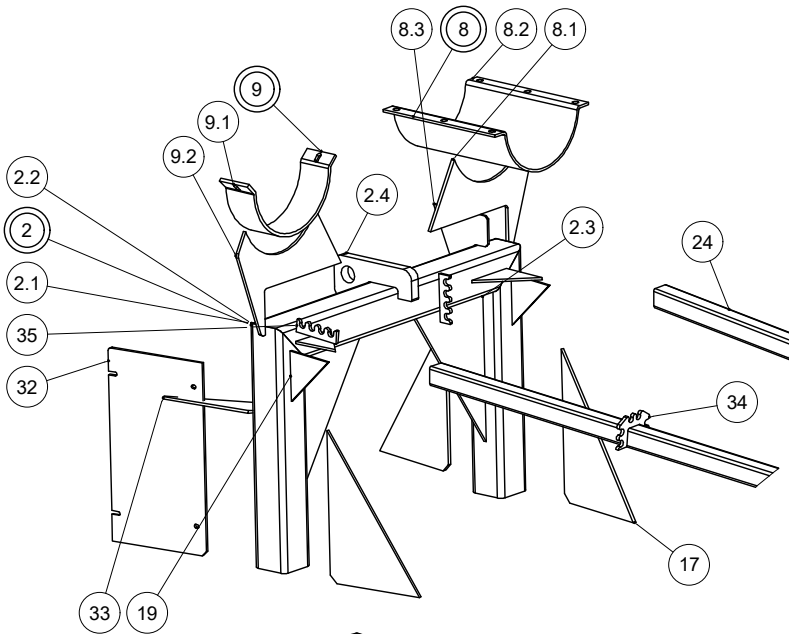
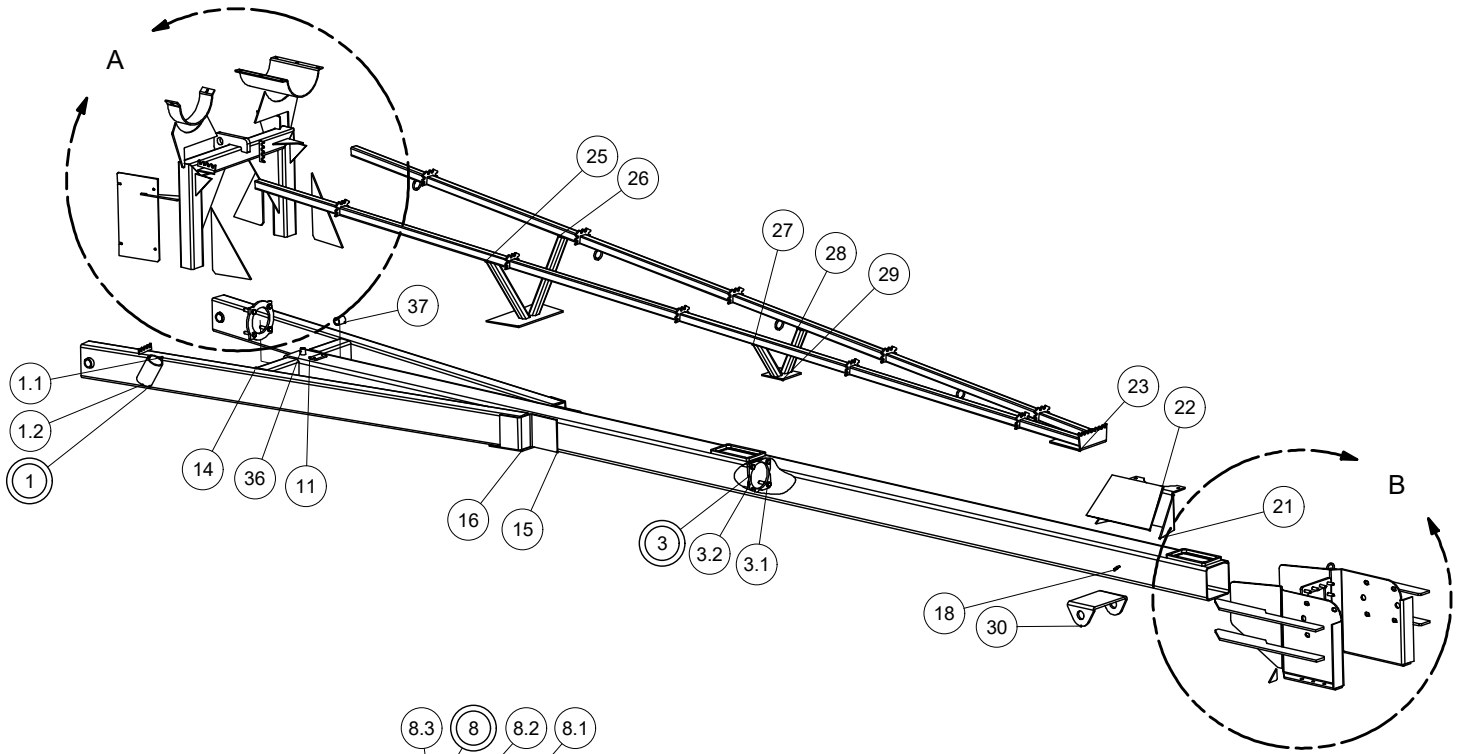


HYDRAULIC TONGUE KIT
491-16-00-000

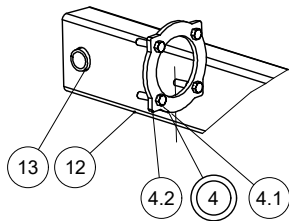


ELECTRO-HYD
DIVERTER VALVE KIT
490-59-00-000

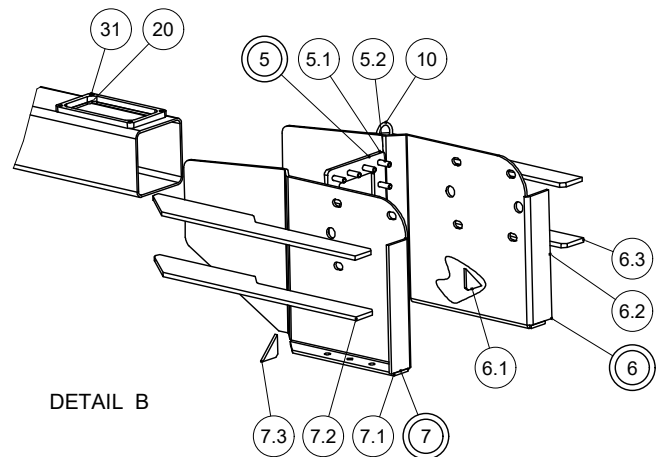
UPPER SHAFT TUBE ASSY



DETAIL A



UPPER SHAFT TUBE ASSY 497-01-00-000

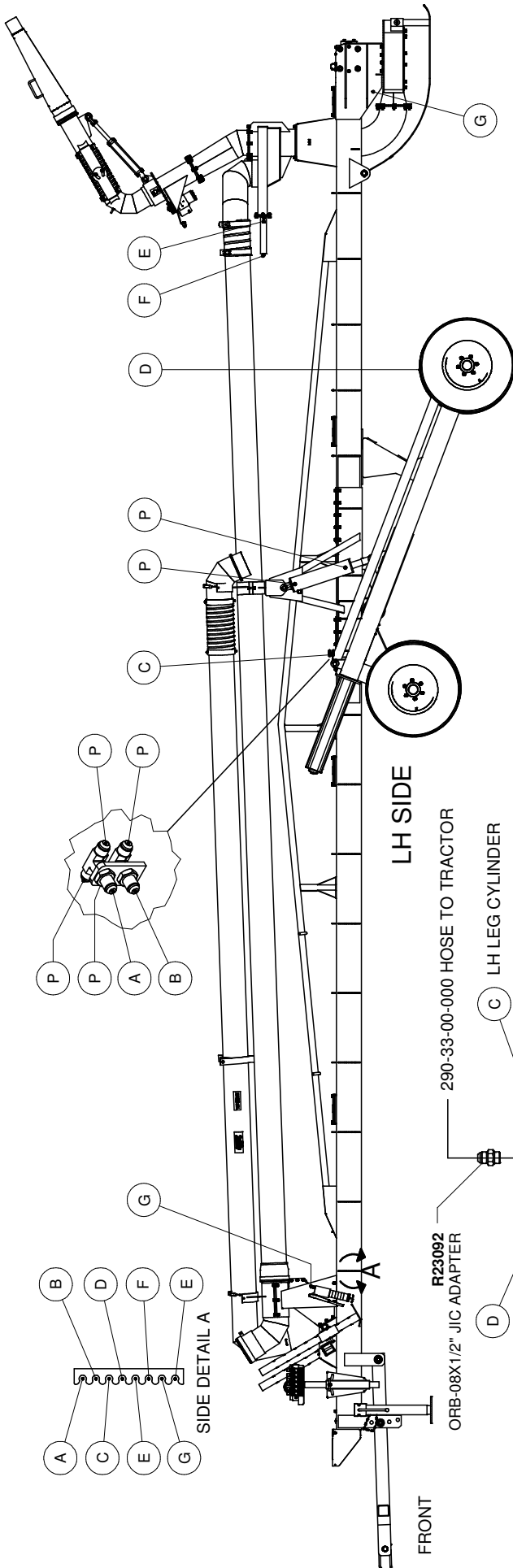


DETAIL B

UPPER SHAFT TUBE ASSY

PARTS LIST				PARTS LIST			
ITEM	PART NUMBER	DESCRIPTION	QTY	ITEM	PART NUMBER	DESCRIPTION	QTY
1	291-07-08-000	GREASE GUN MOUNT PLATE	1	9.1	270-01-07-015	CENTER DISCHARGE PIPE HOLDER	1
1.1	291-07-08-310	GREASE GUN HOLDER STANDOFF	1	9.2	497-01-04-009	DISCHARGE PIPE HOLDER BRKT	1
1.2	291-07-08-309	GREASE GUN HOLDER	1	10	250-00-00-354	1/4 X 1 1/2" RING	5
2	480-03-02-000	FRAME SUB ASSY	1	11	340-01-00-498	SERIAL NO. BACK PLATE	1
2.1	480-03-00-020	TOP CROSS TUBE	1	12	480-03-00-014	LIFT ARM	2
2.2	480-03-00-019	VERTICAL TUBE	2	13	480-03-00-015	BUSHING	2
2.3	480-03-00-022	GUSSET	2	14	480-03-00-017	CROSS TUBE	2
2.4	480-03-00-025	BAR BRACKET	1	15	480-03-00-018	"Z" BRACKET	2
3	495-03-01-000	BEARING HOLDER ASSY	1	16	480-03-00-021	LARGE GUSSET	2
3.1	R07639^	1/2 x 2 HEX BOLT	4	17	480-03-00-022	GUSSET	3
3.2	495-03-01-005	FLANGE BEARING HOLDER	1	18	490-23-02-336	1 SLOT CURVED HYD HOSE HOLDER-DB	2
4	495-03-02-000	BEARING FLANGE ASSY	1	19	497-01-00-015	SMALL GUSSET	4
4.1	R07639^	1/2 x 2 HEX BOLT	4	20	497-01-00-001	UPPER TUBE	1
4.2	495-03-02-033	BEARING FLANGE	1	21	497-01-00-010	PIPE SUPPORT	1
5	497-01-01-000	LOWER INNER FLANGE ASSY	1	22	497-01-00-011	PIPE SUPPORT CAP	1
5.1	490-03-07-017	LOWER INNER FLANGE	1	23	497-01-00-013	REINF TUBE BASE PLATE	1
5.2	497-01-01-002	7/16 X 1 1/2" STUD	12	24	497-01-00-014	REINFORCING TUBE	2
6	497-01-02-000	RH GEARBOX BRKT ASSY	1	25	497-01-00-016	LH UPPER BRACE	1
6.1	490-03-11-250	GEARBOX GUSSET	1	26	497-01-00-017	RH UPPER BRACE	1
6.2	497-01-02-004	RH GEARBOX BRKT	1	27	497-01-00-018	LH MIDDLE BRACE	1
6.3	497-01-02-005	GEARBOX REINFORCING BAR	2	28	497-01-00-019	RH MIDDLE BRACE	1
7	497-01-03-000	LH GEARBOX BRKT ASSY	1	29	497-01-00-020	BRACE SEAT	1
7.1	497-01-03-006	LH GEARBOX BRKT	1	30	497-01-00-021	SLIDE ATTACHMENT BRKT	1
7.2	497-01-02-005	GEARBOX REINFORCING BAR	2	31	497-01-00-022	MOUNTING PLATE	2
7.3	490-03-11-250	GEARBOX GUSSET	1	32	497-01-00-026	ELECTRO / HYD MOUNT PLATE	1
8	497-01-04-000	DISCHARGE PIPE HOLDER ASSY	1	33	497-01-00-027	GUSSET	1
8.1	497-01-04-009	DISCHARGE PIPE HOLDER BRKT	1	34	497-01-00-041	HYDRAULIC HOSE HOLDER-DB HOSE	10
8.2	242-00-00-221	CONE CLAMP ON BRKT	1	35	497-01-00-042	4 SLOT HYD HOSE HOLDER-DB	3
8.3	497-01-04-012	DISCH PIPE HOLDER GUSSET	1	36	R02058	3/8" FULL PIPE COUPLING	1
9	497-01-05-000	UPPER PIPE SADDLE ASSY	1	37	R02060	3/4" PIPE COUPLING	1

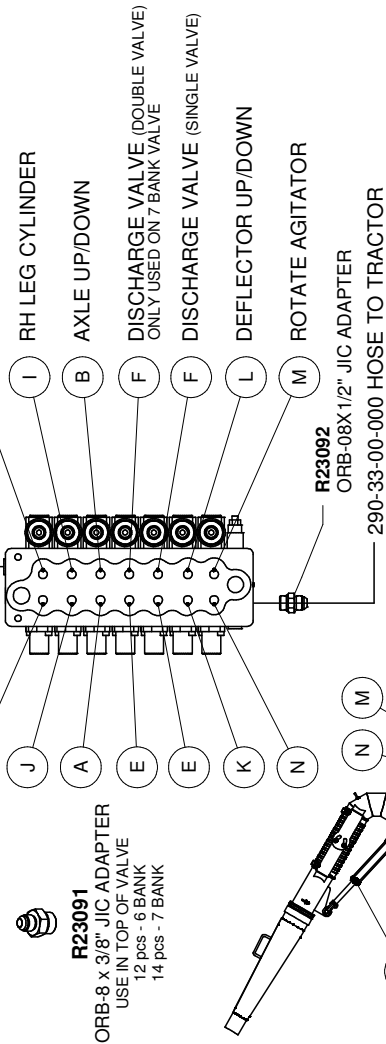
HYDRAULIC HOSE LAYOUT



42ft & 50ft LAGOON PUMP HOSE CHART

ITEM	PART NUMBER	DESCRIPTION	QTY
A/B	490-38-00-000	AXLE UP/DOWN	2
C/I	490-34-00-000	LH/RH LEG CYL (PISTON SIDE)	2
D/J	490-35-00-000	LH/RH LEG CYL (ROD SIDE)	2
E	490-36-00-000	VALVE CYL (ROD SIDE)	1 or 2*
F	490-37-00-000	VALVE CYL (PISTON SIDE)	1 or 2*
G	490-41-00-000	GEARBOX GREASE LINE	1
K	490-32-00-000	DEFLECTOR CYL (PISTON SIDE)	1
L	490-33-00-000	DEFLECTOR CYL (ROD SIDE)	1
M/N	490-31-00-000	DEFLECTOR ROTATE MOTOR	2
O	490-30-00-000	42ft OIL LINE ASSY	1
P	491-12-00-000	50ft OIL LINE ASSY	4
A/B/C/I/D/J	490-40-00-000	AXLE TEE'S TO AXLE LIFT CYL	6
E/F/G/K/L/M/N	491-06-00-000	AXLE CYL & LEG CYL EXTENSION (FOR 50ft)	9
	491-05-00-000	ROTATE/DEFLECTOR VALVE/GREASE EXT (FOR 50ft)	9

*QTY OF 2 IF DOUBLE VALVE OPTION IS USED



R23091
ORB-8 x 3/8" JIC ADAPTER
USE IN TOP OF VALVE
12 pcs - 6 BANK
14 pcs - 7 BANK

R23092
ORB-08X1/2" JIC ADAPTER

R23092
ORB-08X1/2" JIC ADAPTER

290-33-00-000 HOSE TO TRACTOR

LH LEG CYLINDER

RH LEG CYLINDER

AXLE UP/DOWN

DISCHARGE VALVE (DOUBLE VALVE)
ONLY USED ON 7 BANK VALVE

DISCHARGE VALVE (SINGLE VALVE)

DEFLECTOR UP/DOWN

ROTATE AGITATOR

290-33-00-000 HOSE TO TRACTOR

GUARANTEE

All Husky Farm Equipment manufactured by Husky Farm Equipment Limited is guaranteed. Guarantee covers all the replacement cost or repair of all parts said to be defective from manufacture. Guarantee also covers labour installing said parts, if installed at Husky Manufacturing plant. Time and use is the essence of the guarantee. If equipment is used on a private property for an individual's use, guarantee will be in effect for twelve months from date of invoice. If equipment is used for commercial use to do custom work for money then guarantee will be in effect for three months only from date of invoice.

EXEMPTIONS FROM GUARANTEE

Cost of transportation of equipment to or from Husky Farm Equipment Limited either by customer or by Husky's service staff or cost of mail or public transportation is not covered. Tires and electric or hydraulic motors are covered by manufacturer's warranty and although Husky may assist to get warranty, Husky will not be responsible other than that allowed by manufacturer's warranty. Items subject to normal wear from use not covered by guarantee if faulty part is simply worn.