

*Office copy
Dec 1/88
20 made
Feb 7/95
3 made*

DATE PURCHASED _____ MACHINE SERIAL NO _____

SIZE OF PUMP _____ OPTIONS _____

PLEASE NOTE:

The key number system in this parts book is arranged as follows;

- 0 --Key number with one circle denotes main assemblies
- Key numbers not circled are individual parts

Please order parts by number

TIGER LAGOON

HUSKY LIQUID MANURE PUMP

OPERATING INSTRUCTIONS:

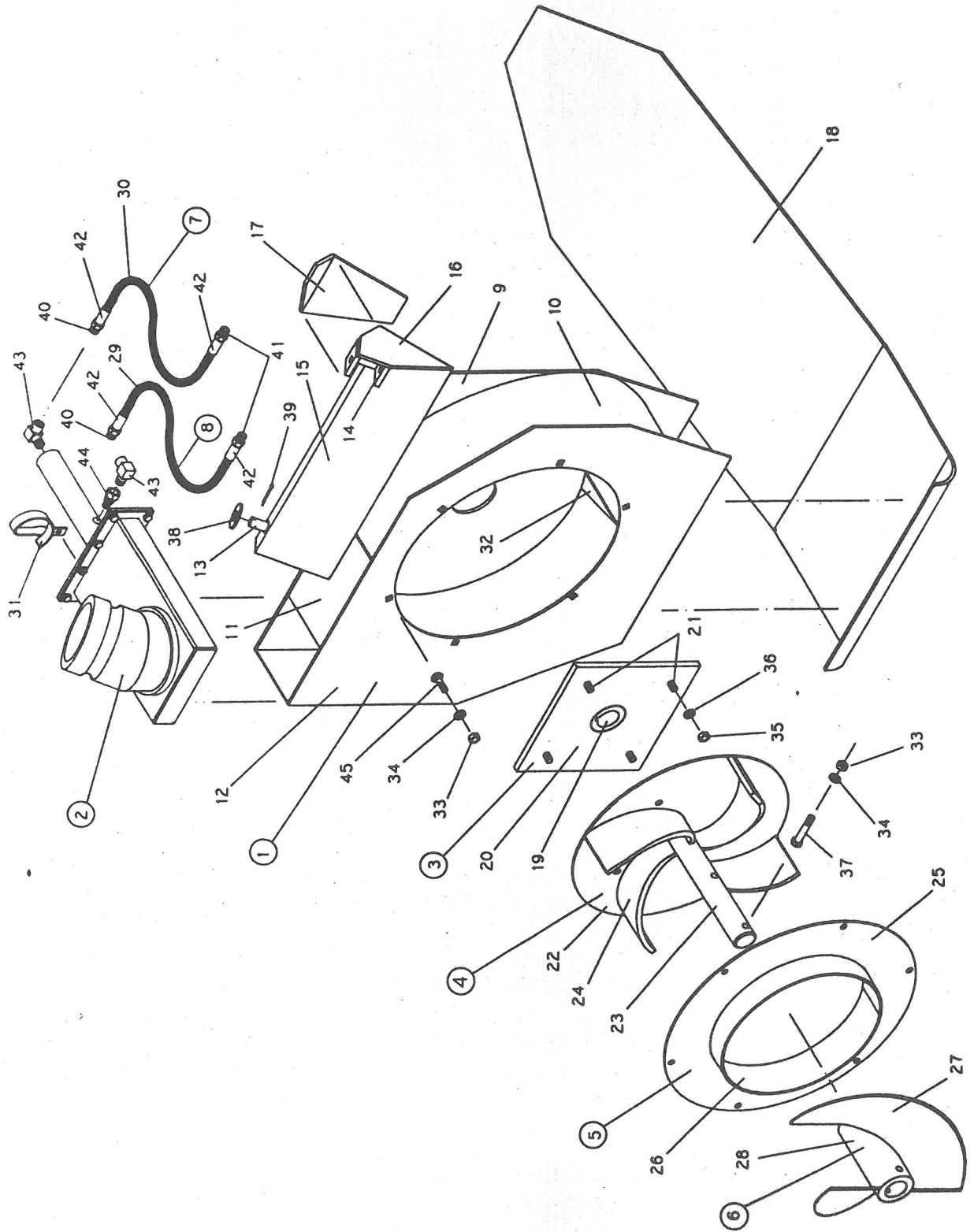
1. Husky Tiger Lagoon Pump is designed to run at 540 RPM and takes up to 70 HP - however it can be run with less HP if tractor is run at slower RPM. Level of oil in gearbox should be checked regularly.
Use #90 gear oil.
2. Can be changed from agitating to pumping at full throttle be careful discharge must be tied down as it will lift in the air at high capacity pumping.
3. The Tiger Pump is designed to have tractor sit at 90° from pump. This allows pump to go into deep pits without putting PTO out of line. Be careful not to park tractor too close to Lagoon.
4. Don't try and extend wheels if pump is under a heavy crust as it may collapse the undercarriage.
5. The shaft on the pump is completely shielded for safety when it leaves the factory. Keep all shields in place at all times.
6. For open centre hydraulic tractors, remove adaptor in right hand end of hydraulic valve and put in plug that is supplied with pump.

EXTREME DANGER:

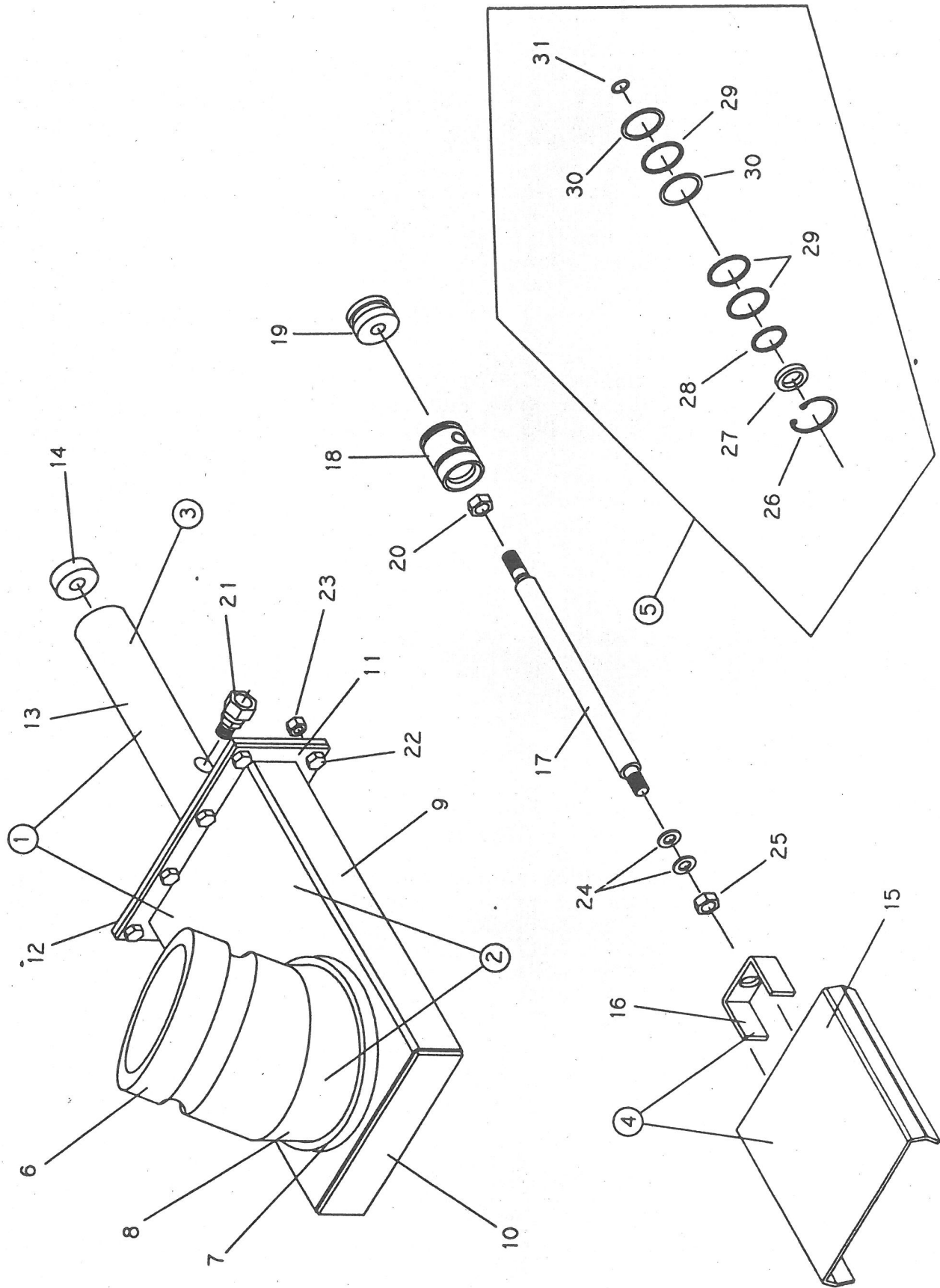
Never enter a dirty Manure Spreader or Storage Tank - one breath of Hydrogen sulfide Gas is enough to kill.

CAUTION

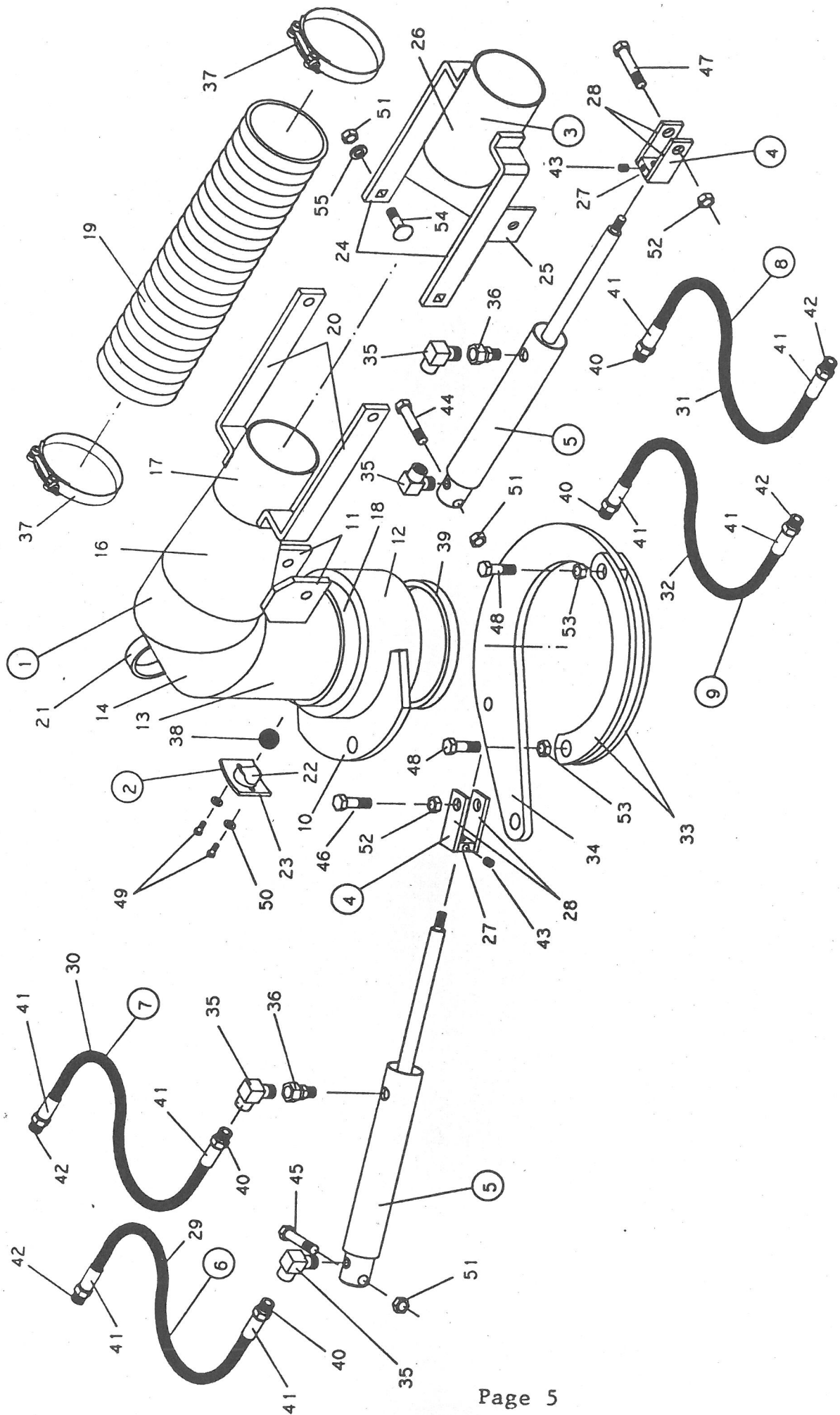
To avoid damaging PTO and shields, do not hook PTO shaft up to tractor until lagoon pump is positioned in pit.



| Key | Part Number | Description | Qty |
|-----|---------------|-----------------------------|-----|
| 1 | 275-01-01-000 | Fan Housing Assy | 1 |
| 2 | 275-01-07-000 | Lower Valve & Cylinder Assy | 1 |
| 3 | 275-08-00-000 | Impeller Back Plate | 1 |
| 4 | 275-09-00-000 | Impeller Assy | 1 |
| 5 | 275-10-00-000 | Cover Plate Assy | 1 |
| 6 | 275-11-00-000 | Auger Assy | 1 |
| 7 | 275-28-00-000 | Hyd Hose Assy | 1 |
| 8 | 275-32-00-000 | Hyd Hose Assy | 1 |
| 9 | 275-01-01-001 | Fan Housing Upper Plate | 1 |
| 10 | 275-01-01-002 | Housing Band | 1 |
| 11 | 275-01-01-003 | Filler Plate | 1 |
| 12 | 275-01-01-004 | Fan Housing Bottom Plate | 1 |
| 13 | 275-01-01-006 | Rotator Pin | 1 |
| 14 | 275-01-01-007 | Cylinder Brkt | 1 |
| 15 | 275-01-01-008 | Housing Reinforcing Plate | 1 |
| 16 | 275-01-01-009 | Cylinder Brkt End Cap | 1 |
| 17 | 275-01-01-030 | End Cap Reinforcing Plate | 1 |
| 18 | 275-01-00-063 | Slide | 1 |
| 19 | 275-08-00-064 | Impeller Back Plate Hub | 1 |
| 20 | 275-08-00-065 | Back Plate | 1 |
| 21 | 275-08-00-066 | Back Plate Reddi Rod | 4 |
| 22 | 275-09-00-067 | Impeller Back Plate | 1 |
| 23 | 275-09-00-068 | Impeller Stub Shaft | 1 |
| 24 | 250-03-00-009 | Impeller Blade | 4 |
| 25 | 275-10-00-069 | Cover Plate | 1 |
| 26 | 275-10-00-070 | Inlet Ring | 1 |
| 27 | 275-11-00-071 | Auger Flighting | 2 |
| 28 | 275-11-00-072 | Auger Hub | 1 |
| 29 | 275-28-00-112 | Hyd Hose | 1 |
| 30 | 275-32-00-116 | Hyd Hose | 1 |
| 31 | 242-00-00-157 | Hyd Hose Niblick | 1 |
| 32 | 275-01-01-120 | Housing Cutting Edge | 1 |
| 33 | R07784 | 7/16 Hex Nut | 8 |
| 34 | R07804 | 7/16 Lock Washer | 8 |
| 35 | R07785 | 1/2" Hex Nut | 4 |
| 36 | R07805 | 1/2" Lock Washer | 4 |
| 37 | R07699 | 7/16 x 3 1/2 Gr 8 Hex Bolt | 2 |
| 38 | R07827 | 3/4 Flat Washer | 1 |
| 39 | R08011 | 3/16 x 1 1/2 Cotter Pin | 1 |
| 40 | R20803 | 3/8 Male Solid Stem | 2 |
| 41 | R20806 | 3/8 Male Swivel Stem | 2 |
| 42 | R21231 | Ferrule for 1/4" Hyd Hose | 4 |
| 43 | R21366 | 3/8" Steel Street Elbow | 2 |
| 44 | R21287 | 1/4 x 3/8 Swivel Adaptor | 1 |
| 45 | R07731 | 7/16 x 1 Carriage Bolt | 6 |

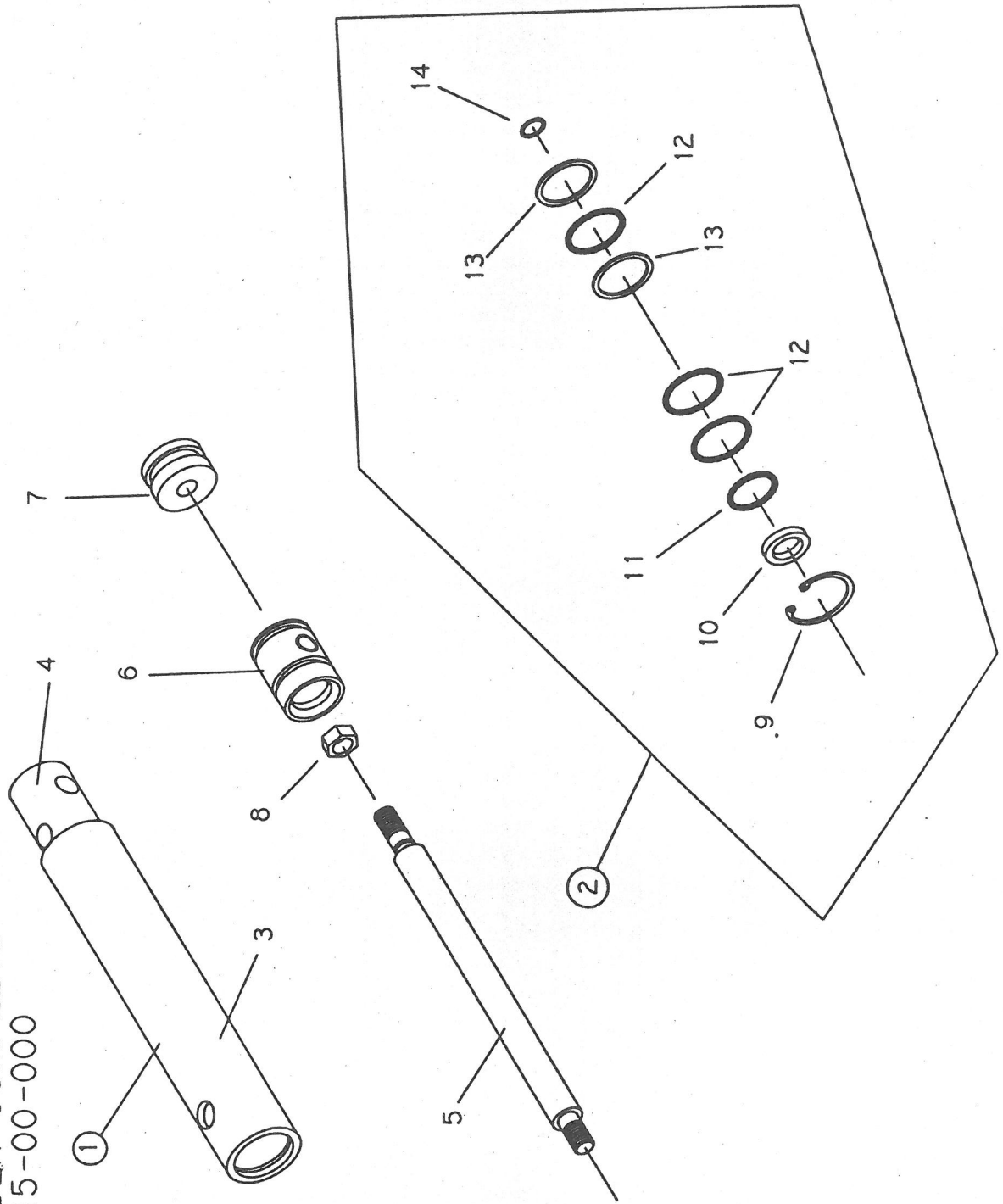


| Key | Part Number | Description | Qty |
|-----|---------------|--------------------------------------|-----|
| 1 | 275-01-07-000 | Lower Valve & Cylinder Assy Complete | 1 |
| 2 | 275-01-02-000 | Lower Valve Housing Assy | 1 |
| 3 | 275-01-10-000 | 1 1/2" Hyd Cylinder w/Flange | 1 |
| 4 | 275-17-00-000 | Valve Gate Assy | 1 |
| 5 | 340-47-00-000 | O Ring Kit | 1 |
| 6 | 275-01-02-010 | Inner Roller Holder | 1 |
| 7 | 275-01-02-091 | Valve Extension Pipe | 1 |
| 8 | 275-01-02-092 | Bottom Valve Elbow Piece | 1 |
| 9 | 275-01-02-011 | Valve Body | 1 |
| 10 | 275-01-02-062 | Valve End Cap | 1 |
| 11 | 275-01-02-012 | Valve Housing Flange | 1 |
| 12 | 275-01-09-093 | Cylinder Flange | 1 |
| 13 | 250-70-28-155 | Cylinder Tube | 1 |
| 14 | 340-36-18-431 | Cylinder End Cap | 1 |
| 15 | 274-17-00-080 | Valve Gate | 1 |
| 16 | 275-17-00-081 | Valve Gate Brkt | 1 |
| 17 | 250-70-00-158 | Cylinder Shaft | 1 |
| 18 | 340-36-00-434 | Wiper Block | 1 |
| 19 | 340-36-00-435 | Cylinder Plunger | 1 |
| 20 | R07885 | 1/2" Lock Nut | 1 |
| 21 | R21287 | 1/4 M x 3/8 F St Swivel Adaptor | 1 |
| 22 | R07619 | 3/8 x 1 Hex Bolt | 8 |
| 23 | R07794 | 3/8 Flange Nut | 8 |
| 24 | R08231 | 3/8 SS SAE Washer | 2 |
| 25 | R08229 | 1/2" Nylon Insert SS Lock Nut | 1 |
| 26 | R07967 | Internal Retaining Ring | 1 |
| 27 | R20774 | Rod Wiper | 1 |
| 28 | R20771 | O Ring #11-210 | 1 |
| 29 | R20866 | O Ring #11-218 | 3 |
| 30 | R20867 | Back Ups #8-218 | 2 |
| 31 | R20865 | O Ring #11-014 | 1 |

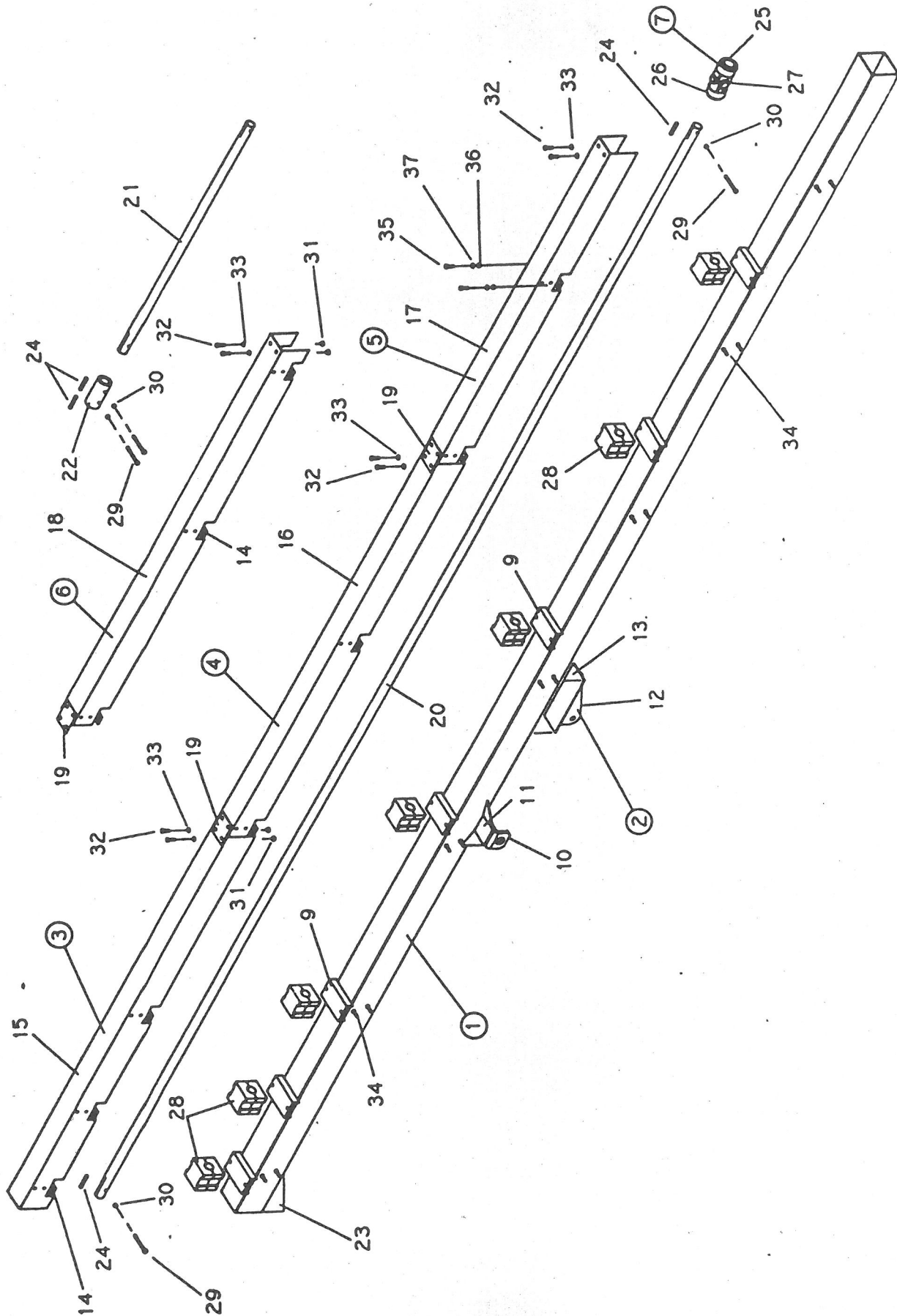


| Key | Part Number | Description | Qty |
|-----|---------------|-----------------------------------|-----|
| 1 | 275-02-00-000 | Agitator Elbow Assy | 1 |
| 2 | 275-05-00-000 | Cap Assy | 1 |
| 3 | 275-06-00-000 | Deflector Spout Assy | 1 |
| 4 | 275-12-00-000 | Swivel Cylinder Yoke Assy | 2 |
| 5 | 275-15-00-000 | 1 1/2" Cylinder Complete | 2 |
| 6 | 275-28-00-000 | 1/4" Hyd Hose Assy | 1 |
| 7 | 275-29-00-000 | 1/4" Hyd Hose Assy | 1 |
| 8 | 275-30-00-000 | 1/4" Hyd Hose Assy | 1 |
| 9 | 275-31-00-000 | 1/4" Hyd Hose Assy | 1 |
| 10 | 275-02-00-013 | Swivel Brkt | 1 |
| 11 | 275-02-00-014 | Tipping Cylinder Brkt | 2 |
| 12 | 275-02-00-015 | Outer Roller Sleeve | 1 |
| 13 | 275-02-00-016 | Elbow Base | 1 |
| 14 | 275-02-00-017 | Elbow Centre Piece | 1 |
| 15 | 275-02-00-018 | Elbow Top Piece | 1 |
| 16 | 275-02-00-019 | Elbow Cone | 1 |
| 17 | 275-02-00-020 | Extension Pipe | 1 |
| 18 | 275-02-00-021 | Elbow Filler Pipe | 1 |
| 19 | 275-00-00-023 | Deflector Hose | 1 |
| 20 | 275-02-00-024 | Outer Deflector Arm | 2 |
| 21 | 275-02-00-119 | Hydraulic Hose Holder | 1 |
| 22 | 275-05-00-031 | Cap Plug | 1 |
| 23 | 275-05-00-032 | Cap Plate | 1 |
| 24 | 275-06-00-022 | Inner Deflector Arm | 2 |
| 25 | 275-06-00-025 | Deflector Brkt | 2 |
| 26 | 275-06-00-027 | Deflector End Piece | 1 |
| 27 | 275-12-00-073 | Cylinder Yoke Lug | 2 |
| 28 | 275-12-00-074 | Cylinder Yoke Arm | 4 |
| 29 | 275-28-00-112 | Hyd Hose | 1 |
| 30 | 275-29-00-113 | Hyd Hose | 1 |
| 31 | 275-30-00-114 | Hyd Hose | 1 |
| 32 | 275-31-00-115 | Hyd Hose | 1 |
| 33 | 275-00-00-028 | Short Swivel Bar | 2 |
| 34 | 275-00-00-029 | Main Swivel Bar | 1 |
| 35 | R21366 | 3/8 Steel Street Elbow | 4 |
| 36 | R21287 | 1/4 x 3/8 Straight Swivel Adaptor | 2 |
| 37 | R02481 | 4" Bauer Super Clamp | 2 |
| 38 | R20219 | 1" Nylon Ball | 19 |
| 39 | R02366 | 6" Rubber Gasket | 1 |
| 40 | R20803 | 3/8 Solid Male Stem | 4 |
| 41 | R21231 | Ferrule for 1/4" Hyd Hose | 8 |
| 42 | R20806 | 3/8" Swivel Stem | 4 |
| 43 | R07906 | 5/16 x 3/8 Set Screw | 2 |
| 44 | R07642 | 1/2 x 3 1/2 Hex Bolt | 1 |
| 45 | R07641 | 1/2 x 3 Hex Bolt | 1 |
| 46 | R07647 | 5/8 x 2 Hex Bolt | 1 |
| 47 | R07648 | 5/8 x 2 1/2 Hex Bolt | 1 |
| 48 | R07654 | 3/4 x 2 Hex Bolt | 2 |
| 49 | R08233 | 1/4 x 5/8 SS Cap Screw | 2 |
| 50 | R08234 | 1/4 Lock Washer SS | 2 |
| 51 | R07885 | 1/2" Lock Nut | 4 |
| 52 | R07887 | 5/8 Locknut | 2 |
| 53 | R07881 | 3/4" Lock Nut | 2 |
| 54 | R07743 | 1/2 x 1 1/2 Carriage Bolt | 2 |
| 55 | R07825 | 1/2" Flat Washer | 2 |

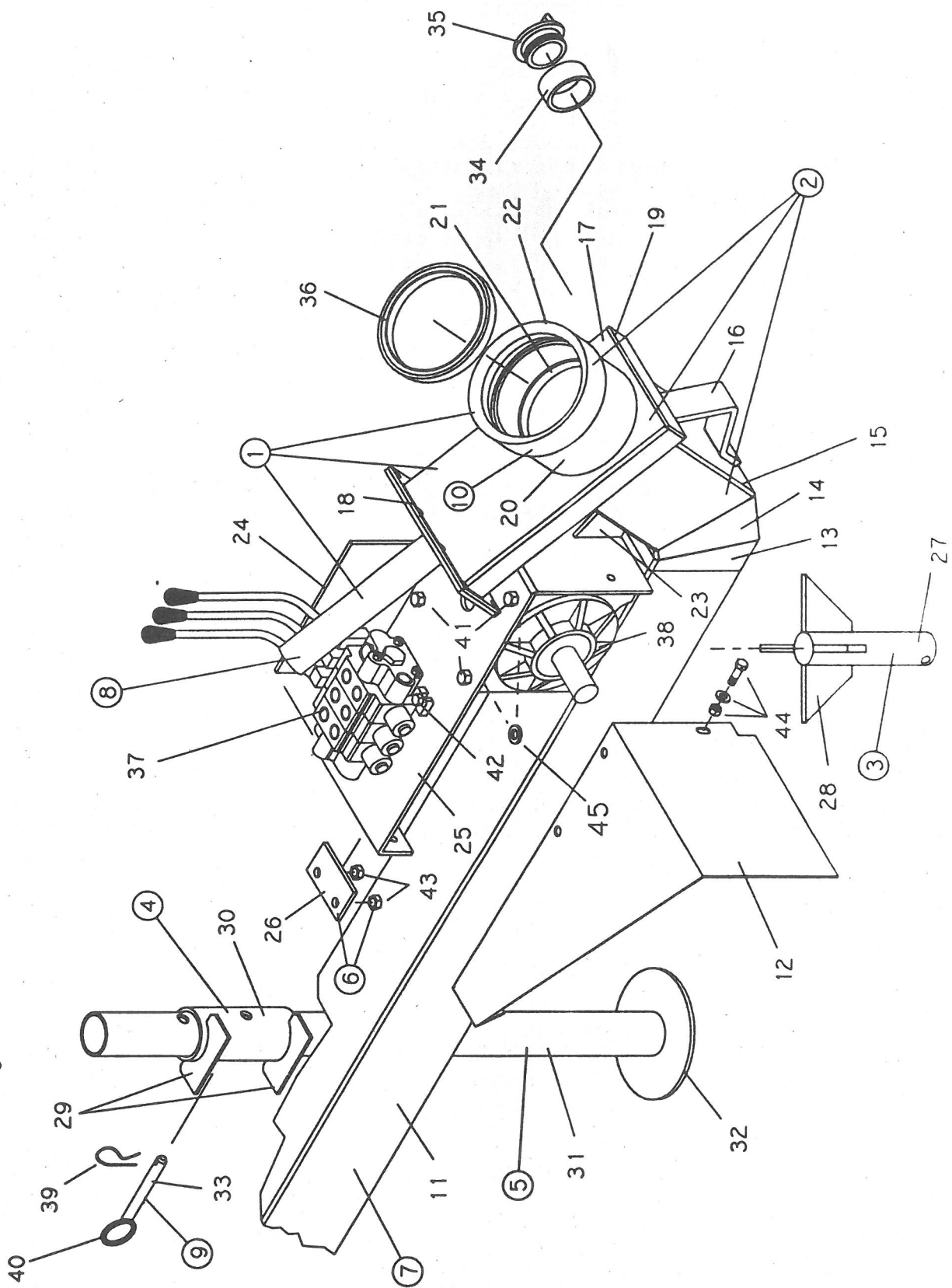
1 1/2" HYDRAULIC
CYLINDER COMPLETE
275-15-00-000



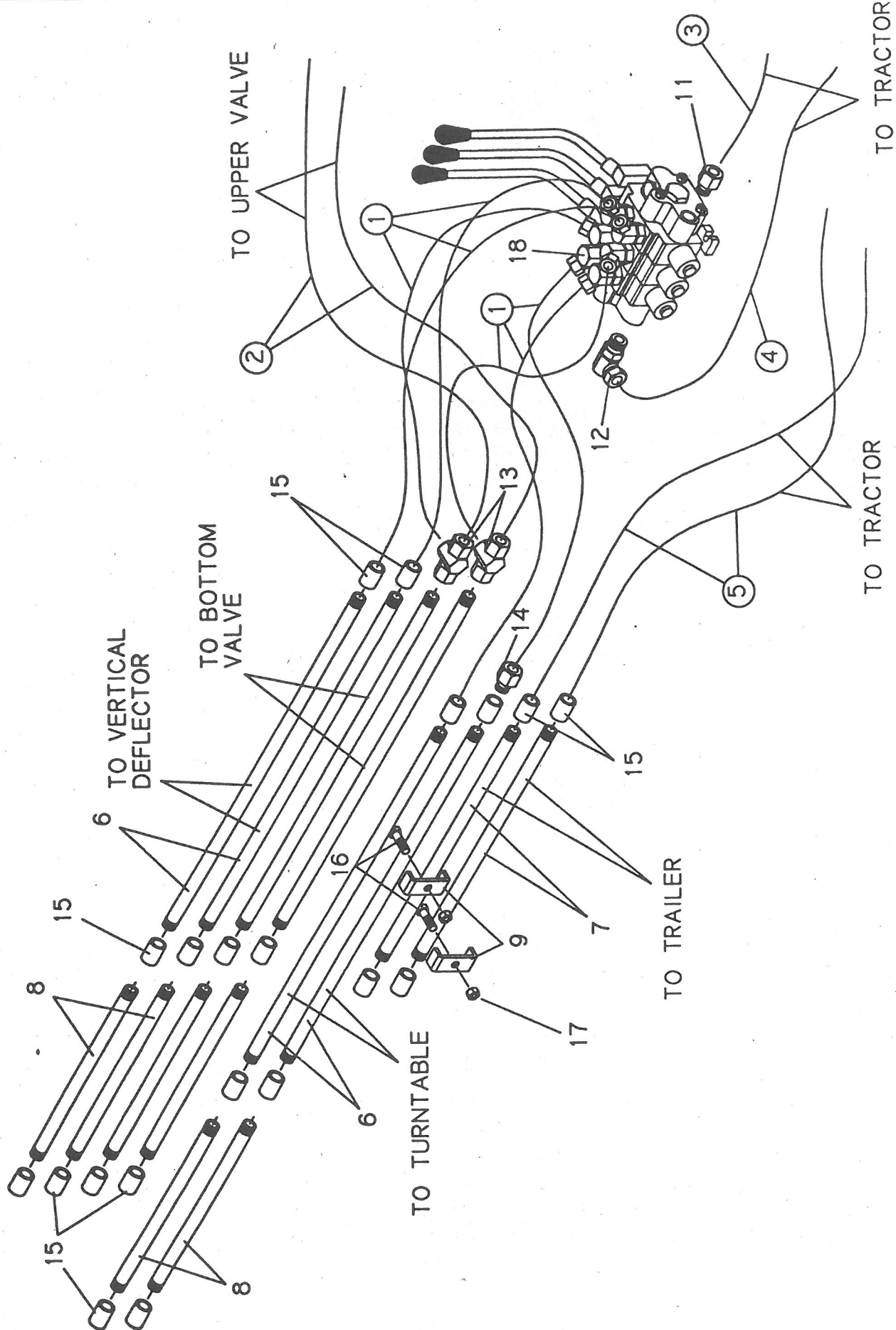
| Key | Part Number | Description | Qty |
|-----|---------------|------------------------------------|-----|
| 1 | 275-14-00-000 | Cylinder Tube w/Lug Assy | 1 |
| 2 | 340-47-00-000 | O Ring Kit for 1 1/2" Hyd Cylinder | |
| 3 | 250-70-28-155 | Hydraulic Cylinder Tube | 1 |
| 4 | 275-14-00-076 | Cylinder End Cap | 1 |
| 5 | 250-70-00-158 | Hydraulic Cylinder Shaft | 1 |
| 6 | 340-36-00-434 | Wiper Block | 1 |
| 7 | 340-36-00-435 | Cylinder Plunger | 1 |
| 8 | R07885 | 1/2" Lock Nut | 1 |
| 9 | R07967 | Internal Retaining Ring | 1 |
| 10 | R20774 | Rod Wiper | 1 |
| 11 | R20771 | O Ring #11-210 | 1 |
| 12 | R20866 | O Ring #11-218 | 3 |
| 13 | R20867 | Back Ups #8-218 | 2 |
| 14 | R20865 | O Ring #11-014 | 1 |



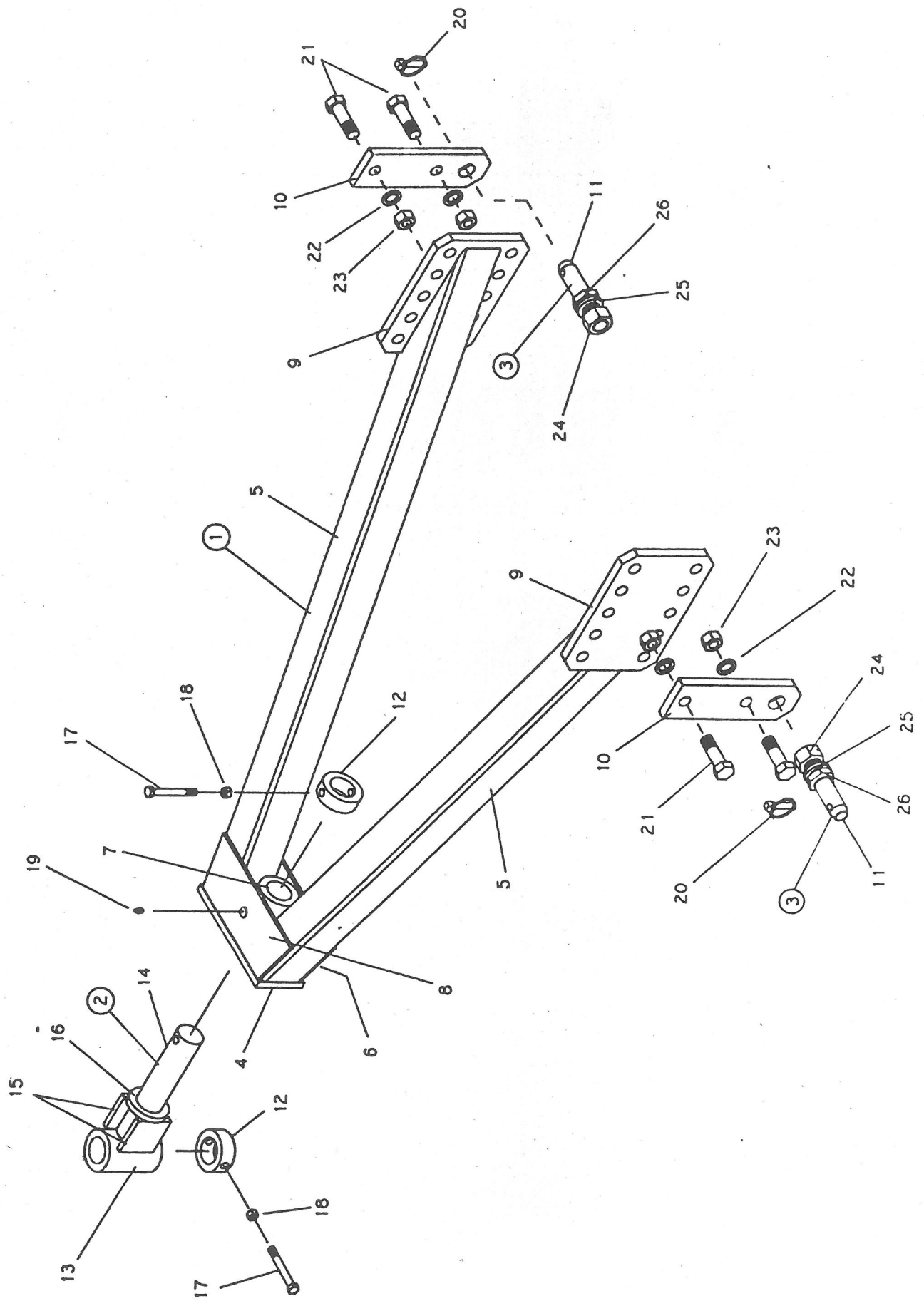
| Key | Part Number | Description | Pump Size | | |
|-----|---------------|--------------------------------|-----------|-------|-------|
| | | | 25 Ft | 30 Ft | 35 Ft |
| 1 | 275-01-11-000 | Main Tube Sub Assy 25 Ft | 1 | | |
| | 276-23-12-000 | Main Tube Sub Assy 30 Ft | | 1 | |
| | 277-24-13-000 | Main Tube Sub Assy 35 Ft | | | 1 |
| 2 | 275-01-03-000 | Tube Cylinder Lug Assy | 1 | 1 | 1 |
| 3 | 275-16-00-000 | Lower Shaft Guard Assy | 1 | 1 | 1 |
| 4 | 275-18-00-000 | Shaft Guard Assy | 1 | 1 | 1 |
| 5 | 275-22-00-000 | Upper Shaft Guard Assy | 1 | | |
| | 276-21-00-000 | Upper Shaft Guard Assy | | 1 | |
| | 277-20-00-000 | Upper Shaft Guard Assy | | | 1 |
| 6 | 277-19-00-000 | Shaft Guard Assy | | 1 | 1 |
| 7 | 250-75-00-000 | Knuckle Assy | 1 | 1 | 1 |
| 8 | 275-01-00-055 | Main Tube 25 Ft | 1 | | |
| | 276-23-00-088 | Main Tube 30 Ft | | 1 | |
| | 277-24-00-089 | Main Tube 35 Ft | | | 1 |
| 9 | 275-01-00-078 | Brg Support Channel | 7 | 9 | 10 |
| 10 | 275-01-00-060 | Axle Pivot Brkt | 1 | 1 | 1 |
| 11 | 275-01-00-099 | Axle Pivot Brkt Gusset | 2 | 2 | 2 |
| 12 | 275-03-00-040 | Trailer Cylinder Brkt | 1 | 1 | 1 |
| 13 | 275-01-03-100 | Cylinder Lug Reinforcing Plate | 1 | 1 | 1 |
| 14 | 275-16-00-077 | Brg Holder Strap | 14 | 18 | 20 |
| 15 | 275-16-00-079 | Lower Shaft Guard | 1 | 1 | 1 |
| 16 | 275-18-00-083 | Shaft Guard | 1 | 1 | 1 |
| 17 | 275-22-00-087 | Shaft Guard | 1 | | |
| | 276-21-00-086 | Shaft Guard | | 1 | |
| | 277-20-00-085 | Shaft Guard | | | 1 |
| 18 | 277-19-00-084 | Shaft Guard | | 1 | 1 |
| 19 | 275-16-00-082 | Brg Shield Con Plate | 2 | 3 | 3 |
| 20 | 275-00-00-096 | Main Shaft | 1 | 1 | 1 |
| 21 | 276-00-00-097 | Auxiliary Shaft | | 1 | |
| | 277-00-00-098 | Auxiliary Shaft | | | 1 |
| 22 | 275-00-00-095 | Shaft Coupling | | 1 | 1 |
| 23 | 275-01-00-056 | Main Tube Adaptor Plate | 1 | 1 | 1 |
| 24 | 270-00-00-075 | Key | 2 | 4 | 4 |
| 25 | 250-75-00-187 | 1 3/8 - 6 Tooth Q D Yoke | 1 | 1 | 1 |
| 26 | 250-75-00-179 | 1 3/4 Round Hole Yoke | 1 | 1 | 1 |
| 27 | R20334 | Journal & Brg Kit | 1 | 1 | 1 |
| 28 | R20234 | 1 3/4 Split Wood Brg | 7 | 9 | 10 |
| 29 | R07699 | 7/16 x 3 1/2 Gr 8 Hex Bolt | 2 | 4 | 4 |
| 30 | R07891 | 7/16 Lock Nut | 2 | 4 | 4 |
| 31 | R07785 | 1/2" Hex Nut | 4 | 6 | 6 |
| 32 | R07637 | 1/2 X 1 Hex Bolt | 6 | 8 | 8 |
| 33 | R07805 | 1/2 Lock Washer | 6 | 8 | 8 |
| 34 | R07675 | 3/8 X 1 1/4 Hex Bolt | 25 | 32 | 37 |
| 35 | R07629 | 7/16 X 1 1/2 Hex Bolt | 14 | 18 | 20 |
| 36 | R07784 | 7/16 Hex Nut | 14 | 18 | 20 |
| 37 | R07804 | 7/16 Lock Washer | 14 | 18 | 20 |



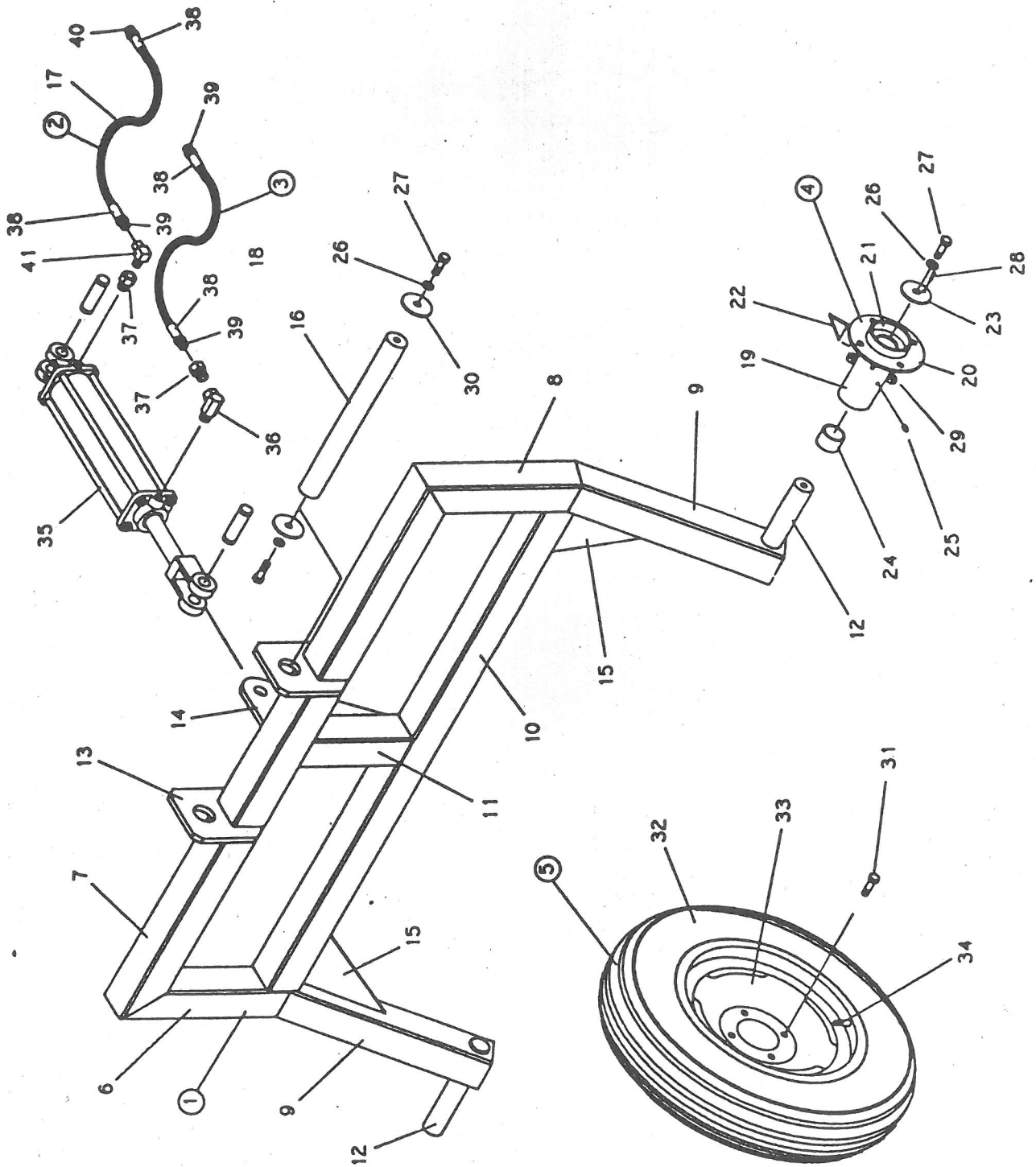
| Key | Part Number | Description | Qty |
|-----|---------------|-----------------------------------|-----|
| 1 | 275-01-06-000 | Upper Valve & Cylinder Complete | 1 |
| 2 | 275-01-05-000 | Upper Valve Housing Assy | 1 |
| 3 | 275-01-04-000 | Hitch Pivot Pin Assy | 1 |
| 4 | 275-01-08-000 | Leg Brkt Assy | 1 |
| 5 | 270-04-00-000 | Stand Leg Assy | 1 |
| 6 | 275-01-15-000 | Top Guard Hold Down Brkt | 1 |
| 7 | 275-01-00-000 | Main Tube Assy 25 Ft | 1 |
| | 276-23-00-000 | Main Tube Assy 30 Ft | 1 |
| | 277-24-00-000 | Main Tube Assy 35 Ft | 1 |
| 8 | 275-01-10-000 | 1 1/2" Cylinder Complete w/Flange | 1 |
| 9 | 270-05-00-000 | Stand Pin Assy | 1 |
| 10 | 250-15-17-000 | Upper Extension Pipe Assy | 1 |
| 11 | 275-01-00-055 | Main Tube - 25 Ft | 1 |
| | 276-23-00-088 | Main Tube - 30 Ft | 1 |
| | 277-24-00-089 | Main Tube - 35 Ft | 1 |
| 12 | 275-00-00-053 | Guard | 1 |
| 13 | 275-01-05-005 | Valve Extension Tube | 1 |
| 14 | 275-01-05-059 | Tube Elbow Centre Piece | 1 |
| 15 | 275-01-05-061 | Top Valve Extension Tube | 1 |
| 16 | 275-01-05-094 | Lift Hook | 1 |
| 17 | 275-01-02-011 | Valve Body | 1 |
| 18 | 275-01-02-012 | Valve Housing Blange | 1 |
| 19 | 275-01-02-062 | Valve End Cap | 1 |
| 20 | 250-15-17-061 | Valve Extension Pipe | 1 |
| 21 | 250-15-17-125 | Stop Ring | 1 |
| 22 | 250-12-10-042 | Coupling Base Tube | 1 |
| 23 | 275-01-00-058 | Gusset | 1 |
| 24 | 275-01-00-057 | Support Plate | 1 |
| 25 | 275-01-00-054 | Gear Box Mounting Brkt | 1 |
| 26 | 275-01-15-110 | Top Guard Hold Down Brkt | 1 |
| 27 | 275-01-04-051 | Hitch Pivot Pin | 1 |
| 28 | 275-01-04-052 | Hitch Pivot Pin Gusset | 4 |
| 29 | 275-01-08-090 | Leg Stand Brkt | 2 |
| 30 | 270-01-02-005 | Stand Sleeve | 1 |
| 31 | 270-04-00-041 | Stand Leg | 1 |
| 32 | 270-04-00-042 | Stand Foot | 1 |
| 33 | 270-05-00-043 | Stand Pin | 1 |
| 34 | 270-01-00-157 | Tube Drain | 1 |
| 35 | R02285 | 2" ABS Pipe Plug | 1 |
| 36 | R02366 | 6" Rubber Gasket | 1 |
| 37 | R21426 | 3 Bank Control Valve | 1 |
| 38 | R20492 | Model 511 Gearbox 1:1.5 | 1 |
| 39 | R07948 | 5/32 Hairpin Cotter | 1 |
| 40 | R07925 | 1/4 X 1 1/2 Plated Ring | 1 |
| 41 | R07637 | 1/2 X 1 Hex Bolt | 4 |
| | R07805 | 1/2" Lock Washer | 4 |
| 42 | R07675 | 3/8 X 1 1/4 Hex Bolt | 3 |
| | R07783 | 3/8 Hex Nut | 3 |
| | R07803 | 3/8 Lock Washer | 3 |
| 43 | R07785 | 1/2" Hex Nut | 2 |
| 44 | R07619 | 3/8 X 1 Hex Bolt | 2 |
| | R07783 | 3/8 Hex Nut | 2 |
| | R07803 | 3/8 Lock Washer | 2 |
| 45 | R07825 | 1/2" Flat Washer | 4 |



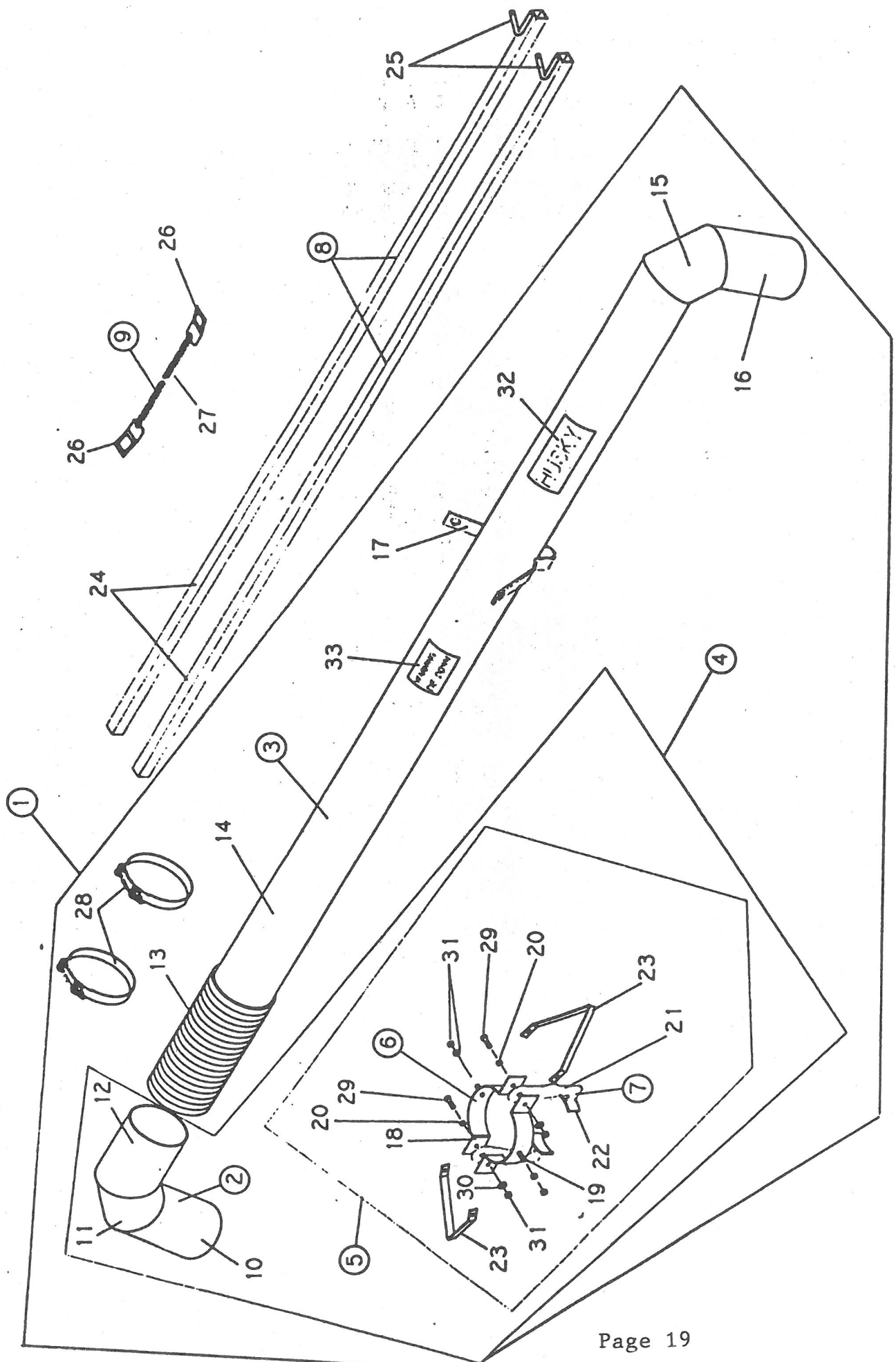
| Key | Part Number | Description | Pump Size | | |
|-----|---------------|---|-----------|-------|-------|
| | | | 25 Ft | 30 Ft | 35 Ft |
| 1 | 275-26-00-000 | Hyd Hose Assy | 6 | 6 | 6 |
| 2 | 275-27-00-000 | Hyd Hose Assy | 2 | 2 | 2 |
| 3 | 270-18-00-000 | Hyd Hose Assy - Control To Tractor | 1 | 1 | 1 |
| 4 | 270-47-00-000 | Hyd Hose Assy - Control To Tractor | 1 | 1 | 1 |
| 5 | 270-19-00-000 | Hyd Hose Assy - Tractor to Pipe | 2 | 2 | 2 |
| 6 | 275-00-00-101 | Hyd Pipe | 6 | | |
| | 275-00-00-103 | Hyd Pipe | | 6 | 6 |
| 7 | 275-00-00-102 | Hyd Pipe | 2 | | |
| | 276-00-00-104 | Hyd Pipe | | 2 | |
| | 275-00-00-101 | Hyd Pipe | | | 2 |
| 8 | 276-00-00-105 | Hyd Pipe | | 6 | |
| | 277-00-00-106 | Hyd Pipe | | | 6 |
| 9 | 270-00-00-103 | Hydraulic Pipe Fastener | 25 | 32 | 37 |
| 10 | R21426 | 3 Bank Control Valve | 1 | 1 | 1 |
| 11 | R21276 | 3/4-16 SAE X 1/2 NPT Swivel Adaptor | 1 | 1 | 1 |
| 12 | R20814 | 3/4-16 SAE X 1/2 NPT 90° Swivel Adaptor | 1 | 1 | 1 |
| 13 | R21395 | 3/8 NPT Swivel Tee | 2 | 2 | 2 |
| 14 | R21336 | Restrictor | 1 | 1 | 1 |
| 15 | R02058 | 3/8" Pipe Coupling | 14 | 20 | 20 |
| 16 | R07675 | 3/8 X 1 1/4 Hex Bolt | 25 | 32 | 37 |
| 17 | R07794 | 3/8 Flange Nut | 25 | 32 | 37 |
| 18 | R20826 | 3/4 - 16 SAE X 3/8 NPT 45° Swivel Adaptor | 6 | 6 | 6 |



| Key | Part Number | Description | Qty |
|-----|---------------|--------------------------|-----|
| 1 | 275-04-00-000 | Hitch Assy | 1 |
| 2 | 275-13-00-000 | Hitch Swivel Assy | 1 |
| 3 | 270-56-00-000 | Hitch Pin Complete | 2 |
| 4 | 275-04-00-043 | Hitch Back Plate | 1 |
| 5 | 275-04-00-045 | Hitch Arms | 2 |
| 6 | 275-04-00-046 | Lower Hitch Arm Gusset | 1 |
| 7 | 275-04-00-048 | Swivel Pin Sleeve | 1 |
| 8 | 275-04-00-050 | Upper Hitch Arm Gusset | 1 |
| 9 | 280-20-00-061 | Hitch Adjustment Plate | 2 |
| 10 | 280-00-00-085 | Hitch Plate | 2 |
| 11 | 270-56-00-160 | Hitch Pin | 2 |
| 12 | 275-00-00-047 | Swivel Pin Stop | 2 |
| 13 | 275-13-00-042 | Hitch Sleeve | 1 |
| 14 | 275-13-00-044 | Swivel Pin | 1 |
| 15 | 275-13-00-049 | Swivel Pin Gusset | 2 |
| 16 | 275-13-00-075 | Swivel Pin Bushing | 1 |
| 17 | R07633 | 7/16 X 3 1/1 Hex Bolt | 2 |
| 18 | R07891 | 7/16 Lock Nut | 2 |
| 19 | R08183 | 1/4-28 Grease Fitting | 1 |
| 20 | R08040 | S-18 Lynch Pin | 2 |
| 21 | R07655 | 3/4 X 2 1/2 Hex Hd Bolt | 4 |
| 22 | R07807 | 3/4" Lock Washer | 4 |
| 23 | R07787 | 3/4" Hex Nut | 4 |
| 24 | R07798 | 1 1/8-12 UNF Hex Nut | 2 |
| 25 | R07810 | 1 1/8 Lock Washer | 2 |
| 26 | R07796 | 1 1/8-12 UNF Hex Jam Nut | 2 |

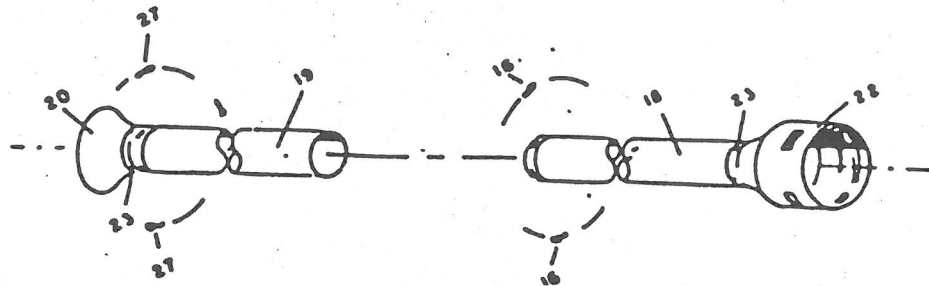
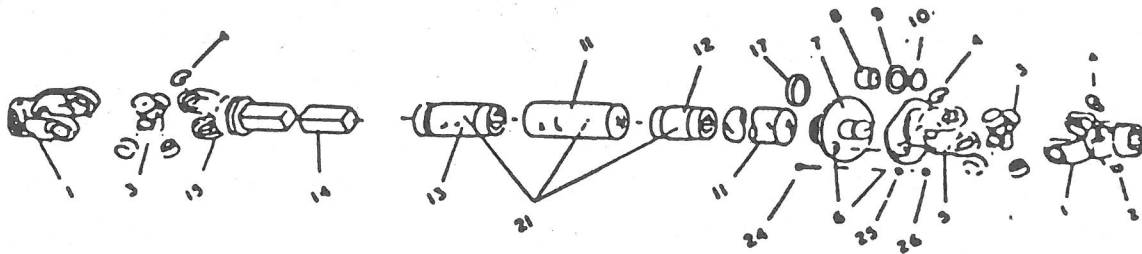


| Key | Part Number | Description | Qty |
|-----|---------------|--------------------------------------|-----|
| 1 | 275-03-00-000 | Trailer Assy | 1 |
| 2 | 275-33-00-000 | 1/4" Hydraulic Hose Assy | 1 |
| 3 | 275-34-00-000 | 1/4" Hydraulic Hose Assy | 1 |
| 4 | 270-62-00-000 | Hub Assy | 2 |
| 5 | 250-65-00-000 | 5.90 X 15 Tire & Wheel Assy | 2 |
| 6 | 275-03-00-026 | Vertical Leg Piece - L.H. | 1 |
| 7 | 275-03-00-033 | Trailer Cross Member | 1 |
| 8 | 275-03-00-034 | Vertical Leg Piece R.H. | 1 |
| 9 | 275-03-00-035 | Spindle Holder | 2 |
| 10 | 275-03-00-036 | Support Cross Member | 1 |
| 11 | 275-03-00-037 | Vertical Support | 1 |
| 12 | 275-03-00-038 | Spindle | 2 |
| 13 | 275-03-00-039 | Pivot Lug | 2 |
| 14 | 275-03-00-040 | Trailer Cylinder Brkt | 1 |
| 15 | 275-03-00-041 | Trailer Gusset | 2 |
| 16 | 275-00-00-107 | Axle Pivot Pin | 1 |
| 17 | 275-33-00-117 | Hydraulic Hose | 1 |
| 18 | 275-34-00-118 | Hydraulic Hose | 1 |
| 19 | 270-08-00-059 | Hub Centre | 2 |
| 20 | 270-62-00-184 | Hub Plate | 2 |
| 21 | 270-62-00-185 | Pilot Ring | 2 |
| 22 | 270-62-00-186 | Hub Gusset | 4 |
| 23 | 270-00-00-057 | Retaining Washer | 2 |
| 24 | R20251 | 1 5/8 X 1 7/8 X 1 1/4 Brass Bushing | 4 |
| 25 | R08183 | 1/4" Grease Fitting | 2 |
| 26 | R07805 | 1/2" Lock Washer | 4 |
| 27 | R07674 | 1/2 X 1 1/4 Hex Hd Bolt | 4 |
| 28 | R07944 | 3/16 X 3/4 Roll Pin | 2 |
| 29 | R07785 | 1/2-13 Hex Nuts | 8 |
| 30 | R07854 | W158 Washer 5/8 ID X 2 1/2 OD | 2 |
| 31 | R07637 | 1/2 X 1 Hex Wheel Bolts | 8 |
| 32 | R20016 | 5.90 X 15 Rib Implement Tubless Tire | 2 |
| 33 | R20057 | 4.5 X 15 Wheel | 2 |
| 34 | R20020 | Valve Stem | 2 |
| 35 | R20727 | 3 X 8 Hydraulic Cylinder | 1 |
| 36 | R21335 | 90° Restrictor Plug | 1 |
| 37 | R02043 | 1/2 X 3/8 Bushing | 2 |
| 38 | R21231 | 1/4" Ferrule | 4 |
| 39 | R20803 | 3/8-18 NPT Male Solid Stem | 3 |
| 40 | R20806 | 3/8-18 NPT Male Swivel Stem | 1 |
| 41 | R21366 | 3/8 NPT Steel 90° elbow | 1 |



| Key | Part Number | Description | Qty |
|-----|---------------|--------------------------------------|-----|
| 1 | 250-26-00-000 | Discharge Pipe Complete - 15 Ft | 1 |
| | 250-55-00-000 | Discharge Pipe Complete - 20 Ft | * |
| 2 | 250-26-21-000 | Pump Elbow Assy | 1 |
| 3 | 250-26-22-000 | Discharge Pipe Assy - 15 Ft | 1 |
| | 250-55-25-000 | Discharge Pipe Assy - 20 Ft | * |
| 4 | 250-52-00-000 | Discharge Elbow & Pipe Connector Kit | 1 |
| 5 | 250-50-00-000 | Discharge Pipe Conn - Hook Kit | 1 |
| 6 | 250-27-00-000 | Discharge Pipe Sleeve Assy | 2 |
| 7 | 250-28-00-000 | Discharge Pipe Hook Assy | 2 |
| 8 | 242-33-00-000 | Bipod Leg Assy | 2 |
| 9 | 242-79-00-000 | Bipod Leg Chain Assy | 1 |
| 10 | 250-26-21-092 | Pump Elbow Base Section | 1 |
| 11 | 250-26-21-093 | Pump Elbow Middle Section | 1 |
| 12 | 250-26-21-094 | Pump Elbow Upper Section | 1 |
| 13 | 250-00-00-095 | Flexible Hose Section | 1 |
| 14 | 250-26-22-096 | Discharge Pipe - 15 Ft | 1 |
| | 250-55-25-134 | Discharge Pipe - 20 Ft | * |
| 15 | 250-26-22-09 | Discharge Elbow Centre Piece | 1 |
| 16 | 250-26-22-098 | Discharge Elbow End Piece | 1 |
| 17 | 250-26-22-099 | Discharge Pipe Hook | 1 |
| 18 | 250-27-00-101 | Discharge Pipe Lock Brkt | 2 |
| 19 | 242-31-00-150 | Reddi Rod | 2 |
| 20 | 242-00-00-152 | Hook Spacer | 2 |
| 21 | 242-32-00-153 | Discharge Pipe Lock Hook | 2 |
| 22 | 250-28-00-102 | Hook Plate | 2 |
| 23 | 250-00-00-103 | Bracket Lock | 2 |
| 24 | 242-33-00-155 | Bipod Legs | 2 |
| 25 | 242-33-00-156 | Bipod Leg Hook | 2 |
| 26 | 242-79-00-198 | Bipod Leg Clip | 2 |
| 27 | 242-79-00-199 | Bipod Leg Chain | 1 |
| 28 | R02482 | 6" Super Clamp | 2 |
| 29 | R07611 | 5/16 X 1 Hex Hd Bolt | 2 |
| 30 | R07802 | 5/16 Lock Washer | 2 |
| 31 | R07782 | 5/16 Hex Nut | 6 |
| 32 | R09502 | Husky Decal | 1 |
| 33 | R09690 | Tie Down Decal | 1 |

* Optional



R20323

1340 Series PTO

| Key | Part Number | Description | Qty |
|-----|-------------|--|-----|
| 1 | R20331 | Q D Yoke - 1 3/8 6 Tooth - 540 rpm | 1 |
| 2 | R20292 | Q D Parts Kit 540 rpm | 1 |
| 3 | R20334 | Journal & Brg Kit | 1 |
| 4 | R20339 | Snap Ring for Journal Kit | 8 |
| 5 | R20338 | Shear Pin Plate & Yoke | 1 |
| 6 | R20351 | Shear Plate Bushing - 3/8 Bore | 1 |
| 7 | R20348 | Stub Shear Flange | 1 |
| 8 | R20249 | 1 1/8 X 1 1/4 X 1 1/4 Long Brass Bushing | 1 |
| 9 | R20344 | Retaining thrust Washer | 1 |
| 10 | R20342 | Snap Ring | 1 |
| 11 | R20355 | Prop Shaft Tube 2 1/8 OD X .083 Wall | 1 |
| 12 | R20354 | Inner Drive Sleeve | 1 |
| 13 | R20341 | Outer Drive Sleeve | 1 |
| 14 | R20357 | 1 3/16 Sq Drive Bar | 1 |
| 15 | R20349 | 1 3/16 Sq Hole Yoke | 1 |
| 16 | R20330 | Shield Brg - Inner | 2 |
| 17 | R20366 | Nylon Ring Shield Brg | 1 |
| 18 | R20359 | 2 1/2" OD Plastic Inner Shield Tube | 1 |
| 19 | R20360 | 2 3/4" OD Plastic Outer Shield Tube | 1 |
| 20 | R20353 | Outer Plastic Shield Bell | 1 |
| 21 | R20336 | Double Sleeve Assy | 1 |
| 22 | R20367 | Inner Extended Plastic Shield Bell | 1 |
| 23 | R08168 | Split Rivet | 6 |
| 24 | R07621 | 3/8 X 2 Hex Shear Bolt - Grade 5 | 1 |
| 25 | R07803 | 3/8 Lock Washer | 1 |
| 26 | R07783 | 3/8 Hex Nut | 1 |
| 27 | R20329 | Shield Brg - Outer | 3 |

Kits

| | |
|---------------|--|
| 250-71-00-000 | Safety Shield Brg Kit |
| Contains: | 3 - R20329 Brg, 2 - R20330 Brg, 1 - R20366 Rings |
| R20308 | Shield Brg Kit - 228397X |
| Contains: | 6- R20329 Brgs |
| R20337 | Shield Brg Kit - 228162X |
| Contains: | 4 - R20330 Brgs |