

Office Copy

July 2, 2002 - 20ms

Date Purchased _____ Machine Serial No. _____

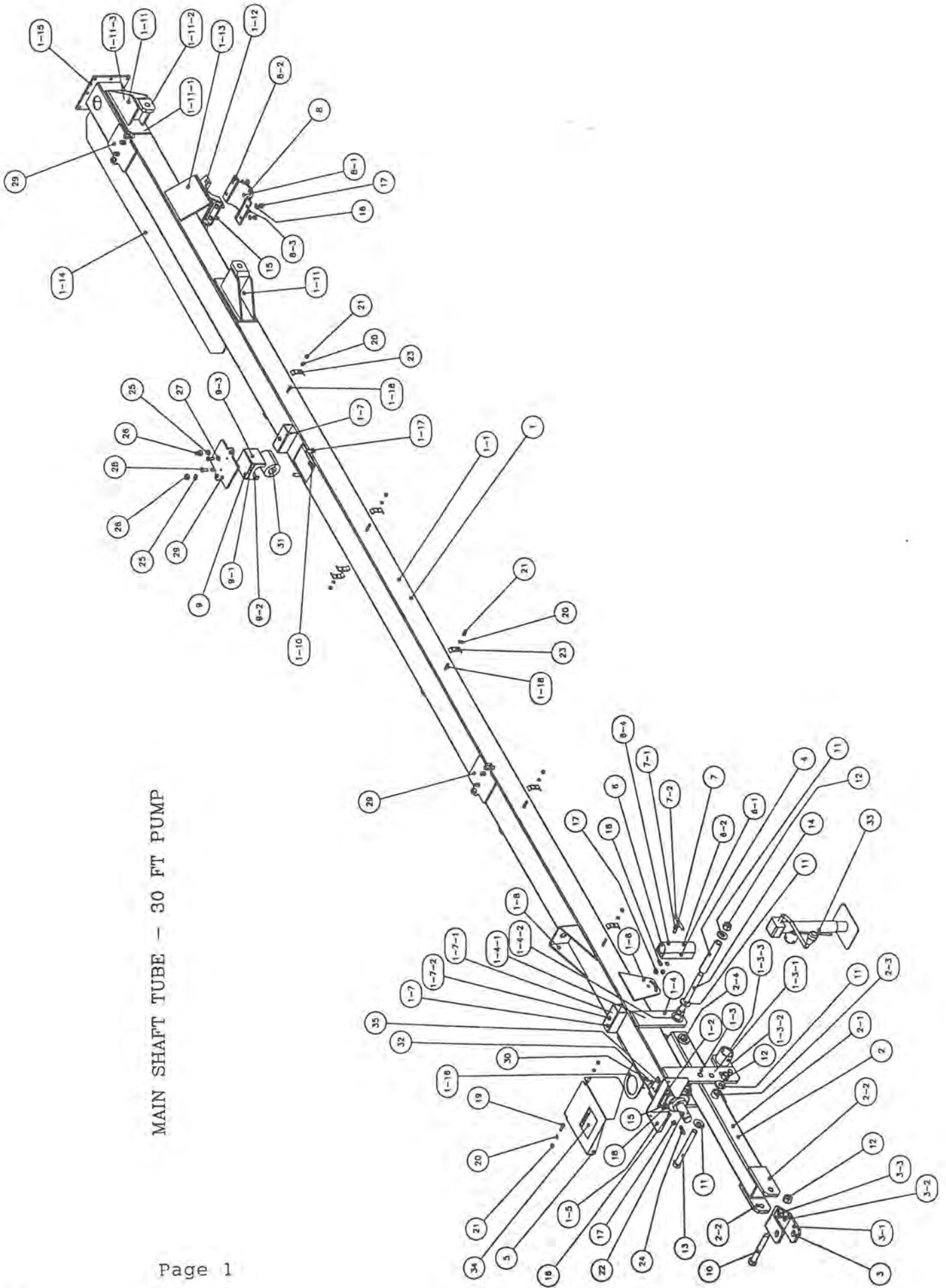
Size of Pump _____ Options _____

Oct 25 - 7"
June 3/03 - 7"
Aug 28/06 "
Apr 9/04 - 7"
June 3 - 8"
Mar 10/05 - 4"

Please order parts by number

**TIGER 6" LAGOON
HUSKY LIQUID MANURE PUMP**

1. See your operator manual for full operating instructions, if not supplied please phone Husky Farm Equipment (519) 846-5329.
2. Always check both knuckles on P.T.O. to make sure there is equal blend on both ends when operating.
3. Don't try and extend wheels if pump is under heavy crust, as it may collapse the undercarriage.
4. For open centre hydraulics on tractor, use short plug on right side of hydraulic control valve. For closed centre hydraulics, use long plug with O-ring, oil must flow in left end of valve.
5. Before operating, extend stabilizing legs to support pump while agitating, if legs are not down, pump could roll over while agitating.
6. Wash pump off after each use, this will extend the life of the pump.
7. Make sure support legs for discharge pipe are locked in place and chain between legs is installed, tie a heavy weight to the discharge pipe as it could lift up and damage pipe when pumping.



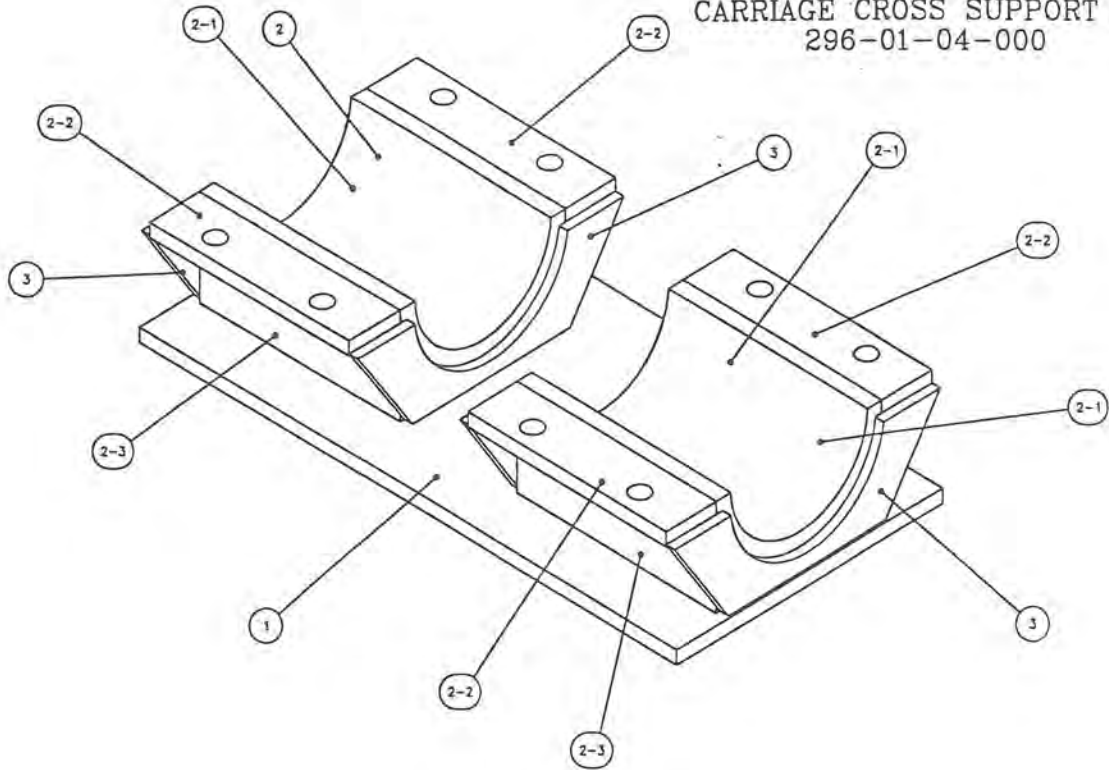
MAIN SHAFT TUBE - 30 FT PUMP

MAIN SHAFT TUBE

Item	Name	Description	Qty
1	296-01-00-000	UPPER DRIVE SHAFT TUBE ASSY	1
1-1	296-01-00-001	UPPER DRIVE SHAFT TUBE	1
1-2	296-01-00-002	BEARING FLANGE	1
1-3	296-01-06-000	LH ADJUSTMENT ARM ASSY	1
1-3-1	296-01-00-004	ADJUSTMENT ARMS	1
1-3-2	296-01-06-101	JACK BRKT	1
1-3-3	364-35-00-245	TONGUE JACK BRKT	1
1-4	296-01-01-000	TONGUE PIVOT ARM ASSY	2
1-4-1	296-01-01-005	PIVOT ARM	2
1-4-2	296-01-01-006	PIVOT ARM BUSHING	2
1-5	296-01-00-003	PTO GUARD MOUNT	1
1-6	296-01-00-007	PIVOT PLATE	1
1-7	296-01-03-000	DISCHARGE ADJ SLEEVE ASSY	2
1-7-1	296-01-03-012	ADJUSTMENT SLEEVE	2
1-7-2	R07795	1/2" FLANGE NUT	2
1-8	296-01-00-011	UPPER REINFORCING ROD BRKT	1
1-9	296-01-00-004	ADJUSTMENT ARMS	1
1-10	296-01-05-000	BEARING BASE ASSY	3
1-10-1	296-01-05-017	BRG HOLDER HALF	3
1-10-2	296-01-05-018	LOWER STAND	6
1-11	296-01-02-000	CYLINDER BRKT ASSY	2
1-11-1	296-01-02-008	CYLINDER BRKT BACK PLATE	2
1-11-2	296-01-02-009	CYLINDER BRKT	2
1-11-3	296-01-02-010	CYLINDER BRKT GUSSET	4
1-12	296-01-04-000	CARRIAGE CROSS SUPPORT ASSY	1
1-12-1	296-01-04-013	CROSS SUPPORT PLATE	1
1-12-2	290-12-01-000	SADDLE ASSY	2
1-12-2-1	290-12-01-054	CROSS SUPPORT HALF TUBE	2
1-12-2-2	290-13-00-055	FLANGE	4
1-12-2-3	290-12-01-053	CROSS SUPPORT CHANNEL	2
1-12-3	290-12-00-172	CROSS SUPPORT REINF PLATE	4
1-13	296-01-00-014	CROSS SUPPORT GUSSET	2
1-14	296-01-00-104	TUBE REINFORCING PLATE	1
1-15	296-01-00-015	LOWER FLANGE	1
1-16	290-32-00-121	PTO HOLDER	1
1-17	296-01-00-016	CAP REDDI THREAD	6
1-18	R08302	3/8 X 1 5/8" WELD STUD	19
2	296-03-00-000	TONGUE ASSY	1
2-1	296-03-00-021	TONGUE	1
2-2	296-03-00-022	TONGUE PLATE	2
2-3	296-03-00-023	ADJUSTMENT BUSHING	1
2-4	296-03-00-024	TONGUE PIVOT BUSHING	1
3	296-04-00-000	HITCH ASSY	1
3-1	296-04-00-025	HITCH	1
3-2	296-04-00-026	HITCH REINFORCING PLATE	1
3-3	296-04-00-027	HITCH SLEEVE	1
4	296-00-00-100	PIVOT PIN	1

Item	Name	Description	Qty
5	296-00-00-033	PTO GUARD	1
6	296-21-00-000	PIVOT ASSY	1
6-1	296-21-00-082	PIVOT CHANNEL	1
6-2	296-21-00-083	PIVOT TUBE	1
6-3	R07674	1/2 X 1 1/4" HEX BOLT	2
6-4	R07795	1/2" HEX FLANGE NUT	1
7	296-22-00-000	TEE HANDLE ASSY	1
7-1	R07639	1/2 X 2" HEX BOLT	1
7-2	296-22-00-084	TEE HANDLE	1
8	290-13-00-000	CROSS SUPPORT TOP CLAMP ASSY	2
8-3	290-13-00-173	CLAMP SUPPORT	4
8-1	290-13-00-056	HALF TUBE W/GREASE HOLE	2
8-2	290-13-00-055	FLANGE	4
9	296-05-00-000	UPPER BEARING HOLDER ASSY	3
9-1	296-01-05-017	BEARING HOLDER HALF	3
9-2	296-05-00-028	UPPER RETAINER PLATE	6
9-3	296-05-00-029	UPPER BRG COVER	3
10	R07668	1"-8 UNC X 7" LONG HEX BOLT	1
11	R07828	1" FLAT WASHER	4
12	R07882	1" 8 UNC 2 WAY HEX LOCK NUT	3
13	R07859	1"-8 UNC X 9" LONG HEX BOLT	1
14	R08285	1"-8 UNC X 10" LONG HEX BOLT	1
15	R07638	1/2 X 1 1/2" HEX BOLT	12
16	R07805	1/2" LOCK WASHER	14
17	R07785	1/2" HEX NUT	14
18	R20585	HD 1 3/4" FLANGE BEARING	1
19	R07675	3/8 X 1 1/4" HEX BOLT	2
20	R07803	3/8" LOCK WASHER	21
21	R07783	3/8" HEX NUT	21
22	296-00-00-031	UPPER DRIVE SHAFT	1
23	290-00-00-167	HYDRAULIC HOSE CLIP	19
24	270-00-00-075	3/8" KEY	1
25	R07806	5/8" LOCK WASHER	6
26	R07786	5/8" HEX NUT	6
27	R07784	7/16" NYLOC HEX NUT	6
28	R07671	7/16 X 1 1/4" HEX BOLT	6
29	296-00-00-030	TUBE COVER PLATE	3
30	R08152	#6 X 1/4" PAN HEAD SOCKET SCREW	2
31	R20236	1 3/4" SPLIT ROUND WOOD BEARING	3
32	R09071	SERIAL NUMBER PLATE	1
33	R09751	7000 LB SIDE WIND JACK	1
34	R09785	"DANGER" DECAL	1
35	340-01-00-498	SERIAL NUMBER ATTACHMENT PLATE	1

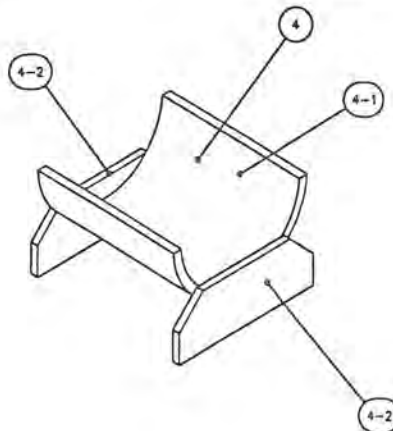
CARRIAGE CROSS SUPPORT ASSY
296-01-04-000

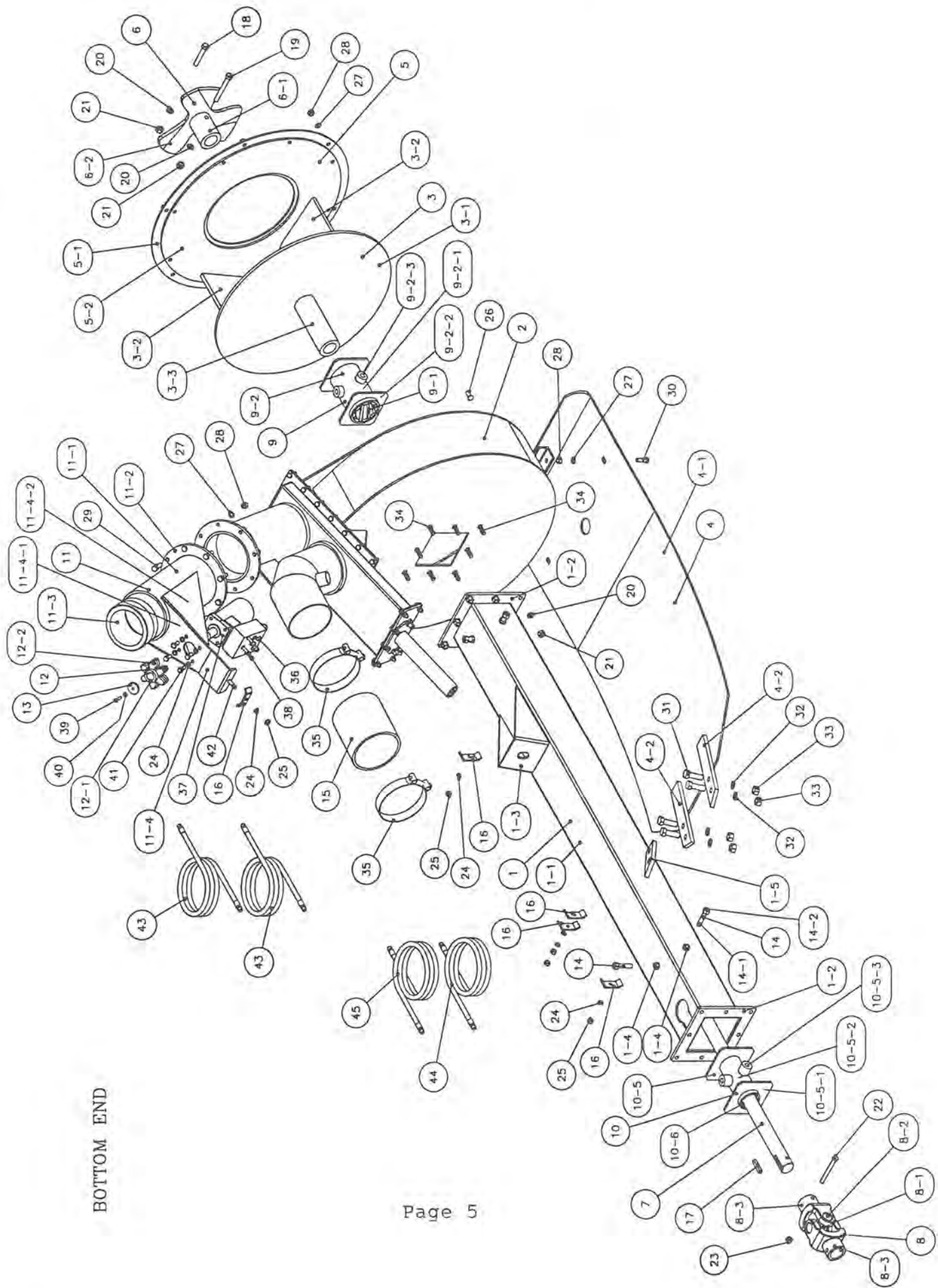


DETAIL ON 296-01-04-000 & 296-01-05-000

Item	Name	Description	Qty
1	296-01-04-013	CROSS SUPPORT PLATE	1
2	290-12-01-000	SADDLE ASSY	2
2-1	290-12-01-054	CROSS SUPPORT HALF TUBE	2
2-2	290-13-00-055	FLANGE	4
2-3	290-12-01-053	CROSS SUPPORT CHANNEL	2
3	290-12-00-172	CROSS SUPPORT REINF PLATE	4
4	296-01-05-000	BEARING BASE ASSY	1
4-1	296-01-05-017	BRG HOLDER HALF	1
4-2	296-01-05-018	LOWER STAND	2

BEARING BASE ASSY
296-01-05-000





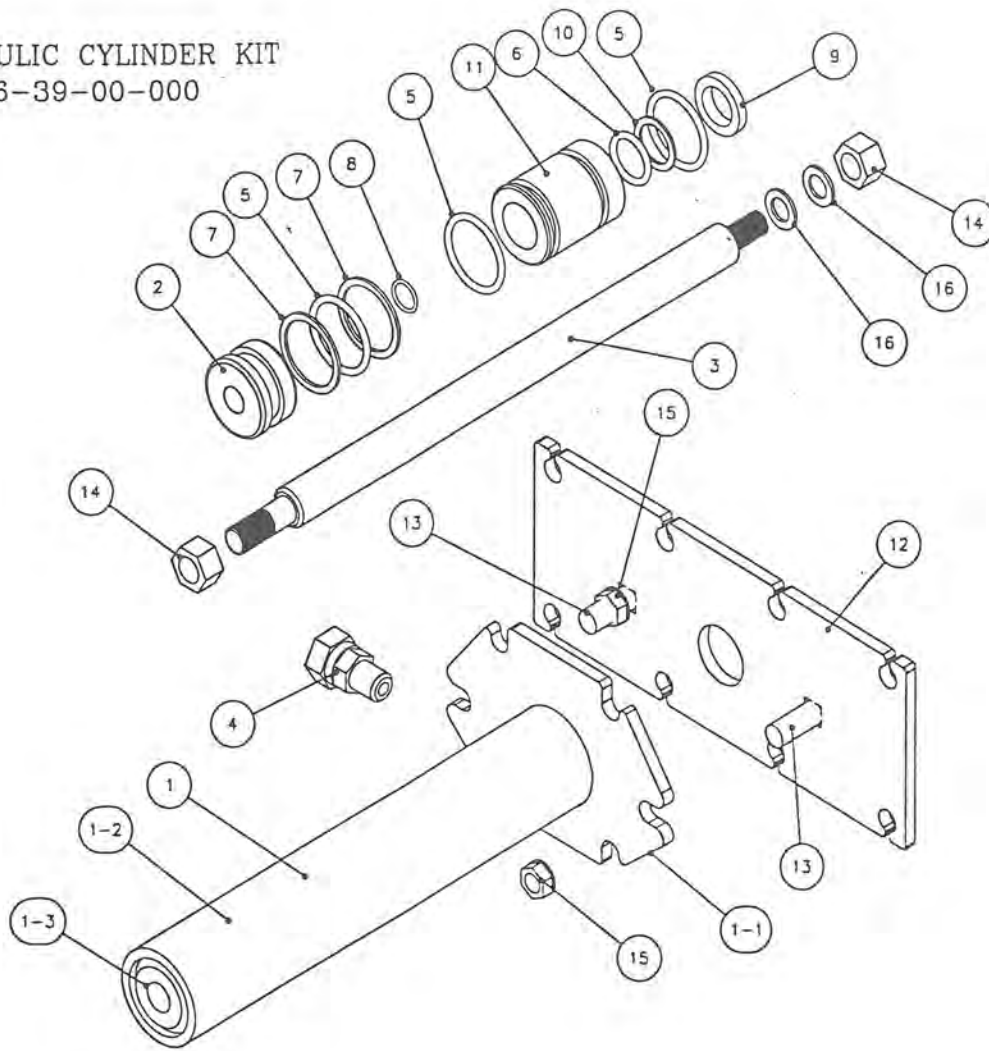
BOTTOM END

COMPLETE BOTTOM END

Item	Name	Description	Qty
1	296-02-00-000	LOWER DRIVE SHAFT TUBE ASSY	1
1-1	296-02-00-019	LOWER DRIVE SHAFT TUBE	1
1-2	296-01-00-015	LOWER FLANGE	2
1-3	296-02-00-020	LOWER REINF ROD BRKT	1
1-4	R08304	1/2" SS FLANGE NUT	4
1-5	270-01-00-236	SLIDE ARM BRKT	2
1-6	R08302	3/8-16 X 1 5/8" WELD STUD	6
2	296-06-00-000	IMPELLER HOUSING & VALVE COMPLETE	1
3	296-11-00-000	IMPELLER ASSY	1
3-1	296-11-00-055	IMPELLER BACK PLATE	1
3-2	296-11-00-056	IMPELLER BLADE	4
3-3	244-18-00-331	IMPELLER SLEEVE	1
4	296-07-00-000	SLIDE ASSY	1
4-1	290-36-00-129	SLIDE	1
4-2	290-36-00-130	SLIDE BRKT	2
5	296-10-00-000	COVER PLATE ASSY	1
5-1	296-10-00-053	COVER PLATE	1
5-2	296-10-00-054	COVER PLATE SUPPORT	1
6	296-12-00-000	CHOPPER ASSY	1
6-1	296-12-00-058	CHOPPER HUB	1
6-2	290-14-00-059	CHOPPER	1
7	296-00-00-032	LOWER DRIVE SHAFT	1
8	270-32-00-000	KNUCKLE ASSY	1
8-1	R22029	JOURNAL AND BEARING KIT	1
8-2	R11114	SNAP RING	4
8-3	R22030	1 3/4" ROUND HOLE YOKE	2
9	296-09-00-000	2 3/4" MARINE BRG AND HOLDER ASSY	1
9-1	R20224	URETHENE FOR 2 3/4" MARINE BEARING	1
9-2	296-09-01-000	2 3/4" BEARING HOLDER ASSY	1
9-2-1	244-13-01-320	MARINE BEARING HOLDER	1
9-2-2	296-09-01-052	2 3/4" MARINE BEARING HOLDER FLANGE	2
9-2-3	244-13-01-322	SLEEVE SET SCREW PIPE	2
10	296-08-00-000	MARINE BEARING AND HOLDER COMPLETE	1
10-5	296-08-01-000	MARINE BEARING HOLDER ASSY	1
10-5-1	296-08-01-051	1 3/4" MARINE BEARING FLANGE	2
10-5-2	250-76-34-180	URETHENE BEARING SLEEVE	1
10-5-3	242-22-27-236	SLEEVE SET SCREW PIPE	2
10-6	R20280	POURED URETHENE CORE	1
11	296-06-06-000	VALVE TO ROTATOR PIPE ASSY	1
11-1	296-06-06-049	LONG EXTENSION PIPE	1
11-2	296-06-00-102	FLANGE	1
11-3	290-18-00-090	INNER ROLLER HOLDER	1
11-4	296-06-07-000	HYDRAULIC MOTOR MOUNT ASSY	1
11-4-1	296-06-07-118	HYDRAULIC MOTOR MOUNT PLATE	1
11-4-2	296-06-07-119	MOUNT PLATE SIDES	2
12	290-25-00-000	6 TOOTH SPROCKET ASSY	1
12-1	290-25-00-097	SPROCKET SLEEVE	1

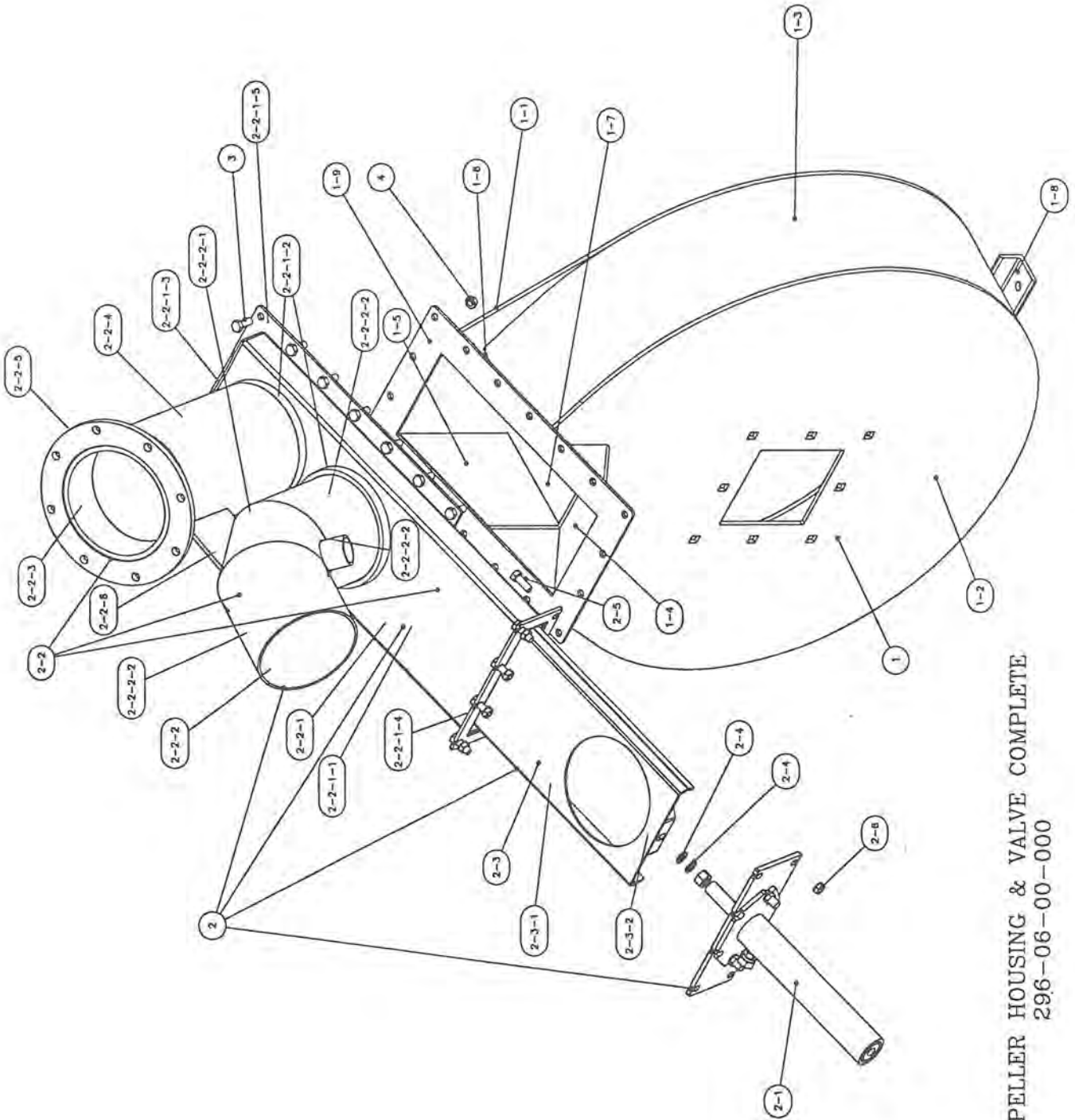
Item	Name	Description	Qty
12-2	290-25-00-096	6 TOOTH SPROCKET	3
13	290-00-00-098	SLEEVE CAP	1
14	250-59-00-000	STAINLESS SETSCREW ASSY	4
14-1	250-59-00-141	STAINLESS SET SCREW ROD	4
14-2	R08235	1/2" STAINLESS STEEL HEX NUT	4
15	296-00-00-071	FLEX HOSE	1
16	290-00-00-167	HYDRAULIC HOSE CLIP	5
17	270-00-00-075	3/8" SQ KEY	1
18	R07641	1/2 X 3" HEX BOLT	1
19	R07643	1/2 X 4" HEX BOLT -GRADE 8	1
20	R07805	1/2" LOCK WASHER	10
21	R07785	1/2" HEX NUT	10
22	R07634	7/16 X 4" HEX BOLT	1
23	R07891	7/16" HEX LOCK NUT	1
24	R07803	3/8" LOCK WASHER	9
25	R07783	3/8" HEX NUT	5
26	R07731	7/16 X 1" CARRIAGE BOLT	6
27	R07804	7/16" LOCK WASHER	16
28	R07784	7/16" NYLOC HEX NUT	16
29	R07671	7/16 X 1 1/4" HEX BOLT	8
30	R07733	7/16 X 1 1/2" CARRIAGE BOLT	2
31	R07647	5/8 X 2" CARRIAGE BOLT	4
32	R07806	5/8" LOCK WASHER	4
33	R07786	5/8" HEX NUT	4
34	R07743	1/2 X 1 1/2" CARRIAGE BOLT	8
35	R02482	6" CLAMP	2
36	R22256	OVER CENTER VALVE-M&S MOTOR	1
37	R22255	HYDRAULIC MOTOR	1
38	R08175	5/16-18 X 1 3/4" CAP SCREW	4
39	R07601	1/4 X 1" HEX BOLT	1
40	R07801	1/4" LOCK WASHER	1
41	R07670	3/8 X 7/8" GRADE 5 HEX BOLT	4
42	R07620	3/8 X 1 1/2" HEX BOLT	1
43	296-42-00-000	HYDRAULIC HOSE ASSY-CONTROL TO TURN MOTOR	2
43	297-07-00-000	HYDRAULIC HOSE ASSY-40 FT-CONTROL TO TURN MOTOR	0
44	296-43-00-000	HYDRAULIC HOSE ASSY-CONTROL TO HYDRAULIC CYLINDER	1
44	297-08-00-000	HYD HOSE ASSY-40 FT-CONTROL TO HYDRAULIC CYLINDER	0
45	296-44-00-000	HYD HOSE ASSY-SHORT-CONTROL TO HYDRAULIC CYLINDR	1
45	297-09-00-000	HYD HOSE ASSY-SHORT-40 FT-CONTROL TO HYDRAULIC CYL	0

HYDRAULIC CYLINDER KIT
296-39-00-000



HYDRAULIC CYLINDER KIT 296-39-00-000

Item	Name	Description	Qty
1	296-39-01-000	HYDRAULIC CYLINDER AND FLANGE ASSY	1
1-2	296-39-01-121	HYDRAULIC CYLINDER TUBE	1
1-3	340-36-18-431	END CAP	1
1-1	296-39-01-122	HYDRAULIC CYLINDER TUBE FLANGE	1
2	340-36-00-435	CYLINDER PLUNGER	1
3	296-00-00-045	HYDRAULIC CYLINDER SHAFT	1
4	R21287	1/4M X 3/8 SWIVEL ADAPTOR	1
5	R20866	O-RING #11-218	3
6	R20771	O-RING #11-210	1
7	R20867	BACKUP RING #8-218	2
8	R20865	O-RING #11-014	1
9	R20774	ROD WIPER	1
10	R20862	BACKUP #210	1
11	340-36-00-434	WIPER BLOCK	1
12	296-39-00-123	CYLINDER FLANGE	1
13	R07776	3/8 X 3/4" CARRIAGE BOLT	2
14	R08228	7/16" S.S. NYLOCK HEX NUT	2
15	R07794	3/8" FLANGE NUT	2
16	R08221	7/16" SAE S.S. FLAT WASHER	2

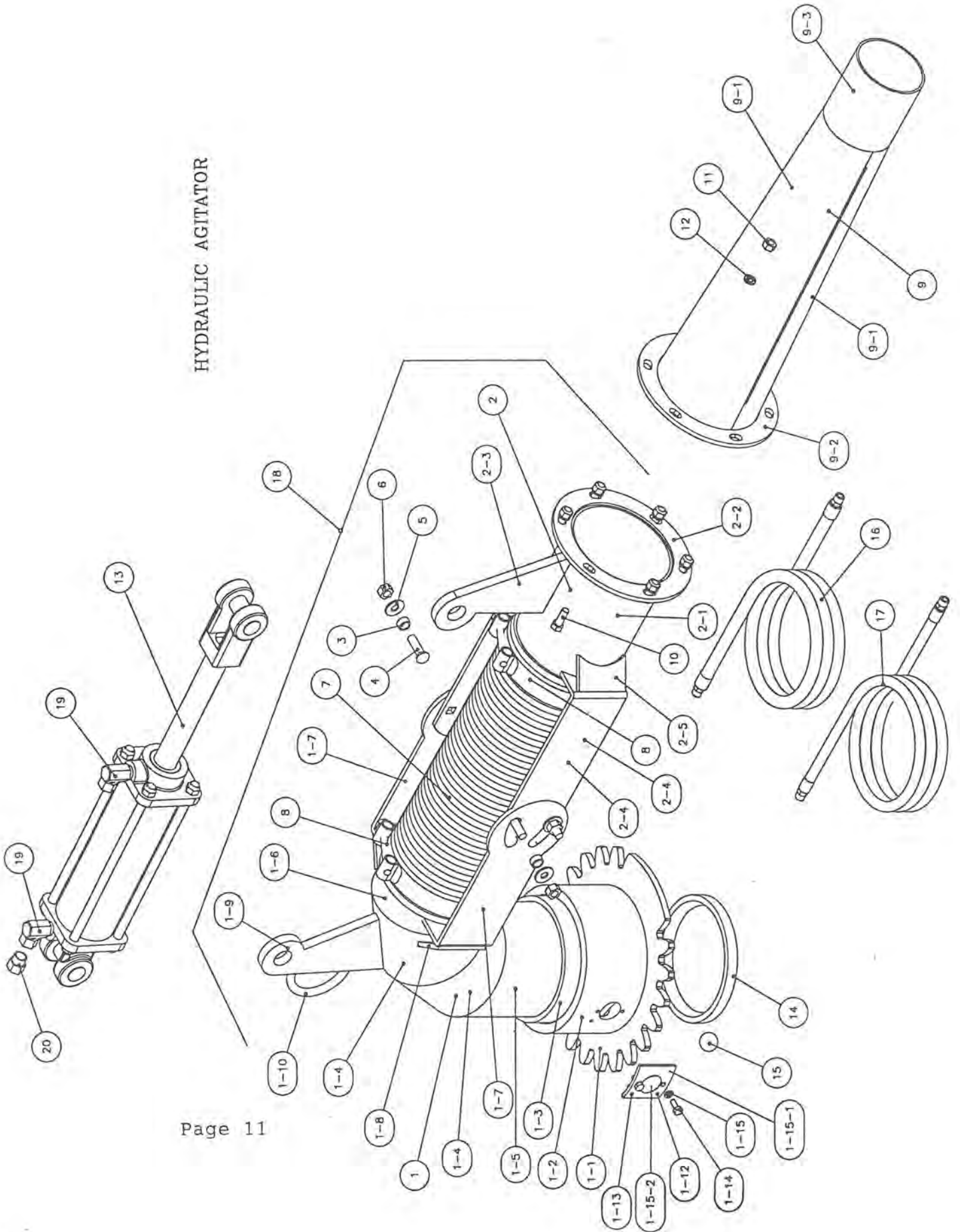


IMPELLER HOUSING & VALVE COMPLETE
296-06-00-000

IMPELLER HOUSING & VALVE COMPLETE 296-06-00-000

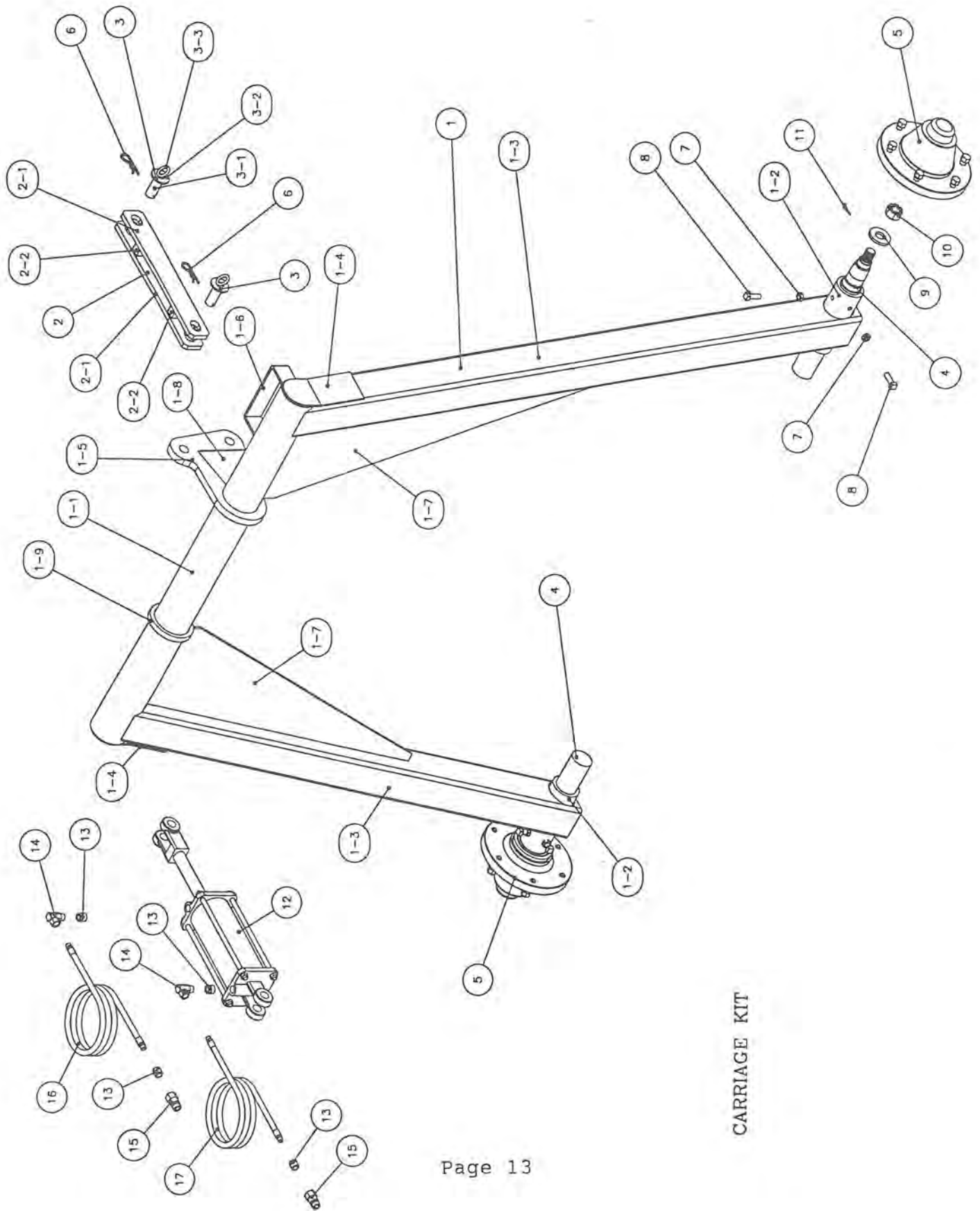
Item	Name	Description	Qty
1	296-06-01-000	BOLT ON IMPELLER HOUSING ASSY	1
1-1	296-06-01-034	HOUSING BOTTOM PLATE	1
1-2	296-06-01-035	HOUSING UPPER PLATE	1
1-3	296-06-01-036	HOUSING BAND	1
1-4	296-06-01-037	HOUSING TO VALVE PLATE	1
1-5	296-06-01-038	RH FILLER PLATE	1
1-6	296-06-01-039	LH FILLER PLATE	1
1-7	296-06-01-040	FILLER PLATE	1
1-8	290-03-01-131	SLIDE HOLD DOWN ANGLE	1
1-9	296-06-02-128	VALVE CONNECTOR FLANGE	1
2	296-40-00-000	VALVE ASSY COMPLETE W/ CYLINDER	1
2-1	296-39-00-000	HYDRAULIC CYLINDER KIT	1
2-2	296-06-03-000	VALVE, ELBOW AND DISCHARGE ASSY	1
2-2-1	296-06-02-000	VALVE BODY ASSY	1
2-2-1-1	296-06-02-041	VALVE TUBE	1
2-2-1-2	275-01-02-091	VALVE EXTENSION PIPE	2
2-2-1-3	275-01-02-062	END CAP	1
2-2-1-4	275-01-02-012	FLANGE	1
2-2-1-5	296-06-02-128	VALVE CONNECTOR FLANGE	1
2-2-1-6	R08323	3/8 X 1" S.S. WELD STUDS	2
2-2-2	296-06-05-000	LOWER DISCHARGE ELBOW ASSY	1
2-2-2-1	296-06-05-047	MIDDLE ELBOW PC	1
2-2-2-2	296-06-05-046	LOWER ELBOW END PC	2
2-2-2-3	296-06-05-091	ELBOW DRAIN PIPE	1
2-2-3	296-06-06-048	SHORT EXTENSION PIPE	1
2-2-4	296-06-03-120	EXTENSION PIPE	1
2-2-5	296-06-00-102	FLANGE	1
2-2-6	296-06-00-050	GUSSET	1
2-3	296-34-00-000	VALVE GATE ASSY	1
2-3-1	296-34-00-043	VALVE GATE	1
2-3-2	296-34-00-044	VALVE GATE BRKT	1
2-4	R08221	7/16" SAE STAINLESS FLAT WASHER	2
2-5	R07619	3/8 X 1" HEX BOLT	8
2-6	R07794	3/8" NYLOCK HEX NUT	8
3	R07619	3/8 X 1" HEX BOLT	16
4	R07794	3/8" FLANGE NUT	18

HYDRAULIC AGITATOR



AGITATOR

Item	Name	Description	Qty
1	290-30-00-000	AGITATOR ELBOW ASSY	1
1-1	290-30-00-118	ROTATOR SPROCKET	1
1-2	290-30-00-128	OUTER ROLLER SLEEVE	1
1-3	290-30-00-114	FILLER PIPE	1
1-4	290-30-00-116	ELBOW MIDDLE PC	2
1-5	290-30-00-115	ELBOW BASE PC	1
1-6	290-30-00-117	ELBOW TOP PC	1
1-7	244-05-43-276	MAIN PIVOT BRKT	2
1-8	244-05-46-301	BRACKET GUSSET	2
1-9	270-63-29-191	UPPER CYLINDER BRKT	1
1-10	275-02-00-119	HYDRAULIC HOSE HOLDER	1
1-12	275-05-00-000	CAP ASSY	1
1-12-1	275-05-00-032	CAP PLATE	1
1-12-2	275-05-00-031	CAP PLUG	1
1-13	R08237	3/16 X 1/2" S.S. ROLL PIN	1
1-14	R08233	1/4 X 5/8" S.S. HEX HEAD CAP SCREW	2
1-15	R07801	1/4" LOCK WASHER	2
2	244-05-46-000	CONE EXTENSION ASSY	1
2-1	244-05-46-284	EXTENSION PIPE	1
2-2	364-19-00-087	DISCHARGE PIPE FLANGE	1
2-3	270-63-29-191	UPPER CYLINDER BRKT	1
2-4	244-05-46-277	INNER PIVOT BRKT	2
2-5	244-05-46-301	BRACKET GUSSET	2
3	244-05-00-281	SPACER PIPE	4
4	R07733	7/16 X 1 1/2" CARRIAGE BOLT	4
5	R07824	7/16" FLAT WASHER	4
6	R08178	7/16" NYLOC HEX NUT	4
7	270-63-00-187	FLEX HOSE	1
8	R02482	6" CLAMP	2
9	244-05-44-000	CRUST BUSTER CONE ASSY	1
9-1	244-05-44-278	CONE (HALF)	2
9-2	364-19-00-087	DISCHARGE PIPE FLANGE	1
9-3	244-05-44-279	CONE EXTENSION	1
10	R07619	3/8 X 1" HEX BOLT	6
11	R07783	3/8" HEX NUT	6
12	R07803	3/8" LOCK WASHER	6
13	R20725	2 X 8" HYDRAULIC CYLINDER	1
14	R02366	6" GASKET	1
15	R20219	1" NYLON BALL	19
16	296-45-00-000	HYDRAULIC HOSE ASSY-LONG (32 FT PUMP)	1
16	297-10-00-000	HYDRAULIC HOSE ASSY-LONG (40 FT PUMP)	0
17	296-46-00-000	HYDRAULIC HOSE ASSY-SHORT (32 FT PUMP)	1
17	297-11-00-000	HYDRAULIC HOSE ASSY-SHORT (40 FT PUMP)	0
18	290-88-00-000	AGITATOR SWIVEL KIT	1
19	R21366	1/2 X 90 STR ELBOW	2
20	R21336	3/8-18 UNC RESTRICTOR	1

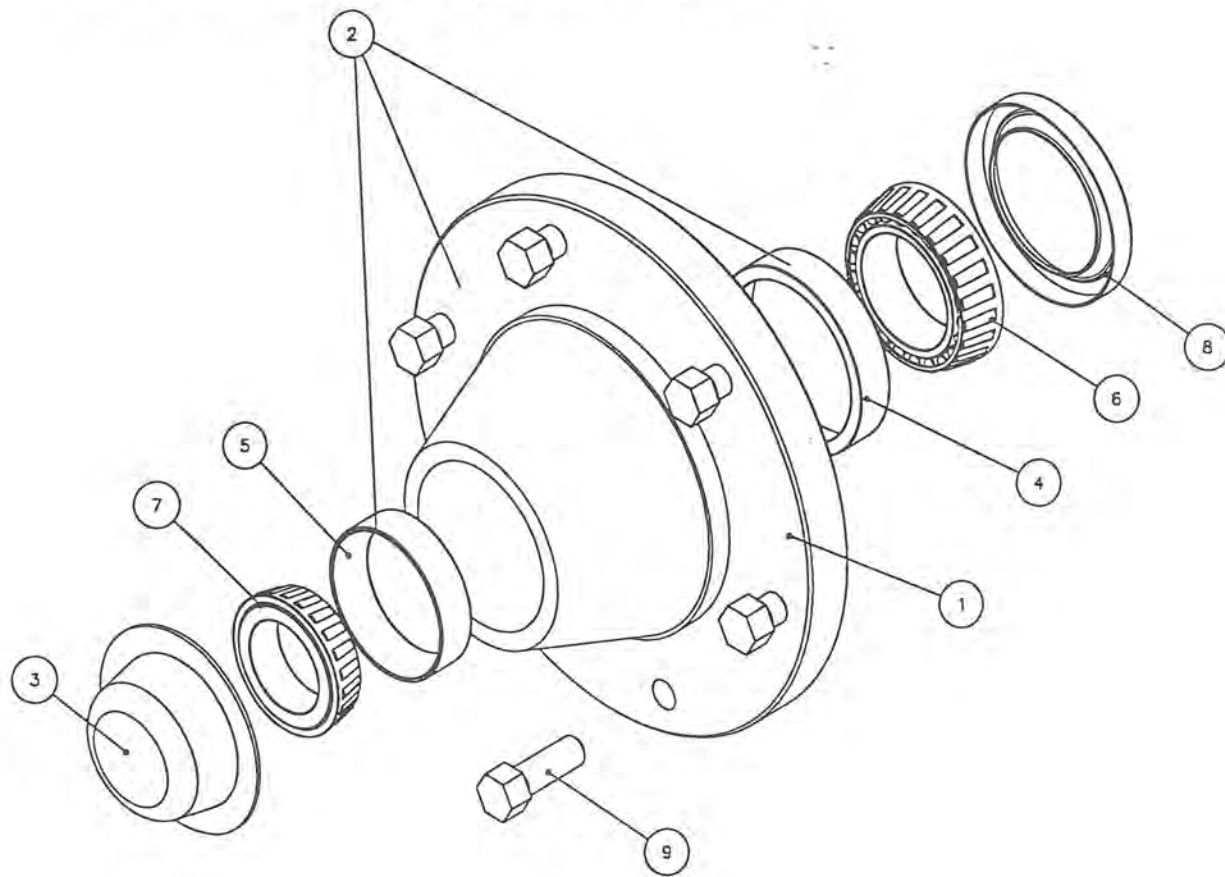


CARRIAGE KIT

CARRIAGE KIT

Item	Name	Description	Qty
1	296-13-00-000	CARRIAGE ASSY	1
1-1	290-11-00-045	CARRIAGE CROSS TUBE	1
1-2	290-56-00-189	SPINDLE SLEEVE	2
1-3	296-13-00-060	CARRIAGE LEG	2
1-4	290-11-00-050	CARRIAGE TUBE END CAP	2
1-5	296-13-00-063	CYLINDER LUG	1
1-6	296-13-00-117	LIFT BRKT	1
1-7	296-13-00-062	CARRIAGE LEG GUSSET	2
1-8	296-13-00-064	CYLINDER LUG GUSSET	2
1-9	296-13-00-127	SPACER TUBE	1
2	290-20-00-000	CARRIAGE TIE BAR ASSY	1
2-1	290-20-00-075	TIE BAR	2
2-2	290-20-00-076	SPACER	2
3	290-39-00-000	TIE BAR PIN ASSY	2
3-1	290-39-00-136	TIE BAR PIN	2
3-2	R07827	3/4" FLAT WASHER	2
3-3	R07925	1/4 X 1 1/2" PLATED RING	2
4	290-00-00-187	ADJUSTABLE SPINDLE	2
5	290-59-00-000	5000 LB 6 BOLT HUB KIT	2
5	290-60-00-000	5500 LB 8 BOLT HUB KIT	0
6	R07948	5/32" HAIR PIN	2
7	R08046	1/2-13 UNC HEX JAM NNUT	4
8	R07923	1/2 X 1 1/2" SQ HEAD SET SCREW	4
9	R20118	SPINDLE WASHER	1
10	R20117	1"-14 UNF SPINDLE NUT	1
11	R08013	3/16 X 2" COTTER PIN	1
12	R22169	4 X 8" HYDRAULIC CYLINDER W/1 3/4" SHAFT	1
13	R02043	1/2 X 3/8" BUSHING	4
14	R21366	1/2 X 90 STR ELBOW	2
15	R21342	MALE PIONEER FITTING	2
16	296-26-00-000	LONG HYDRAULIC HOSE ASSY-CYLINDER TO TRACTOR	1
17	296-27-00-000	SHORT HYDRAULIC HOSE ASSY-CYLINDER TO TRACTOR	1

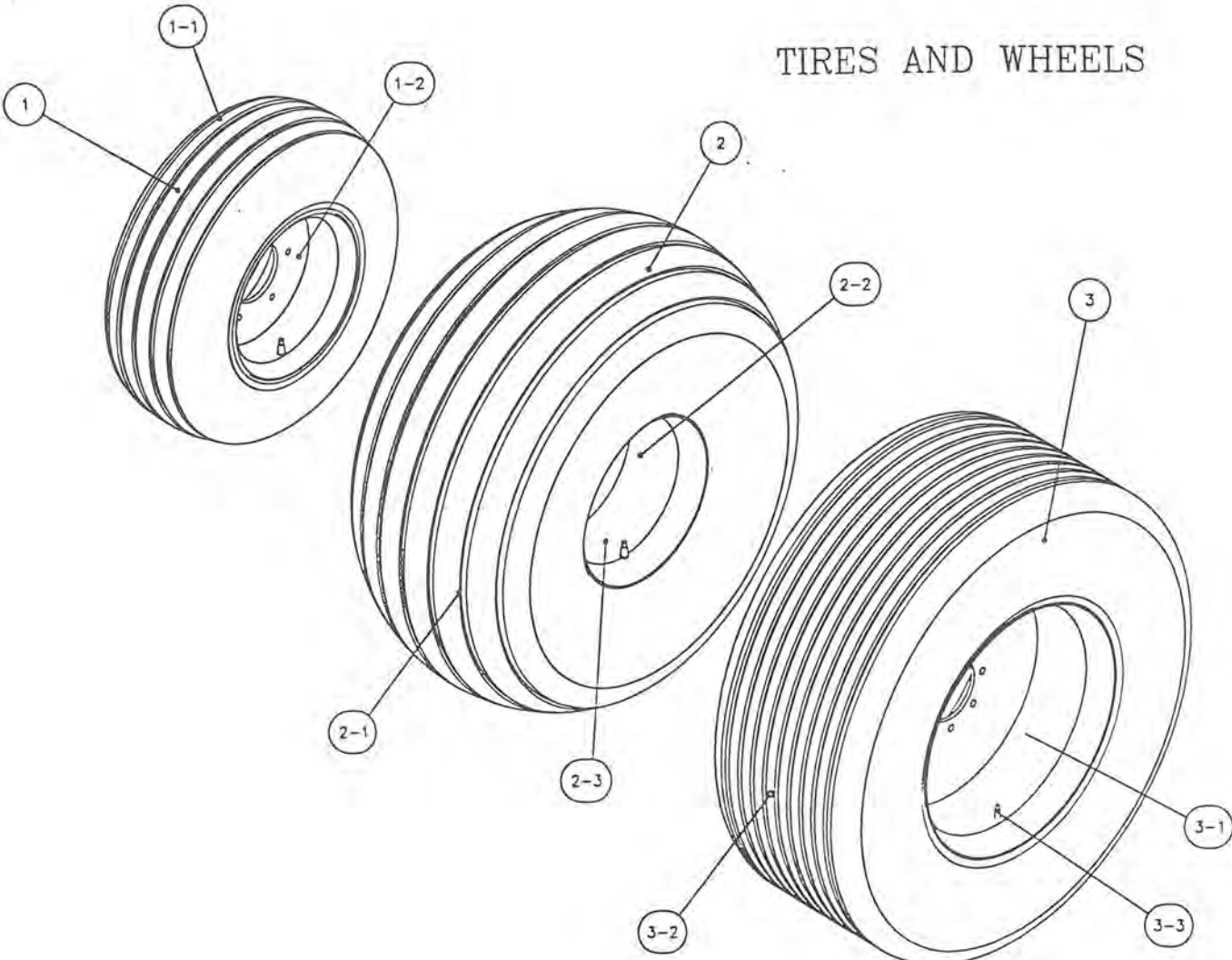
290-59-00-000 5000 LB 6 BOLT HUB COMPLETE
 290-60-00-000 5500 LB 8 BOLT HUB COMPLETE



6 BOLT AND 8 BOLT HUBS COMPLETE

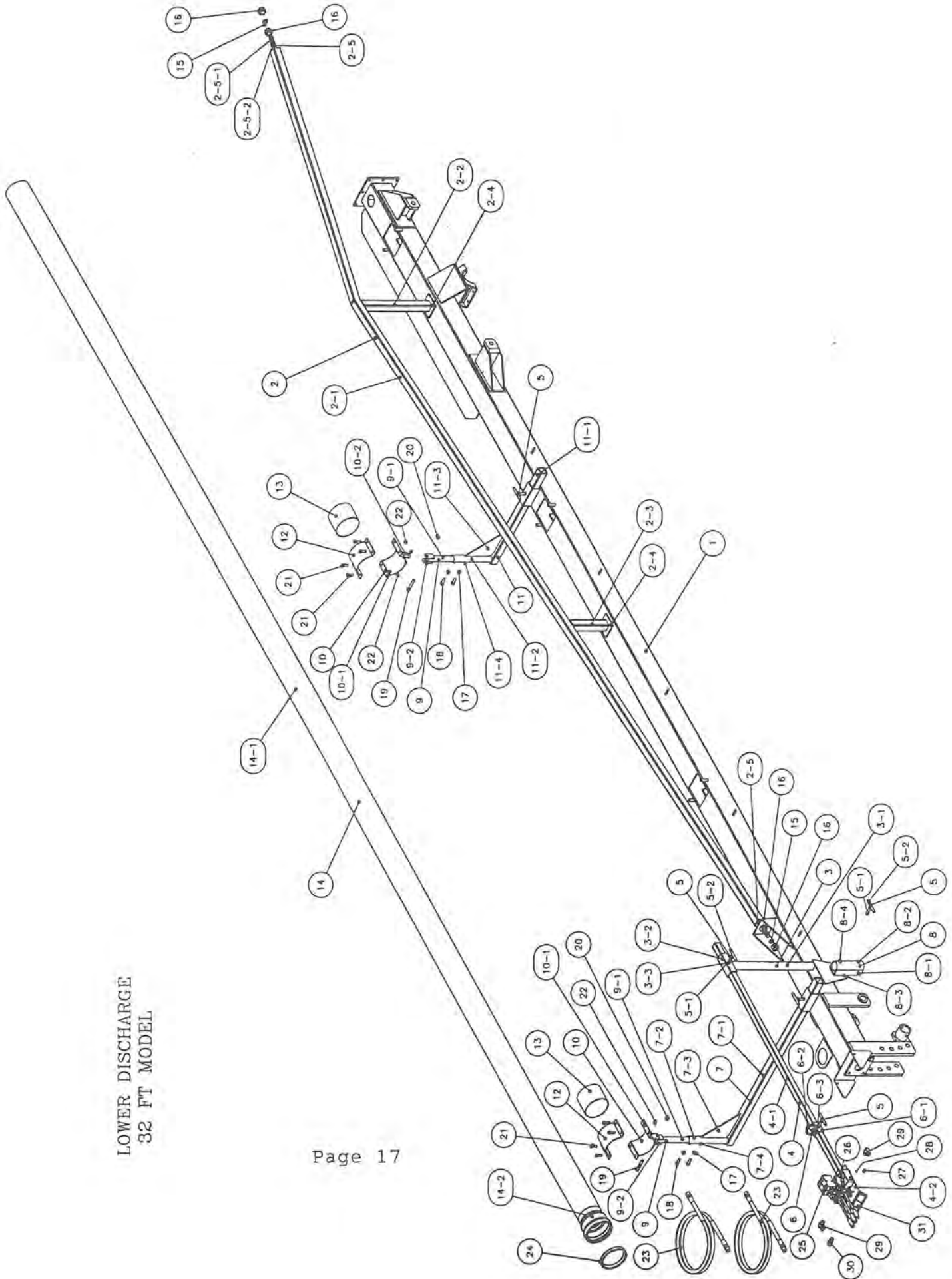
Item	Name	Description	Qty
1	R22054	5000 LB 6 BOLT HUB ONLY	1
1	R22056	5500 LB 8 BOLT HUB ONLY	0
2	R22055	5000 LB 6 BOLT HUB W/CUPS	1
2	R22057	5500 LB 8 BOLT HUB W/CUPS	0
3	R22062	D5000 DUST CAP	1
4	R22058	INNER CUP LM603011	1
5	R22060	OUTER CUP LM 48510	1
6	R22059	INNER CONE LM 603049	1
7	R22061	OUTER CONE LM 48548	1
8	R22063	SEAL CR 20044	1
9	R20110	9/16-18 UNF WHEEL BOLT	6

TIRES AND WHEELS



TIRES AND WHEELS			
Item	Name	Description	Qty
1	290-31-00-000	11L X 15 TIRE AND WHEEL ASSY	1
1-1	R20043	11L X 15RIB IMPLEMENT TIRE	1
1-2	R20045	15 X 8 X 6 BOLT WHEEL	1
1-3	R20044	11L X 15/16 TUBE	1
2	325-64-00-000	21.5 X 16.1 TIRE AND WHEEL ASSY-8 BOLT-10 PLY	1
2-1	R20005	21.5 X 16.1 10 PLY RIB IMPLEMENT TIRE	1
2-2	R20074	16.1 X 18.1 8 BOLT WHEEL-0 OFFSET FOR 21.5 TIRE	1
2-3	R20020	VALVE STEM	1
3	340-55-00-000	18 X 22.5 TRUCK TIRE & WHEEL ASSY 8 BOLT	1
3-2	R20011	18 X 22.5 USED TRUCK TIRE	1
3-3	R20032	TUBE FOR 18 X 22.5 TIRE	1
3-1	R20058	13.5 X 22.5 8 BOLT WHEEL	1

LOWER DISCHARGE
32 FT MODEL



LOWER DISCHARGE

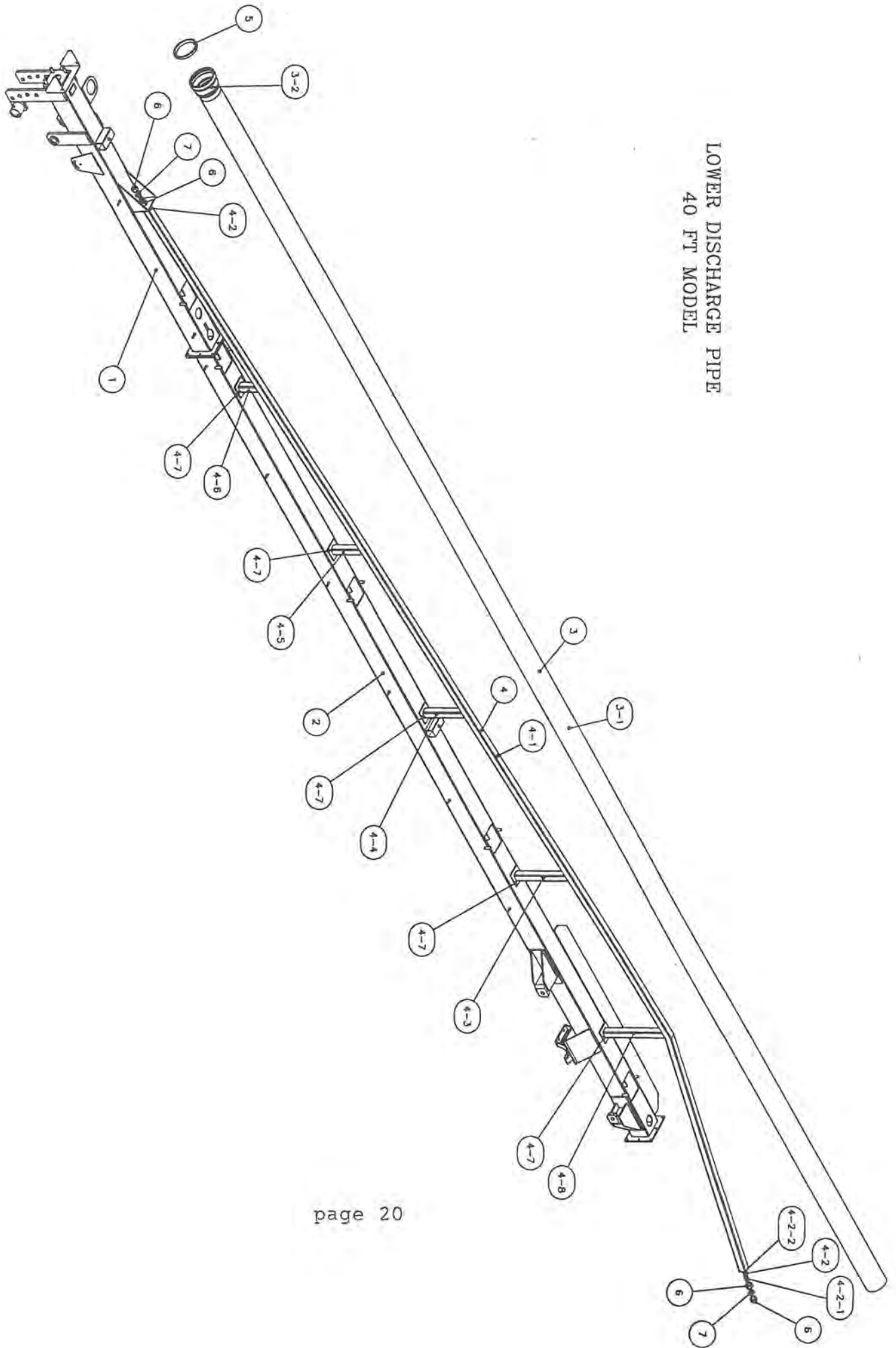
Item	Name	Description	Qty
1	296-01-00-000	UPPER DRIVE SHAFT TUBE ASSY	1
2	296-14-00-000	REINFORCING BAR ASSY-32 FT PUMP	1
2-1	296-14-00-065	REINFORCING BAR	1
2-2	296-14-00-066	LONG UPRIGHT BAR	1
2-3	296-14-00-067	SHORT UPRIGHT BAR	1
2-4	296-14-00-068	UPRIGHT BASE PLATE	2
2-5	296-14-01-000	LUG ASSY	2
2-5-1	296-14-01-069	LUG REDDI THREAD	2
2-5-2	296-14-01-070	LUG PLATE	2
3	296-23-00-000	CONTROL BANK HOLDER ADJUSTMENT ASSY	1
3-1	296-23-00-085	ADJUSTABLE VERTICAL BAR	1
3-2	296-23-00-086	ADJUSTMENT SLEEVE	1
3-3	R07795	1/2" FLANGE HEX NUT	1
4	296-24-00-000	CONTROL BANK HOLDER ASSY	1
4-1	296-24-00-087	CONTROL HOLDER ARM	1
4-2	296-24-00-088	CONTROL VALVE PLATE	1
5	296-22-00-000	TEE HANDLE ASSY	5
5-1	R07639	1/2 X 2" HEX BOLT	5
5-2	296-22-00-084	TEE HANDLE	5
6	296-25-00-000	ADJUSTABLE HYDRAULIC HOSE HOLDER ASSY	1
6-1	296-25-00-089	HOSE HOLDER SLEEVE	1
6-2	296-25-00-090	HYDRAULIC HOSE HOLDER	1
6-3	R07795	1/2" FLANGE HEX NUT	1
7	296-17-00-000	LONG DISCHARGE PIPE HOLDER ASSY	1
7-1	296-17-00-075	CROSS ARM LONG	1
7-2	296-17-00-076	VERTICAL ARM	1
7-3	296-17-00-077	GUSSET	1
7-4	R07795	1/2" FLANGE NUT	2
8	296-21-00-000	PIVOT ASSY	1
8-1	296-21-00-082	PIVOT CHANNEL	1
8-2	296-21-00-083	PIVOT TUBE	1
8-3	R07674	1/2 X 1 1/4" HEX BOLT	2
8-4	R07795	1/2" HEX FLANGE NUT	1
9	296-19-00-000	ADJUSTMENT BAR ASSY	2
9-1	296-19-00-079	ADJUSTMENT BAR	2
9-2	296-19-00-080	ADJUSTMENT BAR BRKTS	4
10	296-20-00-000	PIPE SADDLE ASSY	2
10-1	296-20-00-081	SADDLE PLATE	2
10-2	296-19-00-080	ADJUSTMENT BAR BRKTS	4
11	296-18-00-000	SHORT DISCHARGE PIPE HOLDER ASSY	1
11-1	296-18-00-078	CROSS ARM-SHORT	1
11-2	296-17-00-076	VERTICAL ARM	1
11-3	296-17-00-077	GUSSET	1
11-4	R07795	1/2" FLANGE NUT	2
12	296-20-00-081	SADDLE PLATE	2
13	296-00-00-103	PIPE CUSHION	2
14	296-15-00-000	LOWER ALUMINUM DISCHARGE PIPE ASSY-32 FT PUMP	1

Item	Name	Description	Qty
14-1	296-15-00-072	LOWER ALUMINUM DISCHARGE PIPE	1
14-2	R02502	6" ALUMINUM CIRCLE LOCK COUPLING	1
15	R07808	1" LOCK WASHER	2
16	R07788	1" HEX NUT	4
17	R07785	1/2" HEX NUT	4
18	R07674	1/2 X 1 1/4" HEX BOLT	4
19	R07641	1/2 X 3" HEX BOLT	2
20	R07885	1/2" -2 WAY LOCK NUT	2
21	R07629	7/16 X 1 1/2" HEX BOLT	8
22	R07879	7/16-14 UNC FL NUT	8
23	290-33-00-000	HYDRAULIC HOSE ASSY	2
24	R02366	6" RAINWAY GASKET	1
25	R22249	3 BANK MONOBLOCK VALVE W/CHECKS	1
26	R07614	5/16 X2 1/2" HEX BOLT	3
27	R07782	5/16" HEX NUT	3
28	R07802	5/16" LOCK WASHER	3
29	R20814	3/4-16 SAE X 1/2" NPT 90 ADAPTOR	2
30	R22252	CLOSED CENTER PLUG	1
31	R09652	CONTROL BANK DECAL	1

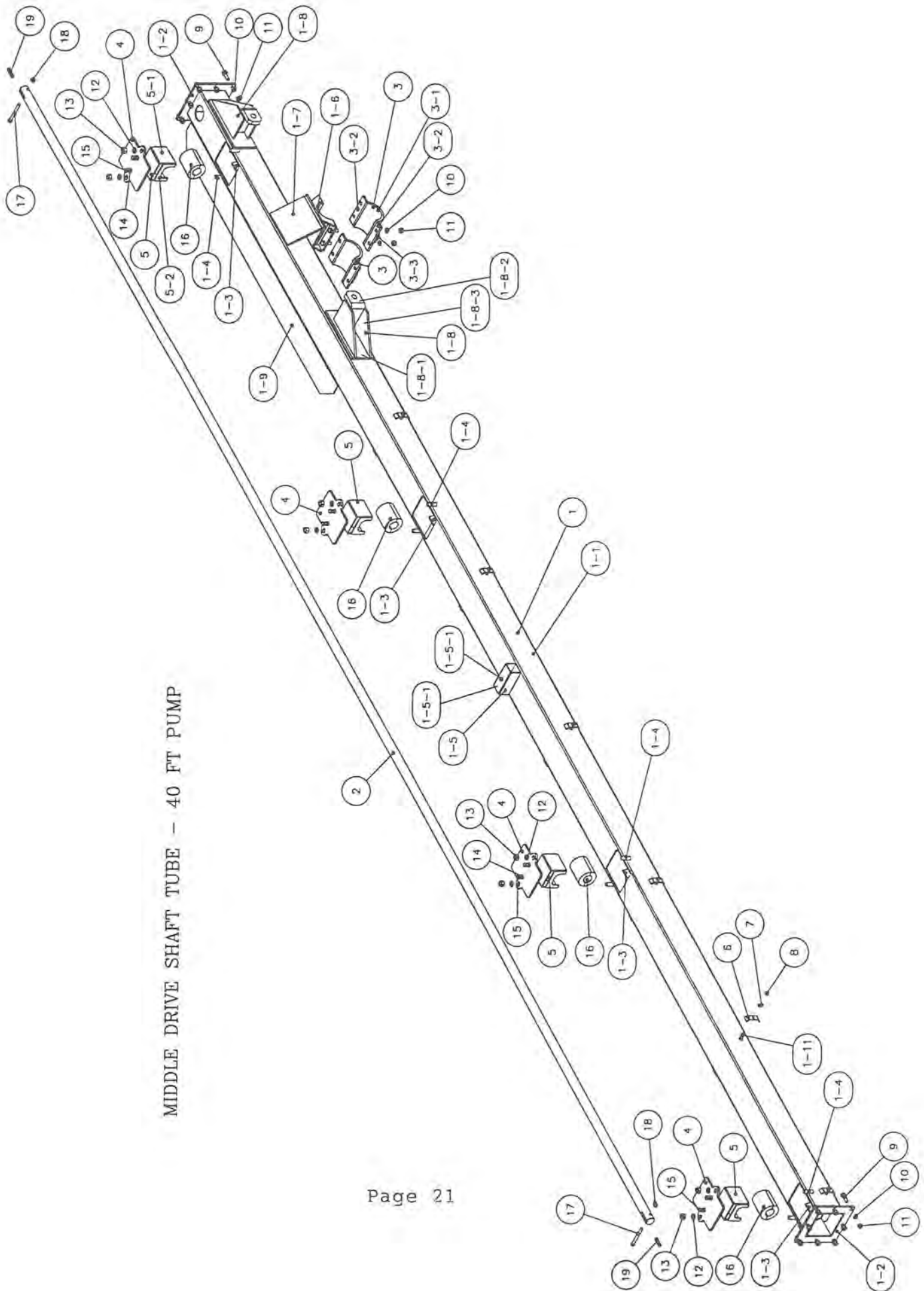
LOWER DISCHARGE - 40 FT

Item	Name	Description	Qty
1	297-01-00-000	UPPER DRIVE SHAFT TUBE ASSY-40 FT PUMP	1
2	297-02-00-000	LOWER DRIVE SHAFT TUBE ASSY-40 FT	1
3	297-05-00-000	LOWER ALUMINUM DISCHARGE PIPE ASSY-40 FT	1
3-1	297-05-00-116	LOWER ALUMINUM DISCHARGE PIPE-40FT PUMP	1
3-2	R02502	6" ALUMINUM CIRCLE LOCK COUPLING	1
4	297-03-00-000	REINFORCING BAR ASSY-40 FT	1
4-1	297-03-00-110	REINFORCING BAR-40 FT	1
4-2	296-14-01-000	LUG ASSY	2
4-2-1	296-14-01-069	LUG REDDI THREAD	2
4-2-2	296-14-01-070	LUG PLATE	2
4-3	297-03-00-111	UPRIGHT BAR #1	1
4-4	297-03-00-112	UPRIGHT BAR #2	1
4-5	297-03-00-113	UPRIGHT BAR #3	1
4-6	297-03-00-114	UPRIGHT BAR #4	1
4-7	296-14-00-068	UPRIGHT BASE PLATE	5
4-8	296-14-00-066	LONG UPRIGHT BAR	1
5	R02366	6" RAINWAY GASKET	1
6	R07788	1" HEX NUT	4
7	R07808	1" LOCK WASHER	2

LOWER DISCHARGE PIPE
40 FT MODEL



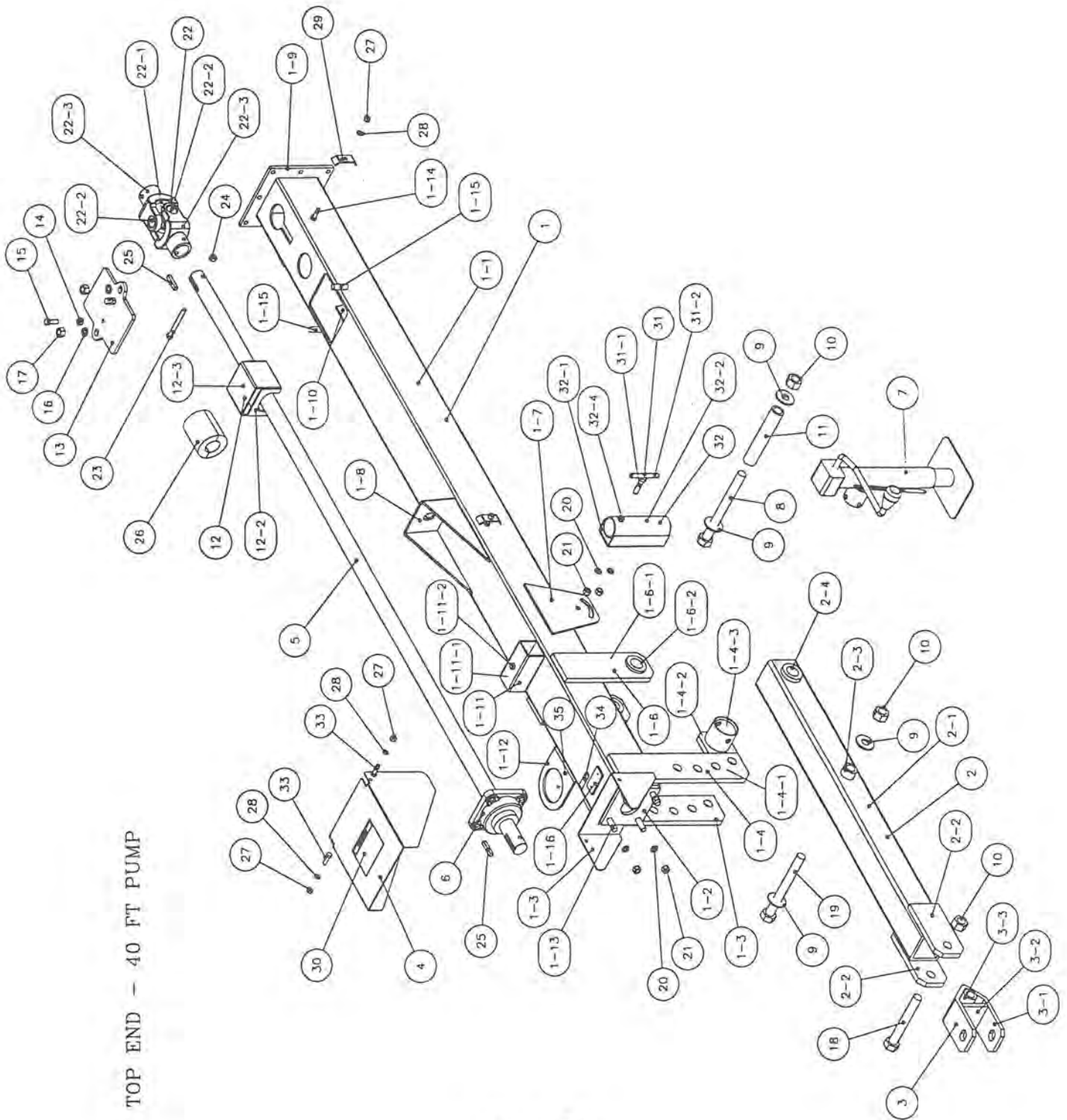
MIDDLE DRIVE SHAFT TUBE - 40 FT PUMP



MIDDLE DRIVE SHAFT TUBE - 40 FT PUMP

Item	Name	Description	Qty
1	297-02-00-000	MIDDLE DRIVE SHAFT TUBE ASSY - 40 FT	1
1-1	297-02-00-109	UPPER DRIVE SHAFT TUBE	1
1-2	296-01-00-015	LOWER FLANGE	2
1-3	296-01-05-000	BEARING BASE ASSY	4
1-4	296-01-00-016	CAP REDDI THREAD	8
1-5	296-01-03-000	DISCHARGE ADJ SLEEVE ASSY	1
1-5-1	296-01-03-012	ADJUSTMENT SLEEVE	1
1-5-2	R07795	1/2" FLANGE NUT	1
1-6	296-01-04-000	CARRIAGE CROSS SUPPORT ASSY	1
1-7	296-01-00-014	CROSS SUPPORT GUSSET	2
1-8	296-01-02-000	CYLINDER BRKT ASSY	2
1-8-1	296-01-02-008	CYLINDER BRKT BACK PLATE	2
1-8-2	296-01-02-009	CYLINDER BRKT	2
1-8-3	296-01-02-010	CYLINDER BRKT GUSSET	4
1-9	296-01-00-104	TUBE REINFORCING PLATE	1
1-10	296-01-00-106	LOWER REINFORCING PLATE	2
1-11	R07675	3/8 X 1 1/4" HEX BOLT	22
2	296-00-00-031	UPPER DRIVE SHAFT	1
3	290-13-00-000	CROSS SUPPORT TOP CLAMP ASSY	2
3-1	290-13-00-056	HALF TUBE W/GREASE HOLE	2
3-2	290-13-00-055	FLANGE	4
3-3	290-13-00-173	CLAMP SUPPORT	4
4	296-00-00-030	TUBE COVER PLATE	4
5	296-05-00-000	UPPER BEARING HOLDER ASSY	4
5-1	296-01-05-017	BEARING HOLDER HALF	4
5-2	296-05-00-028	UPPER RETAINER PLATE	8
5-3	296-05-00-029	UPPER BRG COVER	4
6	290-00-00-167	HYDRAULIC HOSE CLIP	22
7	R07803	3/8" LOCK WASHER	22
8	R07783	3/8" HEX NUT	22
9	R07638	1/2 X 1 1/2" HEX BOLT	24
10	R07805	1/2" LOCK WASHER	24
11	R07785	1/2" HEX NUT	24
12	R07806	5/8" LOCK WASHER	8
13	R07786	5/8" HEX NUT	8
14	R07784	7/16" NYLOC HEX NUT	8
15	R07671	7/16 X 1 1/4" HEX BOLT	8
16	R20236	1 3/4" SPLIT ROUND WOOD BEARING	4
17	R07634	7/16 X 4" HEX BOLT	2
18	R07891	7/16" HEX LOCK NUT	2
19	270-00-00-075	3/8" SQ KEY	2

TOP END - 40 FT PUMP



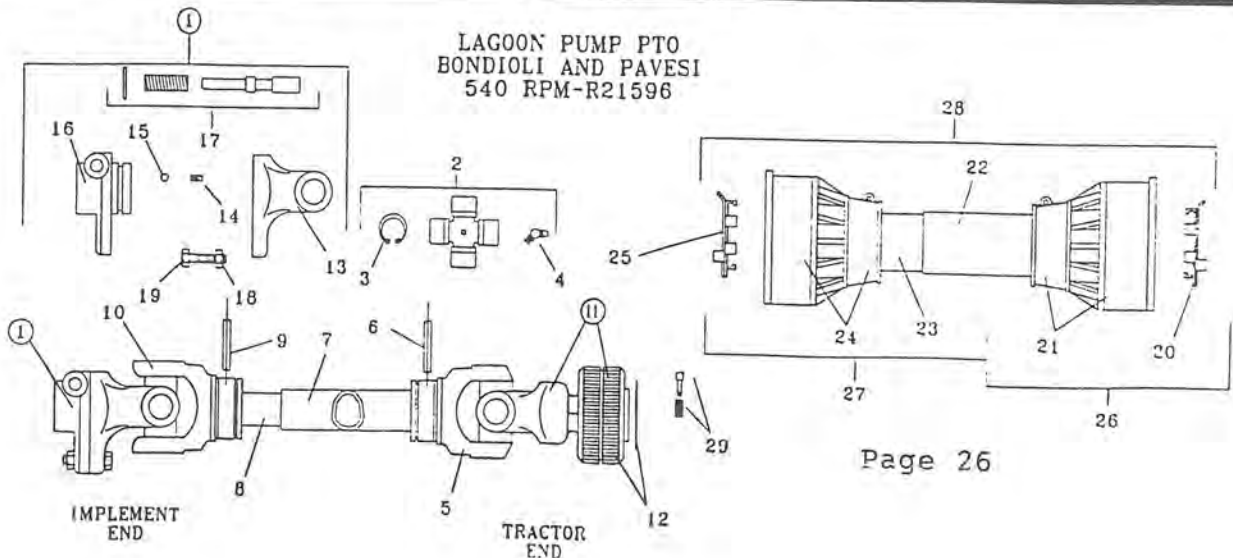
TOP END-40 FT PUMP

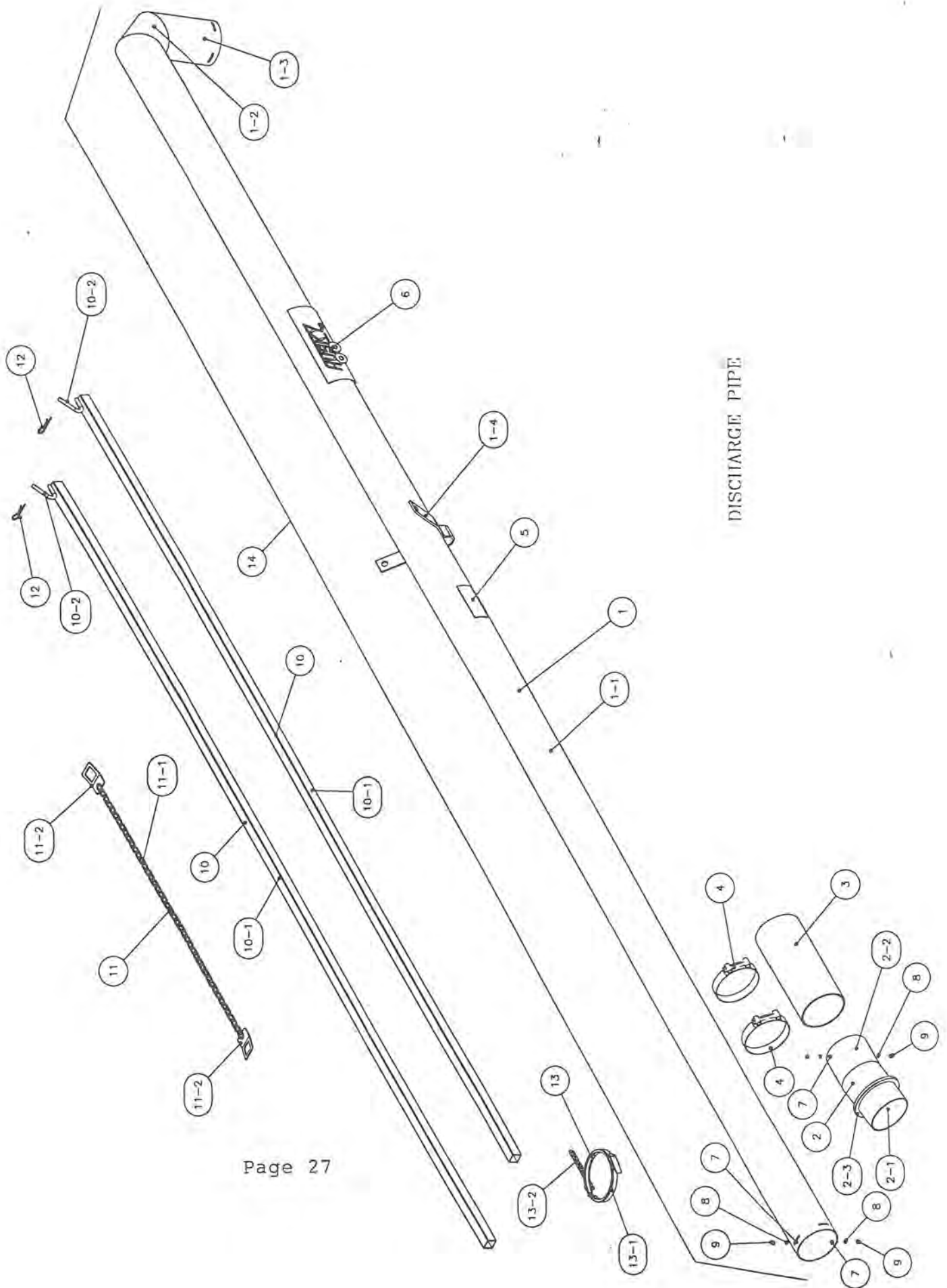
Item	Name	Description	Qty
1	297-01-00-000	UPPER DRIVE SHAFT TUBE ASSY-40 FT PUMP	1
1-1	297-01-00-107	UPPER SHAFT TUBE-40 FT PUMP	1
1-2	296-01-00-002	BEARING FLANGE	1
1-3	296-01-00-003	PTO GUARD MOUNT	1
1-4	296-01-06-000	LH ADJUSTMENT ARM ASSY	1
1-4-1	296-01-00-004	ADJUSTMENT ARMS	1
1-4-2	296-01-06-101	JACK BRKT	1
1-4-3	364-35-00-245	TONGUE JACK BRKT	1
1-5	296-01-00-004	ADJUSTMENT ARMS	1
1-6	296-01-01-000	TONGUE PIVOT ARM ASSY	2
1-6-1	296-01-01-005	PIVOT ARM	2
1-6-2	296-01-01-006	PIVOT ARM BUSHING	2
1-7	296-01-00-007	PIVOT PLATE	1
1-8	296-01-00-011	UPPER REINFORCING ROD BRKT	1
1-9	296-01-00-015	LOWER FLANGE	1
1-10	296-01-05-000	BEARING BASE ASSY	1
1-11	296-01-03-000	DISCHARGE ADJ SLEEVE ASSY	1
1-11-1	296-01-03-012	ADJUSTMENT SLEEVE	1
1-11-2	R07795	1/2" FLANGE NUT	1
1-12	290-32-00-121	PTO HOLDER	1
1-13	R07647	5/8 X 2" HEX BOLT	4
1-14	R07675	3/8 X 1 1/4" HEX BOLT	6
1-15	296-01-00-016	CAP REDDI THREAD	2
1-16	340-01-00-498	SERIAL NUMBER ATTACHMENT PLATE	1
2	296-03-00-000	TONGUE ASSY	1
2-1	296-03-00-021	TONGUE	1
2-2	296-03-00-022	TONGUE PLATE	2
2-3	296-03-00-023	ADJUSTMENT BUSHING	1
2-4	296-03-00-024	TONGUE PIVOT BUSHING	1
3	296-04-00-000	HITCH ASSY	1
3-1	296-04-00-025	HITCH	1
3-2	296-04-00-026	HITCH REINFORCING PLATE	1
3-3	296-04-00-027	HITCH SLEEVE	1
4	296-00-00-033	PTO GUARD	1
5	297-00-00-108	UPPER DRIVE SHAFT-40 FT PUMP	1
6	R20585	HD 1 3/4" FLANGE BEARING	1
7	R09751	7000 LB SIDE WIND JACK	1
8	R08285	1"-8 UNC X 10" LONG HEX BOLT	1
9	R07828	1" FLAT WASHER	4
10	R07882	1" -8 UNC 2 WAY HEX LOCK NUT	3
11	296-00-00-100	PIVOT PIN	1
12	296-05-00-000	UPPER BEARING HOLDER ASSY	1
12-1	296-01-05-017	BEARING HOLDER HALF	1
12-2	296-05-00-028	UPPER RETAINER PLATE	2
12-3	296-05-00-029	UPPER BRG COVER	1
13	296-00-00-030	TUBE COVER PLATE	1
14	R07784	7/16" NYLOC HEX NUT	2

Item	Name	Description	Qty
15	R07671	7/16 X 1 1/4" HEX BOLT	2
16	R07806	5/8" LOCK WASHER	2
17	R07786	5/8" HEX NUT	2
18	R07668	1"-8 UNC X 7" LONG HEX BOLT	1
19	R07859	1"-8 UNC X 9" LONG HEX BOLT	1
20	R07805	1/2" LOCK WASHER	6
21	R07785	1/2" HEX NUT	6
22	270-32-00-000	KNUCKLE ASSY	1
22-1	R22029	JOURNAL AND BEARING KIT	1
22-2	R11114	SNAP RING	4
22-3	R22030	1 3/4" ROUND HOLE YOKE	2
23	R07634	7/16 X 4" HEX BOLT	1
24	R07891	7/16" HEX LOCK NUT	1
25	270-00-00-075	3/8" KEY	2
26	R20236	1 3/4" SPLIT ROUND WOOD BEARING	1
27	R07783	3/8" HEX NUT	8
28	R07803	3/8" LOCK WASHER	8
29	290-00-00-167	HYDRAULIC HOSE CLIP	6
30	R09785	"DANGER" DECAL	1
31	296-22-00-000	TEE HANDLE ASSY	1
31-1	R07639	1/2 X 2" HEX BOLT	1
31-2	296-22-00-084	TEE HANDLE	1
32	296-21-00-000	PIVOT ASSY	1
32-1	296-21-00-082	PIVOT CHANNEL	1
32-2	296-21-00-083	PIVOT TUBE	1
32-3	R07674	1/2 X 1 1/4" HEX BOLT	2
32-4	R07795	1/2" HEX FLANGE NUT	1
33	R07675	3/8 X 1 1/4" HEX BOLT	2
34	R09071	SERIAL NUMBER PLATE	1
35	R08152	#6 X 1/4" PAN HEAD SOCKET SCREW	2

TIGER PUMP-BONDIOLI PTO

Item	Mfg #	Name	Description	Qty
1	606808080	R21642	TORQUE LIM. SB8-540 RPM	1
1	606808105	R21648	TORQUE LIM.SB8-1000 RPM	1
2	41208	R21614	CROSS JOURNAL ASSY	2
3	338023000	R21621	CIRCLIP	8
4	348004000	R21655	GREASE NIPPLE	2
5	204086860	R21620	OUTER TUBE YOKE	1
6	341054000	R21613	FLEXIBLE PIN	1
7	225730473	R21630	CM CARDAN TUBE	1
8	225690473	R21631	CM CARDAN TUBE	1
9	341055000	R21612	FLEXIBLE TUBE	1
10	204086861	R21619	INNER TUBE YOKE	1
11	572083751	R21640	1 3/8-21 TOOTH QD YOKE W/SLEEVES	1
11	572080351	R21641	1 3/8-6 TOOTH QD YOKE W/SLEEVES	1
12	240003551	R21713	R.S. COLLAR KIT	1
13	213080020	R21624	YOKE-540 RPM	0
13	213080053	R22184	YOKE-1000 RPM	1
14	348012000	R21672	5/16" GREASE ZERK	1
15	362006000	R21539	5/16" DIA BALL	24
16	232088851	R21733	HUB 540 RPM	0
16	232088855	R22187	HUB-1000 RPM	1
17	401000028	R21675	PUSH PIN	1
18	M12-1.75 X 65	R21602	M12 X 65 HEX BOLT	1
19	M12-1.75	R21604	M12 NY-LOCK NUT	1
20	255080005	R21609	OUTER BEARING 8-9-10	1
21	517080071	R21610	OUTER CONE SETS N8-9	1
22	236840402	R21633	CM OUTER SAFETY TUBE	1
23	236840402	R21634	CM INNER SAFETY TUBE	1
24	517080061	R21611	INNER CONE SETS N8-9	1
25	255080006	R21608	INNER BEARING 8-9-10	1
26	5NE8066NN	R21635	HALF SAFETY GUARD-OUTER	1
27	5NE8066NN	R21636	HALF SAFETY GUARD-INNER	1
28	5N08066NN	R21637	SAFETY GUARD COMPLETE	1
29	403000001	R21714	PUSH PIN COMPLETE-1 3/8-6 TOOTH	1
29	403000013	R21716	PUSH PIN COMPLETE-1 3/8-21 TOOTH	1





DISCHARGE PIPE

DISCHARGE PIPE

Item	Name	Description	Qty
1	250-55-25-000	DISCHARGE PIPE ASSY-20 FT	1
	250-94-01-000	DISCHARGE PIPE ASSY-25 FT	0
1-1	250-55-25-134	6" DISCHARGE PIPE	1
	250-94-01-294	6" DISCHARGE PIPE FOR 25 FT	0
1-2	250-26-22-097	DISCHARGE ELBOW CENTER PC	1
1-3	250-26-22-098	DISCHARGE ELBOW END PC	1
1-4	250-26-22-099	6" DISCHARGE PIPE HOOK	1
2	296-16-00-000	TOP DISCHARGE ELBOW ASSY	1
2-1	296-16-00-073	TOP DISCHARGE ELBOW BASE PC	1
2-2	296-16-00-074	TOP DISCHARGE ELBOW TOP PC	1
2-3	250-95-00-295	CLAMP RING	1
3	250-00-00-095	FLEX HOSE SECTION	1
4	R02482	6" CLAMP	2
5	R09690	"TIE DOWN" STICKER	1
6	R09502	"HUSKY" DECAL	1
7	R07677	1/4 X 3/4" HEX BOLT	4
8	R07821	1/4" FLAT WASHER	4
9	R07781	1/4" NC HEX NUT	4
10	242-33-00-000	BIPOD LEG ASSY	2
10-1	242-33-00-155	BIPOD LEG	2
10-2	242-33-00-156	LEG HOOK	2
11	242-79-00-000	BIPOD LEG CHAIN ASSY	1
11-1	242-79-00-199	BIPOD LEG CHAIN	1
11-2	242-79-00-198	BIPOD LEG CLIP	2
12	R07948	5/32" HAIR PIN	2
13	250-97-00-000	CLAMP AND CHAIN ASSY	1
13-1	R02487	6" RINGLOCK CLAMP	1
13-2	250-97-00-297	CLAMP CHAIN	1
14	296-37-00-000	20 FT DISCHARGE PIPE KIT	0
14	296-38-00-000	25 FT DISCHARGE PIPE KIT	0

