

Date Purchased \_\_\_\_\_ Machine Serial No. \_\_\_\_\_

Size of Pump \_\_\_\_\_ Options \_\_\_\_\_

The key number system in this parts book is arranged as follows:

- ⊙ - Key numbers with two circles denotes main assemblies.
- - Key numbers with one circle are individual parts

Please order parts by number



## TIGER 6" LAGOON

### HUSKY LIQUID MANURE PUMP

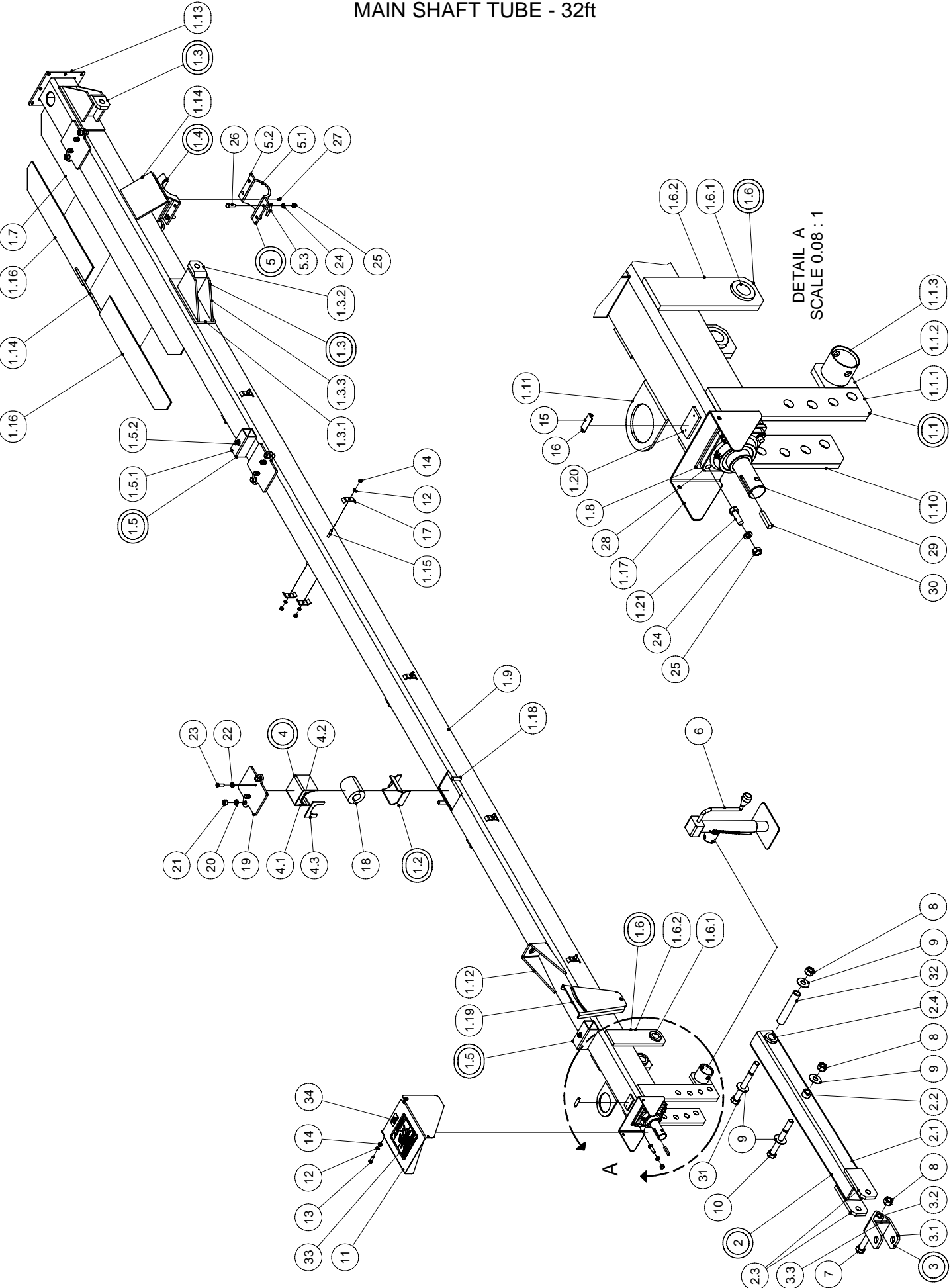
**296-00-00-000 – 32 FT**

**297-00-00-000 – 40 FT**

#### OPERATING INSTRUCTIONS:

1. Lagoon pump is designed to run at 540 RPM and will consume up to 70 HP.
2. Always check PTO that both knuckles have equal amount of bend when working – if not adjust tongue angle accordingly.
3. Do not try and extend wheels if pump is under heavy crust as it may collapse the undercarriage.
4. Before operating the pump, extend stabilizer legs to support the pump while agitating. If not supported, pump could roll over while agitating.
5. Make sure discharge pipe is securely fastened to pump prior to pumping.
6. Do not over rev. tractor while pumping as discharge spout will lift into air. Always tie down discharge pipe.
7. Always remove pump from pit and wash off thoroughly after each use.
8. **EXTREME DANGER** – Never enter a dirty manure spreader or storage tank – one breath of hydrogen sulphide gas is enough to kill. Have a ladder in your pit, so that if by accident you should fall in, you can get out.
9. For open centre hydraulic tractors, use short plug on right hand end of hydraulic valve. For closed centre hydraulics use long plug with O ring. (Oil must flow in left hand end of valve).

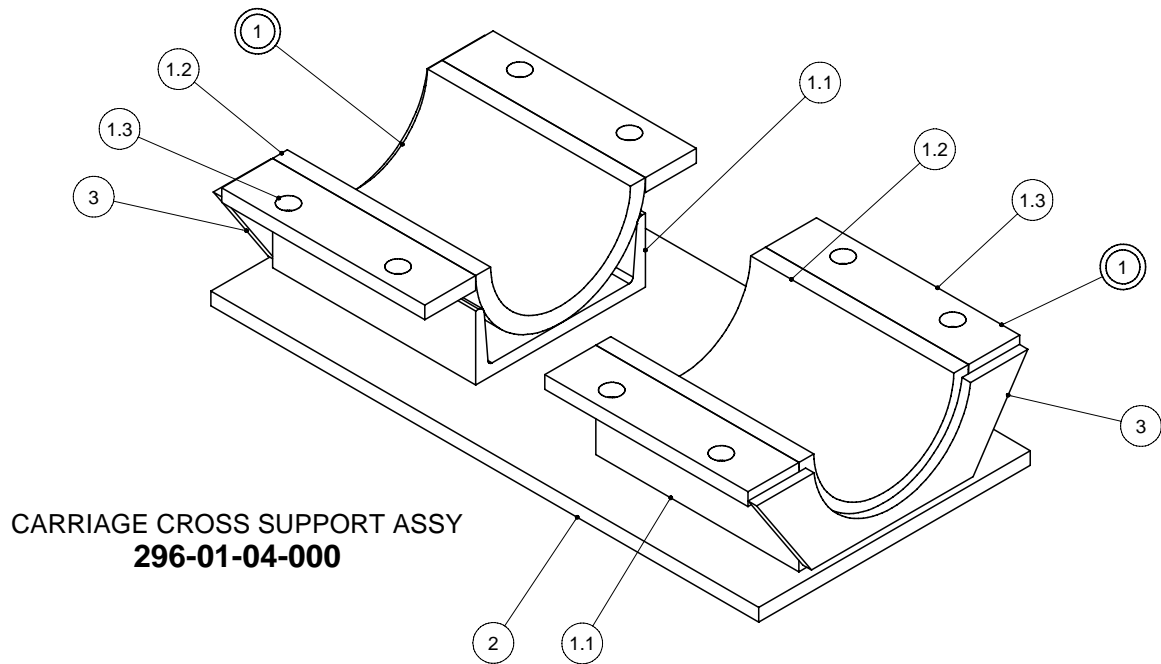
MAIN SHAFT TUBE - 32ft



## MAIN SHAFT TUBE - 32ft

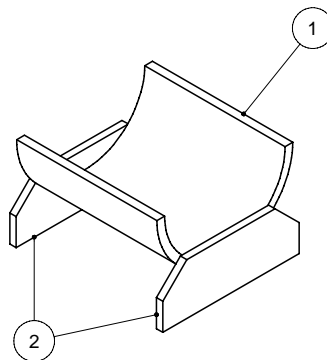
PARTS LIST				PARTS LIST			
ITEM	PART NUMBER	DESCRIPTION	QTY	ITEM	PART NUMBER	DESCRIPTION	QTY
1	296-01-00-000	UPPER DRIVE SHAFT TUBE ASSY	1	3.2	296-04-00-027	HITCH SLEEVE	1
1.1	296-01-06-000	LH ADJUSTMENT ARM ASSY	1	3.3	296-04-00-026	HITCH REINFORCING PLATE	1
1.1.1	296-01-00-004	ADJUSTMENT ARMS	1	4	296-05-00-000	UPPER BRG HOLDER ASSY	3
1.1.2	296-01-06-101	JACK BRKT	1	4.1	296-05-00-029	UPPER BRG COVER	1
1.1.3	364-35-00-245	TONGUE JACK BRKT	1	4.2	296-01-05-017	BEARING HOLDER HALF	1
1.2	296-01-05-000	BEARING BASE ASSY	3	4.3	296-05-00-028	UPPER RETAINER PLATE	2
1.3	296-01-02-000	CYLINDER BRKT ASSY	2	5	290-13-00-000	CROSS SUPPORT TOP CLAMP ASSY	2
1.3.1	296-01-02-008	CYLINDER BRKT BACK PLATE	1	5.1	290-13-00-056	HALF TUBE w/ GREASE FTG HOLE	1
1.3.2	296-01-02-009	CYLINDER BRKT	1	5.2	290-13-00-055	FLANGE	2
1.3.3	296-01-02-010	CYLINDER BRKT GUSSET	2	5.3	290-13-00-173	CLAMP SUPPORT	2
1.4	296-01-04-000	CARRIAGE CROSS SUPPORT ASSY	1	6	R09751	7000LB SIDE WIND JACK	1
1.5	296-01-03-000	DISCHARGE ADJUSTMENT SLEEVE ASSY	2	7	R07668	1" - 8 UNC x 7" LONG HEX BOLT	1
				8	R07882	1" - 2 WAY LOCK NUT	3
1.5.1	296-01-03-012	ADJUSTMENT SLEEVE	1	9	R07828	1" FLAT WASHER	4
1.5.2	R07795	1/2" UNC FLANGE NUT	1	10	R07859	1" - 8 UNC x 9" LONG HEX BOLT	1
1.6	296-01-01-000	TONGUE PIVOT ARM ASSY	2	11	296-00-00-033	PTO GUARD	1
1.6.1	296-01-01-006	PIVOT ARM BUSHING	1	12	R07803	3/8 LOCK WASHER	17
1.6.2	296-01-01-005	PIVOT ARM	1	13	R07675	3/8 x 1 1/4" HEX BOLT	2
1.7	296-01-00-104	TUBE REINFORCING PLATE	1	14	R07783	3/8 HEX NUT	17
1.8	296-01-00-002	BEARING FLANGE	1	15	R09071	SERIAL NUMBER PLATE	1
1.9	296-01-00-001	UPPER DRIVE SHAFT TUBE	1	16	R08152	6 x 1/4 PAN HD SOCKET SCREW	2
1.10	296-01-00-004	ADJUSTMENT ARMS	1	17	290-00-00-167	HYDRAULIC HOSE CLIP	15
1.11	290-32-00-121	PTO HOLDER	1	18	R20236	1 3/4" SPLIT BEARING	3
1.12	296-01-00-011	UPPER REINFORCING ROD BRKT	1	19	296-00-00-030	TUBE COVER PLATE	3
1.13	296-01-00-015	LOWER FLANGE	1	20	R07806	5/8 LOCK WASHER	6
1.14	296-01-00-014	CROSS SUPPORT GUSSET	2	21	R07786	5/8 HEX NUT	6
1.15	R08302	3/8-16 UNC x 1 5/8" WELD STUD	19	22	R07784	7/16 HEX NUT	6
1.16	296-01-00-106	LOWER REINFORCING PLATE	2	23	R07671	7/16 x 1 1/4 HEX BOLT	6
1.17	296-01-00-003	PTO GUARD MOUNT	1	24	R07805	1/2 LOCK WASHER	12
1.18	296-01-00-016	CAP REDDI THREAD	6	25	R07785	1/2 HEX NUT	12
1.19	296-01-00-131	PIVOT PLATE	1	26	R07638	1/2 x 1 1/2 HEX BOLT	8
1.20	340-01-00-498	SERIAL NO. BACK PLATE	1	27	R08183	1/4" - 28 STRAIGHT GREASE FITTING	2
1.21	R07638	1/2 x 1 1/2 HEX BOLT	4	28	R20585	1 3/4" - 4 BOLT FLANGE BEARING	1
2	296-03-00-000	TONGUE ASSY	1	29	296-00-00-031	UPPER DRIVE SHAFT	1
2.1	296-03-00-021	TONGUE TUBE	1	30	270-00-00-075	3/8 KEY - 50mm LONG	1
2.2	296-03-00-023	ADJUSTMENT BUSHING	1	31	R08285	1"-8 UNC x 10" LONG HEX BOLT	1
2.3	296-03-00-022	TONGUE PLATE	2	32	296-00-00-100	PIVOT PIN	1
2.4	296-03-00-024	TONGUE PIVOT BUSHING	1	33	R09785	"DANGER ROTATING DRIVELINE"	1
3	296-04-00-000	HITCH ASSY	1			DECAL	
3.1	296-04-00-025	HITCH	1	34	R09582	GREASE SYMBOL DECAL	1

## CARRIAGE CROSS SUPPORT & BEARING HOLDER



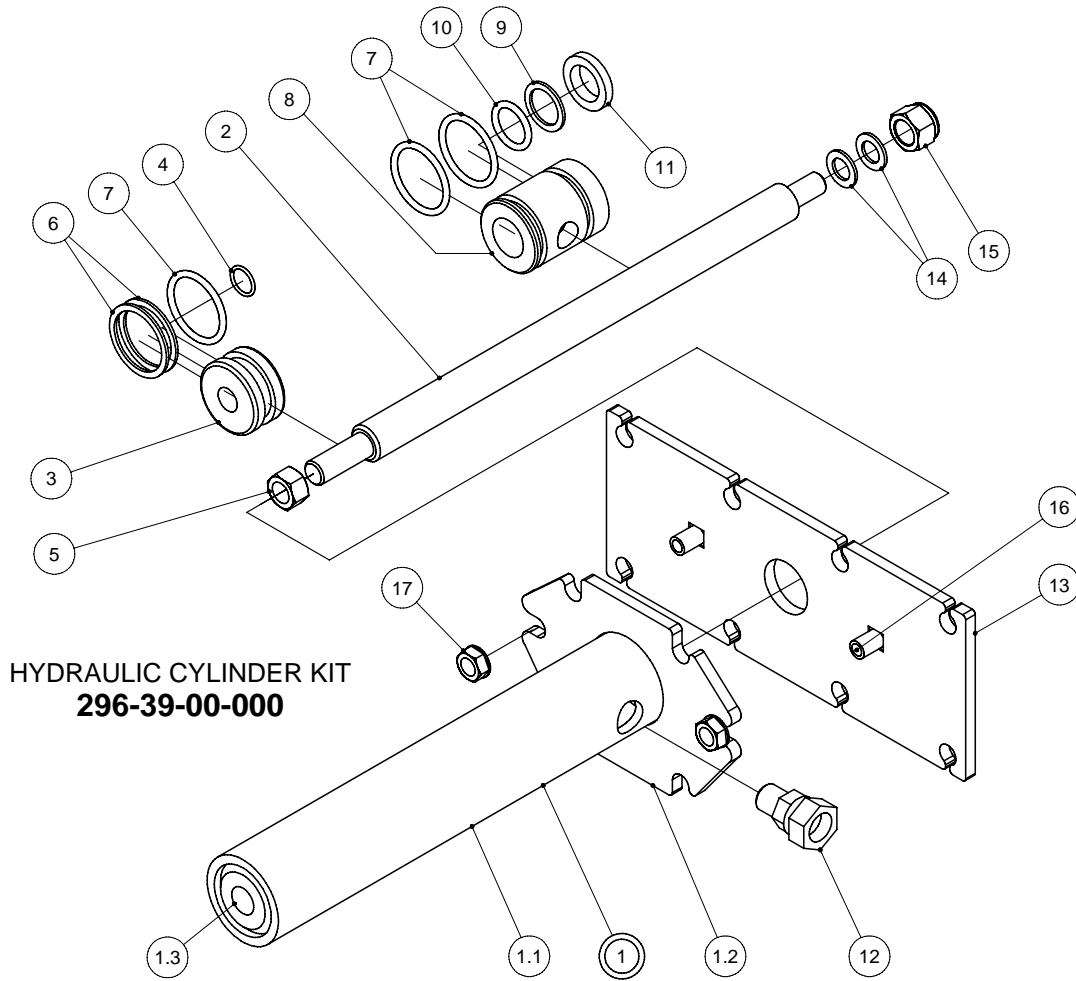
PARTS LIST			
ITEM	PART NUMBER	DESCRIPTION	QTY
1	290-12-01-000	SADDLE ASSY	2
1.1	290-12-01-053	CROSS SUPPORT CHANNEL	1
1.2	290-12-01-054	CROSS SUPPORT HALF TUBE	1
1.3	290-13-00-055	FLANGE	2
2	296-01-04-013	CROSS SUPPORT PLATE	1
3	290-12-00-172	CROSS SUPPORT REIN. PLATE	2

**BEARING BASE ASSY**  
**296-01-05-000**



PARTS LIST			
ITEM	PART NUMBER	DESCRIPTION	QTY
1	296-01-05-017	BEARING HOLDER HALF	1
2	296-01-05-018	LOWER STAND	2

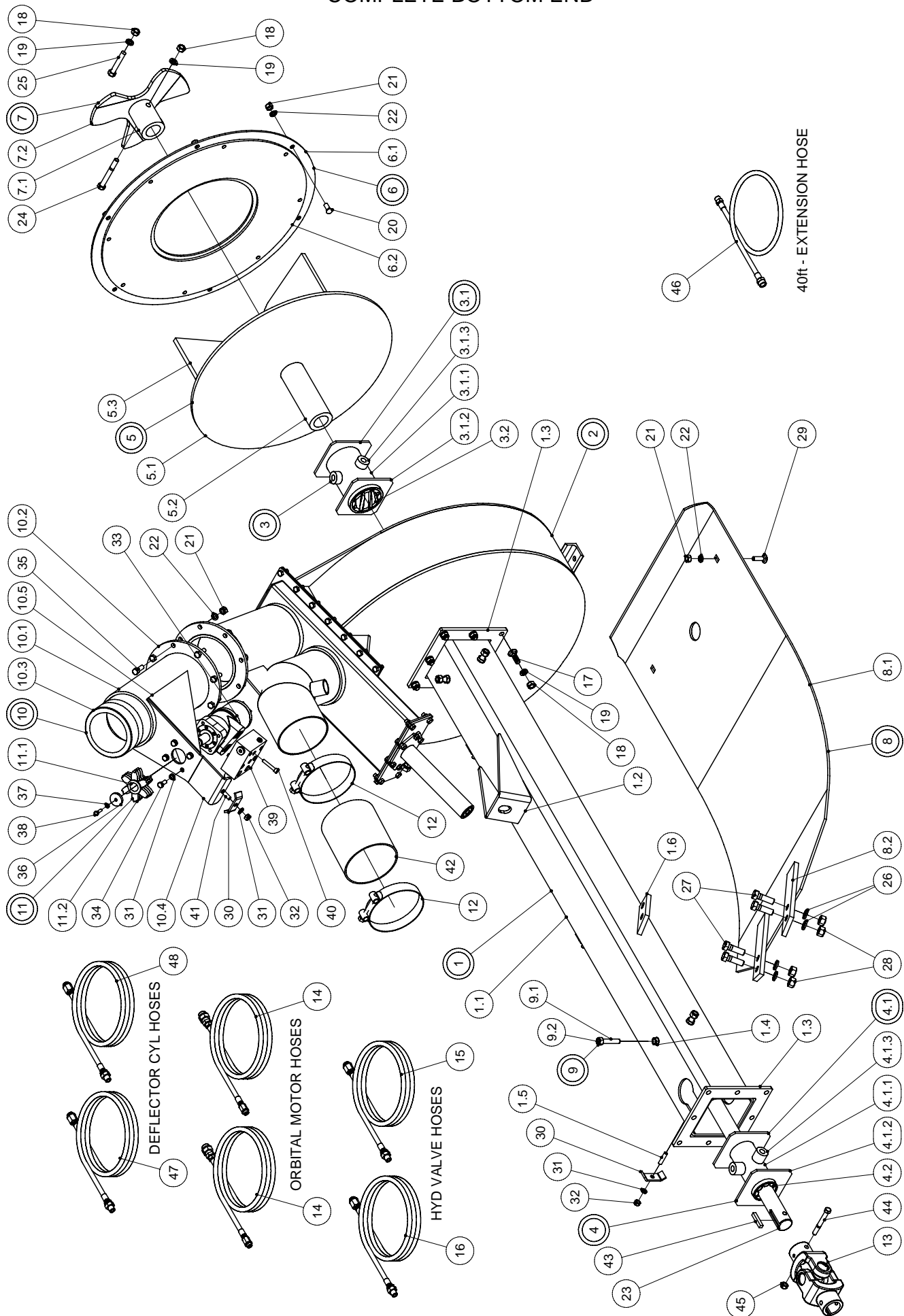
## HYDRAULIC CYLINDER KIT



**HYDRAULIC CYLINDER KIT  
296-39-00-000**

PARTS LIST			
ITEM	PART NUMBER	DESCRIPTION	QTY
1	296-39-01-000	HYD CYLINDER AND FLANGE ASSY	1
1.1	296-39-01-121	HYDRAULIC CYL TUBE	1
1.2	296-39-01-122	HYDRAULIC CYL TUBE FLANGE	1
1.3	340-36-18-431	END CAP	1
2	296-00-00-045	HYDRAULIC CYLINDER SHAFT	1
3	340-36-00-435	CYLINDER PLUNGER	1
4	R20865	O-RING #11-014	1
5	R08228	7/16 S.S. NYLOCK NUT	1
6	R20867	BACKUP RING #8-218	2
7	R20866	O-RING #11-218	3
8	340-36-00-434	WIPER BLOCK	1
9	R20862	3/4" BACKUP #210	1
10	R20771	O-RING #11-210	1
11	R20774	3/4" HYTREL ROD WIPER 52-750	1
12	R21287	1/4M x 3/8 SWIVEL ADAPTER	1
13	296-39-00-123	CYLINDER FLANGE	1
14	R08221	7/16 SS FLAT WASHER	2
15	R08229	1/2" S.S. NYLOC HEX NUT	1
16	R07776	3/8" x 3/4" CARRIAGE BOLT	2
17	R07794	3/8 FLANGE NUT	2

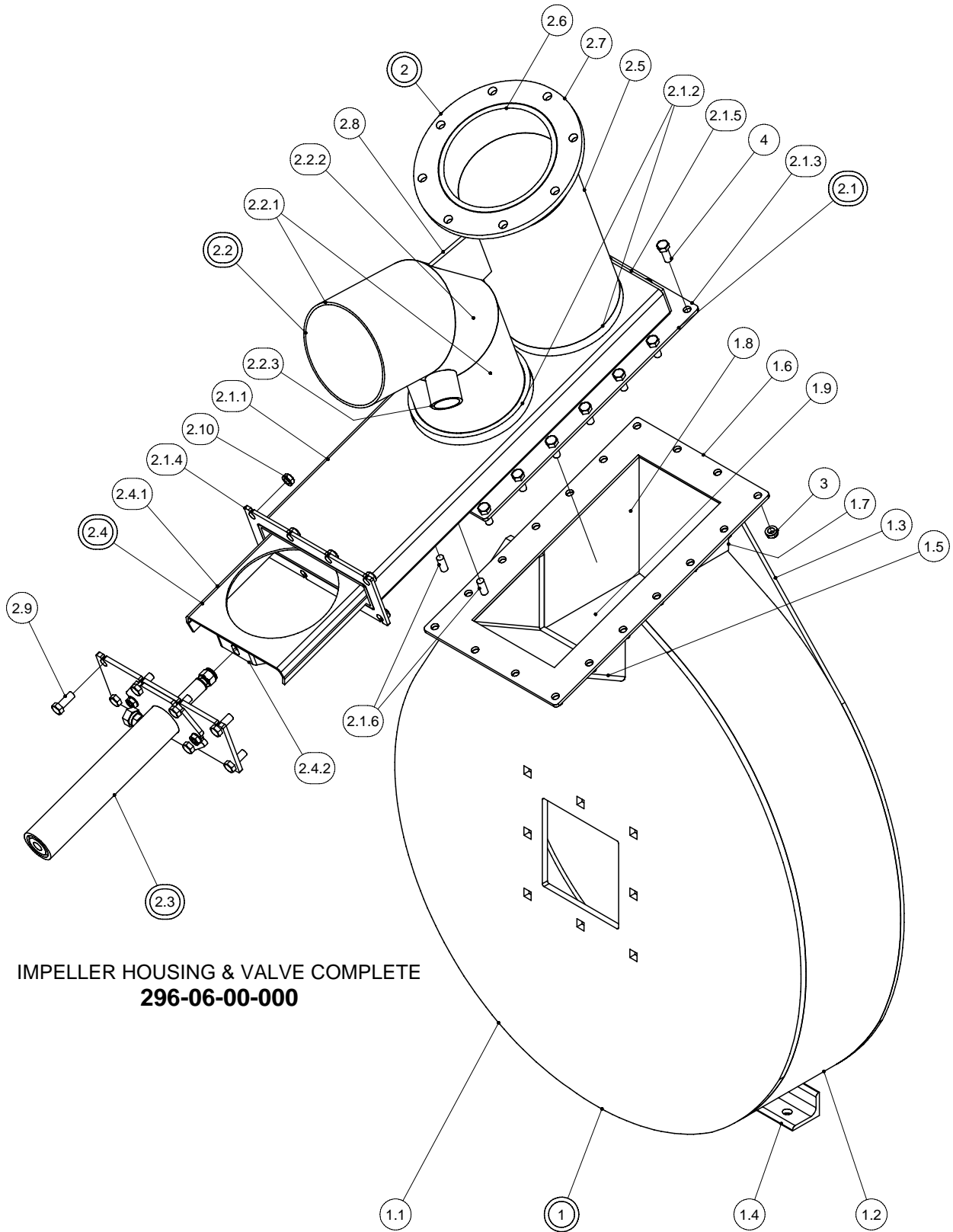
# COMPLETE BOTTOM END



## COMPLETE BOTTOM END

PARTS LIST				PARTS LIST			
ITEM	PART NUMBER	DESCRIPTION	QTY	ITEM	PART NUMBER	DESCRIPTION	QTY
1	296-02-00-000	LOWER DRIVE SHAFT TUBE ASSY	1	11.2	290-25-00-096	6 TOOTH SPROCKET	3
1.1	296-02-00-019	LOWER DRIVE SHAFT TUBE	1	12	R02482	6" HOSE CLAMP	2
1.2	296-02-00-020	LOWER REINFORCING ROD BRKT	1	13	270-32-00-000	KNUCKLE ASSY	1
1.3	296-01-00-015	LOWER FLANGE	2	14	296-42-00-000	1/4" HYD HOSE ASSY - CONTROL TO TURN MOTOR	2
1.4	R08304	1/2 S.S. FLANGE NUT	4				
1.5	R08302	3/8-16 UNC x 1 5/8" WELD STUD	6	15	296-43-00-000	1/4" HYD HOSE ASSY - CONTROL TO HYD VALVE	1
1.6	270-01-00-236	SLIDE ARM BRKT	2				
2	296-06-00-000	IMPELLER HOUSING & VALVE COMPLETE	1	16	296-44-00-000	1/4" HYD HOSE ASSY - CONTROL TO HYD VALVE - SHORT	1
3	296-09-00-000	2 3/4" MARINE BRG & HOLDER COMPLETE	1				
3.1	296-09-01-000	2 3/4" BEARING HOLDER ASSY	1	17	R07743	1/2 x 1 1/2 CARRAGE BOLT	8
3.1.1	244-13-01-320	HOLDER TUBE	1	18	R07785	1/2 HEX NUT	10
3.1.2	296-09-01-052	LARGE MARINE BEARING HOLDER FLANGE	2	19	R07805	1/2 LOCK WASHER	10
3.1.3	244-13-01-322	SET SCREW SEAT	2	20	R07731	7/16 x 1 CARRIAGE BOLT	6
3.2	R20224	H5000 2 3/4" URETHENE FOR BRG	1	21	R07784	7/16 HEX NUT	16
4	296-08-00-000	MARINE BRG & HOLDER COMPLETE	1	22	R07804	7/16 LOCK WASHER	16
4.1	296-08-01-000	MARINE BEARING HOLDER ASSY	1	23	296-00-00-032	LOWER DRIVE SHAFT	1
4.1.1	250-76-34-180	URETHANE BRG SLEEVE	1	24	R07643	1/2 x 4 HEX BOLT	1
4.1.2	296-08-01-051	1 3/4" MARINE BEARING FLANGE	2	25	R07641	1/2 x 3 HEX BOLT	1
4.1.3	242-22-27-236	SET SCREW SLEEVE	2	26	R07806	5/8 LOCK WASHER	4
4.2	R20280	URETHANE	1	27	R07647	5/8 x 2" HEX BOLT	4
5	296-11-00-000	IMPELLER ASSY	1	28	R07786	5/8 HEX NUT	4
5.1	296-11-00-055	IMPELLER BACK PLATE	1	29	R07733	7/16 x 1 1/2" CARRIAGE BOLT	2
5.2	244-18-00-331	IMPELLER SLEEVE	1	30	290-00-00-167	HYDRAULIC HOSE CLIP	7
5.3	296-11-00-056	IMPELLER BLADE	4	31	R07803	3/8 LOCK WASHER	11
6	296-10-00-000	COVER PLATE ASSY	1	32	R07783	3/8 HEX NUT	7
6.1	296-10-00-053	COVER PLATE	1	33	R22255	M&S HYDRAULIC MOTOR	1
6.2	296-10-00-054	COVER PLATE SUPPORT	1	34	R07670	3/8 x 7/8 HEX BOLT	4
7	296-12-00-000	CHOPPER ASSY	1	35	R07671	7/16 x 1 1/4 HEX BOLT	8
7.1	296-12-00-058	CHOPPER HUB	1	36	290-00-00-098	SLEEVE CAP	1
7.2	296-12-00-059	CHOPPER	1	37	R07801	1/4 LOCK WASHER	1
8	296-07-00-000	SLIDE ASSY	1	38	R07601	1/4 x 1 HEX BOLT	1
8.1	290-36-00-129	SLIDE	1	39	R22256	OVER CENTER VALVE - M&S MOTOR	1
8.2	290-36-00-130	SLIDE BRKT	2	40	R08175	5/16 - 18 UNC x 1 3/4" CAP SCREW	4
9	250-59-00-000	SET SCREW ASSY	4	41	R07620	3/8 x 1 1/2 HEX BOLT	1
9.1	250-59-00-141	SS SET SCREW REDDI ROD	1	42	296-00-00-071	FLEX HOSE	1
9.2	R08235	1/2 S.S. HEX NUT	1	43	270-00-00-075	3/8 KEY - 50mm LONG	1
10	296-06-06-000	VALVE TO ROTATOR PIPE ASSY	1	44	R07633	7/16 x 3 1/2 HEX BOLT	1
10.1	296-06-06-049	LONG EXTENSION PIPE	1	45	R07891	7/16 2-WAY LOCK NUT	1
10.2	296-06-00-102	FLANGE	1	46	297-04-00-000	1/4" HYD HOSE ASSY - 40ft EXT. (40ft only)	6
10.3	290-18-00-090	INNER ROLLER HOLDER	1	47	296-45-00-000	1/4" HYD HOSE ASSY - CONTROL TO DEFLECTOR CYL	1
10.4	296-06-07-118	HYDRAULIC MOTOR MOUNT PLATE	1				
10.5	296-06-07-119	MT PLATE SIDES	2	48	296-46-00-000	1/4" HYD HOSE ASSY - CONTROL TO DEFLECTOR CYL - SHORT	1
11	290-25-00-000	6 TOOTH SPROCKET ASSY	1				
11.1	290-25-00-097	SPROCKET SLEEVE	1				

# IMPELLER HOUSING & VALVE COMPLETE



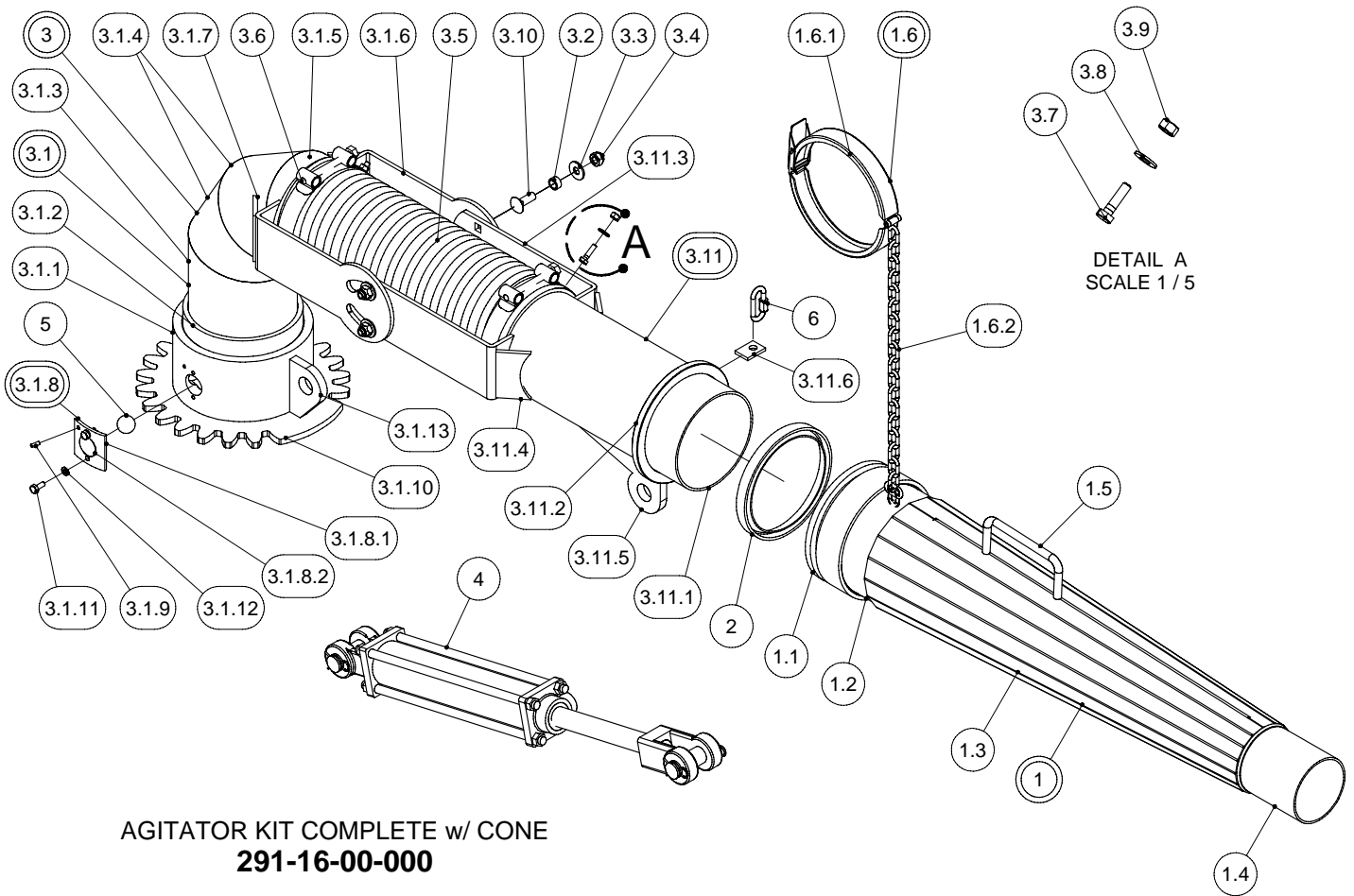
IMPELLER HOUSING & VALVE COMPLETE  
**296-06-00-000**



# IMPELLER HOUSING & VALVE COMPLETE

PARTS LIST			
ITEM	PART NUMBER	DESCRIPTION	QTY
1	296-06-01-000	BOLT ON IMPELLER HOUSING	1
1.1	296-06-01-035	HOUSING UPPER PLATE	1
1.2	296-06-01-036	HOUSING BAND	1
1.3	296-06-01-034	HOUSING BOTTOM PLATE	1
1.4	290-03-01-131	SLIDE HOLD DOWN ANGLE	1
1.5	296-06-01-037	HOUSING TO VALVE PLATE	1
1.6	296-06-01-129	VALVE HOUSING CONNECTOR FLANGE	1
1.7	296-06-01-039	L.H. FILLER PLATE	1
1.8	296-06-01-038	R.H. FILLER PLATE	1
1.9	296-06-01-040	FILLER PLATE	1
2	296-40-00-000	VALVE ASSY COMPLETE w/ CYL	1
2.1	296-06-02-000	VALVE BODY ASSY	1
2.1.1	296-06-02-041	VALVE TUBE	1
2.1.2	275-01-02-091	VALVE EXTENSION PIPE	2
2.1.3	296-06-02-128	VALVE CONNECTOR FLANGE	1
2.1.4	275-01-02-012	VALVE FLANGE	1
2.1.5	275-01-02-062	VALVE END CAP	1
2.1.6	R08323	3/8 x 1 SS WELD STUD	2
2.2	296-06-05-000	LOWER DISCHARGE ELBOW ASSY	1
2.2.1	296-06-05-046	LOWER ELBOW END PC	2
2.2.2	296-06-05-047	MIDDLE ELBOW PC	1
2.2.3	296-06-05-091	ELBOW DRAIN PIPE	1
2.3	296-39-00-000	HYDRAULIC CYLINDER KIT	1
2.4	296-34-00-000	VALVE GATE ASSY	1
2.4.1	296-34-00-043	VALVE GATE	1
2.4.2	296-34-00-044	VALVE GATE BRKT	1
2.5	296-06-06-048	SHORT EXTENSION PIPE	1
2.6	296-06-03-120	EXTENSION PIPE	1
2.7	296-06-00-102	FLANGE	1
2.8	296-06-00-050	GUSSET	1
2.9	R07619	3/8 x 1 HEX BOLT	8
2.10	R07794	3/8 FLANGE NUT	8
3	R07794	3/8 FLANGE NUT	18
4	R07619	3/8 x 1 HEX BOLT	16

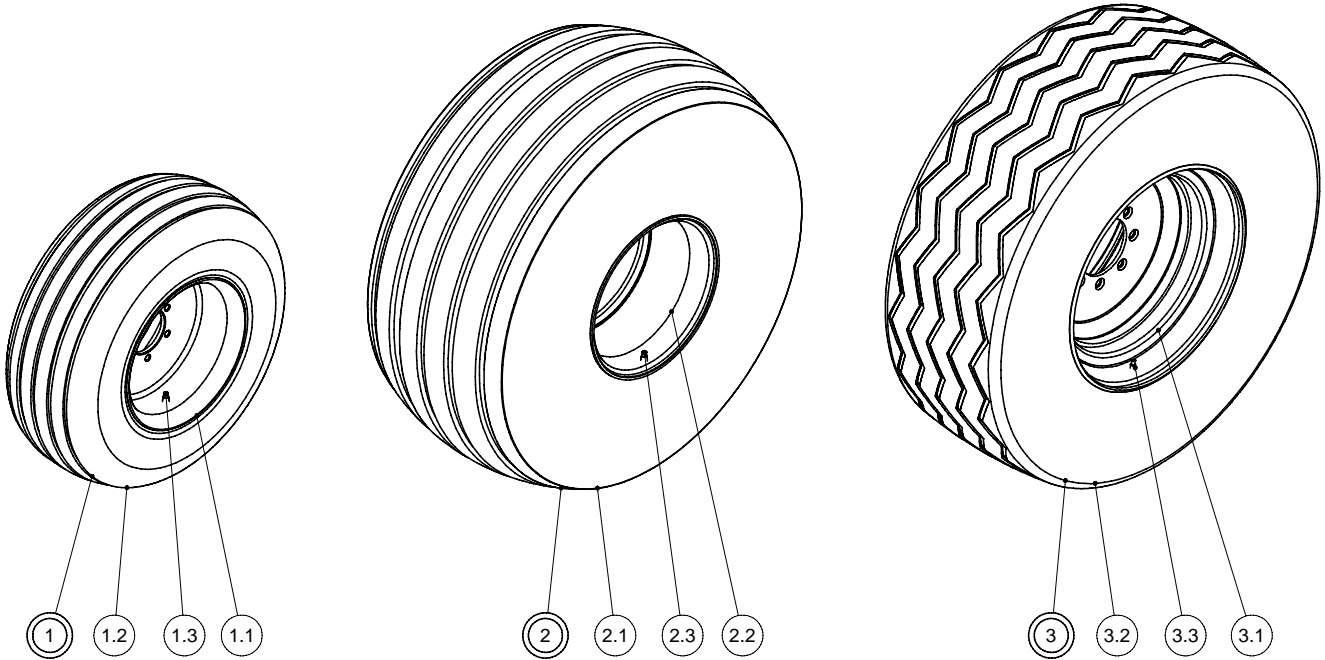
# AGITATOR KIT COMPLETE



**AGITATOR KIT COMPLETE w/ CONE**  
**291-16-00-000**

PARTS LIST				PARTS LIST			
ITEM	PART NUMBER	DESCRIPTION	QTY	ITEM	PART NUMBER	DESCRIPTION	QTY
1	244-12-07-000	CONE ASSY	1	3.1.10	290-30-00-118	ROTATOR SPROCKET	1
1.1	250-96-01-296	COUPLING BASE TUBE	1	3.1.11	R08233	1/4 x 5/8 SS HEX CAP SCREW	2
1.2	244-12-02-311	FILLER PIPE	1	3.1.12	R07801	1/4 LOCK WASHER	2
1.3	244-12-03-314	CONE (HALF)	2	3.1.13	291-16-05-353	INNER CYLINDER BRKT	1
1.4	244-12-05-319	STUB TUBE	1	3.2	244-05-00-281	SPACER PIPE	4
1.5	244-12-03-341	CONE HANDLE	1	3.3	R07824	7/16 FLAT WASHER	4
1.6	244-99-00-000	CLAMP & CHAIN ASSY	1	3.4	R08178	7/16 NYLOCK HEX NUT	4
1.6.1	R02487	6" RING LOCK CLAMP	1	3.5	270-63-00-187	FLEX HOSE	1
1.6.2	244-99-00-527	CLAMP CHAIN	1	3.6	R02482	6" HOSE CLAMP	2
2	R02366	6" RUBBER GASKET	2	3.7	R07601	1/4 x 1 HEX BOLT	4
3	291-16-03-000	AGITATOR SWIVEL KIT w/ RING	1	3.8	R07821	1/4 FLAT WASHER	4
3.1	291-16-05-000	AGITATOR ELBOW ASSY-2005	1	3.9	R07781	1/4 HEX NUT	4
3.1.1	290-30-00-128	OUTER ROLLER SLEEVE	1	3.10	R07774	7/16 x 1 1/4" GR 5 CARRIAGE BOLT	4
3.1.2	290-30-00-114	FILLER PIPE	1	3.11	291-16-04-000	CONE EXTENSION ASSY w/ RING	1
3.1.3	290-30-00-115	ELBOW BASE PC	1	3.11.1	291-16-04-355	EXTENSION PIPE	1
3.1.4	290-30-00-116	ELBOW MIDDLE PC	2	3.11.2	250-95-00-295	CLAMP RING	1
3.1.5	290-30-00-117	ELBOW TOP PC	1	3.11.3	244-05-46-277	INNER PIVOT BRKT	2
3.1.6	244-05-43-276	MAIN PIVOT BRKT	2	3.11.4	244-05-46-301	GUSSET	2
3.1.7	244-05-46-301	GUSSET	2	3.11.5	291-16-04-356	CYLINDER BRKT	1
3.1.8	275-05-00-000	CAP ASSY	1	3.11.6	250-96-00-298	CHAIN LUG	1
3.1.8.1	275-05-00-032	CAP PLATE	1	4	R20726	2 x 10 HYDRAULIC CYLINDER	1
3.1.8.2	275-05-00-031	CAP PLUG	1	5	R20219	1" NYLON BALL	19
3.1.9	R08237	3/16 x 1/2 SS ROLL PIN	1	6	R08435	1/4 Quick Link	1

## TIRES AND WHEELS



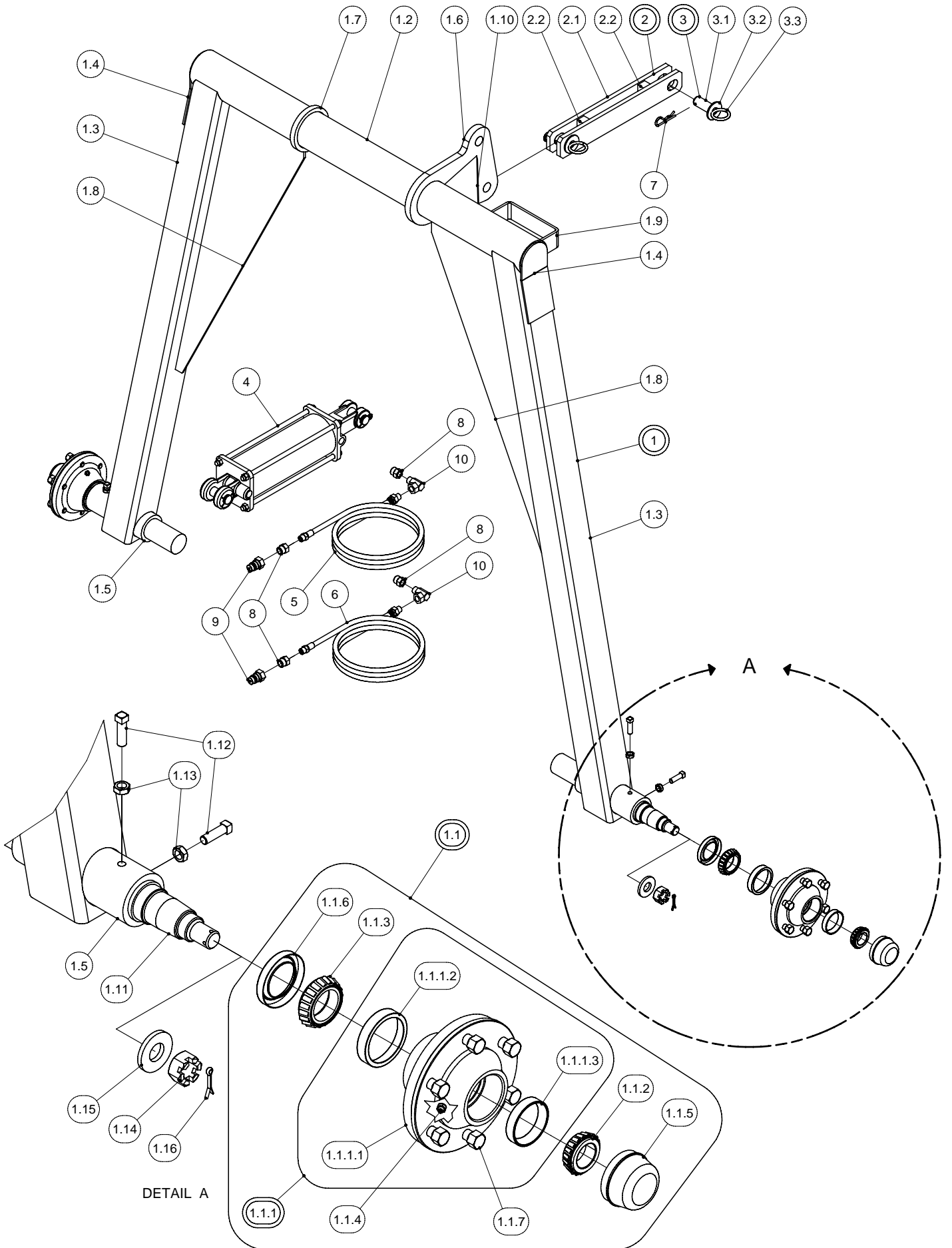
**11L x 15 TIRE & WHEEL ASSY**  
**290-31-00-00**

**21.5L x 16.1 TIRE & WHEEL ASSY**  
**325-64-00-00**

**18L x 22.5 TIRE & WHEEL ASSY**  
**340-55-00-000**

PARTS LIST			
ITEM	PART NUMBER	DESCRIPTION	QTY
1	290-31-00-000	11L x 15 TIRE AND WHEEL ASSY	1
1.1	R20045	15 x 8 x 6 BOLT WHEEL	1
1.2	R20043	11L x 15 RIB IMP 6 PL TIRE	1
1.3	R20020	VALVE STEM	1
2	325-64-00-000	21.5 x 16.1 TIRE & WHEEL ASSY - 8 BOLT 10 PLY	1
2.1	R20005	21.5 x 16.1 10 PLY IMPLEMENT TIRE	1
2.2	R20074	RIM FOR 21.5 TIRE - 8 BOLT	1
2.3	R20020	VALVE STEM	1
3	340-55-00-000	18 x 22.5 TRUCK TIRE, TUBE & WHEEL	1
3.1	R20058	8 BOLT WHEEL 13.5 x 22.5	1
3.2	R20011	18 x 22.5 USED TRUCK TIRE	1
3.3	R20050	VALVE STEM FOR TRUCK TIRE	1

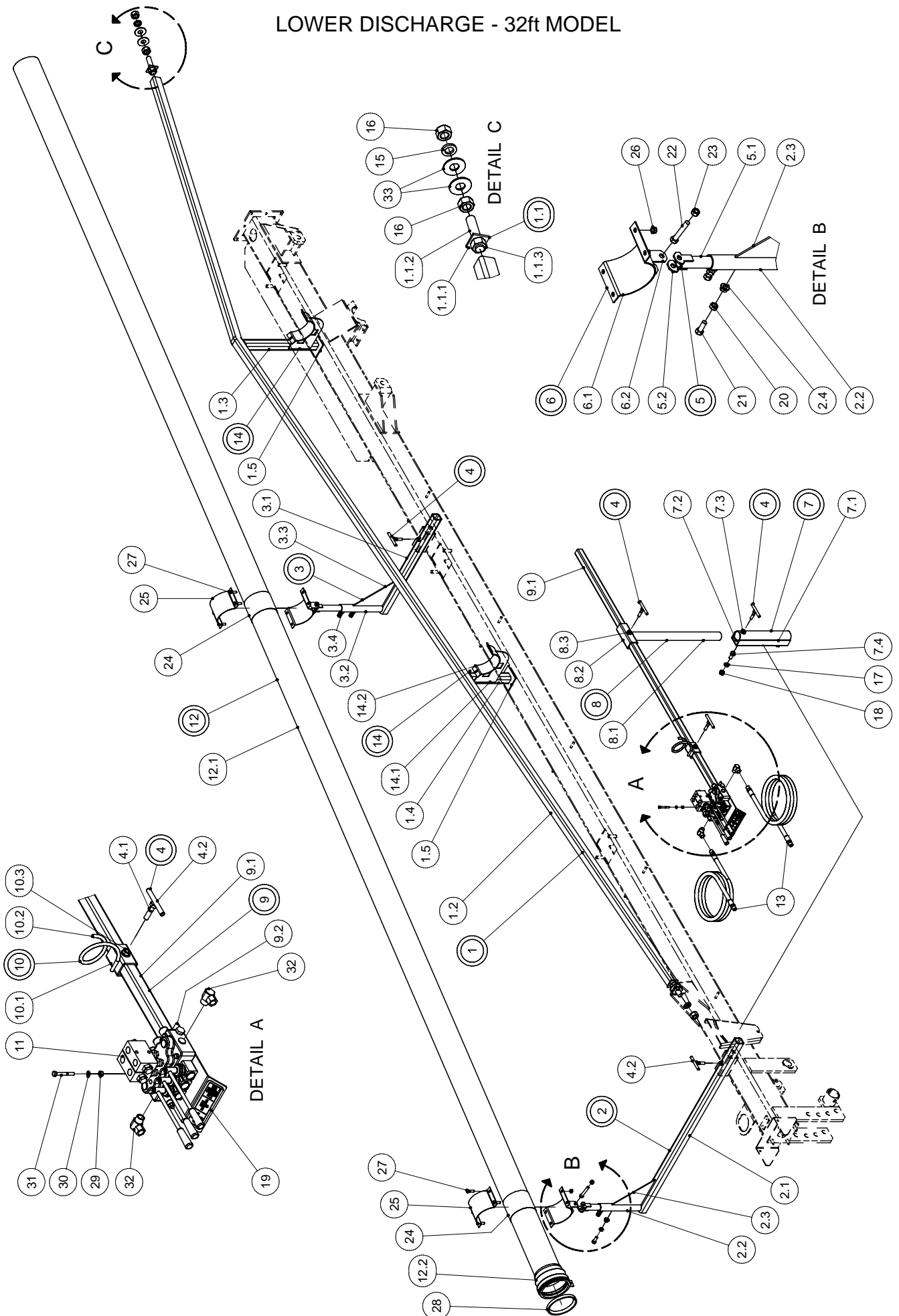
# CARRIAGE KIT



# CARRIAGE KIT

PARTS LIST			
ITEM	PART NUMBER	DESCRIPTION	QTY
1	296-13-00-000	CARRIAGE ASSY	1
1.1	290-59-00-000	5000LB - 6 BOLT HUB ASSY	2
1.1.1	R22055	5000LB HUB w/ CUPS	1
1.1.1.1	R22054	5000LB HUB - 6 BOLT	1
1.1.1.2	R22058	INNER CUP LM603049	1
1.1.1.3	R22060	OUTER CUP LM48510	1
1.1.2	R22061	OUTER CONE LM48548	1
1.1.3	R22059	INNER CONE LM603049	1
1.1.4	R08186	1/8" NPT GREASE FTG	1
1.1.5	R22062	DUST CAP	1
1.1.6	R22063	SEAL CR2004	1
1.1.7	R20110	9/16 UNF WHEEL BOLT	6
1.2	290-11-00-045	CARRIAGE CROSS TUBE	1
1.3	296-13-00-060	CARRIAGE LEG	2
1.4	290-11-00-050	CARRIAGE TUBE END CAP	2
1.5	290-56-00-189	SPINDLE SLEEVE	2
1.6	296-13-00-063	CYLINDER LUG	1
1.7	296-13-00-127	SPACER TUBE	1
1.8	296-13-00-062	CARRIAGE LEG GUSSET	2
1.9	296-13-00-117	LIFT BRKT	1
1.10	296-13-00-064	CYLINDER LUG GUSSET	2
1.11	290-00-00-187	ADJUSTABLE SPINDLE	2
1.12	R07923	1/2 x 1 1/2" SQ HD SET SCREW	4
1.13	R08046	1/2 - 13 JAM NUT	4
1.14	R20117	SPINDLE NUT	2
1.15	R20118	SPINDLE WASHER	2
1.16	R08013	3/16 x 2 COTTER PIN	2
2	290-20-00-000	TIE BAR ASSY	1
2.1	290-20-00-075	TIE BAR	2
2.2	290-20-00-076	SPACER	2
3	290-39-00-000	TIE BAR PIN	2
3.1	290-39-00-136	TIE BAR PIN	1
3.2	R07827	3/4" FLAT WASHER	1
3.3	250-00-00-354	1/4 X 1 1/2" RING	1
4	R22169	4 x 8" HYDRAULIC CYL w/ 1 3/4" SHAFT	1
5	296-26-00-000	1/4" HYD HOSE ASSY - TRACTOR TO WHEEL CYL	1
6	296-27-00-000	1/4" HYD HOSE ASSY - TRACTOR WHEEL CYL	1
7	R07948	5/32 HAIR PIN	2
8	R02043	BUSHING 1/2 x 3/8	4
9	R21342	1/2" MALE PIONEER TIP	2
10	R21366	3/8" x 90° NPT STREET ELBOW	2

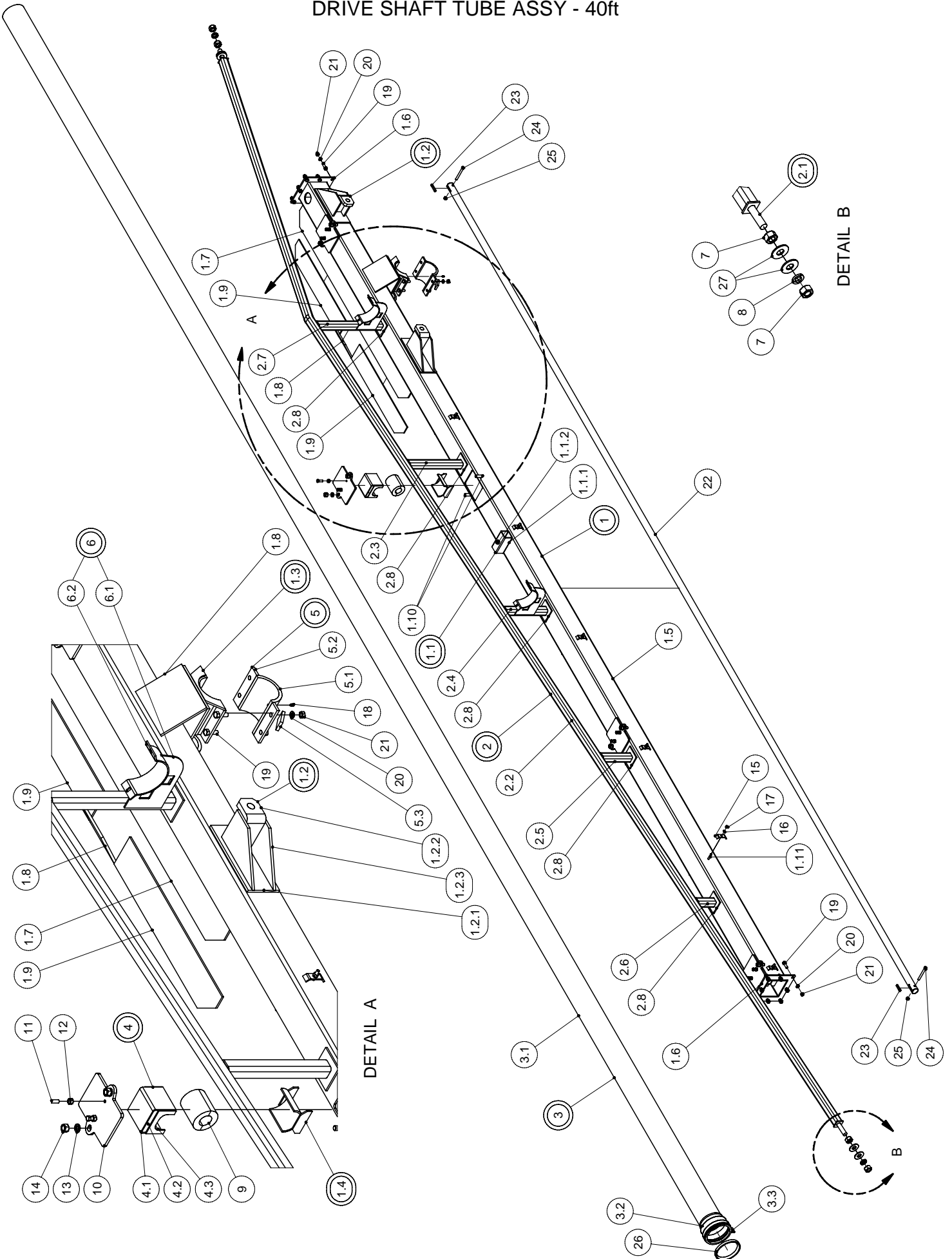
# LOWER DISCHARGE - 32ft MODEL



## LOWER DISCHARGE - 32ft MODEL

PARTS LIST				PARTS LIST			
ITEM	PART NUMBER	DESCRIPTION	QTY	ITEM	PART NUMBER	DESCRIPTION	QTY
1	296-14-00-000	REINFORCING BAR ASSY	1	8.3	R07795	1/2" UNC FLANGE NUT	1
1.1	296-14-01-000	LUG ASSY	2	9	296-24-00-000	CONTROL BANK HOLDER ASSY	1
1.1.1	296-14-01-070	LUG PLATE	1	9.1	296-24-00-087	CONTROL HOLDER ARM	1
1.1.2	296-14-01-069	LUG REDDI THREAD	1	9.2	296-24-00-088	CONTROL VALVE PLATE	1
1.1.3	R07788	1" HEX NUT	1	10	296-25-00-000	ADJUSTABLE HYD HOSE HOLDER ASSY	1
1.2	296-14-00-065	REINFORCING BAR	1	10.1	296-25-00-089	HOSE HOLDER SLEEVE	1
1.3	296-14-00-066	LONG UPRIGHT BAR	1	10.2	296-25-00-090	HYD HOSE HOLDER	1
1.4	296-14-00-067	SHORT UPRIGHT BAR	1	10.3	R07795	1/2" UNC FLANGE NUT	1
1.5	296-14-00-068	UPRIGHT BASE PLATE	2	11	R22249	3 BANK MONOBLOCK VALVE w/CHECKS	1
2	296-17-00-000	LONG DISCHARGE PIPE HOLDER ASSY	1	12	296-15-00-000	LOWER ALUMINUM DISCH PIPE ASSY	1
2.1	296-17-00-075	CROSS ARM - LONG	1	12.1	296-15-00-072	LOWER ALUMINUM DISCHARGE PIPE	1
2.2	296-17-00-076	VERTICAL ARM	1	12.2	R02981	6" RW COUPLER-NARROW	1
2.3	296-17-00-077	GUSSET	1	12.3	248-05-00-036	CHAIN LUG	1
2.4	R07795	1/2" UNC FLANGE NUT	2	13	290-33-00-000	1/2" HYDRAULIC HOSE ASSY	2
3	296-18-00-000	SHORT DISCHARGE PIPE HOLDER ASSY	1	14	296-41-00-000	DISCHARGE AND LEG HOLDER ASSY	2
3.1	296-18-00-078	CROSS ARM - SHORT	1	14.1	296-41-00-125	DISCHARGE PIPE HOLDER BRKT	1
3.2	296-17-00-076	VERTICAL ARM	1	14.2	296-41-00-124	DISCHARGE PIPE HOLDER	1
3.3	296-17-00-077	GUSSET	1	15	R07808	1" LOCK WASHER	2
3.4	R07795	1/2" UNC FLANGE NUT	2	16	R07788	1" HEX NUT	4
4	296-22-00-000	TEE HANDLE ASSY	5	17	R07806	5/8 LOCK WASHER	2
4.1	R07639	1/2 x 2 HEX BOLT	1	18	R07786	5/8 HEX NUT	2
4.2	296-22-00-084	TEE HANDLE	1	19	R09652	LEFT, DOWN, OPEN DECAL	1
5	296-19-00-000	ADJUSTMENT BAR ASSY	2	20	R07785	1/2 HEX NUT	4
5.1	296-19-00-079	ADJUSTMENT BAR	1	21	R07674	1/2 x 1 1/4 HEX BOLT	4
5.2	296-19-00-080	ADJUSTMENT BAR BRKTS	2	22	R07641	1/2 x 3 HEX BOLT	2
6	296-20-00-000	PIPE SADDLE ASSY	2	23	R07885	1/2 - 2 WAY LOCK NUT	2
6.1	296-20-00-081	SADDLE PLATE	1	24	296-00-00-103	PIPE CUSHION	2
6.2	296-20-00-134	PIPE SADDLE BRKTS	2	25	296-20-00-081	SADDLE PLATE	2
7	296-48-00-000	PIVOT ASSY-LONG	1	26	R07879	7/16 FLANGE NUT	8
7.1	296-48-00-132	PIVOT CHANNEL	1	27	R07629	7/16 x 1 1/2 HEX BOLT	8
7.2	296-48-00-133	PIVOT TUBE	1	28	R02366	6" RUBBER GASKET	1
7.3	R07795	1/2" UNC FLANGE NUT	1	29	R07782	5/16 HEX NUT	3
7.4	R07673	5/8 x 1 1/4" UNC HEX BOLT	2	30	R07802	5/16 LOCK WASHER	3
8	296-23-00-000	CONTROL BANK HOLDER ADJ. ASSY	1	31	R07614	5/16" x 2 1/2 HEX BOLT	3
8.1	296-23-00-085	ADJUSTABLE VERTICAL BAR	1	32	R20814	3/4 SAE x 1/2" NPT x 90° SW. ADAPTOR	2
8.2	296-23-00-086	ADJUSTMENT SLEEVE	1	33	R07828	1" FLAT WASHER	4

# DRIVE SHAFT TUBE ASSY - 40ft

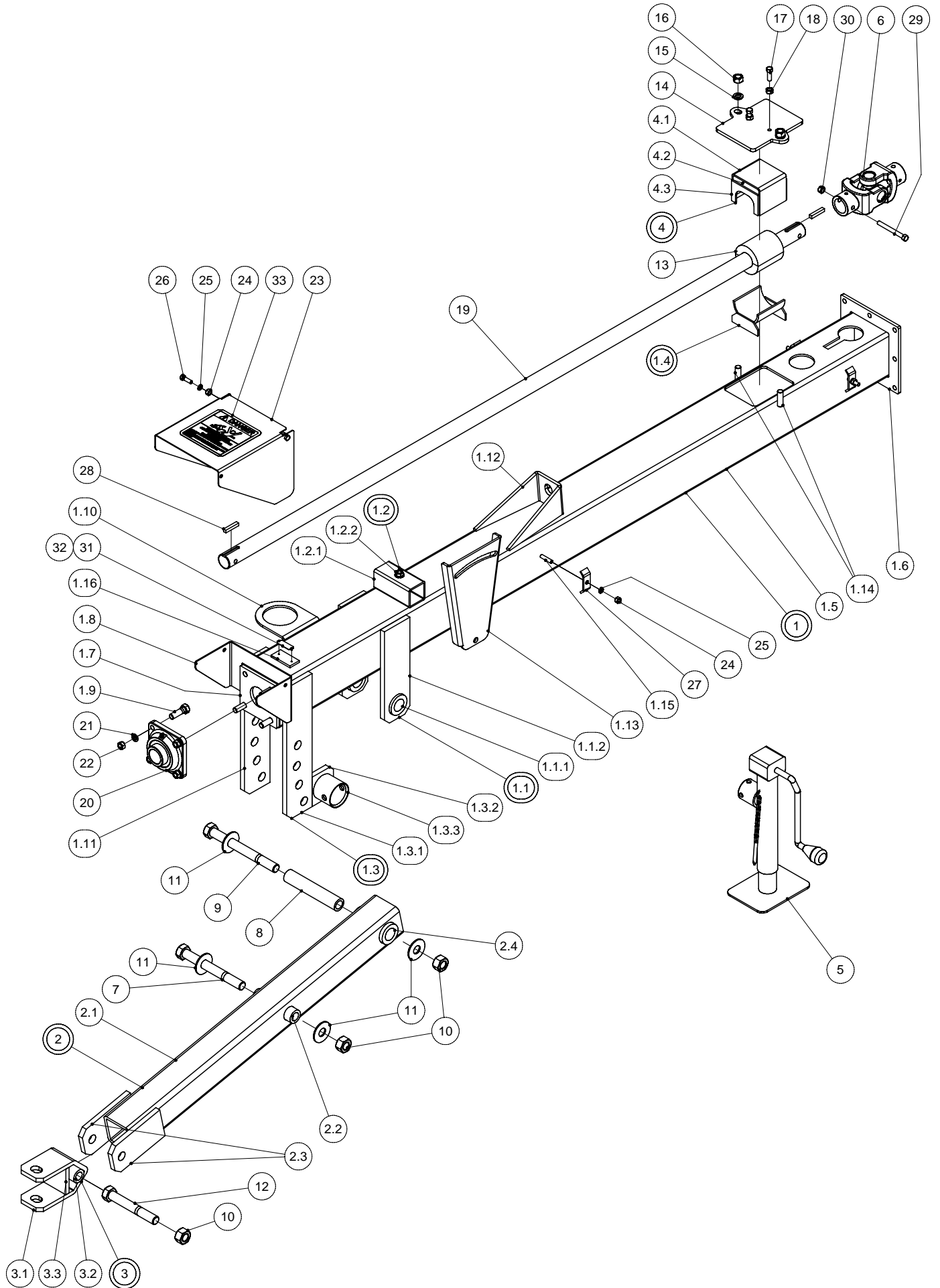




## DRIVE SHAFT TUBE ASSY - 40ft

PARTS LIST				PARTS LIST			
ITEM	PART NUMBER	DESCRIPTION	QTY	ITEM	PART NUMBER	DESCRIPTION	QTY
1	297-02-00-000	LOWER DRIVE SHAFT TUBE ASSY-40 FT	1	4	296-05-00-000	UPPER BRG HOLDER ASSY	4
1.1	296-01-03-000	DISCHARGE ADJUSTMENT SLEEVE ASSY	1	4.1	296-05-00-029	UPPER BRG COVER	1
				4.2	296-01-05-017	BEARING HOLDER HALF	1
1.1.1	296-01-03-012	ADJUSTMENT SLEEVE	1	4.3	296-05-00-028	UPPER RETAINER PLATE	2
1.1.2	R07795	1/2" UNC FLANGE NUT	1	5	290-13-00-000	CROSS SUPPORT TOP CLAMP ASSY	2
1.2	296-01-02-000	CYLINDER BRKT ASSY	2	5.1	290-13-00-056	HALF TUBE w/ GREASE FTG HOLE	1
1.2.1	296-01-02-008	CYLINDER BRKT BACK PLATE	1	5.2	290-13-00-055	FLANGE	2
1.2.2	296-01-02-009	CYLINDER BRKT	1	5.3	290-13-00-173	CLAMP SUPPORT	2
1.2.3	296-01-02-010	CYLINDER BRKT GUSSET	2	6	296-41-00-000	DISCHARGE AND LEG HOLDER ASSY	2
1.3	296-01-04-000	CARRIAGE CROSS SUPPORT ASSY	1	6.1	296-41-00-125	DISCHARGE PIPE HOLDER BRKT	1
1.4	296-01-05-000	BEARING BASE ASSY	4	6.2	296-41-00-124	DISCHARGE PIPE HOLDER	1
1.5	297-02-00-109	UPPER DRIVE SHAFT TUBE-40 FT	1	7	R07788	1" HEX NUT	4
1.6	296-01-00-015	LOWER FLANGE	2	8	R07808	1" LOCK WASHER	2
1.7	296-01-00-104	TUBE REINFORCING PLATE	1	9	R20236	1 3/4" SPLIT BEARING	4
1.8	296-01-00-014	CROSS SUPPORT GUSSET	2	10	296-00-00-030	TUBE COVER PLATE	4
1.9	296-01-00-106	LOWER REINFORCING PLATE	2	11	R07671	7/16 x 1 1/4 HEX BOLT	8
1.10	296-01-00-016	CAP REDDI THREAD	8	12	R07784	7/16 HEX NUT	8
1.11	R08302	3/8-16 UNC x 1 5/8" WELD STUD	22	13	R07806	5/8 LOCK WASHER	8
2	297-03-00-000	REINFORCING BAR ASSY - 40ft	1	14	R07786	5/8 HEX NUT	8
2.1	296-14-01-000	LUG ASSY	2	15	290-00-00-167	HYDRAULIC HOSE CLIP	22
2.2	297-03-00-110	REINFORCING BAR - 40ft PUMP	1	16	R07803	3/8 LOCK WASHER	22
2.3	297-03-00-111	UPRIGHT BAR NO:1	1	17	R07783	3/8 HEX NUT	22
2.4	297-03-00-112	UPRIGHT BAR NO:2	1	18	R21687	GREASE NIPPLE	2
2.5	297-03-00-113	UPRIGHT BAR NO:3	1	19	R07638	1/2 x 1 1/2 HEX BOLT	24
2.6	297-03-00-114	UPRIGHT BAR NO:4	1	20	R07805	1/2 LOCK WASHER	24
2.7	296-14-00-066	LONG UPRIGHT BAR	1	21	R07785	1/2 HEX NUT	24
2.8	296-14-00-068	UPRIGHT BASE PLATE	5	22	296-00-00-031	UPPER DRIVE SHAFT	1
3	297-05-00-000	LOWER ALUMINUM DISCHARGE PIPE ASSY	1	23	270-00-00-075	3/8 KEY - 50mm LONG	2
				24	R07634	7/16 x 4 HEX BOLT	2
3.1	297-05-00-116	LOWER ALUMINUM DISCHARGE PIPE	1	25	R07891	7/16 2-WAY LOCK NUT	2
3.2	R02981	6" RW COUPLER-NARROW	1	26	R02366	6" RUBBER GASKET	1
3.3	248-05-00-036	CHAIN LUG	1	27	R07828	1" FLAT WASHER	4

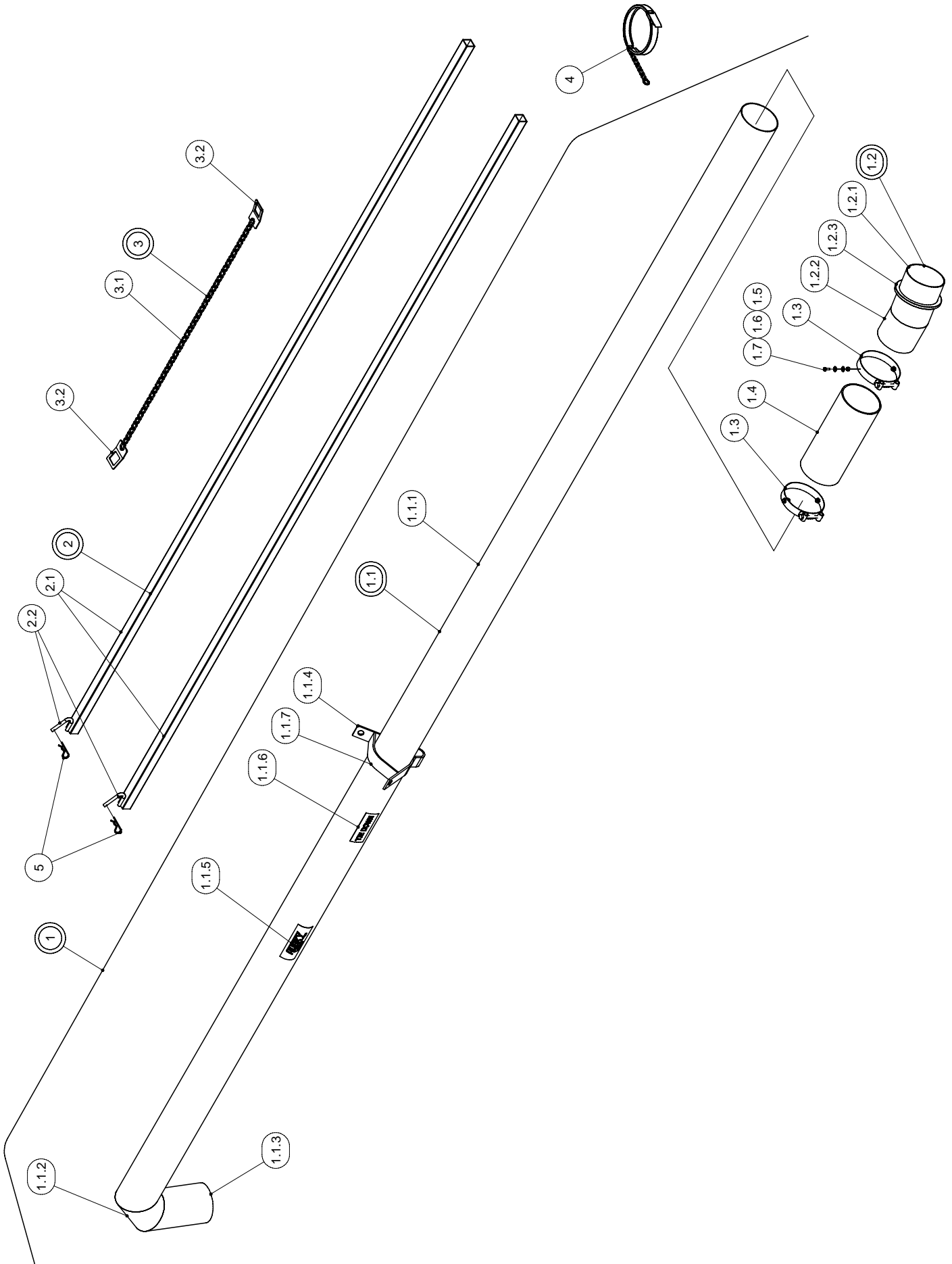
# TOP END - 40ft



TOP END - 40ft

PARTS LIST				PARTS LIST			
ITEM	PART NUMBER	DESCRIPTION	QTY	ITEM	PART NUMBER	DESCRIPTION	QTY
1	297-01-00-000	UPPER DRIVE SHAFT TUBE ASSY-40 FT	1	4	296-05-00-000	UPPER BRG HOLDER ASSY	1
1.1	296-01-01-000	TONGUE PIVOT ARM ASSY	2	4.1	296-05-00-029	UPPER BRG COVER	1
1.1.1	296-01-01-006	PIVOT ARM BUSHING	1	4.2	296-01-05-017	BEARING HOLDER HALF	1
1.1.2	296-01-01-005	PIVOT ARM	1	4.3	296-05-00-028	UPPER RETAINER PLATE	2
1.2	296-01-03-000	DISCHARGE ADJUSTMENT SLEEVE ASSY	1	5	R09751	7000LB SIDE WIND JACK	1
				6	270-32-00-000	KNUCKLE ASSY	1
1.2.1	296-01-03-012	ADJUSTMENT SLEEVE	1	7	R07859	1" - 8 UNC x 9" LONG HEX BOLT	1
1.2.2	R07795	1/2" UNC FLANGE NUT	1	8	296-00-00-100	PIVOT PIN	1
1.3	296-01-06-000	LH ADJUSTMENT ARM ASSY	1	9	R08285	1"-8 UNC x 10" LONG HEX BOLT	1
1.3.1	296-01-00-004	ADJUSTMENT ARMS	1	10	R07882	1" - 2 WAY LOCK NUT	3
1.3.2	296-01-06-101	JACK BRKT	1	11	R07828	1" FLAT WASHER	4
1.3.3	364-35-00-245	TONGUE JACK BRKT	1	12	R07668	1" - 8 UNC x 7" LONG HEX BOLT	1
1.4	296-01-05-000	BEARING BASE ASSY	1	13	R20236	1 3/4" SPLIT BEARING	1
1.5	297-01-00-107	UPPER SHAFT TUBE-40 FT PUMP	1	14	296-00-00-030	TUBE COVER PLATE	1
1.6	296-01-00-015	LOWER FLANGE	1	15	R07806	5/8 LOCK WASHER	2
1.7	296-01-00-002	BEARING FLANGE	1	16	R07786	5/8 HEX NUT	2
1.8	296-01-00-003	PTO GUARD MOUNT	1	17	R07671	7/16 x 1 1/4 HEX BOLT	2
1.9	R07647	5/8 x 2" HEX BOLT	4	18	R07784	7/16 HEX NUT	2
1.10	290-32-00-121	PTO HOLDER	1	19	297-00-00-108	UPPER DRIVE SHAFT - 40ft	1
1.11	296-01-00-004	ADJUSTMENT ARMS	1	20	R20585	1 3/4" - 4 BOLT FLANGE BEARING	1
1.12	296-01-00-011	UPPER REINFORCING ROD BRKT	1	21	R07805	1/2 LOCK WASHER	4
1.13	296-01-00-131	PIVOT PLATE	1	22	R07785	1/2 HEX NUT	4
1.14	296-01-00-016	CAP REDDI THREAD	2	23	296-00-00-033	PTO GUARD	1
1.15	R08302	3/8-16 UNC x 1 5/8" WELD STUD	6	24	R07783	3/8 HEX NUT	8
1.16	340-01-00-498	SERIAL NO. BACK PLATE	1	25	R07803	3/8 LOCK WASHER	8
2	296-03-00-000	TONGUE ASSY	1	26	R07675	3/8 x 1 1/4" HEX BOLT	2
2.1	296-03-00-021	TONGUE TUBE	1	27	290-00-00-167	HYDRAULIC HOSE CLIP	6
2.2	296-03-00-023	ADJUSTMENT BUSHING	1	28	270-00-00-075	3/8 KEY - 50mm LONG	2
2.3	296-03-00-022	TONGUE PLATE	2	29	R07634	7/16 x 4 HEX BOLT	1
2.4	296-03-00-024	TONGUE PIVOT BUSHING	1	30	R07891	7/16 2-WAY LOCK NUT	1
3	296-04-00-000	HITCH ASSY	1	31	R09071	SERIAL NUMBER PLATE	1
3.1	296-04-00-025	HITCH	1	32	R08152	6 x 1/4 PAN HD SOCKET SCREW	2
3.2	296-04-00-027	HITCH SLEEVE	1	33	R09785	"DANGER ROTATING DRIVELINE"	1
3.3	296-04-00-026	HITCH REINFORCING PLATE	1			DECAL	

# DISCHARGE PIPE



# DISCHARGE PIPE

PARTS LIST			
ITEM	PART NUMBER	DESCRIPTION	QTY
1	296-37-00-000	20ft DISCHARGE PIPE KIT	1
	N/A	25ft DISCHARGE PIPE KIT	1
	N/A	30ft DISCHARGE PIPE KIT	1
1.1	250-55-25-000	20 FT DISCHARGE PIPE ASSY - 6"	1
	250-94-01-000	25 FT DISCHARGE PIPE ASSY - 6"	1
	252-09-01-000	30 FT DISCHARGE PIPE ASSY - 6"	1
1.1.1	250-55-25-134	DISCHARGE PIPE 20 FT MODEL	1
	250-94-01-294	DISCHARGE PIPE 25 FT MODEL	1
	252-09-01-326	DISCHARGE PIPE 30 FT MODEL	1
1.1.2	250-26-22-097	DISCHARGE ELBOW CENTER PIECE	1
1.1.3	250-26-22-098	DISCHARGE ELBOW END PIECE	1
1.1.4	250-26-22-099	DISCHARGE PIPE HOOK	1
1.1.5	R09502	"HUSKY" DECAL	1
1.1.6	R09690	"TIE DOWN" DECAL	1
1.1.7	250-26-22-397	6" PIPE HOOK REINF STRAP	1
1.2	296-16-00-000	TOP DISCHARGE ELBOW ASSY	1
1.2.1	296-16-00-073	TOP DISCHARGE ELBOW BASE PC	1
1.2.2	296-16-00-074	TOP DISCHARGE ELBOW TOP PC	1
1.2.3	250-95-00-295	CLAMP RING	1
1.3	R02482	6" HOSE CLAMP	2
1.4	250-00-00-095	FLEX HOSE SECTION	1
1.5	R07781	1/4 HEX NUT	4
1.6	R07821	1/4 FLAT WASHER	8
1.7	R07677	1/4 x 3/4 HEX BOLT	4
2	242-33-00-000	BIPOD LEG ASSY	2
2.1	242-33-00-155	BIPOD LEGS	1
2.2	242-33-00-156	BIPOD LEG HOOK	1
3	242-79-00-000	BIPOD LEG CHAIN ASSY	1
3.1	242-79-00-199	BIPOD LEG CHAIN	1
3.2	242-79-00-198	BIPOD LEG CLIP	2
4	250-97-00-000	CLAMP & CHAIN ASSY	1
5	R07948	5/32 HAIR PIN	2

# PTO - TIGER/PROP AGITATOR

PARTS LIST				
ITEM	MFG #	PART NUMBER	DESCRIPTION	QTY
1	572080351	R21641	1 3/8" 6T QD YOKE - 540 RPM	1
	572083851	R21644	1 3/8" 20T QD YOKE - 1000 RPM	1
	572083751	R21640	1 3/4" 21T QD YOKE - 1000 RPM	1
2	41208	R21614	CROSS JOURNAL ASSY	2
3	338023000	R21621	CIRCLIP	8
4	348004000	R21655	GREASE NIPPLE	2
5	204086860	R21620	OUTER TUBE YOKE	1
6	341054000	R21613	FLEXIBLE PIN	1
7	225730473	R21630	CARDAN TUBE	1
8	225690473	R21631	CARDAN TUBE	1
9	341055000	R21612	FLEXIBLE TUBE	1
10	240003551	R21619	INNER TUBE YOKE	1
11	606808080	R21642	1 3/4 RD SHEAR YOKE	1
12	255080005	R21609	O. BEARING 8-9-10	1
13	517080071	R21610	O. CONE SETS N8-9	1
14	236840402	R21633	OUTER SAFETY TUBE	1
15	236840402	R21634	INNER SAFETY TUBE	1
16	517080061	R21611	I. CONE SETS N8-9	1
17	255080006	R21608	I. BEARING 8-9-10	1
18	403000001	R21714	COMPLETE PUSH BUTTON	1
19	232088851	R21733	HUB	1
20	213080020	R21624	YOKE	1
21	348012000	R21672	5/16" GREASE NIPPLE	1
22	362006000	R21539	5/16 BALL	24
23	513080336	R21674	HUB c/w QD	1
24	401000028	R21675	COMPLETE PUSH BUTTON	1
25		R21602	M12 x 65 HEX BOLT	1
26		R21604	M12 NYLON LOCK NUT	1
27	5N08066NN	R21637	SAFETY GUARD	1
28		R21523	"SHIELD MISSING" DECAL	1
29		R21521	"DANGER ROTATING DRIVELINE" DECAL	1
30		R21738	SHIELD TIE CHAIN	2

