

Date Purchased _____ Machine Serial No. _____

Size of Spreader _____ Options _____

The key number system in this parts book is arranged as follows:

- ⊙ - Key numbers with two circles denotes main assemblies.
- - Key numbers with one circle are individual parts

Please order parts by number



5800L VACUUM SPREADER ▪ 365-00-00-000

OPERATING INSTRUCTIONS:

1. Heed all warnings.
2. Minimum HP requirements to safely operate on level terrain, on hilly terrain HP should be increased.

5800L -----	70 HP
7000L -----	85 HP
9000L -----	95 HP
12000L -----	110 HP
14000L -----	130 HP
15000L -----	140 HP
18000L -----	160 HP
23000L -----	200 HP
28000L -----	250 HP

3. If machine is equipped with hydraulic brakes that are operated from the tractor hydraulics, they will not work should the tractor motor stop. Inspect brakes before each use. Brakes must be bled before initial use unless installed at factory. When releasing brakes the tractor hydraulic lever must be put in the opposing position to release pressure. Do not put in float position they will not release.
4. Tractor PTO spline must be approximately 14" (355mm) from end of compressed PTO for proper adjustment
5. Hitch tanker to tractor with minimum 1" (25mm) hardened hitch pin with a safety lock. Use 10,000 Lbs safety chain from spreader to tractor.
6. Do not use tongue stand to support loaded spreader. Put jack in storage position before using.
7. When hooking PTO to tractor make sure motor is stopped. Make sure QD (Quick Disconnect) safety locking pin is in locked position before using.
8. Clean off hose ends before plugging into tractor hydraulics. If spreader is equipped with hydraulic drive on spreading attachment, make sure tractor has sufficient oil flow and pressure to maintain satisfactory spread pattern, if not use another tractor.
9. After using spreader in freezing conditions make sure impeller housing is drained.

OPERATING INSTRUCTIONS continued:

10. Wash tank inside and out each time work is finished. This will increase the life of the tank by many years. See item 6 of Safety instructions
11. Do not drive on public roads after dusk unless equipped with lights required by Department of Transportation in your area.
12. Remove wheels annually and grease wheel bearings.
13. Because manure smells, many farmers have made unfriendly neighbours. If in a residential area a manure injector is a recommended option to bury the smell.
14. Much of the fertilizer value of manure is lost when exposed to air. Getting the manure covered quickly is a very important part of spreading manure.
15. If rustproof coating on interior shows signs of deterioration, have interior repainted. This can be done with a roller or brush. This helps to increase the life of your spreader. It is a valuable maintenance procedure.

SAFETY INSTRUCTIONS:

Do not operate this machine until you fully understand the safe operating practices.

1. Make sure all moving parts are shielded to prevent coming in contact with loose clothing.
2. Keep children clear; do not let children or any person(s) ride the spreader at anytime.
3. Do not support loaded spreader on tongue jack.
4. Keep tire pressure to recommended pressure at all times. Recommended tire pressure being:

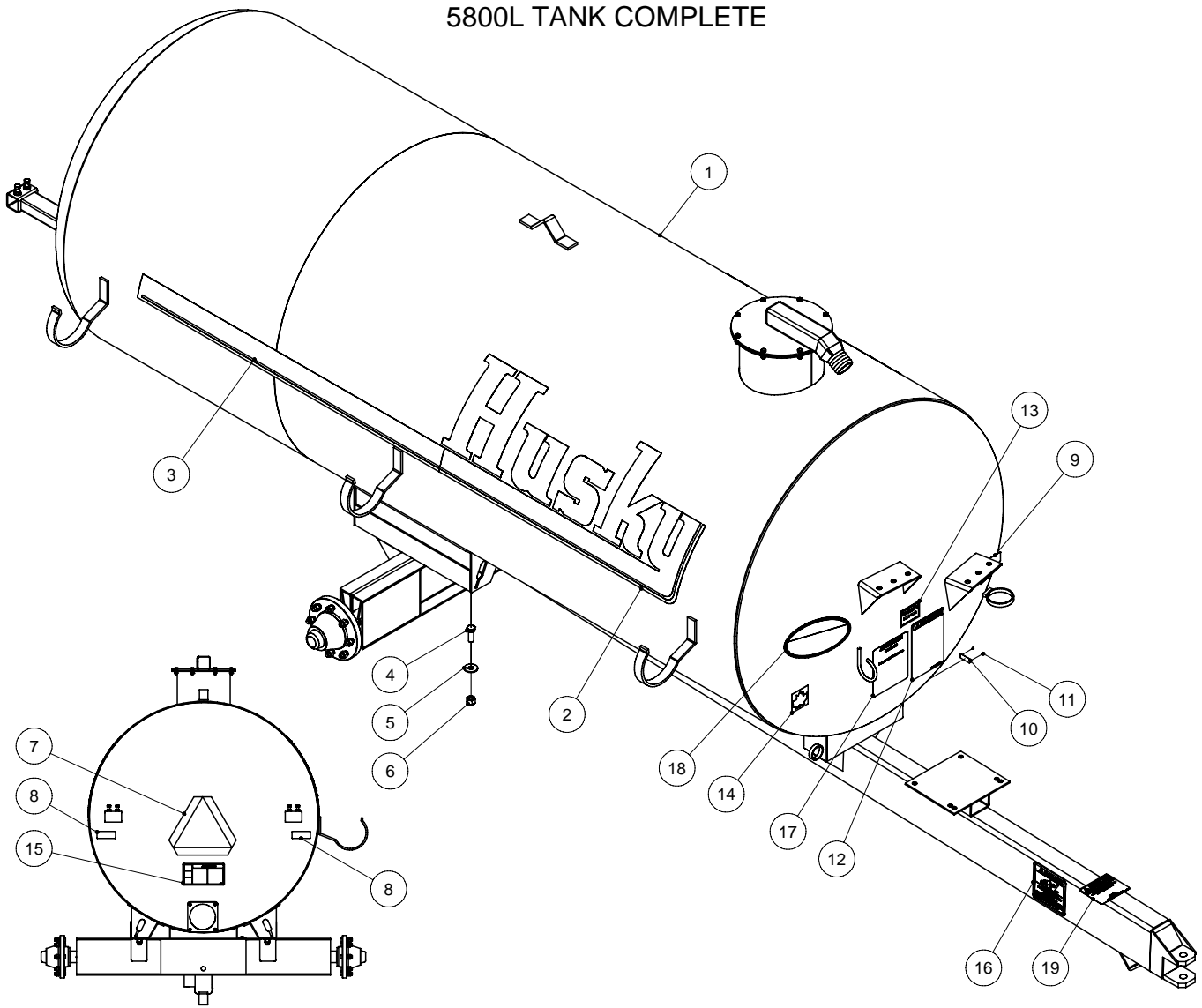
		Lbs	KPA
40 x 14	Airplane Tires	55	379
44 x 16	Airplane Tires	55	379
47 x 18 x 18	Airplane Tires	55	379
50 x 20 x 20	Airplane Tires	55	379
16.5L x 16.1	Implement Tires	35	241
21.5L x 16.1	Implement Tires	35	241
18.4L x 26	Turf Tires	30	207
23.1L x 26	Turf Tires	24	166
28L x 26	Turf Tires	24	166
30.54L x 32	Turf Tires	24	166
35.5L x 32	20 ply Turf Tires	32	220
18L x 22.5	Truck Tires	65	448
23.5L x 25	Loader Dozer Tires	55	379

5. Keep wheel bolts torqued to the recommended torque at all times. (Check Daily)

Wheel Bolt Size	Ft/Lbs Torque (Dry)	Ft/Lbs. - Oiled	Meter/Kg - Torque Dry	Meter/Kg - Oiled
9/16 – 18 NF GR. 5	120	90	16.59	12.44
5/8 – 18 NF GR. 8	240	180	33.18	24.89
3/4 – 16 NF GR. 8	420	310	58.07	42.86

6. Never enter a tanker without special breathing equipment to supply oxygen. Manure gases can kill instantly. One breath of Hydrogen Sulphide can kill.
7. When repairing hydraulic hoses, always relieve pressure in hose. Always wear safety glasses while working on spreader.
8. Caution – disc brakes will not release until valve lever is held momentarily in opposite position. This will relieve pressure in brake line. Do not put in float position, they will not release. (Rule does not apply to Husky Manure Spreaders equipped with a Knott Brake System)

5800L TANK COMPLETE

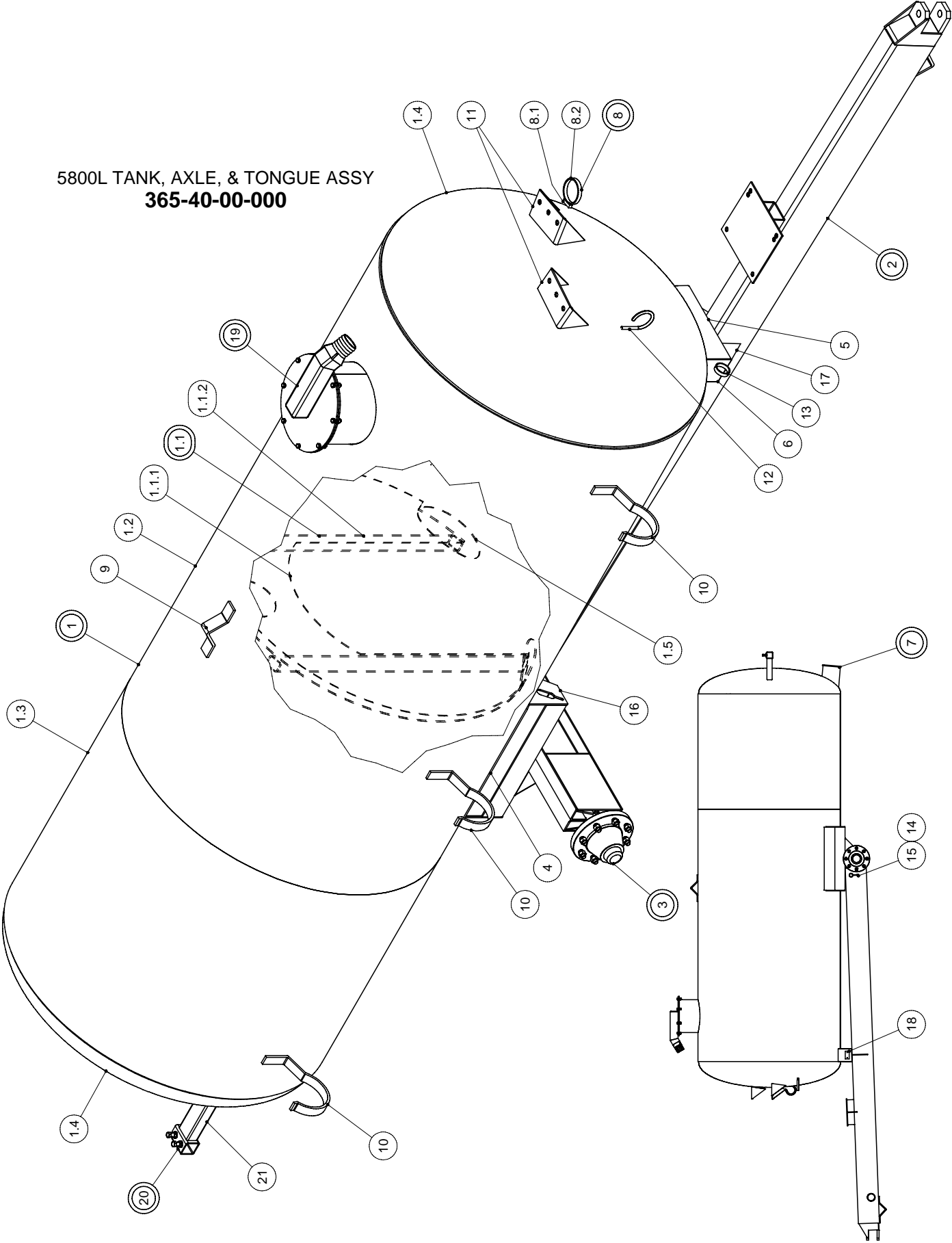


PARTS LIST

ITEM	PART NUMBER	DESCRIPTION	QTY
1	365-40-00-000	5700L TANK, AXLE, & TONGUE ASSY	1
2	R09510	"HUSKY" DECAL	2
3	R09511	ACCENT STRIP	2
4	R07654	3/4 x 2 UNC HEX BOLT	4
5	R07827	3/4" FLAT WASHER	4
6	R07878	3/4 UNC NYLOCK NUT	4
7	R09501	SLOW MOVING VEHICLE DECAL	1
8	R10096	RED REFLECTOR	2
9	R10097	AMBER REFLECTOR	1
10	R09071	SERIAL NUMBER PLATE	1
11	R08152	6 x 1/4 PAN HD SOCKET SCREW	2
12	R09783	"CAUTION" DECAL	1
13	R09512	CAPACITY DECAL	1
14	R09509	"MADE IN CANADA" DECAL - LARGE	1
15	R10334	TOXIC GAS PICTORAL DECAL	1
16	R09785	"DANGER ROTATING DRIVELINE" DECAL	1
17	R09730	TORQUE, TIRE PRESSURE DECAL	1
18	R10335	MANURE SPILL DECAL	1
19	R09672	CAUTION PTO LENGTH DECAL	1

5800L TANK ASSY

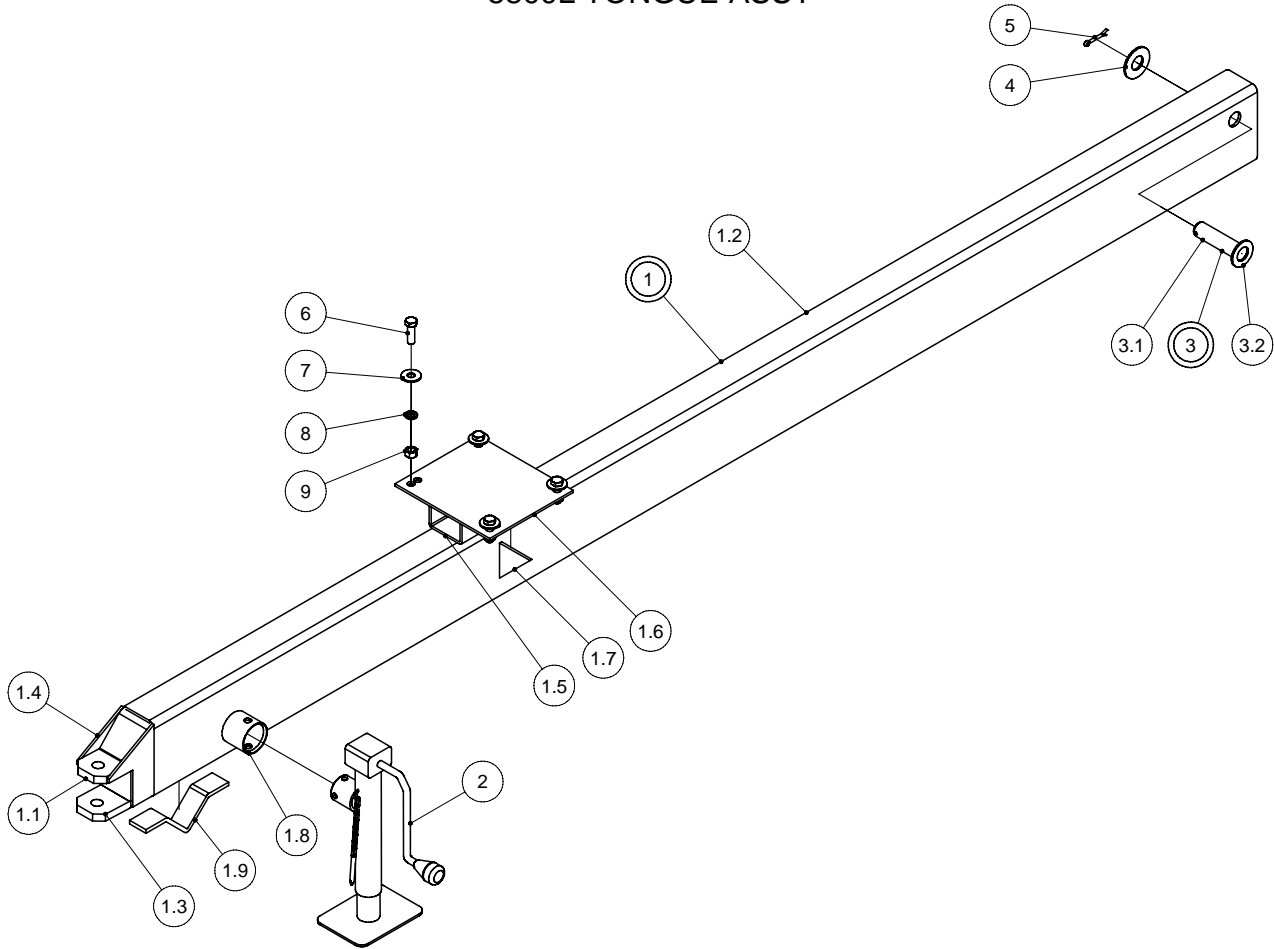
5800L TANK, AXLE, & TONGUE ASSY
365-40-00-000



5800L TANK ASSY

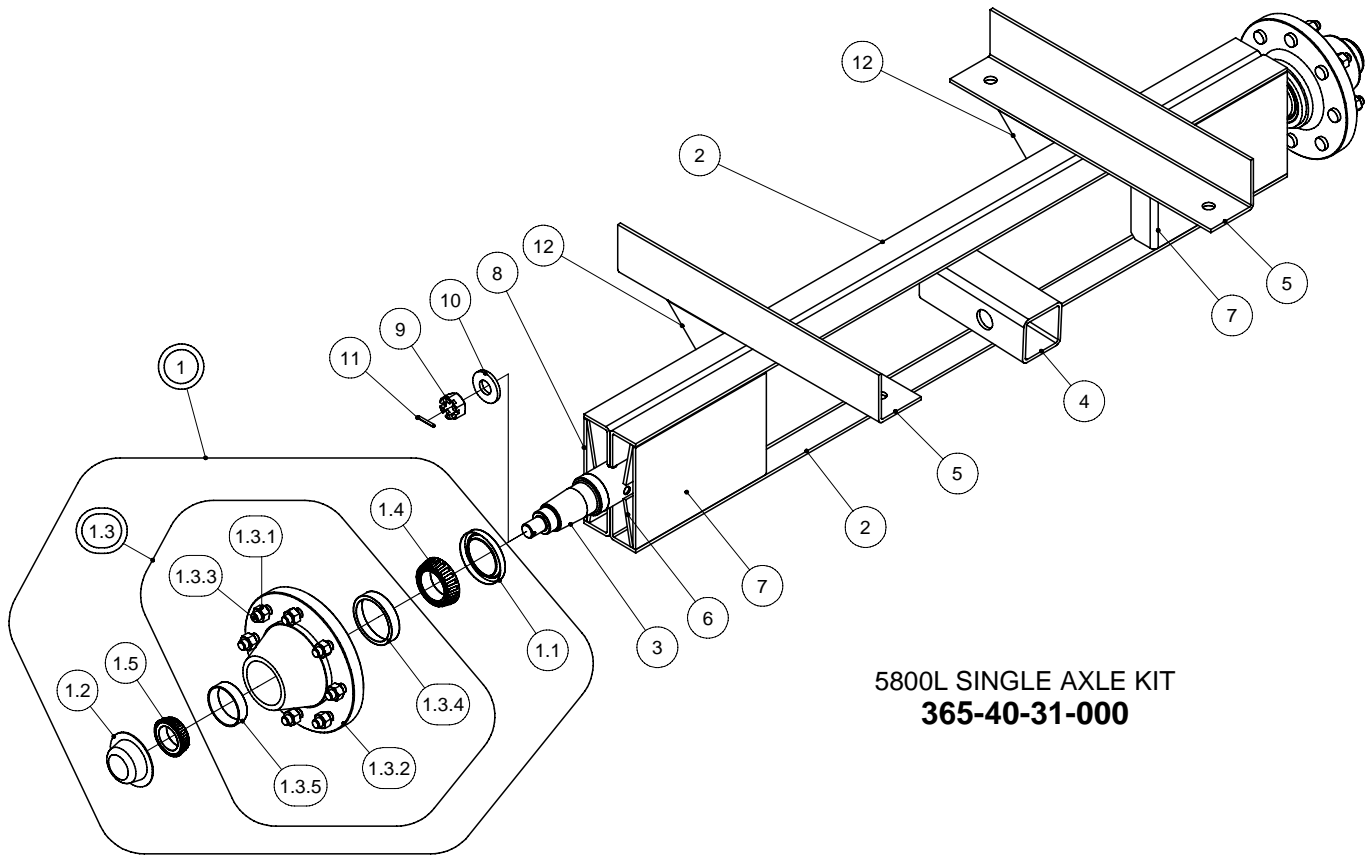
PARTS LIST			
ITEM	PART NUMBER	DESCRIPTION	QTY
1	365-40-30-000	5700L TANK ASSY	1
1.1	365-40-01-000	54" DIA BAFFLE ASSY	1
1.1.1	365-40-30-530	5700L FLANGED TANK BAFFLE	1
1.1.2	365-40-01-664	5800L BAFFLE SUPPORT TUBE	2
1.2	365-40-30-185	FRONT TANK SHELL	1
1.3	365-40-30-186	REAR TANK SHELL	1
1.4	R09844	54" ROUND TANK END	2
1.5	340-01-01-559	OVAL REINFORCING PLATE	2
2	365-40-32-000	TONGUE ASSY	1
3	365-40-31-000	AXLE ASSY w/ HUBS	1
4	365-40-00-181	5700L SILL	2
5	365-40-00-179	FRONT CROSS MEMBER	1
6	365-40-00-180	CROSS MEMBER END CAP	2
7	368-01-73-000	6" REAR VALVE FLANGE ASSY	1
8	368-01-59-000	PTO HOLDER	1
8.1	438-01-03-003	SPACER	1
8.2	364-41-00-132	PTO HOLDER	1
9	300-01-00-012	TANK LIFT HOOK	1
10	368-01-00-001	6" SUCTION PIPE HOLDER	3
11	368-01-00-007	MOISTURE TRAP TANK BRKT	2
12	315-30-00-108	HYD. HOSE HOOK	1
13	368-01-00-170	1 1/2" HOSE BRKT	1
14	365-72-00-000	TONGUE PIN ASSY	1
15	R08016	1/4 x 2 COTTER PIN	1
16	368-01-00-177	12&14000L SILL CAP	4
17	365-40-00-183	TONGUE GUSSET	2
18	340-01-00-498	SERIAL NO. BACK PLATE	1
19	376-08-00-000	TOP INLET PRIMARY TRAP KIT	1
20	357-30-03-000	MOUNT BRKT ASSY	2
21	357-30-00-312	LIGHT BRKT EXTENDER TUBE	2

5800L TONGUE ASSY



PARTS LIST			
ITEM	PART NUMBER	DESCRIPTION	QTY
1	365-40-32-000	TONGUE ASSY	1
1.1	365-40-32-193	HITCH TOP PC	1
1.2	365-40-32-192	TONGUE TUBE	1
1.3	365-40-32-194	HITCH BOTTOM PC	1
1.4	365-40-32-195	HITCH GUSSET	2
1.5	365-40-32-196	MOTOR MOUNT BRKT	1
1.6	365-40-32-197	MOTOR MOUNT	1
1.7	365-40-32-198	MOTOR MOUNT GUSSET	2
1.8	364-35-00-245	TONGUE JACK BRKT	1
1.9	300-01-00-012	TANK LIFT HOOK	1
2	R09751	7000LB SIDE WIND JACK	1
3	365-72-00-000	TONGUE PIN ASSY	1
3.1	365-72-00-345	TONGUE PIN	1
3.2	R07830	1 1/4" FLAT WASHER	1
4	R07830	1-1/4" FLAT WASHER	1
5	R08016	1/4 x 2 COTTER PIN	1
6	R07647	5/8 x 2 UNC HEX BOLT	4
7	R07826	5/8" FLAT WASHER	4
8	R07806	5/8" LOCK WASHER	4
9	R07786	5/8-11 UNC HEX NUT	4

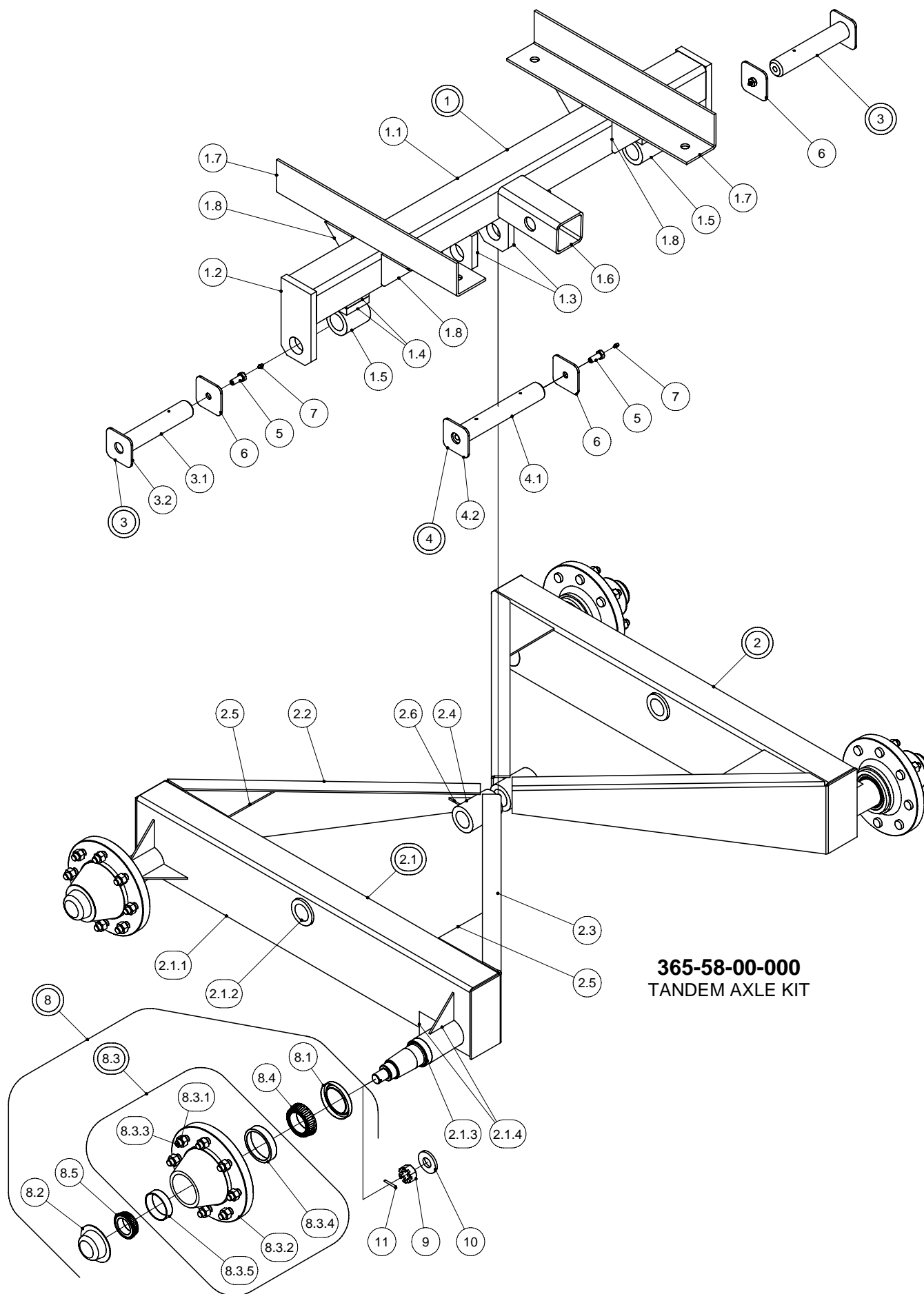
5800L SINGLE AXLE KIT



5800L SINGLE AXLE KIT
365-40-31-000

PARTS LIST			
ITEM	PART NUMBER	DESCRIPTION	QTY
1	300-27-00-000	8 - BOLT HUB COMPLETE	2
1.1	R20116	HUB SEAL	1
1.2	R20119	DUST CAP	1
1.3	300-27-00-574	8 - BOLT HUB w/ CUPS	1
1.3.1	R20111	5/8 x 18 UNF WHEEL NUT	8
1.3.2	R20126	8 BOLT HUB LESS CUPS	1
1.3.3	R20124	5/8 - 18 UNF x 2 3/8 WHEEL BOLT	8
1.3.4	R20112	JLM506810 INNER CUP	1
1.3.5	R20113	LM501310 OUTER CUP	1
1.4	R20114	JLM506849 INNER CONE	1
1.5	R20115	LM501349 OUTER CONE	1
2	365-40-31-189	AXLE SECTION	2
3	300-02-06-019	MARTIN SPINDLE	2
4	365-40-31-342	STUB TUBE	1
5	365-58-41-343	SILL ANGLE BRKT	2
6	300-02-06-021	REINFORCING PLATE	8
7	365-40-31-191	FRONT AXLE COVER	2
8	365-40-31-190	REAR AXLE COVER	2
9	R20117	SPINDLE NUT	2
10	R20118	SPINDLE WASHER	2
11	R07943	3/16 x 1 1/2 ROLL PIN	2
12	315-31-00-116	DOUBLE GUSSET	2

TANDEM AXLE KIT - 5800L VACUUM



365-58-00-000
TANDEM AXLE KIT

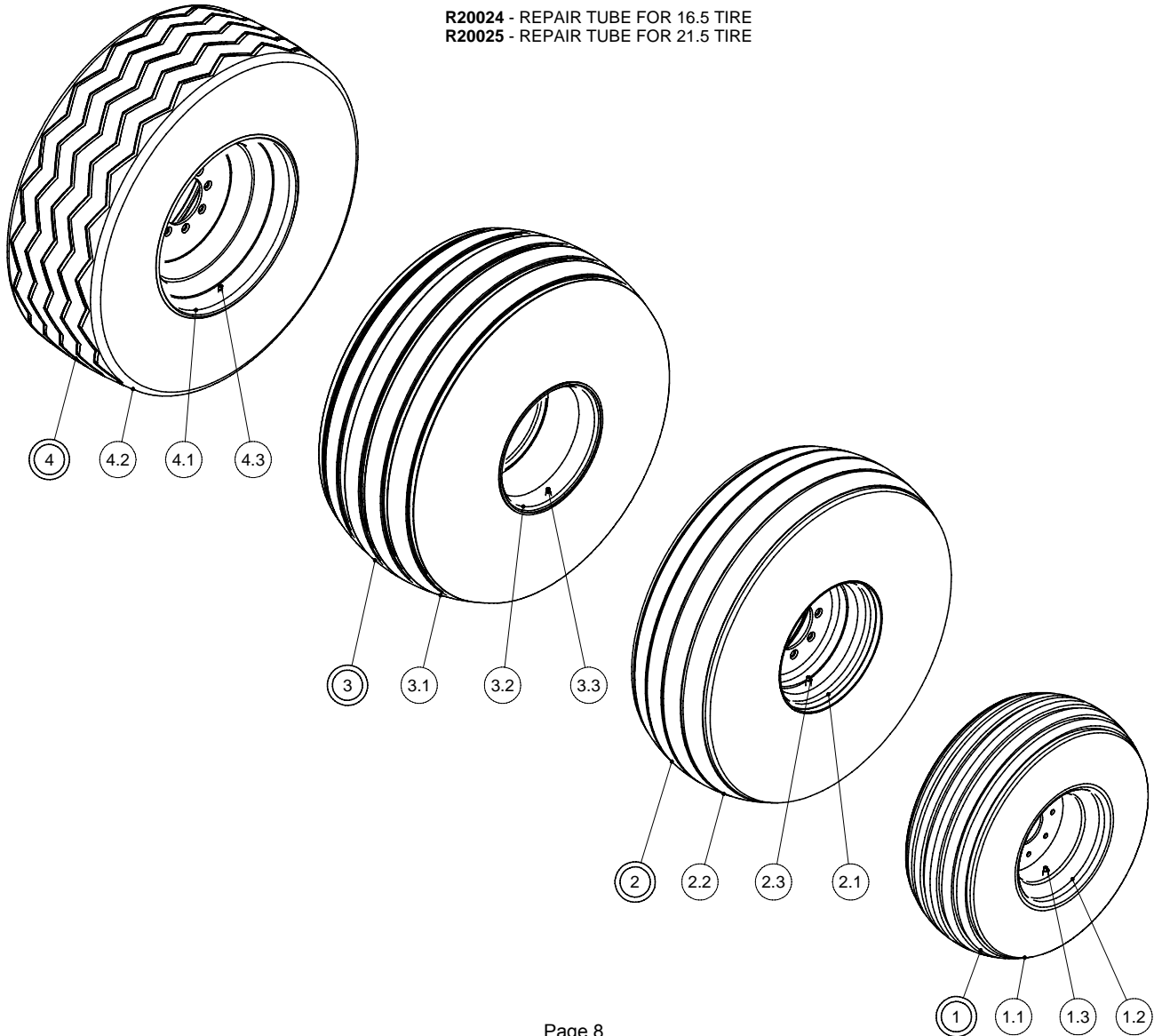
TANDEM AXLE KIT

PARTS LIST			
ITEM	PART NUMBER	DESCRIPTION	QTY
1	365-58-41-000	BASE FRAME ASSY	1
1.1	365-58-41-235	CROSS AXLE SUPPORT	1
1.2	365-58-41-236	CROSS AXLE SUPPORT END CAP	2
1.3	365-58-41-237	CROSS SUPPORT CENTRE LUG	3
1.4	365-58-41-238	SPACER	4
1.5	365-58-41-239	CROSS SUPPORT SLEEVE	2
1.6	365-58-41-341	STUB TUBE	1
1.7	365-58-41-343	SILL ANGLE BRKT	2
1.8	365-58-41-344	DOUBLE GUSSET	4
2	365-58-43-000	WALKING BEAM & SIDE ARM ASSY	2
2.1	365-58-42-000	WALKING BEAM ASSY	1
2.1.1	365-58-42-240	WALKING BEAM	1
2.1.2	365-58-42-241	WALKING BEAM SLEEVE	1
2.1.3	365-58-42-326	WELD IN SPINDLE	2
2.1.4	365-58-42-242	SPINDLE GUSSET	4
2.2	365-58-43-243	RH SIDE ARM	1
2.3	365-58-43-244	LH SIDE ARM	1
2.4	365-58-43-247	SIDE ARM SLEEVE	1
2.5	365-58-43-245	GUSSET	2
2.6	365-58-43-246	SMALL GUSSET	2
3	365-58-44-000	SIDE CONN. PIN ASSY	2
3.1	365-58-44-248	SIDE CONNECTOR PIN	1
3.2	365-58-44-249	CONNECTOR PIN PLATE	1
4	365-58-45-000	CENTRE CONN. PIN ASSY	1
4.1	365-58-45-250	CENTRE CONNECTOR PIN	1
4.2	365-58-44-249	CONNECTOR PIN PLATE	1
5	365-58-00-270	BOLT w/ GREASE FTG	3
6	365-58-00-269	WASHER	3
7	R08183	1/4" - 28 STRAIGHT GREASE FITTING	3
8	300-27-00-000	8 - BOLT HUB COMPLETE	4
8.1	R20116	HUB SEAL	1
8.2	R20119	DUST CAP	1
8.3	300-27-00-574	8 - BOLT HUB w/ CUPS	1
8.3.1	R20111	5/8 x 18 UNF WHEEL NUT	8
8.3.2	R20126	8 BOLT HUB LESS CUPS	1
8.3.3	R20124	5/8 - 18 UNF x 2 3/8 WHEEL BOLT	8
8.3.4	R20112	JLM506810 INNER CUP	1
8.3.5	R20113	LM501310 OUTER CUP	1
8.4	R20114	JLM506849 INNER CONE	1
8.5	R20115	LM501349 OUTER CONE	1
9	R20117	SPINDLE NUT	4
10	R20118	SPINDLE WASHER	4
11	R07943	3/16 x 1 1/2 ROLL PIN	4

5800L VACUUM TIRES

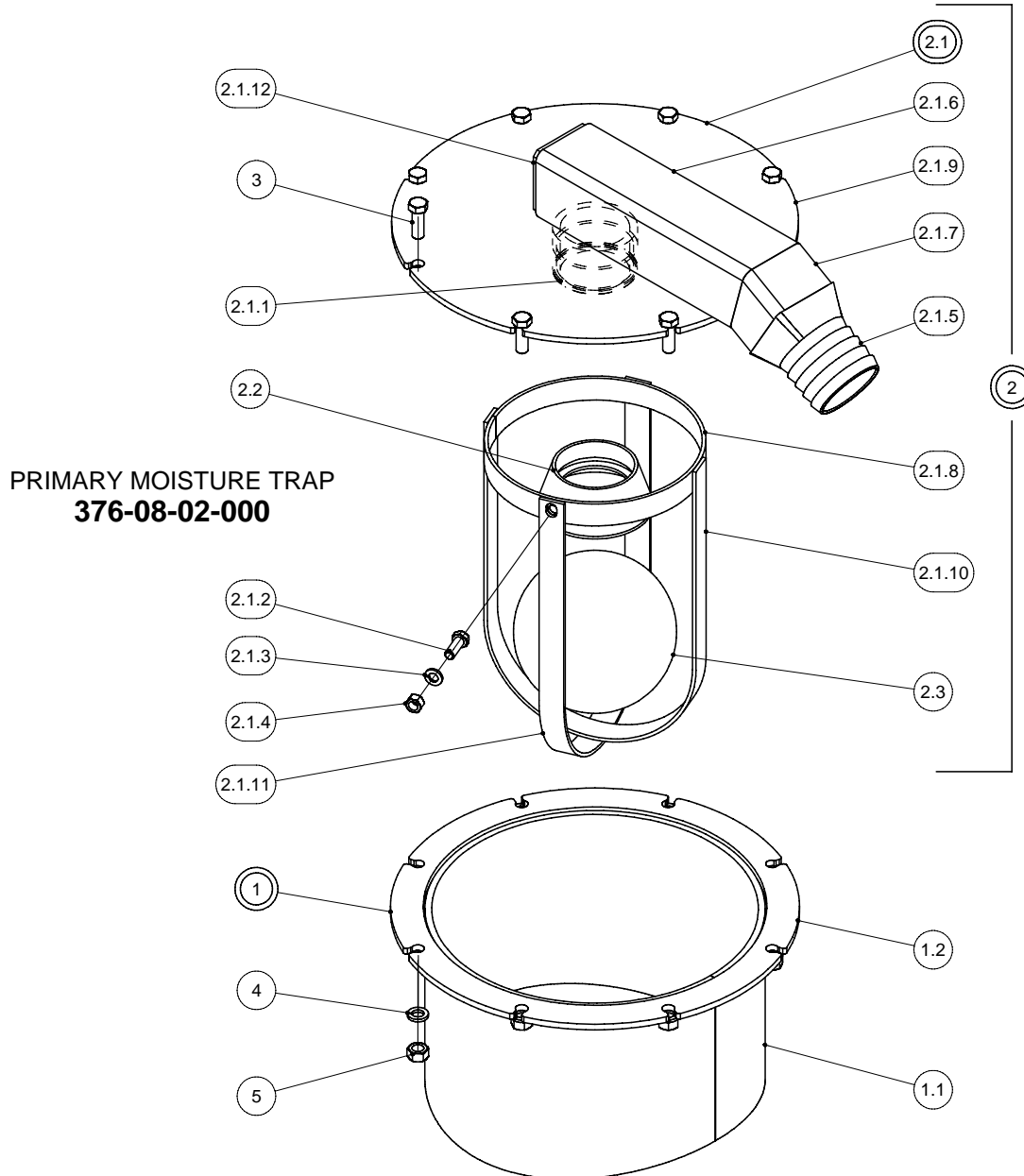
PARTS LIST			
ITEM	PART NUMBER	DESCRIPTION	QTY
1	365-61-00-000	12.5L X 15 - 10 PLY TIRE ASSY	1
1.1	R20035	12.5L X 15 10PLY TIRE	1
1.2	R20049	15 X 10 X 8 BOLT WHEEL	1
1.3	R20020	VALVE STEM	1
2	300-26-00-000	16.5 x 16.1 TIRE & WHEEL ASSY	1
2.1	R20073	RIM FOR 16.1 TIRE - 8 BOLT	1
2.2	R20004	16.5 x 16.1 IMPLEMENT TIRE	1
2.3	R20020	VALVE STEM	1
3	325-64-00-000	21.5 x 16.1 TIRE & WHEEL ASSY - 8 BOLT 10 PLY	1
3.1	R20005	21.5 x 16.1 10 PLY IMPLEMENT TIRE	1
3.2	R20074	RIM FOR 21.5 TIRE - 8 BOLT	1
3.3	R20020	VALVE STEM	1
4	340-55-00-000	18 x 22.5 TRUCK TIRE, TUBE & WHEEL	1
4.1	R20058	8 BOLT WHEEL 13.5 x 22.5	1
4.2	R20011	18 x 22.5 USED TRUCK TIRE	1
4.3	R20050	VALVE STEM FOR TRUCK TIRE	1

R20024 - REPAIR TUBE FOR 16.5 TIRE
R20025 - REPAIR TUBE FOR 21.5 TIRE



PRIMARY MOISTURE TRAP COMPLETE

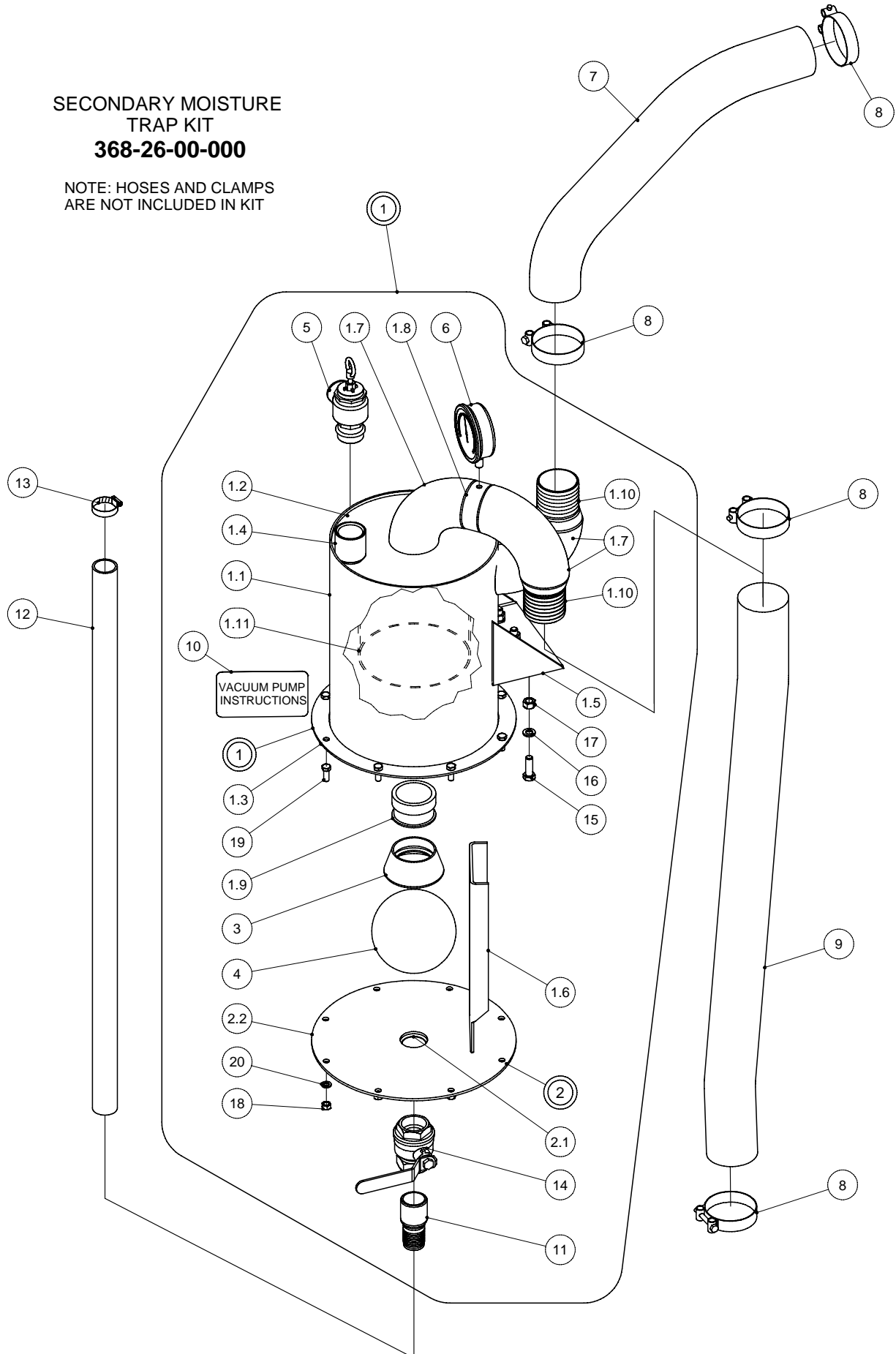
PARTS LIST				PARTS LIST			
ITEM	PART NUMBER	DESCRIPTION	QTY	ITEM	PART NUMBER	DESCRIPTION	QTY
1	376-08-03-000	CAN ASSY	1	2.1.7	376-08-02-648	SHORT INLET TUBE	1
1.1	376-08-03-653	PRIMARY CAN	1	2.1.8	376-08-02-649	INNER SS RING	1
1.2	368-91-01-379	CAN FLANGE	1	2.1.9	376-08-02-650	PRIMARY LID	1
2	376-08-01-000	PRIMARY TRAP CAGE/BALL & RUBBER ASSY	1	2.1.10	376-08-02-651	INNER SS HOOP	1
				2.1.11	376-08-02-652	OUTER SS HOOP	1
2.1	376-08-02-000	PRIMARY TRAP CAGE ASSY	1	2.1.12	376-08-02-654	PRIMARY CAP	1
2.1.1	368-25-20-110	SEAT HOLDER	1	2.2	R09857	RUBBER VALVE SEAT	1
2.1.2	R07619	3/8 x 1 UNC HEX BOLT	1	2.3	R09856	6" STAINLESS STEEL BALL	1
2.1.3	R07803	3/8" LOCK WASHER	1	3	R07671	7/16 x 1 1/4 UNC HEX BOLT	8
2.1.4	R07783	3/8-16 UNC HEX NUT	1	4	R07804	7/16" LOCK WASHER	8
2.1.5	308-62-01-199	BARBED CONNECTOR w/ sq END	1	5	R07784	7/16-14 UNC HEX NUT	8
2.1.6	376-08-02-647	INLET TUBE	1				



SECONDARY MOISTURE TRAP COMPLETE

SECONDARY MOISTURE TRAP KIT 368-26-00-000

NOTE: HOSES AND CLAMPS
ARE NOT INCLUDED IN KIT

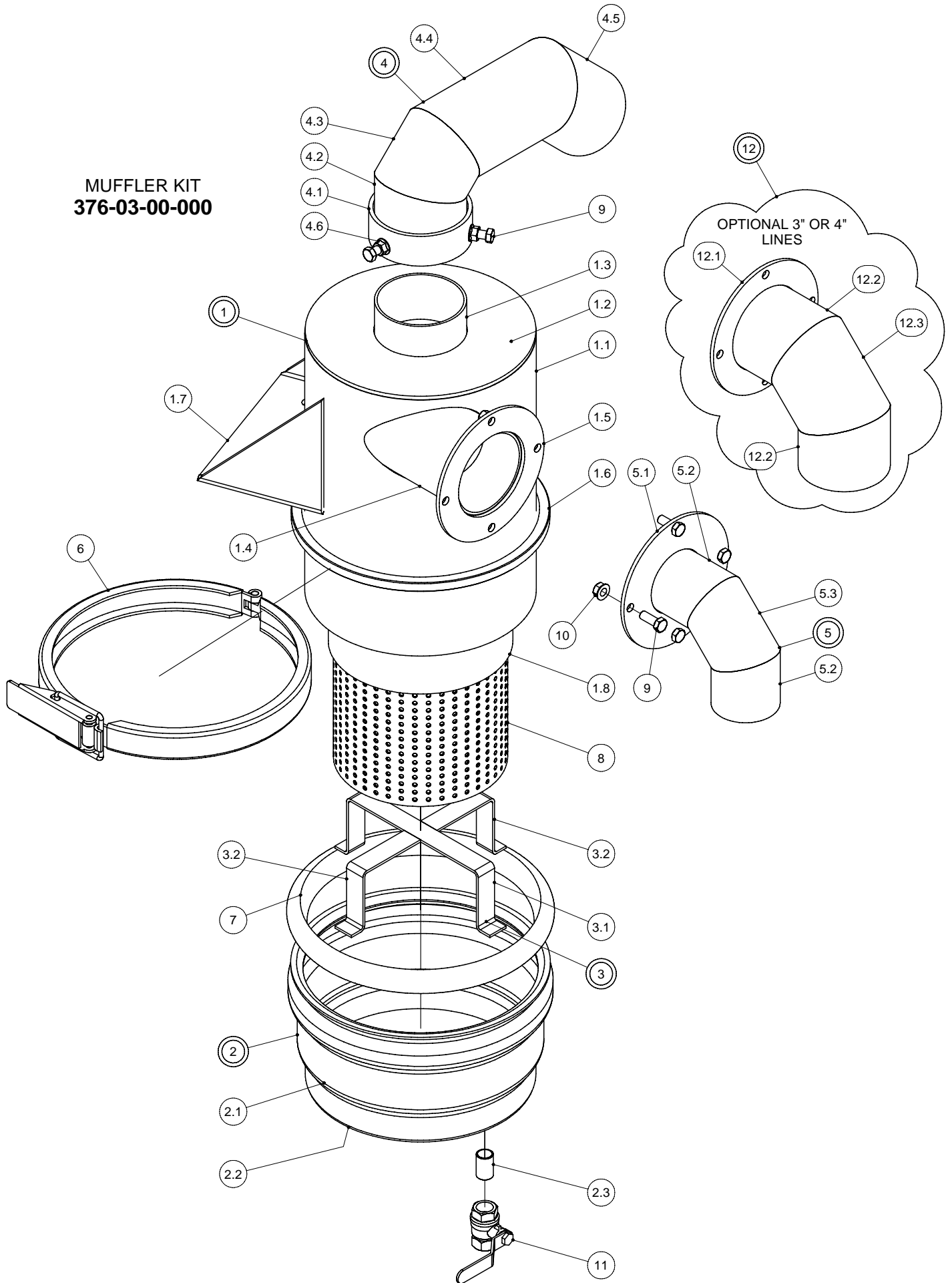


SECONDARY MOISTURE TRAP COMPLETE

PARTS LIST			
ITEM	PART NUMBER	DESCRIPTION	QTY
1	368-26-22-000	SECONDARY MOISTURE TRAP ASSY	1
1.1	368-26-22-119	SECONDARY TRAP TUBE	1
1.2	368-26-22-120	SECONDARY TRAP LID	1
1.3	368-26-22-121	FLANGE	1
1.4	R02063	1 1/2" COUPLING	1
1.5	368-26-22-128	MOISTURE TRAP BRKT	1
1.6	368-26-22-273	SECONDARY TRAP BAFFLE	1
1.7	R02448	3" WELD ELBOW	3
1.8	368-26-22-123	ELBOW EXTENSION TUBE	1
1.9	368-25-20-110	SEAT HOLDER	1
1.10	368-25-20-114	HALF BARBED CONNECTOR	2
1.11	368-26-22-122	SECONDARY INNER TUBE	1
2	368-26-01-000	COVER PLATE ASSY	1
2.1	R02127	1 1/2 CLOSE NIPPLE	1
2.2	368-26-01-444	COVER PLATE	1
3	R09857	RUBBER VALVE SEAT	1
4	R09856	STAINLESS STEEL BALL	1
5	R09910	PRESSURE RELIEF VALVE	1
6	R09833	PRESSURE VACUUM GAUGE	1
7	368-00-00-068	3" PRESSURE VACUUM HOSE - SHORT	1
8	R02480	3" BAUER SUPER CLAMP	4
9	368-00-00-067	3" PRESSURE VACUUM HOSE LONG 12 & 14000L	1
	367-00-00-151	3" PRESSURE VACUUM HOSE LONG 9000L	1
	366-00-00-150	3" PRESSURE VACUUM HOSE LONG 7000L	1
	365-00-00-206	3" PRESSURE VACUUM HOSE LONG 5800L	1
10	R09733	VAC. PUMP INSTRUCTIONS DECAL	1
11	R02453	1 1/2" COMBINATION NIPPLE	1
12	368-00-00-070	DRAIN HOSE - 7000L & UP	1
	365-00-00-207	DRAIN HOSE - 5800L	1
13	R02232	1 1/2" GEAR CLAMP	1
14	R02455	1 1/2 NPT Ball Valve	1
15	R07638	1/2 x 1 1/2 UNC HEX BOLT	3
16	R07805	1/2" LOCK WASHER	3
17	R07785	1/2-13 UNC HEX NUT	3
18	R07783	3/8-16 UNC HEX NUT	8
19	R07619	3/8 x 1 UNC HEX BOLT	8
20	R07803	3/8" LOCK WASHER	8

MUFFLER KIT

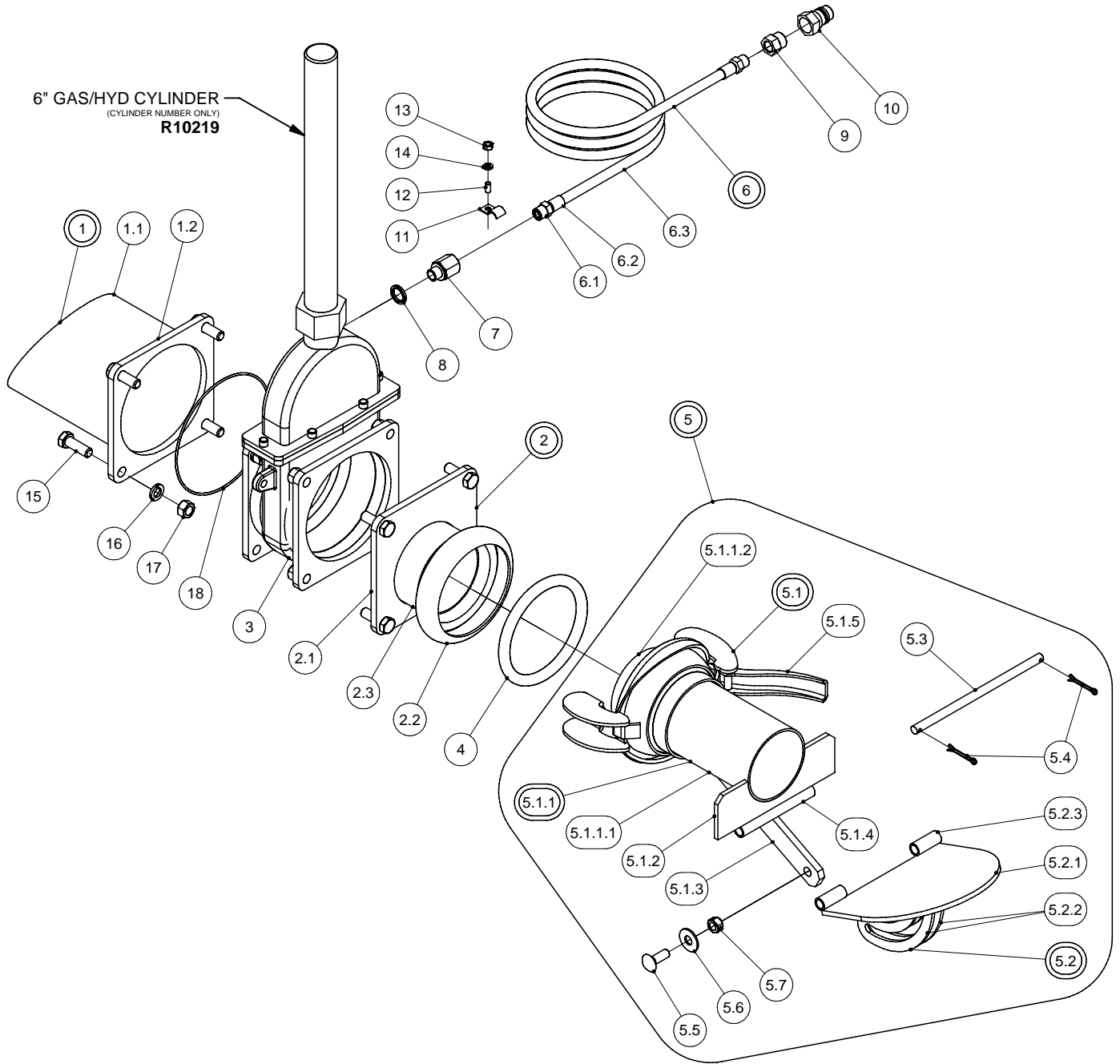
MUFFLER KIT
376-03-00-000



MUFFLER KIT

PARTS LIST			
ITEM	PART NUMBER	DESCRIPTION	QTY
1	376-03-01-000	UPPER CAN ASSY	1
1.1	368-59-01-456	UPPER CAN	1
1.2	368-59-01-457	UPPER CAN TOP	1
1.3	368-59-01-455	ELBOW EXTENSION TUBE	1
1.4	368-59-47-263	4" SIDE INLET	1
1.5	368-59-47-440	4" MUFFLER FLANGE	1
1.6	286-00-00-059	RING FOR STEEL ELBOW	1
1.7	368-59-01-492	MUFFLER BRKT	1
1.8	376-03-01-510	INNER MESH TUBE	1
2	368-59-03-000	BOTTOM CAN ASSY	1
2.1	R02499	10" FEMALE CIRCLOCK COUPLING	1
2.2	368-59-03-454	BOTTOM CAP	1
2.3	R02123	1/2" CLOSE NIPPLE	1
3	376-03-02-000	STAND ASSY	1
3.1	376-03-02-511	SINGLE STAND	1
3.2	376-03-02-512	HALF STAND	2
4	368-59-06-000	PIPE ASSY	1
4.1	368-59-06-469	LOCK COLLAR	1
4.2	368-59-06-458	PIPE PC #1	1
4.3	368-59-06-459	PIPE PC #2	1
4.4	368-59-06-460	PIPE PC #3	1
4.5	368-59-06-461	PIPE PC #4	1
4.6	R07794	3/8-16 UNC FLANGE NUT	3
5	368-59-04-000	3" EXTENSION TUBE ASSY	1
5.1	368-59-04-462	3" MUFFLER FLANGE	1
5.2	368-59-04-463	3" EXTENSION TUBE	2
5.3	368-59-04-493	EXTENSION TUBE MID PC	1
6	R02500	10" BANDLOC CLAMP	1
7	R02852	10" CL GASKET	1
8	R00617	S.S.KNITTED WIRE MESH	1
9	R07619	3/8 x 1 UNC HEX BOLT	7
10	R07794	3/8-16 UNC FLANGE NUT	4
11	R02473	1/2 NPT Ball Valve	1
12	368-59-05-000	4" EXTENSION TUBE ASSY	1
12.1	368-59-47-440	4" MUFFLER FLANGE	1
12.2	368-59-05-464	4" EXTENSION TUBE	2
12.3	368-59-05-494	4" ELBOW MIDDLE PC	1

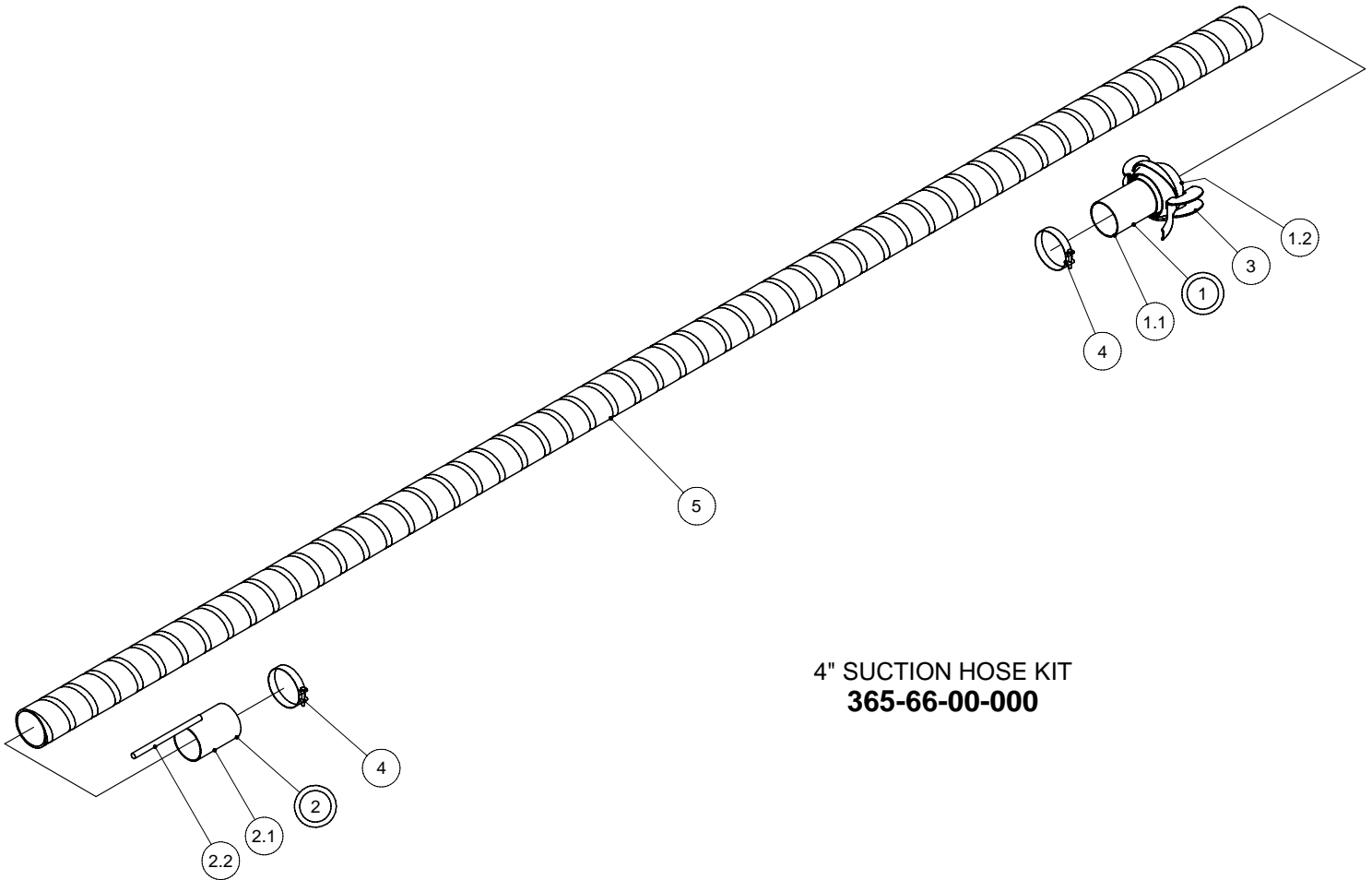
4" REAR DISCHARGE



4" REAR DISCHARGE

PARTS LIST			
ITEM	PART NUMBER	DESCRIPTION	QTY
1	368-01-73-000	6" REAR VALVE FLANGE ASSY	1
1.1	368-01-28-169	REAR EXTENSION NIPPLE	1
1.2	368-01-72-351	6" VALVE FLANGE	1
2	365-37-00-000	4"VALVE EXT W/BAUER SOCKET ASSY	1
2.1	365-39-00-611	4" VALVE OUTLET PLATE	1
2.2	R09892	BAUER HK102 SOCKET	1
2.3	365-37-00-646	4"VALVE EXT PIPE	1
3	R10427	6" HYD VALVE-FLANGED	1
4	R09895	BAUER HK102 O-RING	1
5	365-56-00-000	4" DISCHARGE CONE & SPLASH PLATE KIT	1
5.1	365-42-00-000	DISCHARGE CONE ASSY	1
5.1.1	365-42-35-000	BALL & CLAMP EXT PIPE ASSY	1
5.1.1.1	365-42-35-203	EXTENSION TUBE	1
5.1.1.2	R09894	BAUER HK102 BLK BALL	1
5.1.2	365-42-00-202	HINGE PLATE	1
5.1.3	368-10-00-056	SPLASH PLATE SUPPORT ARM	1
5.1.4	368-10-00-058	LONG HINGE PIPE	1
5.1.5	R09893	4" BAUER GALV. CLAMP	1
5.2	368-11-00-000	SPLASH PLATE ASSY	1
5.2.1	368-11-00-059	SPLASH PLATE	1
5.2.2	368-11-00-060	SPLASH PLATE ADJUSTMENT BAR	2
5.2.3	368-11-00-061	SHORT HINGE PIPE	2
5.3	368-00-00-062	HINGE PIN	1
5.4	R08001	5/32 x 1 1/2 STAINLESS STEEL COTTER PIN	2
5.5	R07774	7/16 x 1 1/4 UNC CARRIAGE BOLT	1
5.6	R07824	7/16" FLAT WASHER	1
5.7	R07891	7/16-14 UNC 2-WAY LOCK NUT	1
6	368-85-00-000	1/4" HYDRAULIC HOSE ASSY	1
6.1	R20803	3/8 - 16 NPT SOLID MALE STEM	2
6.2	R21231	STEEL FERRULE - 1/4"	2
6.3	368-37-00-160	HYDRAULIC HOSE	1
7	R22145	M18-1.5F x 3/8 NPT ADAPTER	1
8	R10405	GAS/HYD SEAL WASHER	1
9	R02043	BUSHING 1/2 x 3/8	1
10	R21342	1/2" MALE PIONEER TIP	1
11	R21104	HYD. HOSE CLIPS	4
12	R08301	1/4 x 20 UNC x 1/2" WELD STUD	4
13	R07781	1/4-20 UNC HEX NUT	4
14	R07801	1/4" LOCK WASHER	4
15	R07638	1/2 x 1 1/2 UNC HEX BOLT	8
16	R07805	1/2" LOCK WASHER	8
17	R07785	1/2-13 UNC HEX NUT	8
18	R10374	6" FLANGE "O" RING	1

4" SUCTION HOSE KIT

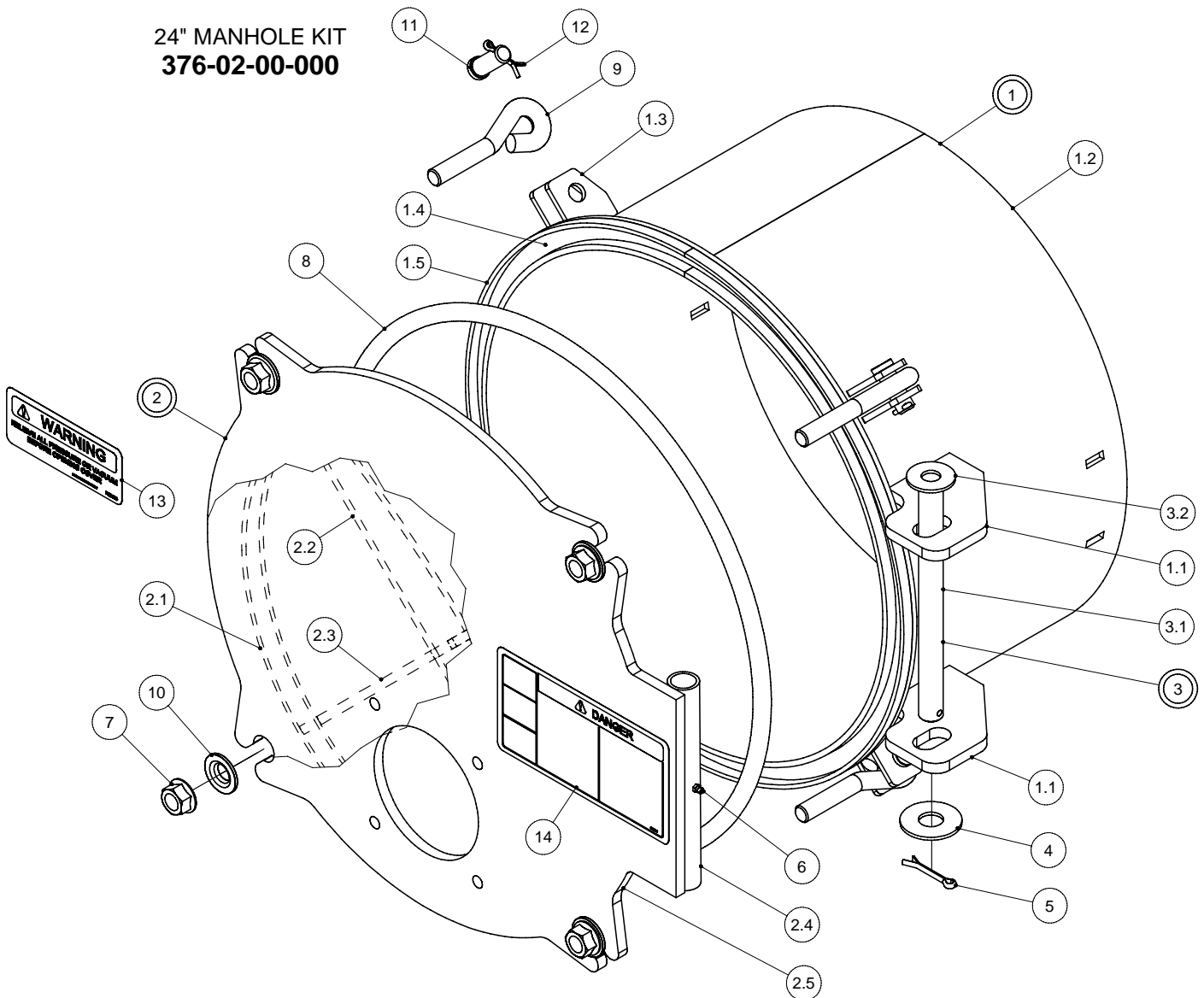


4" SUCTION HOSE KIT
365-66-00-000

PARTS LIST			
ITEM	PART NUMBER	DESCRIPTION	QTY
1	365-42-35-000	BALL & CLAMP EXT PIPE ASSY	1
1.1	365-42-35-203	EXTENSION TUBE	1
1.2	R09894	BAUER HK102 BLK BALL	1
2	365-43-00-000	SUCTION HOSE BASE PIPE ASSY	1
2.1	365-42-35-203	EXTENSION TUBE	1
2.2	368-12-00-065	REINFORCING BARS	1
3	R09893	4" BAUER GALV. CLAMP	1
4	R02481	4" CLAMP	2
5	365-00-00-204	4" SUCTION HOSE	1

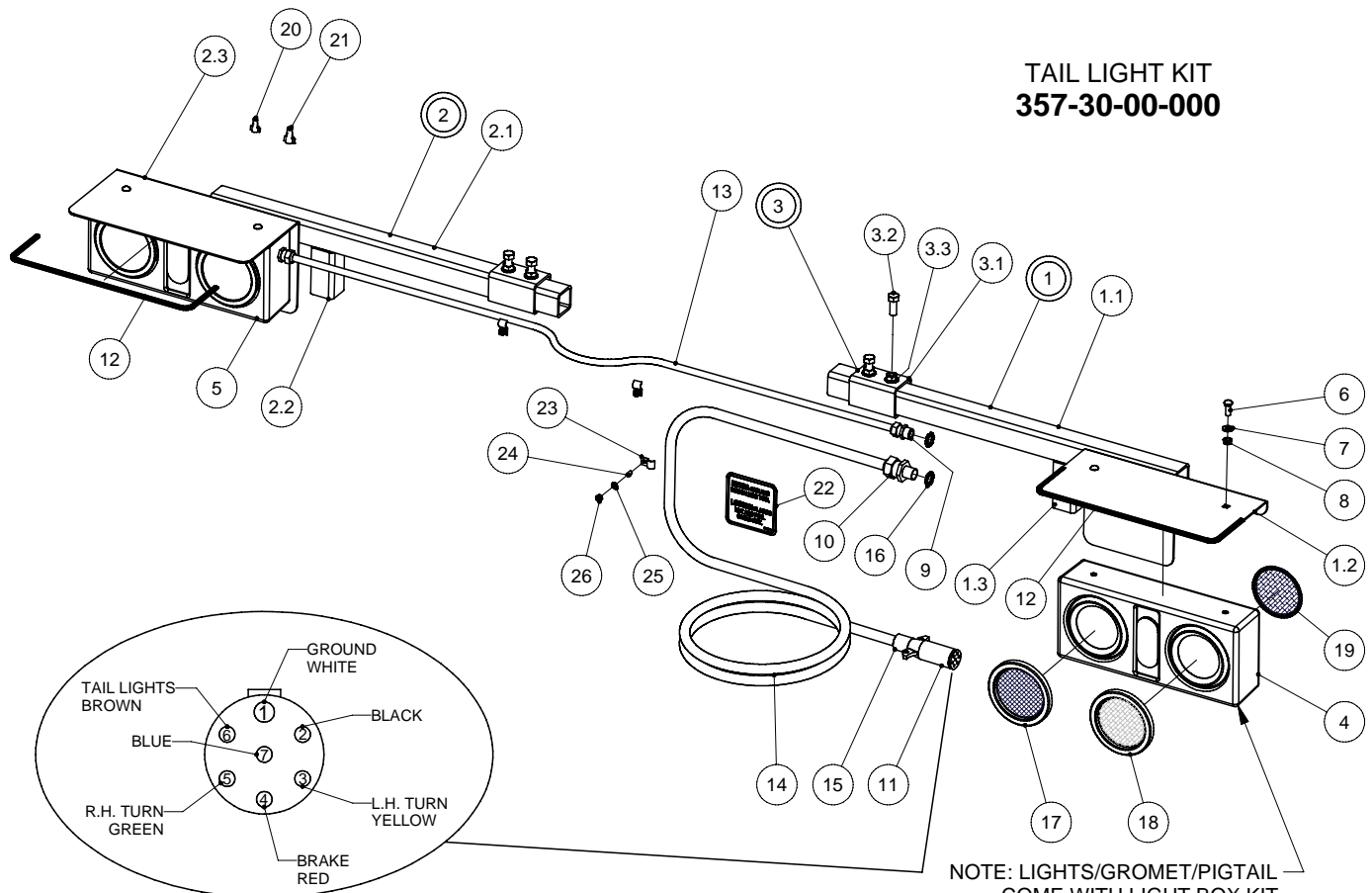
24" MANHOLE KIT

PARTS LIST				PARTS LIST			
ITEM	PART NUMBER	DESCRIPTION	QTY	ITEM	PART NUMBER	DESCRIPTION	QTY
1	376-02-02-000	FLAT VACUUM HATCH MANHOLE ASSY	1	3.1	376-02-04-508	LID PIN	1
1.1	376-02-02-505	MANHOLE HINGE	2	3.2	R07827	3/4" FLAT WASHER	1
1.2	368-64-61-303	24" MANHOLE	1	4	R07828	1" FLAT WASHER	1
1.3	376-02-02-573	MANHOLE LUG	8	5	R08016	1/4 x 2 COTTER PIN	1
1.4	376-02-02-574	MANHOLE RING	1	6	R08183	1/4" - 28 STRAIGHT GREASE FITTING	1
1.5	376-02-02-575	OUTER RUBBER STOP	1	7	R08433	3/4-10 UNC FLANGE NUT	4
2	376-02-01-000	FLAT VACUUM HATCH LID ASSY	1	8	376-02-00-576	ROUND RUBBER SEAL	1
2.1	376-02-01-501	INNER RING	1	9	R08442	3/4" EYE BOLT	4
2.2	376-02-01-503	BOTTOM SUPPORT PLATE	1	10	376-02-00-577	MANWAY WASHER	4
2.3	376-02-01-502	TOP SUPPORT PLATE	1	11	R08443	EYE BOLT PIN	4
2.4	376-02-01-504	HATCH PIN SLEEVE	1	12	R08011	3/16 x 1 1/2 COTTER PIN	4
2.5	376-02-01-578	FLAT VACUUM HATCH LID	1	13	R09668	"RELIEVE ALL PRESSURE" DECAL	1
3	376-02-04-000	LID PIN ASSY	1	14	R10334	TOXIC GAS PICTORAL DECAL	1

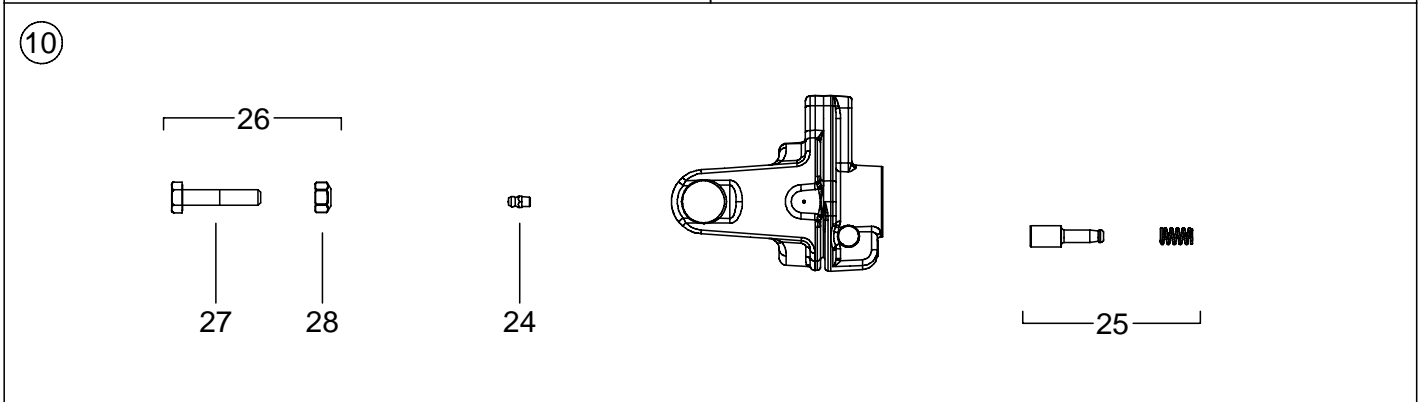
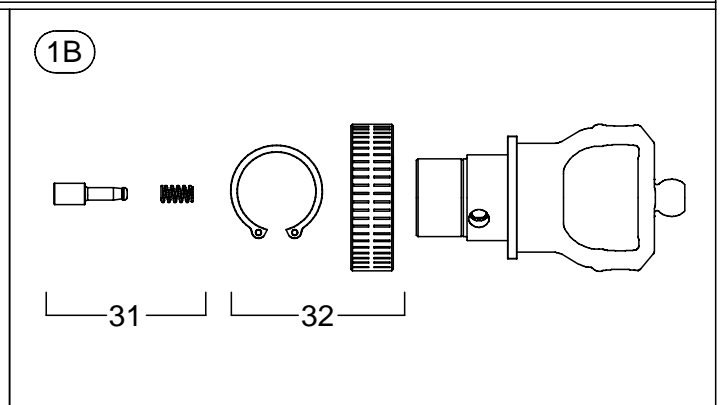
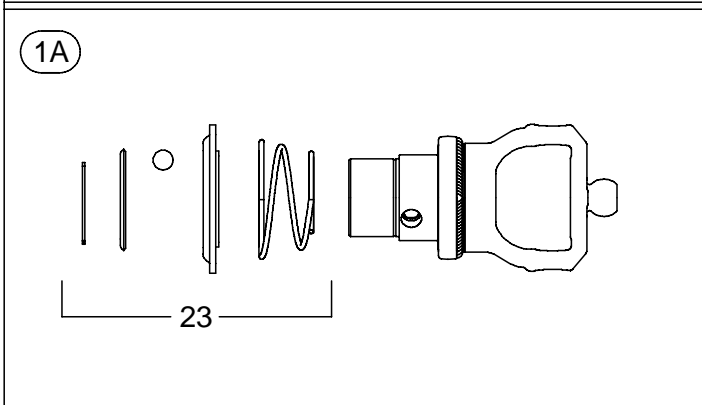
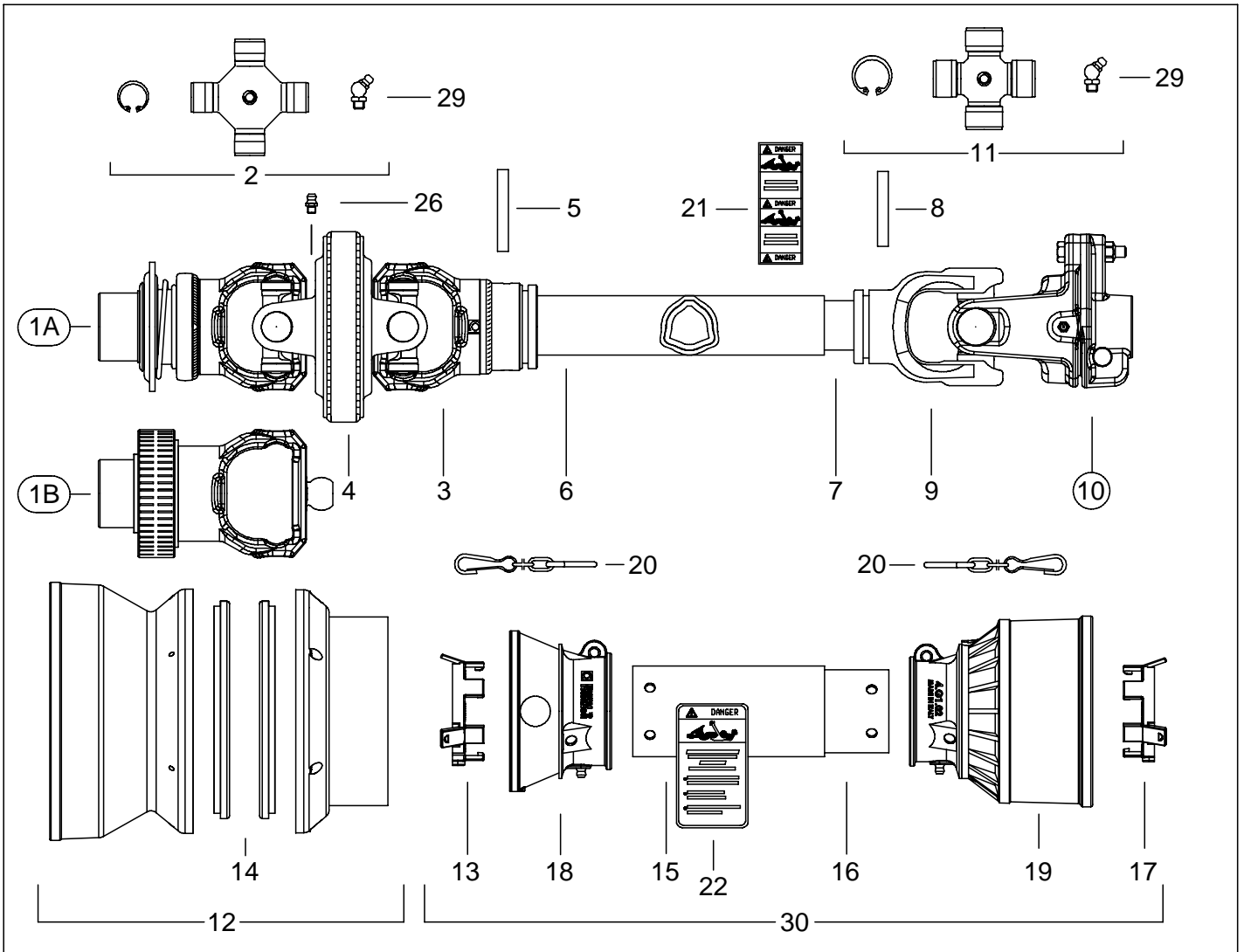


TAIL LIGHT KIT

PARTS LIST				PARTS LIST			
ITEM	PART NUMBER	DESCRIPTION	QTY	ITEM	PART NUMBER	DESCRIPTION	QTY
1	357-30-01-000	RH LIGHT BAR ASSY	1	10	R10357	3/4" NYLON TITE CONNECTOR	1
1.1	357-30-01-171	LIGHT BAR	1	11	R10095	7 POLE CONNECTOR	1
1.2	357-30-01-172	RH LITE BOLT PLATE	1	12	357-30-00-311	SAFETY EDGING	2
1.3	357-30-01-173	STUB BAR	1	13	R04046	4-WIRE TRAILER CABLE - APPROX. 4M	1
2	357-30-02-000	LH LIGHT BAR ASSY	1	14	R04235	14/6 TRAILER CABLE - APPROX. 10.5M	1
2.1	357-30-01-171	LIGHT BAR	1	15	R09636	RUBBER BOOT	1
2.2	357-30-01-173	STUB BAR	1	16	R10345	1/2" ELECTRICAL BOX LOCK NUT	3
2.3	357-30-02-245	LH LITE BOLT PLATE	1	17	R10087	RED LIGHT KIT	2
3	357-30-03-000	MOUNT BRKT ASSY	2	18	R10347	AMBER LIGHT KIT w/ CLEAR BACK	2
3.1	357-30-03-174	MOUNT BRKT	1	19	R10346	AMBER REPLACEMENT LENS	2
3.2	R07674	1/2 x 1 1/4 HEX BOLT	2	20	R04343	#451 YELLOW WING NUT CONNECTOR	8
3.3	R07795	1/2" UNC FLANGE NUT	2	21	R04422	#452 RED WING NUT CONNECTOR	2
4	R10349	RH LAMP BOX w/ 2 LAMPS	1	22	R09808	CABLE - LIGHT BOX DECAL	1
5	R10348	LH LAMP BOX w/ 2 LAMPS	1	23	R21104	HYD. HOSE CLIPS	12
6	R07721	3/8 x 1 CARRIAGE BOLT	4	24	R08301	1/4 x 20 UNC x 1/2" WELD STUD	12
7	R07823	3/8 FLAT WASHER	4	25	R07801	1/4" LOCK WASHER	12
8	R07794	3/8 FLANGE NUT	4	26	R07781	1/4-20 UNC HEX NUT	12
9	R10193	1/2" NYLON TITE CONNECTOR	2				



PTO - VACUUM



PTO - VACUUM

R21592 - 1 3/8" 6 TOOTH - 540 RPM

R21593 - 1 3/8" 21 TOOTH - 1000 RPM

R21585 - 1 3/4" 20 TOOTH - 1000 RPM

Table				
ITEM	MFG #	PART NUMBER	DESCRIPTION	QTY
1A		R22204	#4 1 3/8" CV YOKE-21T SLIDING COLLAR YOKE	1
		R22203	#4 1 3/8" CV YOKE-6T SLIDING COLLAR YOKE	1
1B	573043875	R21712	#4 1 3/4" CV YOKE-20T SLIDING COLLAR YOKE	1
2	4120440012	R21682	CROSS KIT	2
3	215046854	R21686	SHEAR YOKE	1
4	511040051	R21685	CENTRAL BODY	1
5	341038000	R21475	FLEXIBLE ROLL PIN - OUTER	1
6	225310630	R21689	CARDIN DRIVE TUBE - OUTER	1
7	245100630	R21690	CARDIN DRIVE TUBE - INNER	1
8	341048000	R21476	FLEXIBLE ROLL PIN - INNER	1
9	204046852	R21472	INNER TUBE YOKE	1
10	606404001	R21473	LB4/N4 1-3/8" Z6 1700NM PUSH PIN	1
11	41204	R21693	CROSS KIT #4 27x74.6	1
12	517048001	R21703	CONE KIT	1
13	255040005	R21696	SHIELD BEARING #3/4 OUTER	1
14	255040351	R21702	RING NUT DOWELS	2
15	236680577	R21698	OUTER TUBE	1
16	236670577	R21699	INNER TUBE	1
17	255040006	R21701	SHIELD BEARING #3/4 INNER	1
18	43500315R	R21485	CONE	1
19	517040061	R21700	SAFETY CONE	1
20	252000050R02	R21738	COMPLETE CHAIN	3
21	399143000	R21523	DANGER LABEL - OUTER DRIVE TUBE	1
22	399141000	R21521	DANGER/SHIELD LABEL	1
23	435000302R	R21673	BALL COLLAR KIT 1-3/8" 6T & 21T	1
24	348017000R20	R21687	GREASE FITTING M6x1 STRAIGHT	2
25	401000001	R21451	COMPLETE PUSH PIN 1-3/8" 6T	1
26	432000047R05	357-36-00-000	M8x1.25x45 SHEAR BOLT AND NUT - 5/PKG	1
27		R08251	M8x45 BOLT	1
28		R08252	M8 NUT	1
29	348004000	R21655	GREASE FITTING 45°	1
30	5F04121E1654	R22182	GUARD KIT	1
31	403000001	R21669	COMPLETE PUSH BUTTON - 1 3/4" - 20T	1
32	240080061	R21670	HUB - 1 3/4" - 20T	1