

Date Purchased _____ Machine Serial No. _____

Size of Spreader _____ Options _____

The key number system in this parts book is arranged as follows:

- ⊙ - Key numbers with two circles denotes main assemblies.
- - Key numbers with one circle are individual parts

Please order parts by number



12000L VACUUM SPREADER ▪ 368-00-00-000
14000L VACUUM SPREADER ▪ 369-00-00-000
15000L VACUUM SPREADER ▪ 376-00-00-000

OPERATING INSTRUCTIONS:

1. Heed all warnings.
2. Minimum HP requirements to safely operate on level terrain, on hilly terrain HP should be increased.

4500L	-----	70 HP
7000L	-----	85 HP
9000L	-----	95 HP
12000L	-----	110 HP
14000L	-----	130 HP
15000L	-----	140 HP
18000L	-----	160 HP
23000L	-----	200 HP
28000L	-----	250 HP

3. If machine is equipped with hydraulic brakes that are operated from the tractor hydraulics, they will not work should the tractor motor stop. Inspect brakes before each use. Brakes must be bled before initial use unless installed at factory. When releasing brakes the tractor hydraulic lever must be put in the opposing position to release pressure. Do not put in float position they will not release.
4. Tractor PTO spline must be approximately 14" (355mm) from end of compressed PTO for proper adjustment
5. Hitch tanker to tractor with minimum 1" (25mm) hardened hitch pin with a safety lock. Use 10,000 Lbs safety chain from spreader to tractor.
6. Do not use tongue stand to support loaded spreader. Put jack in storage position before using.
7. When hooking PTO to tractor make sure motor is stopped. Make sure QD (Quick Disconnect) safety locking pin is in locked position before using.
8. Clean off hose ends before plugging into tractor hydraulics. If spreader is equipped with hydraulic drive on spreading attachment, make sure tractor has sufficient oil flow and pressure to maintain satisfactory spread pattern, if not use another tractor.

OPERATING INSTRUCTIONS continued:

9. After using spreader in freezing conditions make sure impeller housing is drained.
10. Wash tank inside and out each time work is finished. This will increase the life of the tank by many years. See item 6 of Safety instructions
11. Do not drive on public roads after dusk unless equipped with lights required by Department of Transportation in your area.
12. Remove wheels annually and grease wheel bearings.
13. Because manure smells, many farmers have made unfriendly neighbours. If in a residential area a manure injector is a recommended option to bury the smell.
14. Much of the fertilizer value of manure is lost when exposed to air. Getting the manure covered quickly is a very important part of spreading manure.
15. If rustproof coating on interior shows signs of deterioration, have interior repainted. This can be done with a roller or brush. This helps to increase the life of your spreader. It is a valuable maintenance procedure.

SAFETY INSTRUCTIONS:

Do not operate this machine until you fully understand the safe operating practices.

1. Make sure all moving parts are shielded to prevent coming in contact with loose clothing.
2. Keep children clear; do not let children or any person(s) ride the spreader at anytime.
3. Do not support loaded spreader on tongue jack.
4. Keep tire pressure to recommended pressure at all times. Recommended tire pressure being:

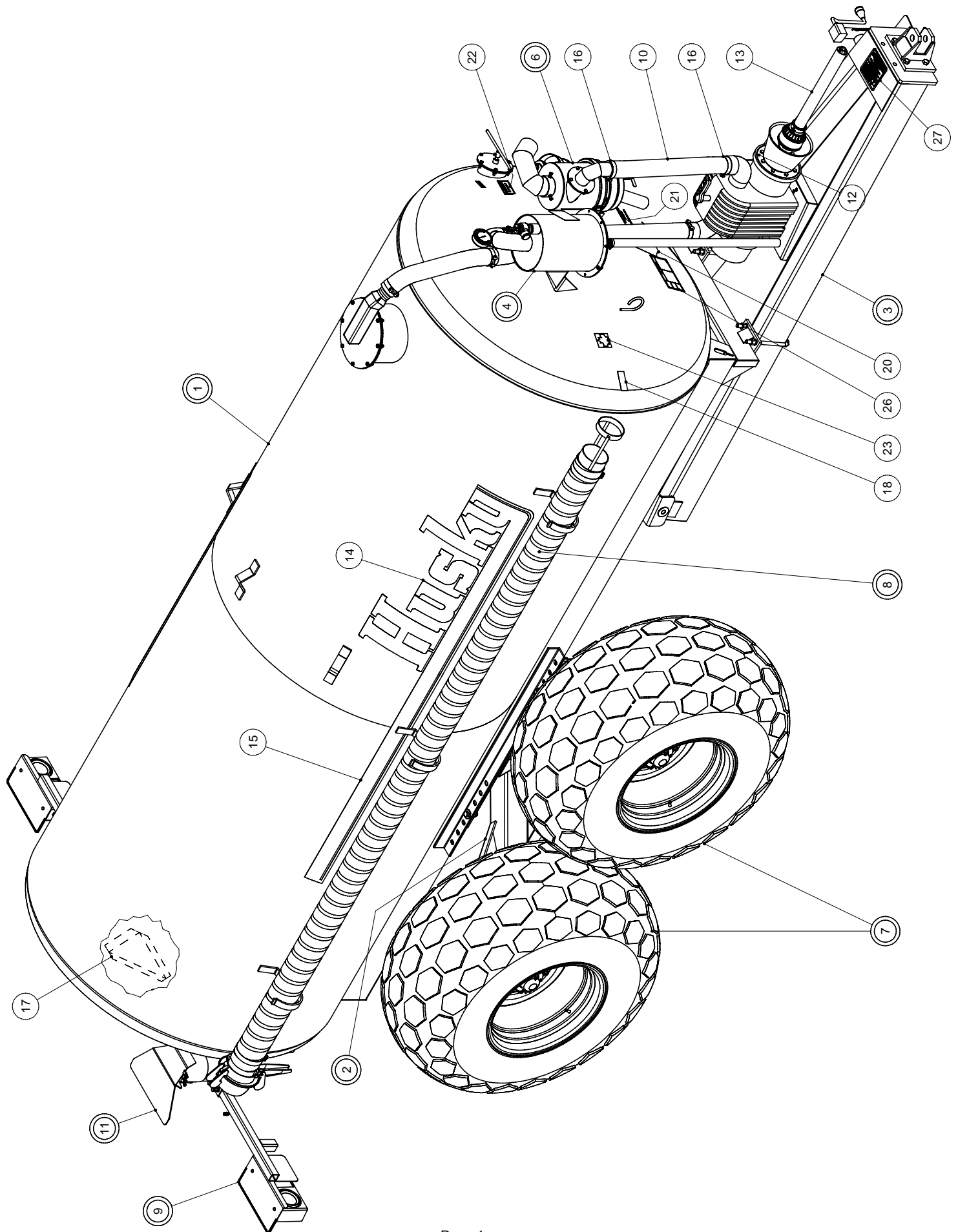
		Lbs	KPA
40 x 14	Airplane Tires	55	379
44 x 16	Airplane Tires	55	379
47 x 18 x 18	Airplane Tires	55	379
50 x 20 x 20	Airplane Tires	55	379
16.5L x 16.1	Implement Tires	35	241
21.5L x 16.1	Implement Tires	35	241
18.4L x 26	Turf Tires	30	207
23.1L x 26	Turf Tires	24	166
28L x 26	Turf Tires	24	166
30.54L x 32	Turf Tires	24	166
35.5L x 32	20 ply Turf Tires	32	220
18L x 22.5	Truck Tires	65	448
23.5L x 25	Loader Dozer Tires	55	379

5. Keep wheel bolts torqued to the recommended torque at all times. (Check Daily)

Wheel Bolt Size	Ft/Lbs Torque (Dry)	Ft/Lbs. - Oiled	Meter/Kg - Torque Dry	Meter/Kg - Oiled
9/16 – 18 NF GR. 5	120	90	16.59	12.44
5/8 – 18 NF GR. 8	240	180	33.18	24.89
3/4 – 16 NF GR. 8	420	310	58.07	42.86

6. Never enter a tanker without special breathing equipment to supply oxygen. Manure gases can kill instantly. One breath of Hydrogen Sulphide can kill.
7. When repairing hydraulic hoses, always relieve pressure in hose. Always wear safety glasses while working on spreader.
8. Caution – disc brakes will not release until valve lever is held momentarily in opposite position. This will relieve pressure in brake line. Do not put in float position, they will not release. (Rule does not apply to Husky Manure Spreaders equipped with a Knott Brake System)

12, 14 & 15000L TANK COMPLETE



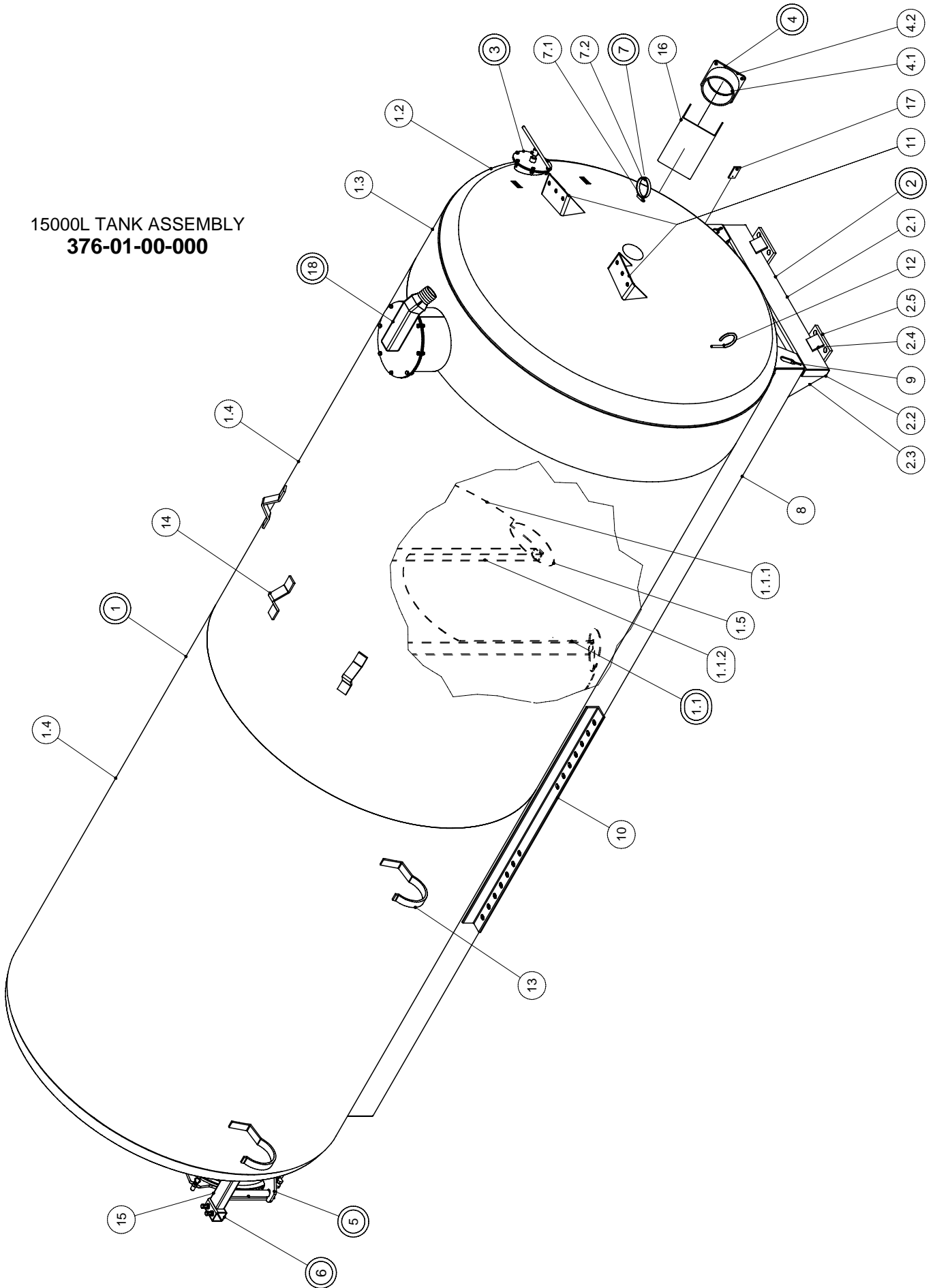
12, 14 & 15000L TANK COMPLETE

PARTS LIST			
ITEM	PART NUMBER	DESCRIPTION	QTY
1	376-01-00-000	15000L TANK & SILL ASSY	1
	369-19-00-000	14000L TANK & SILL ASSY	1
	368-01-00-000	12000L TANK & SILL ASSY	1
2	376-05-00-000	AXLE KIT-72" AND 78" Ø TANKS	1
	330-91-00-000	AXLE KIT	1
3	368-70-00-000	EXTENDED TONGUE KIT w/ MOTOR MOUNT	1
4	368-26-00-000	SECONDARY MOISTURE TRAP KIT	1
5	368-51-00-000	6" MANUAL VALVE WITH HANDLES (NOT SHOWN IN DWG - LOCATED AT FRONT LH SIDE OF TANK)	1
6	376-03-00-000	MUFFLER KIT(KNITTED MESH)	1
7	330-04-00-000	28L x 26 TIRE & WHEEL ASSY	4
	326-02-00-000	21.5L x 16 TIRE & WHEEL ASSY - 10PLY	4
	340-54-00-000	21.5L x 16 TIRE & WHEEL ASSY - 14PLY	4
8	368-39-00-000	15' SUCTION HOSE KIT	1
9	357-30-00-000	TAIL LIGHT KIT	1
10	368-00-00-328	INTAKE & EXHAUST HOSE	1
11	N/A	REAR DISCHARGE 'KIT'	1
12	N/A	VACUUM PUMP (NOT INCLUDED W/ SPREADER)	1
13	R21593	PTO - 1000 RPM	1
14	R09510	"HUSKY" DECAL	2
15	R09511	ACCENT STRIP	2
16	R02480	3" BAUER SUPER CLAMP	2
17	R09501	SLOW MOVING VEHICLE DECAL	1
18	R10096	RED REFLECTOR	2
19	R10097	AMBER REFLECTOR (LOCATED ON REAR OF TANK)	1
20	R09783	"CAUTION" DECAL	1
21	R09730	TORQUE, TIRE PRESSURE DECAL	1
22	R09512	CAPACITY DECAL	1
23	R09509	"MADE IN CANADA" DECAL - LARGE	1
24*	R09071	SERIAL NUMBER PLATE	1
25*	R08152	6 x 1/4 PAN HD SOCKET SCREW	2
26	R10334	TOXIC GAS PICTORAL DECAL	1
27	R09785	"DANGER ROTATING DRIVELINE" DECAL	1

* SERIAL # PLATE & 1/4" SOCKET SCREWS ARE LOCATED AT THE FRONT OF THE LEFT SILL

15000L TANK ASSY

15000L TANK ASSEMBLY
376-01-00-000



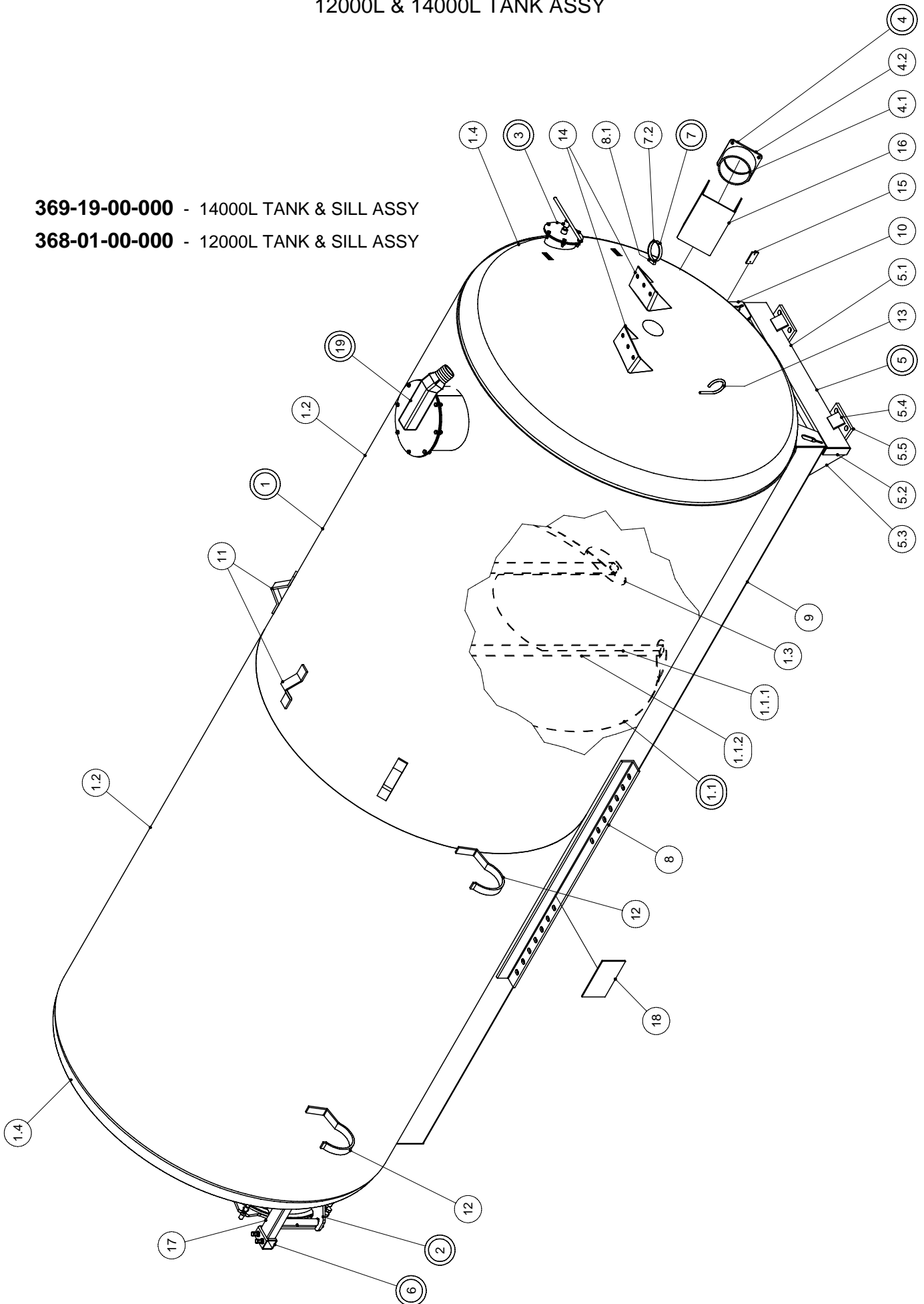
15000L TANK ASSY

PARTS LIST			
ITEM	PART NUMBER	DESCRIPTION	QTY
1	376-01-02-000	15000L TANK ASSY	1
1.1	368-01-09-000	72" DIA BAFFLE ASSY	2
1.1.1	368-01-01-010	12 & 14000L BAFFLE - 72" DIA TANK	1
1.1.2	368-01-09-661	72" DIA BAFFLE REINFORCING TUBE	2
1.2	R09826	72" OD F & D HEAD 1/4PL	2
1.3	376-01-02-497	15000L SHORT SHELL	1
1.4	369-19-12-080	14000L TANK SHELL	2
1.5	340-01-01-559	OVAL REINFORCING PLATE	4
2	368-71-00-000	CROSS MEMBER ASSY	1
2.1	368-71-00-428	CROSS MEMBER - EXTENDED TONGUE	1
2.2	368-71-00-429	END CAP	2
2.3	368-71-00-430	CROSS MEMBER GUSSET	2
2.4	364-02-17-123	TONGE STRAP GUSSET	2
2.5	364-02-17-122	TONGUE STRAP	2
3	330-20-00-000	SITE GAUGE KIT	1
4	368-01-72-000	6" VALVE FLANGE ASSY	1
4.1	368-01-27-168	SIDE VALVE NIPPLE	1
4.2	368-01-72-351	6" VALVE FLANGE	1
5	376-02-00-000	FLAT VACUUM HATCH COMPLETE-24"	1
6	357-30-03-000	MOUNT BRKT ASSY	2
7	368-01-59-000	PTO HOLDER	1
7.1	438-01-03-003	SPACER	1
7.2	364-41-00-132	PTO HOLDER	1
8	376-01-00-498	15000L SILL	2
9	368-01-00-177	12&14000L SILL CAP	4
10	364-02-00-280	AXLE ADJUSTMENT ANGLE	2
11	368-01-00-007	MOISTURE TRAP TANK BRKT	2
12	315-30-00-108	HYD. HOSE HOOK	1
13	368-01-00-001	6" SUCTION PIPE HOLDER	3
14	300-01-00-012	TANK LIFT HOOK	3
15	357-30-00-312	LIGHT BRKT EXTENDER TUBE	2
16	368-01-00-234	DEFLECTOR PLATE	1
17	340-01-00-498	SERIAL NO. BACK PLATE	1
18	376-08-00-000	TOP INLET PRIMARY TRAP KIT	1

12000L & 14000L TANK ASSY

369-19-00-000 - 14000L TANK & SILL ASSY

368-01-00-000 - 12000L TANK & SILL ASSY



12000L & 14000L TANK ASSY

369-19-00-000 - 14000L TANK & SILL ASSY

368-01-00-000 - 12000L TANK & SILL ASSY

PARTS LIST			
ITEM	PART NUMBER	DESCRIPTION	QTY
1	368-01-01-000	12000L TANK ASSY	1*
1	369-19-12-000	14000L TANK ASSY	1~
1.1	368-01-09-000	72" DIA BAFFLE ASSY	2
1.1.1	368-01-01-010	12 & 14000L BAFFLE - 72" DIA TANK	1
1.1.2	368-01-09-661	72" DIA BAFFLE REINFORCING TUBE	2
1.2	369-19-12-080	14000L TANK SHELL	2~
1.3	340-01-01-559	OVAL REINFORCING PLATE	4
	368-01-01-008	12000L TANK SHELL	1*
	368-01-01-009	12000L TANK SHELL	1*
1.4	R09826	72" OD F & D HEAD 1/4PL	2
2	376-02-00-000	FLAT VACUUM HATCH COMPLETE-24"	1
3	330-20-00-000	SITE GAUGE KIT	1
4	368-01-72-000	6" VALVE FLANGE ASSY	1
4.1	368-01-27-168	SIDE VALVE NIPPLE	1
4.2	368-01-72-351	6" VALVE FLANGE	1
5	368-71-00-000	CROSS MEMBER ASSY	1
5.1	368-71-00-428	CROSS MEMBER - EXTENDED TONGUE	1
5.2	368-71-00-429	END CAP	2
5.3	368-71-00-430	CROSS MEMBER GUSSET	2
5.4	364-02-17-123	TONGE STRAP GUSSET	2
5.5	364-02-17-122	TONGUE STRAP	2
6	357-30-03-000	MOUNT BRKT ASSY	2
7	368-01-59-000	PTO HOLDER	1
8.1	438-01-03-003	SPACER	1
7.2	364-41-00-132	PTO HOLDER	1
8	364-02-00-280	AXLE ADJUSTMENT ANGLE	2
9	369-19-00-079	14000L SILL	2~
	368-01-00-046	12000L SILL	2*
10	368-01-00-177	12&14000L SILL CAP	4
11	300-01-00-012	TANK LIFT HOOK	3
12	368-01-00-001	6" SUCTION PIPE HOLDER	3
13	315-30-00-108	HYD. HOSE HOOK	1
14	368-01-00-007	MOISTURE TRAP TANK BRKT	2
15	340-01-00-498	SERIAL NO. BACK PLATE	1
16	368-01-00-234	DEFLECTOR PLATE	1
17	357-30-00-312	LIGHT BRKT EXTENDER TUBE	2
18	330-00-00-545	SILL REINFORCING PC. SMALL	2
19	376-08-00-000	TOP INLET PRIMARY TRAP KIT	1

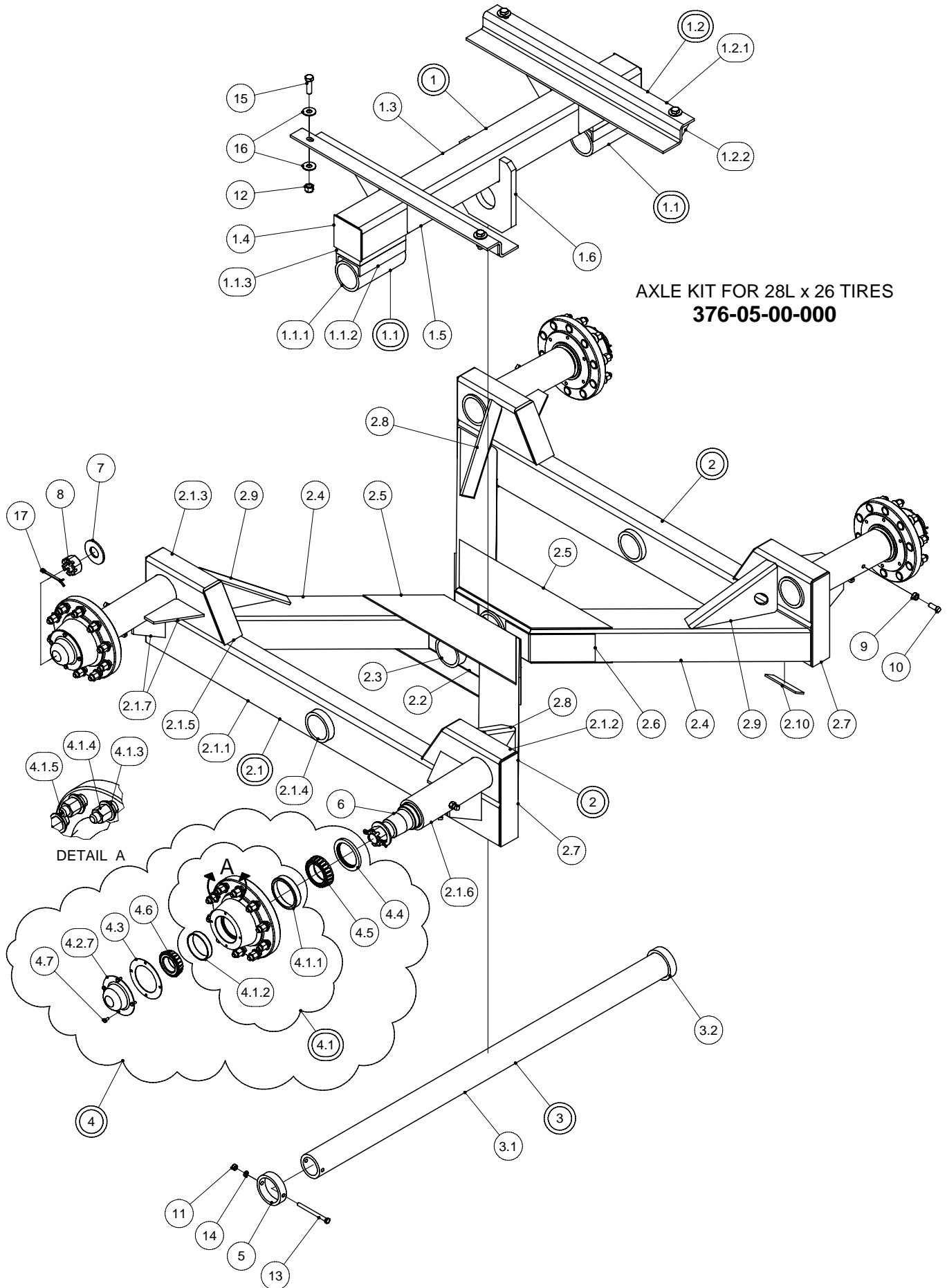
~ 14000L TANK ONLY

* 12000L TANK ONLY

** 14000L TANK CONTAINS 2 BAFFLES WITH 4 REINFORCING ANGLES

12000L TANK CONTAINS 1 BAFFLE WITH 2 REINFORCING ANGLES

12000L THRU 15000L VACUUM AXLE KIT
FOR 28L x 26 TIRES

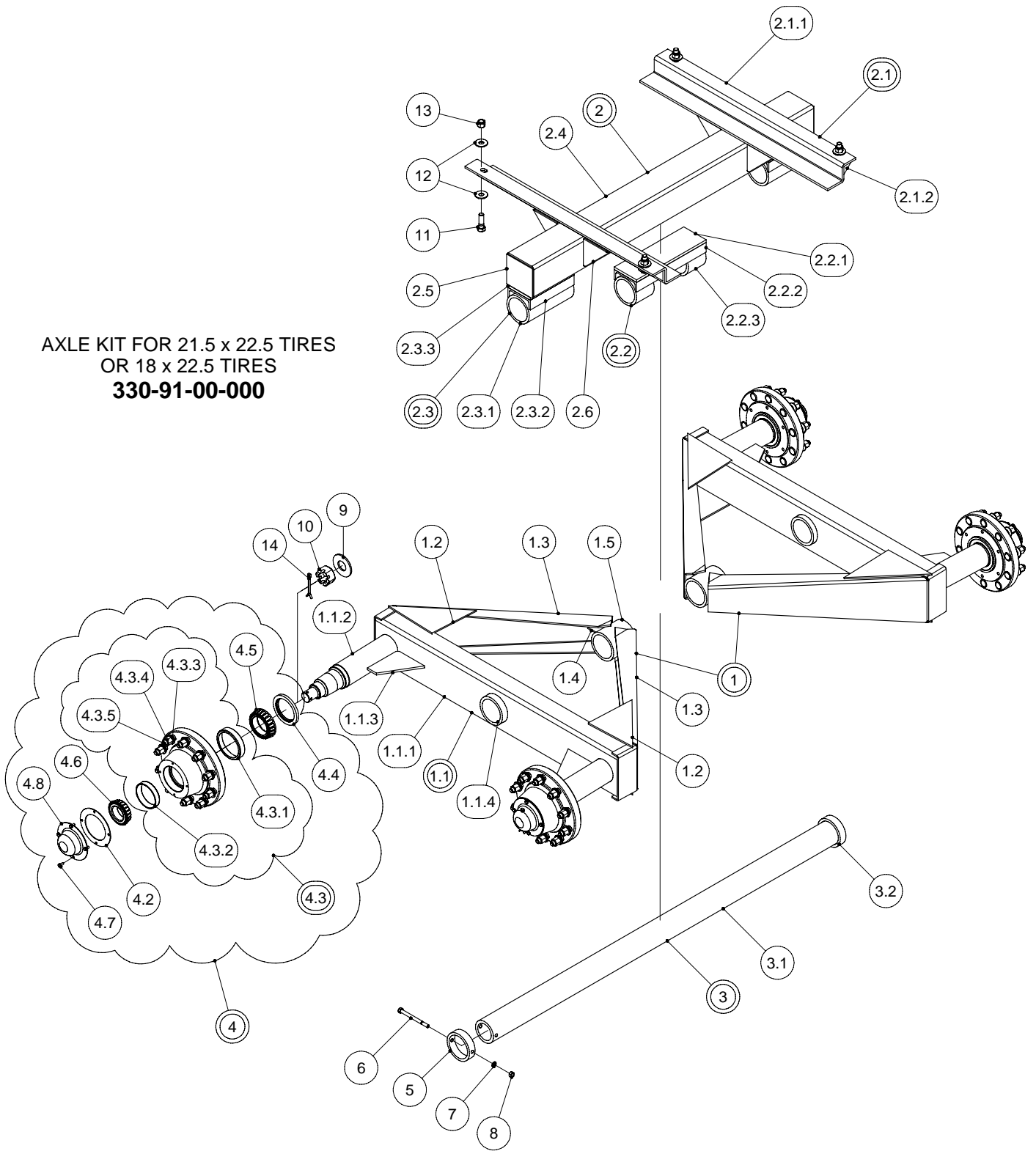


**12000L THRU 15000L VACUUM AXLE KIT
FOR 28L x 26 TIRES**

PARTS LIST				PARTS LIST			
ITEM	PART NUMBER	DESCRIPTION	QTY	ITEM	PART NUMBER	DESCRIPTION	QTY
1	376-05-01-000	BASE FRAME ASSY-72"Ø VAC & 78"Ø 'E'	1	3	376-05-02-000	MAIN AXLE TUBE ASSY	1
1.1	359-77-04-000	OUTER SLEEVE ASSY	2	3.1	376-05-02-541	MAIN AXLE TUBE	1
1.1.1	315-35-00-130	STATIONARY SLEEVE	1	3.2	330-08-00-528	STOP RING	1
1.1.2	325-62-18-240	LONG CHANNEL SPACER	1	4	340-43-00-000	16000LB HUB COMPLETE	4
1.1.3	359-77-04-518	OUTER SPACER BAR	1	4.1	340-43-00-451	16000LB HUB w/ CUPS	1
1.2	330-69-01-000	SILL "Z" PLATE ASSY	2	4.1.1	R20088	47620 INNER CUP	1
1.2.1	358-85-00-253	SILL "Z" PLATE	1	4.1.2	R20089	39520 OUTER CUP	1
1.2.2	330-69-00-550	GUSSET	2	4.1.3	R20152	3/4" SPHERICAL WASHER	10
1.3	376-05-01-539	CROSS AXLE TUBE (28L x 26 TIRES)	1	4.1.4	R07820	3/4" FED. HIGH HEX NUT	10
1.4	325-62-00-238	COVER PLATE	2	4.1.5	R20096	3/4" WHEEL BOLTS	10
1.5	315-31-00-116	DOUBLE GUSSET	4	4.2	R20093	16000LB DUST CAP w/ FTG.	1
1.6	376-05-01-540	CENTER SPACER BLOCK	1	4.3	R20084	DUST CAP GASKET. 10 BOLT	1
2	359-77-02-000	TANDEM SIDE ASSY	2	4.4	R20083	CR-38730 HUB SEAL	1
2.1	359-77-01-000	WALKING BEAM ASSY	1	4.5	R20086	476871 3 1/4" INNER CONE	1
2.1.1	330-03-42-505	WALKING BEAM (28L x 26 TIRES)	1	4.6	R20087	39585 2 1/2" OUTER CONE	1
2.1.2	364-70-01-390	SPINDLE SLEEVE HOLDER	1	4.7	R07690	5/16 x 5/8 UNC HEX BOLT	4
2.1.3	364-70-01-391	SPINDLE SLEEVE HOLDER	1	5	315-00-00-137	RETAINING RING	1
2.1.4	315-33-00-127	OUTER ROCKER SLEEVE	1	6	340-00-00-347	16000 SPINDLE	4
2.1.5	330-03-42-512	ANGLED END CAP	2	7	340-00-00-556	1 13/16 SPINDLE WASHER	4
2.1.6	364-70-01-392	SPINDLE SLEEVE	2	8	R20092	1 3/4 - 12 UNF SPINDLE NUT	4
2.1.7	330-91-36-486	SPINDLE GUSSET	4	9	R07786	5/8-11 UNC HEX NUT	8
2.2	359-77-02-510	MIDDLE CONNECTOR TUBE	1	10	R07927	5/8 x 1 1/2 UNC SQ HD SETSCREW	8
2.3	358-83-01-235	WALKER SLEEVE	1	11	R07785	1/2-13 UNC HEX NUT	1
2.4	359-77-02-512	TANDEM SIDE ARM	2	12	R07878	3/4 UNC NYLOCK NUT	4
2.5	359-77-02-513	REINFORCING PLATE	2	13	R07645	1/2 x 6 UNC HEX BOLT	1
2.6	359-77-02-514	TIE PLATE	2	14	R07805	1/2" LOCK WASHER	1
2.7	359-77-02-511	END CAP	2	15	R07655	3/4 x 2 1/2 UNC HEX BOLT	4
2.8	359-77-02-515	SIDE ARM GUSSET-REAR	1	16	R07827	3/4" FLAT WASHER	8
2.9	359-77-02-516	SIDE ARM GUSSET-FRONT	1	17	R20095	5/16" x 4" COTTER PIN	4
2.10	359-77-02-517	BOTTOM GUSSET	2				

12000L THRU 15000L STRAIGHT AXLE KIT

AXLE KIT FOR 21.5 x 22.5 TIRES
OR 18 x 22.5 TIRES
330-91-00-000



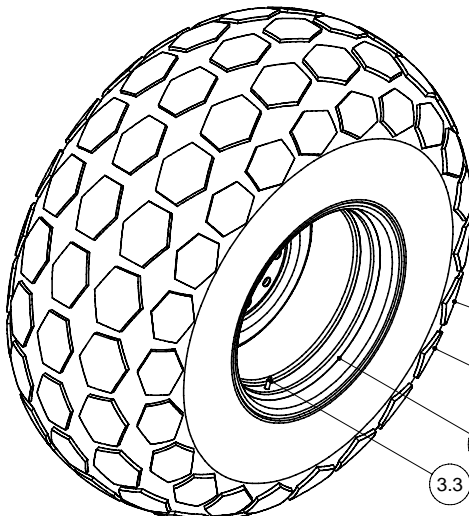
12000L THRU 15000L STRAIGHT AXLE KIT

PARTS LIST				PARTS LIST			
ITEM	PART NUMBER	DESCRIPTION	QTY	ITEM	PART NUMBER	DESCRIPTION	QTY
1	330-91-44-000	TANDEM SIDE ASSY	2	3	330-08-00-000	MAIN AXLE TUBE ASSY	1
1.1	330-91-36-000	WALKING BEAM ASSY w/ WELDED SPINDLE	1	3.1	330-08-00-527	MAIN AXLE TUBE	1
				3.2	330-08-00-528	STOP RING	1
1.1.1	325-63-00-245	WALKING BEAM	1	4	340-43-00-000	16000LB DUCTILE TURN DOWN HUB KIT	4
1.1.2	330-91-36-485	16000LB WELD IN SPINDLE	2				
1.1.3	330-91-36-486	SPINDLE GUSSET	2	4.2	R20084	DUST CAP GASKET. 10 BOLT	1
1.1.4	315-33-00-127	OUTER ROCKER SLEEVE	1	4.3	340-43-00-451	16000LB HUB w/ CUPS	1
1.2	330-91-44-526	GUSSET	4	4.3.1	R20088	47620 INNER CUP	1
1.3	325-63-00-246	TANDEM SIDE ARM	2	4.3.2	R20089	39520 OUTER CUP	1
1.4	325-63-00-244	TANDEM GUSSET	2	4.3.3	R20152	3/4" SPHERICAL WASHER	10
1.5	325-63-00-247	INSIDE ROCKER SLEEVE	1	4.3.4	R07820	3/4" FED. HIGH HEX NUT	10
2	330-69-00-000	BASE FRAME ASSY - 21.5 & 22.5 TIRES	1	4.3.5	R20096	3/4" WHEEL BOLTS	10
				4.4	R20083	CR-38730 HUB SEAL	1
2.1	330-69-01-000	SILL "Z" PLATE ASSY	2	4.5	R20086	476871 3 1/4" INNER CONE	1
2.1.1	358-85-00-253	SILL "Z" PLATE	1	4.6	R20087	39585 2 1/2" OUTER CONE	1
2.1.2	330-69-00-550	GUSSET	2	4.7	R07690	5/16 x 5/8 UNC HEX BOLT	4
2.2	330-69-22-000	CENTER SLEEVE ASSY	1	4.8	R20093	DUST CAP - 16000 LB HUB	1
2.2.1	330-69-22-262	CENTRE SLEEVE SPACER	1	5	315-00-00-137	RETAINING RING	1
2.2.2	330-69-22-263	CENTER CHANNEL SPACER	1	6	R07645	1/2 X 6 HEX BOLT	1
2.2.3	330-69-22-264	CENTRE SLEEVE	2	7	R07805	1/2 LOCK WASHER	1
2.3	325-62-18-000	STATIONARY SLEEVE ASSY	2	8	R07785	1/2 HEX NUT	1
2.3.1	315-35-00-130	STATIONARY SLEEVE	1	9	340-00-00-556	1 13/16 SPINDLE WASHER	4
2.3.2	325-62-18-240	LONG CHANNEL SPACER	1	10	R20092	1 3/4 - 12 UNF SPINDLE NUT	4
2.3.3	325-62-18-239	LONG BAR SPACER	1	11	R07655	3/4 x 2 1/2 HEX BOLT	4
2.4	330-69-00-261	CROSS AXLE SUPPORT	1	12	R07827	3/4" FLAT WASHER	8
2.5	325-62-00-238	COVER PLATE	2	13	R07878	3/4 NYLOCK NUT	4
2.6	315-31-00-116	DOUBLE GUSSET	4	14	R20095	5/16" x 4" COTTER PIN	4

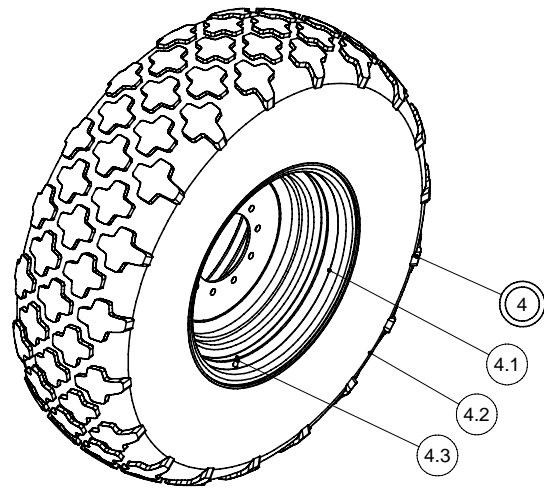
12000L THRU 15000L TIRES

PARTS LIST				PARTS LIST			
ITEM	PART NUMBER	DESCRIPTION	QTY	ITEM	PART NUMBER	DESCRIPTION	QTY
1	340-19-00-000	18 x 22.5 USED TRUCK TIRE & WHEEL 10 BOLT	4	3	330-04-00-000	28L x 26 TIRE & WHEEL ASSY	4
				3.1	R20040	28L x 26 - 16000lb RIM	1
1.1	R20059	10 BOLT WHEEL 13.5 x 22.5	1	3.2	R20015	28L x 26 TURF TIRE	1
1.2	R20011	18 x 22.5 USED TRUCK TIRE	1	3.3	R20161	VALVE STEM	1
1.3	R20050	VALVE STEM FOR TRUCK TIRE	1	4	340-68-00-000	18.4 X 26 TIRE & WHEEL ASSY	4
2	326-02-00-000	21.5 x 16.1 10 PLY T&W 10 BOLT	*	4.1	R20075	16" x 26" 10 BOLT WHEEL	1
2	340-54-00-000	21.5 x 16.1 14 PLY T&W 10 BOLT	4	4.2	R20100	18.4" x 26" 10 PLY TBLS TIRE	1
2.1	R20056	RIM FOR 21.5 TIRE - 10 BOLT	1	4.3	R20161	VALVE STEM	1
2.2	R20014	21.5 x 16.1 14 PLY IMPLEMENT TIRE	1	5	359-80-00-000	TIRE & WHEEL ASSY - 700/50x26.5	4
	R20005	21.5 x 16.1 10 PLY IMPLEMENT TIRE	*	5.1	R22555	24 x 26.5 10-11.25 WHEEL	1
2.3	R20020	VALVE STEM	1	5.2	R22554	700/50x26.5 TBLS TIRE	1
				5.3	R20161	VALVE STEM	1

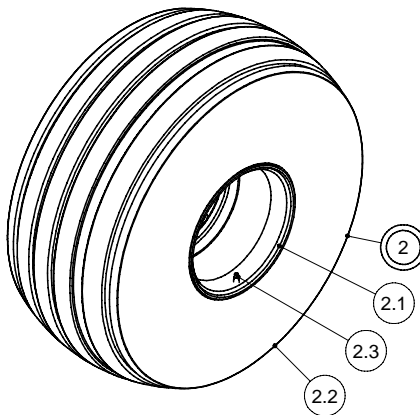
* OPTIONAL



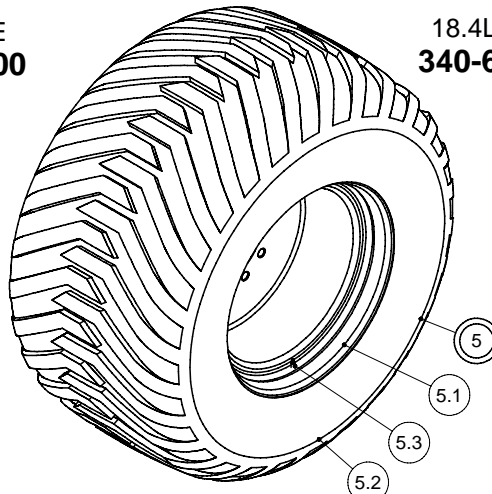
**28L x 26 TIRE
330-04-00-000**



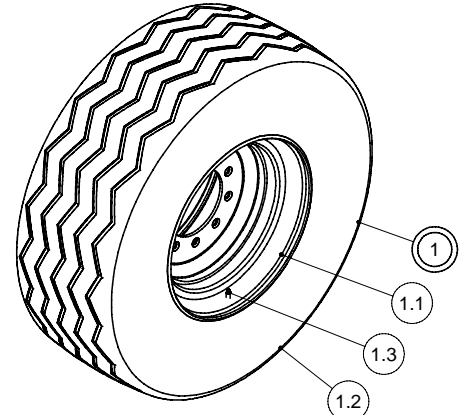
**18.4L x 26 TIRE
340-68-00-000**



**21.5 x 16.1 IMPLEMENT TIRE
326-02-00-000 - 10 PLY
340-54-00-000 - 14 PLY**



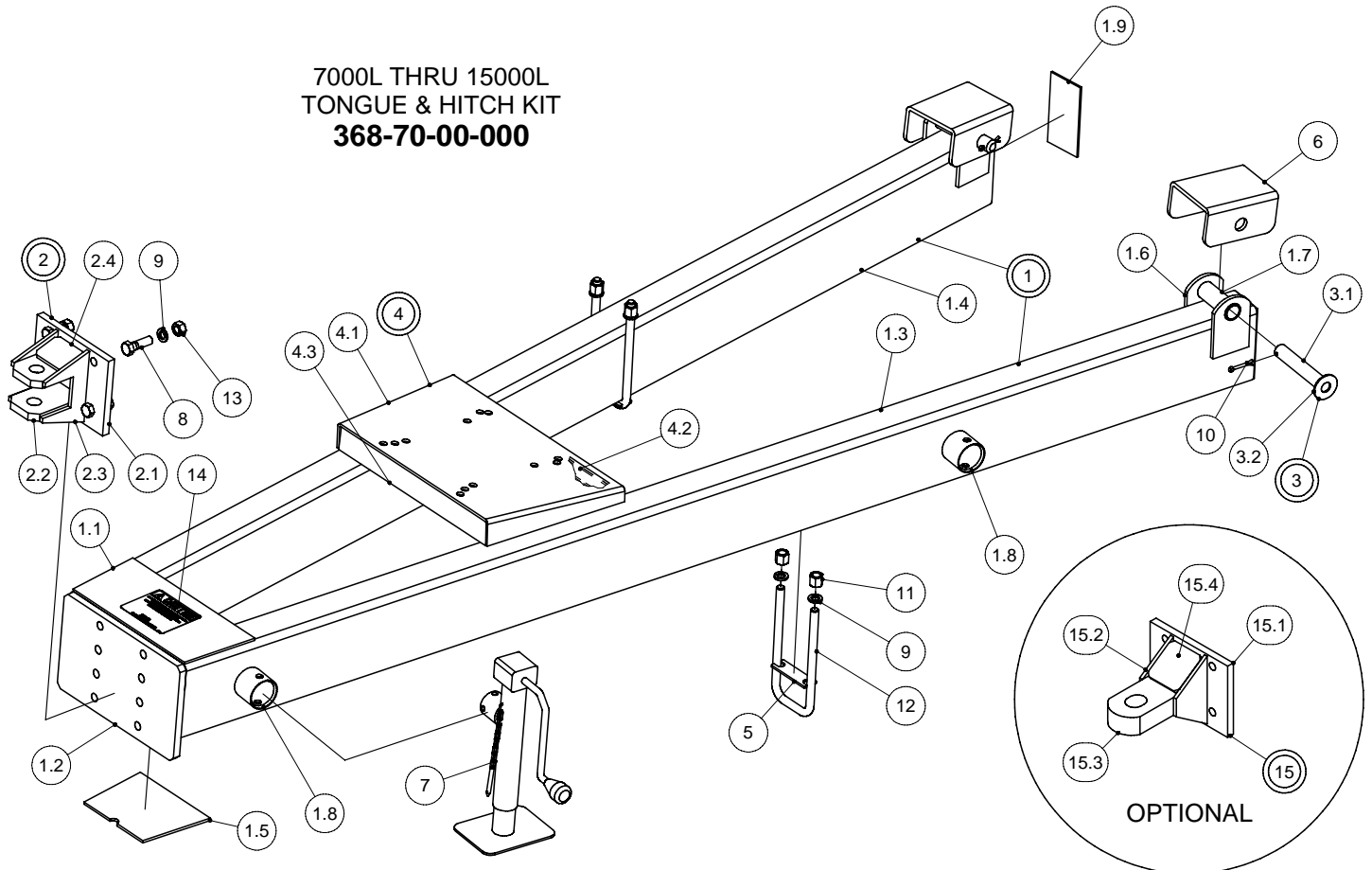
**700/50-26.5 16-PLY ALLIANCE TIRE
359-80-00-000**



**18 x 22.5 USED TRUCK TIRE
340-19-00-000**

7000L THRU 15000L VACUUM TONGUE & HITCH KIT

PARTS LIST				PARTS LIST			
ITEM	PART NUMBER	DESCRIPTION	QTY	ITEM	PART NUMBER	DESCRIPTION	QTY
1	364-32-00-000	TONGUE ASSY	1	4.1	368-57-00-233	PUMP MOUNT PLATE	1
1.1	364-32-00-379	TONGUE TUBE UPPER GUSSET	1	4.2	368-57-00-232	LONG REINFORCING BAR	1
1.2	364-35-00-117	HITCH BOLT PLATE	1	4.3	368-57-00-231	SHORT REINFORCING BAR	1
1.3	364-32-00-378	LH TONGUE TUBE - LONG STYLE	1	5	364-00-00-131	U - BOLT SPACER	2
1.4	364-32-00-377	RH TONGUE TUBE - LONG STYLE	1	6	315-31-00-115	TONGUE "U" PC	2
1.5	364-32-00-380	TONGUE TUBE LOWER GUSSET	1	7	R09751	7000LB SIDE WIND JACK	1
1.6	315-36-00-146	TONGUE SIDE PC	4	8	R07655	3/4 x 2 1/2 HEX BOLT	4
1.7	315-36-00-145	TONGUE BUSHING	2	9	R07807	3/4" LOCK WASHER	8
1.8	364-35-00-245	TONGUE JACK BRKT	2	10	R08016	1/4 x 2 COTTER PIN	2
1.9	315-36-00-147	TONGUE TUBE COVER	2	11	R07820	3/4" FED. HIGH HEX NUT	4
2	364-05-00-000	HITCH ASSY	1	12	R08172	3/4" UNF x 10" - "U" BOLT	2
2.1	364-05-00-030	HITCH BACK PLATE	1	13	R07787	3/4 - 10 UNC HEX NUT	4
2.2	364-05-00-031	HITCH PLATE	2	14	R09672	CAUTION PTO LENGTH DECAL	1
2.3	364-05-00-032	HITCH SIDE GUSSET	2	15	364-26-00-000	SINGLE POINT HITCH ASSY	1
2.4	364-05-00-033	HITCH GUSSET	2	15.1	364-05-00-030	HITCH BACK PLATE	1
3	315-39-00-000	LOCK PIN ASSY	2	15.2	364-26-00-092	SINGLE POINT HITCH GUSSET	2
3.1	315-39-00-155	TONGUE LOCK PIN	1	15.3	364-26-00-091	SINGLE POINT HITCH	1
3.2	R07828	1" FLAT WASHER	1	15.4	364-26-00-093	HITCH UPPER & LOWER GUSSET	2
4	368-57-00-000	PUMP MOUNT PLATE ASSY	1				



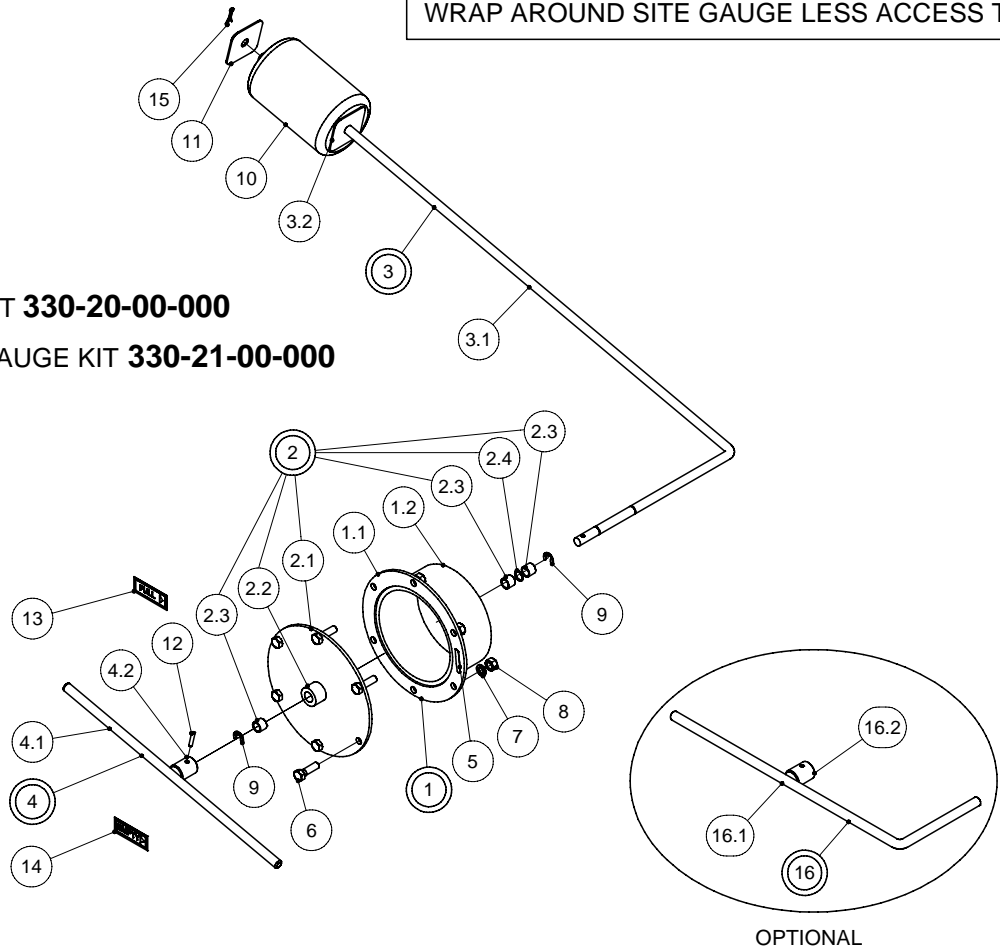
SIGHT GAUGE KIT

PARTS LIST				PARTS LIST			
ITEM	PART NUMBER	DESCRIPTION	QTY	ITEM	PART NUMBER	DESCRIPTION	QTY
1	330-20-03-000	ACCESS TUBE ASSY	1	5	R04100	SILICONE SEALANT	1
1.1	330-20-03-560	ACCESS TUBE FLANGE	1	6	R07675	3/8 x 1 1/4" HEX BOLT	6
1.2	330-20-03-556	ACCESS TUBE	1	7	R07803	3/8 LOCK WASHER	6
2	330-20-04-000	COVER PLATE ASSY	1	8	R07783	3/8 HEX NUT	6
2.1	330-20-00-557	COVER PLATE	1	9	R07974	EXTERNAL RETAINING RING	2
2.2	330-20-04-562	BUSHING HOLDER	1	10	R09524	FLOAT	1
2.3	R21173	1/2 x 5/8 x 1/2" BRONZE BUSHING	3	11	330-20-01-552	FLOAT STRAPS	1
2.4	R20865	O-RING #11-014	1	12	R08241	3/16 x 1 SS ROLL PIN	1
3	330-20-01-000	FLOAT ARM ASSY	1	13	R09529	"FULL" DECAL	1
3.1	330-20-01-551	FLOAT ARM	1	14	R09530	"EMPTY" DECAL	1
3.2	330-20-01-552	FLOAT STRAPS	1	15	R08021	1/8 x 1 S.S. COTTER PIN	1
4	330-20-02-000	INDICATOR ARM ASSY	1	16	330-21-01-000	WRAP AROUND SITE ARM ASSY	1
4.1	330-20-02-554	INDICATOR ARM	1	16.1	330-19-46-546	WRAP AROUND SITE ARM	1
4.2	330-20-02-553	INDICATOR ARM HUB	1	16.2	330-20-02-553	INDICATOR ARM HUB	1

330-22-00-000
SITE GAUGE LESS ACCESS TUBE

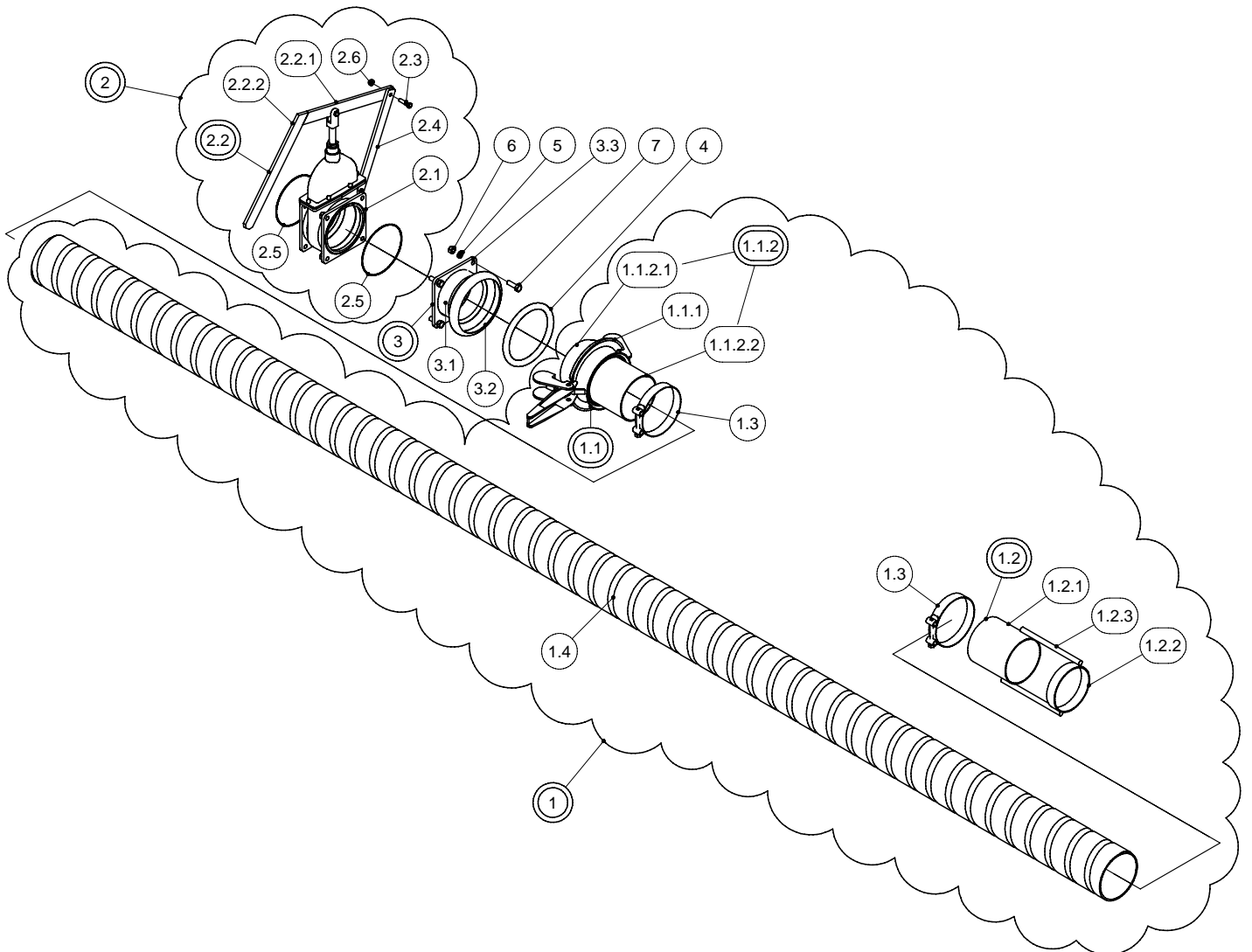
330-23-00-000
WRAP AROUND SITE GAUGE LESS ACCESS TUBE

SIGHT GAUGE KIT **330-20-00-000**
WRAP AROUND SIGHT GAUGE KIT **330-21-00-000**

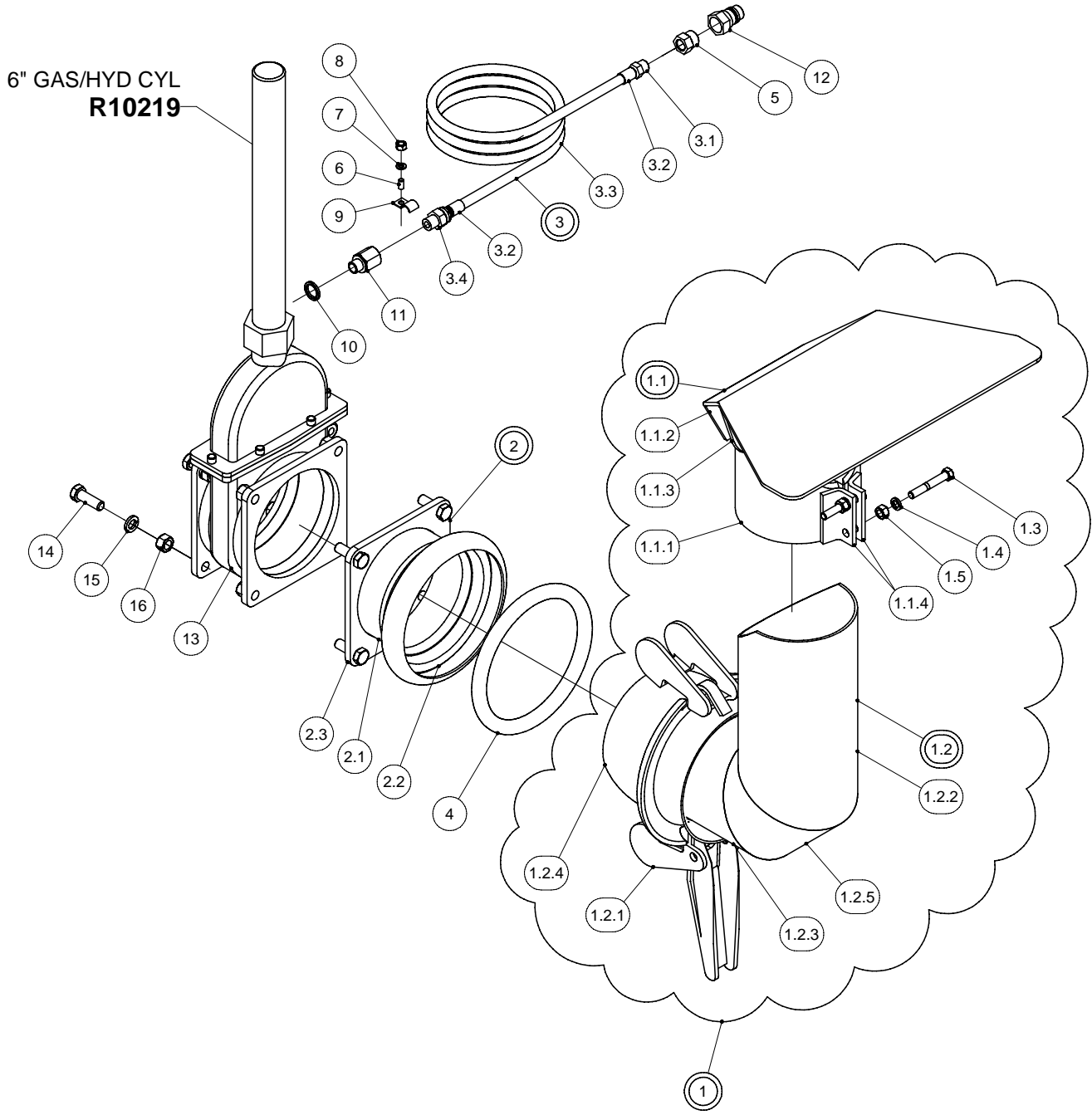


FILL PORT

PARTS LIST				PARTS LIST			
ITEM	PART NUMBER	DESCRIPTION	QTY	ITEM	PART NUMBER	DESCRIPTION	QTY
1	368-39-00-000	15' SUCTION HOSE KIT	1	2.2.1	368-87-00-358	MANUAL VALVE HANDLE - UPPER PC	1
1.1	368-13-00-000	VALVE TO HOSE CLAMP ASSY	1	2.2.2	368-87-00-359	MANUAL VALVE HANDLE - LOWER PC	1
1.1.1	R09835	159 mm BAUER CLAMP	1	2.3	R07620	3/8 x 1 1/2 HEX BOLT	3
1.1.2	368-13-01-000	6" BAUER BALL & TUBE ASSY	1	2.4	368-00-00-094	6" VALVE PIVOT HANDLE	1
1.1.2.1	R09837	159 mm BAUER BALL	1	2.5	R10374	6" FLANGE "O" RING	2
1.1.2.2	368-12-00-063	SUCTION HOSE PIPE	1	2.6	R07886	3/8 - 2 WAY LOCK NUT	3
1.2	368-12-00-000	SUCTION HOSE PIPE ASSY	1	3	375-97-00-000	6" SOCKET W/FLANGE ASSY	1
1.2.1	368-12-00-063	SUCTION HOSE PIPE	1	3.1	375-97-00-491	6" FLARED EXTENSION PIPE	1
1.2.2	368-12-00-064	SUCTION HOSE LOWER PIPE	1	3.2	R09836	6" BAUER SOCKET	1
1.2.3	368-12-00-065	REINFORCING BARS	2	3.3	368-01-72-351	6" VALVE FLANGE	1
1.3	R02482	6" HOSE CLAMP	2	4	R09838	HK 159mm O-RING	1
1.4	368-00-00-066	SUCTION HOSE	1	5	R07805	1/2 LOCK WASHER	4
2	368-51-00-000	6" MANUAL VALVE WITH HANDLES	1	6	R07785	1/2 HEX NUT	4
2.1	R10415	MANUAL VALVE WITH YOKE	1	7	R07638	1/2 x 1 1/2 HEX BOLT	4
2.2	368-87-00-000	MANUAL VALVE HANDLE ASSY	1				



REAR DISCHARGE



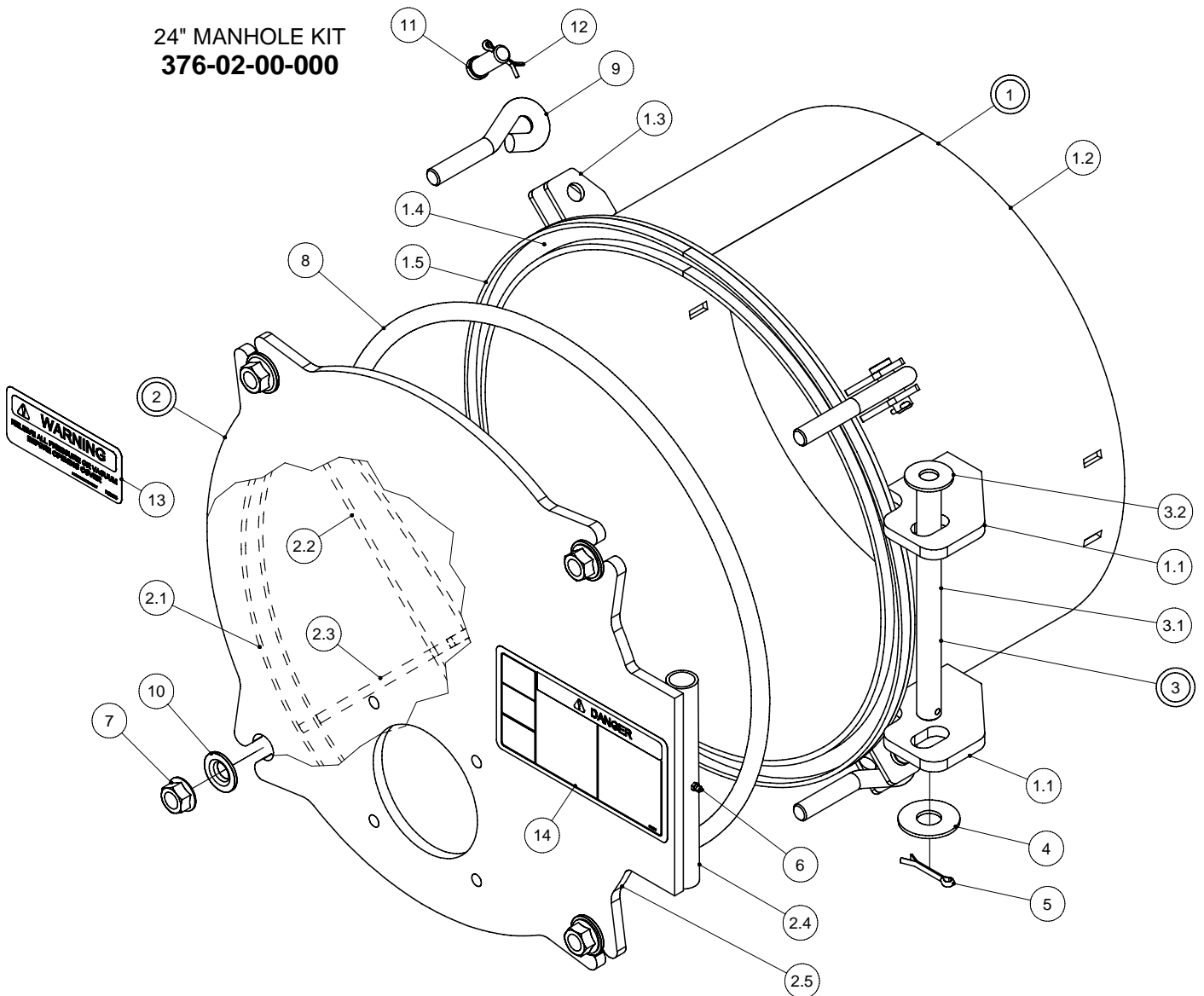
REAR DISCHARGE

PARTS LIST			
ITEM	PART NUMBER	DESCRIPTION	QTY
1	368-60-00-000	CLAMP & SPLASH PLATE KIT	1
1.1	364-68-00-000	SPLASH PLATE ASSY	1
1.1.1	364-68-00-215	CLAMPING TUBE	1
1.1.2	364-21-00-069	SPLASH PLATE	1
1.1.3	364-21-00-224	SPLASH PLATE WING	2
1.1.4	364-21-00-071	CLAMPING TUBE BRKT	2
1.2	368-60-49-000	DISCHARGE CLAMP AND ELBOW ASSY	1
1.2.1	R09835	159 mm BAUER CLAMP	1
1.2.2	364-25-00-067	DISCHARGE PIPE END PC	1
1.2.3	368-60-49-357	ELBOW BASE PC	1
1.2.4	R09837	159 mm BAUER BALL	1
1.2.5	364-19-00-082	DISCHARGE PIPE CORNER PC	1
1.3	R07622	3/8 x 2 1/2 HEX BOLT	2
1.4	R07803	3/8 LOCK WASHER	2
1.5	R07783	3/8 HEX NUT	2
2	375-97-00-000	6" SOCKET W/FLANGE ASSY	1
2.1	375-97-00-491	6" FLARED EXTENSION PIPE	1
2.2	R09836	6" BAUER SOCKET	1
2.3	368-01-72-351	6" VALVE FLANGE	1
3	366-86-00-000	HYDRAULIC HOSE ASSY - 7000L	1
3	368-85-00-000	HYDRAULIC HOSE ASSY - 9000L & 12000L	1
3	375-80-00-000	HYDRAULIC HOSE ASSY - 15000L & 18000L	1
3	369-84-00-000	HYDRAULIC HOSE ASSY - 14000L	1
3.1	R20803	3/8 - 16 NPT SOLID MALE STEM	1
3.2	R21231	STEEL FERRULE - 1/4"	2
3.3	366-36-00-159	HYDRAULIC HOSE - 7000L	1
3.3	368-37-00-160	HYDRAULIC HOSE - 9000L & 12000L	1
3.3	375-80-00-356	HYDRAULIC HOSE - 15000L & 18000L	1
3.3	369-38-00-161	HYDRAULIC HOSE - 14000L	1
3.4	R20806	3/8 NPT SWIVEL MALE STEM	1
4	R09838	HK 159mm O-RING	1
5	R02043	BUSHING 1/2 x 3/8	1
6	R08301	1/4 x 20 UNC x 1/2" WELD STUD	4
7	R07801	1/4 LOCK WASHER	4
8	R07781	1/4 HEX NUT	4 *
9	R21104	HYD. HOSE CLIPS	4 *
10	R10405	GAS/HYD SEAL WASHER	1 *
11	R22145	M18-1.5F x 3/8 NPT ADAPTER	1 *
12	R21342	1/2" MALE PIONEER TIP	1
13	R10427	6" HYD VALVE-FLANGED	1
14	R07638	1/2 x 1 1/2 UNC HEX BOLT	8
15	R07805	1/2" LOCK WASHER	8
16	R07785	1/2-13 UNC HEX NUT	8

* VARIES AS PER SIZE OF TANK

24" MANHOLE KIT

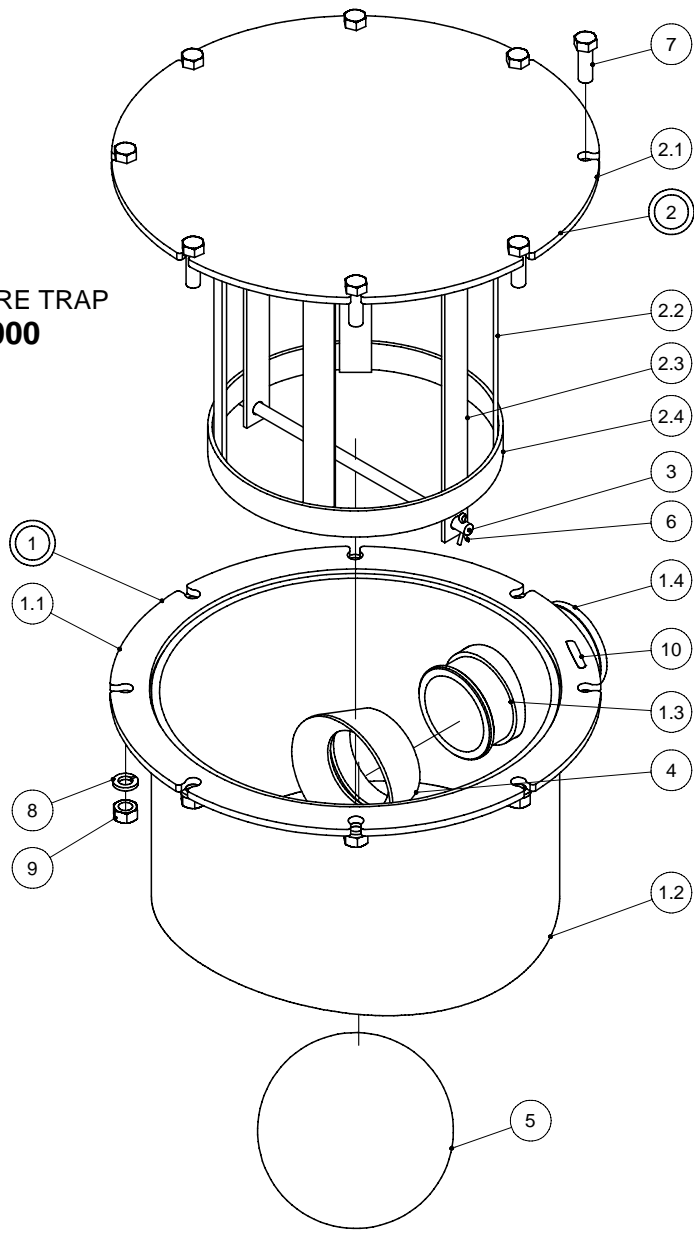
PARTS LIST				PARTS LIST			
ITEM	PART NUMBER	DESCRIPTION	QTY	ITEM	PART NUMBER	DESCRIPTION	QTY
1	376-02-02-000	FLAT VACUUM HATCH MANHOLE ASSY	1	3.1	376-02-04-508	LID PIN	1
1.1	376-02-02-505	MANHOLE HINGE	2	3.2	R07827	3/4" FLAT WASHER	1
1.2	368-64-61-303	24" MANHOLE	1	4	R07828	1" FLAT WASHER	1
1.3	376-02-02-573	MANHOLE LUG	8	5	R08016	1/4 x 2 COTTER PIN	1
1.4	376-02-02-574	MANHOLE RING	1	6	R08183	1/4" - 28 STRAIGHT GREASE FITTING	1
1.5	376-02-02-575	OUTER RUBBER STOP	1	7	R08433	3/4-10 UNC FLANGE NUT	4
2	376-02-01-000	FLAT VACUUM HATCH LID ASSY	1	8	376-02-00-576	ROUND RUBBER SEAL	1
2.1	376-02-01-501	INNER RING	1	9	R08442	3/4" EYE BOLT	4
2.2	376-02-01-503	BOTTOM SUPPORT PLATE	1	10	376-02-00-577	MANWAY WASHER	4
2.3	376-02-01-502	TOP SUPPORT PLATE	1	11	R08443	EYE BOLT PIN	4
2.4	376-02-01-504	HATCH PIN SLEEVE	1	12	R08011	3/16 x 1 1/2 COTTER PIN	4
2.5	376-02-01-578	FLAT VACUUM HATCH LID	1	13	R09668	"RELIEVE ALL PRESSURE" DECAL	1
3	376-02-04-000	LID PIN ASSY	1	14	R10334	TOXIC GAS PICTORAL DECAL	1



PRIMARY MOSITURE TRAP COMPLETE

PARTS LIST				PARTS LIST			
ITEM	PART NUMBER	DESCRIPTION	QTY	ITEM	PART NUMBER	DESCRIPTION	QTY
1	368-91-01-000	CAN ASSY - 3" OUTLET	1	2.4	368-91-02-381	RETAINING RING	2
1.1	368-91-01-379	CAN FLANGE	1	3	368-91-00-384	BALL RETAINING PIN	1
1.2	368-91-01-378	PRIMARY CAN	1	4	R09857	RUBBER VALVE SEAT	1
1.3	368-25-20-110	SEAT HOLDER	1	5	R09856	6" STAINLESS STEEL BALL	1
1.4	368-25-20-114	HALF BARBED CONNECTOR	1	6	R08021	1/8 x 1 S.S. COTTER PIN	2
2	368-91-02-000	CAGE ASSY	1	7	R07671	7/16 x 1 1/4 HEX BOLT	8
2.1	368-91-02-380	CAGE TOP	1	8	R07804	7/16 LOCK WASHER	8
2.2	368-91-02-383	CAGE SIDE STRAP - SHORT	4	9	R07784	7/16 HEX NUT	8
2.3	368-91-02-382	CAGE SIDE STRAP - LONG	2	10	R04100	SILICONE SEALANT	1

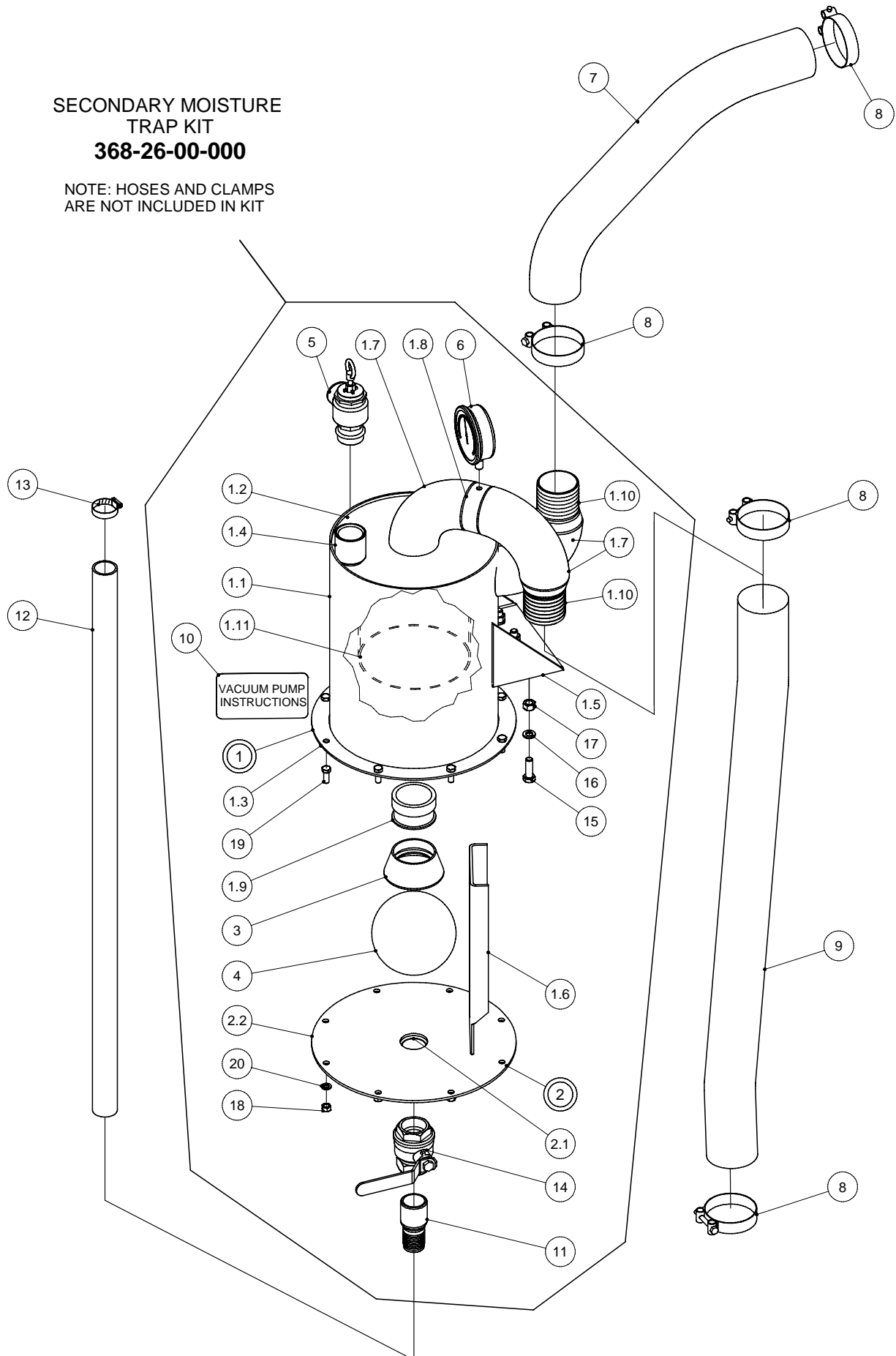
**PRIMARY MOISTURE TRAP
368-91-00-000**



SECONDARY MOISTURE TRAP COMPLETE

SECONDARY MOISTURE TRAP KIT 368-26-00-000

NOTE: HOSES AND CLAMPS
ARE NOT INCLUDED IN KIT

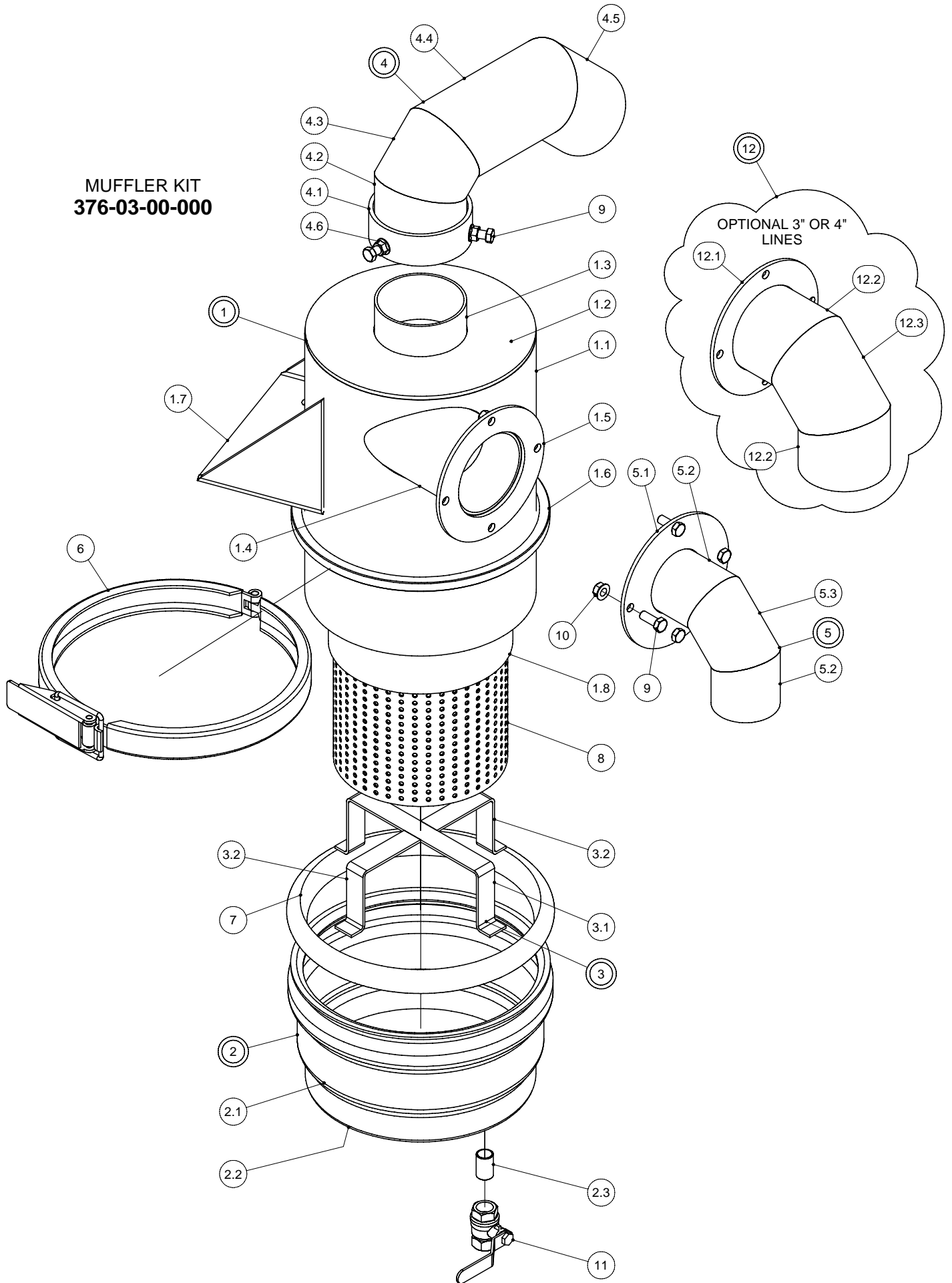


SECONDARY MOISTURE TRAP COMPLETE

PARTS LIST			
ITEM	PART NUMBER	DESCRIPTION	QTY
1	368-26-22-000	SECONDARY MOISTURE TRAP ASSY	1
1.1	368-26-22-119	SECONDARY TRAP TUBE	1
1.2	368-26-22-120	SECONDARY TRAP LID	1
1.3	368-26-22-121	FLANGE	1
1.4	R02063	1 1/2" COUPLING	1
1.5	368-26-22-128	MOISTURE TRAP BRKT	1
1.6	368-26-22-273	SECONDARY TRAP BAFFLE	1
1.7	R02448	3" WELD ELBOW	3
1.8	368-26-22-123	ELBOW EXTENSION TUBE	1
1.9	368-25-20-110	SEAT HOLDER	1
1.10	368-25-20-114	HALF BARBED CONNECTOR	2
1.11	368-26-22-122	SECONDARY INNER TUBE	1
2	368-26-01-000	COVER PLATE ASSY	1
2.1	R02127	1 1/2 CLOSE NIPPLE	1
2.2	368-26-01-444	COVER PLATE	1
3	R09857	RUBBER VALVE SEAT	1
4	R09856	STAINLESS STEEL BALL	1
5	R09910	PRESSURE RELIEF VALVE	1
6	R09833	PRESSURE VACUUM GAUGE	1
7	368-00-00-068	3" PRESSURE VACUUM HOSE - SHORT	1
8	R02480	3" BAUER SUPER CLAMP	4
9	368-00-00-067	3" PRESSURE VACUUM HOSE LONG 12 & 14000L	1
	366-00-00-150	3" PRESSURE VACUUM HOSE LONG 7000L	1
	367-00-00-151	3" PRESSURE VACUUM HOSE LONG 9000L	1
10	R09733	VAC. PUMP INSTRUCTIONS DECAL	1
11	R02453	1 1/2" COMBINATION NIPPLE	1
12	368-00-00-070	DRAIN HOSE	1
13	R02232	1 1/2" GEAR CLAMP	1
14	R02455	1 1/2 NPT Ball Valve	1
15	R07638	1/2 x 1 1/2 UNC HEX BOLT	3
16	R07805	1/2" LOCK WASHER	3
17	R07785	1/2-13 UNC HEX NUT	3
18	R07783	3/8-16 UNC HEX NUT	8
19	R07619	3/8 x 1 UNC HEX BOLT	8
20	R07803	3/8" LOCK WASHER	8

MUFFLER KIT

MUFFLER KIT
376-03-00-000

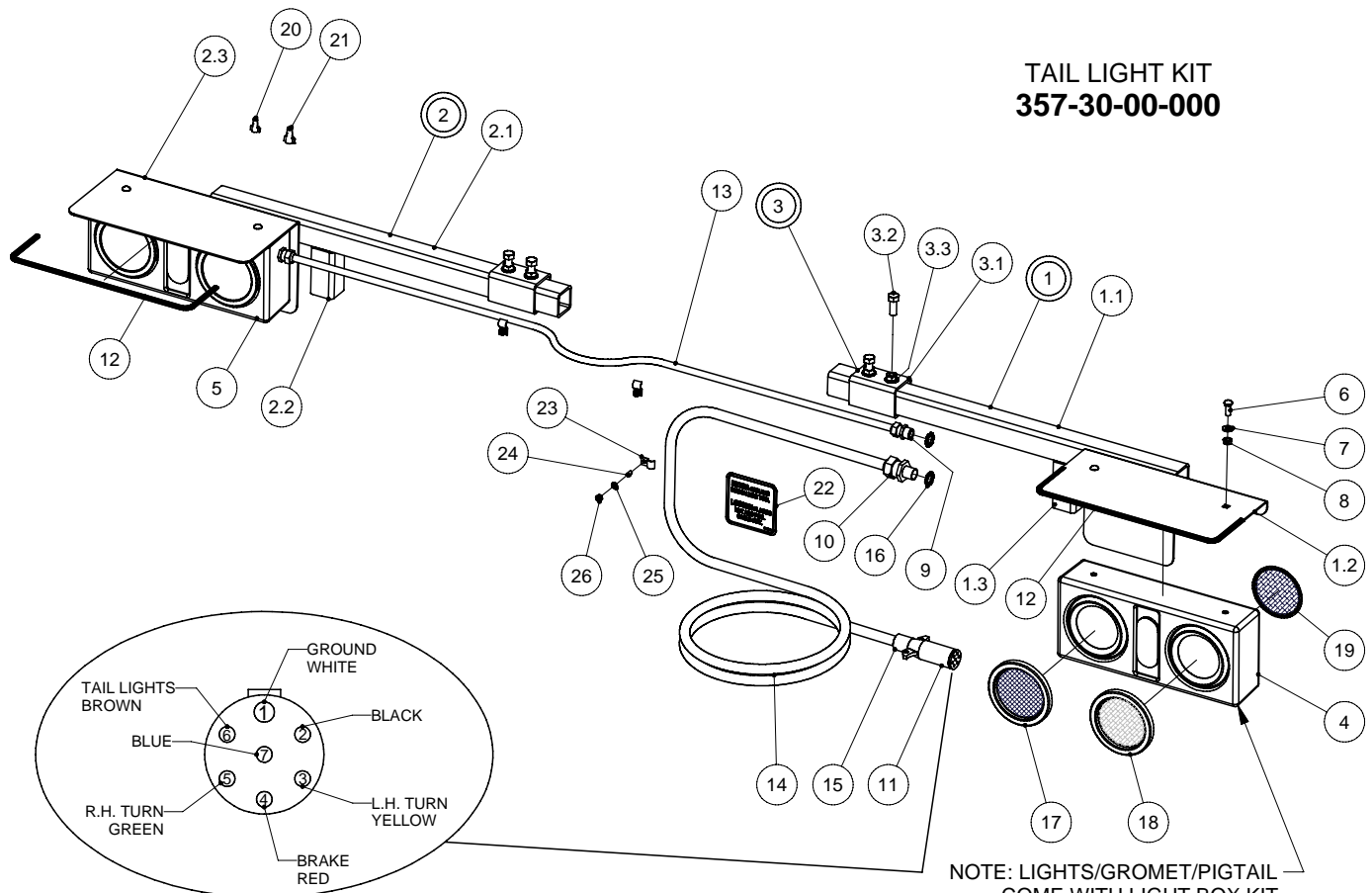


MUFFLER KIT

PARTS LIST			
ITEM	PART NUMBER	DESCRIPTION	QTY
1	376-03-01-000	UPPER CAN ASSY	1
1.1	368-59-01-456	UPPER CAN	1
1.2	368-59-01-457	UPPER CAN TOP	1
1.3	368-59-01-455	ELBOW EXTENSION TUBE	1
1.4	368-59-47-263	4" SIDE INLET	1
1.5	368-59-47-440	4" MUFFLER FLANGE	1
1.6	286-00-00-059	RING FOR STEEL ELBOW	1
1.7	368-59-01-492	MUFFLER BRKT	1
1.8	376-03-01-510	INNER MESH TUBE	1
2	368-59-03-000	BOTTOM CAN ASSY	1
2.1	R02499	10" FEMALE CIRCLOCK COUPLING	1
2.2	368-59-03-454	BOTTOM CAP	1
2.3	R02123	1/2" CLOSE NIPPLE	1
3	376-03-02-000	STAND ASSY	1
3.1	376-03-02-511	SINGLE STAND	1
3.2	376-03-02-512	HALF STAND	2
4	368-59-06-000	PIPE ASSY	1
4.1	368-59-06-469	LOCK COLLAR	1
4.2	368-59-06-458	PIPE PC #1	1
4.3	368-59-06-459	PIPE PC #2	1
4.4	368-59-06-460	PIPE PC #3	1
4.5	368-59-06-461	PIPE PC #4	1
4.6	R07794	3/8-16 UNC FLANGE NUT	3
5	368-59-04-000	3" EXTENSION TUBE ASSY	1
5.1	368-59-04-462	3" MUFFLER FLANGE	1
5.2	368-59-04-463	3" EXTENSION TUBE	2
5.3	368-59-04-493	EXTENSION TUBE MID PC	1
6	R02500	10" BANDLOC CLAMP	1
7	R02852	10" CL GASKET	1
8	R00617	S.S.KNITTED WIRE MESH	1
9	R07619	3/8 x 1 UNC HEX BOLT	7
10	R07794	3/8-16 UNC FLANGE NUT	4
11	R02473	1/2 NPT Ball Valve	1
12	368-59-05-000	4" EXTENSION TUBE ASSY	1
12.1	368-59-47-440	4" MUFFLER FLANGE	1
12.2	368-59-05-464	4" EXTENSION TUBE	2
12.3	368-59-05-494	4" ELBOW MIDDLE PC	1

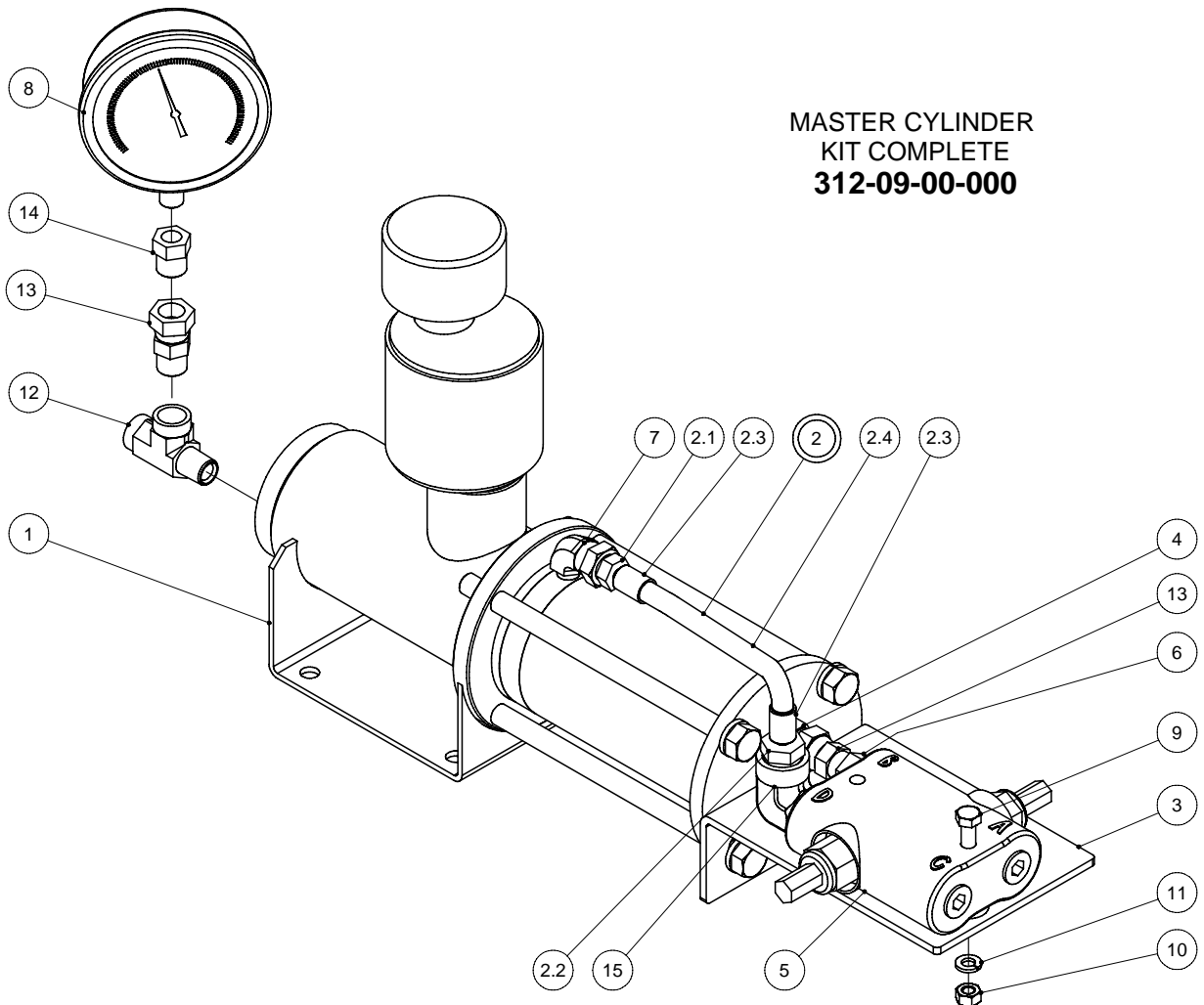
TAIL LIGHT KIT

PARTS LIST				PARTS LIST			
ITEM	PART NUMBER	DESCRIPTION	QTY	ITEM	PART NUMBER	DESCRIPTION	QTY
1	357-30-01-000	RH LIGHT BAR ASSY	1	10	R10357	3/4" NYLON TITE CONNECTOR	1
1.1	357-30-01-171	LIGHT BAR	1	11	R10095	7 POLE CONNECTOR	1
1.2	357-30-01-172	RH LITE BOLT PLATE	1	12	357-30-00-311	SAFETY EDGING	2
1.3	357-30-01-173	STUB BAR	1	13	R04046	4-WIRE TRAILER CABLE - APPROX. 4M	1
2	357-30-02-000	LH LIGHT BAR ASSY	1	14	R04235	14/6 TRAILER CABLE - APPROX. 10.5M	1
2.1	357-30-01-171	LIGHT BAR	1	15	R09636	RUBBER BOOT	1
2.2	357-30-01-173	STUB BAR	1	16	R10345	1/2" ELECTRICAL BOX LOCK NUT	3
2.3	357-30-02-245	LH LITE BOLT PLATE	1	17	R10087	RED LIGHT KIT	2
3	357-30-03-000	MOUNT BRKT ASSY	2	18	R10347	AMBER LIGHT KIT w/ CLEAR BACK	2
3.1	357-30-03-174	MOUNT BRKT	1	19	R10346	AMBER REPLACEMENT LENS	2
3.2	R07674	1/2 x 1 1/4 HEX BOLT	2	20	R04343	#451 YELLOW WING NUT CONNECTOR	8
3.3	R07795	1/2" UNC FLANGE NUT	2	21	R04422	#452 RED WING NUT CONNECTOR	2
4	R10349	RH LAMP BOX w/ 2 LAMPS	1	22	R09808	CABLE - LIGHT BOX DECAL	1
5	R10348	LH LAMP BOX w/ 2 LAMPS	1	23	R21104	HYD. HOSE CLIPS	12
6	R07721	3/8 x 1 CARRIAGE BOLT	4	24	R08301	1/4 x 20 UNC x 1/2" WELD STUD	12
7	R07823	3/8 FLAT WASHER	4	25	R07801	1/4" LOCK WASHER	12
8	R07794	3/8 FLANGE NUT	4	26	R07781	1/4-20 UNC HEX NUT	12
9	R10193	1/2" NYLON TITE CONNECTOR	2				



MASTER CYLINDER KIT COMPLETE

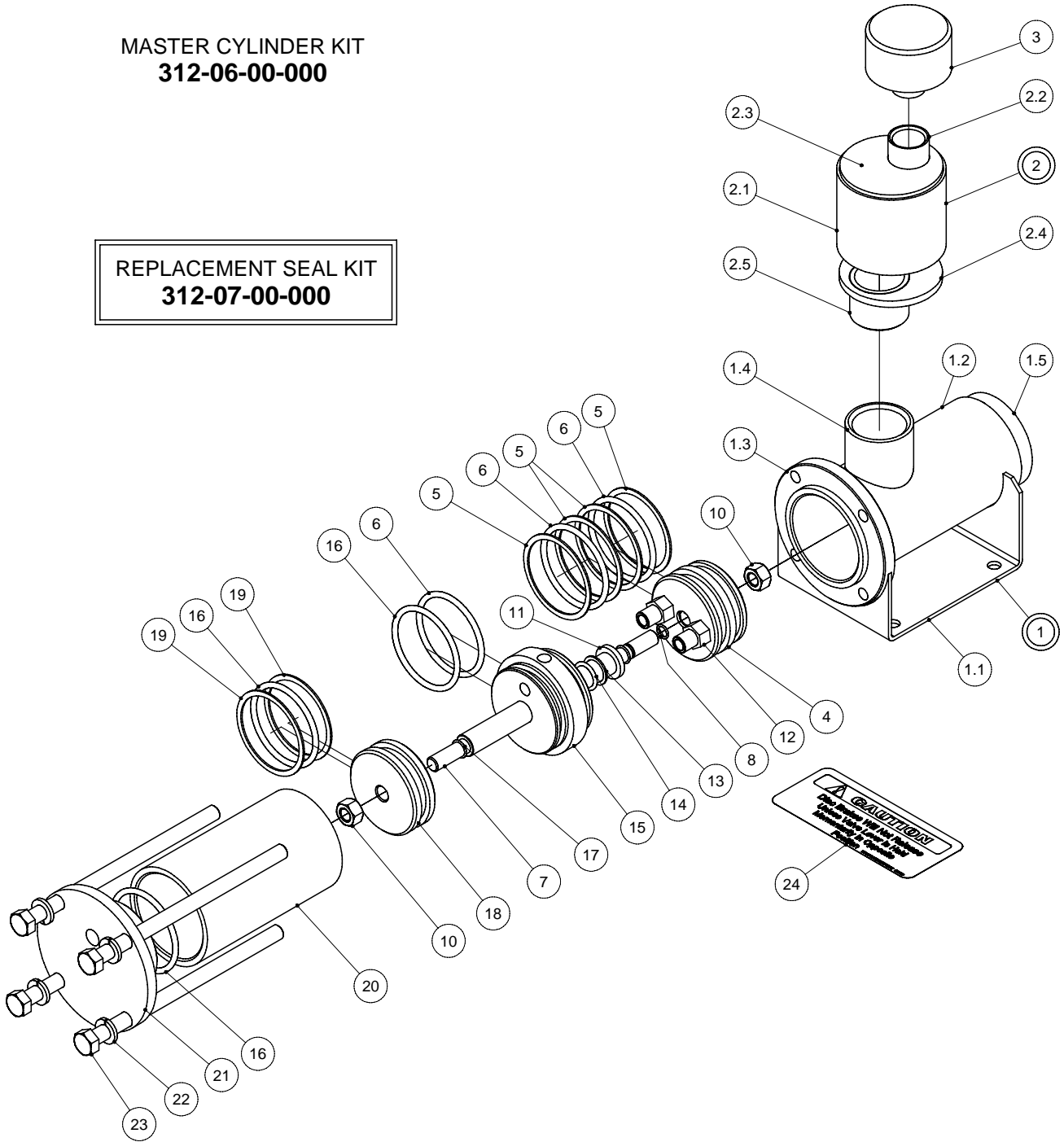
PARTS LIST			
ITEM	PART NUMBER	DESCRIPTION	QTY
1	312-06-00-000	MASTER CYLINDER KIT	1
2	312-06-05-000	HYD HOSE ASSY	1
2.1	R20803	3/8 - 16 NPT SOLID MALE STEM	1
2.2	R20804	1/4 STEM 1/2 NPT SOLID MALE STEM	1
2.3	R21231	STEEL FERRULE - 1/4"	2
2.4	312-06-05-048	1/4" RUBBER HYD HOSE	1
3	312-09-00-054	RELIEF VALVE MOUNT PLATE	1
4	R21397	3/8" HYDRAULIC NIPPLE	1
5	R21209	DUAL RELIEF VALVE	1
6	R02043	BUSHING 1/2 x 3/8	1
7	R21334	1/4 x 3/8-90 DEG SWIVEL ADAPTER	1
8	R21250	PRESSURE GAUGE	1
9	R07614	5/16" x 2 1/2 HEX BOLT	1
10	R07812	5/16 HEX NUT	1
11	R07802	5/16 LOCK WASHER	1
12	R22247	3/8 TEE - MxFxF	1
13	R20812	3/8"M X 3/8"F NPT ST SWIVEL ADAPTOR	2
14	R02042	1/4" X 3/8" BUSHING	1
15	R21367	1/2 X 90 HYD ELBOW	1



MASTER CYLINDER KIT

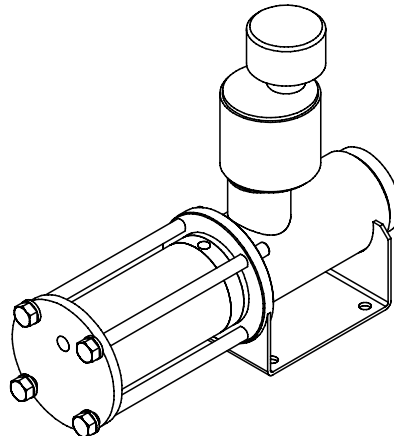
MASTER CYLINDER KIT
312-06-00-000

REPLACEMENT SEAL KIT
312-07-00-000

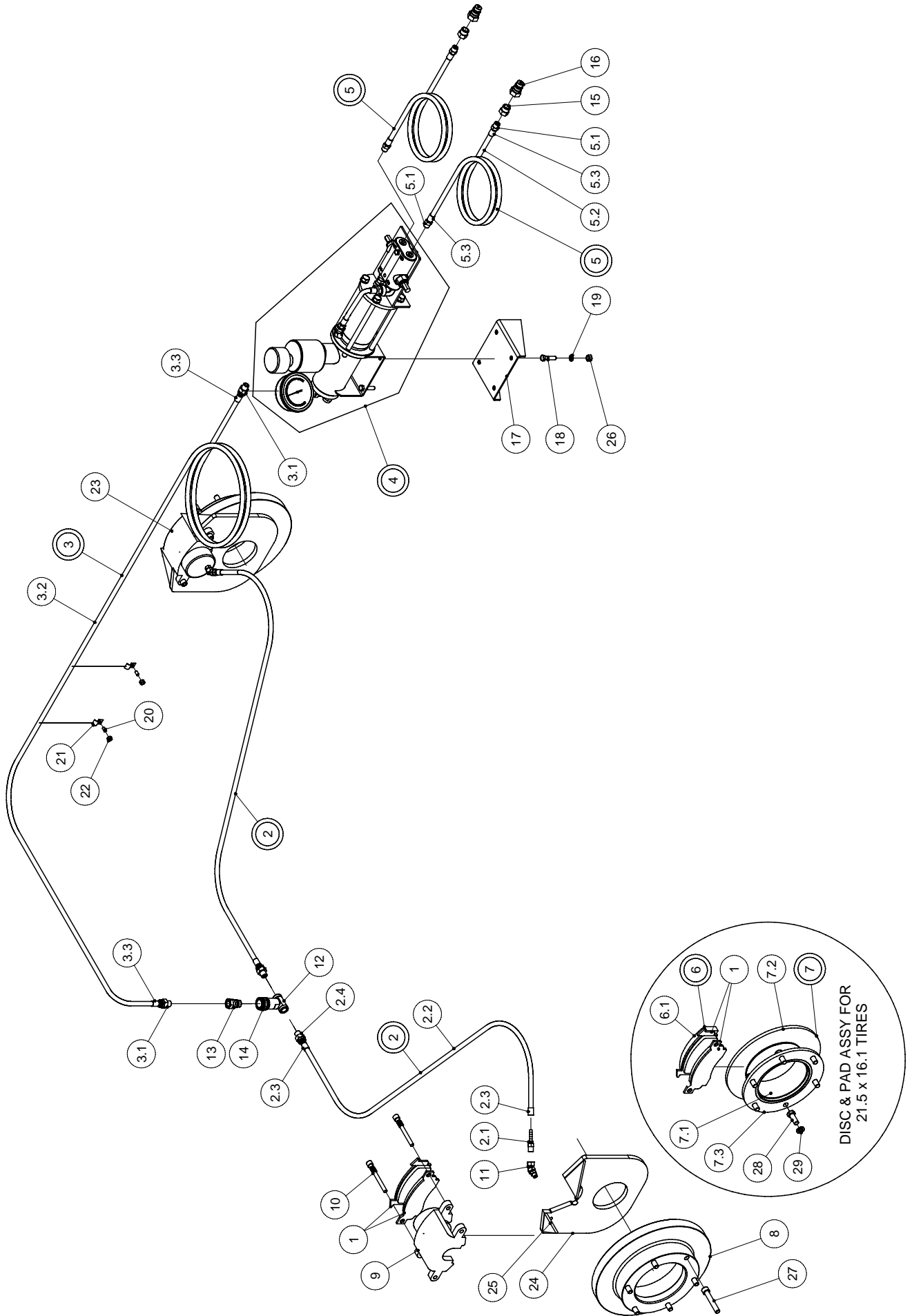


MASTER CYLINDER KIT

PARTS LIST			
ITEM	PART NUMBER	DESCRIPTION	QTY
1	312-06-02-000	MASTER CYLINDER TUBE ASSY	1
1.1	312-06-02-034	MOUNT PLATE	1
1.2	312-06-02-030	MASTER CYLINDER TUBE	1
1.3	312-06-02-031	MASTER CYLINDER FLANGE	1
1.4	312-06-02-033	COUPLER	1
1.5	312-06-02-032	MASTER CYLINDER END CAP	1
2	312-06-03-000	RESEVOIR ASSY	1
2.1	312-06-03-041	RESERVOIR TUBE	1
2.2	312-06-03-045	RESERVOIR COUPLING	1
2.3	312-06-03-042	RESEVOIR TOP PLATE	1
2.4	312-06-03-043	RESEVOIR BOTTOM PLATE	1
2.5	312-06-03-046	RESERVOIR NIPPLE	1
3	R21103	FILLER BREATHER	1
4	312-06-00-039	MASTER CYLINDER PLUNGER	1
5	R20873	TEFLON BACK UP #334	4
6	R20868	EP "O" RING #334 (2 5/8 x 3/16")	3
7	312-06-00-040	SHAFT	1
8	R20869	EP "O" RING 012 (3/8 x 1/2 x 1/16")	1
9	R20870	EP "O" RING 014 (1/2 x 5/8 x 1/16")	1
10	R07885	1/2 - 2 WAY LOCK NUT	2
11	R20774	3/4" HYTREL ROD WIPER 52-750	1
12	R21207	3/8" CHECK VALVE	2
13	R20874	3/4" HYTREL ROD WIPER 52-750	1
14	R20871	EP "O" RING 210 (3/4 x 1 x 1/8")	1
15	312-06-00-037	CYLINDER DIVIDER BLOCK	1
16	R20836	"O" RING #11-334 (2 5/8 x 3 x 3/16")	3
17	R20865	O-RING #11-014	1
18	312-06-00-038	HYDRAULIC PLUNGER	1
19	R20837	BACK UP #8-334	2
20	312-06-00-035	HYDRAULIC CYLINDER TUBE	1
21	312-06-00-036	HYDRAULIC CYLINDER END CAP	1
22	R07805	1/2 LOCK WASHER	4
23	R08434	1/2 x 13 UNC x 8 1/2" HEX BOLT	4
24	R09689	"CAUTION" DECAL	1



12,14,15000L BRAKE KIT



12,14,15000L BRAKE KIT

311-00-00-000

BRAKE KIT FOR 21.5L x 16.1 TIRES

312-00-00-000

BRAKE KIT FOR 18 x 22.5 AND 28L x 26 TIRES

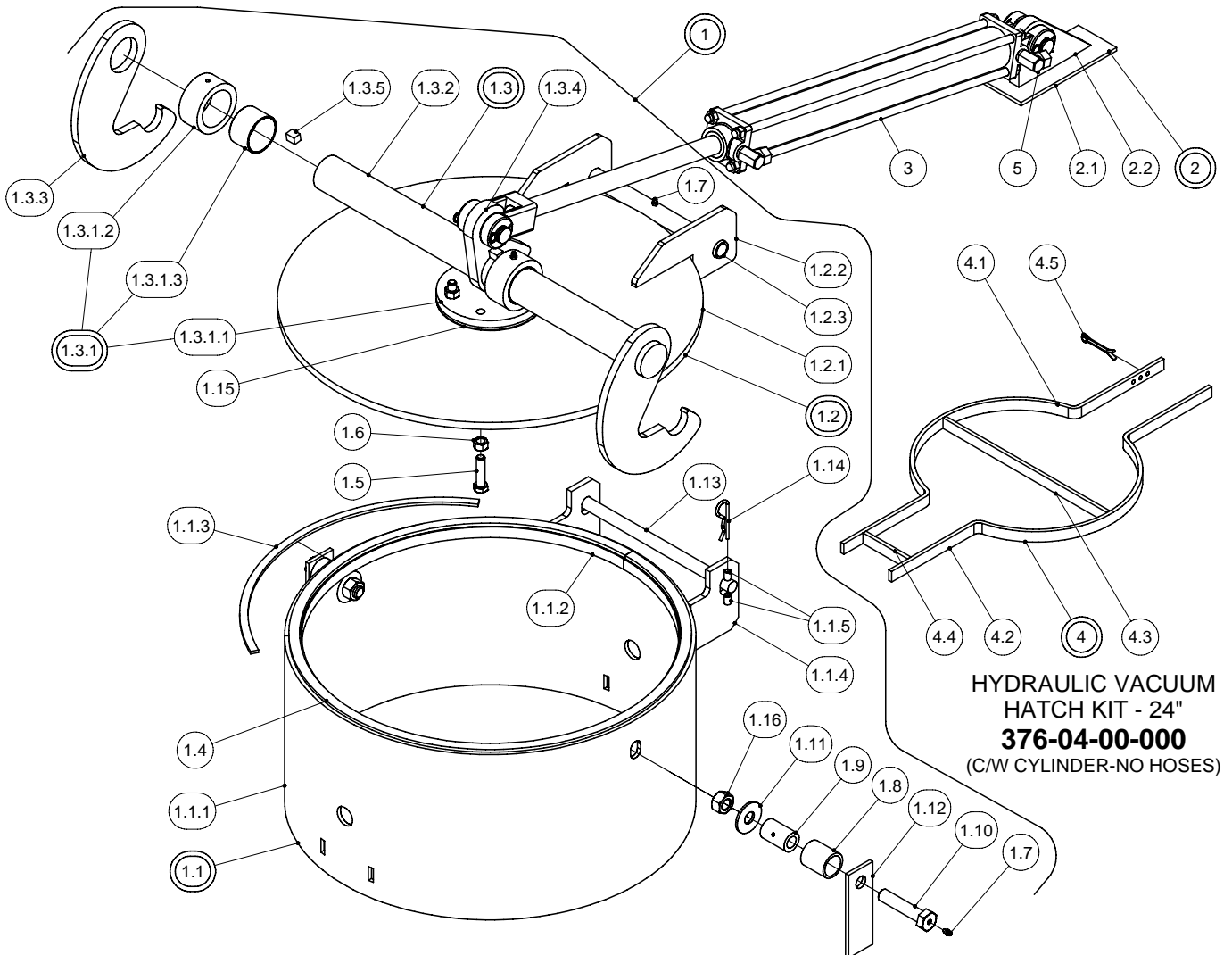
PARTS LIST			
ITEM	PART NUMBER	DESCRIPTION	QTY
1	R21067	BRAKE PADS	4
2	312-08-00-000	HYD. BRAKE HOSE ASSY FOR DROP AXLE	2*
2	312-04-00-000	HYD. BRAKE HOSE ASSY	2
2.1	R20802	1/4 - 18 NPT SOLID MALE STEM	1
2.2	312-08-00-051	HYDRAULIC HOSE FOR DROP AXLE	1*
2.2	312-04-00-028	HYDRAULIC HOSE	1
2.3	R21231	STEEL FERRULE - 1/4"	2
2.4	R20806	3/8 NPT SWIVEL MALE STEM	1
3	340-17-38-000	MAIN BRAKE LINE ASSY	1
3.1	R20806	3/8 NPT SWIVEL MALE STEM	2
3.2	340-17-38-544	MAIN HYD. BRAKE HOSE	1
3.3	R21231	STEEL FERRULE - 1/4"	2
4	312-09-00-000	MASTER CYLINDER KIT COMPLETE	1
5	340-17-39-000	HYD. HOSE MASTER CYL. TO TRACTOR	2
5.1	R20803	3/8 - 16 NPT SOLID MALE STEM	2
5.2	340-17-39-545	HYD. HOSE - MASTER CYL. TO TRACTOR	1
5.3	R21231	STEEL FERRULE - 1/4"	2
6	310-15-00-000	PAD & SPACER ASSY	2**
6.1	310-15-00-023	PAD SPACER	1**
7	311-16-00-000	BRAKE DISC ASSY	2**
7.1	311-16-00-025	DISC SPACER	1**
7.2	311-16-00-024	BRAKE DISC	1**
7.3	340-10-00-350	DISC HOLDDOWN PLATE MARTIN HUB	1**
8	R20098	BOLT ON BRAKE DISC	2
9	R21065	RH DISC BRAKE CALIPER ASSY TC500	1
10	R21070	GUIDE PINS	4
11	R21308	45 DEG x 7/16 SAE x 1/4 NPT ADAPTOR	2
12	R22111	3/8" HYD TEE - F x F x M	1
13	R21339	3/8" MALE PIONEER END	1
14	R21337	3/8" FEMALE PIONEER END	1
15	R02043	BUSHING 1/2 x 3/8	2
16	R21342	1/2" MALE PIONEER TIP	2
17	312-06-00-047	MASTER CYLINDER MT BRACKET	1
18	R07620	3/8 x 1 1/2 HEX BOLT	4
19	R07803	3/8 LOCK WASHER	4
20	R08301	1/4 x 20 UNC x 1/2" WELD STUD	2
21	R21104	HYD. HOSE CLIPS	2
22	R07781	1/4 HEX NUT	2
23	R21066	LH DISC BRAKE CALIPER ASSY TC501	1
24	312-02-00-027	CALIPER MOUNTING PLATE	2
	340-08-10-332	CALIPER MOUNTING PLATE (28L TIRES)	2*
	311-17-00-050	CALIPER MOUNTING PLATE (21.5 TIRES)	2**
25	340-08-10-334	CALIPER PLATE SUPPORT	4
26	R07783	3/8 HEX NUT	4
27	R07871	1/2 x 3 UNF SHCS	12
28	R07861	1/2 X 1 1/4" -20 UNF HEX BOLT	12**
29	R07805	1/2" LOCK WASHER	12**

* DROP AXLE

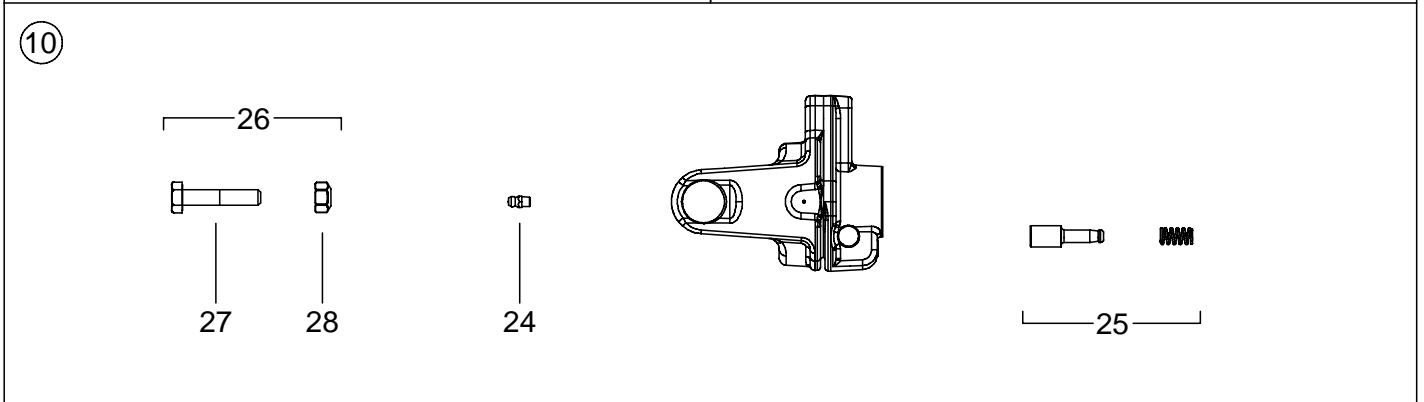
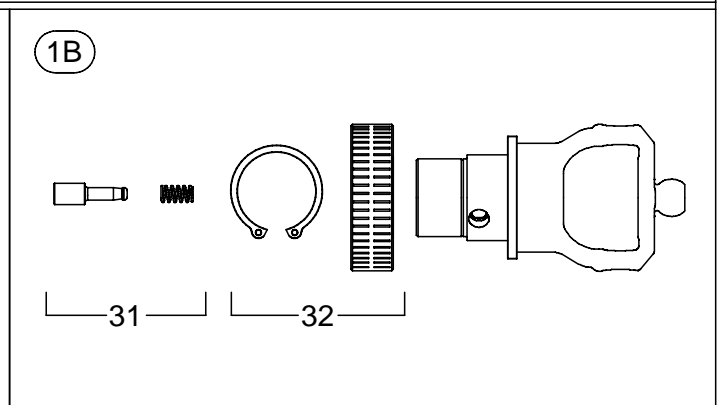
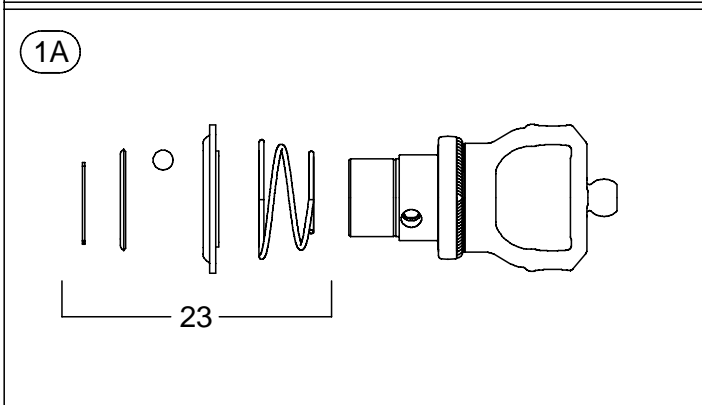
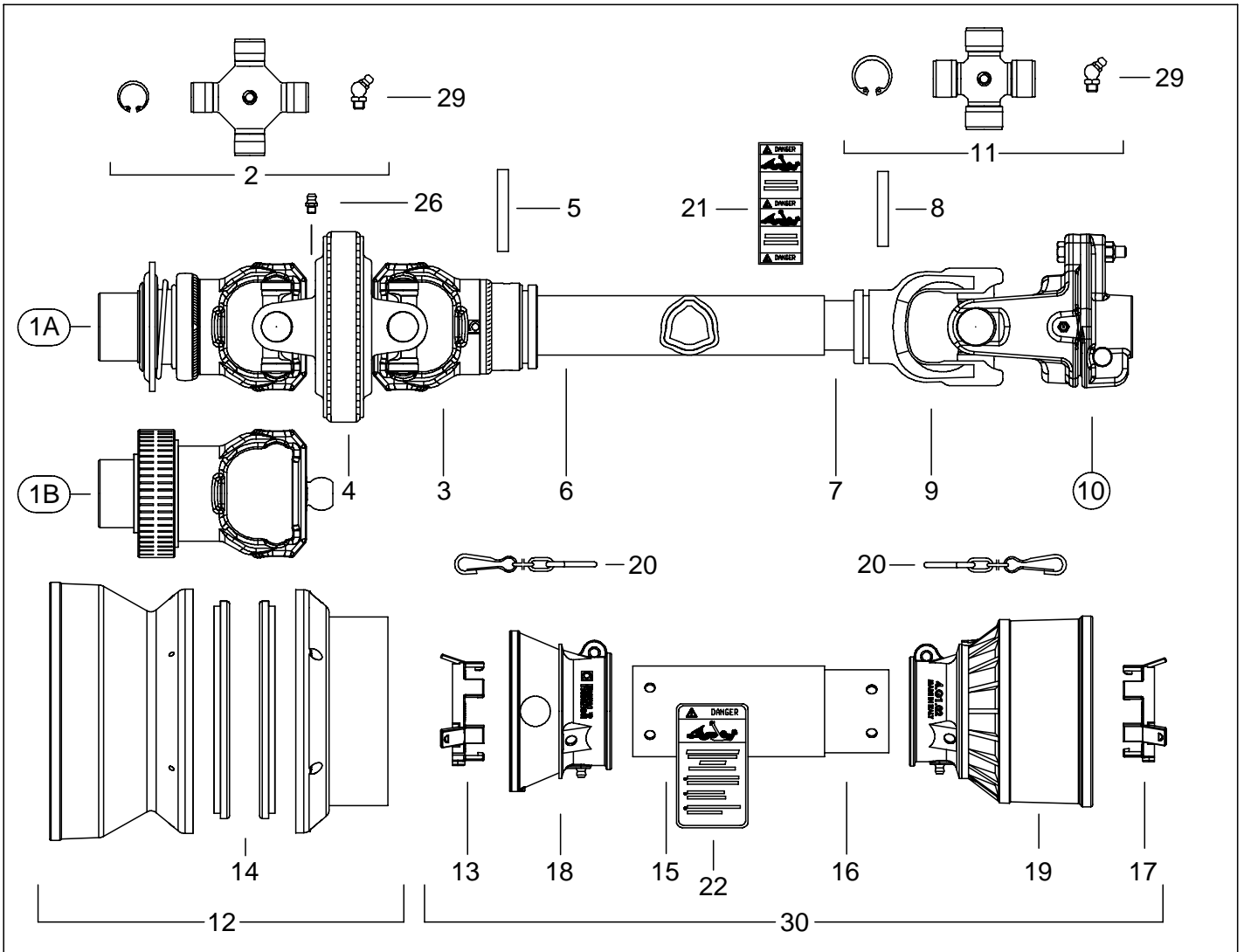
** FOR 21.5 x 16.1 TIRES ONLY

HYDRAULIC VACUUM HATCH KIT

PARTS LIST				PARTS LIST			
ITEM	PART NUMBER	DESCRIPTION	QTY	ITEM	PART NUMBER	DESCRIPTION	QTY
1	376-04-01-000	HYDRAULIC VACUUM HATCH LESS HYD.	1	1.6	R07785	1/2-13 UNC HEX NUT	4
1.1	376-04-02-000	MANHOLE ASSY	1	1.7	R08183	1/4" - 28 STRAIGHT GREASE FITTING	5
1.1.1	376-04-02-536	MANHOLE	1	1.8	368-54-00-293	ROLLER SLEEVE	2
1.1.2	376-04-02-537	ANGLE RING	1	1.9	368-54-00-292	LOCKING SHAFT	2
1.1.3	376-04-02-532	O RING SPACER	3	1.10	368-54-00-291	LOCKING BOLT	2
1.1.4	368-54-54-283	HINGE BRKT	2	1.11	R07827	3/4" FLAT WASHER	2
1.1.5	368-54-54-284	HINGE BRKT SLEEVE	2	1.12	368-54-00-294	LOCKING BOLT SUPPORT	2
1.2	376-04-03-000	VACUUM LID ASSY	1	1.13	368-54-00-281	HINGE PIN	1
1.2.1	376-04-03-533	LID	1	1.14	R07948	5/32 HAIR PIN	1
1.2.2	368-54-52-276	HINGE	2	1.15	368-54-00-296	SHIM	1
1.2.3	368-54-52-278	LID SLEEVE	1	1.16	R07787	3/4 - 10 UNC HEX NUT	2
1.3	376-04-04-000	CROSS SHAFT & DOG ASSY	1	2	368-54-02-000	CYLINDER BRKT ASSY	1
1.3.1	368-54-63-000	VACUUM LID BUSHING HOLDER ASSY	1	2.1	368-54-02-425	CYLINDER BRKT BASE PLATE	1
1.3.1.1	368-54-63-310	BUSHING HOLDER PLATE	1	2.2	368-54-00-295	CYLINDER BRKT	1
1.3.1.2	368-54-53-280	BUSHING HOLDER	2	3	R20732	2 x 20 HYDRAULIC CYLINDER	1
1.3.1.3	R21176	2 3/16 ID x 2 3/8 OD x 1 1/2 BUSHING	2	4	357-63-00-000	SAFETY BAR ASSY	1
1.3.2	376-04-04-534	CROSS SHAFT	1	4.1	357-63-00-320	SAFETY BAR	1
1.3.3	368-54-62-308	LOCKING DOG	2	4.2	357-63-00-332	SAFETY BAR	1
1.3.4	368-54-00-286	PIVOT BRKT	1	4.3	357-63-00-321	CROSS SAFETY BAR	1
1.3.5	368-54-62-329	STOP	2	4.4	357-63-00-322	STOP BAR	1
1.4	376-04-01-535	MANHOLE HATCH SEAL	1	4.5	R08016	1/4 x 2 COTTER PIN	1
1.5	R07639	1/2 x 2 UNC HEX BOLT	4	5	R21366	3/8" x 90° NPT STREET ELBOW	2



PTO - VACUUM



PTO - VACUUM

R21592 - 1 3/8" 6 TOOTH - 540 RPM

R21593 - 1 3/8" 21 TOOTH - 1000 RPM

R21585 - 1 3/4" 20 TOOTH - 1000 RPM

Table				
ITEM	MFG #	PART NUMBER	DESCRIPTION	QTY
1A		R22204	#4 1 3/8" CV YOKE-21T SLIDING COLLAR YOKE	1
		R22203	#4 1 3/8" CV YOKE-6T SLIDING COLLAR YOKE	1
1B	573043875	R21712	#4 1 3/4" CV YOKE-20T SLIDING COLLAR YOKE	1
2	4120440012	R21682	CROSS KIT	2
3	215046854	R21686	SHEAR YOKE	1
4	511040051	R21685	CENTRAL BODY	1
5	341038000	R21475	FLEXIBLE ROLL PIN - OUTER	1
6	225310630	R21689	CARDIN DRIVE TUBE - OUTER	1
7	245100630	R21690	CARDIN DRIVE TUBE - INNER	1
8	341048000	R21476	FLEXIBLE ROLL PIN - INNER	1
9	204046852	R21472	INNER TUBE YOKE	1
10	606404001	R21473	LB4/N4 1-3/8" Z6 1700NM PUSH PIN	1
11	41204	R21693	CROSS KIT #4 27x74.6	1
12	517048001	R21703	CONE KIT	1
13	255040005	R21696	SHIELD BEARING #3/4 OUTER	1
14	255040351	R21702	RING NUT DOWELS	2
15	236680577	R21698	OUTER TUBE	1
16	236670577	R21699	INNER TUBE	1
17	255040006	R21701	SHIELD BEARING #3/4 INNER	1
18	43500315R	R21485	CONE	1
19	517040061	R21700	SAFETY CONE	1
20	252000050R02	R21738	COMPLETE CHAIN	3
21	399143000	R21523	DANGER LABEL - OUTER DRIVE TUBE	1
22	399141000	R21521	DANGER/SHIELD LABEL	1
23	435000302R	R21673	BALL COLLAR KIT 1-3/8" 6T & 21T	1
24	348017000R20	R21687	GREASE FITTING M6x1 STRAIGHT	2
25	401000001	R21451	COMPLETE PUSH PIN 1-3/8" 6T	1
26	432000047R05	357-36-00-000	M8x1.25x45 SHEAR BOLT AND NUT - 5/PKG	1
27		R08251	M8x45 BOLT	1
28		R08252	M8 NUT	1
29	348004000	R21655	GREASE FITTING 45°	1
30	5F04121E1654	R22182	GUARD KIT	1
31	403000001	R21669	COMPLETE PUSH BUTTON - 1 3/4" - 20T	1
32	240080061	R21670	HUB - 1 3/4" - 20T	1

HUSKY FARM EQUIPMENT LIMITED

ALMA, ON

NOB 1A0

PHONE: (519) 846-5329

FAX: (519) 846-9378

FIVE YEAR AXLE WARRANTY

Husky Farm Equipment Limited will guarantee for five (5) years from date of invoice, all Manure Spreader undercarriages and axle assemblies, if used on a farm for farm purposes.

Husky will replace free of charge:

1. Any part of the axle which should break or collapse through normal use.
2. Any spindles or hubs which should break through normal use.
3. Any wheel and rim assemblies which should fail through normal use.

Exempt from extended warranty are:

1. Any part of the axle which should break or collapse through overload. Overload includes: Any attachments (ie. injectors) and any product being transported in Spreader weighing more than 10 lb/gallon. (ie. manure mixed with sand).
2. Bearings and tires which are covered under normal warranty and do require maintenance to avoid failure.
3. Wheel or rim damage resulting from owner failing to keep wheel bolts tight.
4. Spindles damaged through bearing failure.
5. Any axle that is custom built.
6. Any axle used in commercial custom hauling applications.

To qualify for extended warranty, damaged parts must be returned to Husky Farm Equipment Limited, prepaid shipping, along with serial number and copy of the original invoice.

All parts supplied by Husky on warranty, will be shipped freight collect. Extended warranty covers damaged parts only and does not cause liability on Husky for any damage resulting from such failure.

TEN YEAR WARRANTY AGAINST RUSTOUT

Husky Farm Equipment provides a ten (10) year warranty from date of invoice, against premature perforation (rust out) of any liquid manure spreader manufactured. Providing the manure spreader is used for manure or sludge and not for chemical products.

Extended warranty is pro rated and will be paid only through the crediting off of the then current list price of a replacement manure spreader of the portion of warranty not used up in time.

Warranty will be effective toward replacing spreader only and no cash payment will be made. It will be understood that the original equipment to be replaced will then become property of Husky Farm Equipment Limited.

This extended warranty will be effective through Husky Farm Equipment factory or factory outlet only. A copy of the original invoice is to be supplied along with the serial number. This warranty will not be effective for commercial custom haulers or to owners other than the original.

Transportation to and from the factory is to be paid for by the owner of the equipment and not by Husky Farm Equipment Limited.