

*Office copy
Aug 12/87 15 ml
Sept 21/87 10 ml
Oct 30/87 10 ml*

DATE PURCHASED _____ MACHINE SERIAL NO. _____
OPTIONS _____

PLEASE NOTE:

The key number system in this parts book is arranged as follows:

- 0 --Key number with one circle denotes main assemblies
- Key numbers not circled are individual parts

Please order parts by number

MODEL "E"
12000 & 14000 LITRE
LIQUID MANURE SPREADER

OPERATING REQUIREMENTS FOR TANKER MANURE SPREADERS:

1. Heed all warnings.
2. Minimum HP requirements to safely operate on level terrain, on hilly terrain HP should be increased.

4500L	70 HP
7000L	85 HP
9000L	95 HP
12000L	110 HP
14000L	130 HP
15000L	140 HP
18000L	160 HP
23000L	200 HP

3. If machine is equipped with hydraulic brakes that are operated from the tractor hydraulics, they will not work should the tractor motor stop.

Inspect brakes before each use. Brakes must be bled before initial use unless installed at factory.

When releasing brakes the tractor hydraulic lever must be put in the opposing position to release pressure. Do not put in float position they will not release.

OPERATING REQUIREMENTS CONT'D):

4. Tractor PTO spline must be approximately 14" (355mm) from end of compressed PTO for proper adjustment.
5. Hitch tanker to tractor with minimum of 1" (25mm) hardened hitch pin with a safety lock. Use 10,000 Lbs safety chain from spreader to tractor.
6. Do not use tongue jack stand to support loaded spreader. Put jack in storage position before using.
7. When hooking PTO to tractor make sure motor is stopped. Make sure QD (Quick Disconnect) safety locking pin is in locked position before using.
8. Clean off hose ends before plugging into tractor hydraulics. If spreader is equipped with hydraulic drive on spreading attachment, make sure tractor has sufficient oil flow and pressure to maintain satisfactory spread pattern, if not use another tractor.
9. After using spreader in freezing condition make sure impeller housing is drained.
10. Wash tank inside and out each time work is finished. This will increase life of tank by many years.
11. Make sure spreader is equipped with the proper fan and PTO for the RPM of tractor PTO.
12. Do not drive on public roads after dusk unless equipped with lights required by Department of Transportation in your area.
13. Remove wheels annually and regrease wheel bearings.
14. Because manure smells, many farmers have made unfriendly neighbours. If in a residential area a manure injector is a recommended option to bury the smell.
15. Much of the fertilizer value of manure is lost when exposed to air. Getting the manure covered quickly is a very important part of spreading manure.
16. When not using spreader leave valve open so discharge will not freeze.
17. If rustproof coating on interior shows signs of deterioration, have interior repainted. This can be done with a roller or brush. This helps to increase the life of your spreader. It is a valuable maintenance procedure.

SAFETY INSTRUCTIONS:

Do not operate this machine until you fully understand the safe operating practices.

1. Make sure all moving parts are shielded to prevent coming in contact with loose clothing.
2. Keep children clear, do not let children or anyone ride on the spreader at anytime.
3. Do not support loaded spreader on tongue jack.
4. Keep tire pressure to recommended pressure at all times. Recommended tire pressure being:

		<u>Lbs</u>	<u>KPA</u>
40 x 14	Airplane Tires	55	379
44 x 16		55	379
47 x 18 x 18		55	379
50 x 20 x 20		55	379
16.5L x 16.1	Implement Tires	35	241
21.5L x 16.1		35	241
23.1L x 26	Turf Tires	24	166
28 L x 26		24	166
23.5L x 25	Loader Dozer Tires	35	241
18L x 22.5	Truck Tires	65	448

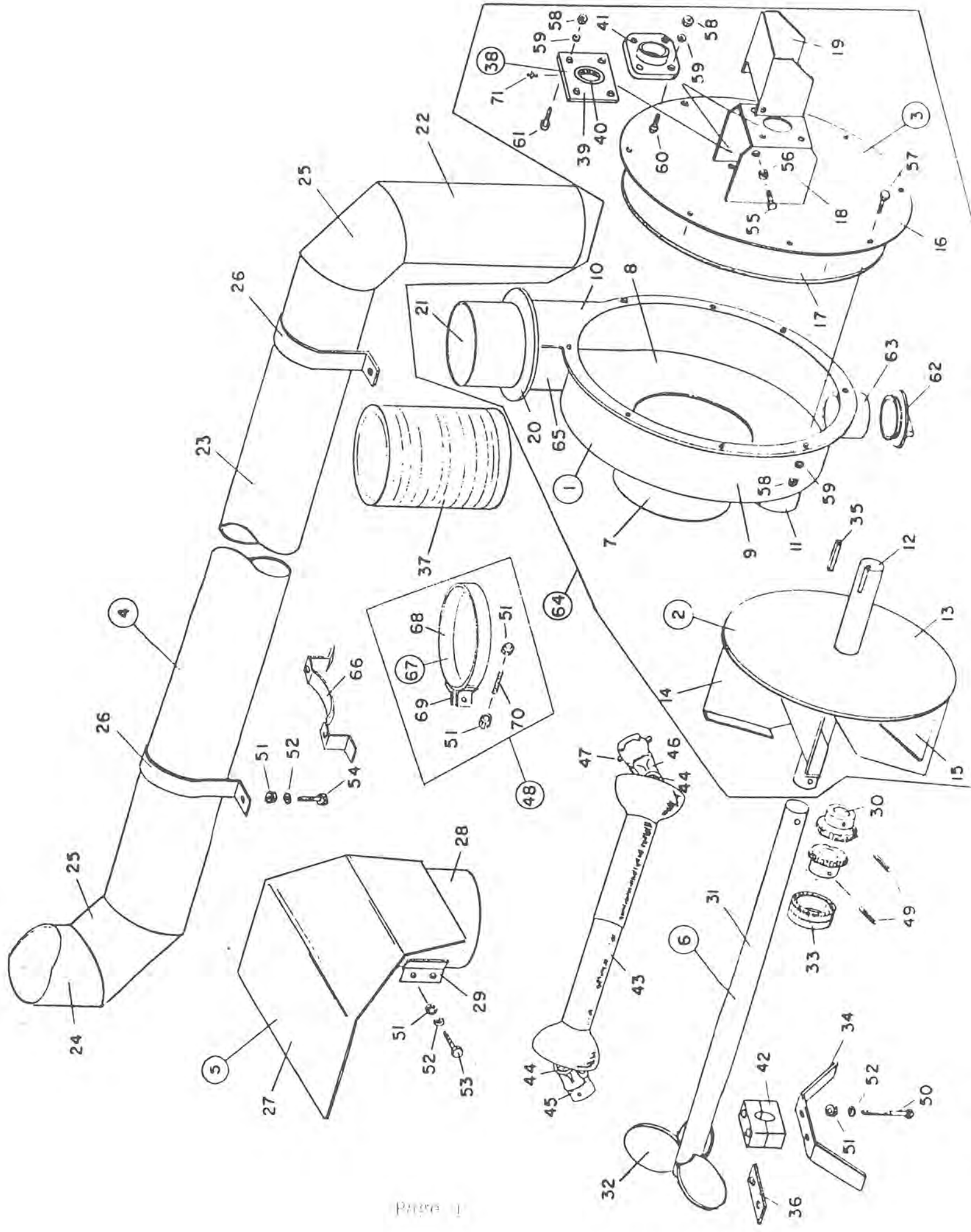
1 Lb = 6.8947 KPA

5. Keep wheel bolts torqued to recommended torque at all times. Recommended torque being:

Wheel Bolt Size	Torque		Torque	
	<u>Dry</u>	<u>Ft./lbs.</u> <u>Oiled</u>	<u>Dry</u>	<u>Meter/kg</u> <u>Oiled</u>
9/16 - 18 NF	120	90	16.59	12.44
5/8 - 18 NF	180	130	24.88	17.97
3/4 - 16 NF	300	220	41.48	30.42

(CHECK DAILY)

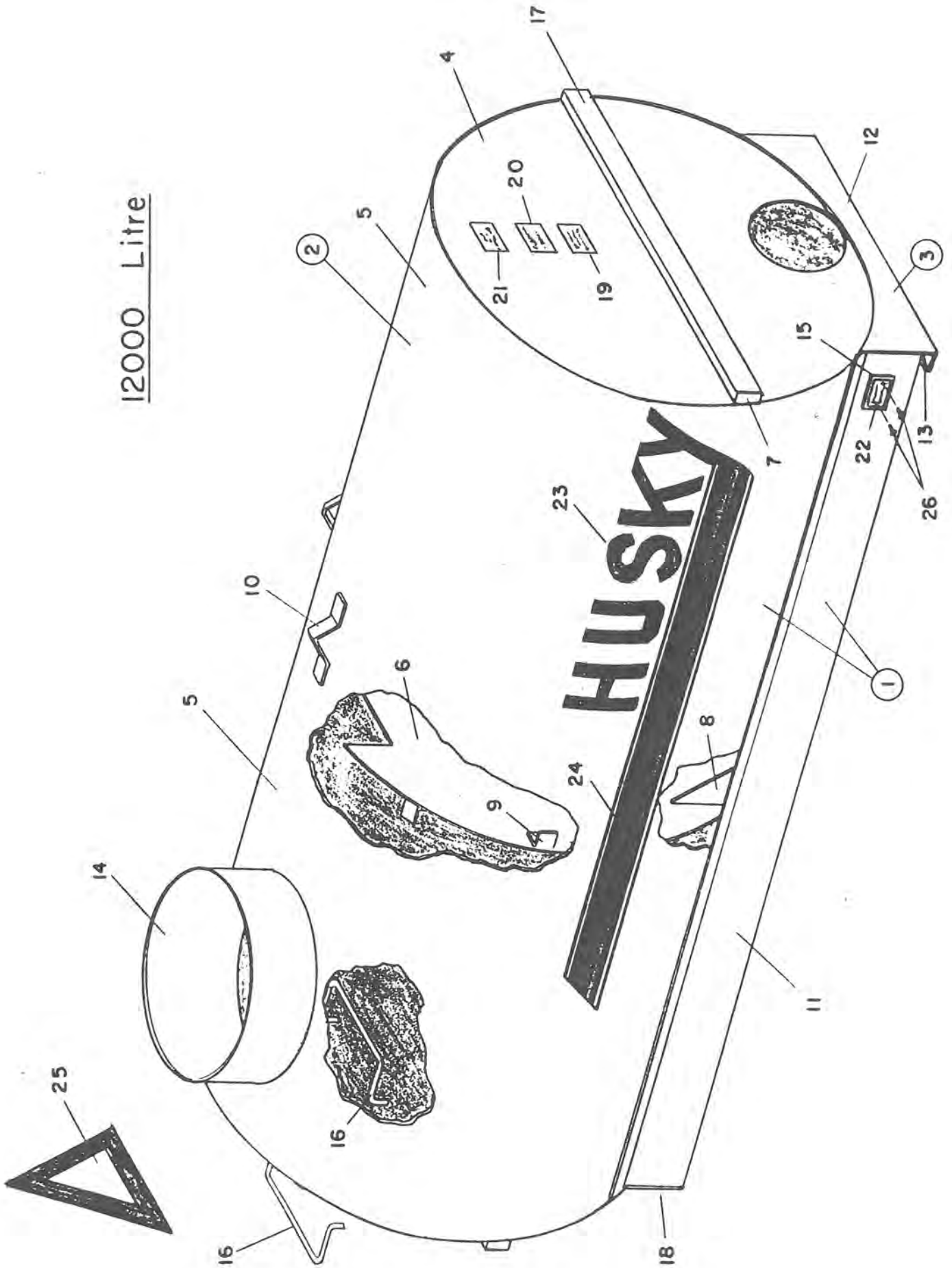
6. Never enter a tanker without special breathing equipment to supply oxygen. Manure gases can kill instantly. One breath of Hydrogen Sulfide can kill.
7. When hooking up or repairing hydraulic hoses always wear safety glasses and relieve pressure to avoid getting oil in eyes.
8. Caution - disc brakes will not release unless valve lever is held momentarily in opposite position. This will relieve pressure in brake line. Do not put in float position, they will not release.



Key	Part Number	Description	Qty
1	364-01-03-000	Fan Housing Assy	1
2	364-03-00-000	Fan Assy	1
3	364-04-00-000	Fan Housing Cover Assy	1
4	364-19-00-000	Discharge Pipe Assy - 12000 & 14000 L	1
5	364-21-00-000	Splash Plate Assy	1
6	364-22-00-000	Agitator Assy	1
7	364-01-03-016	Outlet Ring	1
8	364-01-03-017	Housing Back Plate	1
9	364-01-03-018	Housing Band	1
10	364-01-03-019	Housing Flange	1
11	364-01-00-002	Fan Housing Support Pipe	1
12	364-03-00-021	Fan Shaft	1
13	364-03-00-022	Fan Back Plate	1
14	364-03-00-023	Fan Blade	4
15	364-03-00-024	Fan Blade Gusset	4
16	364-04-00-026	Housing Cover Plate	1
17	364-04-00-027	Housing Cover Plate Support	1
18	364-04-00-028	Outer Brg Mount	1
19	364-00-00-029	Flip Guard	1
20	364-01-03-062	Discharge Ring	1
21	364-01-03-063	Discharge Tube	1
22	364-19-00-064	Vertical Discharge Pipe	1
23	364-19-00-065	Horizontal Discharge Pipe	1
24	364-19-00-067	Discharge Pipe End Piece	1
25	364-19-00-082	Discharge Pipe Corner Piece	2
26	364-00-00-083	Discharge Clamp Upper Piece	2
27	364-21-00-069	Splash Plate	1
28	364-21-00-070	Clamping Tube	1
29	364-21-00-071	Clamping Tube Brkt	2
30	364-00-00-085	#50-16 Coupler Sprocket	2
31	364-22-00-074	Agitator Shaft	1
32	364-22-00-075	Agitator Blade	3
33	R20885	#50-2 Coupler Chain	1
34	364-00-00-077	Brg Holder	1
35	300-00-00-060	Key	1

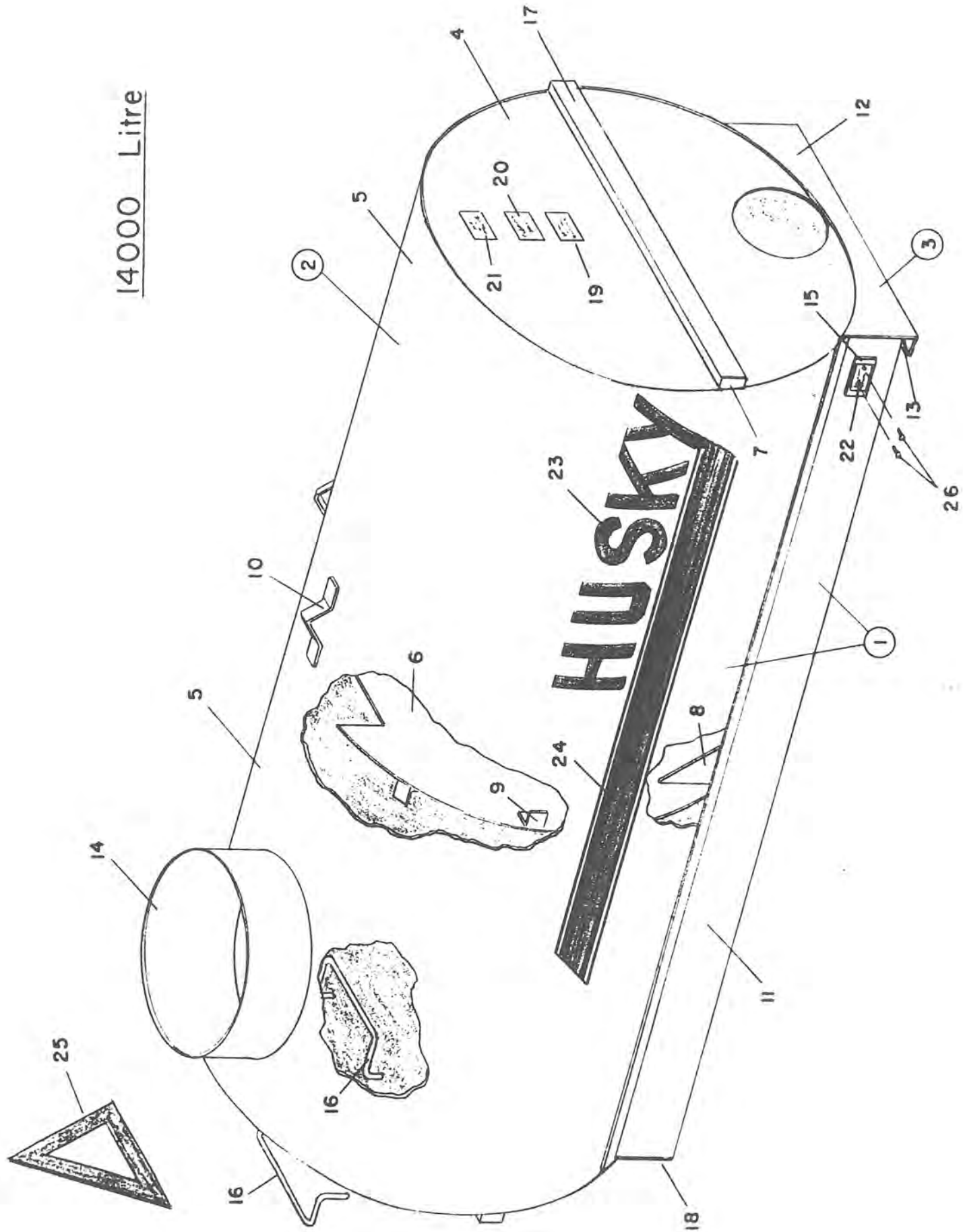
Key	Part Number	Description	Qty
36	300-00-00-062	Brg Plate	1
37	364-00-00-066	Flex Hose	1
38	364-24-00-000	Double Seal & Plate Kit	1
39	364-00-00-086	Double Seal Plate	1
40	R21182	Seal	1
41	R20192	1 1/4 Fafnir Brg	2
42	R20228	1 1/4 Wood Brg	1
43	R20296	1240 Series PTO - Short	1
44	R20304	Journal & Brg Kit	2
45	R20306	1 1/4 Round Hole Yoke	1
46	R20302	QD Yoke - 540 RPM	1
47	R20305	QD Parts Kit	
48	250-54-00-000	6" Clamp Kit	2
49	R07952	5/16 x 2 Roll Pin	2
50	R07625	3/8 x 4 Hex Bolt	2
51	R07783	3/8 Hex Nut	8
52	R07803	3/8 Lockwasher	8
53	R07622	3/8 x 2 1/2 Hex Bolt	2
54	R07675	3/8 x 1 1/4 Hex Bolt	2
55	R07619	3/8 x 1 Hex Bolt	2
56	R07886	3/8 Lock Nut	2
57	R07677	7/16 x 1 1/4 Hex Bolt	8
58	R07784	7/16 Hex Nut	16
59	R07804	7/16 Lockwasher	16
60	R07733	7/16 x 1 1/2 Carriage Bolt	4
61	R07734	7/16 x 2 Carriage Bolt	4
62	R02286	3" ABS Plug	1
63	315-30-09-100	Drain Pipe	1
64	364-23-00-000	Model 'E' Fan & Housing Kit	
65	364-01-03-081	Fan Housing Vertical Pc	1
66	364-00-00-084	Discharge Clamp Upper Pc	2
67	250-26-23-000	6" Clamp Assy	2
68	250-26-23-100	Clamp Band	2
69	206-19-00-081	Pipe Clamp Angle	4
70	242-00-00-144	Clamp Reddi Rod	2
71	R08183	1/4-28 UNF Grease Fitting	1

12000 Litre



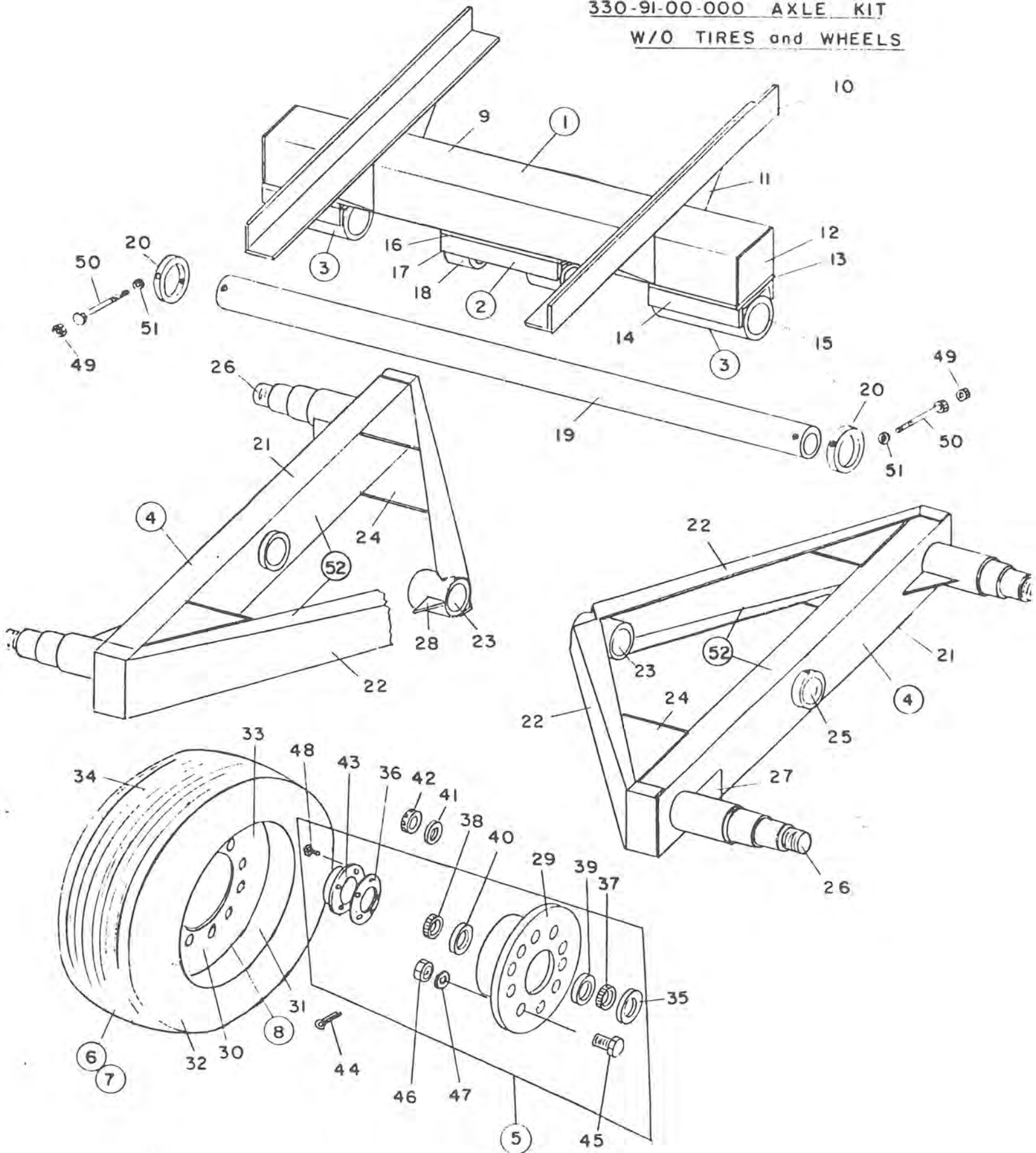
Key	Part Number	Description	Qty
1	363-09-00-000	12000 L Tank & Sill Assy	1
2	326-88-25-000	12000 L Tank Assy	1
3	363-09-07-000	12000 L Front Cross Member Assy	1
4	326-88-25-277	12000 L Tank End	2
5	326-88-25-278	12000 L Tank Shell	2
6	326-88-25-279	12000 L Baffle	1
7	330-66-00-258	Stiffener Caps	4
8	340-01-01-459	Baffle Gusset	4
9	300-01-00-016	Baffle Brkt	8
10	300-01-00-012	Lift Hook	3
11	326-89-00-283	Sill	2
12	363-09-07-051	12000 L Cross Member	1
13	364-02-05-005	Cross Member Support	1
14	364-02-00-006	Manhole	1
15	340-01-00-498	Serial Number Plate	1
16	364-02-00-008	Ladder Rung	6
17	330-66-00-257	Tank Stiffener	2
18	326-89-00-284	Sill Cap	2
19	R09503	Warning Sticker	1
20	R09512	Capacity Sticker	1
21	R09509	Made In Canada Sign	1
22	R09071	Serial No	1
23	R09510	Husky Sticker	2
24	R09511	Accent Strip	2
25	R09501	Slow Moving Vehicle Sign	1
26	R08162	type U drive Screw #4 x 1/4	2

14000 Litre



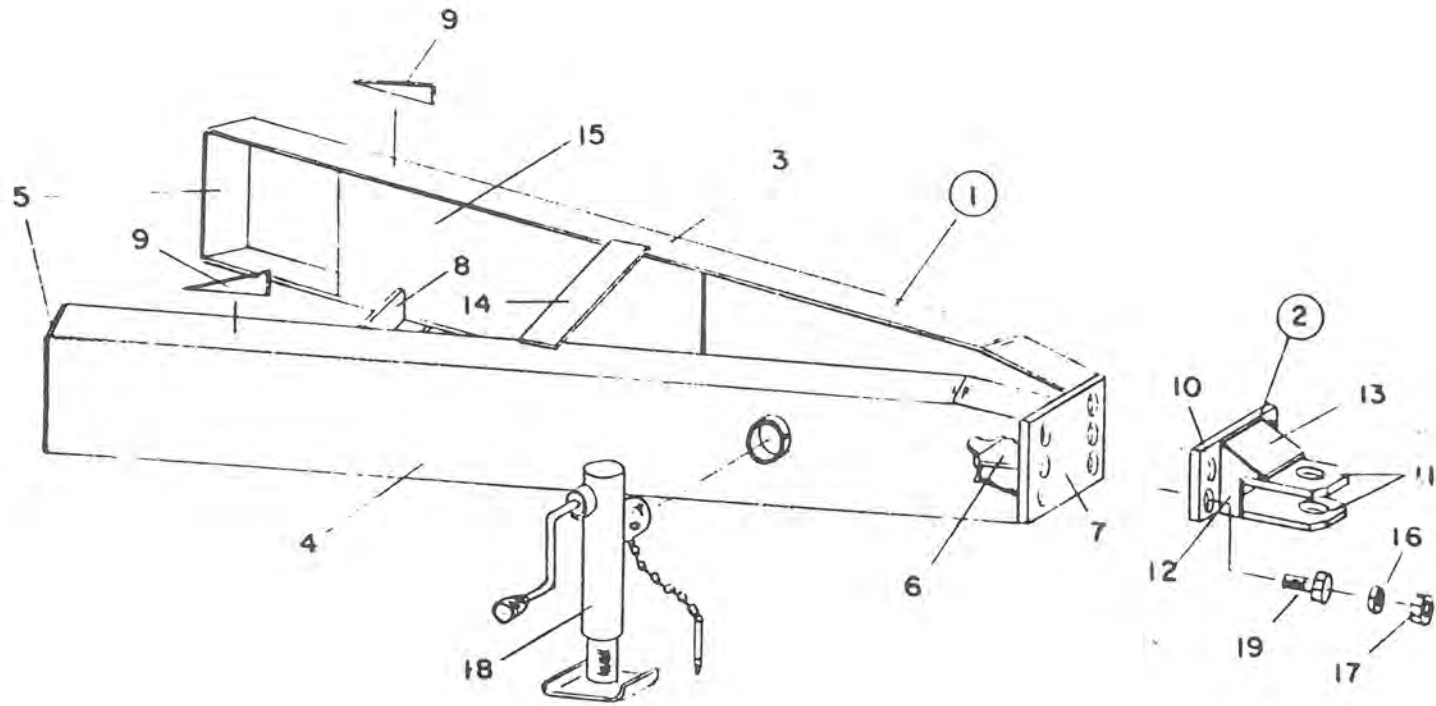
Key	Part Number	Description	Qty
1	364-02-00-000	14000 L Tank & Sill Assy	1
2	330-66-21-000	14000 L Tank Assy	1
3	364-02-05-000	14000 L Front Cross Member Assy	1
4	330-66-21-254	14000 L Tank End	2
5	330-66-21-255	14000 L Tank Shells	2
6	330-66-21-256	14000 L Baffle	1
7	330-66-00-258	Stiffener Caps	4
8	340-01-01-459	Baffle Gusset	4
9	300-01-00-016	Baffle Brkt	8
10	300-01-00-012	Lift Hook	3
11	330-67-00-259	14000 L Sill	2
12	364-02-05-004	14000 L Cross Member	1
13	364-02-05-005	Front Cross Member Support	1
14	364-02-00-006	Manhole	1
15	340-01-00-498	Serial Number Plate	1
16	364-02-00-008	Ladder Rung	6
17	330-66-00-257	Tank Stiffener	2
18	330-67-00-260	Sill Cap	2
19	R09503	Warning Sticker	1
20	R09512	Capacity Sticker	1
21	R09509	Made In Canada Sign	1
22	R09071	Serial No	1
23	R09510	Husky Sticker	2
24	R09511	Accent Strip	2
25	R09501	Slow Moving Vehicle Sign	1
26	R08162	Type U Drive Screw #4 x 1/4	2

330-91-00-000 AXLE KIT
W/O TIRES and WHEELS



Key	Part Number	Description	Qty
1	330-69-00-000	Base Frame Assy	1
2	330-69-22-000	Centre Sleeve Assy	1
3	325-62-18-000	Stationary Sleeve Assy	2
4	330-91-36-000	Walking Beam Assy w/Welded Spindles	2
5	340-43-00-000	Husky 10 Bolt Hub Complete	4
6	340-54-00-000	21.5 x 16.1 - 14 Ply Tire & Wheel 10 Bolt	*
7	340-19-00-000	18 x 22.5 Tire & Wheel - used Truck Tire	4
8	340-45-00-000	Wheel Assy for 21.5 Tire	4
9	330-69-00-261	Cross Axle Support	1
10	315-35-00-131	Sill Angle Plate	2
11	315-31-00-116	Double Gusset	4
12	325-62-00-238	Cover Plate	2
13	325-62-18-239	Long Bar Spacer	2
14	325-62-18-240	Long Channel Spacer	2
15	315-35-00-130	Stationary Sleeve	2
16	330-69-22-262	Centre Bar Spacer	1
17	330-69-22-263	Centre Channel Spacer	1
18	330-69-22-264	Centre Sleeve	2
19	330-00-00-265	Main Axle Tube	1
20	315-00-00-137	Retaining Ring	2
21	325-63-00-245	Walking Beam	2
22	325-63-00-246	Tandem Side Arm	4
23	325-63-00-247	Inside Rocker Sleeve	2
24	330-91-44-526	Gusset	8
25	315-33-00-127	Rocker Outer Sleeve	2
26	330-91-36-485	Welded Spindle - 10 Bolt Hub	4
27	330-91-36-486	Spindle Gusset	4
28	325-63-00-244	Tandem Gusset	4
29	340-43-00-451	Husky 10 Bolt Hub - w/Cups	4
30	340-45-00-461	Centre Disc	4
31	R20056	Rim	4
32	R20014	21.5 x 16.1 14 Ply Implement Tire	4
33	R20059	10 Bolt Wheel 13.5 x 22.5	*
34	R20011	Used Truck Tire - 18 x 22.5	*
35	R20083	Seal	4
36	R20084	Dust Cap Seal	4
37	R20086	Inner Cone	4
38	R20087	Outer Cone	4
39	R20088	Inner Cup	4
40	R20089	Outer Cup	4
41	R20091	Spindle Washer 1 13/16"	4
42	R20092	Spindle Nut 1 3/4 - 12 UNF	4
43	R20093	Dust Cap	4
44	R20095	Cotter Pin 5/16 x 4	4
45	R20096	Wheel Bolts	40
46	R07820	Wheel Nuts	40
47	R07834	3/4" Fedalloy Washer	40
48	R07690	Dust Cap Bolts 5/16 x 5/8	16
49	R07785	1/2" Hex Nut	2
50	R07644	1/2 x 5 Hex Bolt	2
51	R07805	1/2" Lock Washer	2
52	330-91-44-000	Tandem Side Assy - 10 Bolt	2

* Optional



Key	Part Number	Description	Qty
1	364-01-02-000	Tongue Assy	1
2	364-05-00-000	Hitch Assy	1
3	364-01-02-010	R H Tongue Member	1
4	364-01-02-011	L H Tongue Member	1
5	364-01-02-012	Tongue Caps	2
6	364-01-02-013	Hitch Gusset	1
7	364-01-02-014	Hitch Bolt Plate	1
8	364-01-02-015	Cross Member	1
9	364-01-00-001	Back Tongue Gusset	2
10	364-05-00-030	Hitch Back Plate	1
11	364-05-00-031	Hitch Plate	2
12	364-05-00-032	Hitch Side Gusset	2
13	364-05-00-033	Hitch Upper Gusset	1
14	364-01-02-079	Tongue Top Cross Member	1
15	364-01-02-078	Tongue Stiffener	2
16	R07807	3/4 Lock Washer	4
17	R07787	3/4 Hex Nut	4
18	R09751	7000 Lb Side Wind Jack	1
19	R07655	3/4 x 2 1/2 Hex Bolt	4