

Office copy  
Dec 2/85  
2d made

DATE PURCHASED \_\_\_\_\_ MACHINE SERIAL NO. \_\_\_\_\_  
OPTIONS \_\_\_\_\_

**PLEASE NOTE:**

The key number system in this parts book is arranged as follows:

- 0 --Key number with one circle denotes main assemblies
- Key numbers not circled are individual parts

Please order parts by number

MODEL "E"  
12000 & 14000 LITRE  
15000 L  
LIQUID MANURE SPREADER

OPERATING REQUIREMENTS FOR TANKER MANURE SPREADERS:

1. Heed all warnings.
2. Minimum HP requirements to safely operate on level terrain, on hilly terrain HP should be increased.

4500L	.....	70 HP
7000L	.....	85 HP
9000L	.....	95 HP
12000L	.....	110 HP
14000L	.....	130 HP
15000L	.....	140 HP
18000L	.....	160 HP
23000L	.....	200 HP

3. If machine is equipped with hydraulic brakes that are operated from the tractor hydraulics, they will not work should the tractor motor stop.

Inspect brakes before each use. Brakes must be bled before initial use unless installed at factory.

When releasing brakes the tractor hydraulic lever must be put in the opposing position to release pressure. Do not put in float position they will not release.

OPERATING REQUIREMENTS CONT'D):

4. Tractor PTO spline must be approximately 14" (355mm) from end of compressed PTO for proper adjustment.
5. Hitch tanker to tractor with minimum of 1" (25mm) hardened hitch pin with a safety lock. Use 10,000 Lbs safety chain from spreader to tractor.
6. Do not use tongue jack stand to support loaded spreader. Put jack in storage position before using.
7. When hooking PTO to tractor make sure motor is stopped. Make sure QD (Quick Disconnect) safety locking pin is in locked position before using.
8. Clean off hose ends before plugging into tractor hydraulics. If spreader is equipped with hydraulic drive on spreading attachment, make sure tractor has sufficient oil flow and pressure to maintain satisfactory spread pattern, if not use another tractor.
9. After using spreader in freezing condition make sure impeller housing is drained.
10. Wash tank inside and out each time work is finished. This will increase life of tank by many years. See item 6 of Safety instructions.
11. Make sure spreader is equipped with the proper fan and PTO for the RPM of tractor PTO.
12. Do not drive on public roads after dusk unless equipped with lights required by Department of Transportation in your area.
13. Remove wheels annually and regrease wheel bearings.
14. Because manure smells, many farmers have made unfriendly neighbours. If in a residential area a manure injector is a recommended option to bury the smell.
15. Much of the fertilizer value of manure is lost when exposed to air. Getting the manure covered quickly is a very important part of spreading manure.
16. When not using spreader leave valve open so discharge will not freeze.
17. If rustproof coating on interior shows signs of deterioration, have interior repainted. This can be done with a roller or brush. This helps to increase the life of your spreader. It is a valuable maintenance procedure.

SAFETY INSTRUCTIONS:

Do not operate this machine until you fully understand the safe operating practices.

1. Make sure all moving parts are shielded to prevent coming in contact with loose clothing.
2. Keep children clear, do not let children or anyone ride on the spreader at anytime.
3. Do not support loaded spreader on tongue jack.
4. Keep tire pressure to recommended pressure at all times. Recommended tire pressure being:

		<u>Lbs</u>	<u>KPA</u>
40 x 14	Airplane Tires	55	379
44 x 16		55	379
47 x 18 x 18		55	379
50 x 20 x 20		55	379
16.5L x 16.1	Implement Tires	35	241
21.5L x 16.1		35	241
23.1L x 26	Turf Tires	24	166
28 L x 26		24	166
23.5L x 25	Loader Dozer Tires	35	241
18L x 22.5	Truck Tires	65	448

1 Lb = 6.8947 KPA

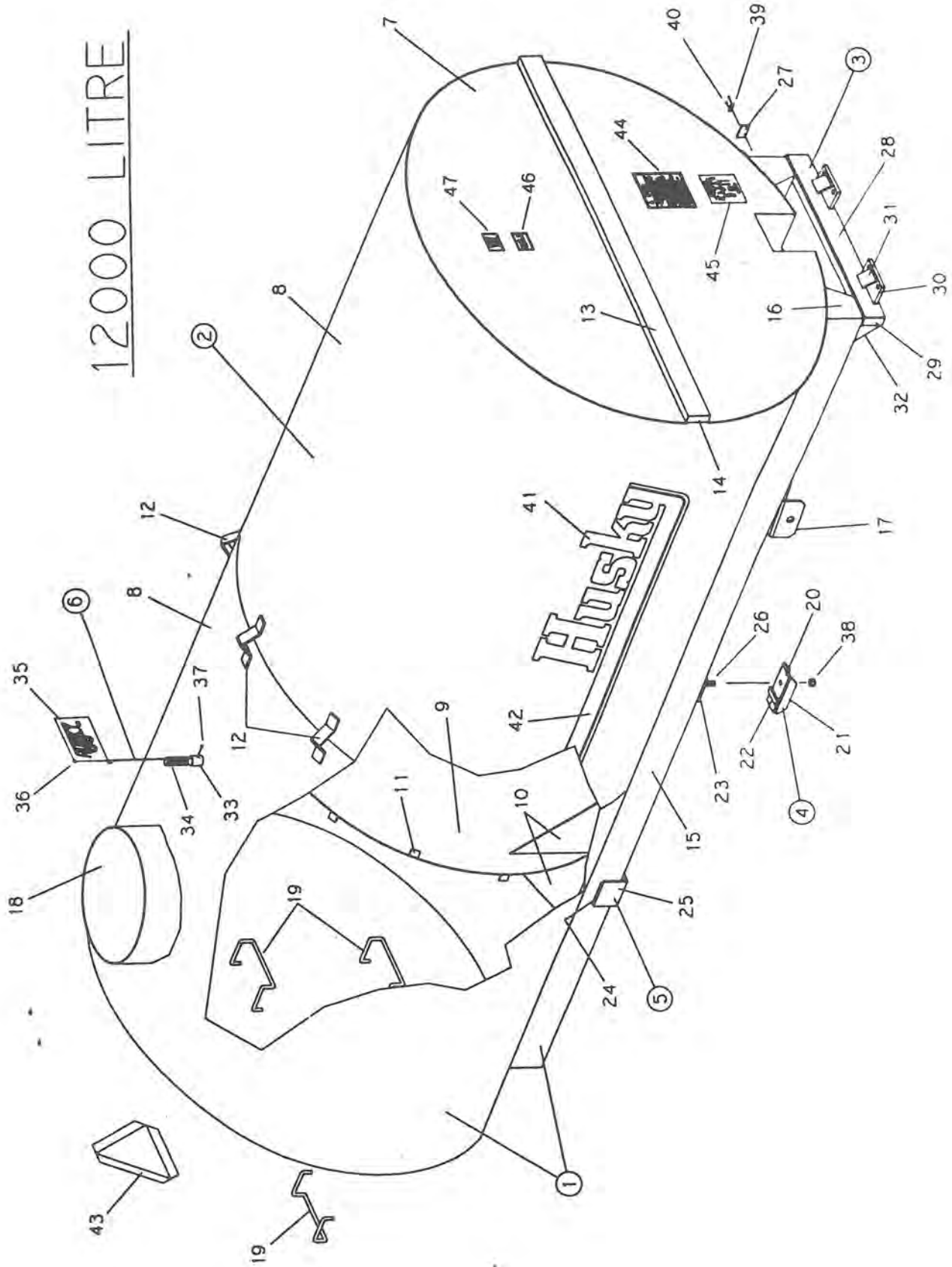
5. Keep wheel bolts torqued to recommended torque at all times. Recommended torque being:

Wheel Bolt Size	Torque		Torque	
	Dry	Ft./lbs. Oiled	Dry	Meter/kg Oiled
9/16 - 18 NF	120	90	16.59	12.44
5/8 - 18 NF	180	130	24.88	17.97
3/4 - 16 NF	300	220	41.48	30.42

(CHECK DAILY)

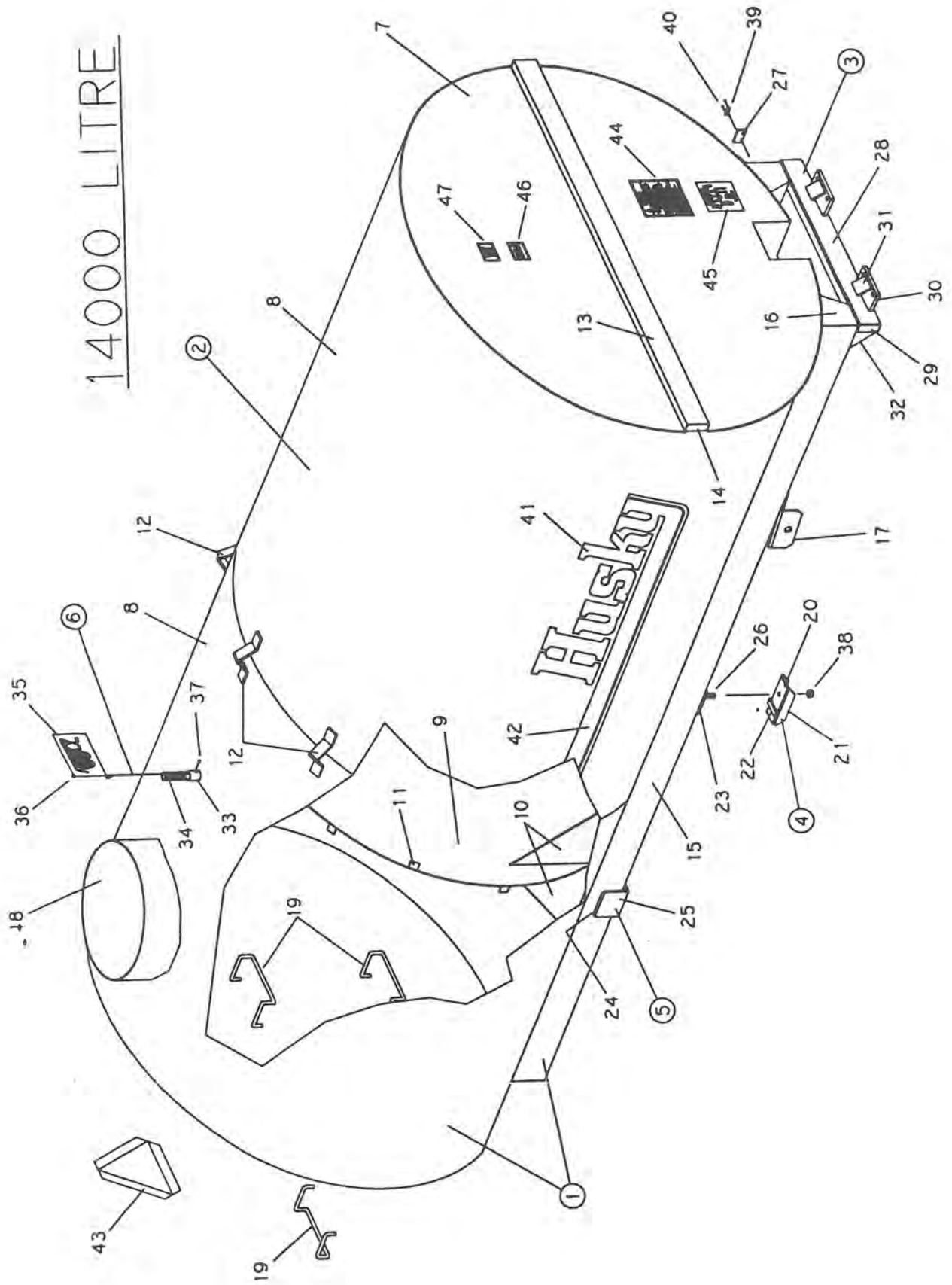
6. Never enter a tanker without special breathing equipment to supply oxygen. Manure gases can kill instantly. One breath of Hydrogen Sulfide can kill.
7. When hooking up or repairing hydraulic hoses always wear safety glasses and relieve pressure to avoid getting oil in eyes.
8. Caution - disc brakes will not release unless valve lever is held momentarily in opposite position. This will relieve pressure in brake line. Do not put in float position, they will not release.

12000 LITRE



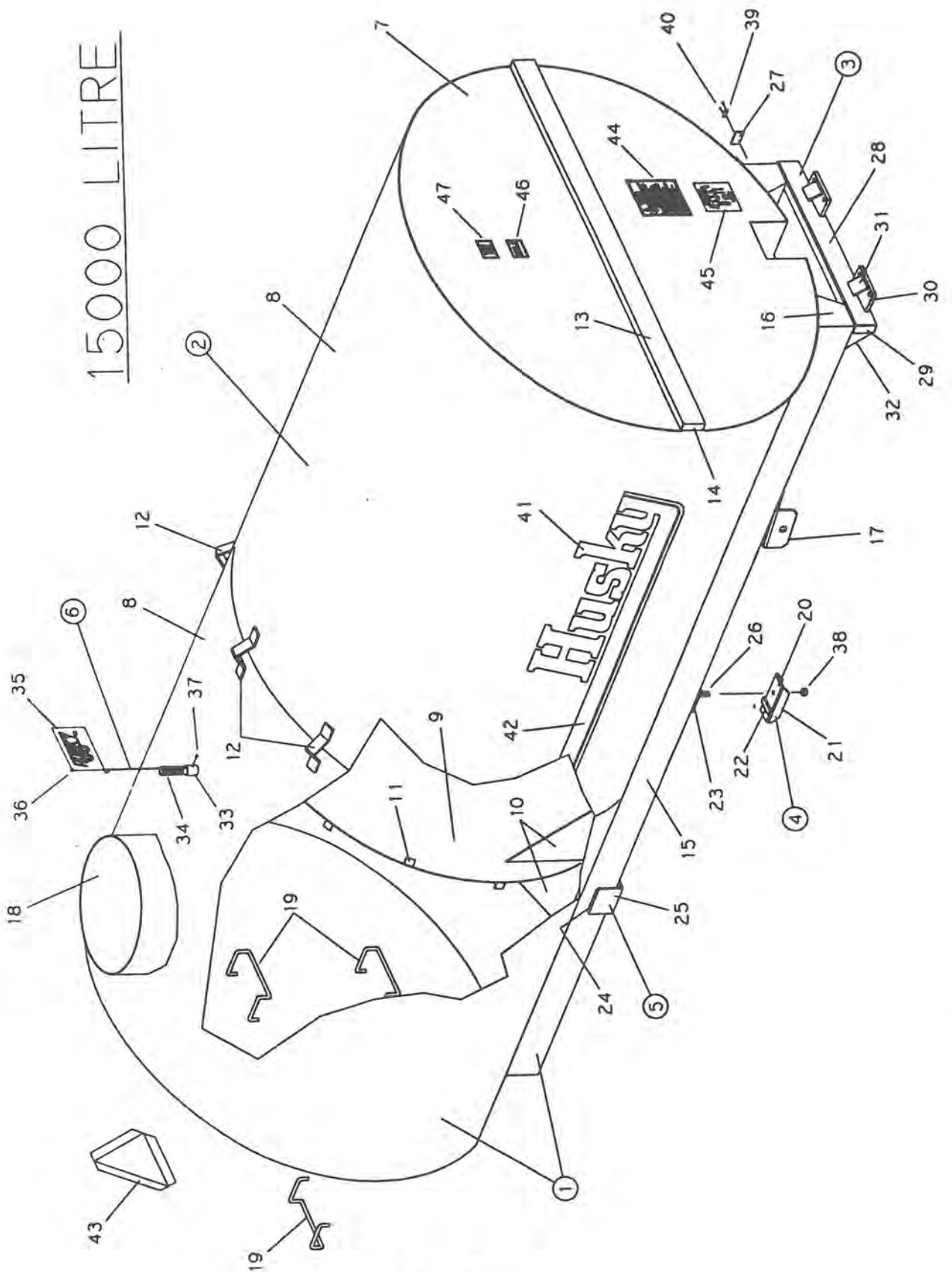
Key	Part Number	Description	Qty
1	363-09-00-000	12000 L Tank & Sill Assy	1
2	326-88-25-000	12000 L Tank Assy	1
3	364-02-17-000	Cross Member Assy	1
4	340-41-00-000	Clamping Brkt Assy	2
5	340-01-20-000	Axle Rear Stop Assy	2
6	340-62-00-000	Husky Flag Kit	1
7	326-88-25-277	12000 L Tank End	2
8	326-88-25-278	12000 L Tank Shell	2
9	326-88-25-279	12000 L Baffle	1
10	340-01-01-459	Baffle Gusset	4
11	300-01-00-016	Baffle Brkt	8
12	300-01-00-012	Lift Hook	3
13	330-66-00-257	Tank Stiffener	2
14	330-66-00-258	Stiffener Caps	4
15	326-89-00-283	12000 L Sill	2
16	326-89-00-284	Sill Cap	4
17	315-31-00-115	Tongue U Piece	2
18	364-02-00-006	Manhole	1
19	364-02-00-008	Ladder Rung	6
20	340-41-00-442	Clamping Brkt	2
21	340-41-00-443	Clamping Brkt Gusset	4
22	340-41-00-444	Filler Bar	2
23	340-01-00-445	Front Spacer	2
24	340-01-20-446	Axle Rear Inner Stop	2
25	340-01-20-447	Axle Rear Outer Support	2
26	340-00-00-448	Scraper Blade Bolt	2
27	340-01-00-498	Serial Number Plate	1
28	364-02-17-120	Cross Member	1
29	364-02-17-121	End Cap	2
30	364-02-17-122	Tongue Strap	2
31	364-02-17-123	Tongue Strap Gusset	2
32	364-02-17-124	Cross Member Gusset	2
33	340-00-00-536	Flag Spring Holder	1
34	R08037	Flag Spring	1
35	R07935	Husky Flag	1
36	R21371	Plastic Tip	1
37	R07926	5/16 - 18 x 1/4 SS Set Screw	1
38	R07878	3/4" Nylon Insert Nut	2
39	R09071	Serial Number	1
40	R08162	Type 'U' Drive Screw 4 x 1/4	2
41	R09510	Husky Decal	2
42	R09511	Accent Strip	2
43	R09501	Slow Moving Vehicle Sign	1
44	R09503	Warning Sticker	1
45	R09730	Tire Pressure Sticker	1
46	R09509	Made In Canada Sticker	1
47	R09512	Capacity Sticker	1

14000 LITRE

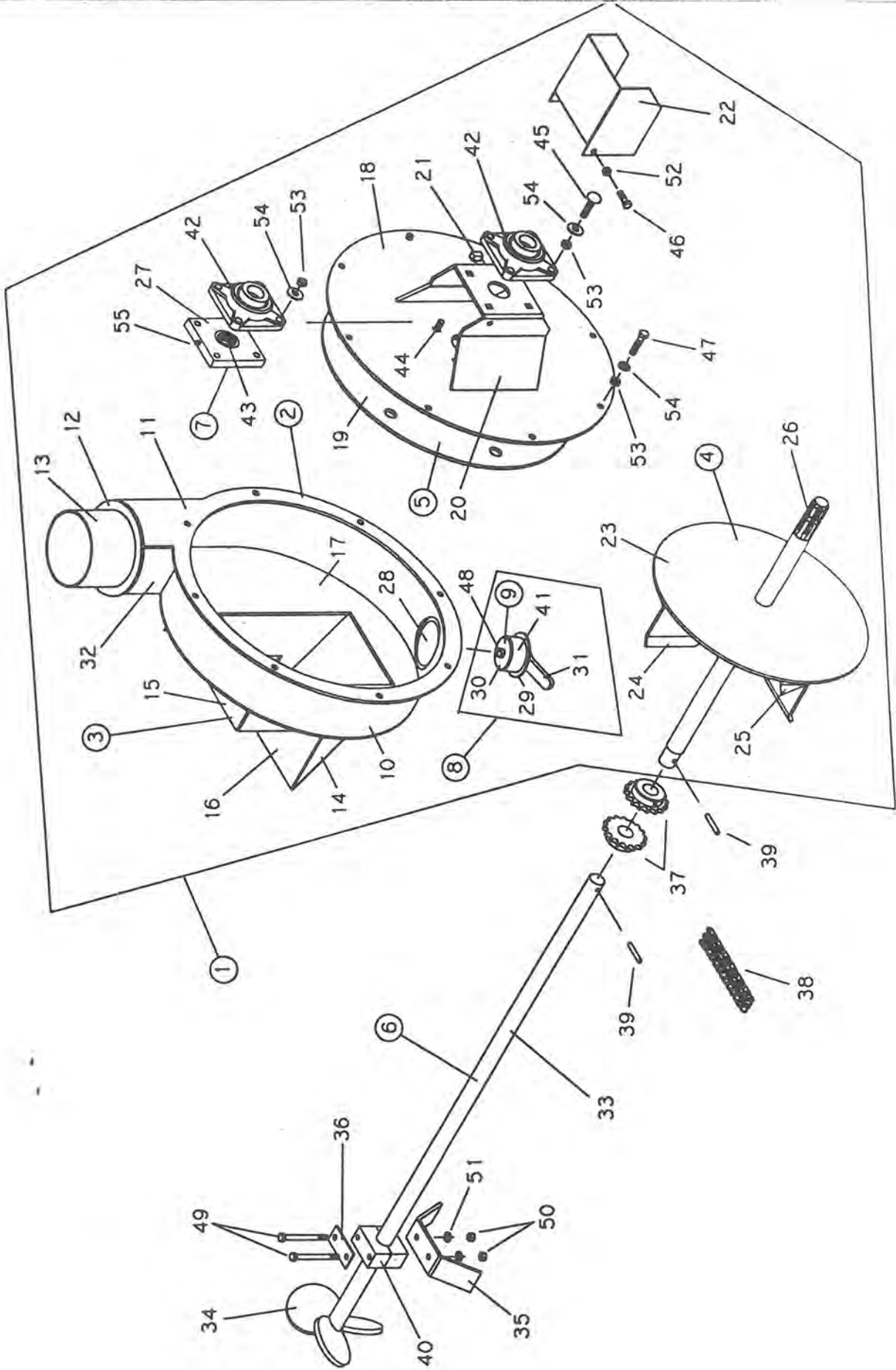


key	Part Number	Description	Qty
1	364-02-00-000	14000 L Tank & Sill Assy	1
2	330-66-21-000	14000 L Tank Assy	1
3	364-02-17-000	Cross Member Assy	1
4	340-41-00-000	Clamping Brkt Assy	2
5	340-01-20-000	Axle Rear Stop Assy	2
6	340-62-00-000	Husky Flag Kit	1
7	330-66-21-254	14000 L Tank End	2
8	330-66-21-255	14000 L Tank Shell	2
9	330-66-21-256	14000 L Baffle	1
10	340-01-01-459	Baffle Gusset	4
11	300-01-00-016	Baffle Brkt	8
12	300-01-00-012	Lift Hook	3
13	330-66-00-257	Tank Stiffener	2
14	330-66-00-258	Stiffener Caps	4
15	330-67-00-259	14000 L Sill	2
16	330-67-00-260	Sill Cap	4
17	315-31-00-115	Tongue U Piece	2
18	364-02-00-006	Manhole	1
19	364-02-00-008	Ladder Rung	6
20	340-41-00-442	Clamping Brkt	2
21	340-41-00-443	Clamping Brkt Gusset	4
22	340-41-00-444	Filler Bar	2
23	340-01-00-445	Front Spacer	2
24	340-01-20-446	Axle Rear Inner Stop	2
25	340-01-20-447	Axle Rear Outer Support	2
26	340-00-00-448	Scraper Blade Bolt	2
27	340-01-00-498	Serial Number Plate	1
28	364-02-17-120	Cross Member	1
29	364-02-17-121	End Cap	2
30	364-02-17-122	Tongue Strap	2
31	364-02-17-123	Tongue Strap Gusset	2
32	364-02-17-124	Cross Member Gusset	2
33	340-00-00-536	Flag Spring Holder	1
34	R08037	Flag Spring	1
35	R07935	Husky Flag	1
36	R21371	Plastic Tip	1
37	R07926	5/16 -18 x 1/4 SS Set Screw	1
38	R07878	3/4" Nylon Insert Nut	2
39	R09071	Serial Number	1
40	R08162	Type 'U' Drive Screw #4 x 1/4	2
41	R09510	Husky Decal	2
42	R09511	Accent Strip	2
43	R09501	Slow Moving Vehicle Sign	1
44	R09503	Warning Sticker	1
45	R09730	Tire Pressure Sticker	1
46	R09509	Made In Canada Sticker	1
47	R09512	Capacity Sticker	1

15000 LITRE

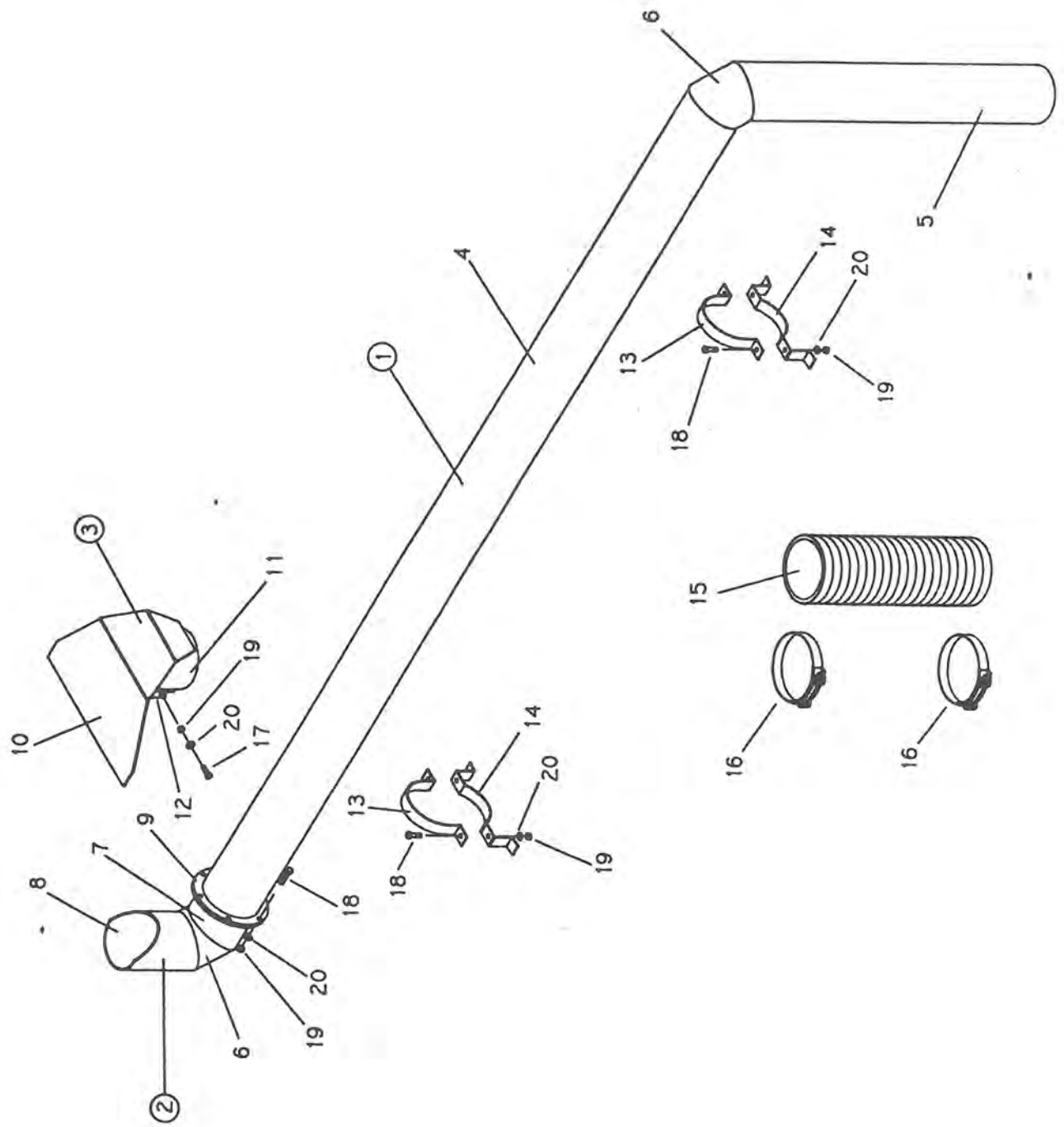




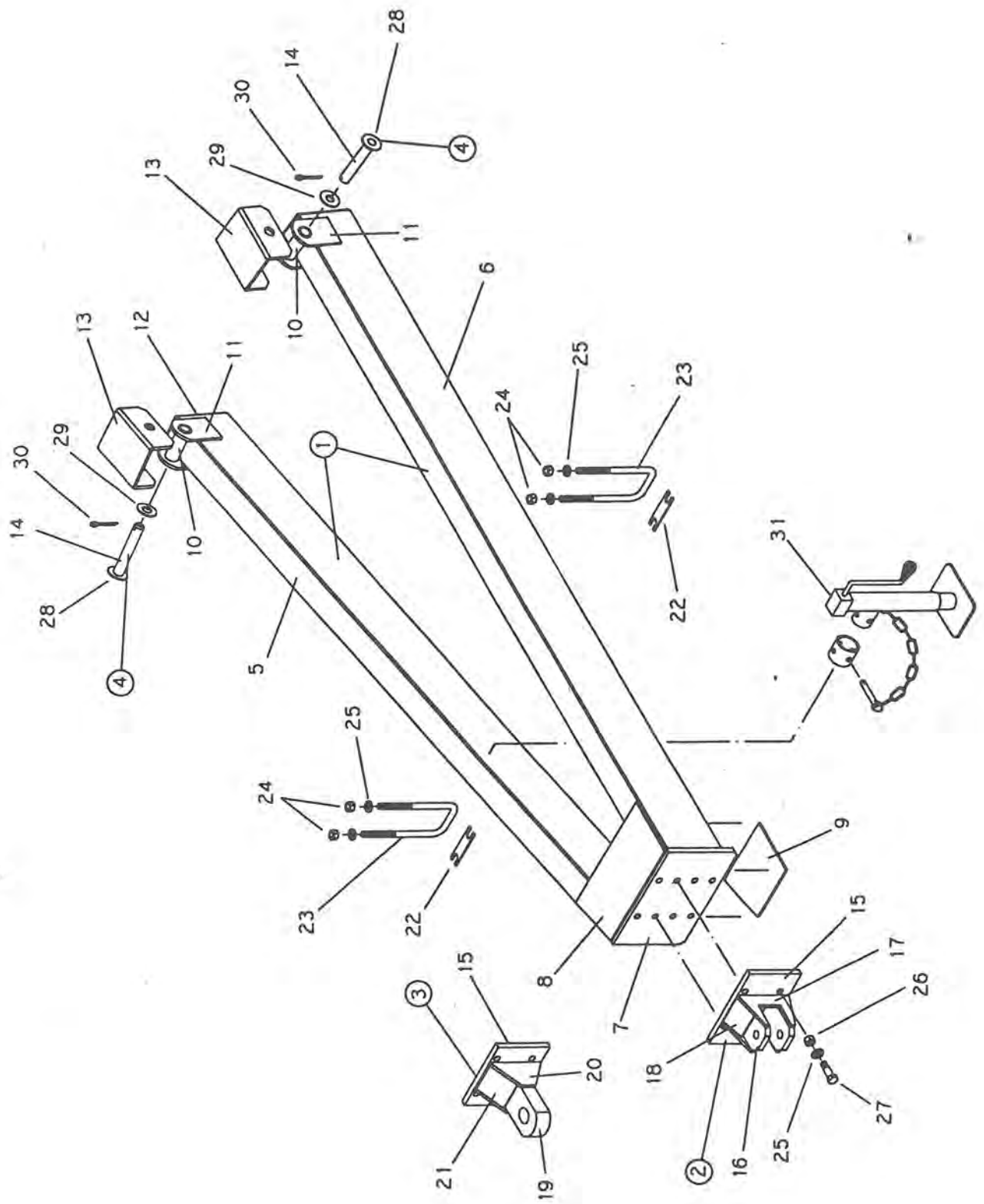


Key	Part Number	Description	Qty
1	359-29-00-000	15000 L Tank & Sill Assy	1
2	335-01-01-000	15000 L Tank Assy	1
3	364-02-17-000	Cross Member Assy	1
4	340-41-00-000	Clamping Brkt Assy	2
5	340-01-20-000	Axle Rear Stop Assy	2
6	340-62-00-000	Husky Flag Kit	1
7	330-66-21-254	15000 L Tank End	2
8	330-66-21-255	15000 L Tank Shell	1
	335-01-01-002	15000 L Tank Shell	1
9	330-66-21-256	15000 L Baffle	1
10	340-01-01-459	Baffle Gusset	4
11	300-01-00-016	Baffle Brkt	8
12	300-01-00-012	Lift Hook	3
13	330-66-00-257	Tank Stiffener	2
14	330-66-00-258	Stiffener Caps	4
15	335-01-00-001	15000 L Sill	2
16	330-67-00-260	Sill Caps	4
17	315-31-00-115	Tongue U Piece	2
18	364-02-00-006	Manhole	1
19	364-02-00-008	Ladder Rung	6
20	340-41-00-442	Clamping Brkt	2
21	340-41-00-443	Clamping Brkt Gusset	4
22	340-41-00-444	Filler Bar	2
23	340-01-00-445	Front Spacer	2
24	340-01-20-446	Axle Rear Inner Stop	2
25	340-01-20-447	Axle Rear Outer Support	2
26	340-00-00-448	Scraper Blade Bolt	2
27	340-01-00-498	Serial Number Plate	1
28	364-02-17-120	Cross Member	1
29	364-02-17-121	End Cap	2
30	364-02-17-122	Tongue Strap	2
31	364-02-17-123	Tongue Strap Gusset	2
32	364-02-17-124	Cross Member Gusset	2
33	340-00-00-536	Flag Spring Holder	1
34	R08037	Flag Spring	1
35	R07935	Husky Flag	1
36	R21371	Plastic Tip	1
37	R07926	5/16 - 18 x 1/4 SS Set Screw	1
38	R07878	3/4" Nylon Insert Nut	2
39	R09071	Serial Number	1
40	R08162	Type "U" Drive Screw #4 x 1/4	2
41	R09510	Husky Decal	2
42	R09511	Accent Strip	2
43	R09501	Slow Moving Vehicle Sign	1
44	R09503	Warning Sticker	1
45	R09730	Tire Pressure Sticker	1
46	R09509	Made In Canada Sticker	1
47	R09512	Capacity Sticker	1

Key	Part Number	Description	Qty
1	364-23-00-000	Model E Fan & Housing Kit	
2	364-01-03-000	Fan Housing Assy	1
3	364-01-15-000	Housing Back Plate Assy	1
4	364-03-00-000	Fan Assy - 540 RPM	1
	364-39-00-000	Fan Assy - 1000 RPM	*
5	364-04-00-000	Fan Housing Cover Assy	1
6	364-22-00-000	Agitator Assy	1
7	364-24-00-000	Double Seal & Plate Kit	1
8	364-40-00-000	Drain Plug Kit	1
9	364-34-00-000	Bolt & Washer Assy	1
10	364-01-03-018	Housing Band	1
11	364-01-03-019	Housing Flange	1
12	364-01-03-062	Discharge Ring	1
13	364-01-03-063	Discharge Tube	1
14	364-01-03-103	Outlet Side Piece	2
15	364-01-03-104	Outlet Top Piece	1
16	364-01-03-105	Outlet Bottom Piece	1
17	364-01-03-106	Housing Back Plate	1
18	364-04-00-026	Housing Cover Plate	1
19	364-04-00-027	Cover Plate Support	1
20	364-04-00-028	Outer Brg Mount	1
21	364-04-00-090	Flip Guard Stop	1
22	364-00-00-029	Flip Guard	1
23	364-03-00-022	Fan Back Plate	1
24	364-03-00-023	Fan Blade - 540 RPM	4
	364-39-00-130	Fan Blade - 1000 RPM	4
25	364-03-00-024	Fan Blade Gusset	4
26	364-03-00-089	Fan Shaft	1
27	364-00-00-086	Double Seal Kit	1
28	364-01-03-110	Drain Pipe	1
29	364-00-00-112	Large Galv Washer	1
30	364-00-00-113	Small Galv Washer	1
31	364-00-00-114	Handle	1
32	364-01-03-081	Fan Housing Vertical Piece	1
33	364-22-00-074	Agitator Shaft	1
34	364-22-00-075	Agitator Blade	3
35	364-00-00-077	Brg Holder	1
36	300-00-00-062	Brg Plate	1
37	364-00-00-085	#50-16 Coupler Sprocket	2
38	R20885	#50-2 Coupler Chain	1
39	R07952	5/16 x 2 Roll Pin	2
40	R20228	1 1/4 Wood Brg	1
41	R20281	Urethene Plug	1
42	R20185	1 3/8 Flange Brg	2
43	R21183	Seal	2
44	R07735	7/16 x 2 1/2 Carriage Bolt	4
45	R07734	7/16 x 2 Carriage Bolt	4
46	R07619	3/8 x 1 Hex Bolt	2
47	R07677	7/16 x 1 1/4 Hex Bolt	8
48	R08236	3/8 x 2 SS Hex Bolt	1
49	R07625	3/8 x 4 Hex Bolt	2
50	R07783	3/8 Hex Nut	2
51	R07803	3/8 Lock Washer	2
52	R07886	3/8 Lock Nut	2
53	R07784	7/16 Hex Nut	16
54	R07804	7/16 Lock Washer	16
55	R08183	1/4-28 UNF Grease Fitting	1



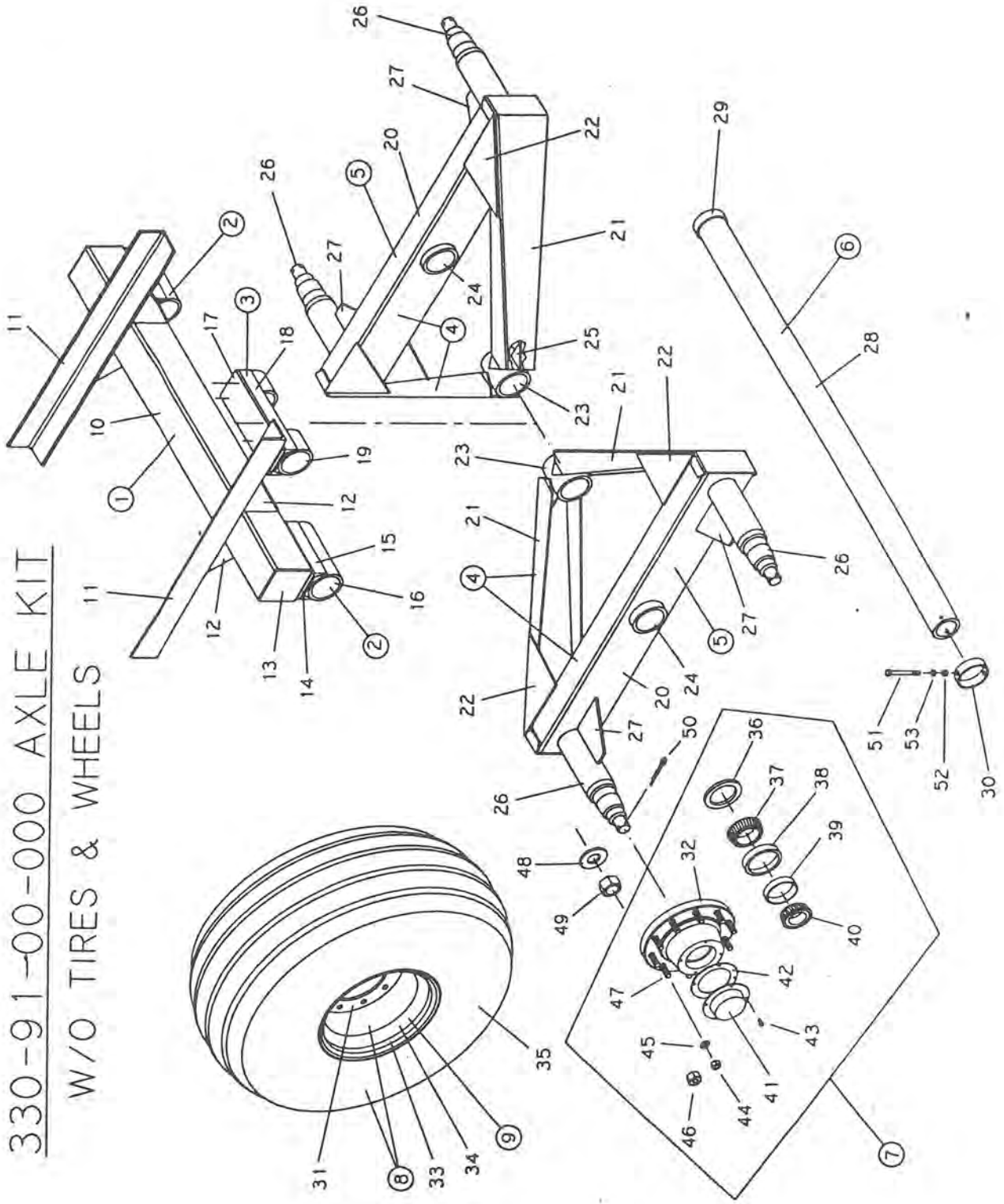
Key	Part Number	Description	Qty
1	364-19-00-000	Discharge Pipe Assy - 12000 & 14000 L	1
	359-30-00-000	Discharge Pipe Assy - 15000 L	1
	362-20-00-000	Discharge Pipe Assy - 7000 & 9000 L	1
2	364-25-00-000	Discharge Pipe End Section	1
3	364-21-00-000	Splash Plate Assy	1
4	364-19-00-065	Horizontal Discharge Pipe - 12000 & 14000	1
	359-30-00-108	Horizontal Discharge Pipe - 15000 L	1
	362-20-00-068	Horizontal Discharge Pipe - 7000 & 9000 L	1
5	364-19-00-064	Vertical Discharge Pipe	1
6	364-19-00-082	Discharge Pipe Corner Piece	2
7	364-25-00-088	Discharge Pipe Flange Piece	1
8	364-25-00-067	Discharge Pipe End Piece	1
9	364-19-00-087	Discharge Ouoe Flange	2
10	364-21-00-069	Splash Plate	1
11	364-21-00-070	Clamping Tube	1
12	364-21-00-071	Clamping Tube Brkt	2
13	364-00-00-083	Discharge Clamp Upper Piece	2
14	364-00-00-084	Discharge Clamp Base Piece	2
15	364-00-00-066	Flex Hose	1
16	R02482	6" Clamp	2
17	R07622	3/8 x 2 1/2 Hex Bolt	2
18	R07675	3/8 x 1 1/4 Hex Bolt	10
19	R07783	3/8 Hex Nut	12
20	R07803	3/8 Lock Washer	12



Key	Part Number	Description	Qty
1	364-35-00-000	Tongue Assy	1
2	364-05-00-000	Std Hitch Assy	1
3	364-26-00-000	Single Point Hitch Assy	*
4	315-39-00-000	Lock Pin Assy	2
5	364-35-00-115	R H Tongue Tube	1
6	364-35-00-116	L H Tongue Tube	1
7	364-35-00-117	Hitch Bolt Plate	1
8	364-35-00-118	Tongue Tube Upper Gusset	1
9	364-35-00-119	Tongue Tube Lower Gusset	1
10	315-36-00-145	Bushing	2
11	315-36-00-146	Side Piece	4
12	315-36-00-147	Tongue Tube End Cap	2
13	315-31-00-115	Tongue 'U' Piece	2
14	315-39-00-155	Lock Pin	2
15	364-05-00-030	Hitch Back Plate	1
16	364-05-00-031	Hitch Plate	2
17	364-05-00-032	Hitch Side Gusset	2
18	364-05-00-033	Hitch Upper Gusset	2
19	364-26-00-091	Single Point Hitch	1
20	364-26-00-092	Single Point Hitch Gusset	2
21	364-26-00-093	Hitch Upper & Lower Gusset	2
22	364-00-00-131	U Bolt Spacer	2
23	R08172	3/4 NF x 10" U Bolt	2
24	R07820	3/4" NF Hex Nut	4
25	R07807	3/4" Lock Washer	8
26	R07787	3/4" Hex Nut	4
27	R07655	3/4 x 2 1/2 Hex Bolt	4
28	R07828	1" Flat Washer	2
29	R07830	1 1/4" Flat Washer	2
30	R08016	1/4 x 2 Cotter Pin	2
31	R09751	7000 lb Side Wind Jack	1

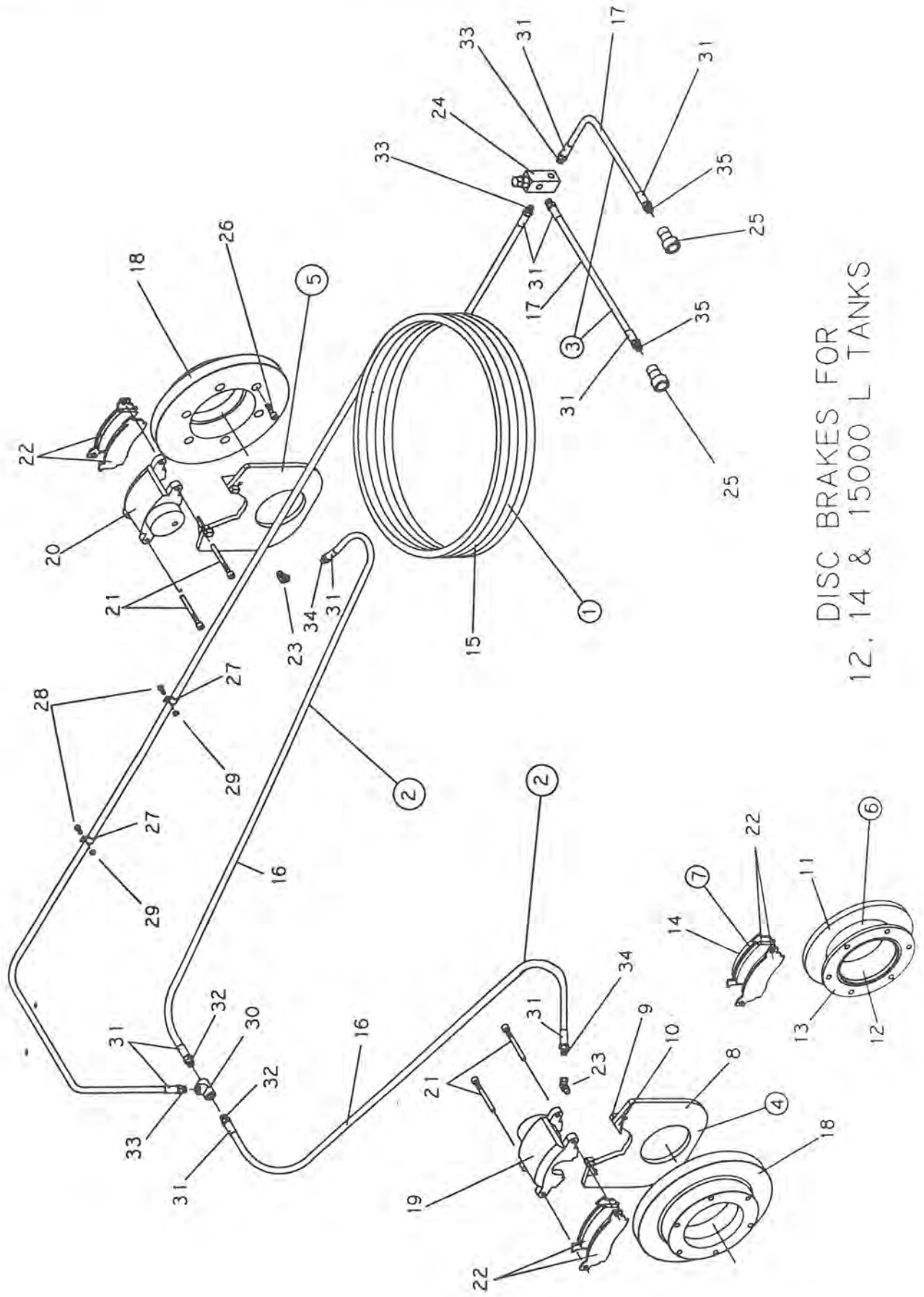
# 330-91-00-000 AXLE KIT

W/O TIRES & WHEELS





Key	Part Number	Description	Qty
1	330-69-00-000	Base Frame Assy	1
2	325-62-18-000	Stationary Sleeve Assy	2
3	330-69-22-000	Centre Sleeve Assy	1
4	330-91-44-000	Tandem Side Assy	2
5	330-91-36-000	Walking Beam Assy w/Welded Spindle	2
6	330-08-00-000	Axle Tube Assy	1
7	340-43-00-000	Husky 10 Bolt Hub Complete - 16000 Lb	4
8	340-54-00-000	21.5X16.1-14 Ply Tire & Wheel 10 Bolt	4
	326-02-00-000	21.5x16.1-10 Ply Tire & Wheel 10 Bolt	*
	340-19-00-000	18x22.5 Used Truck Tire & Wheel	*
9	340-45-00-000	Wheel Assy for 21.5 Tire	4
10	330-69-00-261	Cross Axle Support	1
11	315-35-00-131	Sill Angle Plate	2
12	315-31-00-116	Double Gusset	4
13	325-62-00-238	Cover Plate	2
14	325-62-18-239	Long Spacer Bar	2
15	325-62-18-240	Long Channel Spacer	2
16	315-35-00-130	Stationary Sleeve	2
17	330-69-22-262	Centre Bar Spacer	1
18	330-69-22-263	Centre Channel Spacer	1
19	330-69-22-264	Centre Sleeve	2
20	325-63-00-245	Walking Beam	2
21	325-63-00-246	Tandem Side Arm	4
22	330-91-44-526	Gusset	8
23	325-63-00-247	Inside Rocker Sleeve	2
24	315-33-00-127	Outer Rocker Sleeve	2
25	325-63-00-244	Gusset	4
26	330-91-36-485	Welded Spindle for 10 Bolt Hub	4
27	330-91-36-486	Spindle Gusset	4
28	330-08-00-527	Main Axle Tube	1
29	330-08-00-528	Stop Ring	1
30	315-00-00-137	Retaining Ring	1
31	340-45-00-461	Centre Disc	4
32	340-43-00-451	16000 Lb Hub w/Cups	4
33	R20056	Rim for 21.5 Tire	4
34	R20059	10 Bolt Wheel 13.5x22.5 for Truck Tire	*
35	R20014	21.5x16.1 14 Ply Implement Tire	4
	R20005	21.5x16.1 10 Ply Implement Tire	*
	R20011	18x22.5 Used Truck Tire	*
36	R20083	Seal CR-38730	4
37	R20086	Inner Cone #47687	4
38	R20088	Inner Cup #47620	4
39	R20089	Outer Cup #39520	4
40	R20087	Outer Cone #39585	4
41	R20093	Dust Cap	4
42	R20084	Dust Cap Gasket	4
43	R07690	Dust Cap Bolt 5/16 x 5/8	16
44	R07820	3/4-16 UNF Fedalloy Hex Nut (21.5 Wheel)	40
45	R07834	3/4" Fedalloy Flat Washer (21.5 Wheel)	40
46	R20097	3/4" SPH-RAD Wheel Nut (18x22.5 Wheel)	*
47	R20096	3/4-16 UNF Wheel Stud	40
48	R20091	1 13/16 Spindle Washer	4
49	R20092	1 3/4-12 UNF Spindle Nut	4
50	R20095	5/16 x 4 Cotter Pin	4
51	R07644	1/2 x 5 Hex Bolt	1
52	R07785	1/2" Hex Nut	1
53	R07805	1/2" Lock Washer	1



DISC BRAKES FOR  
12, 14 & 15000 L TANKS

DIS BRAKES 12000, 14000 & 15000 LITRE

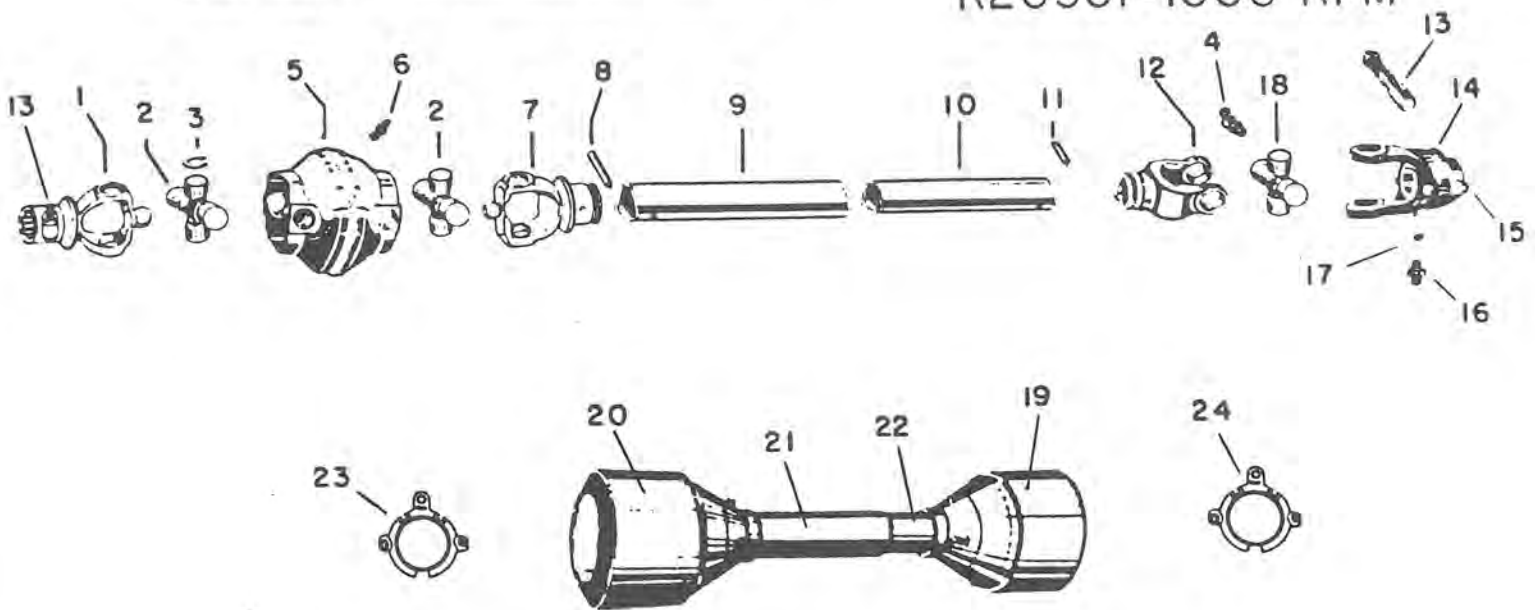
MANURE SPREADER

311-00-00-000 Brake Kit for 21.5 X 16.1 Tires  
 312-00-00-000 Brake Kit for 18 X 22.5 Tires  
 312-00-00-000 Brake Kit for 28L X 26 Tires

Key	Part Number	Description	18X22.5 Tires	21.5X16.1 Tires	Both Sizes
1	312-05-00-000	Main Brake Line Assy			1
2	312-04-00-000	Hyd Brake Hose Assy			2
3	340-17-36-000	Hyd Hose - Relief Valve to Tractor			2
4	312-02-00-000	RH Caliper Mounting Plate Assy			1
5	312-03-00-000	LH Caliper Mounting Plate Assy			1
6	311-16-00-000	Brake Disc Assy		2	
7	310-15-00-000	Pad & Spacer Assy		2	2
8	312-02-00-027	Caliper Mounting Plate			4
9	340-08-10-333	Caliper Plate Stop			4
10	340-08-10-334	Caliper Plate Support			
11	311-16-00-024	Brake Disc		2	
12	311-16-00-025	Disc Spacer		2	
13	340-10-00-350	Disc Hold Down Plate		2	
14	310-15-00-023	Pad Spacer		2	
15	312-05-00-029	Main Hyd Brake Hose			1
16	312-04-00-028	Hyd Hose			2
17	340-36-00-540	Hyd Hose - Relief To Tractor			2
18	R20098	Cast Brake Disc	2		
19	R21065	RH Disc Brake Caliper Assy TC 500			1
20	R21066	LH Disc Brake Caliper Assy TC 501			1
21	R21070	Guide Pins			4
22	R21067	Brake Pads (Pr)	2	2	
23	R21308	45° x 7/16 SAE X 1/4 NPT Adaptor			2
24	R21201	Relief Valve			1
25	R21342	Pioneer Coupler			2
26	R07871	1/2-20 X 3 NF Socket Hd Cap Screw			12
27	R21082	Hyd Hose Clips			8
28	R07694	5/16 X 1/2 Hex Head Bolt			8
29	R07782	5/16 Hex Head Nut			8
30	R02162	3/8 Pipe Tee			1
31	R21231	Steel Ferrule - 1/4" Hose			8
32	R20806	3/8-18 NPT Swivel Male Stem			1
33	R20803	3/8-18 NPT Solid Male Stem			4
34	R20807	1/4-18 NPT Solid Male Stem			2
35	R20804	1/2-14 NPT Solid Male Stem			2

# SERIES 4 CV JOINT PTO

R20299-540 RPM  
R20301-1000 RPM



Key	Part Number	Description	Qty
1	R21464	Outer Yoke w/QD Pin-1 3/8-6T 540 RPM	1
	R21465	Outer Yoke w/QD Pin-1 3/8-21T 1000 R M	*
2	R21470	Journal & Bearing Kit	2
3	R21443	Snap Ring	12
4	R21481	Grease Fitting M10-1.0 x 45°	1
5	R21471	CV Central Body	1
6	R21480	Grease Fitting M6-1.0 Straight	5
7	R21474	Outer Tube Yoke	1
8	R21475	Spring Dowel for Outer Tube	1
9	R21478	Outer Tube	1
10	R21479	Inner Tube	1
11	R21476	Spring Dowel for Inner Tube	1
12	R21472	Inner Tube Yoke	1
13	R21451	QD Pin Kit	2
14	R21473	Shear Bolt Torque Limited - 1 3/8 6 T	1
15	R08251	Shear Bolt - M8-1.24 x 45 Long	1
16	R21482	Grease Fitting M10-1.0 Straight	1
17	R21483	Ball Bearing	17
18	R21442	Journal & Bearing Kit	1
19	R21468	Inner Bell	1
20	R21469	Outer Bell	1
21	R21466	Outer Shield Tubing	1
22	R21467	Inner Shield Tubing	1
23	R21456	Guard Retaining Collar - Outer	1
24	R21455	Guard Retaining Collar - Inner	1