

Date Purchased \_\_\_\_\_ Machine Serial No. \_\_\_\_\_  
 Size of Spreader \_\_\_\_\_ Options \_\_\_\_\_

*Office copy*  
 Jan 31/95 15 made  
 April 7/95 10 made  
 April 26/95 5 made  
 May 9/95 10 made  
 June 16/95 5 made  
 28/95 5 made  
 Aug 18 5 made  
 Oct 10 10 "  
 31 10 "  
 Dec 20/95 7 made  
 Mar 26/96 10 "  
 Apr 18/96 10 "

PLEASE NOTE:

The key number system in this parts book is arranged as follows:

- 0 -- Key number with one circle denotes main assemblies
- Key Numbers not circled are individual parts.

Please order parts by number

MODEL "E"  
 12000, 14000, 15000 LITRE  
 HUSKY LIQUID MANURE SPREADER

OPERATING INSTRUCTIONS:

1. Heed all warnings.
2. Minimum HP requirements to safely operate on level terrain, on hilly terrain HP should be increased.
 

4500L .....	70 HP
7000L .....	85 HP
9000L .....	95 HP
12000L .....	100 HP
14000L .....	125 HP
15000L .....	150 HP
18000L .....	180 HP
23000L .....	200 HP
3. If machine is equipped with hydraulic brakes that are operated from the tractor hydraulics, they will not work should the tractor motor stop.
 

Inspect brakes before each use. Brakes must be bled before initial use unless installed at factory.

When releasing brakes the tractor hydraulic lever must be put in the opposing position to release pressure. Do not put in float position they will not release.
4. Tractor PTO spline must be approximately 14" (355 mm) from end of compressed PTO for proper adjustment.
5. Hitch tanker to tractor with minimum of 1" (25mm) hardened hitch pin with a safety lock. Use 10,000 Lbs safety chain from spreader to tractor.
6. Do not use tongue jack stand to support loaded spreader. Put jack in storage position before using.
7. When hooking PTO to tractor make sure motor is stopped. Make sure QD (Quick Disconnect) safety locking pin is in locked position before using.
8. Clean off hose ends before plugging into tractor hydraulics. If spreader is equipped with hydraulic drive on spreading attachment, make sure tractor has sufficient oil flow and pressure to maintain satisfactory spread pattern, if not use another tractor.



## HUSKY FARM EQUIPMENT LIMITED

ALMA, ON N0B 1A0

PHONE: (519) 846-5329

FAX: (519) 846-9378

### 5 YEAR AXLE WARRANTY

Husky Farm Equipment Limited will guarantee for 5 years from date of invoice, ALL Manure Spreader undercarriages and axle assemblies, if used on a farm for farm purposes.

Husky will replace free of charge

1. Any part of the axle which should break or collapse through overload.
2. Any spindles or hub which should break.
3. Any wheel and rim assemblies which should fail.

Exempt from extended warranty are:

1. Bearings and tires which are covered under normal warranty and do require maintenance to avoid failure.
2. Spindles damaged through bearing failure.
3. Wheel or rim damage resulting from owner failing to keep wheel bolts tight.
4. 23000 Litre (6000 US Gal) is not covered because it is custom built.

To qualify for extended warranty, damaged parts must be returned to Husky Farm Equipment Limited, prepaid, along with Serial number and copy of the original invoice.

All parts supplied by Husky on warranty, will be shipped Freight Collect. Extended warranty covers damaged parts only and does not cause liability on Husky for any damage resulting from such failure.

### TEN YEAR WARRANTY AGAINST RUSTOUT

Husky Farm Equipment provides a 10 year warranty against premature perforation (rustout) of any liquid manure spreader manufactured later than Jan. 1987. Providing the manure spreader is used for manure or sludge and not for chemical products.

Extended warranty is pro rated and will be paid only through the crediting off of the then current list price of a replacement manure spreader that portion of the warranty not used up in time.

Warranty will be effective toward replacing spreader only and no cash payments will be made. It will be understood that the original equipment to be replaced will then become the property of Husky Farm Equipment.

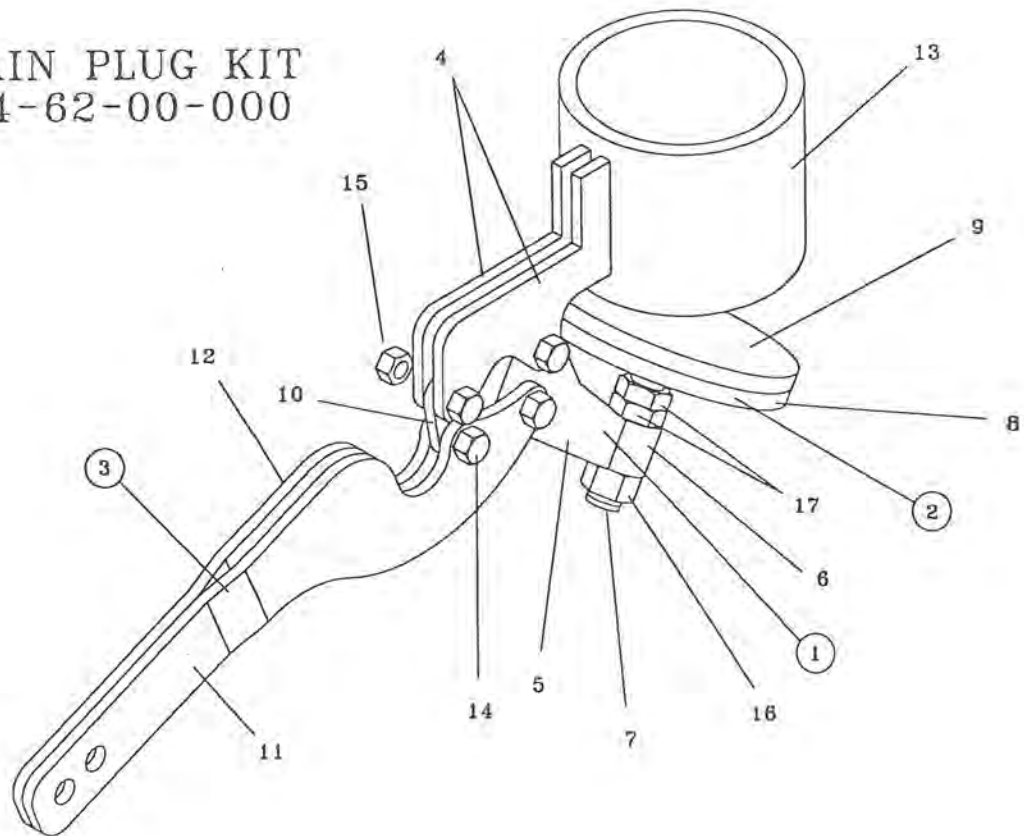
This extended warranty will be effective through Husky Farm Equipment factory or factory outlet only, copy of the original invoice to be supplied along with the serial number, This warranty will not be effective for commercial custom haulers or to owners other than the original.

Transportation to and from the factory to be paid for by the owner of the equipment and not by Husky farm Equipment.

## DRAIN PLUG KIT

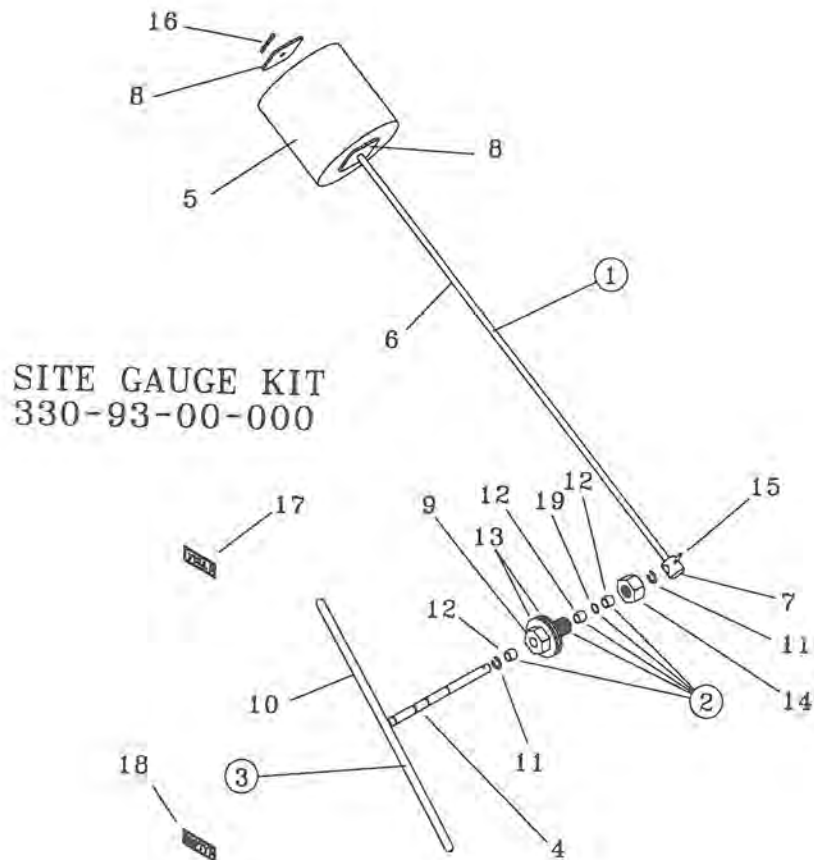
<u>KEYS</u>	<u>PARTS NUMBER</u>	<u>DESCRIPTION</u>	<u>QTY</u>
1	364-62-01-000	Drain Plug Sleeve Assy	1
2	364-62-02-000	Plug Assy	1
3	364-62-03-000	Handle Assy	1
4	364-62-00-199	Housing Brkt	2
5	364-62-01-200	Sleeve Linkage	1
6	364-62-01-201	Sleeve	1
7	364-62-02-202	Adjustment Rod	1
8	364-62-02-203	Plug Plate	1
9	364-62-02-204	Plug Rubber	1
10	364-62-00-205	Short Linkage	1
11	364-62-03-206	LH Handle	1
12	364-62-03-207	RH Handle	1
13	364-01-03-110	Drain Pipe	1
14	R08176	1/4-20 UNC x 7/8 Short Thrd Bolt	4
15	R08048	1/4-20 Lock Nut	4
16	R07885	1/2-13 UNC Hex Nyloc Nut	1
17	R08046	1/2-13 UNC Jam Nut	2

### DRAIN PLUG KIT 364-62-00-000



SIGHT GAUGE KIT

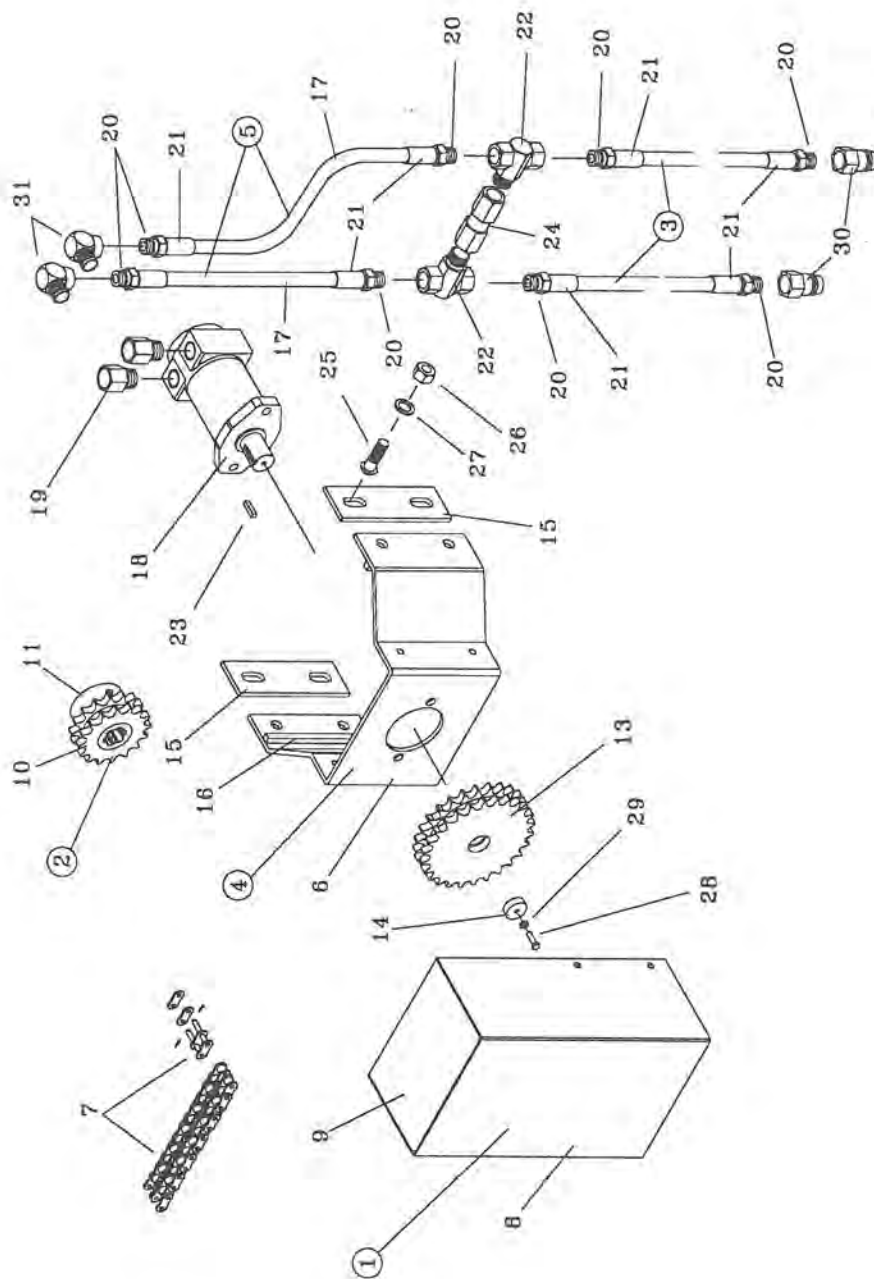
<u>KEYS</u>	<u>PARTS NUMBER</u>	<u>DESCRIPTION</u>	<u>QTY</u>
1	330-93-30-000	Float Arm Assy	1
2	330-93-31-000	Bronze Brg Holder Assy	1
3	330-93-32-000	Indicator Arm Assy.	1
4	330-93-32-374	Connector Shaft	1
<hr/>			
5	330-93-00-375	Float	1
6	330-93-00-376	Float Arm	1
7	330-93-30-377	Boss	1
8	330-93-30-378	Float Straps	2
<hr/>			
9	330-93-31-379	Bronze Bearing Holder	1
10	330-93-32-424	Indicator Arm	1
11	R07974	External Retaining Ring	2
12	R21173	1/2 x 5/8 x 1/2 Bronze Bushing	3
<hr/>			
13	R07828	1" Flat Washer	2
14	R07788	1" Hex Nut	1
15	R08241	3/16 x 1 SS. Roll Pin	1
16	R08021	1/8 x 1 SS Cotter Pin	1
<hr/>			
17	R09529	"Full" Sticker	1
18	R09530	"Empty" Sticker	1
19	R20865	1/2 x 5/8 x 1/16 O Ring	1



## 364-48-00-000 MODEL "E" HYDRAULIC DRIVE KIT

<u>KEYS</u>	<u>PARTS NUMBER</u>	<u>DESCRIPTION</u>	<u>QTY</u>
1	364-48-22-000	Guard Assembly	1
2	364-48-23-000	Fan Shaft Sprocket Assy	1
3	364-48-24-000	Hydraulic Hose Assy - To Tractor	2
4	364-48-31-000	Motor Mount Assembly	1
5	364-48-32-000	Hydraulic Hose Assy - Motor To Chk Valve	2
6	364-48-31-157	Hydraulic Motor Mount	1
7	364-48-00-158	#60 Double Roller Chain w/ Conn	1
8	364-48-22-159	Guard Body	1
9	364-48-22-160	Guard Cap	1
10	364-48-23-161	Fan Shaft Sprocket #D60B16	1
11	364-48-23-162	Spline Adaptor	1
12	364-48-24-163	3/4" Hydraulic Hose	2
13	364-48-00-166	Motor Sprocket #D60B26	1
14	364-48-00-167	Plug	1
15	364-48-00-185	Motor Mount Bracket	2
16	364-48-31-186	Guide Bar	2
17	364-48-32-187	3/4" Hydraulic Hose	2
18	R21346	110 Series Nichols - Gray Hyd Motor	1
19	R20815	7/8-14 M x 3/4 Adaptor	2
20	R21241	3/4" Male Solid Stem	8
21	R20824	3/4" Ferrule	8
22	R21393	3/4" NPT Hyd Swivel Tee	2
23	R11114	Key	1
24	R21202	3/4" NPT In Line Check Valve	1
25	R07753	5/8 x 1 1/2 Carriage Bolt	4
26	R07786	5/8 Hex Nut	4
27	R07806	5/8 Lock Washer	4
28	R07603	1/4 x 1 1/2 Hex Bolt	1
29	R07801	1/4" Lock Washer	1
30	R21338	3/4" Pioneer Tip	2
31	R21368	3/4" Hydraulic Street Elbow	2

MODEL 'E' HYDRAULIC  
DRIVE KIT  
364-48-00-000



80 DEG. BONDIOLI AND PAVESI CV PTO - R21592 540 RPM 6 Tooth  
 - R21593 1000 RPM 21 Tooth  
 - R21585 1000 RPM 20 Tooth

<u>KEYS</u>	<u>MFG #</u>	<u>PART #</u>	<u>DESCRIPTION</u>	<u>QTY</u>
1		R21712	1 3/4" - 20 T Yoke	1
	573040375	R21681	Yoke w/ Bridge 540 RPM	1
	573043775	R21680	Yoke w/ Bridge 1000 RPM	
2	606404001	R21695	Torque Lim SB 4/4	1 *
3	338009000	R21613	Circlip	8
4	348004000	R21655	Grease Nipple	3
5	511040051	R21685	Central Body	1
6	215046854	R21686	Yoke	1
7	348017000	R21687	Grease Nipple	1
8	341038000	R21475	Flexible Pin	1 *
9	225310630	R21689	Cardan Tube	1
10	245100630	R21690	Cardan Tube CM	1
11	341048000	R21476	Flexible Pin	1 *
12	204046852	R21472	Inner Tube Yoke	1 *
13	412040012	R21682	Cross Journal Assy	2
14	41204	R21693	Cross Journal Assy	1
15	338017000	R21694	Circlip	4
16	255040005	R21696	O. Bearing 3-4	1 *
17	254040024	R21697	O. Basic Cones N3-4	1
18	236680577	R21698	CM Safety Tube	1
19	236670577	R21699	CM Safety Tube	1
20	517040061	R21700	I. Cone Set N3-4	1
21	255040006	R21701	I. Bearing 3-4	1 *
22	255040351	R21702	Ring Nut Dowels	1
23	517048001	R21703	Complete Shell	1
24	5NE4078W1654	R21709	Half Safety Guard	1
25	5NI40788NN	R21710	Half Safety Guard	1
26	403000001	R21669	Complete Push Button	1 ~
27	240080061	R21670	Hub	1 ~
28	213040020	R21704	Shear Yoke	1
29	401000001	R21451	Complete Push Button	1~*
30	513070324	R21706	Hub c/w Quick Disconnect	1
31	362002000	R21705	1/4" Ball	23
32	348012000	R21672	Grease Nipple	1
33	432000047	R08251	M8 1.25 x 45 Bolt	1
34		R08252	M8 1.25 x Lock Nut	1
35	5N04078W1654	R21711	Safety Guard	1
36	403000011	R21735	Push Pin for 1 3/4 - 20 T Turnlock	

\* Same as 70 Deg. CV, PTO

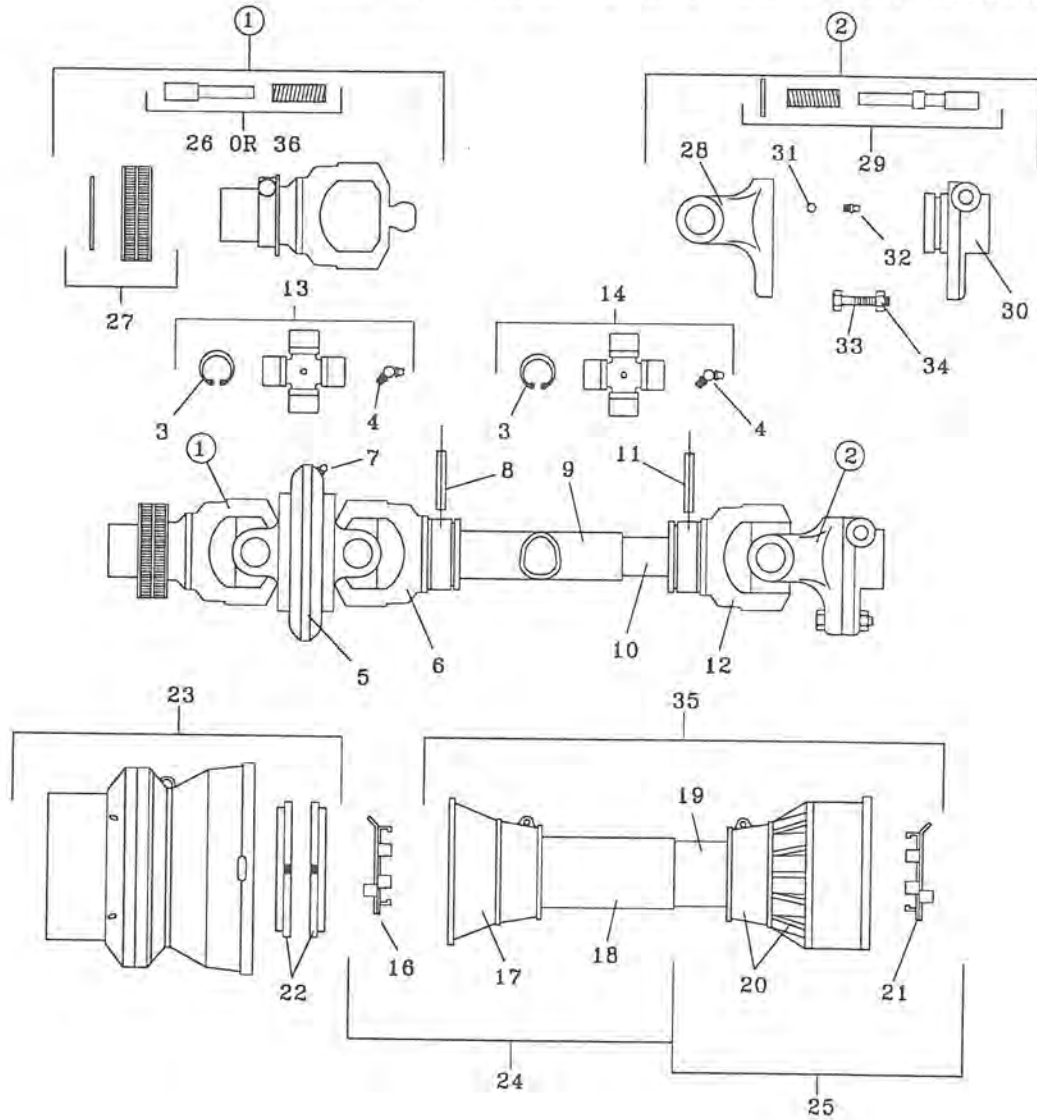
~ Same as K31



BONDIOLI AND PAVESI PTO

C/W 80° CV JOINT

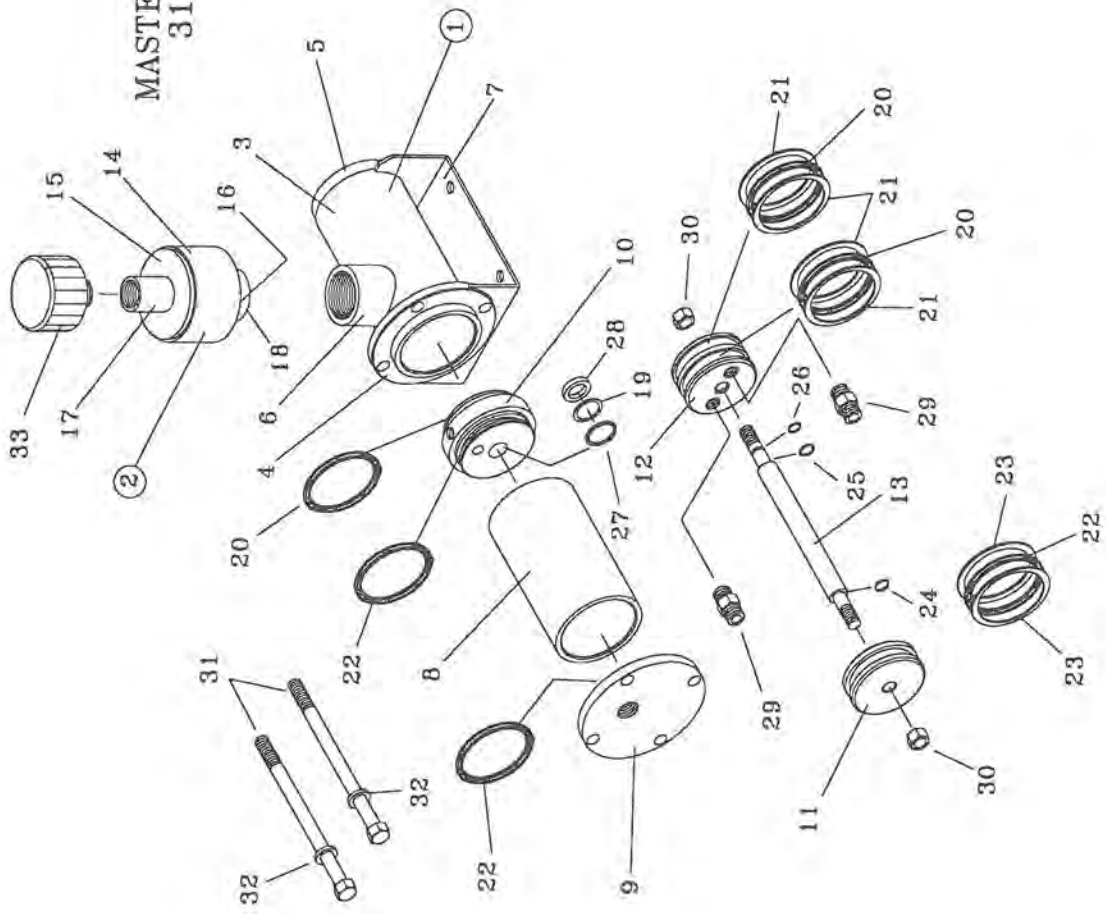
R21592-540 RPM 1 3/8" 6 TOOTH SPLINE  
 R21593-1000 RPM 1 3/8" 21 TOOTH SPLINE  
 R21585-1000 RPM 1 3/4" 20 TOOTH SPLINE



MASTER CYLINDER

<u>KEYS</u>	<u>PARTS NUMBER</u>	<u>DESCRIPTION</u>	<u>QTY</u>
1	312-06-02-000	Master Cylinder Tube Assembly	1
2	312-06-03-000	Reservoir Assy	1
3	312-06-02-000	Master Cylinder Tube	1
4	312-06-02-031	Master Cylinder Flange	1
5	312-06-02-032	Master Cylinder End Cap	1
6	312-06-02-033	Coupler	1
7	312-06-02-034	Mount Plate	1
8	312-06-00-035	Hydraulic Cylinder Tube	1
9	312-06-00-036	Hydraulic Cylinder End Cap	1
10	312-06-00-037	Cylinder Divider Block	1
11	312-06-00-038	Hydraulic Plunger	1
12	312-06-00-039	Master Cylinder Plunger	1
13	312-06-00-040	Shaft	1
14	312-06-03-041	Reservoir Tube	1
15	312-06-03-042	Reservoir Top Plate	1
16	312-06-03-043	Reservoir Bottom Plate	1
17	312-06-03-045	Reservoir Coupling	1
18	312-06-03-046	Reservoir Nipple	1
19	R20874	3/4" Back Up Teflon	1
20	R20868	EP ORing #334 ( 2 5/8 x 3 x 3/16)	3
21	R20873	Back Ups Teflon #334	4
22	R20836	O Ring #11-334 (2 5/8 x 3 x 3/16)	3
23	R20837	Back Ups #8-334	2
24	R20865	O Ring #11-014 (1/2 x 5/8 x 1/16)	1
25	R20870	EP Oring 014 (1/2 x 5/8 x 1/16)	1
26	R20869	EP Oring 012 (3/8 x 1/2 x 1/16)	1
27	R20871	EP Oring 210 (3/4 x 1 x 1/8)	1
28	R20872	3/4" Hytrel Rod Wiper 52-750	1
29	R21207	3/8 Check Valve	2
30	R07885	1/2"-13 UNC Lock Nut	2
31	R07679	1/2-13 UNC x 8 Hex Bolt	4
32	R07805	1/2 Lock Washer	4
33	R21103	Filler Breather	1
34	312-07-00-000	O Ring Repair Kit	*

MASTER CYLINDER KIT  
312-06-00-000



311-00-00-000  
312-00-00-000

BRAKE KIT FOR 21.5L X 16.1 TIRES  
BRAKE KIT FOR 18 X 22.5 AND 28L X 26 TIRES

<u>KEYS</u>	<u>PARTS NUMBER</u>	<u>DESCRIPTION</u>	<u>QTY</u>
9	R02151	3/8" Pipe Plug	1
10	340-08-10-334	Caliper Plate Support	4
11	311-16-00-024	Brake Disc	2 *
12	311-16-00-025	Disc Spacer	2 *
13	340-10-00-350	Disc Hold Down Plate	2 *
14	340-15-00-023	Pad Spacer	2 *
15	340-77-38-544	Main Hyd. Brake Hose	1
16	312-04-00-028	Hyd. Hose	2
	312-08-00-051	Hyd. Hose For Drop Axle	*
17	340-17-39-545	Hyd. Hose - Master Cyl. To Tractor	2
18	R20098	Cast Brake Disc	2 ~
19	R21065	RH Disc Brake Caliper Assy TC500	1
20	R21066	LH Disc Brake Caliper Assy TC501	1
21	R21070	Guide Pins	4
22	R21067	Brake Pads (Pair)	2
23	R21308	45 Deg. x 7/16 SAE x 1/4 NPT Adaptor	2
24	312-06-00-000	Master Cylinder Kit	1
25	312-06-05-000	Hyd. Hose Assy	1
26	312-06-05-048	Hyd. Hose	1
27	R21104	Hyd. Hose Clips	8
28	R07698	1/4 x 1/2 Hex Head Bolt	8
29	R07781	1/4 Hex Head Nut	8
30	R21400	Solid Hyd Tee	2
31	R21231	Steel Ferrule - 1/4" Hose	10
32	R20806	3/8-18 NPT Swivel Male Stem	4
33	R20803	3/8-18 NPT Solid Male Stem	6
34	R20807	1/4-18 NPT Solid Male Stem	2
35	R02043	1/2 x 3/8 Bushing	2
36	R21342	Pioneer Coupler	2
37	R07871	1/2-20 x 3 NF Socket Head Cap Screw	12
38	R21391	3/8 NPT Swivel Tee Adaptor	1
39	R21334	1/4 M x 3/8 FM x 90 Deg Swivel Adaptor	1
40	R21201	Relief Valve	1
41	R21397	3/8 Hyd. Nipple	2
42	312-06-00-047	Tongue	1
43	R07620	3/8-16 UNC x 1 1/2 Hex Bolt	4
44	R07788	3/8-16 UNC Hex Nut	4
45	R07803	3/8 Lock Washer	4

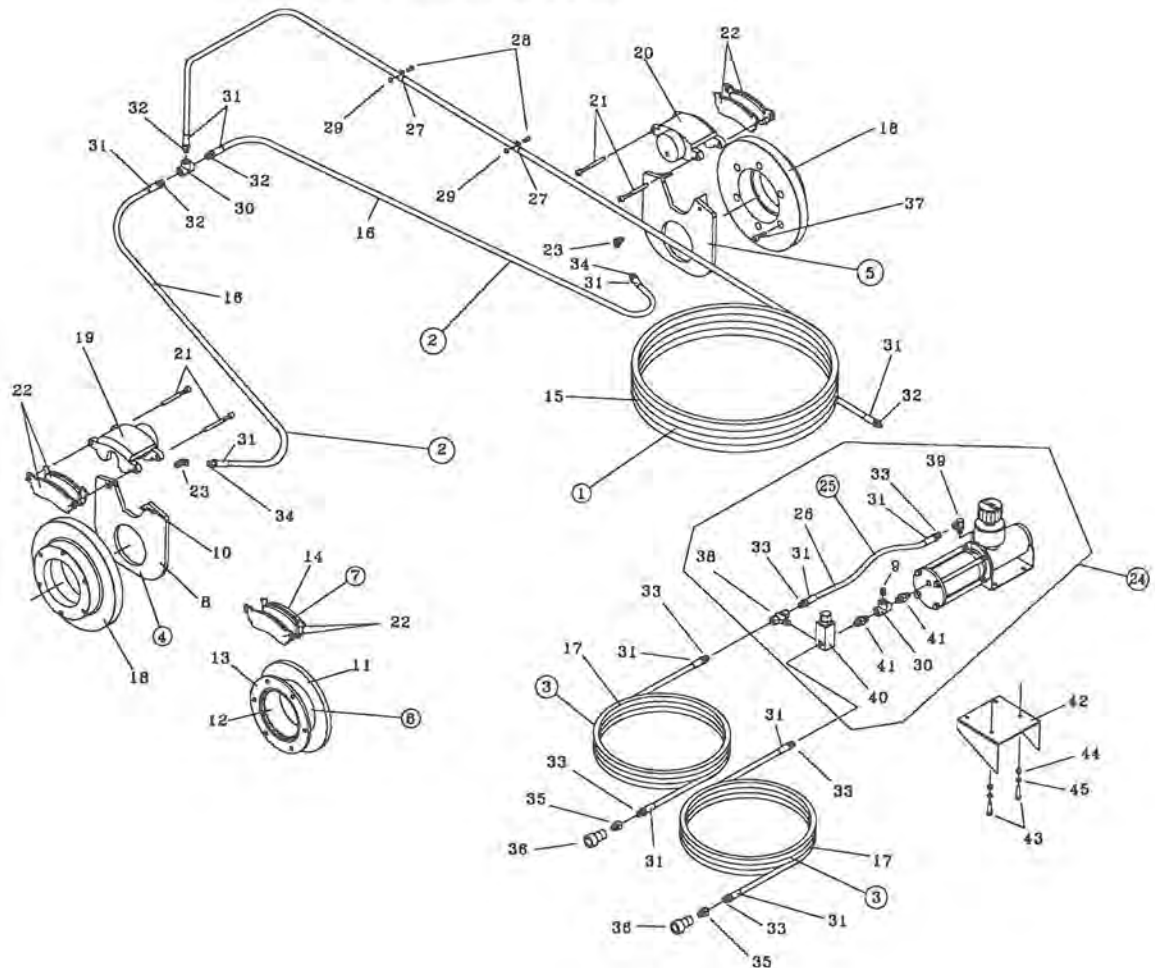
Note: \* For 21.5L x 16.1 Tires Only  
~ For 18 x 22.5 & 28L x 26 Tires Only

311-00-00-000  
312-00-00-000

BRAKE KIT FOR 21.5L X 16.1 TIRES  
BRAKE KIT FOR 18 X 22.5 AND 28L X 26 TIRES

<u>KEYS</u>	<u>PARTS NUMBER</u>	<u>DESCRIPTION</u>	<u>QTY</u>
1	340-17-38-000	Main Brake Line Assy	1
2	312-04-00-000	Hyd. Brake Hose Assy	2
	312-08-00-000	Hyd. Brake Hose Assy For Drop Axle	*
3	340-17-39-000	Hyd. Hose Master Cyl. to Tractor	2
<hr/>			
4	312-02-00-000	RH Caliper Mounting Plate Assy	1
	311-17-00-000	RH Caliper Mounting Plate Assy (21.5)	1 *
5	312-03-00-000	LH Caliper Mounting Plate Assy	1
	311-18-00-000	LH Caliper Mounting Plate Assy (21.5)	1 *
<hr/>			
6	311-16-00-000	Brake Disc Assy	2 *
7	310-15-00-000	Pad & Spacer Assy	2 *
8	312-02-00-027	Caliper Mounting Plate	2
	311-17-00-050	Caliper Mounting Plate (21.5)	2 *

DISC BRAKES FOR  
12,14 & 15000 L TANKS

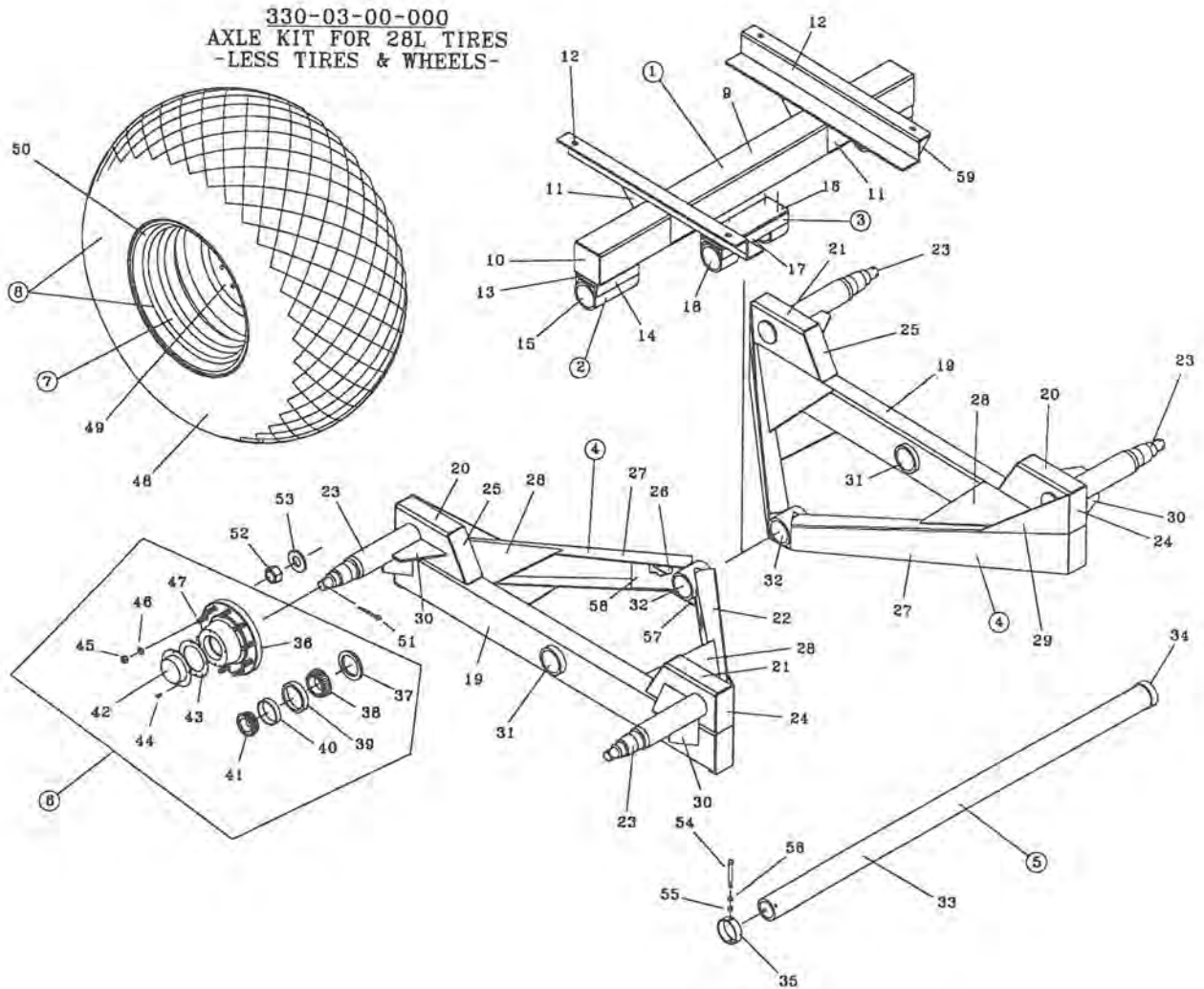


## 330-03-00-000 AXLE KIT

<u>KEYS</u>	<u>PARTS NUMBER</u>	<u>DESCRIPTION</u>	<u>QTY</u>
17	330-69-22-263	Centre Channel Spacer	1
18	330-69-22-264	Centre Sleeve	2
19	330-03-42-505	Walking Beam	2
20	330-03-42-506	RH Walking Beam Spindle Tube	2
21	330-03-42-507	LH Walking Beam Spindle Tube	2
22	330-03-42-508	Tandem Side Arm	2
23	330-03-42-509	Spindle	4
24	330-03-42-511	End Cap	4
25	330-03-42-512	Angled End Cap	4
26	330-03-42-513	Gusset	4
27	330-03-42-524	Tandem Side Arm	2
28	330-03-42-525	Gusset	8
29	330-03-42-516	Gusset	4
30	330-91-36-486	Spindle Gusset	8
31	315-33-00-127	Outer Rocker Sleeve	2
32	325-63-00-247	Inside Rocker Sleeve	2
33	330-09-00-529	Main Axle Tube	1
34	330-08-00-528	Stop Ring	1
35	315-00-00-137	Retaining Ring	1
36	340-43-00-451	16000 Lb Hub With Cups	4
37	R20083	Seal CR-38730	4
38	R20086	Inner Cone 47687	4
39	R20088	Inner Cup 47620	4
40	R20089	Outer Cone 39520	4
41	R20087	Outer Cup 39585	4
42	R20093	Dust Cap	4
43	R20084	Dust Cap Gasket	4
44	R07690	Dust Cap Bolt 5/16 x 5/8	16
45	R07820	3/4-16 UNF Fedalloy Hex Nut	40
46	R07834	3/4 Fedalloy Flat Washer	40
47	R20096	3/4-16 UNF Wheel Stud	40
48	R20015	28L x 26 Tire and Tube	4
49	R20052	Centre Disc For 28L x 26 Wheel	4
50	R20053	Rim For 28L x 26 Tire	4
51	R20095	5/16 x 4 Cotter Pin	4
52	R20092	1 3/4 -12 UNF Spindle Nut	4
53	R20091	1 13/16 Spindle Washer	4
54	R07644	1/2 x 5 Hex Bolt	1
55	R07785	1/2 Hex Nut	1
56	R07805	1/2 Lock Washer	1
57	330-03-42-547	Reinforcing Plate	2
58	330-03-42-548	Filler Plate	4
59	330-69-00-000	Gusset	4

330-03-00-000 AXLE KIT

<u>KEYS</u>	<u>PARTS NUMBER</u>	<u>DESCRIPTION</u>	<u>QTY</u>
1	330-03-41-000	Base Frame Assy.	1
2	325-62-18-000	Stationary Sleeve Assy	2
3	330-69-22-000	Centre Sleeve Assy	1
4	330-03-42-000	Walking Beam Assy	2
<hr/>			
5	330-09-00-000	Axle Tube Assy	1
6	340-43-00-000	Husky 10 Bolt Hub Complete - 16000 Lb	4
7	330-04-43-000	Wheel Assy For 28L Tire	4
8	330-04-00-000	28L x 26 Tire And Wheel Assy	4
<hr/>			
9	330-03-41-504	Cross Axle Support	1
10	325-62-00-238	Cover Plate	2
11	315-31-00-116	Double Gusset	4
12	358-85-00-253	Sill "Z" Plate	2
<hr/>			
13	325-62-18-239	Spacer Bar	2
14	325-62-18-240	Long Channel Spacer	2
15	315-35-00-130	Stationary Sleeve	2
16	330-69-22-262	Centre Bar Spacer	1



## 330-91-00-000 AXLE KIT

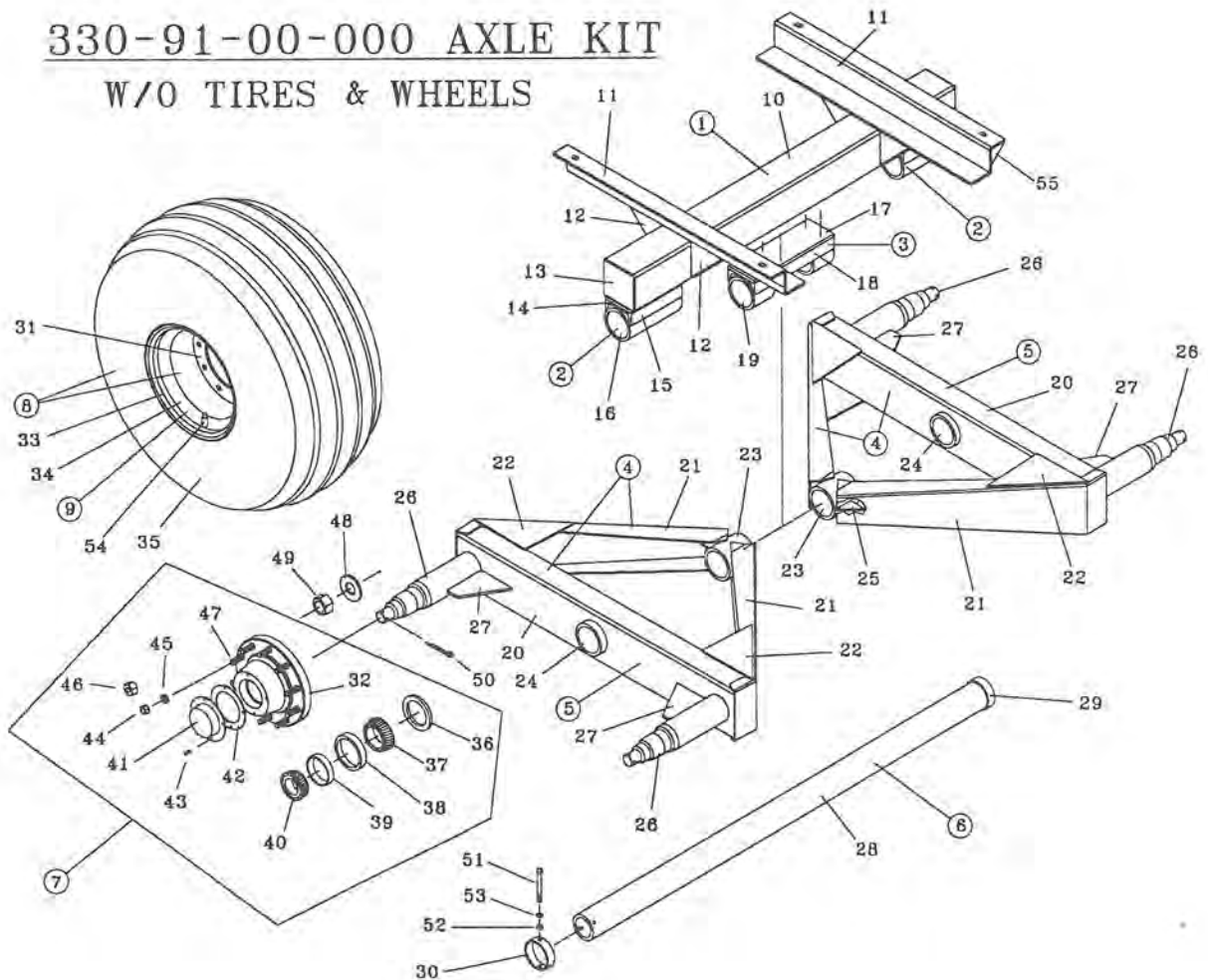
<u>KEYS</u>	<u>PARTS NUMBER</u>	<u>DESCRIPTION</u>	<u>QTY</u>
15	325-62-18-240	Long Channel Spacer	2
16	315-35-00-130	Stationary Sleeve	2
17	330-69-22-262	Centre Bar Spacer	1
18	330-69-22-263	Centre Channel Spacer	1
19	330-69-22-264	Centre Sleeve	2
20	325-63-00-245	Walking Beam	2
21	325-63-00-246	Tandem Side Arm	4
22	330-91-44-526	Gusset	8
23	325-63-00-247	Inside Rocker Sleeve	2
24	315-33-00-127	Outer Rocker Sleeve	2
25	325-63-00-244	Gusset	4
26	330-91-36-485	Welded Spindle For 10 Bolt Hub	4
27	330-91-36-486	Spindle Gusset	4
28	330-08-00-527	Main Axle Tube	1
29	330-08-00-528	Stop Ring	1
30	315-00-00-137	Retaining Ring	1
31	340-45-00-461	Centre Disc	4
32	340-43-00-451	16000 Lb Hub w/Cups	4
33	R20056	Rim For 21.5 Tire	*
34	R20059	10 Bolt Wheel 13.5 x 22.5 For T.T.	4
35	R20014	21.5 x 16.1 14 Ply Implement Tire	*
	R20005	21.5 x 16.1 10 Ply Implement Tire	*
	R20011	18 x 22.5 Used Truck Tire	4
36	R20083	Seal CR-38730	4
37	R20086	Inner Cone #47687	4
38	R20088	Inner Cup #47620	4
39	R20089	Outer Cup #39520	4
40	R20087	Outer Cone #39585	4
41	R20093	Dust Cap	4
42	R20084	Dust Cap Gasket	4
43	R07690	Dust Cap Bolt 5/16 x 5/8	16
44	R07820	3/4-16 UNF Fedalloy Hex Nut (21.5 WH)	*
45	R07834	3/4 Fedalloy Flat Washer (21.5 Wheel)	*
46	R20097	3/4 SPH-RAD Wheel Nut (18 x 22.5 Wheel)	40
47	R20096	3/4-16 UNF Wheel Stud	40
48	R20091	1 13/16 Spindle Washer	4
49	R20092	1 3/4-12 UNF Spindle Nut	4
50	R20095	5/16 x 4 Cotter Pin	4
51	R07644	1/2 x 5 Hex Bolt	1
52	R07785	1/2 Hex Nut	1
53	R07805	1/2 Lock Washer	1
54	R20020	Valve Stem For 21.5 Tire	*
55	330-69-00-550	Gusset	4



330-91-00-000 AXLE KIT

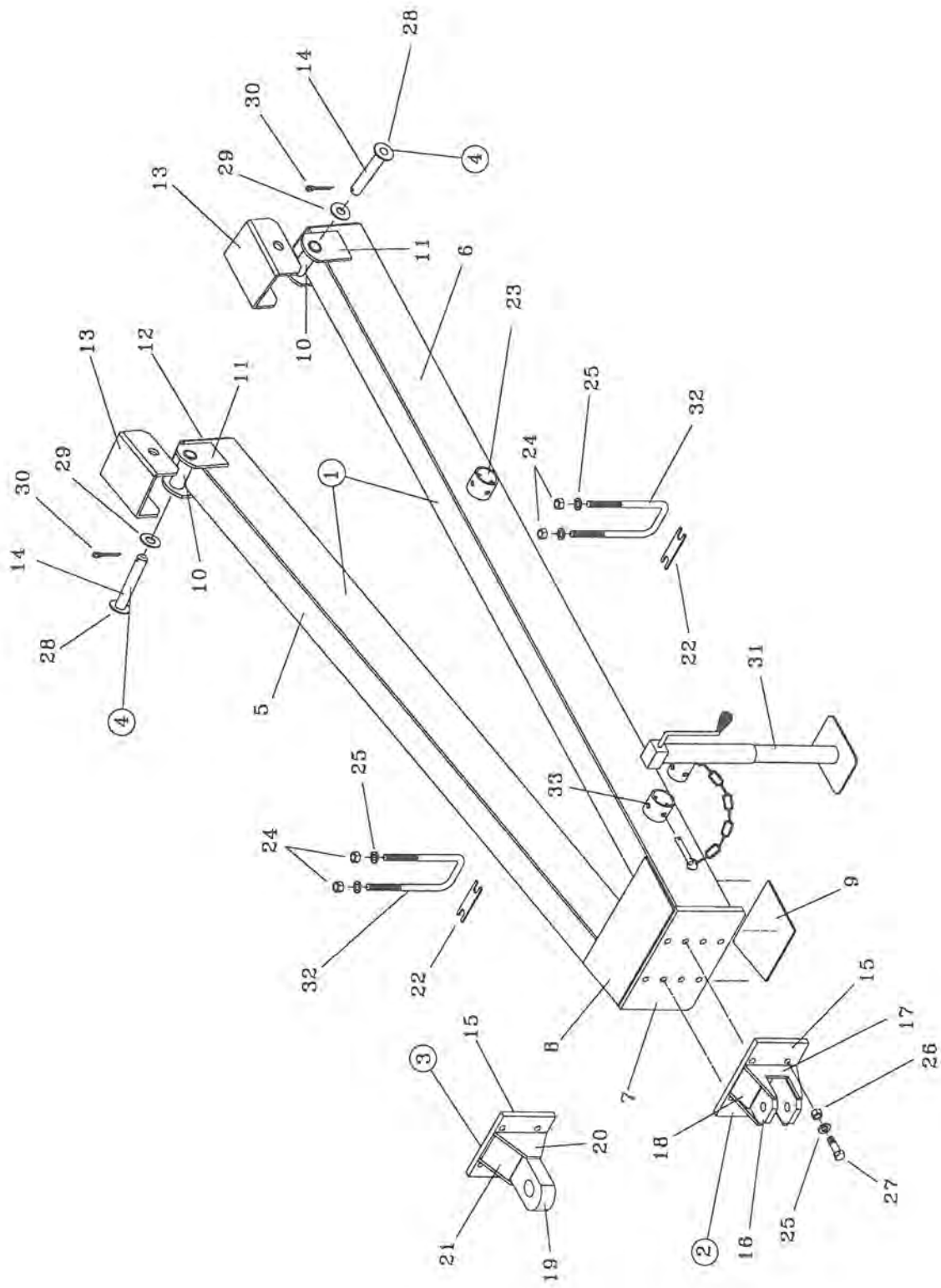
<u>KEYS</u>	<u>PARTS NUMBER</u>	<u>DESCRIPTION</u>	<u>QTY</u>
1	330-69-00-000	Base Frame Assembly	1
2	325-62-18-000	Stationary Sleeve Assembly	2
3	330-69-22-000	Centre Sleeve Assembly	1
4	330-91-44-000	Tandem Side Assembly	2
<hr/>			
5	330-91-36-000	Walking Beam Assembly	2
6	330-08-00-000	Axle Tube Assembly	1
7	340-43-00-000	Husky 10 Bolt Hub Complete 16000 Lb	4
8	340-54-00-000	21.5 x 16.1 14 Ply T&W 10 Bolt	*
<hr/>			
	326-02-00-000	21.5 x 16.1 10 Ply T&W 10 Bolt	*
	340-19-00-000	18 x 22.5 Used Truck Tire & Wheel	4
9	340-45-00-000	Wheel Assembly For 21.5 Tire	*
10	330-69-00-261	Cross Axle Support	1
<hr/>			
11	358-85-00-253	Sill "Z" Plate	2
12	315-31-00-116	Double Gusset	4
13	325-62-00-238	Cover Plate	2
14	325-62-18-239	Long Spacer Bar	2

330-91-00-000 AXLE KIT  
W/O TIRES & WHEELS



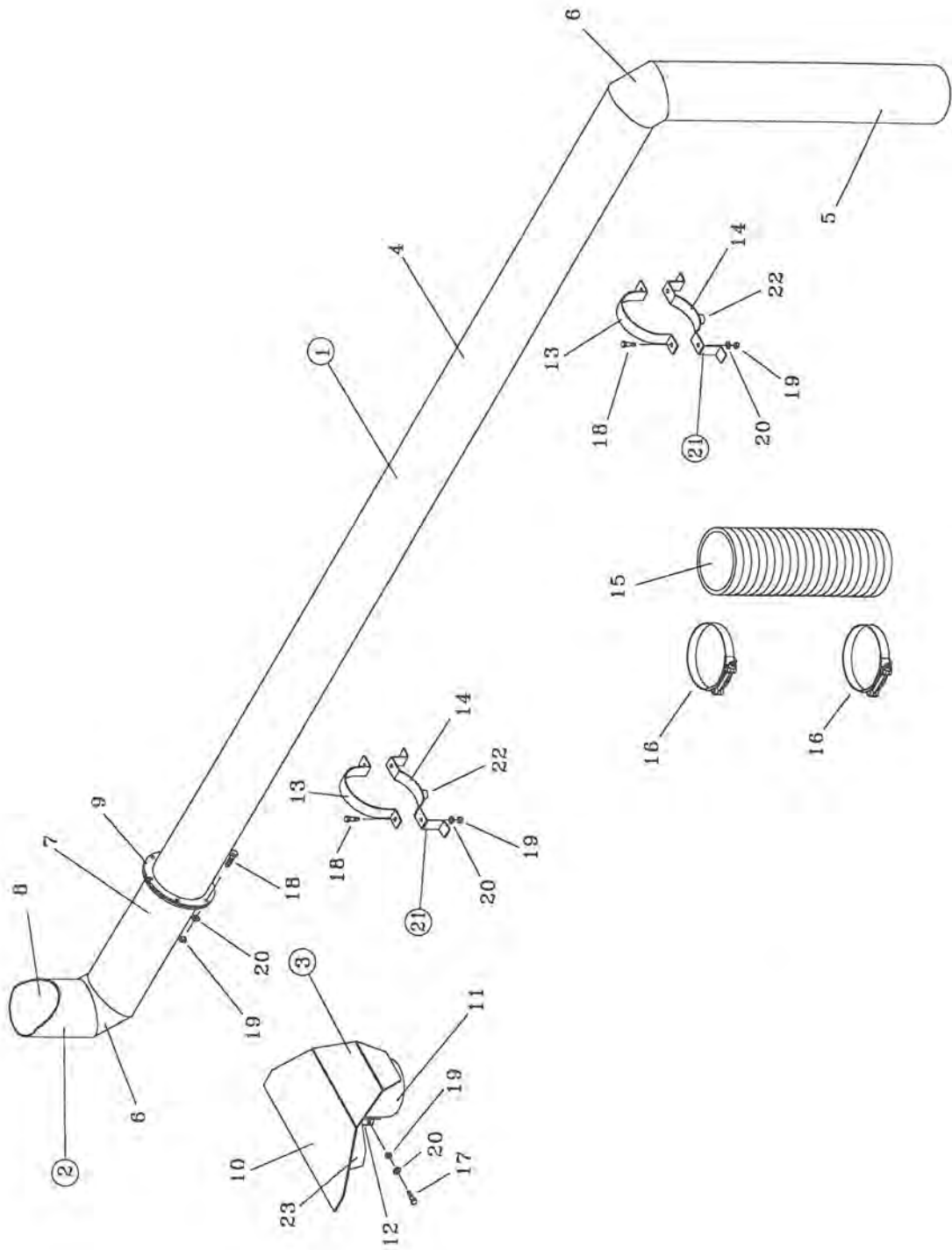
TONGUE AND HITCH

<u>KEYS</u>	<u>PARTS NUMBER</u>	<u>DESCRIPTION</u>	<u>QTY</u>
1	364-35-00-000	Tongue Assembly	1
2	364-05-00-000	Std. Hitch Assembly	1
3	364-26-00-000	Single Point Hitch Assembly	*
4	315-39-00-000	Lock Pin Assembly	2
5	364-35-00-115	RH Tongue Tube	1
6	364-35-00-116	LH Tongue Tube	1
7	364-35-00-117	Hitch Bolt Plate	1
8	364-35-00-118	Tongue Tube Upper Gasket	1
9	364-35-00-119	Tongue Tube Lower Gusset	1
10	315-36-00-145	Bushing	2
11	315-36-00-146	Side Piece	4
12	315-36-00-147	Tongue Tube End Cap	2
13	315-31-00-115	Tongue "U" Piece	2
14	315-39-00-155	Lock Pin	2
15	364-05-00-030	Hitch Back Plate	1
16	364-05-00-031	Hitch Plate	2
17	364-05-00-032	Hitch Side Gusset	2
18	364-05-00-033	Hitch Upper Gusset	2
19	364-26-00-091	Single Point Hitch	1
20	364-26-00-092	Single Point Hitch Gusset	2
21	364-26-00-093	Hitch Upper & Lower Gusset	2
22	364-00-00-131	U Bolt Spacer	2
23	364-35-00-189	Tongue Jack Storage Bracket	1
24	R07820	3/4 NF Hex Nut	4
25	R07807	3/4 Lock Washer	8
26	R07787	3/4 Hex Nut	4
27	R07655	3/4 x 2 1/2 Hex Bolt	4
28	R07828	1 Flat Washer	2
29	R07803	1 1/4 Flat Washer	2
30	R08016	1/4 x 2 Cotter Pin	2
31	R09751	7000 Lb Side Wind Jack	1
32	R08172	3/4 NF x 10 U Bolt	2
33	364-35-00-245	Tongue Jack Brkt	1



## DISCHARGE PIPE ASSEMBLY

<u>KEYS</u>	<u>PARTS NUMBER</u>	<u>DESCRIPTION</u>	<u>QTY</u>
1	364-19-00-000	Discharge Pipe Assembly - 14000L	1
	359-30-00-000	Discharge Pipe Assembly - 15000L	1
	362-59-00-000	Discharge Pipe Assembly - 9000L & 12000L	1
	362-20-00-000	Discharge Pipe Assembly - 7000L	1
2	364-25-00-000	Discharge Pipe End Section	1
3	364-21-00-000	Splash Plate Assembly	1
4	364-19-00-065	Horizontal Discharge Pipe - 9, 12, & 14000L	1
	359-30-00-108	Horizontal Discharge Pipe - 15000L	1
5	362-20-00-068	Horizontal Discharge Pipe - 7000L	1
	364-19-00-064	Vertical Discharge Pipe 14, & 15000L	1
	364-20-00-184	Vertical Discharge Pipe 7, 9 & 12000L	1
6	364-19-00-082	Discharge Pipe Corner Piece	2
7	364-25-00-088	Discharge Pipe Flange Piece	1
8	364-25-00-067	Discharge Pipe End Piece	1
9	364-19-00-087	Discharge Pipe Flange	2
10	364-21-00-069	Splash Plate	1
11	364-21-00-070	Clamping Tube	1
12	364-21-00-071	Clamping Tube Bracket	2
13	364-00-00-083	Discharge Clamp Upper Piece	2
14	364-50-00-084	Discharge Clamp Base Piece	2
15	364-00-00-066	Flex Hose	1
16	R02482	6" Clamp	2
17	R07622	3/8 x 2 1/2 Hex Bolt	2
18	R07675	3/8 x 1 1/4 Hex Bolt	10
19	R07783	3/8 Hex Nut	12
20	R07803	3/8 Lock Washer	12
21	364-50-00-000	Discharge Clamp Base Assy.	2
22	364-50-00-165	Discharge Clamp Spacer	2
23	364-21-00-224	Splash Plate Wing	2

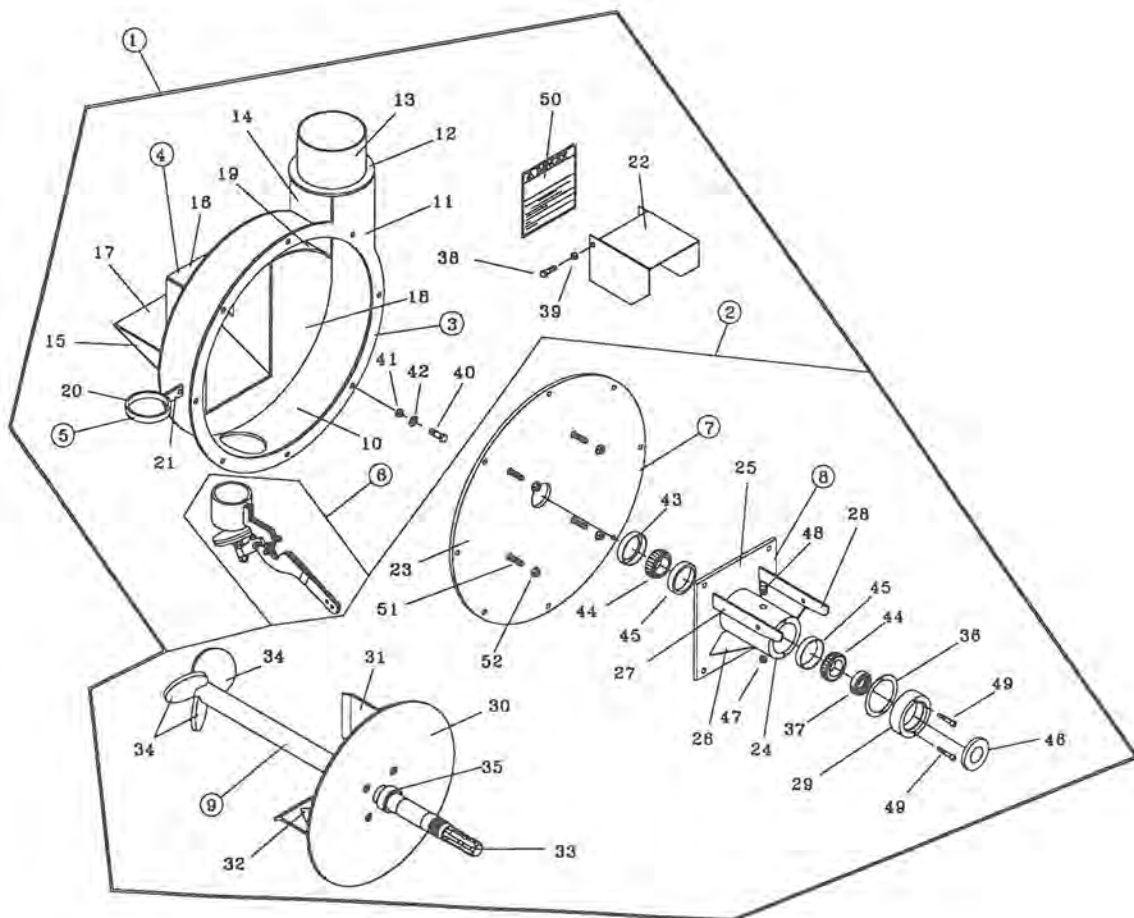


FAN & HOUSING KIT CONTINUED

<u>KEYS</u>	<u>PARTS NUMBER</u>	<u>DESCRIPTION</u>	<u>QTY</u>
20	364-41-00-132	Pto Holder	1
21	364-41-00-133	Pto Holder Brkt	1
22	364-00-00-029	Flip Guard	1
23	364-67-00-211	Cover Plate	1
24	364-61-00-191	Brg Tube	1
25	364-61-00-192	Seal Tube Back Plate	1
26	364-61-00-193	Seal Tube Gusset	2
27	364-61-00-197	RH Flip Guard Brkt	1
28	364-61-00-198	LH Flip Guard Brkt	1
29	364-00-00-196	Seal Tube Cap	1
30	364-63-00-209	Impeller Back Plate	1
31	364-63-00-208	540 RPM Fan Blade	4
	364-64-00-210	1000 RPM Fan Blade	*
32	364-03-00-024	Gusset	4
33	364-72-00-226	Fan Shaft	1
34	364-72-00-227	Agitator Blades	3
35	R20238	Hardened Sleeve	1
36	364-00-00-225	Cap Gasket	1
37	364-00-00-212	Stake Nut	1
38	R07619	3/8 x 1 Hex Bolt	2
39	R07886	3/8 Lock Nut	2
40	R07671	7/16 x 1 1/4 Hex Bolt	8
41	R07784	7/16 Hex Nut	8
42	R07804	7/16 Lock Washer	8
43	R21184	Seal	1
44	R20115	Cone	2
45	R20113	Cup	2
46	R21185	Seal	1
47	R02169	Pipe Plug	1
48	R20685	Vent Plug	1
49	R08175	5/16-18 UNC x 1 3/4 Cap Screw	2
50	R09785	"Danger" Decal	1
51	R07774	7/16 x 1 1/4 Carriage Bolt Gr. 5 Black	4
52	R07879	7/16 Flange Nut	4

FAN & HOUSING KIT

<u>KEYS</u>	<u>PARTS NUMBER</u>	<u>DESCRIPTION</u>	<u>QTY</u>
1	364-23-00-000	Model E Fan & Housing Kit 540 RPM	1
	364-56-00-000	Model E Fan & Housing Kit 1000 RPM	*
2	364-65-00-000	540 Fan, Cover Plate, & Brg Kit	1
	364-66-00-000	1000 Fan, Cover Plate, & Brg Kit	*
3	364-01-03-000	Fan Housing Assembly	1
4	364-01-15-000	Housing Back Plate Assembly	1
5	364-41-00-000	PTO Holder Assembly	1
6	364-62-00-000	Drain Plug Kit	1
7	364-67-00-000	Cover Plate Assembly	1
8	364-61-00-000	Bearing Holder Assembly	1
9	364-72-00-000	Fan, Shaft & Agitator Assy - 540	1
	364-73-00-000	Fan, Shaft & Agitator Assy -1000	*
10	364-01-03-018	Housing Band	1
11	364-01-03-019	Housing Flange	1
12	364-01-03-062	Discharge Ring	1
13	364-01-03-063	Discharge Tube	1
14	364-01-03-081	Fan Housing Vertical Pc	1
15	364-01-03-103	Outlet Side Pc	2
16	364-01-03-104	Outlet Top Pc	1
17	364-01-03-105	Outlet Bottom Pc	1
18	364-01-03-106	Housing Back Plate	1
19	364-01-03-156	Housing Band Aid	1



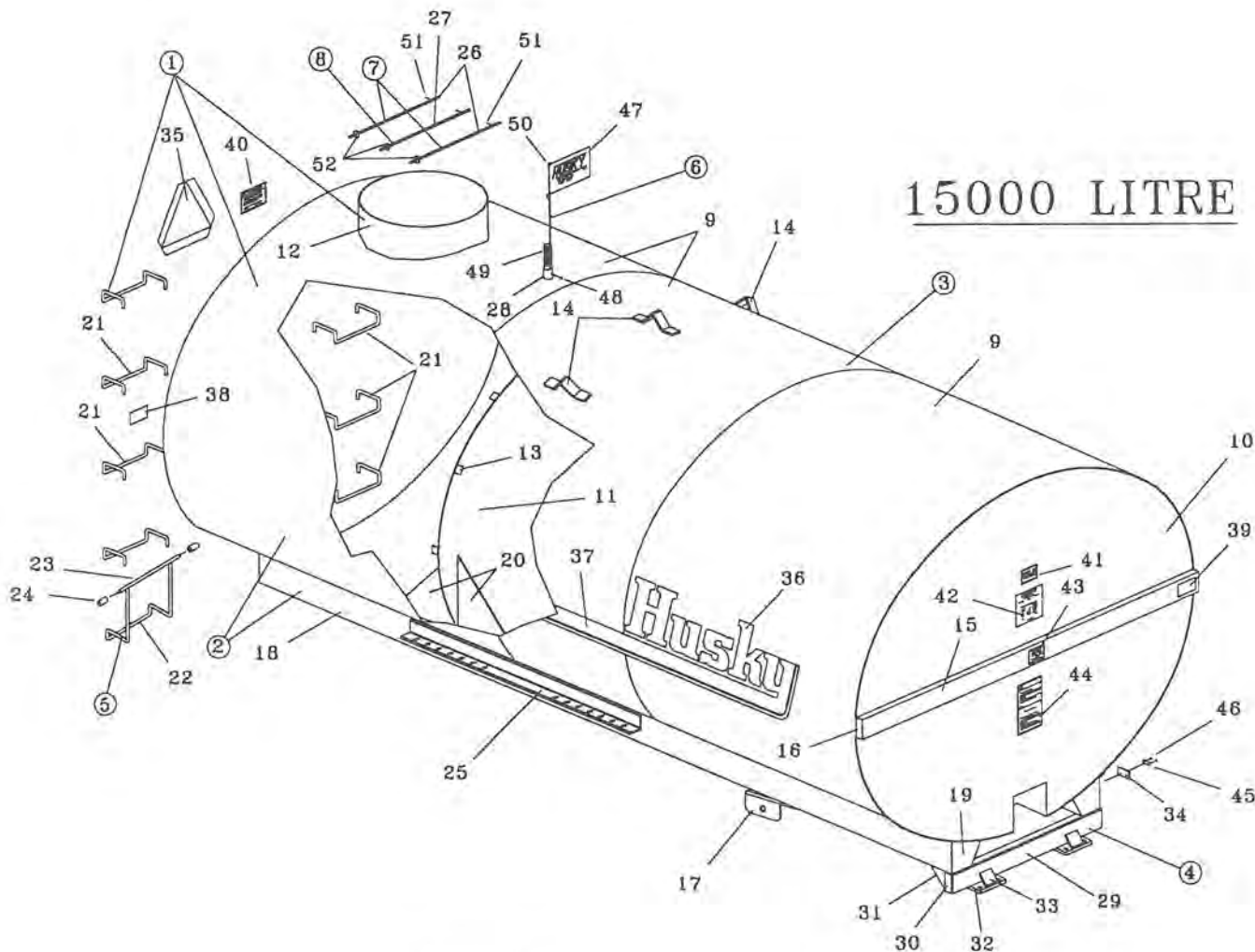
15000L TANK & SILL ASSEMBLY CONTINUED

<u>KEYS</u>	<u>PARTS NUMBER</u>	<u>DESCRIPTION</u>	<u>QTY</u>
21	364-02-00-008	Ladder Rung	7
22	364-02-19-151	Ladder Bottom Rung	1
23	364-02-19-152	Ladder Top Picce	1
24	364-02-00-153	Ladder Bracket	2
25	364-02-00-280	Axle Adjustment Angle	2
26	364-47-00-155	Manhole Safety Bar	2
27	364-49-00-164	Long Safety Bar	1
28	340-00-00-536	Flag Spring Holder	1
29	364-02-17-120	Cross Member	1
30	364-02-17-121	End Cap	2
31	364-02-17-128	Cross Member Gusset	2
32	364-02-17-122	Tongue Strap	2
33	364-02-17-123	Tongue Strap Gusset	2
34	340-01-00-498	Serial Number Plate	1
35	R09501	Slow Moving Vehicle Sign	1
36	R09510	Husky Decal	2
37	R09511	Accent Strip	2
38	R10096	Red Reflector	2
39	R10097	Amber Reflector	1
40	R09784	"Danger-Toxic Gas" Decal	1
41	R09509	Made in Canada Sticker	1
42	R09730	Tire Pressure Sticker	1
43	R09512	Capacity Sticker	1
44	R09783	"Caution" Decal	1
45	R09071	Serial Number	1
46	R08162	Type "U" Drive Screw #4 x 1/4	2
47	R09735	Husky Flag	1
48	R07926	5/16-18 x 1/4 SS Set Screw	1
49	R08037	Flag Spring	1
50	R21371	Plastic Tip	1
51	R08020	3/16 x 1 1/4 SS Cotter Pin	3
52	R07825	1/2" Flat Washer	3



15000L TANK & SILL ASSEMBLY

<u>KEYS</u>	<u>PARTS NUMBER</u>	<u>DESCRIPTION</u>	<u>QTY</u>
1	359-29-00-000	Tank, Sill, Funnel, Ladder Complete	1
2	335-01-03-000	15000L Tank & Sill Assy.	1
3	335-01-01-000	15000L Tank Assy	1
4	364-02-17-000	Cross Member Assy	1
5	364-02-19-000	Ladder Bottom Rung Assy.	1
6	340-62-00-000	Husky Flag Kit	1
7	364-47-00-000	Manhole Safety Bar Assembly	2
8	364-49-00-000	Long Manhole Safety Bar Assy.	1
9	335-01-01-002	15000L Tank Shell	3
10	330-66-21-254	15000L Tank End	2
11	330-66-21-256	15000L Baffle	1
12	364-02-00-006	Manhole	1
13	300-01-00-016	Baffle Bracket	16
14	300-01-00-012	Lift Hook	3
15	330-66-00-257	Tank Stiffener	2
16	330-66-00-258	Stiffener Caps	4
17	315-31-00-115	Tongue U Piece	2
18	335-01-00-001	15000L Sill	2
19	330-67-00-260	Sill Cap	4
20	340-01-01-459	Baffle Gusset	4

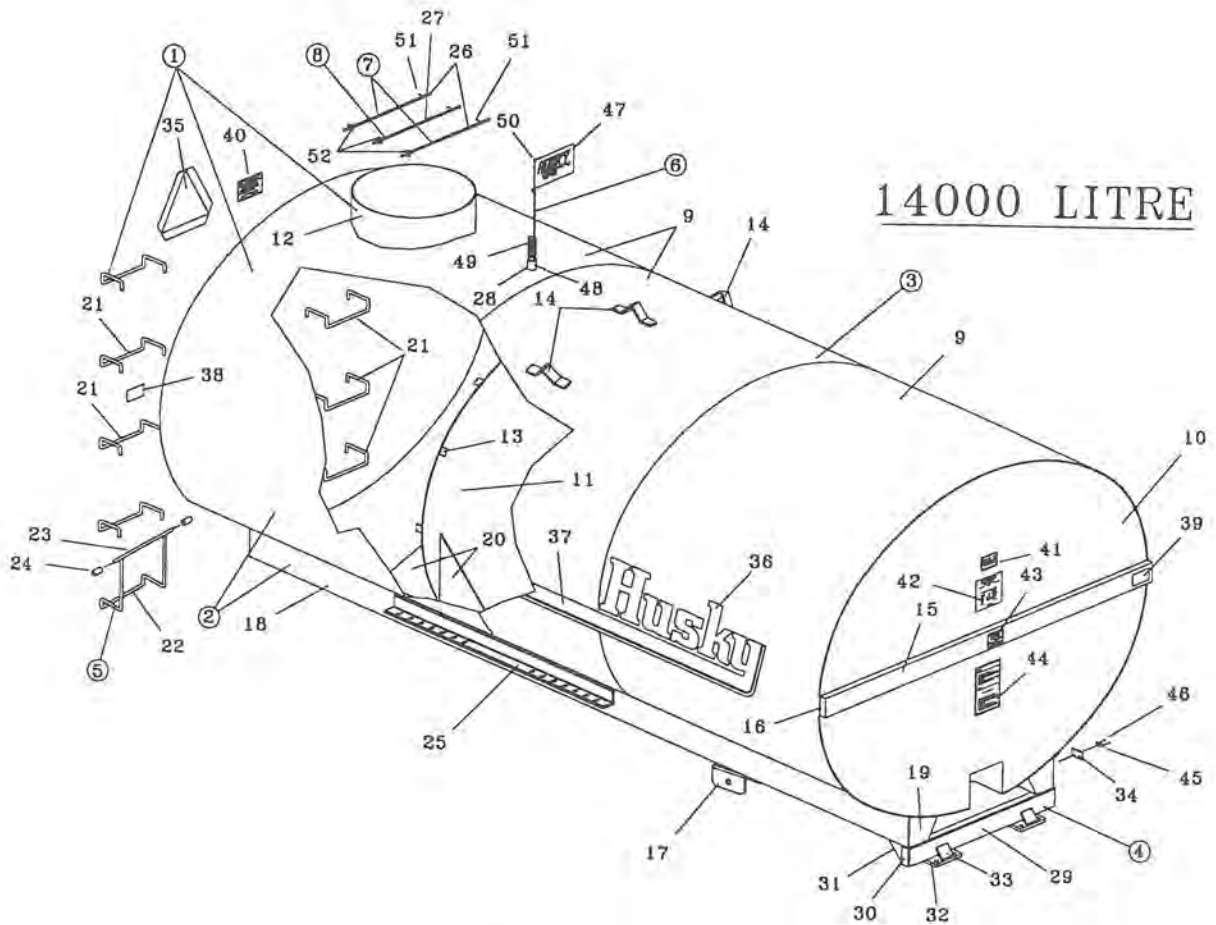


14000L TANK & SILL ASSEMBLY CONTINUED

<u>KEYS</u>	<u>PARTS NUMBER</u>	<u>DESCRIPTION</u>	<u>QTY</u>
21	364-02-00-008	Ladder Rung	7
22	364-02-19-151	Ladder Bottom Rung	1
23	364-02-19-152	Ladder Top Piece	1
24	364-02-00-153	Ladder Bracket	2
25	364-02-00-280	Axle Adjustment Angle	2
26	364-47-00-155	Manhole Safety Bar	2
27	364-49-00-164	Long Safety Bar	1
28	340-00-00-536	Flag Spring Holder	1
29	364-02-17-120	Cross Member	1
30	364-02-17-121	End Cap	2
31	364-02-17-128	Cross Member Gusset	2
32	364-02-17-122	Tongue Strap	2
33	364-02-17-123	Tongue Strap Gusset	2
34	340-01-00-498	Serial Number Plate	1
35	R09501	Slow Moving Vehicle Sign	1
36	R09510	Husky Decal	2
37	R09511	Accent Strip	2
38	R10096	Red Reflector	2
39	R10097	Amber Reflector	1
40	R09784	"Danger - Toxic Gas" Decal	1
41	R09509	Made in Canada Sticker	1
42	R09730	Tire Pressure Sticker	1
43	R09512	Capacity Sticker	1
44	R09783	"Caution" Decal	1
45	R09071	Serial Number	1
46	R08162	Type "U" Drive Screw #4 x 1/4	2
47	R09735	Husky Flag	1
48	R07926	5/16-18 x 1/4 SS Set Screw	1
49	R08037	Flag Spring	1
50	R21371	Plastic Tip	1
51	R08020	3/16 x 1 1/4 SS Cotter Pin	3
52	R07825	1/2" Flat Washer	3

14000L TANK & SILL ASSEMBLY

<u>KEYS</u>	<u>PARTS NUMBER</u>	<u>DESCRIPTION</u>	<u>QTY</u>
1	364-02-00-000	Tank, Sill, Funnel, Ladder, Compl.	1
2	330-66-00-000	14000L Tank & Sill Assy.	1
3	330-66-21-000	14000L Tank Assy.	1
4	364-02-17-000	Cross Member Assy	1
5	364-02-19-000	Ladder Bottom Rung Assembly	1
6	340-62-00-000	Husky Flag Kit	1
7	364-47-00-000	Manhole Safety Bar Assy.	2
8	364-49-00-000	Long Manhole Safety Bar Assy.	1
9	330-66-21-255	14000L Tank Shell	3
10	330-66-21-254	14000L Tank End	2
11	330-66-21-256	14000L Baffle	1
12	364-02-00-006	Manhole	1
13	300-01-00-016	Baffle Bracket	16
14	300-01-00-012	Lift Hook	3
15	330-66-00-257	Tank Stiffener	2
16	330-66-00-258	Stiffener Caps	4
17	315-31-00-115	Tongue U Piece	2
18	330-67-00-259	14000L Sill	2
19	330-67-00-260	Sill Cap	4
20	340-01-01-459	Baffle Gusset	4

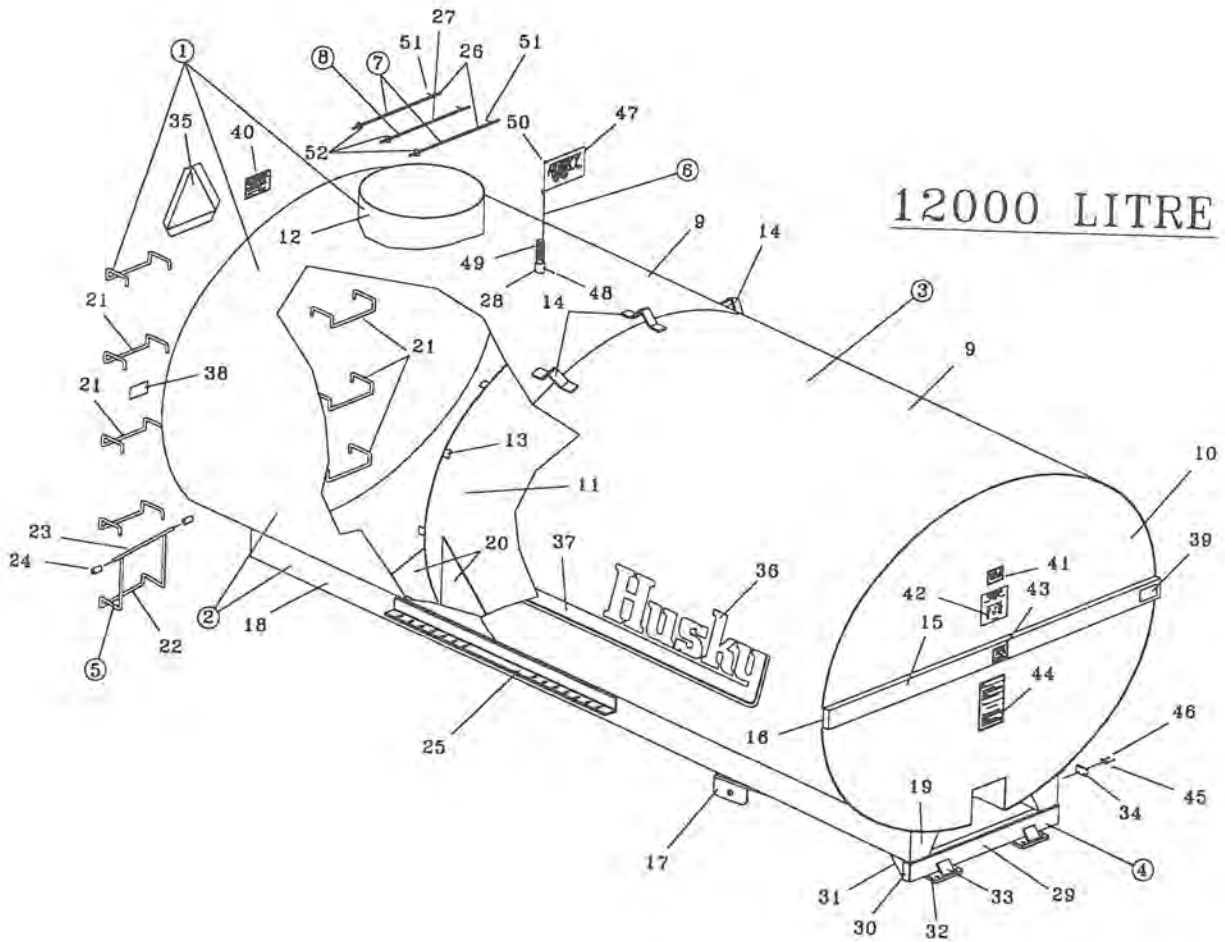


12000L TANK & SILL ASSEMBLY CONTINUED

<u>KEYS</u>	<u>PARTS NUMBER</u>	<u>DESCRIPTION</u>	<u>QTY</u>
21	364-02-00-008	Ladder Rung	7
22	364-02-19-151	Ladder Bottom Rung	1
23	364-02-19-152	Ladder Top Piece	1
24	364-02-00-153	Ladder Bracket	2
25	364-02-00-280	Axle Adjustment Angle	2
26	364-47-00-155	Manhole Safety Bar	2
27	364-49-00-164	Long Safety Bar	1
28	340-00-00-536	Flag Spring Holder	1
29	364-02-17-120	Cross Member	1
30	364-02-17-121	End Cap	2
31	364-02-17-128	Cross Member Gusset	2
32	364-02-17-122	Tongue Strap	2
33	364-02-17-123	Tongue Strap Gusset	2
34	340-01-00-498	Serial Number Plate	2
35	R09501	Slow Moving - Vehicle Sign	1
36	R09510	Husky Decal	2
37	R09511	Accent Strip	2
38	R10096	Red Reflector	2
39	R10097	Amber Reflector	1
40	R09784	"Danger - Toxic Gas" Decal	1
41	R09509	Made in Canada Sticker	1
42	R09730	Tire Pressure Sticker	1
43	R09512	Capacity Sticker	1
44	R09783	"Caution" Decal	1
45	R09071	Serial Number	1
46	R08162	Type "U" Drive Screw 4 x 14	2
47	R09735	Husky Flag	1
48	R07926	5/16-18 x 1/4 SS Set Screw	1
49	R08037	Flag Spring	1
50	R21371	Plastic Tip	1
51	R08020	3/16 x 1 1/4 S.S. Cotter Pin	3
52	R07825	1/2" Flat Washer	3

12000L TANK & SILL ASSEMBLY

<u>KEYS</u>	<u>PARTS NUMBER</u>	<u>DESCRIPTION</u>	<u>QTY</u>
1	363-09-00-000	12000l Tank, Sill, Funnel, & Ladder Assembly	1
2	326-88-00-000	12000l Tank & Sill Assembly	1
3	326-88-25-000	12000l Tank Assembly	1
4	364-02-17-000	Cross Member Assembly	1
<hr/>			
5	364-02-19-000	Ladder Bottom Rung Assembly	1
6	340-62-00-000	Husky Flag Kit	1
7	364-47-00-000	Manhole Safety Bar Assy	2
8	364-49-00-000	Long Manhole Safety Bar Assy.	1
<hr/>			
9	326-88-25-278	12000L Tank Shell	2
10	326-88-25-277	12000L Tank End	2
11	326-88-25-279	12000L Baffle	1
12	364-02-00-006	Manhole	1
<hr/>			
13	300-01-00-016	Baffle Bracket	16
14	300-01-00-012	Lift Hook	3
15	326-88-00-280	Tank Stiffener	2
16	330-66-00-258	Stiffener Caps	4
<hr/>			
17	315-31-00-115	Tongue U Piece	2
18	326-89-00-283	12000L Sill	2
19	326-89-00-284	Sill Cap	4
20	340-01-01-459	Baffle Gusset	4



## OPERATING INSTRUCTIONS continued:

9. After using spreader in freezing conditions make sure impeller housing is drained.
10. Wash tank inside and out each time work is finished. This will increase life of tank by many years. See item 6 of Safety instructions.
11. Do not drive on public roads after dusk unless equipped with lights required by Department of Transportation in your area.
12. Remove wheels annually and grease wheel bearings.
13. Because manure smells, many farmers have made unfriendly neighbours. If in a residential area a manure injector is a recommended option to bury the smell.
14. Much of the fertilizer value of manure is lost when exposed to air. Getting the manure covered quickly is a very important part of spreading manure.
15. If rustproof coating on interior shows signs of deterioration, have interior repainted. This can be done with a roller or brush. This helps to increase the life of your spreader. It is a valuable maintenance procedure.

## SAFETY INSTRUCTIONS:

Do not operate this machine until you fully understand the safe operating practices.

1. Make sure all moving parts are shielded to prevent coming in contact with loose clothing.
2. Keep children clear, do not let children or anyone ride on the spreader at anytime.
3. Do not support loaded spreader on tongue jack.
4. Keep tire pressure to recommended pressure at all times. Recommended tire pressure being:

		Lbs	KPA
40 x 14	Airplane Tires	55	379
44 x 16	Airplane Tires	55	379
47 x 18 x 18	Airplane Tires	55	379
50 x 20 x 20	Airplane Tires	55	379
16.5L x 16.1	Implement Tires	35	241
21.5L x 16.1	Implement Tires	35	241
18.4L x 26	Turf Tires	26	180
28L x 26	Turf Tires	24	166
23.5L x 25	Loader Dozer Tires	55	379
18L x 22.5	Truck Tires	65	448

$$1 \text{ Lb} = 6.8947 \text{ KPA}$$

5. Keep wheel bolts torqued to recommended torque at all times.

Wheel Bolt Size	Torque <u>Dry</u>	Ft./Lbs. <u>Oiled</u>	Torque <u>Dry</u>	Meter/Kg <u>Oiled</u>
9/16 - 18 NF	190	145	26.28	20.06
5/8 - 18 NF	270	205	37.34	28.35
3/4 - 16 NF	470	360	65.01	49.79

(Check Daily)

6. Never enter a tanker without special breathing equipment to supply oxygen. Manure gases can kill instantly. One breath of Hydrogen Sulphide can kill.
7. When looking up or repairing hydraulic hoses always wear safety glasses and relieve pressure to avoid getting oil in eyes.
8. Caution - disc brakes will not release unless valve lever is held momentarily in opposite position. This will relieve pressure in brake line. Do not put in float position, they will not release.