

Office Copy

Oct 29, 1999 - 19 made
Jan 13/00 - 10 "
Mar 25 - 3 "
Apr 20 - 6 "
July 10 - 20 "
July 12 - 5 "
Aug 28/00 - 7 "
Oct 30/00 - 20 "
Mar 2/01 - 11 made
May 25/01 - 6 "
Nov 2/01 - 10 "
a

Date Purchased _____ Machine Serial No. _____

Size of Spreader _____ Options _____

PLEASE NOTE:

The key number system in this parts book is arranged as follows:

- 0 -- Key number with one circle denotes main assemblies
- Key Numbers not circled are individual parts.

Please order parts by number

MODEL "E"
14000, 15000 LITRE
HUSKY LIQUID MANURE SPREADER

OPERATING INSTRUCTIONS:

1. Heed all warnings.
2. Minimum HP requirements to safely operate on level terrain, on hilly terrain HP should be increased.

4500L	70 HP
7000L	85 HP
9000L	95 HP
12000L	100 HP
14000L	125 HP
15000L	150 HP
18000L	180 HP
23000L	200 HP
3. If machine is equipped with hydraulic brakes that are operated from the tractor hydraulics, they will not work should the tractor motor stop.
Inspect brakes before each use. Brakes must be bled before initial use unless installed at factory.
When releasing brakes the tractor hydraulic lever must be put in the opposing position to release pressure. Do not put in float position they will not release.
4. Tractor PTO spline must be approximately 14" (355 mm) from end of compressed PTO for proper adjustment.
5. Hitch tanker to tractor with minimum of 1" (25mm) hardened hitch pin with a safety lock. Use 10,000 Lbs safety chain from spreader to tractor.
6. Do not use tongue jack stand to support loaded spreader. Put jack in storage position before using.
7. When hooking PTO to tractor make sure motor is stopped. Make sure QD (Quick Disconnect) safety locking pin is in locked position before using.
8. Clean off hose ends before plugging into tractor hydraulics. If spreader is equipped with hydraulic drive on spreading attachment, make sure tractor has sufficient oil flow and pressure to maintain satisfactory spread pattern, if not use another tractor.

OPERATING INSTRUCTIONS continued:

9. After using spreader in freezing conditions make sure impeller housing is drained.
10. Wash tank inside and out each time work is finished. This will increase life of tank by many years. See item 6 of Safety instructions.
11. Do not drive on public roads after dusk unless equipped with lights required by Department of Transportation in your area.
12. Remove wheels annually and grease wheel bearings.
13. Because manure smells, many farmers have made unfriendly neighbours. If in a residential area a manure injector is a recommended option to bury the smell.
14. Much of the fertilizer value of manure is lost when exposed to air. Getting the manure covered quickly is a very important part of spreading manure.
15. If rustproof coating on interior shows signs of deterioration, have interior repainted. This can be done with a roller or brush. This helps to increase the life of your spreader. It is a valuable maintenance procedure.

SAFETY INSTRUCTIONS:

Do not operate this machine until you fully understand the safe operating practices.

1. Make sure all moving parts are shielded to prevent coming in contact with loose clothing.
2. Keep children clear, do not let children or anyone ride on the spreader at anytime.
3. Do not support loaded spreader on tongue jack.
4. Keep tire pressure to recommended pressure at all times. Recommended tire pressure being:

		Lbs	KPA
40 x 14	Airplane Tires	55	379
44 x 16	Airplane Tires	55	379
47 x 18 x 18	Airplane Tires	55	379
50 x 20 x 20	Airplane Tires	55	379
16.5L x 16.1	Implement Tires	35	241
21.5L x 16.1	Implement Tires	35	241
18.4L x 26	Turf Tires	26	180
28L x 26	Turf Tires	24	166
23.5L x 25	Loader Dozer Tires	55	379
18L x 22.5	Truck Tires	65	448

1 Lb = 6.8947 KPA

5. Keep wheel bolts torqued to recommended torque at all times.

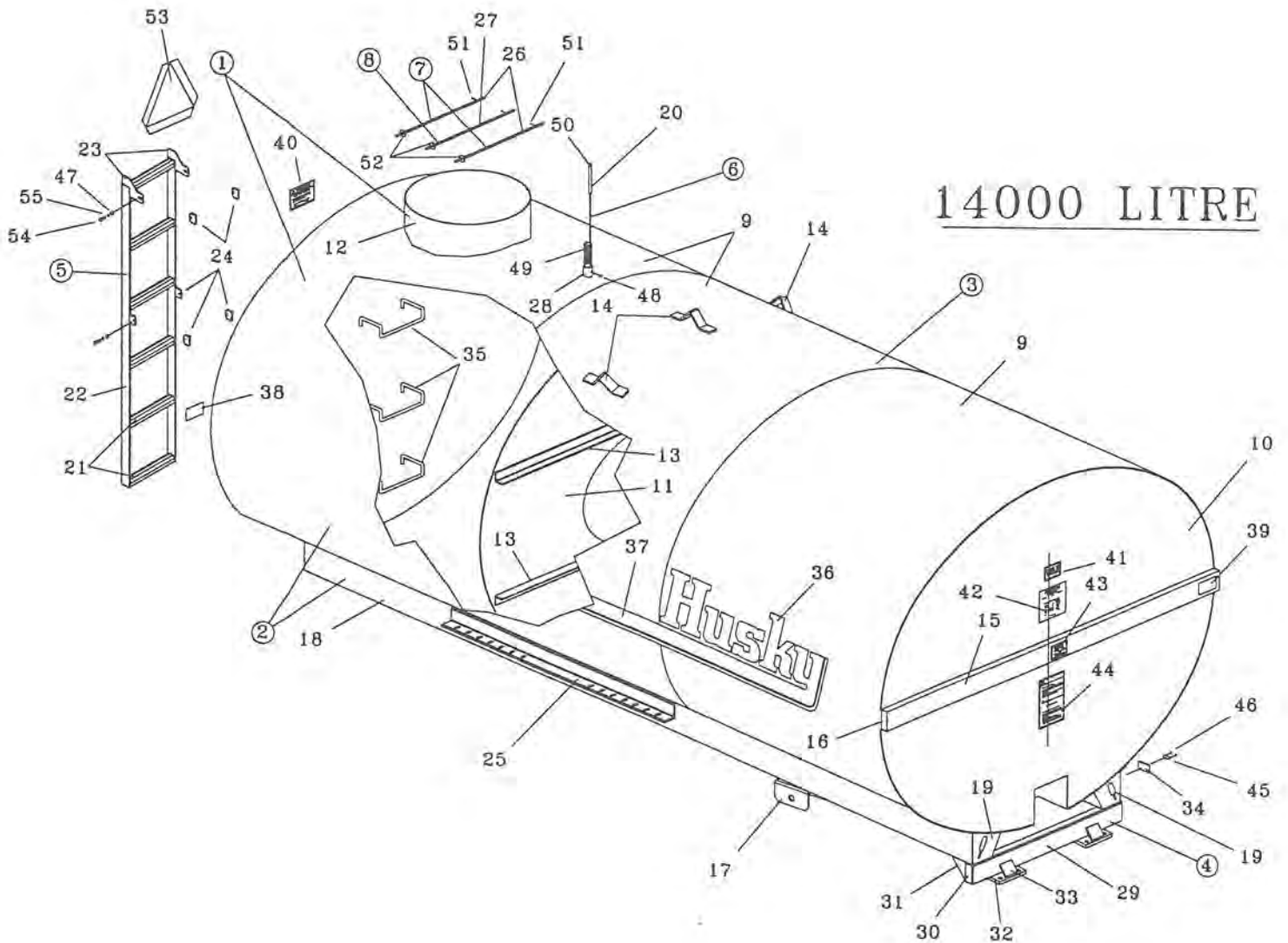
Wheel Bolt Size	Torque <u>Dry</u>	Ft./Lbs. <u>Oiled</u>	Torque <u>Dry</u>	Meter/Kg <u>Oiled</u>
9/16 - 18 NF	190	145	26.28	20.06
5/8 - 18 NF	270	205	37.34	28.35
3/4 - 16 NF	470	360	65.01	49.79

(Check Daily)

6. Never enter a tanker without special breathing equipment to supply oxygen. Manure gases can kill instantly. One breath of Hydrogen Sulphide can kill.
7. When looking up or repairing hydraulic hoses always wear safety glasses and relieve pressure to avoid getting oil in eyes.
8. Caution - disc brakes will not release unless valve lever is held momentarily in opposite position. This will relieve pressure in brake line. Do not put in float position, they will not release.

14000L TANK & SILL ASSEMBLY

<u>Keys</u>	<u>Parts Number</u>	<u>Description</u>	<u>Qty</u>
1	364-02-00-000	Tank. Sill. Funnel. Complete	1
2	330-66-00-000	14000L Tank & Sill Assy.	1
3	330-66-21-000	14000L Tank Assy.	1
4	364-42-00-000	Cross Member Assy	1
5	364-95-00-000	Ladder Assembly	1
6	340-62-00-000	Husky Flag Kit	1
7	364-47-00-000	Manhole Safety Bar Assy.	2
8	364-49-00-000	Long Manhole Safety Bar Assy.	1

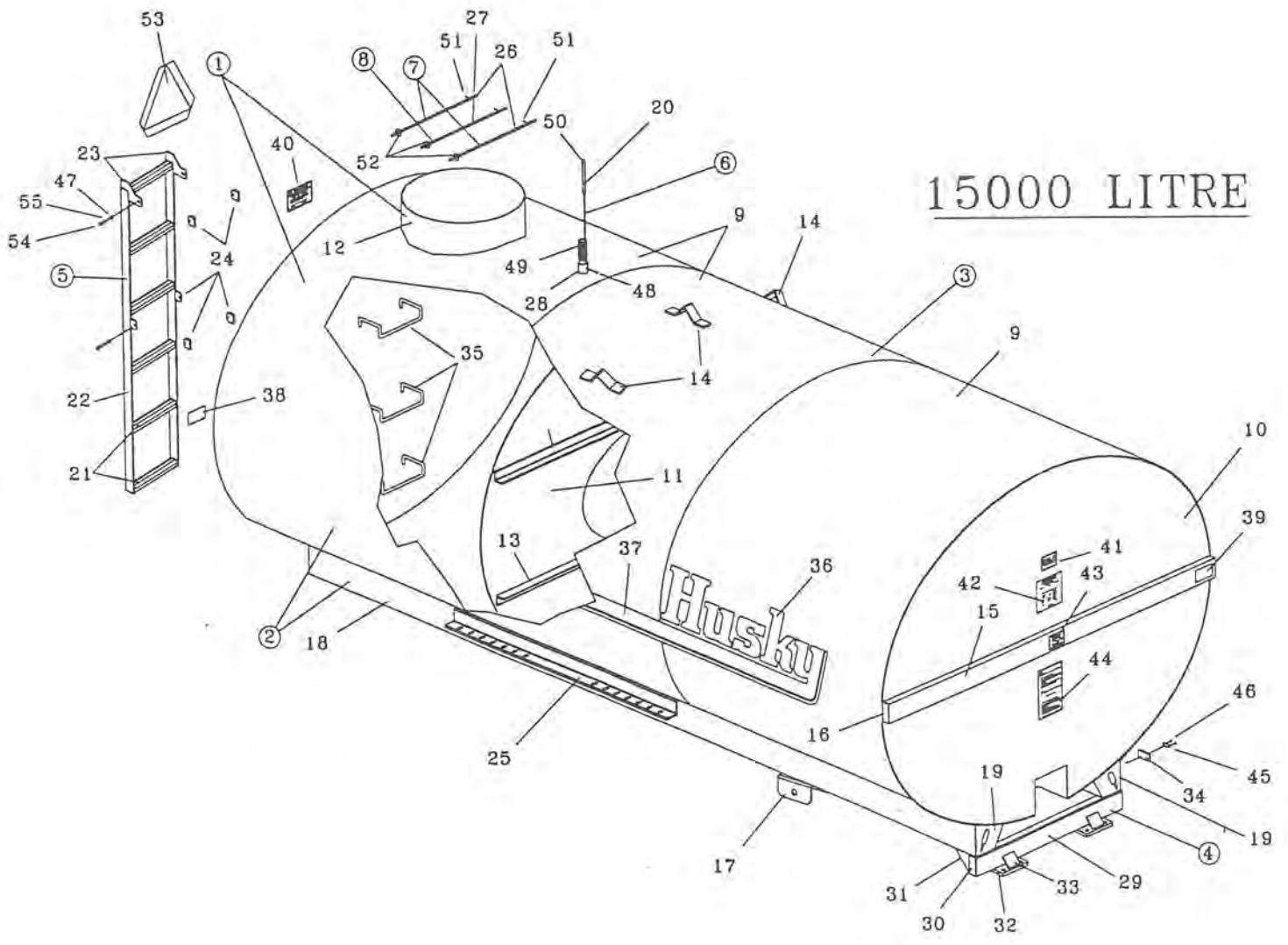


14000L TANK COMPLETE CONTINUED

<u>Keys</u>	<u>Parts Number</u>	<u>Description</u>	<u>Qty</u>
9	330-66-21-255	14000L Tank Shell	3
10	330-66-21-254	14000L Tank End	2
11	330-66-21-256	14000L Baffle	1
12	364-02-00-006	Manhole	1
13	330-66-21-570	Baffle Reinforcing Angle	2
14	300-01-00-012	Lift Hook	3
15	330-66-00-257	Tank Stiffener	2
16	330-66-00-258	Stiffener Caps	4
17	315-31-00-115	Tongue U Piece	2
18	330-67-00-259	14000L Sill	2
19	330-67-00-260	Sill Cap	4
20	340-62-00-553	Indictor	1
21	364-95-00-324	Ladder Step	6
22	364-95-00-325	Ladder Side	2
23	364-95-00-326	Ladder Lug	2
24	364-95-00-327	Ladder - Tank Lug	6
25	364-02-00-280	Axle Adjustment Angle	2
26	364-47-00-155	Manhole Safety Bar	2
27	364-49-00-164	Long Safety Bar	1
28	340-00-00-536	Flag Spring Holder	1
29	364-02-17-120	Cross Member	1
30	364-02-17-121	End Cap	2
31	364-02-17-128	Cross Member Gusset	2
32	364-02-17-122	Tongue Strap	2
33	364-02-17-123	Tongue Strap Gusset	2
34	340-01-00-498	Serial # Plate	1
35	364-02-00-008	Ladder Rung	3
36	R09510	Husky Decal	2
37	R09511	Accent Strip	2
38	R10096	Red Reflector	2
39	R10097	Amber Reflector	1
40	R09784	"Danger - Toxic Gas" Decal	1
41	R09509	Made in Canada Sticker	1
42	R09730	Tire Pressure Sticker	1
43	R09512	Capacity Sticker	1
44	R09783	"Caution" Decal	1
45	R09071	Serial Number	1
46	R08152	#6 x 1/4 Pan Hd Screw	2
47	R07783	3/8 Hex Nut	4
48	R07926	5/16-18 x 1/4 SS Set Screw	1
49	R08037	Flag Spring	1
50	R08163	Clip	1
51	R08207	5/32 x 1 1/4 SS Cotter Pin	3
52	R07825	1/2" Flat Washer	3
53	R09501	Slow Moving Vehicle Sign	1
54	R07620	3/8 x 1 1/2 Hex Bolt	4
55	R07803	3/8 Lock Washer	4

15000L TANK & SILL ASSEMBLY

<u>Keys</u>	<u>Parts Number</u>	<u>Description</u>	<u>Qty</u>
1	359-29-00-000	Tank, Sill, Funnel Complete	1
2	335-01-03-000	15000L Tank & Sill Assy.	1
3	335-01-01-000	15000L Tank Assy	1
4	364-42-00-000	Cross Member Assy	1
5	364-95-00-000	Ladder Assy.	1
6	340-62-00-000	Husky Flag Kit	1
7	364-47-00-000	Manhole Safety Bar Assembly	2
8	364-49-00-000	Long Manhole Safety Bar Assy.	1



FAN & HOUSING KIT

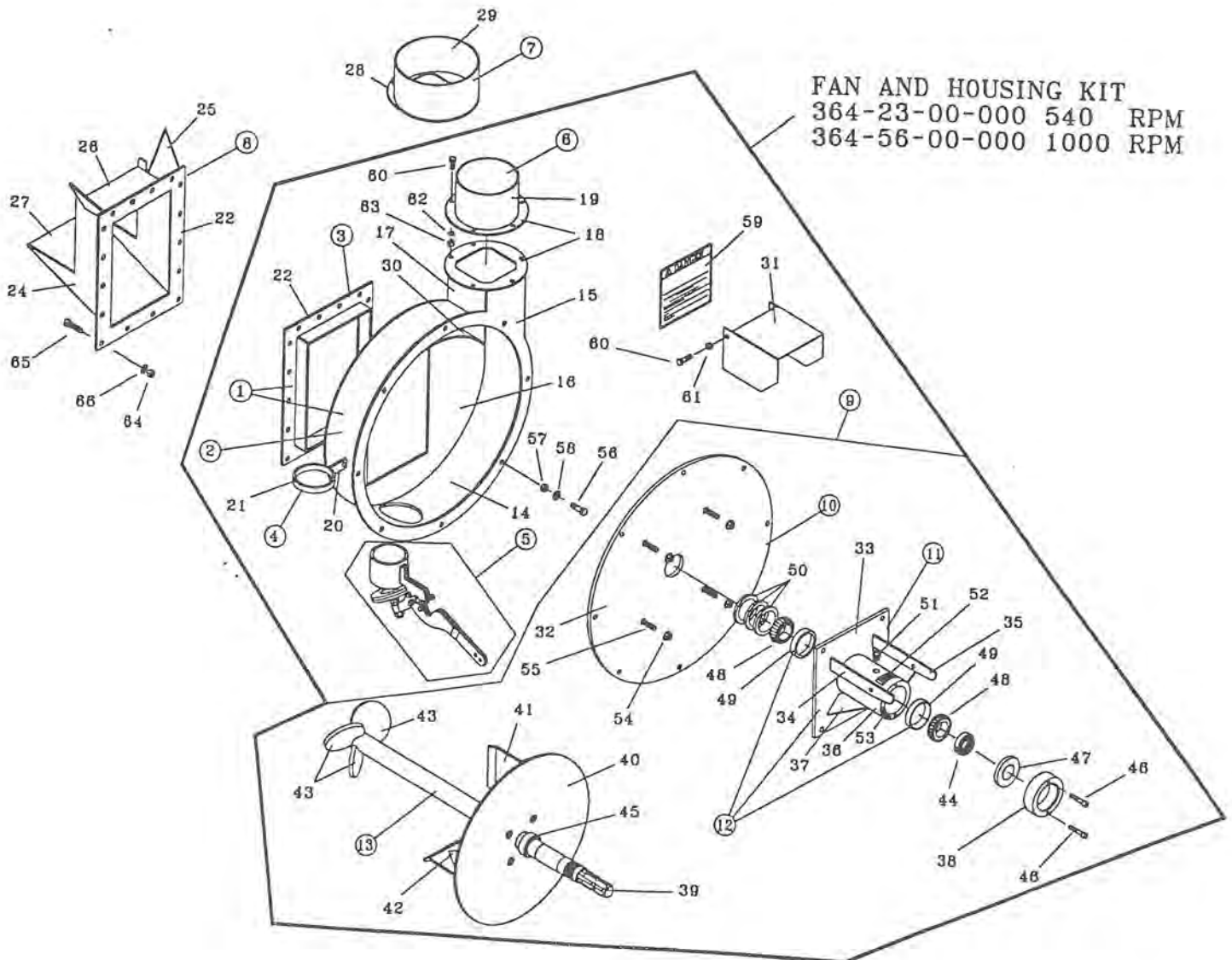
<u>Keys</u>	<u>Parts Number</u>	<u>Description</u>	<u>Qty</u>
1	364-81-00-000	Fan & Housing Assy Complete	1
2	364-81-01-000	Fan Housing w/o Flange	1
3	364-81-02-000	Housing Inlet Flange Assy	1
4	364-41-00-000	P T O Holder Assy	1
5	364-62-00-000	Drain Plug Kit	1
6	364-31-00-000	Hose Tube Assy "6"	1
7	358-92-01-000	Hose Tube Assy "8"	1
8	364-82-00-000	Flanged Tank Outlet Assy	1
9	364-65-00-000	540 Fan, Cover Plate & Bearing Kit	1
	364-66-00-000	1000 Fan, Cover Plate & Bearing Kit	1
10	364-67-00-000	Cover plate assy	1
11	364-61-00-000	Bearing Holder Assy	1
12	364-61-01-000	Bearing holder assy w/caps	1
13	364-72-00-000	540 fan shaft & agitator assy	1
	364-73-00-000	1000 fan shaft & agitator assy	1
14	364-01-03-018	Housing Band	1
15	364-01-03-019	Housing flange	1
16	364-01-03-106	Housing back plate	1
17	364-01-03-081	Fan housing vertical pc	1
18	364-01-03-376	Discharge Ring - 6"	2
19	364-01-03-063	Discharge tube	1
20	364-41-00-133	PTO holder bracket	1
21	364-41-00-132	PTO holder	1
22	364-81-02-393	Flange	2
23	364-81-02-394	Inlet extension	2
24	364-82-00-395	RH outlet side pc	1
25	364-82-00-396	LH outlet side pc	1
26	364-01-03-104	Outlet Top Pc	1
27	364-01-03-105	Outlet bottom pc	1
28	358-92-01-301	Discharge ring	1
29	358-92-01-302	Discharge tube	1
30	364-01-03-156	Housing Band Aid	1
31	364-00-00-029	Flip guard	1
32	364-67-00-211	Cover plate	1
33	364-61-00-192	Seal tube back plate	1
34	364-61-00-197	R H Flip Guard Bracket	1
35	364-61-00-198	LH flip guard bracket	1
36	364-61-00-191	Bearing tube	1
37	364-61-00-193	Seal tube gusset	2
38	364-00-00-332	Seal Tube Cap	1
39	364-72-00-226	Fan shaft	1
40	364-63-00-209	Impeller back plate	1
41	364-63-00-208	540 r p m fan blade	4
	364-64-00-210	1000 R P M Fan Blade	4
42	364-03-00-024	Gusset	4
43	364-72-00-227	Agitator blades	3
44	364-00-00-212	Stake nut	1
45	R20238	Hardened Sleeve	1
46	R08175	5/16 - 18 u n c x 1 3/4 cap screw	2
47	R21196	Seal - 1.5 x 2.835 x .313	1
48	R20115	Cone	2
49	R20113	Cup	2

15000L TANK COMPLETE CONTINUED

<u>Keys</u>	<u>Parts Number</u>	<u>Description</u>	<u>Qty</u>
9	335-01-01-002	15000L Tank Shell	3
10	330-66-21-254	15000L Tank End	2
11	330-66-21-256	15000L Baffle	1
12	364-02-00-006	Manhole	1
13	330-66-21-570	Baffle Reinforcing Angle	2
14	300-01-00-012	Lift Hook	3
15	330-66-00-257	Tank Stiffener	2
16	330-66-00-258	Stiffener Caps	4
17	315-31-00-115	Tongue U Piece	2
18	335-01-00-001	15000L Sill	2
19	330-67-00-260	Sill Cap	4
20	340-62-00-553	Indicator	1
21	364-95-00-324	Ladder Step	6
22	364-95-00-325	Ladder Side	2
23	364-95-00-326	Ladder Lug	2
24	364-95-00-327	Ladder - Tank Lug	6
25	364-02-00-280	Axle Adjustment Angle	2
26	364-47-00-155	Manhole Safety Bar	2
27	364-49-00-164	Long Safety Bar	1
28	340-00-00-536	Flag Spring Holder	1
29	364-02-17-120	Cross Member	1
30	364-02-17-121	End Cap	2
31	364-02-17-128	Cross Member Gusset	2
32	364-02-17-122	Tongue Strap	2
33	364-02-17-123	Tongue Strap Gusset	2
34	340-01-00-498	Serial Number Plate	1
35	364-02-00-008	Ladder Rung	3
36	R09510	Husky Decal	2
37	R09511	Accent Strip	2
38	R10096	Red Reflector	2
39	R10097	Amber Reflector	1
40	R09784	"Danger-Toxic Gas" Decal	1
41	R09509	Made in Canada Sticker	1
42	R09730	Tire Pressure Sticker	1
43	R09512	Capacity Sticker	1
44	R09783	"Caution" Decal	1
45	R09071	Serial Number	1
46	R08152	#6 x 1/4 Pan Hd Screw	2
47	R07783	3/8 Hex Nut	4
48	R07926	5/16-18 X 1/4 Ss Set Screw	1
49	R08037	Flag Spring	1
50	R08163	Clip	1
51	R08207	5/32 x 1 1/4 SS Cotter Pin	3
52	R07825	1/2" Flat Washer	3
53	R09501	Slow Moving Vehicle Sign	1
54	R07620	3/8 x 1 1/2 Hex Bolt	4
55	R07803	3/8 Lock Washer	4

FAN & HOUSING KIT CONTINUED

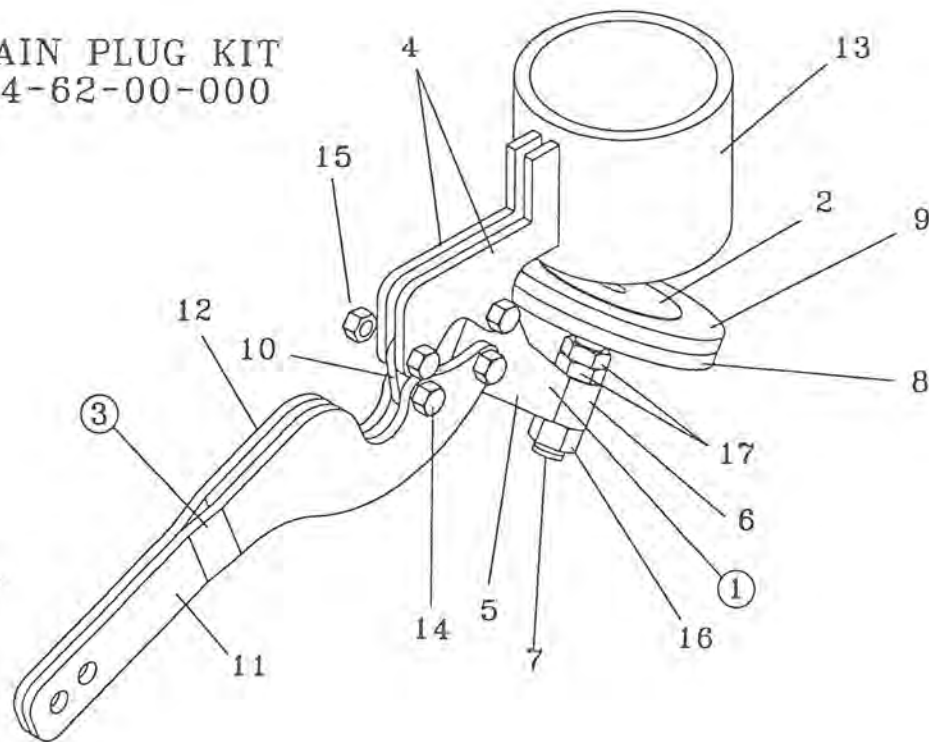
<u>Keys</u>	<u>Parts Number</u>	<u>Description</u>	<u>Qty</u>
50	R21197	Seal 2 1/2 x 3 x 1/4	3
51	R08188	1/4" N p t grease fitting	1
52	R09787	"Grease". decal	1
53	R04100	Silicone Sealant	1
54	R07879	7/16" flange nut	4
55	R07774	7/16 x 1 1/4 carriage bolt gr.5 black	4
56	R07671	7/16 x 1 1/4 hex bolt	8
57	R07784	7/16 Hex Nut	8
58	R07804	7/16 lock washer	8
59	R09785	"Danger" decal	1
60	R07619	3/8 x 1 hex bolt	7
61	R07886	3/8 Lock Nut	2
62	R07803	3/8 lock washer	5
63	R07783	3/8 hex nut	5
64	R07785	1/2" hex nut	16
65	R07664	1/2 X 1 1/4 Hex Bolt	16
66	R07805	1/2" lock washer	16



DRAIN PLUG KIT

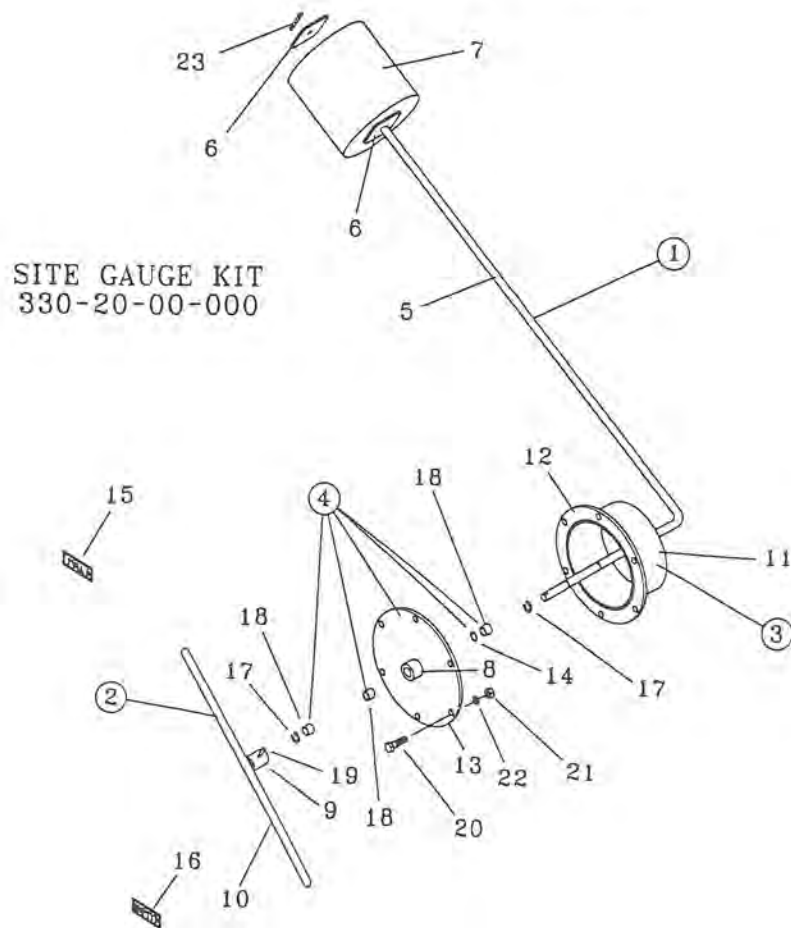
<u>Keys</u>	<u>Parts Number</u>	<u>Description</u>	<u>Qty</u>
1	364-62-01-000	Drain Plug Sleeve Assy	1
2	364-62-04-370	Plug Washer	1
3	364-62-03-000	Handle Assy	1
4	364-62-00-199	Housing Brkt	2
5	364-62-01-200	Sleeve Linkage	1
6	364-62-01-201	Sleeve	1
7	R08316	1/2 x 3 1/2 Full Thread Car Bolt	1
8	364-62-02-203	Plug Plate	1
9	364-62-02-204	Plug Rubber	1
10	364-62-00-205	Short Linkage	1
11	364-62-03-206	LH Handle	1
12	364-62-03-207	Rh Handle	1
13	364-01-03-110	Drain Pipe	1
14	R08176	1/4-20 UNC x 7/8 Short Thrd Bolt	4
15	R08048	1/4-20 Lock Nut	4
16	R07885	1/2-13 Unc Hex Nyloc Nut	1
17	R08046	1/2-13 UNC Jam Nut	3

DRAIN PLUG KIT
364-62-00-000



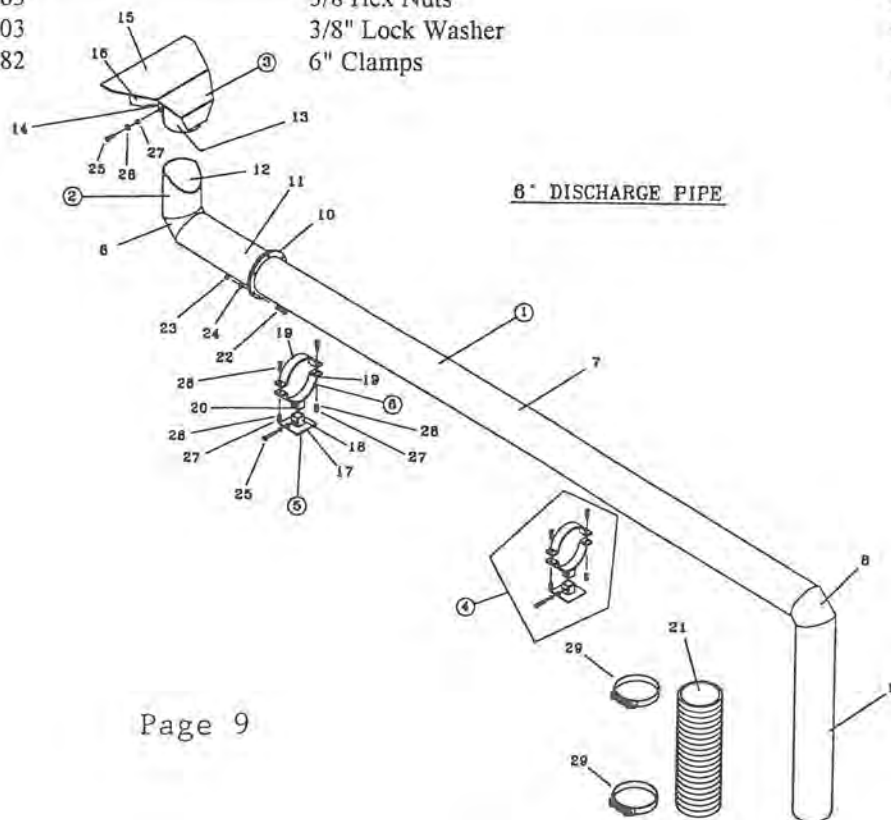
SIGHT GAUGE KIT

<u>Keys</u>	<u>Parts Number</u>	<u>Description</u>	<u>Qty</u>
1	330-20-01-000	Float Arm Assy	1
2	330-20-02-000	Indicator Arm Assy	1
3	330-20-03-000	Access Tube Assy.	1
4	330-20-04-000	Cover Plate Assy	1
5	330-20-01-551	Float Arm	1
6	330-20-01-552	Float Straps	2
7	330-93-00-375	Float	1
8	330-20-04-562	Bronze Bearing Holder	1
9	330-20-02-553	Indicator Arm Hub	1
10	330-20-02-554	Indicator Arm	1
11	330-20-03-556	Access Tube	1
12	330-20-03-560	Access Tube Flange	1
13	330-20-00-557	Cover Plate	1
14	R20865	1/2 x 5/8 x 1/16" O Ring	1
15	R09529	"Full" Decal	1
16	R09530	"Empty" Decal	1
17	R07974	External Retaining Ring	2
18	R21173	1/2 x 5/8 x 1/2" Bronze Bushing	3
19	R08241	3/16 x 1 Stainless Steel Roll Pin	1
20	R07675	3/8 x 1 1/4" Hex Bolt	6
21	R07783	3/8" Hex Nut	6
22	R07803	3/8" Lock Washer	6
23	R07995	1/8 x 1 1/2" Stainless Steel Cotter Pin	1



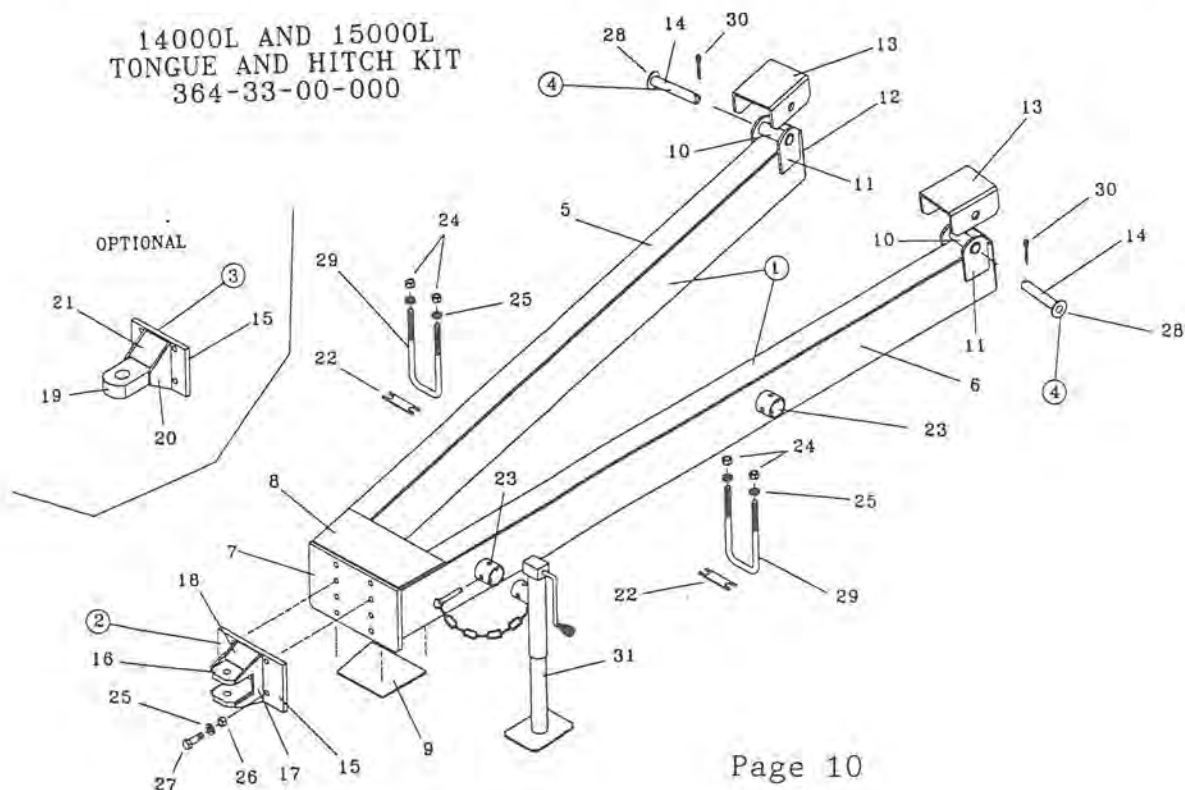
DISCHARGE PIPE ASSEMBLY 9000L - 15000L

<u>Keys</u>	<u>Parts Number</u>	<u>Description</u>	<u>Qty</u>
1	364-19-00-000	Discharge Pipe Assembly - 14000L	1
	359-30-00-000	Discharge Pipe Assembly - 15000L	1
	362-59-00-000	Discharge Pipe Assembly - 9000L & 12000L	1
	362-20-00-000	Discharge Pipe Assembly - 7000L	1
2	364-25-00-000	Discharge Pipe End Section	1
3	364-68-00-000	Splash Plate Assembly	1
4	357-16-00-000	6" Discharge Pipe Holder Kit	2
5	357-16-01-000	Base Holder Assy	2
6	357-16-02-000	Pipe Holder Assy	2
7	364-19-00-065	Horizontal Discharge Pipe 9000L, 12000L & 14000L	1
	359-30-00-108	Horizontal Discharge Pipe 15000L	1
	362-20-00-068	Horizontal Discharge Pipe 7000L	1
8	364-19-00-082	Discharge Pipe Corner Piece	2
9	364-19-00-064	Vertical Discharge Pipe 14000L & 15000L	1
	362-20-00-184	Vertical Discharge Pipe 7000L, 9000L & 12000L	1
10	364-19-00-087	Flange	2
11	364-25-00-088	Discharge Pipe Flange Piece	2
12	364-25-00-067	Discharge Pipe End Piece	1
13	364-68-00-215	Clamping Tube	1
14	364-21-00-071	Clamping Tube Bracket	2
15	364-21-00-069	Splash Plate	1
16	364-21-00-224	Splash Plate Wing	2
17	357-16-01-130	Base Plate	2
18	357-16-01-131	Stub	2
19	357-16-00-133	Pipe Holder - 6"	4
20	357-16-02-137	Upper Stub	2
21	364-00-00-066	Flex Hose	1
22	R07671	7/16 X 1 1/4 Hex Bolt	6
23	R07784	7/16 Hex Nut	6
24	R07804	7/16 Lock Washer	6
25	R07622	3/8 x 2 1/2 Hex Bolt	4
26	R07620	3/8 X 1 1/2 Hex Bolt	4
27	R07783	3/8 Hex Nuts	8
28	R07803	3/8" Lock Washer	8
29	R02482	6" Clamps	2



TONGUE AND HITCH

<u>Keys</u>	<u>Parts Number</u>	<u>Description</u>	<u>Qty</u>
1	364-32-00-000	Tongue Assy	1
2	364-05-00-000	Std. Hitch Assy	1
3	364-26-00-000	Single Point Hitch Assy	*
4	315-39-00-000	Lock Pin Assy	2
5	364-32-00-377	RH Tongue Tube	1
6	364-32-00-378	LH Tongue Tube	1
7	364-35-00-117	Hitch Bolt Plate	1
8	364-32-00-379	Tongue Tube Upper Gasket	1
9	364-32-00-380	Tongue Tube Lower Gusset	1
10	315-36-00-145	Bushing	2
11	315-36-00-146	Side Piece	4
12	315-36-00-147	Tongue Tube End Cap	2
13	315-31-00-115	Tongue "U" Piece	2
14	315-39-00-155	Lock Pin	2
15	364-05-00-030	Hitch Back Plate	1
16	364-05-00-031	Hitch Plate	2
17	364-05-00-032	Hitch Side Gusset	2
18	364-05-00-033	Hitch Upper Gusset	2
19	364-26-00-091	Single Point Hitch	1
20	364-26-00-092	Single Point Hitch Gusset	2
21	364-26-00-093	Hitch Upper & Lower Gusset	2
22	364-00-00-131	U Bolt Spacer	2
23	364-35-00-245	Tongue Jack Bracket	1
24	R07820	3/4 NF Hex Nut	4
25	R07807	3/4 Lock Washer	8
26	R07787	3/4 Hex Nut	4
27	R07655	3/4 x 2 1/2 Hex Bolt	4
28	R07828	1 Flat Washer	2
29	R08172	3/4 NF x 10 "U" Bolt	2
30	R08016	1/4 x 2 Cotter Pin	2
31	R09751	7000 LB Side Wind Jack	1



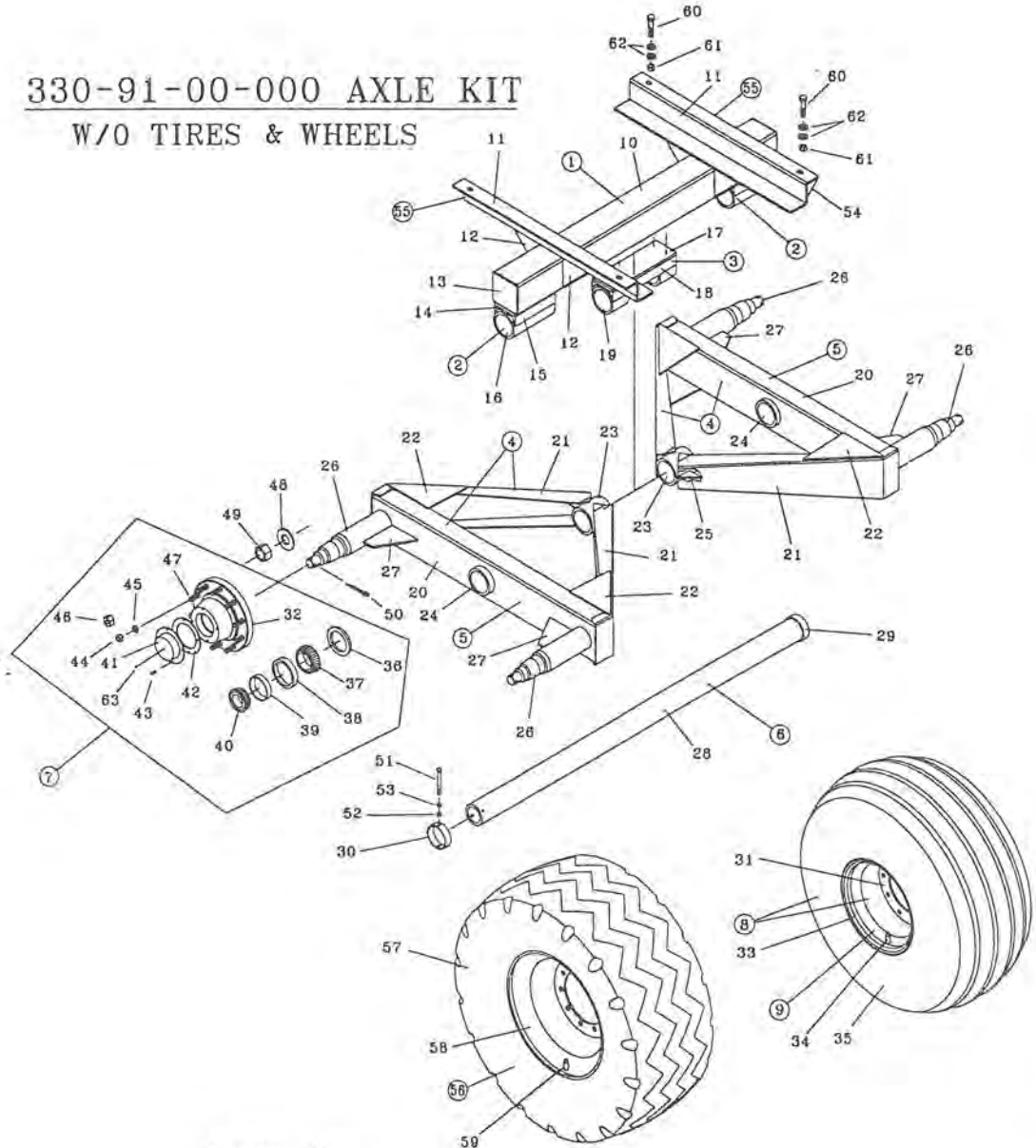
330-91-00-000 AXLE KIT

<u>Keys</u>	<u>Parts Number</u>	<u>Description</u>	<u>Qty</u>
1	330-69-00-000	Base Frame Assembly	1
2	325-62-18-000	Stationary Sleeve Assembly	2
3	330-69-22-000	Centre Sleeve Assembly	1
4	330-91-44-000	Tandem Side Assembly	2
5	330-91-36-000	Walking Beam Assembly	2
6	330-08-00-000	Axle Tube Assembly	1
7	340-43-00-000	Husky 10 Bolt Hub Complete 16000 Lb	4
8	340-54-00-000	21.5 X 16.1 14 Ply T&W 10 Bolt	*
	326-02-00-000	21.5 x 16.1 10 Ply T&W 10 Bolt	*
9	340-45-00-000	Wheel Assembly For 21.5 Tire	*
10	330-69-00-261	Cross Axle Support	1
11	358-85-00-253	Sill "Z" Plate	2
12	315-31-00-116	Double Gusset	4
13	325-62-00-238	Cover Plate	2
14	325-62-18-239	Long Spacer Bar	2
15	325-62-18-240	Long Channel Spacer	2
16	315-35-00-130	Stationary Sleeve	2
17	330-69-22-262	Centre Bar Spacer	1
18	330-69-22-263	Centre Channel Spacer	1
19	330-69-22-264	Centre Sleeve	2
20	325-63-00-245	Walking Beam	2
21	325-63-00-246	Tandem Side Arm	4
22	330-91-44-526	Gusset	8
23	325-63-00-247	Inside Rocker Sleeve	2
24	315-33-00-127	Outer Rocker Sleeve	2
25	325-63-00-244	Gusset	4
26	330-91-36-485	Welded Spindle For 10 Bolt Hub	4
27	330-91-36-486	Spindle Gusset	4
28	330-08-00-527	Main Axle Tube	1
29	330-08-00-528	Stop Ring	1
30	315-00-00-137	Retaining Ring	1
31	340-45-00-461	Centre Disc	4
32	340-43-00-451	16000 Lb Hub w/Cups	4
33	R20056	Rim For 21.5 Tire	*
34	R20020	Valve Stem for 21.5 Tire	4
35	R20014	21.5 X 16.1 14 Ply Implement Tire	*
	R20005	21.5 x 16.1 10 Ply Implement Tire	*
36	R20083	Seal CR-38730	4
37	R20086	Inner Cone #47687	4
38	R20088	Inner Cup #47620	4
39	R20089	Outer Cup #39520	4
40	R20087	Outer Cone #39585	4
41	340-43-00-554	Dust Cap	4
42	R20084	Dust Cap Gasket	4
43	R07690	Dust Cap Bolt 5/16 x 5/8	16
44	R07820	3/4-16 Unf Fedalloy Hex Nut (21.5 Wh)	*
45	R07834	3/4 Fedalloy Flat Washer (21.5 Wheel)	*
46	R20097	3/4 SPH-RAD Wheel Nut (18 x 22.5 Wheel)	40
47	R20096	3/4-16 UNF Wheel Stud	40
48	340-00-00-556	I 13/16 Spindle Washer	4

330-91-00-000 AXLE KIT

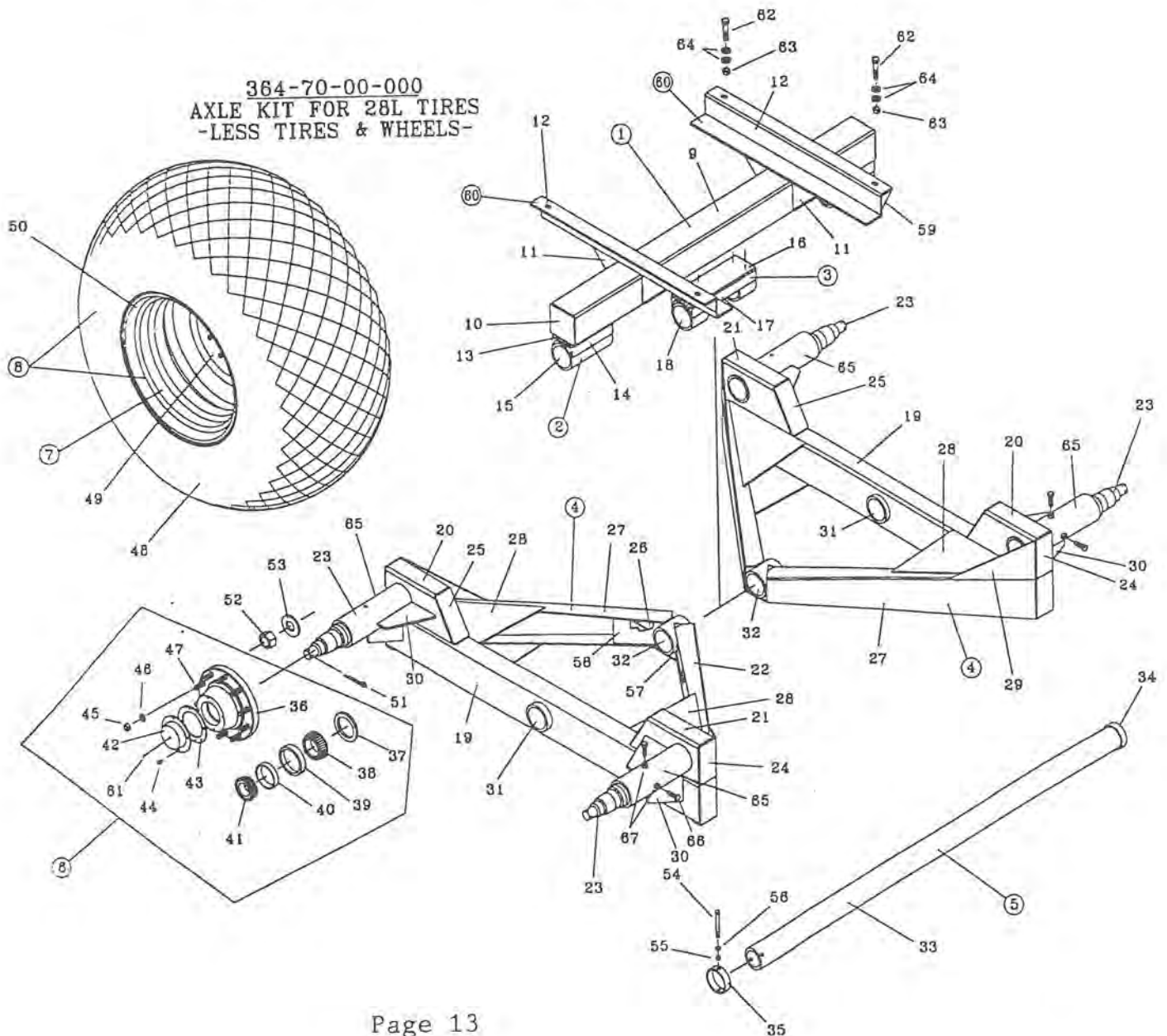
<u>Keys</u>	<u>Parts Number</u>	<u>Description</u>	<u>Qty</u>
49	R20092	1 3/4-12 UNF Spindle Nut	4
50	R20095	5/16 x 4 Cotter Pin	4
51	R07645	1/2 x 6 Hex Bolt	1
52	R07785	1/2 Hex Nut	1
53	R07805	1/2 Lock Washer	1
54	330-69-00-550	Gusset	4
55	330-69-01-000	Sill "Z" Plate Assembly	2
56	340-19-00-000	18 x 22.5 Used Truck Tire & Wheel 10 Bolt	*
57	R20011	18 x 22.5 Used Truck Tire	*
58	R20059	10 Bolt Wheel 13.5 x 22.5	*
59	R20050	Valve Stem For Truck Tire	*
60	R07655	3/4" x 2 1/2 Hex Bolt	4
61	R07878	3/4" Nyloc Nut	4
62	R07827	3/4" Flat Washer	8
63	R08183	1/4 - 28 UNF Grease Fitting	4

330-91-00-000 AXLE KIT W/O TIRES & WHEELS



364-70-00-000 AXLE KIT

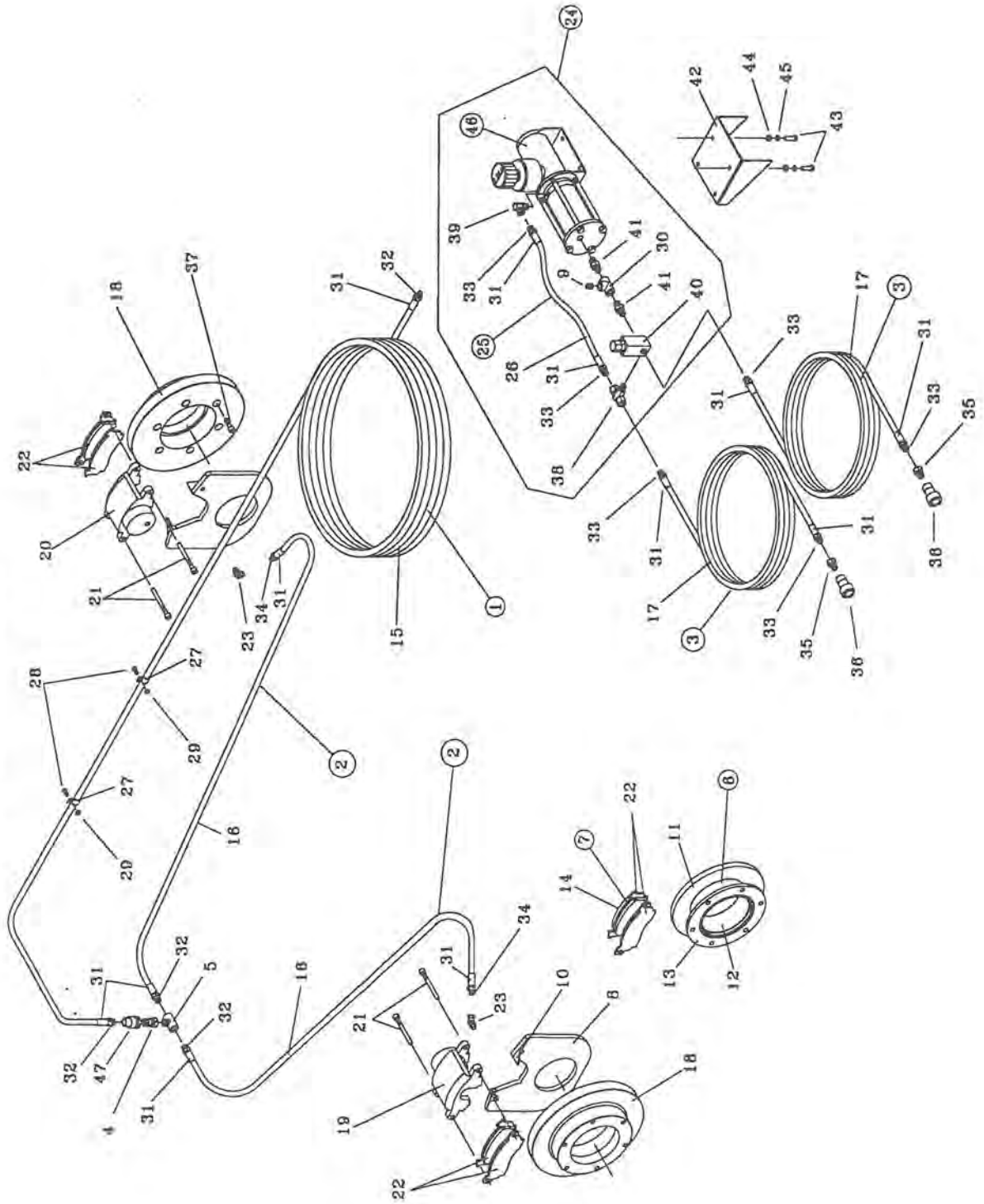
<u>Keys</u>	<u>Parts Number</u>	<u>Description</u>	<u>Qty</u>
1	330-03-41-000	Base Frame Assy.	1
2	325-62-18-000	Stationary Sleeve Assy	2
3	330-69-22-000	Centre Sleeve Assy	1
4	364-70-01-000	Walking Beam Assy	2
5	330-09-00-000	Axle Tube Assy	1
6	340-43-00-000	Husky 10 Bolt Hub Complete - 16000 Lb	4
7	R20040	Wheel Assy For 28L Tire	4
8	330-04-00-000	28L X 26 Tire And Wheel Assy	4
9	330-03-41-504	Cross Axle Support	1
10	325-62-00-238	Cover Plate	2
11	315-31-00-116	Double Gusset	4
12	358-85-00-253	Sill "Z" Plate	2
13	325-62-18-239	Spacer Bar	2
14	325-62-18-240	Long Channel Spacer	2
15	315-35-00-130	Stationary Sleeve	2
16	330-69-22-262	Centre Bar Spacer	1



364-70-00-000 AXLE KIT CONTINUED

<u>Keys</u>	<u>Parts Number</u>	<u>Description</u>	<u>Qty</u>
17	330-69-22-263	Centre Channel Spacer	1
18	330-69-22-264	Centre Sleeve	2
19	330-03-42-505	Walking Beam	2
20	364-70-01-391	Rh Walking Beam Spindle Tube	2
21	364-70-01-390	LH Walking Beam Spindle Tube	2
22	330-03-42-508	Tandem Side Arm	2
23	340-00-00-347	Spindle	4
24	330-03-42-511	End Cap	4
25	330-03-42-512	Angled End Cap	4
26	330-03-42-513	Gusset	4
27	330-03-42-524	Tandem Side Arm	2
28	330-03-42-525	Gusset	8
29	330-03-42-516	Gusset	4
30	330-91-36-486	Spindle Gusset	8
31	315-33-00-127	Outer Rocker Sleeve	2
32	325-63-00-247	Inside Rocker Sleeve	2
33	330-09-00-529	Main Axle Tube	1
34	330-08-00-528	Stop Ring	1
35	315-00-00-137	Retaining Ring	1
36	340-43-00-451	16000 Lb Hub With Cups, Nuts And Bolts	4
37	R20083	Seal CR-38730	4
38	R20086	Inner Cone 47687	4
39	R20088	Inner Cup 47620	4
40	R20089	Outer Cone 39585	4
41	R20087	Outer Cup 39520	4
42	340-43-00-554	Dust Cap	4
43	R20084	Dust Cap Gasket	4
44	R07690	Dust Cap Bolt 5/16 X 5/8	16
45	R07820	3/4-16 UNF Fedalloy Hex Nut	40
46	R07834	3/4 Fedalloy Flat Washer	40
47	R20096	3/4-16 UNF Wheel Stud	40
48	R20015	28L X 26 Tire And Tube	4
49	R20052	Centre Disc For 28L x 26 Wheel	4
50	R20053	Rim For 28L x 26 Tire	4
51	R20095	5/16 x 4 Cotter Pin	4
52	R20092	1 3/4 -12 Unf Spindle Nut	4
53	340-00-00-556	1 13/16 Spindle Washer	4
54	R07645	1/2 x 6 Hex Bolt	1
55	R07785	1/2 Hex Nut	1
56	R07805	1/2 Lock Washer	1
57	330-03-42-547	Reinforcing Plate	2
58	330-03-42-548	Filler Plate	4
59	330-69-00-550	Gusset	4
60	330-69-01-000	Sill "Z" Plate Assembly	2
61	R08183	Grease Fitting	4
62	R07655	3/4 x 2 1/2 Hex Bolt	4
63	R07878	3/4" Nylon Nut	4
64	R07827	3/4" Flat Washer	8
65	364-70-01-392	Spindle Sleeve	4
66	R07927	5/8 x 1 1/2 Sq Head Set Screw	8
67	R07786	5/8 Hex Nut	8

DISC BRAKES FOR
12, 14 & 15000 L TANKS



311-00-00-000

BRAKE KIT FOR 21.5L X 16.1 TIRES

312-00-00-000

BRAKE KIT FOR 18 X 22.5 AND 28L X 26 TIRES

<u>Keys</u>	<u>Parts Number</u>	<u>Description</u>	<u>Qty</u>
1	340-17-38-000	Main Brake Line Assy	1
2	312-04-00-000	Hyd. Brake Hose Assy	2
	312-08-00-000	Hyd. Brake Hose Assy For Drop Axle	*
3	340-17-39-000	Hyd. Hose Master Cyl. To Tractor	2
4	R21339	3/8" Male Pioneer End	1
5	R22111	3/8" Hyd Tee - F x F x M	1
6	311-16-00-000	Brake Disc Assy	2*
7	310-15-00-000	Pad & Spacer Assy	2*
8	340-08-10-332	Caliper Mounting Plate (28L)	2
	311-17-00-050	Caliper Mounting Plate (21.5)	2*
9	R02151	3/8" Pipe Plug	1
10	340-08-10-334	Caliper Plate Support	4
11	311-16-00-024	Brake Disc	2*
12	311-16-00-025	Disc Spacer	2*
13	340-10-00-350	Disc Hold Down Plate	2*
14	340-15-00-023	Pad Spacer	2*
15	340-77-38-544	Main Hyd. Brake Hose	1
16	312-04-00-028	Hyd. Hose	2
	312-08-00-051	Hyd. Hose For Drop Axle	*
17	340-17-39-545	Hyd. Hose - Master Cyl. To Tractor	2
18	R20098	Cast Brake Disc	2~
19	R21065	RH Disc Brake Caliper Assy TC500	1
20	R21066	LH Disc Brake Caliper Assy TC501	1
21	R21070	Guide Pins	4
22	R21067	Brake Pads (Pair)	2
23	R21308	45 Deg. x 7/16 SAE x 1/4 NPT Adaptor	2
24	312-09-00-000	Master Cylinder Kit Complete	1
25	312-06-05-000	Hyd. Hose Assy	1
26	312-06-05-048	Hyd. Hose	1
27	R21104	Hyd. Hose Clips	8
28	R07698	1/4 x 1/2 Hex Head Bolt	8
29	R07781	1/4 Hex Head Nut	8
30	R21400	Solid Hyd Tee	2
31	R21231	Steel Ferrule - 1/4" Hose	10
32	R20806	3/8-18 NPT Swivel Male Stem	4
33	R20803	3/8-18 Npt Solid Male Stem	6
34	R20802	1/4-18 NPT Solid Male Stem	2
35	R02043	1/2 x 3/8 Bushing	2
36	R21342	Pioneer Coupler	2
37	R07871	1/2-20 X 3 Nf Socket Head Cap Screw	12
38	R21391	3/8 NPT Swivel Tee Adaptor	1
39	R21334	1/4 M x 3/8 FM x 90 Deg Swivel Adaptor	1
40	R21201	Relief Valve	1
41	R21397	3/8 Hyd. Nipple	2
42	312-06-00-047	Tongue Bracket	1
43	R07620	3/8-16 UNC x 1 1/2 Hex Bolt	4
44	R07788	3/8-16 UNC Hex Nut	4
45	R07803	3/8 Lock Washer	4
46	312-06-00-000	Master Cylinder Less Hoses & Restrictors	1
47	R21337	3/8" Female Pioneer End	1

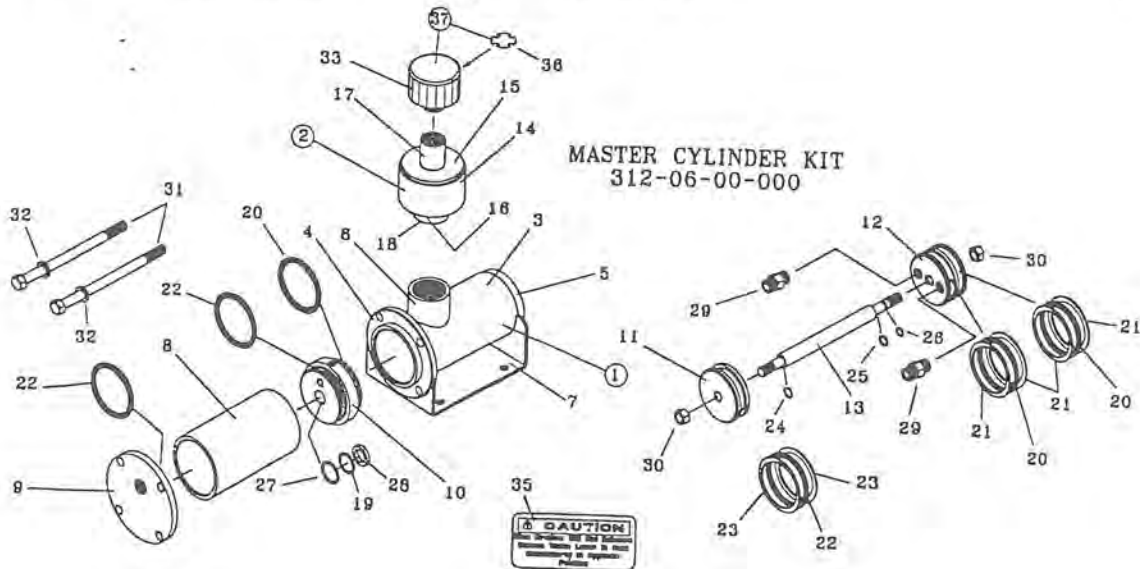
Note:

* For 21.5L x 16.1 Tires Only

~ For 18 x 22.5 & 28L x 26 Tires Only

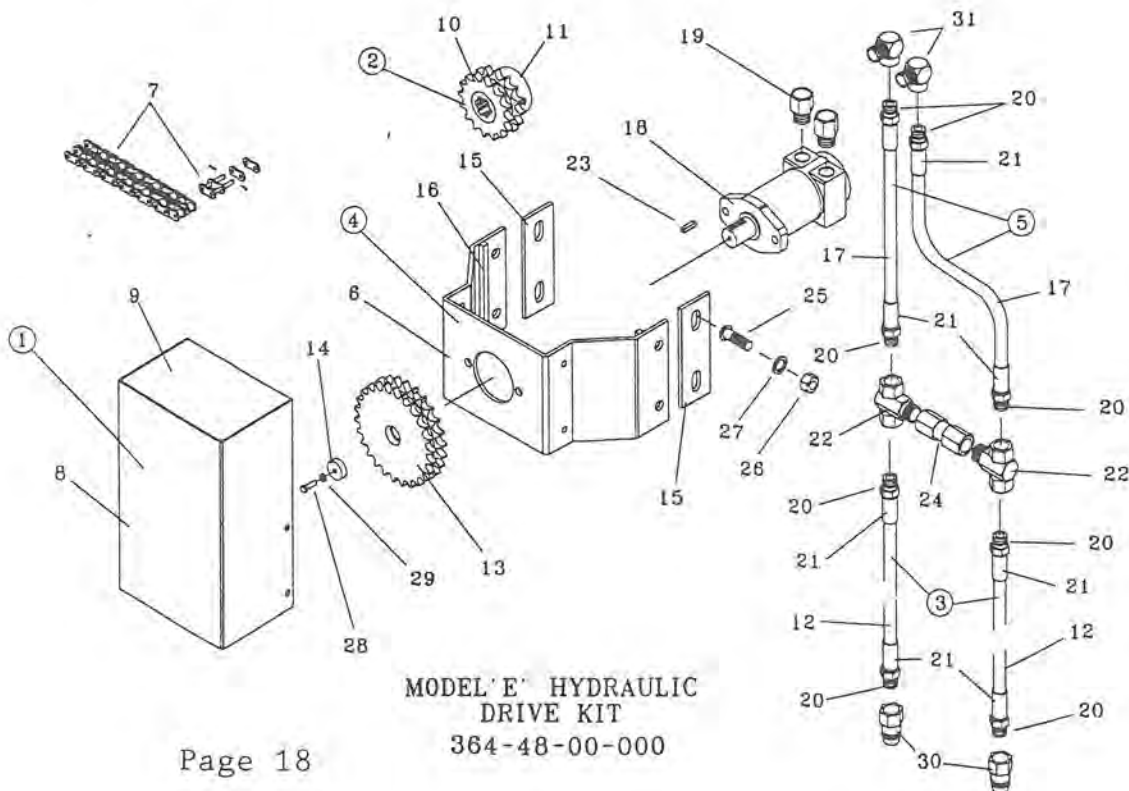
MASTER CYLINDER

<u>Keys</u>	<u>Parts Number</u>	<u>Description</u>	<u>Qty</u>
1	312-06-02-000	Master Cylinder Tube Assembly	1
2	312-06-03-000	Reservoir Assy	1
3	312-06-02-030	Master Cylinder Tube	1
4	312-06-02-031	Master Cylinder Flange	1
5	312-06-02-032	Master Cylinder End Cap	1
6	312-06-02-033	Coupler	1
7	312-06-02-034	Mount Plate	1
8	312-06-00-035	Hydraulic Cylinder Tube	1
9	312-06-00-036	Hydraulic Cylinder End Cap	1
10	312-06-00-037	Cylinder Divider Block	1
11	312-06-00-038	Hydraulic Plunger	1
12	312-06-00-039	Master Cylinder Plunger	1
13	312-06-00-040	Shaft	1
14	312-06-03-041	Reservoir Tube	1
15	312-06-03-042	Reservoir Top Plate	1
16	312-06-03-043	Reservoir Bottom Plate	1
17	312-06-03-045	Reservoir Coupling	1
18	312-06-03-046	Reservoir Nipple	1
19	R20874	3/4" Back Up Teflon	1
20	R20868	Ep Oring #334 (2 5/8 X 3 X 3/16)	3
21	R20873	Back Ups Teflon #334	4
22	R20836	O Ring #11-334 (2 5/8 x 3 x 3/16)	3
23	R20837	Back Ups #8-334	2
24	R20865	O Ring #11-014 (1/2 X 5/8 X 1/16)	1
25	R20870	EP Oring 014 (1/2 x 5/8 x 1/16)	1
26	R20869	EP Oring 012 (3/8 x 1/2 x 1/16)	1
27	R20871	EP Oring 210 (3/4 x 1 x 1/8)	1
28	R20872	3/4" Hytrel Rod Wiper 52-750	1
29	R21207	3/8 Check Valve	2
30	R07885	1/2"-13 UNC Lock Nut	2
31	R07679	1/2-13 UNC x 8 Hex Bolt	4
32	R07805	1/2 Lock Washer	4
33	R21103	Filler Breather	1
34	312-07-00-000	O Ring Repair Kit	*
35	R09689	"Caution" Decal	1
36	312-06-00-052	Breather Baffle	1
37	312-06-06-000	Breather Cap Kit	1



364-48-00-000 MODEL "E" HYDRAULIC DRIVE KIT

<u>Keys</u>	<u>Parts Number</u>	<u>Description</u>	<u>Qty</u>
1	364-48-22-000	Guard Assembly	1
2	364-48-23-000	Fan Shaft Sprocket Assy	1
3	364-48-24-000	Hydraulic Hose Assy - To Tractor	2
4	364-48-31-000	Motor Mount Assembly	1
5	364-48-32-000	Hydraulic Hose Assy - Motor To Chk Valve	2
6	364-48-31-157	Hydraulic Motor Mount	1
7	364-48-00-158	#60 Double Roller Chain w/ Conn	1
8	364-48-22-159	Guard Body	1
9	364-48-22-160	Guard Cap	1
10	364-48-23-161	Fan Shaft Sprocket #D60B16	1
11	364-48-23-162	Spline Adaptor	1
12	364-48-24-163	3/4" Hydraulic Hose	2
13	364-48-00-166	Motor Sprocket #D60B26	1
14	364-48-00-167	Plug	1
15	364-48-00-185	Motor Mount Bracket	2
16	364-48-31-186	Guide Bar	2
17	364-48-32-187	3/4" Hydraulic Hose	2
18	R21346	110 Series Nichols - Gray Hyd Motor	1
19	R20815	7/8-14 M x 3/4 Adaptor	2
20	R21241	3/4" Male Solid Stem	8
21	R20824	3/4" Ferrule	8
22	R21393	3/4" NPT Hyd Swivel Tee	2
23	R11114	Key	1
24	R21202	3/4" NPT In Line Check Valve	1
25	R07753	5/8 x 1 1/2 Carriage Bolt	4
26	R07786	5/8 Hex Nut	4
27	R07806	5/8 Lock Washer	4
28	R07603	1/4 x 1 1/2 Hex Bolt	1
29	R07801	1/4" Lock Washer	1
30	R21338	3/4" Pioneer Tip	2
31	R21368	3/4" Hydraulic Street Elbow	2

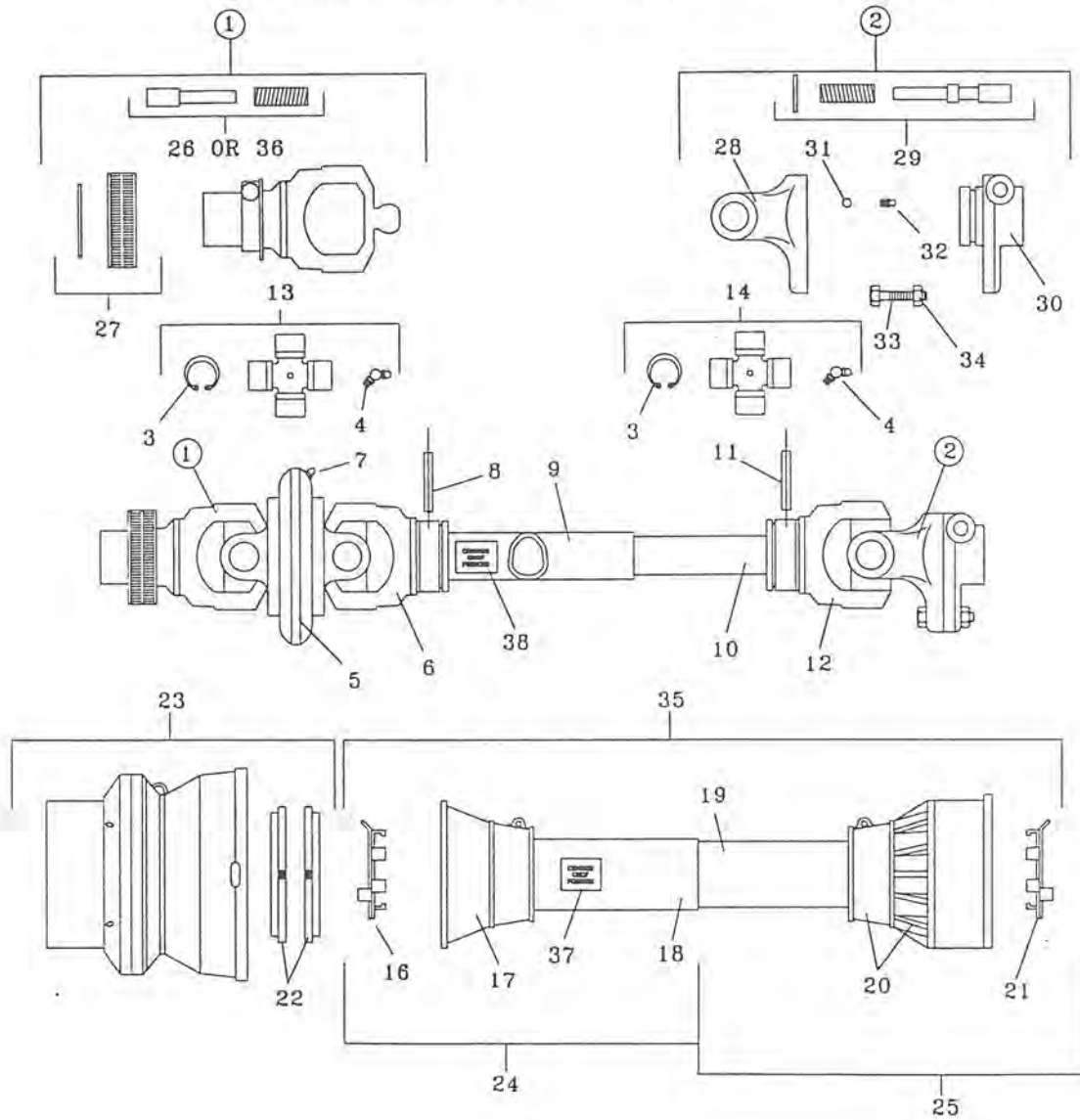


MODEL "E" HYDRAULIC
DRIVE KIT
364-48-00-000

BONDIOLI AND PAVESI PTO

C/W 80° CV JOINT

R21582-540 RPM	1	3/8"	6 TOOTH SPLINE
R21583-1000 RPM	1	3/8"	21 TOOTH SPLINE
R21584-1000 RPM	1	3/4"	20 TOOTH SPLINE



80 DEG. BONDIOLI AND PAVESI CV PTO - R21582 540 RPM 6 TOOTH

- R21583 1000 RPM 21 TOOTH

- R21584 1000 RPM 20 TOOTH

<u>Keys</u>	<u>Mfg #</u>	<u>Part #</u>	<u>Description</u>	<u>Qt</u>
1	573043875	R21712	1 3/4" - 20 T Yoke	1
	573040375	R21681	Yoke w/ Bridge 540 RPM 1 3/8 - 6 T	1
	573043775	R21680	Yoke w/ Bridge 1000 RPM 1 3/8 - 21 T	
2	606404001	R21473	Torque Lim Sb 4/4	1*
3	338009000	R21613	Circlip	8
4	348004000	R21655	Grease Nipple	3
5	511040051	R21685	Central Body	1
6	215046854	R21686	Yoke	1
7	348017000	R21687	Grease Nipple	1
8	341038000	R21475	Flexible Pin	1*
9	225311060	R22177	Cardan Tube	1
10	245101060	R22176	Cardan Tube Cm	1
11	341048000	R21476	Flexible Pin	1*
12	204046852	R21472	Inner Tube Yoke	1*
13	412040012	R21682	Cross Journal Assy	2
14	41204	R21693	Cross Journal Assy	1
15	338017000	R21694	Circlip	4
16	255040005	R21696	O. Bearing 3-4	1*
17	254040024	R21697	O. Basic Cones N3-4	1
18	236681007	R22179	Cm Safety Tube L=1007	1
19	236671007	R22178	CM Safety Tube L=1007	1
20	517040061	R21700	I. Cone Set N3-4	1
21	255040006	R21701	I. Bearing 3-4	1*
22	255040351	R21702	Ring Nut Dowels	2
23	517048001	R21703	Complete Shell	1
24	5FE4121E1654	R22181	Half Safety Guard	1
25	5F14121FF	R22181	Half Safety Guard	1
26	403000001	R21669	Complete Push Button	1~
27	240080061	R21670	Hub	1~
	240040061	R21708	Hub for 1 3/4" 20T	*
28	213040020	R21704	Shear Yoke	1
29	401000001	R21451	Complete Push Button	1~*
30	513070324	R21706	Hub c/w Quick Disconnect	1
31	362002000	R21705	1/4" Ball	23
32	348012000	R21672	Grease Nipple	1
33	432000047	R08251	M8 1.25 X 45 Bolt	1
34		R08252	M8 1.25 x Lock Nut	1
35	5F04121E1654	R22182	Safety Guard	1
36	403000011	R21735	Push Pin for 1 3/4 - 20 T Turnlock	
37		R21521	"Warning" Decal	1
38		R21523	"Shield Missing" Decal	1

* Same as 70 Deg. CV. PTO

~ Same as K31

