

Office Copy

05/09/2006

Date Purchased \_\_\_\_\_ Machine Serial No. \_\_\_\_\_

Size of Spreader \_\_\_\_\_ Options \_\_\_\_\_

24/mad  
Apr 9/07 2"  
July 26/0 3"  
Oct 3/07 3"

The key number system in this parts book is arranged as follows:

- ⊙ - Key numbers with two circles denotes main assemblies.
- - Key numbers with one circle are individual parts

Please order parts by number



12000L ELITE SPREADER • 363-00-00-000

**OPERATING INSTRUCTIONS:**

1. Heed all warnings.
2. Minimum HP requirements to safely operate on level terrain, on hilly terrain HP should be increased.

|        |       |        |
|--------|-------|--------|
| 4500L  | ----- | 70 HP  |
| 7000L  | ----- | 85 HP  |
| 9000L  | ----- | 95 HP  |
| 12000L | ----- | 110 HP |
| 14000L | ----- | 130 HP |
| 15000L | ----- | 140 HP |
| 18000L | ----- | 160 HP |
| 23000L | ----- | 200 HP |
| 28000L | ----- | 250 HP |

3. If machine is equipped with hydraulic brakes that are operated from the tractor hydraulics, they will not work should the tractor motor stop. Inspect brakes before each use. Brakes must be bled before initial use unless installed at factory. When releasing brakes the tractor hydraulic lever must be put in the opposing position to release pressure. Do not put in float position they will not release.
4. Tractor PTO spline must be approximately 14" (355mm) from end of compressed PTO for proper adjustment
5. Hitch tanker to tractor with minimum 1" (25mm) hardened hitch pin with a safety lock. Use 10,000 Lbs safety chain from spreader to tractor.
6. Do not use tongue stand to support loaded spreader. Put jack in storage position before using.
7. When hooking PTO to tractor make sure motor is stopped. Make sure QD (Quick Disconnect) safety locking pin is in locked position before using.
8. Clean off hose ends before plugging into tractor hydraulics. If spreader is equipped with hydraulic drive on spreading attachment, make sure tractor has sufficient oil flow and pressure to maintain satisfactory spread pattern, if not use another tractor.



**OPERATING INSTRUCTIONS continued:**

9. After using spreader in freezing conditions make sure impeller housing is drained.
10. Wash tank inside and out each time work is finished. This will increase the life of the tank by many years. See item 6 of Safety instructions
11. Do not drive on public roads after dusk unless equipped with lights required by Department of Transportation in your area.
12. Remove wheels annually and grease wheel bearings.
13. Because manure smells, many farmers have made unfriendly neighbours. If in a residential area a manure injector is a recommended option to bury the smell.
14. Much of the fertilizer value of manure is lost when exposed to air. Getting the manure covered quickly is a very important part of spreading manure.
15. If rustproof coating on interior shows signs of deterioration, have interior repainted. This can be done with a roller or brush. This helps to increase the life of your spreader. It is a valuable maintenance procedure.

**SAFETY INSTRUCTIONS:**

Do not operate this machine until you fully understand the safe operating practices.

1. Make sure all moving parts are shielded to prevent coming in contact with loose clothing.
2. Keep children clear; do not let children or any person(s) ride the spreader at anytime.
3. Do not support loaded spreader on tongue jack.
4. Keep tire pressure to recommended pressure at all times. Recommended tire pressure being:

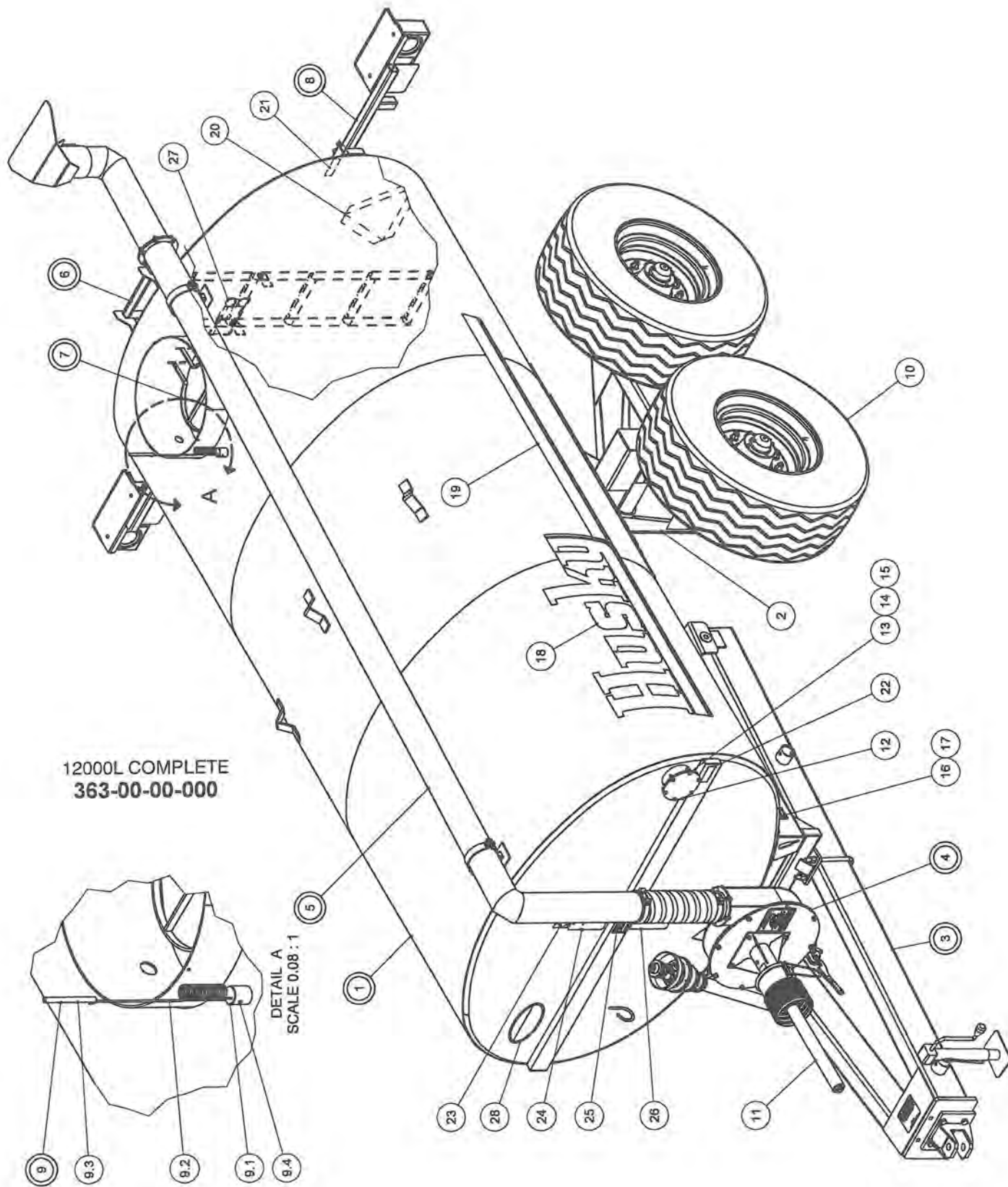
|              |                    | Lbs | KPA |
|--------------|--------------------|-----|-----|
| 40 x 14      | Airplane Tires     | 55  | 379 |
| 44 x 16      | Airplane Tires     | 55  | 379 |
| 47 x 18 x 18 | Airplane Tires     | 55  | 379 |
| 50 x 20 x 20 | Airplane Tires     | 55  | 379 |
| 16.5L x 16.1 | Implement Tires    | 35  | 241 |
| 21.5L x 16.1 | Implement Tires    | 35  | 241 |
| 18.4L x 26   | Turf Tires         | 30  | 207 |
| 23.1L x 26   | Turf Tires         | 24  | 166 |
| 28L x 26     | Turf Tires         | 24  | 166 |
| 30.54L x 32  | Turf Tires         | 24  | 166 |
| 35.5L x 32   | 20 ply Turf Tires  | 32  | 220 |
| 18L x 22.5   | Truck Tires        | 65  | 448 |
| 23.5L x 25   | Loader Dozer Tires | 55  | 379 |

5. Keep wheel bolts torqued to the recommended torque at all times. (Check Daily)

| Wheel Bolt Size    | Ft/Lbs Torque (Dry) | Ft/Lbs. - Oiled | Meter/Kg - Torque Dry | Meter/Kg - Oiled |
|--------------------|---------------------|-----------------|-----------------------|------------------|
| 9/16 - 18 NF GR. 5 | 120                 | 90              | 16.59                 | 12.44            |
| 5/8 - 18 NF GR. 8  | 240                 | 180             | 33.18                 | 24.89            |
| 3/4 - 16 NF GR. 8  | 420                 | 310             | 58.07                 | 42.86            |

6. Never enter a tanker without special breathing equipment to supply oxygen. Manure gases can kill instantly. One breath of Hydrogen Sulphide can kill.
7. When repairing hydraulic hoses, always relieve pressure in hose. Always wear safety glasses while working on spreader.
8. Caution - disc brakes will not release until valve lever is held momentarily in opposite position. This will relieve pressure in brake line. Do not put in float position, they will not release. (Rule does not apply to Husky Manure Spreaders equipped with a Knott Brake System)

12000L COMPLETE



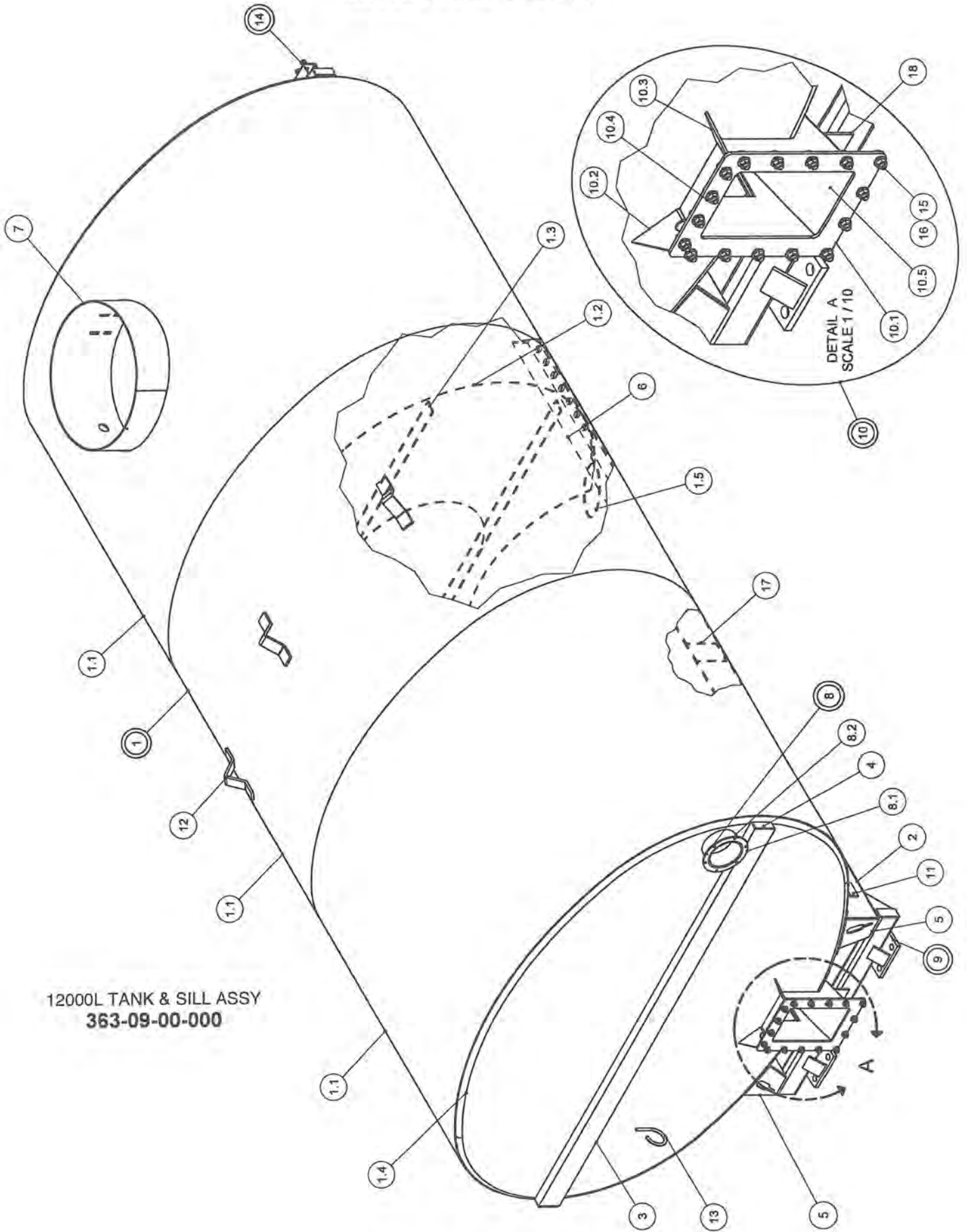
12000L COMPLETE  
363-00-00-000

DETAIL A  
SCALE 0.08 : 1

# 12000L COMPLETE

| PARTS LIST |               |   |     |
|------------|---------------|---|-----|
| ITEM       | PART NUMBER   | DESCRIPTION                               | QTY |
| 1          | 363-09-00-000 | 12000L TANK & SILL ASSY                   | 1   |
| 2          | 330-91-00-000 | AXLE KIT FOR 21.5 & 18 TIRES              | 1   |
| 3          | 364-33-00-000 | EXTENDED TONGUE KIT                       | 1   |
| 4          | 364-23-00-000 | 540 FAN & HOUSING KIT                     | 1   |
| 5          | 363-14-00-000 | 9000L & 12000L 6" DISCHARGE PIPE KIT      | 1   |
| 6          | 364-95-00-000 | LADDER ASSY                               | 1   |
| 7          | 357-63-00-000 | SAFETY BAR ASSY                           | 1   |
| 8          | 357-30-00-000 | TAIL LIGHT KIT                            | 1   |
| 9          | 340-62-00-000 | INDICATOR KIT                             | 1   |
| 9.1        | 340-00-00-536 | FLAG SPRING HOLDER                        | 1   |
| 9.2        | R08037        | SPRING FOR SPREADER FLAG                  | 1   |
| 9.3        | 340-62-00-553 | INDICATOR HOSE                            | 1   |
| 9.4        | R07926        | 5/16-18 x 1/4" SET SCREW                  | 1   |
| 10         | 340-19-00-000 | 18 x 22.5 USED TRUCK TIRE & WHEEL 10 BOLT | 4   |
| 11         | R21582        | 540 RPM PTO                               | 1   |
| 12         | 330-00-00-559 | ACCESS TUBE COVER PLATE                   | 1   |
| 13         | R07675        | 3/8 x 1 1/4 UNC HEX BOLT                  | 6   |
| 14         | R07803        | 3/8" LOCK WASHER                          | 6   |
| 15         | R07783        | 3/8-16 UNC HEX NUT                        | 6   |
| 16         | R09071        | SERIAL NUMBER PLATE                       | 1   |
| 17         | R08152        | 6 x 1/4 PAN HD SOCKET SCREW               | 2   |
| 18         | R09510        | "HUSKY" DECAL                             | 2   |
| 19         | R09511        | ACCENT STRIP                              | 2   |
| 20         | R09501        | SLOW MOVING VEHICLE DECAL                 | 1   |
| 21         | R10096        | RED REFLECTOR                             | 2   |
| 22         | R10097        | AMBER REFLECTOR                           | 1   |
| 23         | R09509        | "MADE IN CANADA" DECAL - LARGE            | 1   |
| 24         | R09730        | TORQUE, TIRE PRESSURE DECAL               | 1   |
| 25         | R09512        | CAPACITY DECAL                            | 1   |
| 26         | R09783        | "CAUTION" DECAL                           | 1   |
| 27         | R10334        | TOXIC GAS PICTORAL DECAL                  | 1   |
| 28         | R10335        | MANURE SPILL DECAL                        | 1   |

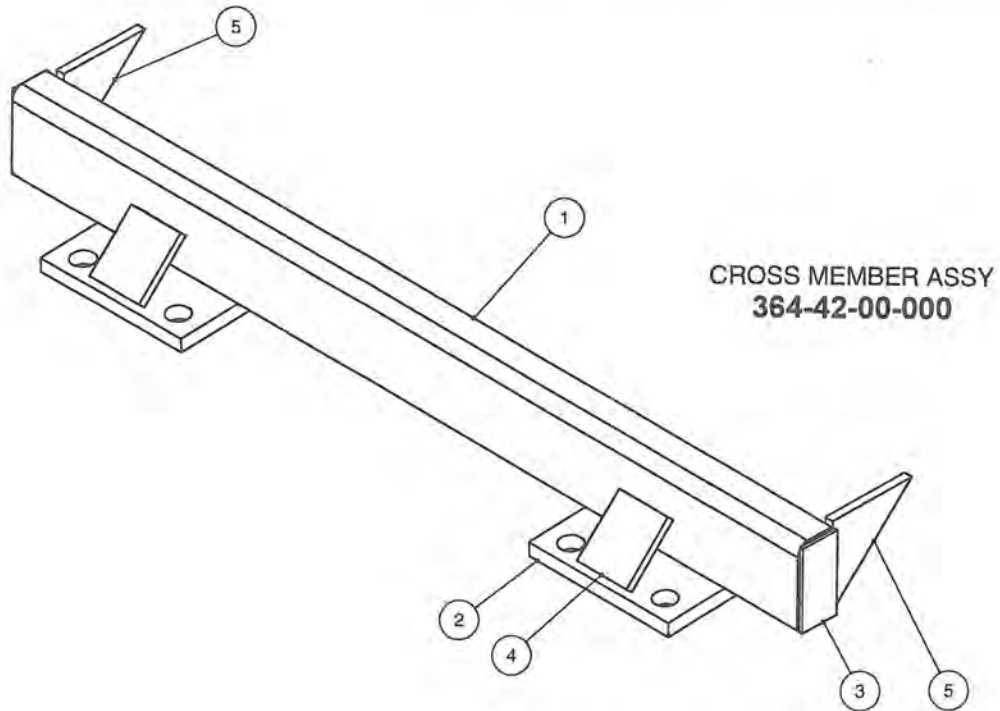
12000L TANK & SILL ASSY



12000L TANK & SILL ASSY  
363-09-00-000

## 12000L TANK & SILL ASSY

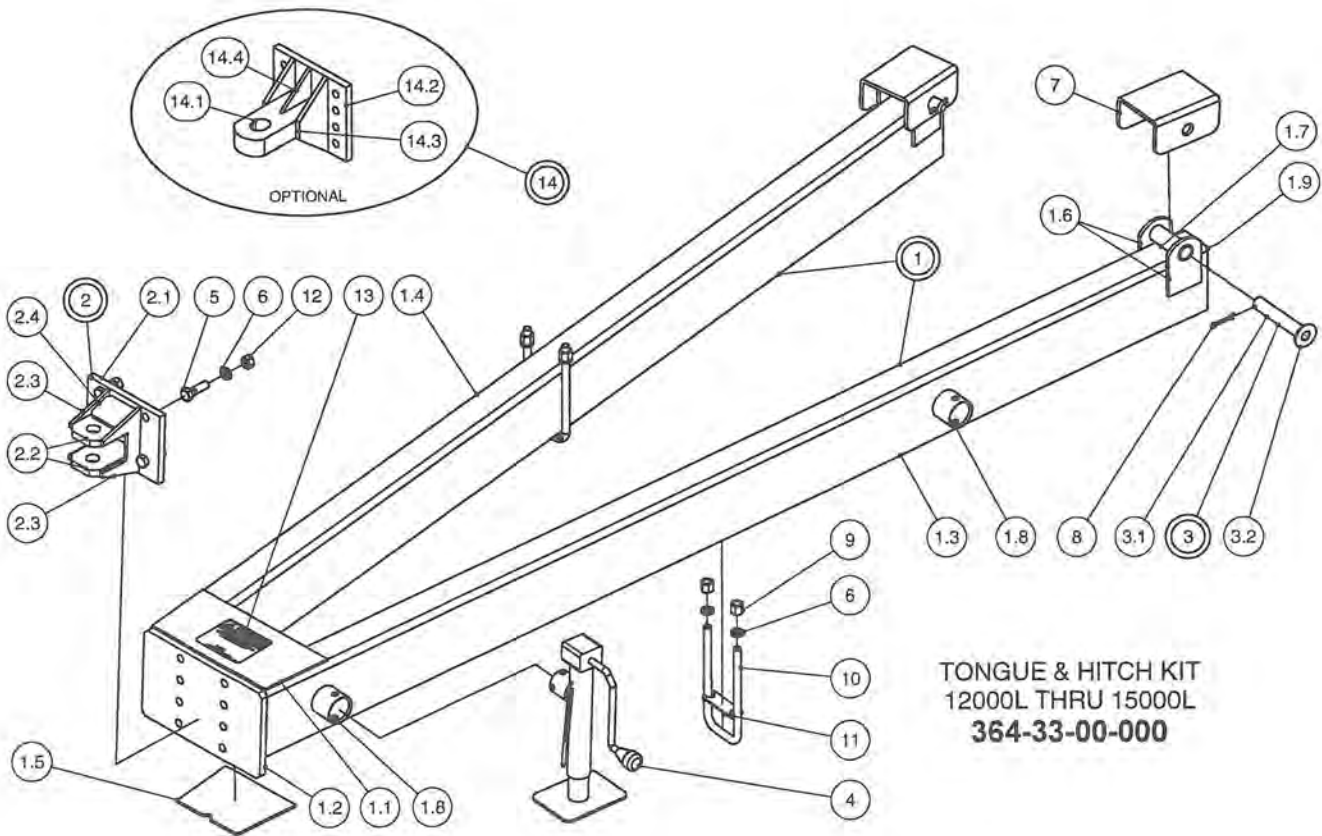
| PARTS LIST |               |                                 |     | PARTS LIST |               |                          |     |
|------------|---------------|---------------------------------|-----|------------|---------------|--------------------------|-----|
| ITEM       | PART NUMBER   | DESCRIPTION                     | QTY | ITEM       | PART NUMBER   | DESCRIPTION              | QTY |
| 1          | 326-88-25-000 | 12000L TANK ASSY                | 1   | 9          | 364-42-00-000 | CROSS MEMBER ASSY        | 1   |
| 1.1        | 326-88-25-278 | 12000L TANK SHELL               | 3   | 10         | 364-82-00-000 | FLANGED TANK OUTLET      | 1   |
| 1.2        | 326-88-25-279 | 12000L BAFFLE                   | 1   | 10.1       | 364-81-02-393 | HOUSING FLANGE           | 1   |
| 1.3        | 326-88-25-571 | 12000L PROFILE BAFFLE REIN. BAR | 2   | 10.2       | 364-82-00-395 | LH OUTLET SIDE PC        | 1   |
| 1.4        | 326-88-25-277 | 12000L FLANGED END              | 2   | 10.3       | 364-82-00-396 | RH OUTLET SIDE PC        | 1   |
| 1.5        | 340-01-01-559 | OVAL REINFORCING PLATE          | 2   | 10.4       | 364-01-03-104 | OUTLET TOP PC            | 1   |
| 2          | 326-89-00-283 | 12000 L SILL                    | 2   | 10.5       | 364-01-03-105 | OUTLET BOTTOM PC         | 1   |
| 3          | 326-88-00-280 | TANK END STIFFENER              | 2   | 11         | 340-01-00-498 | SERIAL NO. BACK PLATE    | 1   |
| 4          | 330-66-00-258 | STIFFENER END CAP               | 4   | 12         | 300-01-00-012 | TANK LIFT HOOK           | 3   |
| 5          | 326-89-00-284 | SILL CAP                        | 4   | 13         | 315-30-00-108 | HYD. HOSE HOOK           | 1   |
| 6          | 364-02-00-280 | AXLE ADJUSTMENT ANGLE           | 2   | 14         | 357-30-03-000 | MOUNT BRKT ASSY          | 2   |
| 7          | 364-02-00-006 | 24" MANHOLE                     | 1   | 15         | R07674        | 1/2 x 1 1/4 UNC HEX BOLT | 16  |
| 8          | 330-20-03-000 | ACCESS TUBE ASSY                | 1   | 16         | R07795        | 1/2-13 UNC FLANGE NUT    | 16  |
| 8.1        | 330-20-03-560 | ACCESS TUBE FLANGE              | 1   | 17         | 330-66-00-573 | SILL REINFORCING PLATE   | 2   |
| 8.2        | 330-20-03-556 | ACCESS TUBE                     | 1   | 18         | 364-00-00-558 | TANK OUTLET BRACE        | 1   |



| PARTS LIST |               |                     |     |
|------------|---------------|---------------------|-----|
| ITEM       | PART NUMBER   | DESCRIPTION         | QTY |
| 1          | 364-02-17-120 | CROSS MEMBER        | 1   |
| 2          | 364-02-17-122 | TONGUE STRAP        | 2   |
| 3          | 364-02-17-121 | END CAP             | 2   |
| 4          | 364-02-17-123 | TONGE STRAP GUSSET  | 2   |
| 5          | 364-02-17-128 | CROSS MEMBER GUSSET | 2   |

# 12000L-15000L TONGUE & HITCH KIT

| PARTS LIST |               |                             |     | PARTS LIST |               |                           |     |
|------------|---------------|-----------------------------|-----|------------|---------------|---------------------------|-----|
| ITEM       | PART NUMBER   | DESCRIPTION                 | QTY | ITEM       | PART NUMBER   | DESCRIPTION               | QTY |
| 1          | 364-32-00-000 | TONGUE ASSY                 | 1   | 3.2        | R07828        | 1" FLAT WASHER            | 1   |
| 1.1        | 364-32-00-379 | TONGUE TUBE UPPER GUSSET    | 1   | 4          | R09751        | 7000LB SIDE WIND JACK     | 1   |
| 1.2        | 364-35-00-117 | HITCH BOLT PLATE            | 1   | 5          | R07655        | 3/4 x 2 1/2 HEX BOLT      | 4   |
| 1.3        | 364-32-00-378 | LH TONGUE TUBE - LONG STYLE | 1   | 6          | R07807        | 3/4" LOCK WASHER          | 8   |
| 1.4        | 364-32-00-377 | RH TONGUE TUBE - LONG STYLE | 1   | 7          | 315-31-00-115 | TONGUE "U" PC             | 2   |
| 1.5        | 364-32-00-380 | TONGUE TUBE LOWER GUSSET    | 1   | 8          | R08016        | 1/4 x 2 COTTER PIN        | 2   |
| 1.6        | 315-36-00-146 | TONGUE SIDE PC              | 4   | 9          | R07820        | 3/4" FED. HIGH HEX NUT    | 4   |
| 1.7        | 315-36-00-145 | TONGUE BUSHING              | 2   | 10         | R08172        | 3/4" UNF x 10" - "U" BOLT | 2   |
| 1.8        | 364-35-00-245 | TONGUE JACK BRKT            | 2   | 11         | 364-00-00-131 | U - BOLT SPACER           | 2   |
| 1.9        | 315-36-00-147 | TONGUE TUBE COVER           | 2   | 12         | R07787        | 3/4 - 10 UNC HEX NUT      | 4   |
| 2          | 364-05-00-000 | HITCH ASSY                  | 1   | 13         | R09672        | CAUTION PTO LENGTH DECAL  | 1   |
| 2.1        | 364-05-00-030 | HITCH BACK PLATE            | 1   | 14         | 358-44-00-000 | SINGLE POINT HITCH ASST   | 1   |
| 2.2        | 364-05-00-031 | HITCH PLATE                 | 2   | 14.1       | 364-26-00-091 | SINGLE POINT HITCH        | 1   |
| 2.3        | 364-05-00-032 | HITCH SIDE GUSSET           | 2   | 14.2       | 358-43-00-139 | HITCH BACK PLATE          | 1   |
| 2.4        | 364-05-00-033 | HITCH GUSSET                | 2   | 14.3       | 358-44-00-144 | SIDE GUSSET               | 2   |
| 3          | 315-39-00-000 | LOCK PIN ASSY               | 2   | 14.4       | 358-44-00-145 | TOP GUSSET                | 2   |
| 3.1        | 315-39-00-155 | TONGUE LOCK PIN             | 1   |            |               |                           |     |

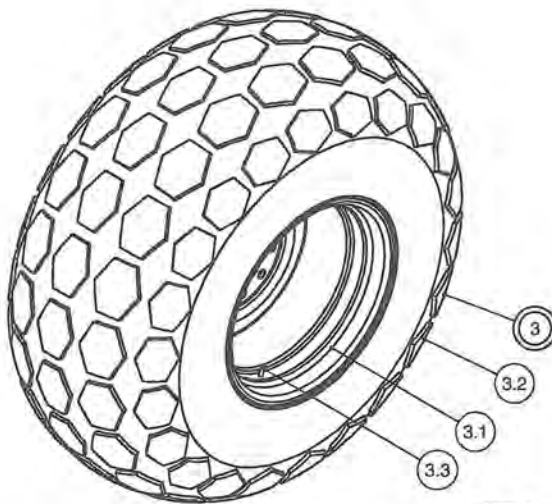




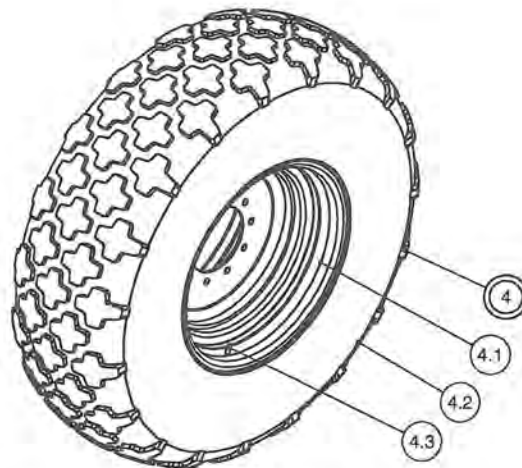
# 12000L THRU 15000L TIRES

| PARTS LIST |               |   |     | PARTS LIST |               |                                 |     |
|------------|---------------|---|-----|------------|---------------|---------------------------------|-----|
| ITEM       | PART NUMBER   | DESCRIPTION                               | QTY | ITEM       | PART NUMBER   | DESCRIPTION                     | QTY |
| 1          | 340-19-00-000 | 18 x 22.5 USED TRUCK TIRE & WHEEL 10 BOLT | 4   | 3          | 330-04-00-000 | 28L x 26 TIRE & WHEEL ASSY      | 4   |
|            |               |   |     | 3.1        | R20040        | 28L x 26 - 16000lb RIM          | 1   |
| 1.1        | R20059        | 10 BOLT WHEEL 13.5 x 22.5                 | 1   | 3.2        | R20015        | 28L x 26 TURF TIRE              | 1   |
| 1.2        | R20011        | 18 x 22.5 USED TRUCK TIRE                 | 1   | 3.3        | R20161        | VALVE STEM                      | 1   |
| 1.3        | R20050        | VALVE STEM FOR TRUCK TIRE                 | 1   | 4          | 340-68-00-000 | 18.4 X 26 TIRE & WHEEL ASSY     | 4   |
| 2          | 326-02-00-000 | 21.5 x 16.1 10 PLY T&W 10 BOLT            | *   | 4.1        | R20075        | 16" x 26" 10 BOLT WHEEL         | 1   |
| 2          | 340-54-00-000 | 21.5 x 16.1 14 PLY T&W 10 BOLT            | 4   | 4.2        | R20100        | 18.4" x 26" 10 PLY TBLS TIRE    | 1   |
| 2.1        | R20056        | RIM FOR 21.5 TIRE - 10 BOLT               | 1   | 4.3        | R20161        | VALVE STEM                      | 1   |
| 2.2        | R20014        | 21.5 x 16.1 14 PLY IMPLEMENT TIRE         | 1   | 5          | 359-80-00-000 | TIRE & WHEEL ASSY - 700/50x26.5 | 4   |
|            | R20005        | 21.5 x 16.1 10 PLY IMPLEMENT TIRE         | *   | 5.1        | R22555        | 24 x 26.5 10-11.25 WHEEL        | 1   |
| 2.3        | R20020        | VALVE STEM                                | 1   | 5.2        | R22554        | 700/50x26.5 TBLS TIRE           | 1   |
|            |               |   |     | 5.3        | R20161        | VALVE STEM                      | 1   |

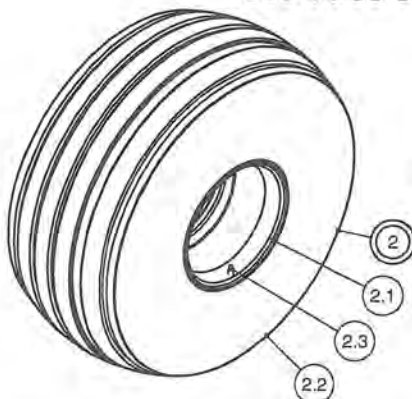
\* OPTIONAL



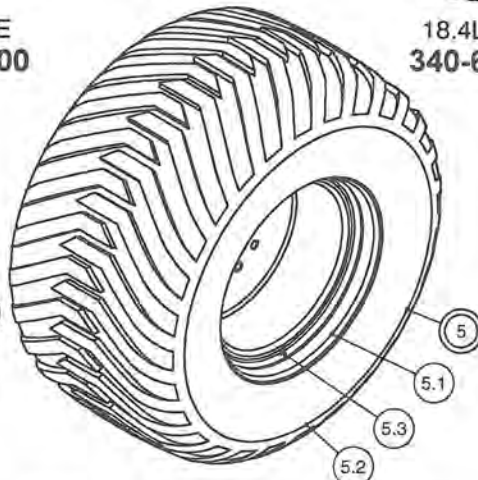
**28L x 26 TIRE  
330-04-00-000**



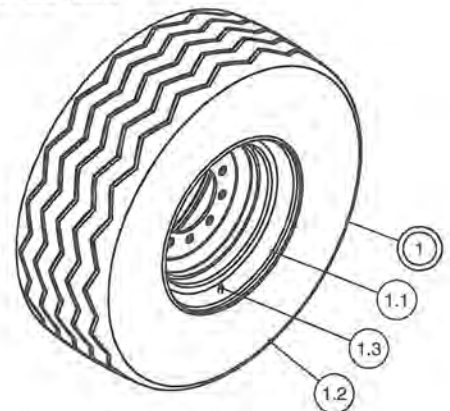
**18.4L x 26 TIRE  
340-68-00-000**



**21.5 x 16.1 IMPLEMENT TIRE  
326-02-00-000 - 10 PLY  
340-54-00-000 - 14 PLY**



**700/50-26.5 16-PLY ALLIANCE TIRE  
359-80-00-000**



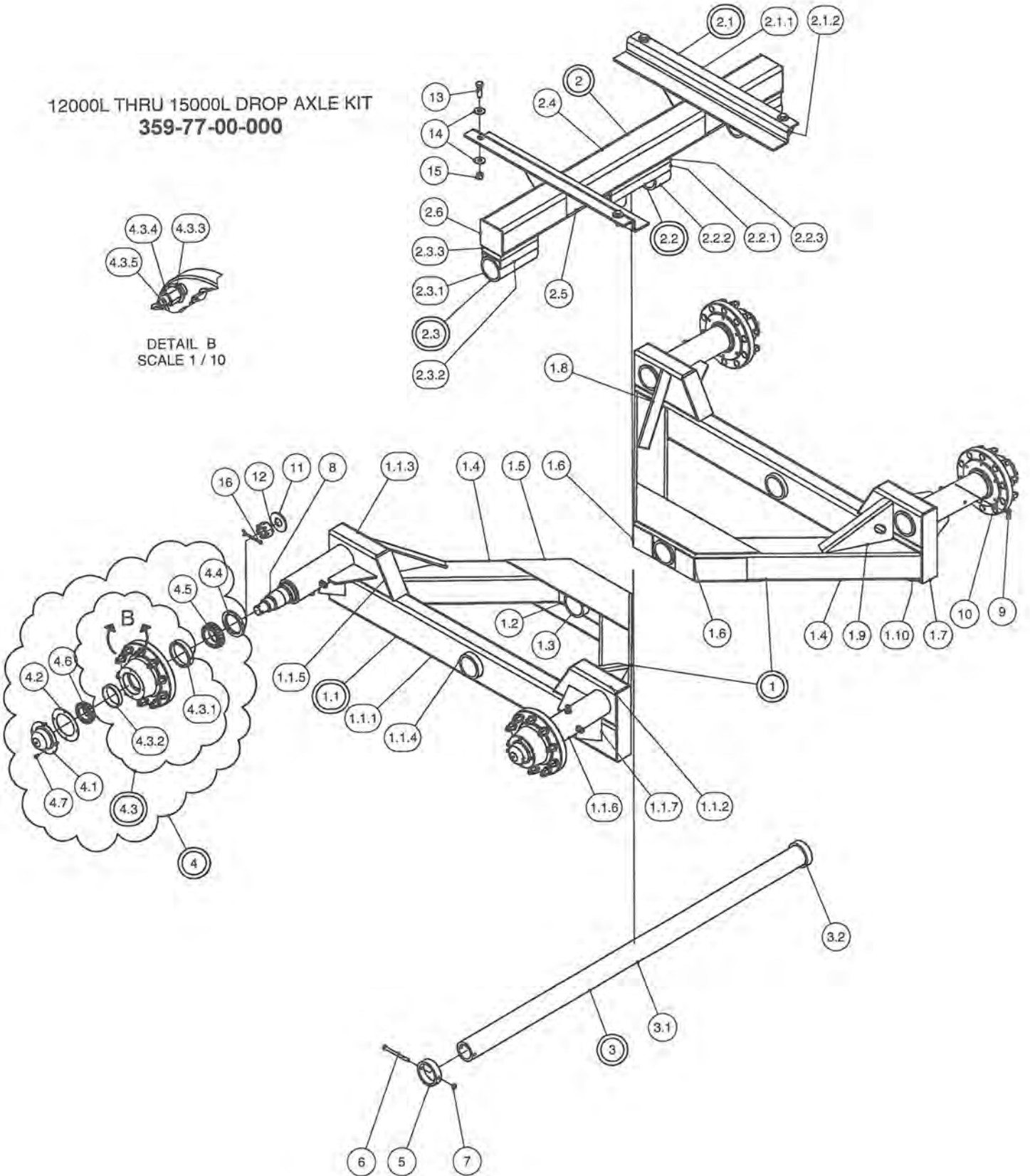
**18 x 22.5 USED TRUCK TIRE  
340-19-00-000**

# 12000L THRU 15000L DROP AXLE KIT

12000L THRU 15000L DROP AXLE KIT  
359-77-00-000



DETAIL B  
SCALE 1 / 10



## 12000L THRU 15000L DROP AXLE KIT

| PARTS LIST |               |                                  |     | PARTS LIST |               |                               |     |
|------------|---------------|----------------------------------|-----|------------|---------------|-------------------------------|-----|
| ITEM       | PART NUMBER   | DESCRIPTION                      | QTY | ITEM       | PART NUMBER   | DESCRIPTION                   | QTY |
| 1          | 359-77-02-000 | TANDEM SIDE ASSY                 | 2   | 2.5        | 315-31-00-116 | DOUBLE GUSSET                 | 4   |
| 1.1        | 359-77-01-000 | WALKING BEAM ASSY                | 1   | 2.6        | 325-62-00-238 | COVER PLATE                   | 2   |
| 1.1.1      | 330-03-42-505 | WALKING BEAM (28L x 26 TIRES)    | 1   | 3          | 330-09-00-000 | MAIN AXLE TUBE ASSY           | 1   |
| 1.1.2      | 364-70-01-390 | SPINDLE SLEEVE HOLDER            | 1   | 3.1        | 330-09-00-529 | MAIN AXLE TUBE                | 1   |
| 1.1.3      | 364-70-01-391 | SPINDLE SLEEVE HOLDER            | 1   | 3.2        | 330-08-00-528 | STOP RING                     | 1   |
| 1.1.4      | 315-33-00-127 | OUTER ROCKER SLEEVE              | 1   | 4          | 340-43-00-000 | 16000LB HUB COMPLETE          | 4   |
| 1.1.5      | 330-03-42-512 | ANGLED END CAP                   | 2   | 4.1        | R20093        | 16000LB DUST CAP w/ FTG.      | 1   |
| 1.1.6      | 364-70-01-392 | SPINDLE SLEEVE                   | 2   | 4.2        | R20084        | DUST CAP GASKET. 10 BOLT      | 1   |
| 1.1.7      | 330-91-36-486 | SPINDLE GUSSET                   | 4   | 4.3        | 340-43-00-451 | 16000LB HUB w/ CUPS           | 1   |
| 1.2        | 359-77-02-510 | MIDDLE CONNECTOR TUBE            | 1   | 4.3.1      | R20088        | 47620 INNER CUP               | 1   |
| 1.3        | 358-83-01-235 | WALKER SLEEVE                    | 1   | 4.3.2      | R20089        | 39520 OUTER CUP               | 1   |
| 1.4        | 359-77-02-512 | TANDEM SIDE ARM                  | 2   | 4.3.3      | R20152        | 3/4" SPHERICAL WASHER         | 10  |
| 1.5        | 359-77-02-513 | REINFORCING PLATE                | 2   | 4.3.4      | R07820        | 3/4" FED. HIGH HEX NUT        | 10  |
| 1.6        | 359-77-02-514 | TIE PLATE                        | 2   | 4.3.5      | R20096        | 3/4" WHEEL BOLTS              | 10  |
| 1.7        | 359-77-02-511 | END CAP                          | 2   | 4.4        | R20083        | CR-38730 HUB SEAL             | 1   |
| 1.8        | 359-77-02-515 | SIDE ARM GUSSET-REAR             | 1   | 4.5        | R20086        | 476871 3 1/4" INNER CONE      | 1   |
| 1.9        | 359-77-02-516 | SIDE ARM GUSSET-FRONT            | 1   | 4.6        | R20087        | 39585 2 1/2" OUTER CONE       | 1   |
| 1.10       | 359-77-02-517 | BOTTOM GUSSET                    | 2   | 4.7        | R07690        | 5/16 x 5/8 UNC HEX BOLT       | 4   |
| 2          | 359-77-03-000 | BASE FRAME ASSY - 28L x 26 TIRES | 1   | 5          | 315-00-00-137 | RETAINING RING                | 1   |
| 2.1        | 330-69-01-000 | SILL "Z" PLATE ASSY              | 2   | 6          | R07645        | 1/2 X 6 HEX BOLT              | 1   |
| 2.1.1      | 358-85-00-253 | SILL "Z" PLATE                   | 1   | 7          | R07785        | 1/2 HEX NUT                   | 1   |
| 2.1.2      | 330-69-00-550 | GUSSET                           | 2   | 8          | 340-00-00-347 | 16000 SPINDLE                 | 4   |
| 2.2        | 359-77-05-000 | CENTER SLEEVE ASSY               | 1   | 9          | R07927        | 5/8 x 1 1/2 SQ. HD. SET SCREW | 8   |
| 2.2.1      | 330-69-22-263 | CENTER CHANNEL SPACER            | 1   | 10         | R07786        | 5/8 HEX NUT                   | 8   |
| 2.2.2      | 330-69-22-264 | CENTRE SLEEVE                    | 2   | 11         | 340-00-00-556 | 1 13/16 SPINDLE WASHER        | 4   |
| 2.2.3      | 359-77-05-519 | CENTER SPACER PAD                | 1   | 12         | R20092        | 1 3/4 - 12 UNF SPINDLE NUT    | 4   |
| 2.3        | 359-77-04-000 | OUTER SLEEVE ASSY                | 2   | 13         | R07655        | 3/4 x 2 1/2 HEX BOLT          | 4   |
| 2.3.1      | 315-35-00-130 | STATIONARY SLEEVE                | 1   | 14         | R07827        | 3/4" FLAT WASHER              | 8   |
| 2.3.2      | 325-62-18-240 | LONG CHANNEL SPACER              | 1   | 15         | R07878        | 3/4 NYLOCK NUT                | 4   |
| 2.3.3      | 359-77-04-518 | OUTER SPACER BAR                 | 1   | 16         | R20095        | 5/16" x 4" COTTER PIN         | 4   |
| 2.4        | 330-03-41-504 | CROSS AXLE TUBE (28L x 26 TIRES) | 1   |            |               |                               |     |

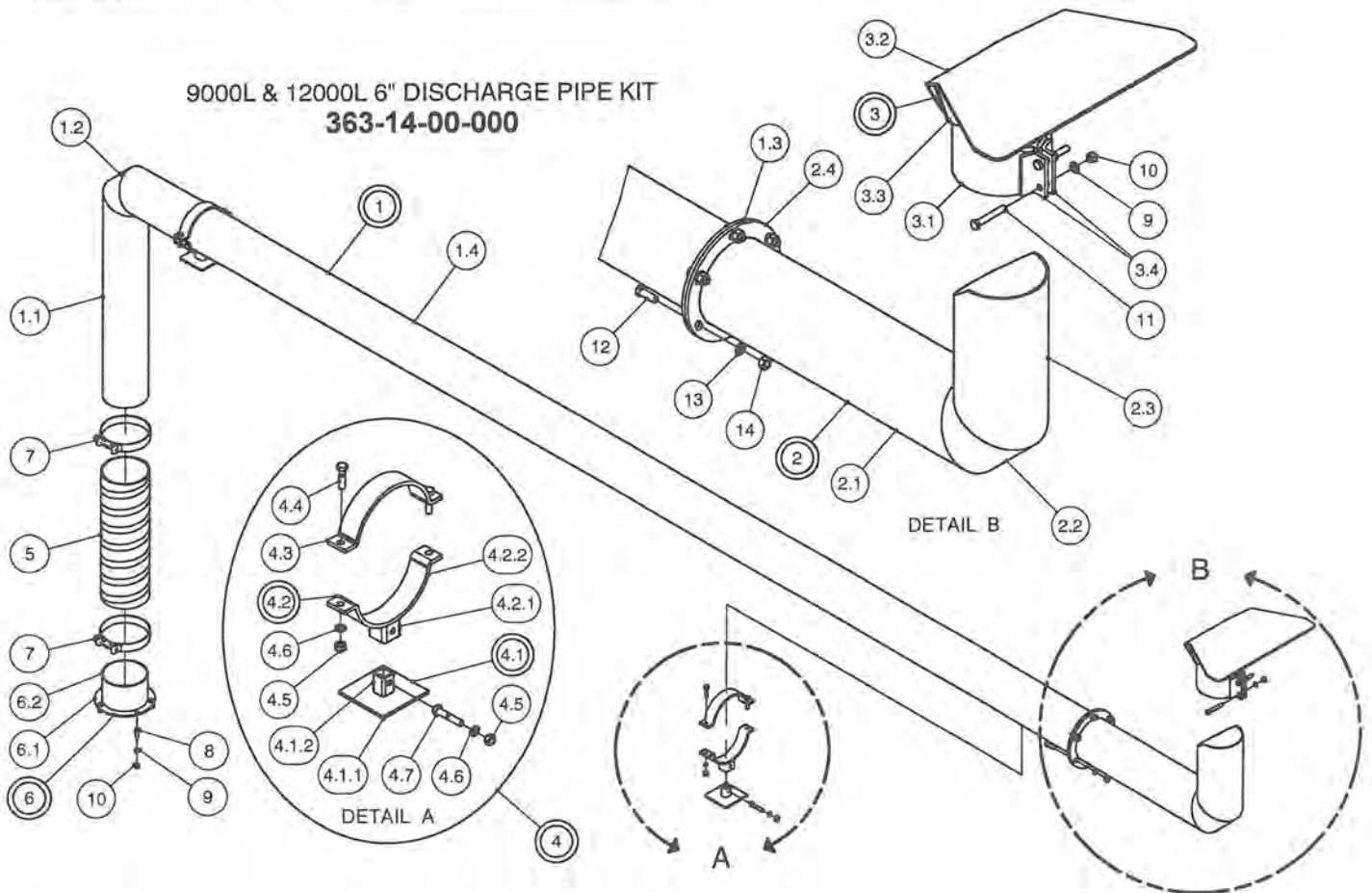


## 12000L THRU 15000L STRAIGHT AXLE KIT

| PARTS LIST |               |                                     |     | PARTS LIST |               |                            |     |
|------------|---------------|-------------------------------------|-----|------------|---------------|----------------------------|-----|
| ITEM       | PART NUMBER   | DESCRIPTION                         | QTY | ITEM       | PART NUMBER   | DESCRIPTION                | QTY |
| 1          | 330-91-44-000 | TANDEM SIDE ASSY                    | 2   | 3          | 330-08-00-000 | MAIN AXLE TUBE ASSY        | 1   |
| 1.1        | 330-91-36-000 | WALKING BEAM ASSY w/ WELDED SPINDLE | 1   | 3.1        | 330-08-00-527 | MAIN AXLE TUBE             | 1   |
|            |               |                                     |     | 3.2        | 330-08-00-528 | STOP RING                  | 1   |
| 1.1.1      | 325-63-00-245 | WALKING BEAM                        | 1   | 4          | 340-43-00-000 | 16000LB HUB COMPLETE       | 4   |
| 1.1.2      | 330-91-36-485 | 16000LB WELD IN SPINDLE             | 2   | 4.1        | R20093        | 16000LB DUST CAP w/ FTG.   | 1   |
| 1.1.3      | 330-91-36-486 | SPINDLE GUSSET                      | 2   | 4.2        | R20084        | DUST CAP GASKET. 10 BOLT   | 1   |
| 1.1.4      | 315-33-00-127 | OUTER ROCKER SLEEVE                 | 1   | 4.3        | 340-43-00-451 | 16000LB HUB w/ CUPS        | 1   |
| 1.2        | 330-91-44-526 | GUSSET                              | 4   | 4.3.1      | R20088        | 47620 INNER CUP            | 1   |
| 1.3        | 325-63-00-246 | TANDEM SIDE ARM                     | 2   | 4.3.2      | R20089        | 39520 OUTER CUP            | 1   |
| 1.4        | 325-63-00-244 | TANDEM GUSSET                       | 2   | 4.3.3      | R20152        | 3/4" SPHERICAL WASHER      | 10  |
| 1.5        | 325-63-00-247 | INSIDE ROCKER SLEEVE                | 1   | 4.3.4      | R07820        | 3/4" FED. HIGH HEX NUT     | 10  |
| 2          | 330-69-00-000 | BASE FRAME ASSY - 21.5 & 22.5 TIRES | 1   | 4.3.5      | R20096        | 3/4" WHEEL BOLTS           | 10  |
| 2.1        | 330-69-01-000 | SILL "Z" PLATE ASSY                 | 2   | 4.4        | R20083        | CR-38730 HUB SEAL          | 1   |
| 2.1.1      | 358-85-00-253 | SILL "Z" PLATE                      | 1   | 4.5        | R20086        | 476871 3 1/4" INNER CONE   | 1   |
| 2.1.2      | 330-69-00-550 | GUSSET                              | 2   | 4.6        | R20087        | 39585 2 1/2" OUTER CONE    | 1   |
| 2.2        | 330-69-22-000 | CENTER SLEEVE ASSY                  | 1   | 4.7        | R07690        | 5/16 x 5/8 UNC HEX BOLT    | 4   |
| 2.2.1      | 330-69-22-262 | CENTRE SLEEVE SPACER                | 1   | 5          | 315-00-00-137 | RETAINING RING             | 1   |
| 2.2.2      | 330-69-22-263 | CENTER CHANNEL SPACER               | 1   | 6          | R07645        | 1/2 X 6 HEX BOLT           | 1   |
| 2.2.3      | 330-69-22-264 | CENTRE SLEEVE                       | 2   | 7          | R07805        | 1/2 LOCK WASHER            | 1   |
| 2.3        | 325-62-18-000 | STATIONARY SLEEVE ASSY              | 2   | 8          | R07785        | 1/2 HEX NUT                | 1   |
| 2.3.1      | 315-35-00-130 | STATIONARY SLEEVE                   | 1   | 9          | 340-00-00-556 | 1 13/16 SPINDLE WASHER     | 4   |
| 2.3.2      | 325-62-18-240 | LONG CHANNEL SPACER                 | 1   | 10         | R20092        | 1 3/4 - 12 UNF SPINDLE NUT | 4   |
| 2.3.3      | 325-62-18-239 | LONG BAR SPACER                     | 1   | 11         | R07655        | 3/4 x 2 1/2 HEX BOLT       | 4   |
| 2.4        | 330-69-00-261 | CROSS AXLE SUPPORT                  | 1   | 12         | R07827        | 3/4" FLAT WASHER           | 8   |
| 2.5        | 325-62-00-238 | COVER PLATE                         | 2   | 13         | R07878        | 3/4 NYLOCK NUT             | 4   |
| 2.6        | 315-31-00-116 | DOUBLE GUSSET                       | 4   | 14         | R20095        | 5/16" x 4" COTTER PIN      | 4   |

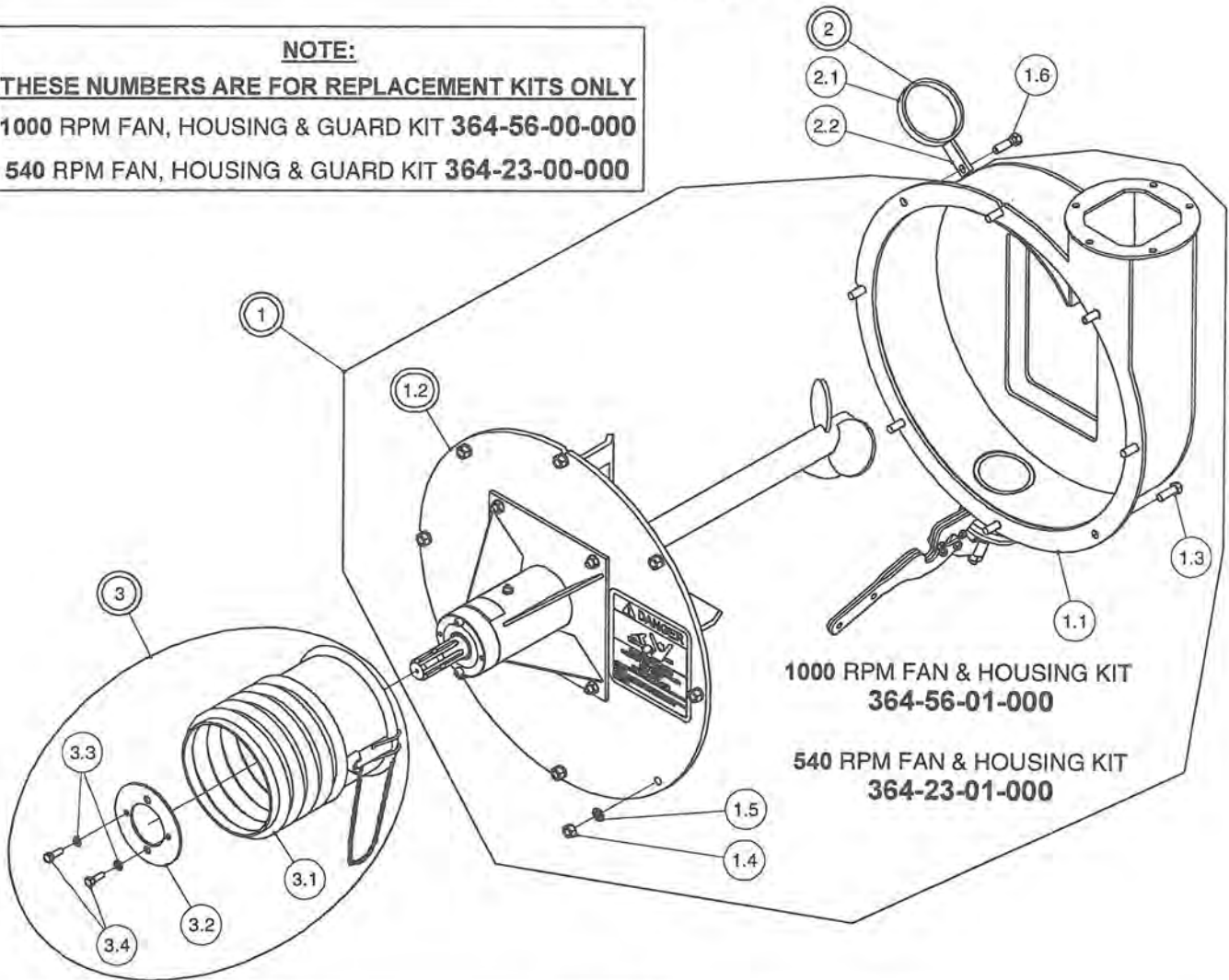
## 9000L & 12000L 6" DISCHARGE PIPE KIT

| PARTS LIST |               |                                 |     | PARTS LIST |               |                           |     |
|------------|---------------|---------------------------------|-----|------------|---------------|---------------------------|-----|
| ITEM       | PART NUMBER   | DESCRIPTION                     | QTY | ITEM       | PART NUMBER   | DESCRIPTION               | QTY |
| 1          | 362-59-00-000 | DISCHARGE PIPE ASSY             | 1   | 4.2.1      | 357-16-02-137 | UPPER STUB                | 1   |
| 1.1        | 362-20-00-184 | VERTICAL DISCHARGE TUBE         | 1   | 4.2.2      | 357-16-00-133 | TOP PIPE HOLDER - 6"      | 1   |
| 1.2        | 364-19-00-082 | DISCHARGE PIPE CORNER PC        | 1   | 4.3        | 357-16-00-133 | TOP PIPE HOLDER - 6"      | 1   |
| 1.3        | 364-19-00-087 | DISCHARGE PIPE FLANGE           | 1   | 4.4        | R07620        | 3/8 x 1 1/2 HEX BOLT      | 2   |
| 1.4        | 364-19-00-065 | HORIZONTAL DISCHARGE PIPE       | 1   | 4.5        | R07783        | 3/8 HEX NUT               | 3   |
| 2          | 364-25-00-000 | DISCHARGE PIPE END SECTION ASSY | 1   | 4.6        | R07803        | 3/8 LOCK WASHER           | 3   |
| 2.1        | 364-25-00-088 | DISCHARGE PIPE FLANGE PC        | 1   | 4.7        | R07621        | 3/8 x 2" HEX BOLT         | 1   |
| 2.2        | 364-19-00-082 | DISCHARGE PIPE CORNER PC        | 1   | 5          | 364-00-00-066 | HOSE SECTION              | 1   |
| 2.3        | 364-25-00-067 | DISCHARGE PIPE END PC           | 1   | 6          | 364-31-00-000 | HOSE TUBE ASSY - 6"       | 1   |
| 2.4        | 364-19-00-087 | DISCHARGE PIPE FLANGE           | 1   | 6.1        | 364-01-03-376 | DISCHARGE RING            | 1   |
| 3          | 364-68-00-000 | SPLASH PLATE ASSY               | 1   | 6.2        | 364-01-03-063 | DISCHARGE TUBE            | 1   |
| 3.1        | 364-68-00-215 | CLAMPING TUBE                   | 1   | 7          | R02482        | 6" HOSE CLAMP             | 2   |
| 3.2        | 364-21-00-069 | SPLASH PLATE                    | 1   | 8          | R07619        | 3/8 x 1 UNC HEX BOLT      | 5   |
| 3.3        | 364-21-00-224 | SPLASH PLATE WING               | 2   | 9          | R07803        | 3/8" LOCK WASHER          | 7   |
| 3.4        | 364-21-00-071 | CLAMPING TUBE BRKT              | 2   | 10         | R07783        | 3/8-16 UNC HEX NUT        | 7   |
| 4          | 357-16-00-000 | 6" DISCHARGE PIPE HOLDER KIT    | 2   | 11         | R07622        | 3/8 x 2 1/2 UNC HEX BOLT  | 2   |
| 4.1        | 357-16-01-000 | DISCHARGE PIPE BASE HOLDER ASSY | 1   | 12         | R07671        | 7/16 x 1 1/4 UNC HEX BOLT | 6   |
| 4.1.1      | 357-16-01-130 | BASE PLATE                      | 1   | 13         | R07804        | 7/16" LOCK WASHER         | 6   |
| 4.1.2      | 357-16-01-131 | LOWER STUB                      | 1   | 14         | R07784        | 7/16-14 UNC HEX NUT       | 6   |
| 4.2        | 357-16-02-000 | PIPE HOLDER ASSY                | 1   |            |               |                           |     |



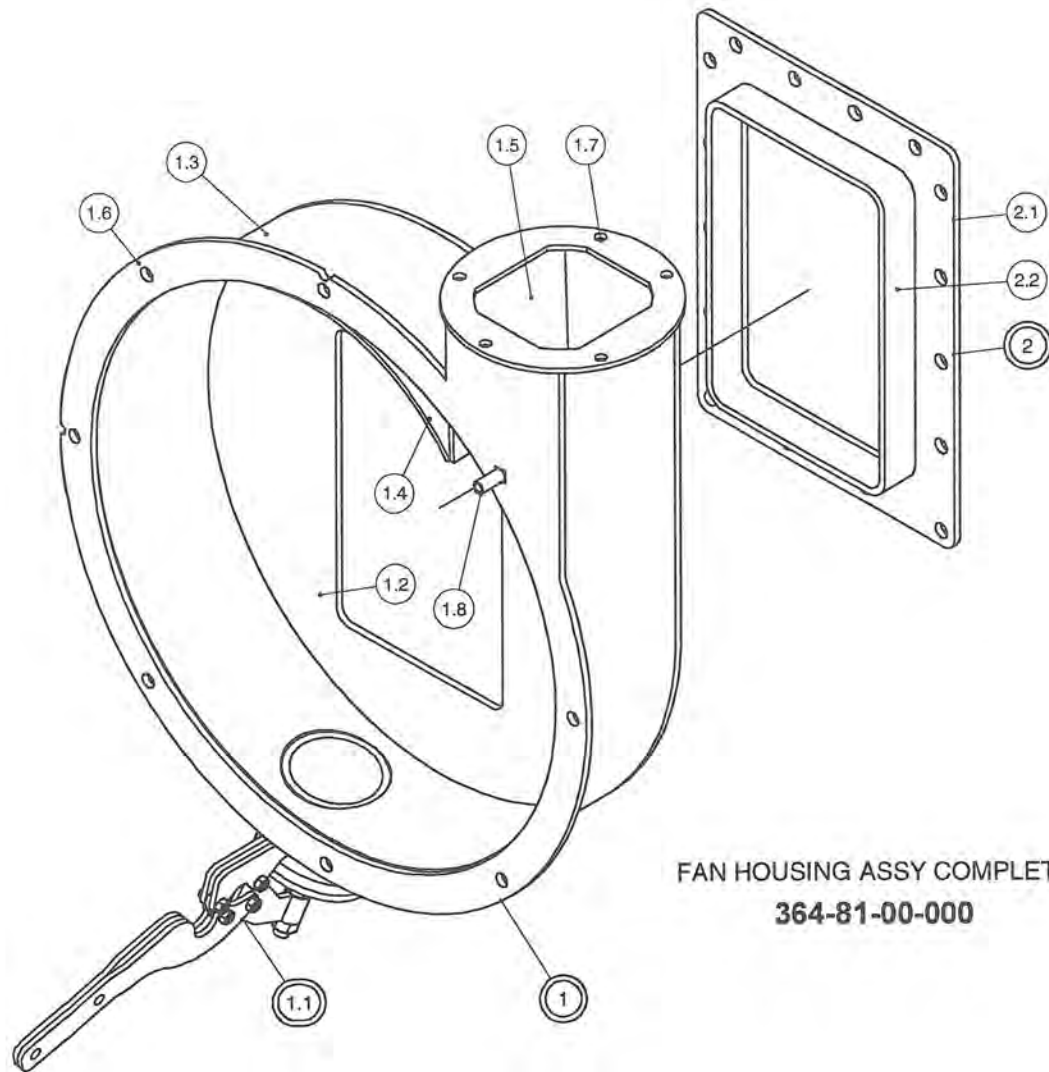
## FAN & HOUSING KIT

**NOTE:**  
**THESE NUMBERS ARE FOR REPLACEMENT KITS ONLY**  
**1000 RPM FAN, HOUSING & GUARD KIT 364-56-00-000**  
**540 RPM FAN, HOUSING & GUARD KIT 364-23-00-000**



| PARTS LIST |               |                            |     |
|------------|---------------|----------------------------|-----|
| ITEM       | PART NUMBER   | DESCRIPTION                | QTY |
| 1          | 364-56-01-000 | 1000 FAN & HOUSING KIT     | 1   |
| 1          | 364-23-01-000 | 540 FAN & HOUSING KIT      | 1   |
| 1.1        | 364-81-00-000 | FAN HOUSING ASSY COMPLETE  | 1   |
| 1.2        | 364-66-01-000 | 1000 RPM FAN & COVER PLATE | 1   |
| 1.2        | 364-65-01-000 | 540 RPM FAN & COVER PLATE  | 1   |
| 1.3        | R07671        | 7/16 x 1 1/4 HEX BOLT      | 6   |
| 1.4        | R07784        | 7/16 HEX NUT               | 8   |
| 1.5        | R07804        | 7/16 LOCK WASHER           | 8   |
| 1.6        | R07629        | 7/16 x 1 1/2 HEX BOLT      | 1   |
| 2          | 364-41-00-000 | PTO HOLDER ASSY            | 1   |
| 2.1        | 364-41-00-132 | PTO HOLDER                 | 1   |
| 2.2        | 364-41-00-133 | PTO HOLDER BRACKET         | 1   |
| 3          | 364-69-00-000 | PLASTIC PTO GUARD KIT      | 1   |
| 3.1        | R22196        | SHEILD CONE ASSY           | 1   |
| 3.2        | 364-00-00-448 | GUARD SUPPORT              | 1   |
| 3.3        | R07802        | 5/16 LOCK WASHER           | 2   |
| 3.4        | R07611        | 5/16 x 1" HEX BOLT         | 2   |

## FAN HOUSING ASSY



**FAN HOUSING ASSY COMPLETE**  
**364-81-00-000**

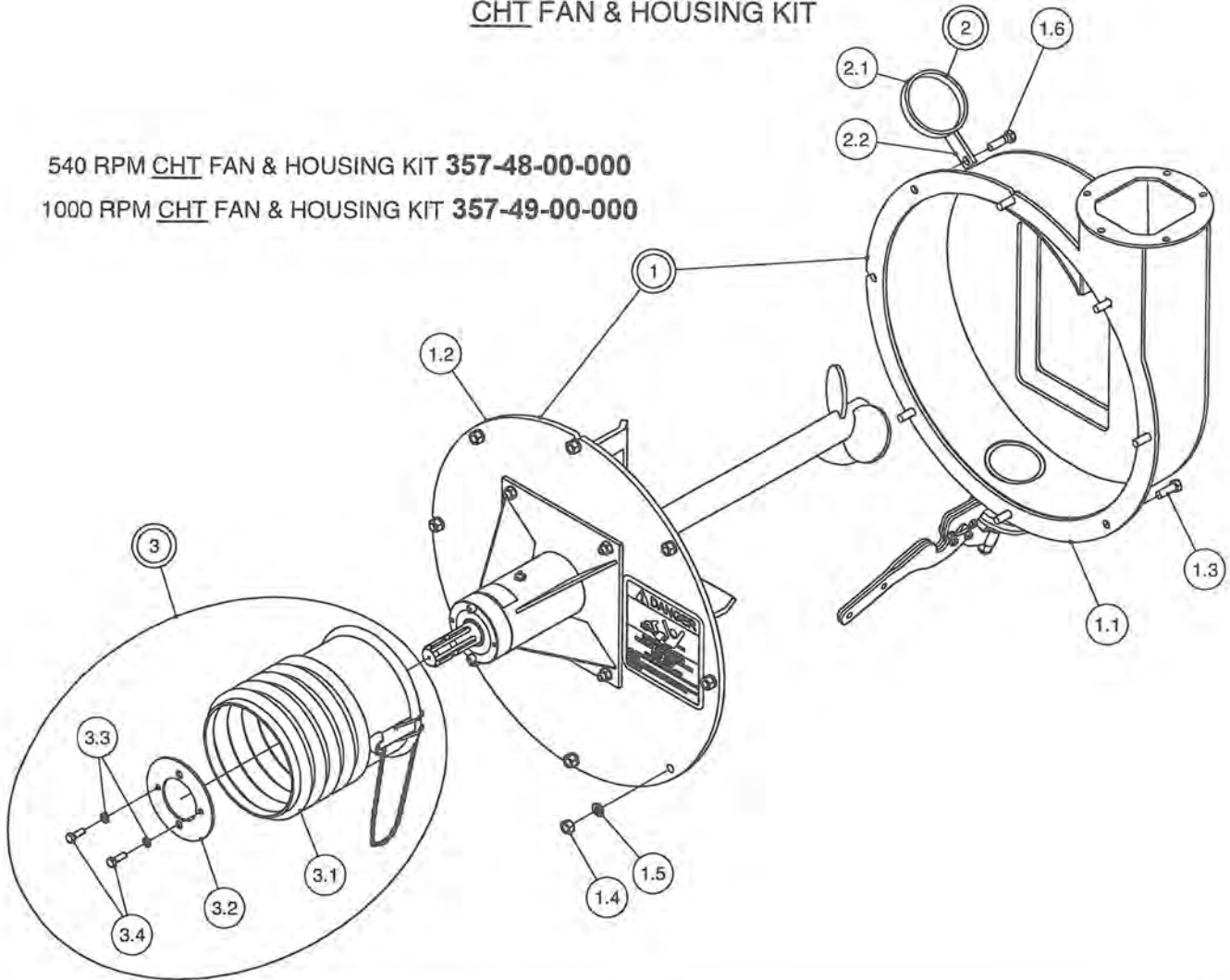
| PARTS LIST |               |                                  |     |
|------------|---------------|----------------------------------|-----|
| ITEM       | PART NUMBER   | DESCRIPTION                      | QTY |
| 1          | 364-81-01-000 | FAN HOUSING ASSY LESS FLANGE     | 1   |
| 1.1        | 364-62-00-000 | DRAIN PLUG KIT                   | 1   |
| 1.2        | 364-01-03-106 | HOUSING BACK PLATE               | 1   |
| 1.3        | 364-01-03-018 | HOUSING BAND                     | 1   |
| 1.4        | 364-01-03-156 | HOUSING BAND AID                 | 1   |
| 1.5        | 364-01-03-081 | FAN HOUSING VERTICAL PC          | 1   |
| 1.6        | 364-01-03-019 | HOUSING FLANGE                   | 1   |
| 1.7        | 364-01-03-376 | DISCHARGE RING                   | 1   |
| 1.8        | R07774        | 7/16 x 1 1/4" GR 5 CARRIAGE BOLT | 1   |
| 2          | 364-81-02-000 | HOUSING INLET FLANGE ASSY        | 1   |
| 2.1        | 364-81-02-393 | HOUSING FLANGE                   | 1   |
| 2.2        | 364-81-02-424 | INLET EXTENSION TUBE             | 1   |



## CHT FAN & HOUSING KIT

540 RPM CHT FAN & HOUSING KIT **357-48-00-000**

1000 RPM CHT FAN & HOUSING KIT **357-49-00-000**

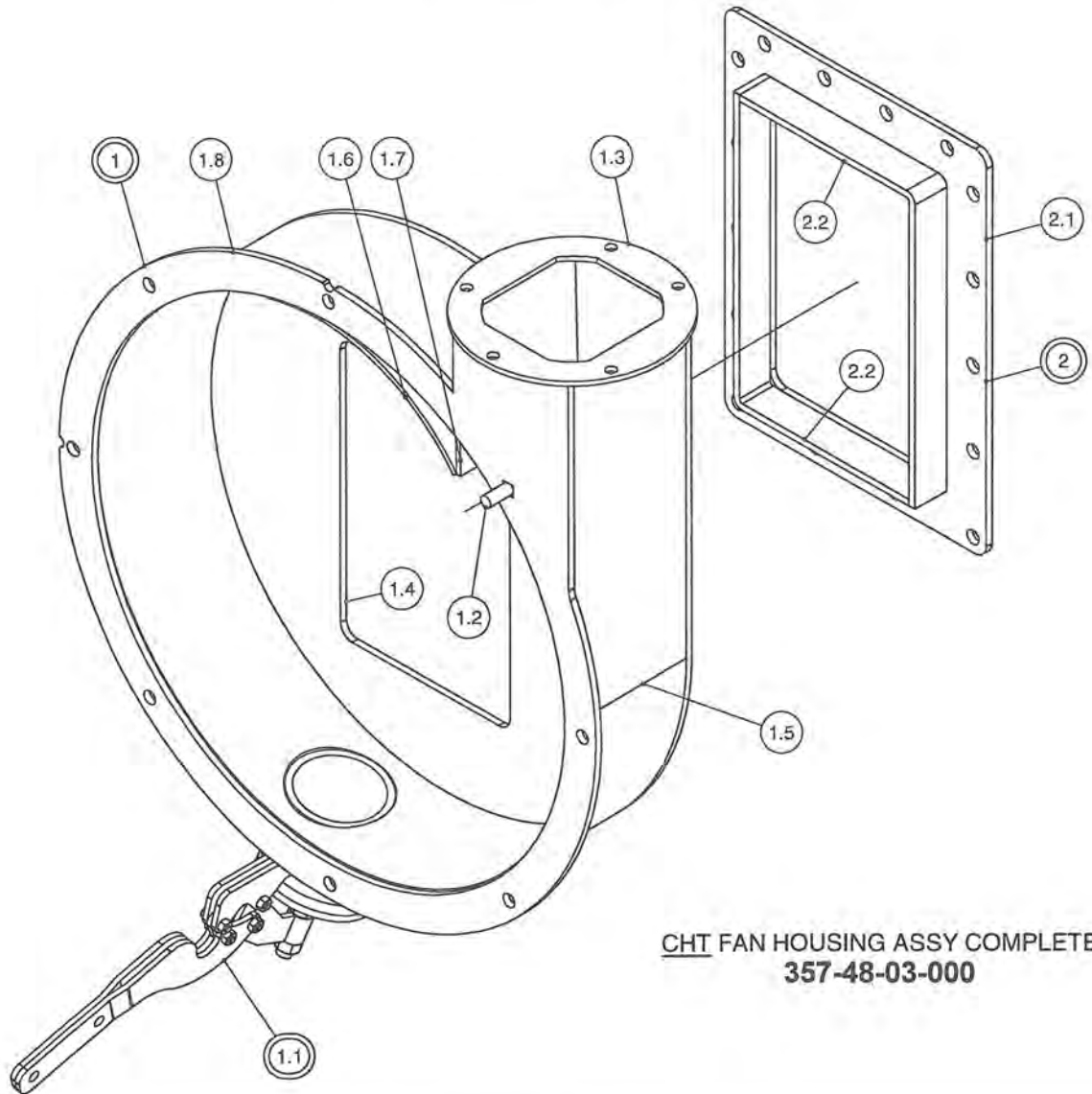


### PARTS LIST

| ITEM | PART NUMBER   | DESCRIPTION                    | QTY |
|------|---------------|--------------------------------|-----|
| 1    | 357-49-03-000 | CHT 1000 RPM FAN & HOUSING KIT | OPT |
| 1    | 357-48-06-000 | CHT 540 FAN & HOUSING KIT      | 1   |
| 1.1  | 357-48-03-000 | CHT FAN HOUSING ASSY COMPLETE  | 1   |
| 1.2  | 364-66-01-000 | 1000 RPM FAN & COVER PALTE     | OPT |
| 1.2  | 364-65-01-000 | 540 RPM FAN & COVER PLATE      | 1   |
| 1.3  | R07671        | 7/16 x 1 1/4 HEX BOLT          | 6   |
| 1.4  | R07784        | 7/16 HEX NUT                   | 8   |
| 1.5  | R07804        | 7/16 LOCK WASHER               | 8   |
| 1.6  | R07629        | 7/16 x 1 1/2 HEX BOLT          | 1   |
| 2    | 364-41-00-000 | PTO HOLDER ASSY                | 1   |
| 2.1  | 364-41-00-132 | PTO HOLDER                     | 1   |
| 2.2  | 364-41-00-133 | PTO HOLDER BRACKET             | 1   |
| 3    | 364-69-00-000 | PLASTIC PTO GUARD KIT          | 1   |
| 3.1  | R22196        | SHEILD CONE ASSY               | 1   |
| 3.2  | 364-00-00-448 | GUARD SUPPORT                  | 1   |
| 3.3  | R07802        | 5/16 LOCK WASHER               | 2   |
| 3.4  | R07611        | 5/16 x 1" HEX BOLT             | 2   |

OPT = OPTIONAL

## CHT FAN HOUSING ASSY

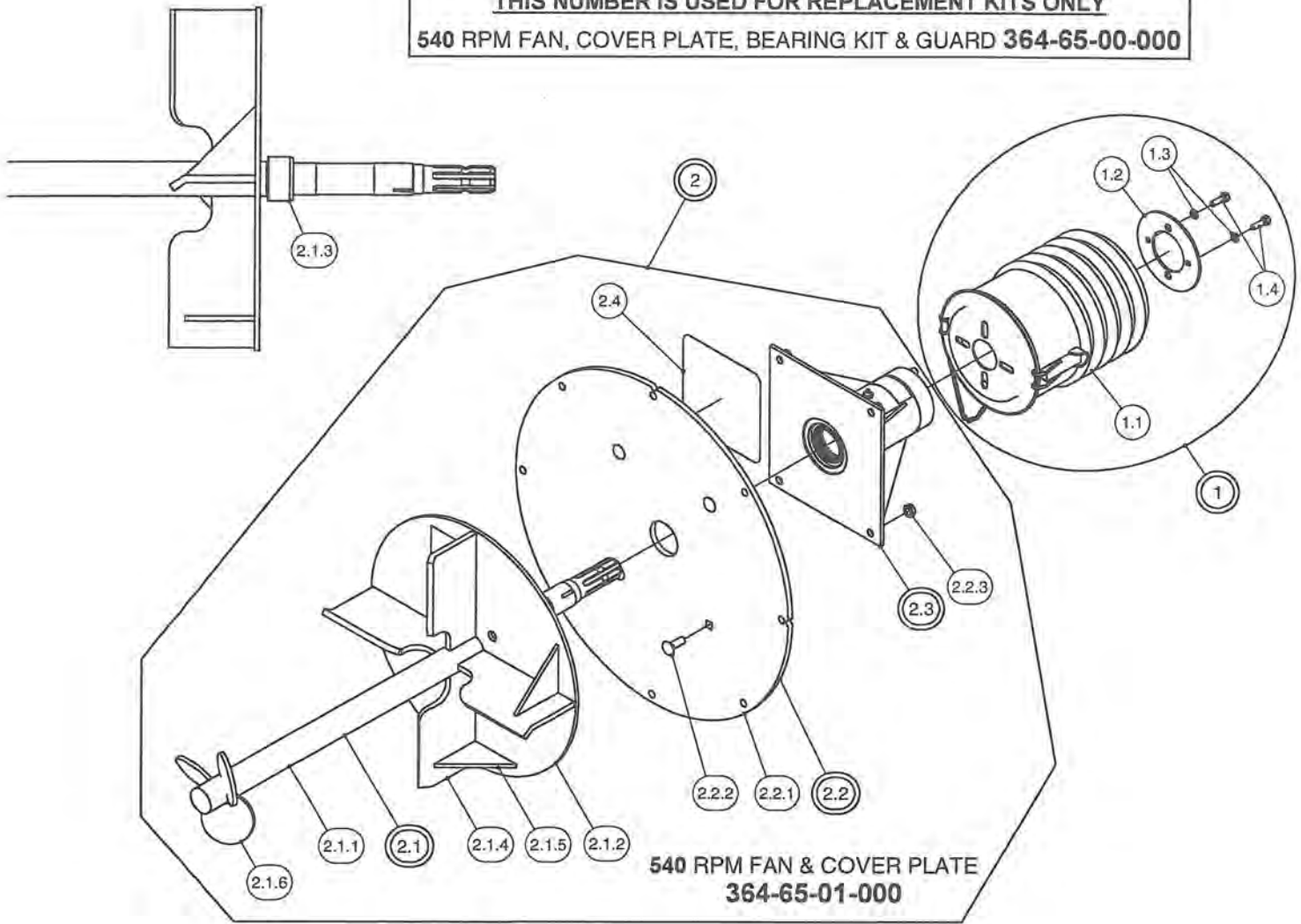


**CHT FAN HOUSING ASSY COMPLETE**  
**357-48-03-000**

| PARTS LIST |               |                                  |     |
|------------|---------------|----------------------------------|-----|
| ITEM       | PART NUMBER   | DESCRIPTION                      | QTY |
| 1          | 357-48-01-000 | CHT FAN HOUSING ASSY LESS FLANGE | 1   |
| 1.1        | 364-62-00-000 | DRAIN PLUG KIT                   | 1   |
| 1.2        | R07732        | 7/16 x 1 1/4 CARRIAGE BOLT       | 1   |
| 1.3        | 364-01-03-376 | DISCHARGE RING                   | 1   |
| 1.4        | 357-48-01-228 | CHT HOUSING BACK PLATE           | 1   |
| 1.5        | 357-48-01-232 | CHT HOUSING BAND                 | 1   |
| 1.6        | 357-48-01-231 | CHT HOUSING BAND AID             | 1   |
| 1.7        | 357-48-01-230 | CHT FAN HOUSING VERTICAL PC      | 1   |
| 1.8        | 357-48-01-229 | CHT HOUSING FLANGE               | 1   |
| 2          | 357-48-02-000 | CHT HOUSING INLET FLANGE ASSY    | 1   |
| 2.1        | 364-81-02-393 | HOUSING FLANGE                   | 1   |
| 2.2        | 357-48-02-233 | CHT INLET EXTENSION              | 2   |

## 540 RPM FAN, COVER PLATE, & BRG KIT

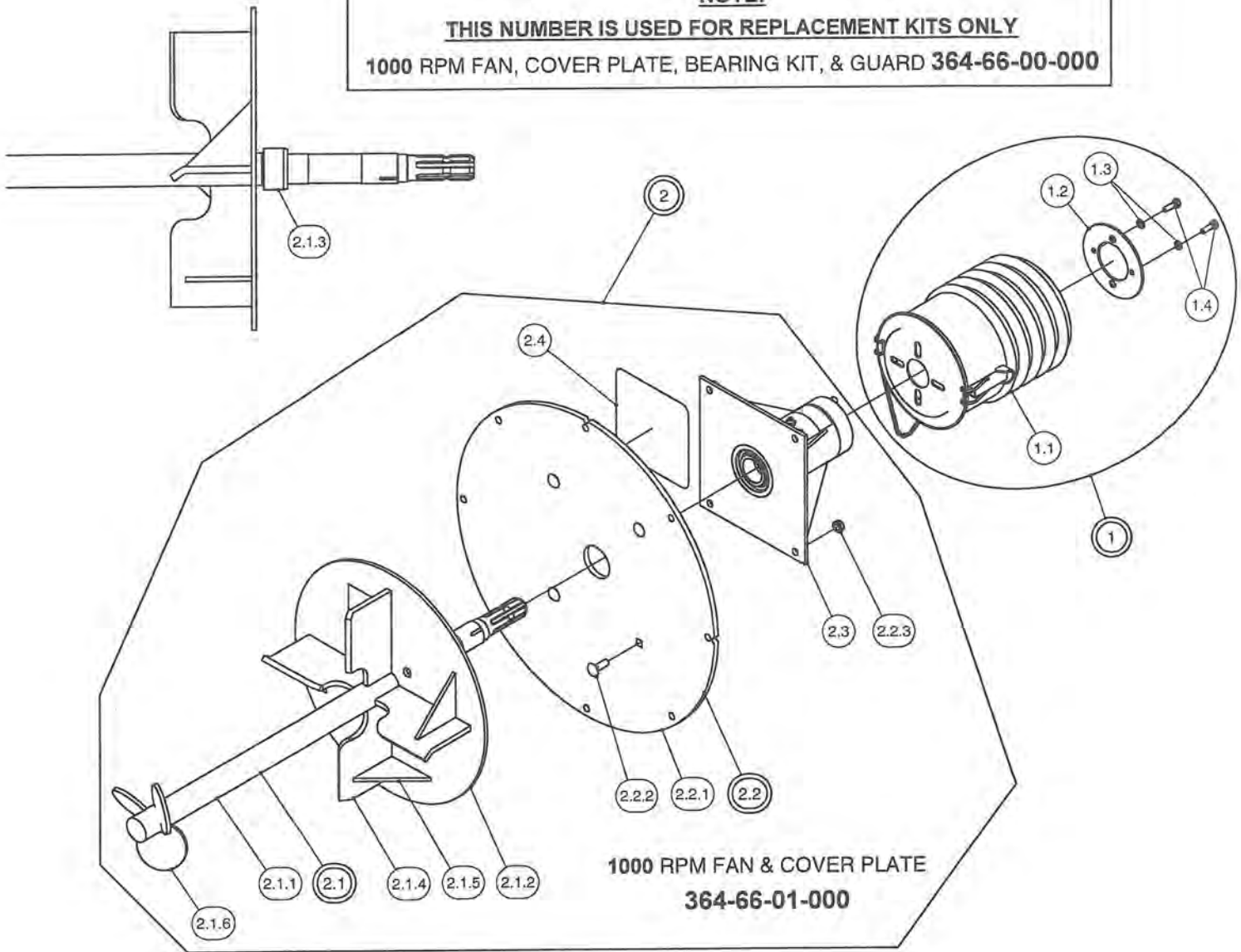
**NOTE:**  
**THIS NUMBER IS USED FOR REPLACEMENT KITS ONLY**  
**540 RPM FAN, COVER PLATE, BEARING KIT & GUARD 364-65-00-000**



| PARTS LIST |               |                                 |     | PARTS LIST |               |                                  |     |
|------------|---------------|---------------------------------|-----|------------|---------------|----------------------------------|-----|
| ITEM       | PART NUMBER   | DESCRIPTION                     | QTY | ITEM       | PART NUMBER   | DESCRIPTION                      | QTY |
| 1          | 364-69-00-000 | PLASTIC PTO GUARD KIT           | 1   | 2.1.4      | 364-63-00-208 | CHT 540 RPM FAN BLADE            | 4   |
| 1.1        | R22196        | SHEILD CONE ASSY                | 1   | 2.1.5      | 364-72-00-422 | FAN BLADE GUSSET                 | 4   |
| 1.2        | 364-00-00-448 | GUARD SUPPORT                   | 1   | 2.1.6      | 364-72-00-227 | AGITATOR BLADE                   | 3   |
| 1.3        | R07802        | 5/16 LOCK WASHER                | 2   | 2.2        | 364-67-00-000 | COVER PLATE ASSY                 | 1   |
| 1.4        | R07611        | 5/16 x 1" HEX BOLT              | 2   | 2.2.1      | 364-67-00-211 | HOUSING COVER PLATE              | 1   |
| 2          | 364-65-01-000 | 540 RPM FAN & COVER PLATE       | 1   | 2.2.2      | R07774        | 7/16 x 1 1/4" GR 5 CARRIAGE BOLT | 4   |
| 2.1        | 364-72-00-000 | 540 RPM SHAFT & IMP. ASSY - CHT | 1   | 2.2.3      | R07879        | 7/16 FLANGE NUT                  | 4   |
| 2.1.1      | 364-72-00-226 | FAN SHAFT                       | 1   | 2.3        | 357-59-00-000 | BEARINGS & HOLDER KIT 2002       | 1   |
| 2.1.2      | 364-63-00-209 | FAN BACK PLATE                  | 1   | 2.4        | R09785        | "DANGER ROTATING DRIVELINE"      | 1   |
| 2.1.3      | R20238        | HARDENED SEAL SLEEVE            | 1   |            |               | DECAL                            |     |

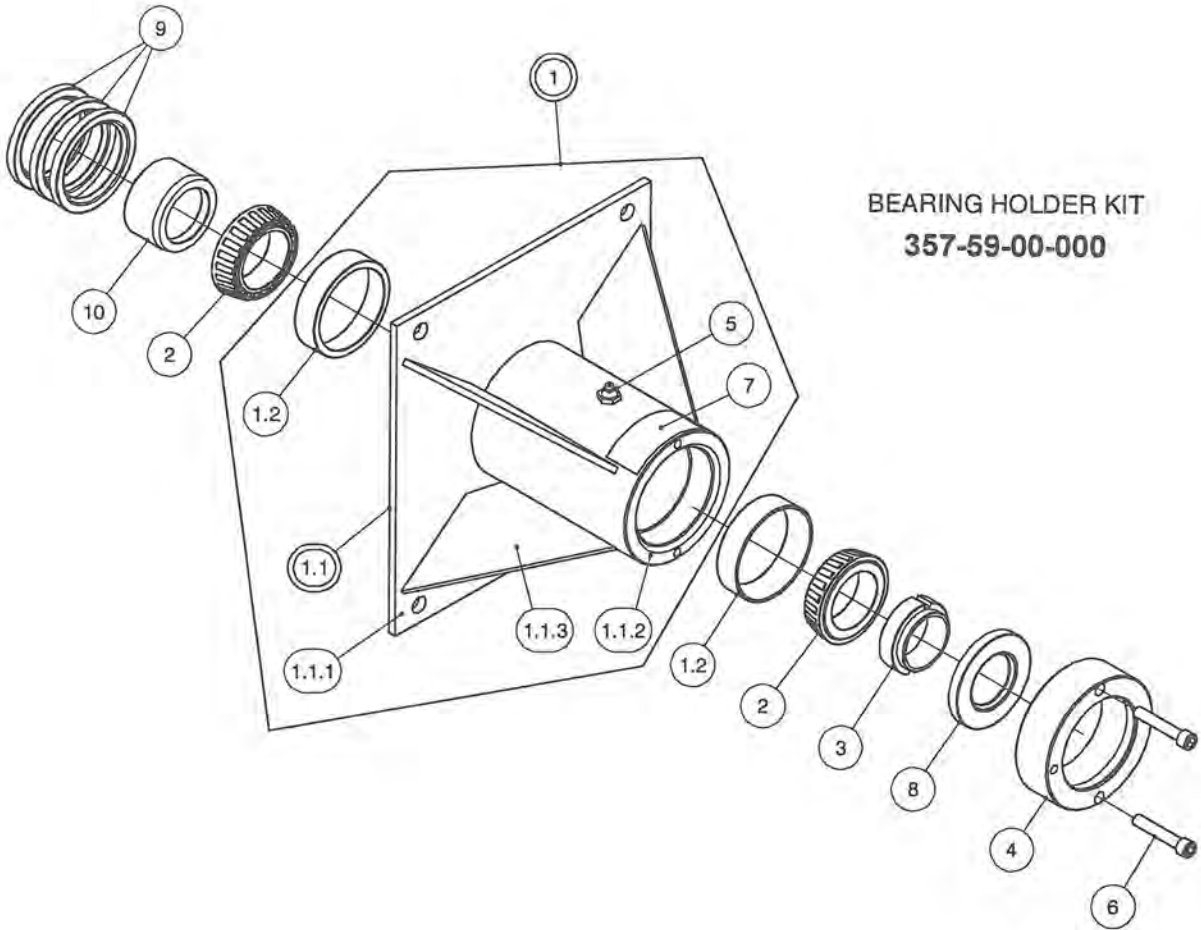
# 1000 RPM FAN, COVER PLATE & BRG KIT

**NOTE:**  
**THIS NUMBER IS USED FOR REPLACEMENT KITS ONLY**  
**1000 RPM FAN, COVER PLATE, BEARING KIT, & GUARD 364-66-00-000**



| PARTS LIST |               |                                  |     | PARTS LIST |               |                                  |     |
|------------|---------------|----------------------------------|-----|------------|---------------|----------------------------------|-----|
| ITEM       | PART NUMBER   | DESCRIPTION                      | QTY | ITEM       | PART NUMBER   | DESCRIPTION                      | QTY |
| 1          | 364-69-00-000 | PLASTIC PTO GUARD KIT            | 1   | 2.1.4      | 364-64-00-210 | CHT 1000 RPM FAN BLADE           | 4   |
| 1.1        | R22196        | SHEILD CONE ASSY                 | 1   | 2.1.5      | 364-72-00-422 | FAN BLADE GUSSET                 | 4   |
| 1.2        | 364-00-00-448 | GUARD SUPPORT                    | 1   | 2.1.6      | 364-72-00-227 | AGITATOR BLADE                   | 3   |
| 1.3        | R07802        | 5/16 LOCK WASHER                 | 2   | 2.2        | 364-67-00-000 | COVER PLATE ASSY                 | 1   |
| 1.4        | R07611        | 5/16 x 1" HEX BOLT               | 2   | 2.2.1      | 364-67-00-211 | HOUSING COVER PLATE              | 1   |
| 2          | 364-66-01-000 | 1000 RPM FAN & COVER PLATE       | 1   | 2.2.2      | R07774        | 7/16 x 1 1/4" GR 5 CARRIAGE BOLT | 4   |
| 2.1        | 364-73-00-000 | 1000 RPM SHAFT & IMP. ASSY - CHT | 1   | 2.2.3      | R07879        | 7/16 FLANGE NUT                  | 4   |
| 2.1.1      | 364-72-00-226 | FAN SHAFT                        | 1   | 2.3        | 357-59-00-000 | BEARINGS & HOLDER KIT 2002       | 1   |
| 2.1.2      | 364-63-00-209 | FAN BACK PLATE                   | 1   | 2.4        | R09785        | "DANGER ROTATING DRIVELINE"      | 1   |
| 2.1.3      | R20238        | HARDENED SEAL SLEEVE             | 1   |            |               | DECAL                            |     |

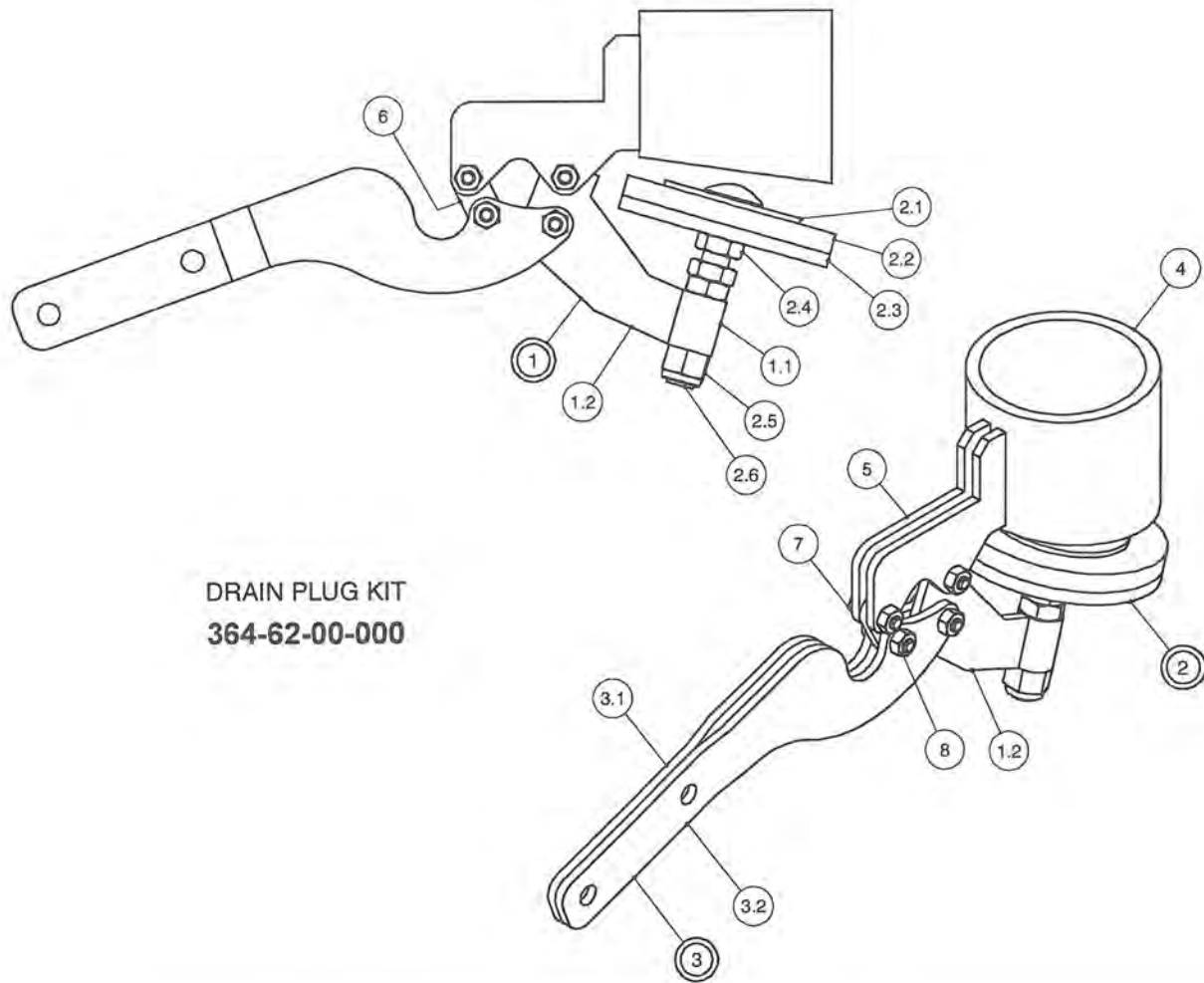
# BEARING HOLDER KIT



**BEARING HOLDER KIT  
357-59-00-000**

| PARTS LIST |               |                                  |     |
|------------|---------------|----------------------------------|-----|
| ITEM       | PART NUMBER   | DESCRIPTION                      | QTY |
| 1          | 357-59-01-000 | BEARING HOLDER w/ CUPS KIT       | 1   |
| 1.1        | 357-59-02-000 | BEARING BOX ASSY                 | 1   |
| 1.1.1      | 364-61-00-192 | SEAL TUBE BACK PLATE             | 1   |
| 1.1.2      | 364-61-00-191 | BEARING TUBE                     | 1   |
| 1.1.3      | 357-59-02-289 | BEARING BOX GUSSET               | 4   |
| 1.2        | R20113        | LM501310 OUTER CUP               | 2   |
| 2          | R20115        | LM501349 OUTER CONE              | 2   |
| 3          | 364-00-00-212 | STAKE NUT                        | 1   |
| 4          | 364-00-00-332 | SEAL TUBE KIT                    | 1   |
| 5          | R08188        | 1/4" NPT STRAIGHT GREASE FITTING | 1   |
| 6          | R08175        | 5/16 - 18 UNC x 1 3/4" CAP SCREW | 2   |
| 7          | R09787        | GREASE DECAL                     | 1   |
| 8          | R21196        | SL LIP SEAL 152833TB 1.5"        | 1   |
| 9          | R21197        | 2.25 x 3.005 x .25 SEAL          | 3   |
| 10         | R20238        | HARDENED SEAL SLEEVE             | 1   |

## DRAIN PLUG KIT

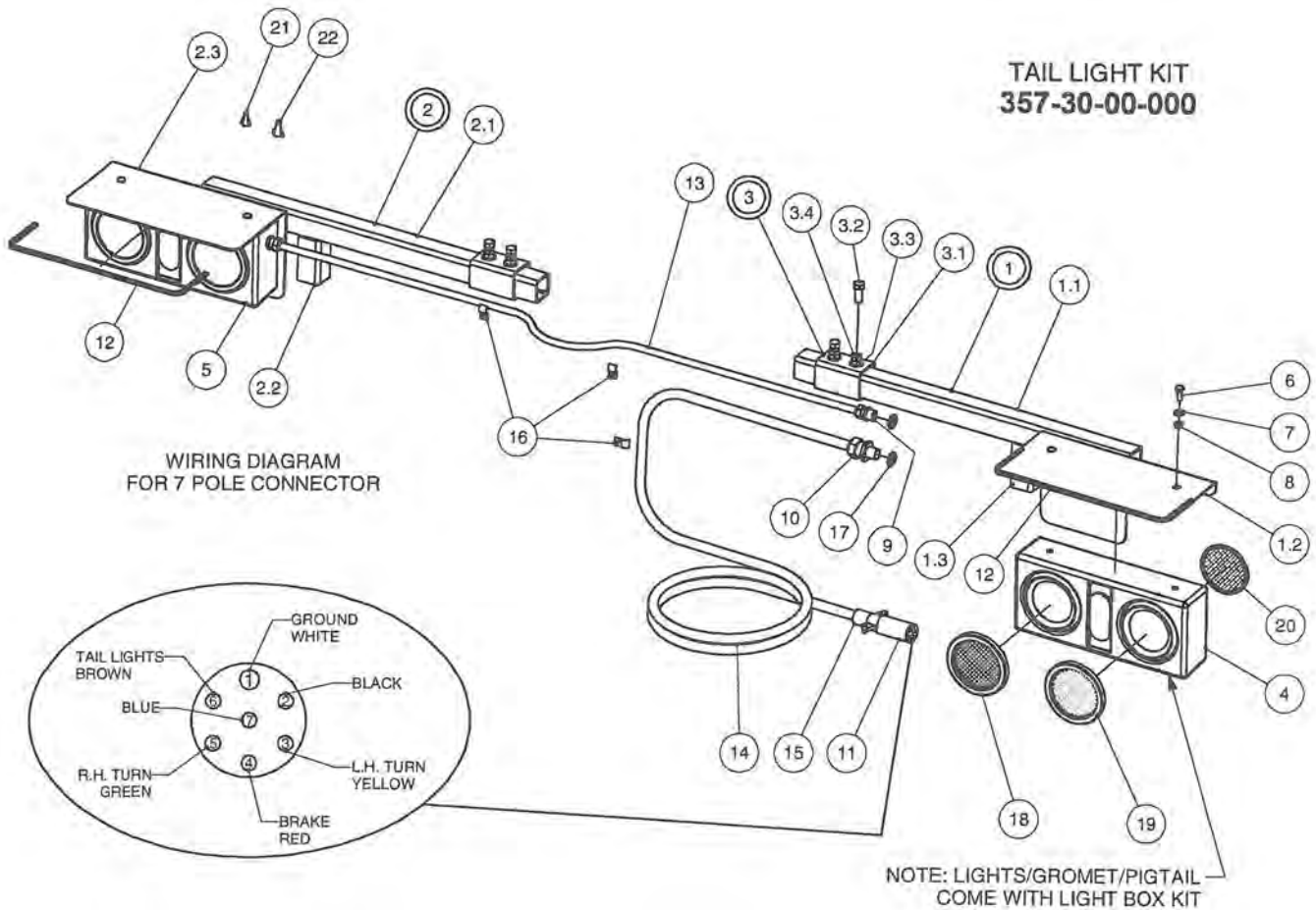


### PARTS LIST

| ITEM | PART NUMBER   | DESCRIPTION                       | QTY |
|------|---------------|-----------------------------------|-----|
| 1    | 364-62-01-000 | DRAIN PLUG SLEEVE ASSY            | 1   |
| 1.1  | 364-62-01-201 | SLEEVE                            | 1   |
| 1.2  | 364-62-01-200 | SLEEVE LINKAGE                    | 1   |
| 2    | 364-62-05-000 | DRAIN PLUG REPLACMENT KIT         | 1   |
| 2.1  | 364-62-04-370 | PLUG WASHER                       | 1   |
| 2.2  | 364-62-02-204 | RUBBER PLUG                       | 1   |
| 2.3  | 364-62-02-203 | PLUG PLATE                        | 1   |
| 2.4  | R08046        | 1/2 - 13 JAM NUT                  | 3   |
| 2.5  | R08219        | 1/2 UNC NYLOCK NUT                | 1   |
| 2.6  | R08316        | 1/2 x 3 1/2" FULL THREAD CAR BOLT | 1   |
| 3    | 364-62-03-000 | HANDLE ASSY                       | 1   |
| 3.1  | 364-62-03-206 | LH HANDLE                         | 1   |
| 3.2  | 364-62-03-207 | RH HANDLE                         | 1   |
| 4    | 364-01-03-110 | DRAIN PIPE                        | 1   |
| 5    | 364-62-00-199 | PLUG HOUSING BRKT                 | 2   |
| 6    | 364-62-00-205 | SHORT LINKAGE                     | 1   |
| 7    | R08176        | 1/4 x 7/8" HEX BOLT               | 4   |
| 8    | R08048        | 1/4" 2 WAY LOCK NUT               | 4   |

# TAIL LIGHT KIT

| PARTS LIST |               |                        |     | PARTS LIST |               |                                    |     |
|------------|---------------|------------------------|-----|------------|---------------|------------------------------------|-----|
| ITEM       | PART NUMBER   | DESCRIPTION            | QTY | ITEM       | PART NUMBER   | DESCRIPTION                        | QTY |
| 1          | 357-30-01-000 | RH LIGHT BAR ASSY      | 1   | 7          | R07823        | 3/8 FLAT WASHER                    | 4   |
| 1.1        | 357-30-01-171 | LIGHT BAR              | 1   | 8          | R07794        | 3/8 FLANGE NUT                     | 4   |
| 1.2        | 357-30-01-172 | RH LITE BOLT PLATE     | 1   | 9          | R10193        | 1/2" NYLON TITE CONNECTOR          | 2   |
| 1.3        | 357-30-01-173 | STUB BAR               | 1   | 10         | R10357        | 3/4" NYLON TITE CONNECTOR          | 1   |
| 2          | 357-30-02-000 | LH LIGHT BAR ASSY      | 1   | 11         | R10095        | 7 POLE CONNECTOR                   | 1   |
| 2.1        | 357-30-01-171 | LIGHT BAR              | 1   | 12         | 357-30-00-311 | SAFETY EDGING                      | 2   |
| 2.2        | 357-30-01-173 | STUB BAR               | 1   | 13         | R04046        | 4-WIRE TRAILER CABLE - APPROX. 4M  | 1   |
| 2.3        | 357-30-02-245 | LH LITE BOLT PLATE     | 1   | 14         | R04235        | 14/6 TRAILER CABLE - APPROX. 10.5M | 1   |
| 3          | 357-30-03-000 | MOUNT BRKT ASSY        | 2   | 15         | R09636        | RUBBER BOOT                        | 1   |
| 3.1        | 357-30-03-174 | MOUNT BRKT             | 1   | 16         | R21104        | HYD. HOSE CLIPS                    | 12  |
| 3.2        | R07674        | 1/2 x 1 1/4 HEX BOLT   | 2   | 17         | R10345        | 1/2" ELECTRICAL BOX LOCK NUT       | 3   |
| 3.3        | R07795        | 1/2" UNC FLANGE NUT    | 2   | 18         | R10087        | RED LIGHT KIT                      | 2   |
| 3.4        | R08046        | 1/2 - 13 JAM NUT       | 2   | 19         | R10347        | AMBER LIGHT KIT w/ CLEAR BACK      | 2   |
| 4          | R10349        | RH LAMP BOX w/ 2 LAMPS | 1   | 20         | R10346        | AMBER REPLACEMENT LENS             | 2   |
| 5          | R10348        | LH LAMP BOX w/ 2 LAMPS | 1   | 21         | R04343        | #451 YELLOW WING NUT CONNECTOR     | 8   |
| 6          | R07721        | 3/8 x 1 CARRIAGE BOLT  | 4   | 22         | R04422        | #452 RED WING NUT CONNECTOR        | 2   |



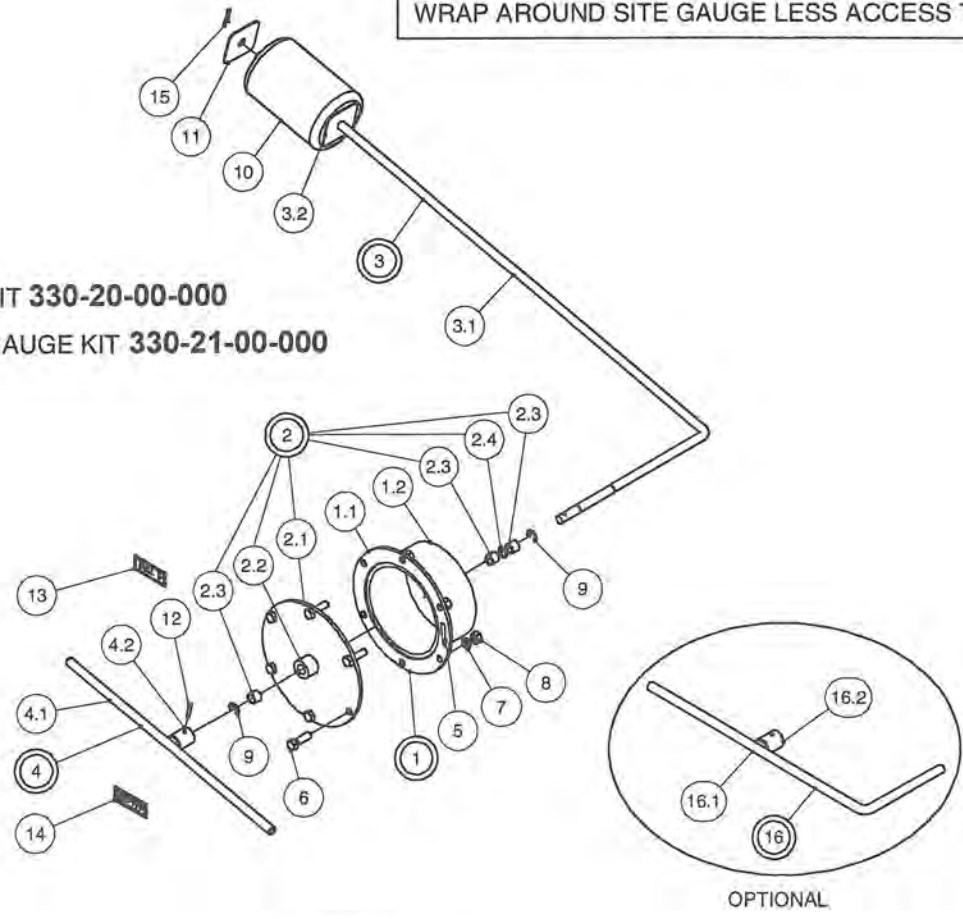
# SIGHT GAUGE KIT

| PARTS LIST |               |                                 |     | PARTS LIST |               |                           |     |
|------------|---------------|---------------------------------|-----|------------|---------------|---------------------------|-----|
| ITEM       | PART NUMBER   | DESCRIPTION                     | QTY | ITEM       | PART NUMBER   | DESCRIPTION               | QTY |
| 1          | 330-20-03-000 | ACCESS TUBE ASSY                | 1   | 5          | R04100        | SILICONE SEALANT          | 1   |
| 1.1        | 330-20-03-560 | ACCESS TUBE FLANGE              | 1   | 6          | R07675        | 3/8 x 1 1/4" HEX BOLT     | 6   |
| 1.2        | 330-20-03-556 | ACCESS TUBE                     | 1   | 7          | R07803        | 3/8 LOCK WASHER           | 6   |
| 2          | 330-20-04-000 | COVER PLATE ASSY                | 1   | 8          | R07783        | 3/8 HEX NUT               | 6   |
| 2.1        | 330-20-00-557 | COVER PLATE                     | 1   | 9          | R07974        | EXTERNAL RETAINING RING   | 2   |
| 2.2        | 330-20-04-562 | BUSHING HOLDER                  | 1   | 10         | R09524        | FLOAT                     | 1   |
| 2.3        | R21173        | 1/2 x 5/8 x 1/2" BRONZE BUSHING | 3   | 11         | 330-20-01-552 | FLOAT STRAPS              | 1   |
| 2.4        | R20865        | O-RING #11-014                  | 1   | 12         | R08241        | 3/16 x 1 SS ROLL PIN      | 1   |
| 3          | 330-20-01-000 | FLOAT ARM ASSY                  | 1   | 13         | R09529        | "FULL" DECAL              | 1   |
| 3.1        | 330-20-01-551 | FLOAT ARM                       | 1   | 14         | R09530        | "EMPTY" DECAL             | 1   |
| 3.2        | 330-20-01-552 | FLOAT STRAPS                    | 1   | 15         | R08021        | 1/8 x 1 S.S. COTTER PIN   | 1   |
| 4          | 330-20-02-000 | INDICATOR ARM ASSY              | 1   | 16         | 330-21-01-000 | WRAP AROUND SITE ARM ASSY | 1   |
| 4.1        | 330-20-02-554 | INDICATOR ARM                   | 1   | 16.1       | 330-19-46-546 | WRAP AROUND SITE ARM      | 1   |
| 4.2        | 330-20-02-553 | INDICATOR ARM HUB               | 1   | 16.2       | 330-20-02-553 | INDICATOR ARM HUB         | 1   |

**330-22-00-000**  
SITE GAUGE LESS ACCESS TUBE

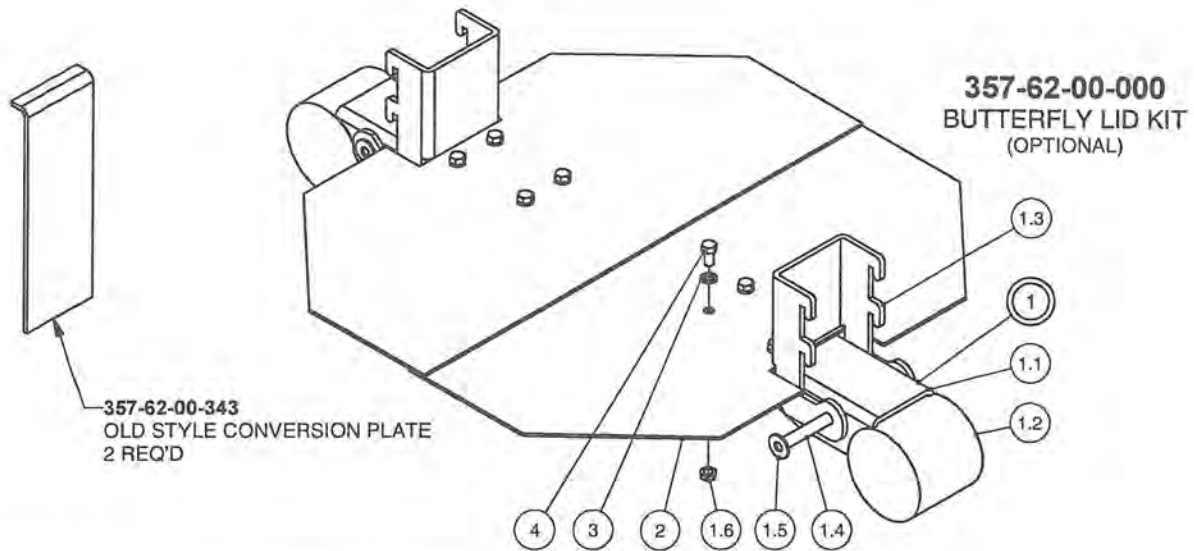
**330-23-00-000**  
WRAP AROUND SITE GAUGE LESS ACCESS TUBE

**SIGHT GAUGE KIT 330-20-00-000**  
**WRAP AROUND SIGHT GAUGE KIT 330-21-00-000**



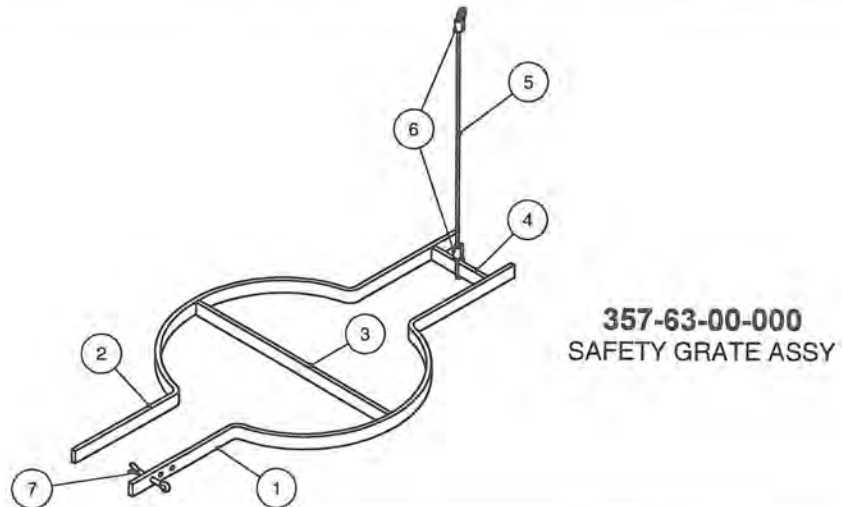


## BUTTERFLY LID & SAFETY GRATE



NOTE: WITH INSTALLATION OF A BUTTERFLY LID, A SAFETY GRATE MUST BE USED TO LOCK LID IN PLACE

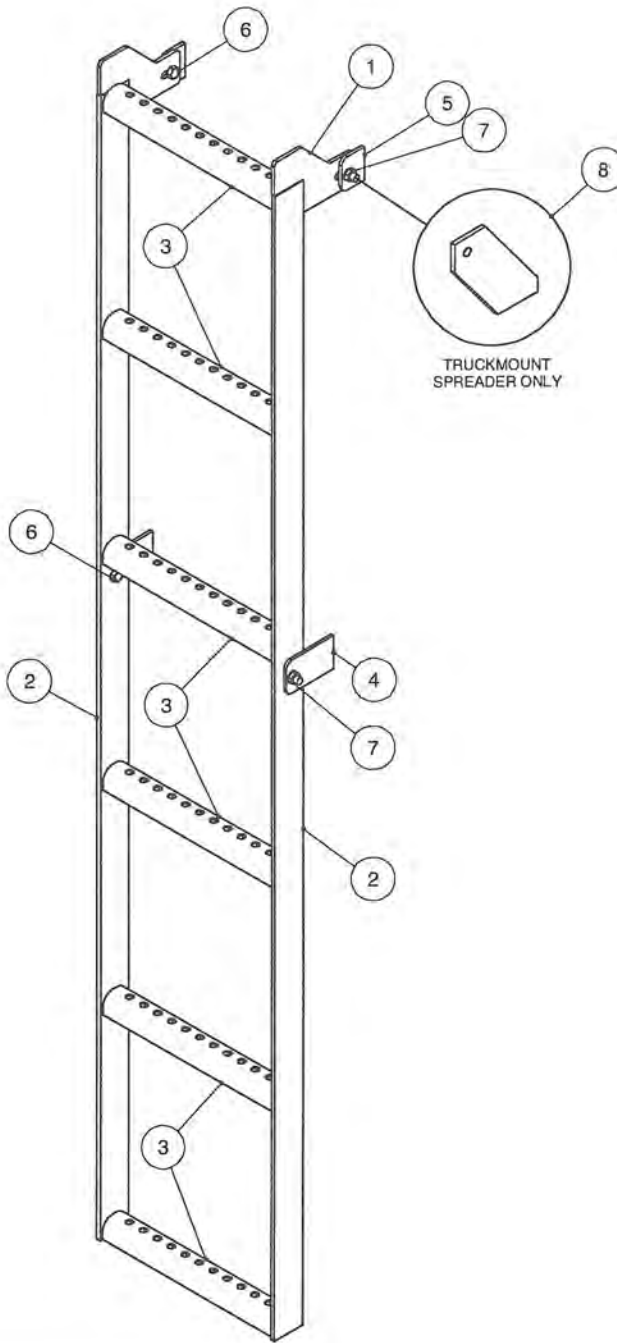
| PARTS LIST |               |                     |     | PARTS LIST |               |                         |     |
|------------|---------------|---------------------|-----|------------|---------------|-------------------------|-----|
| ITEM       | PART NUMBER   | DESCRIPTION         | QTY | ITEM       | PART NUMBER   | DESCRIPTION             | QTY |
| 1          | 357-62-01-000 | BUTTERFLY HINGE KIT | 2   | 1.5        | R07824        | 7/16 FLAT WASHER        | 2   |
| 1.1        | 357-62-01-316 | U - CHANNEL HINGE   | 1   | 1.6        | R07794        | 3/8 FLANGE NUT          | 4   |
| 1.2        | 357-62-01-317 | COUNTER WEIGHT      | 1   | 2          | 357-62-00-318 | BUTTERFLY LID           | 2   |
| 1.3        | 357-62-01-319 | DROP-IN HINGE       | 1   | 3          | R08319        | 3/8 S.S. LOCK WASHER    | 8   |
| 1.4        | 357-62-01-315 | HINGE PIN           | 1   | 4          | R08317        | 3/8 x 3/4 S.S. HEX BOLT | 8   |



| PARTS LIST |               |                             |     |
|------------|---------------|-----------------------------|-----|
| ITEM       | PART NUMBER   | DESCRIPTION                 | QTY |
| 1          | 357-63-00-320 | SAFETY BAR w/ HOLE          | 1   |
| 2          | 357-63-00-332 | SAFETY BAR                  | 1   |
| 3          | 357-63-00-321 | CROSS SAFETY BAR            | 1   |
| 4          | 357-63-00-322 | STOP BAR                    | 1   |
| 5          | 357-63-00-331 | SAFETY CABLE                | 1   |
| 6          | R08068        | 1/8" ALUMINUM CRIMP SLEEVES | 2   |
| 7          | R08016        | 1/4 x 2 COTTER PIN          | 1   |

# LADDER KIT

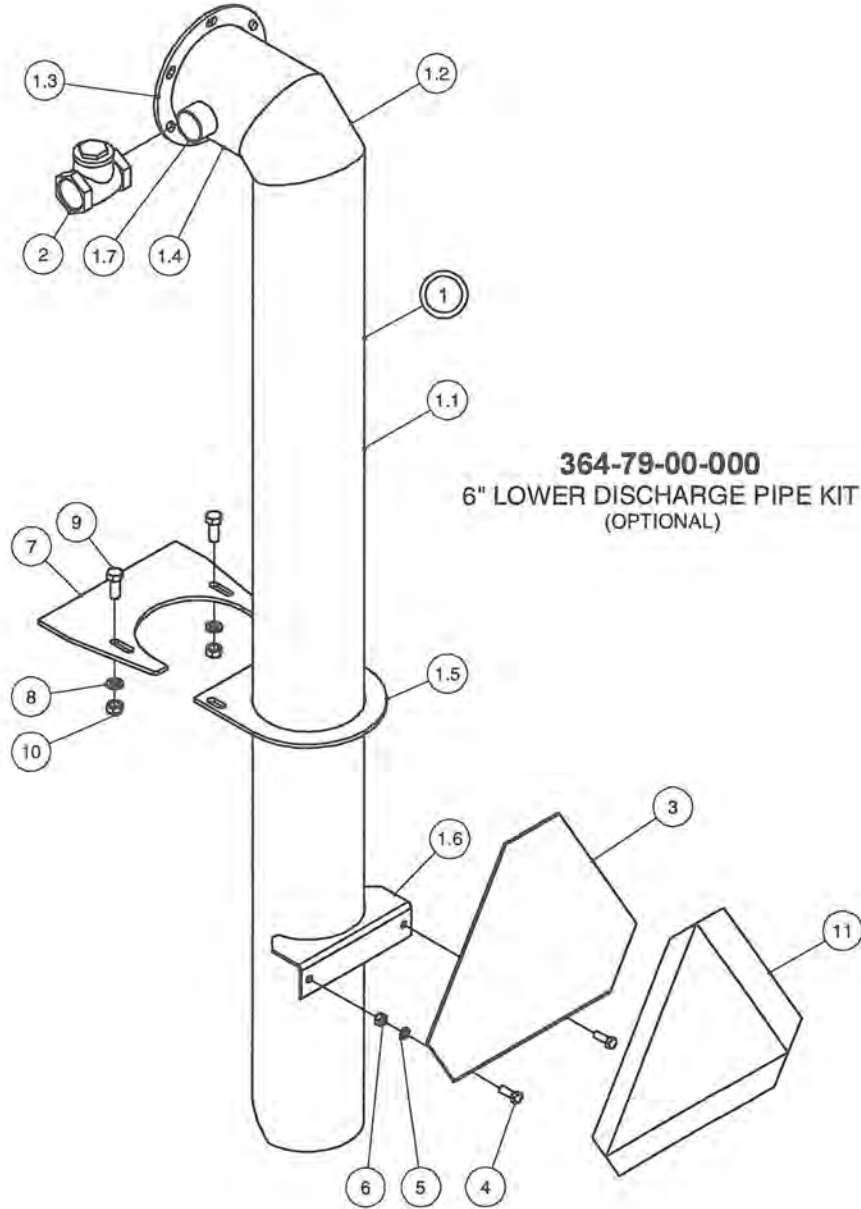
LADDER KIT  
364-95-00-000



## PARTS LIST

| ITEM | PART NUMBER   | DESCRIPTION      | QTY |
|------|---------------|------------------|-----|
| 1    | 364-95-00-326 | LADDER LUG       | 2   |
| 2    | 364-95-00-325 | LADDER SIDE PC   | 2   |
| 3    | 364-95-00-324 | LADDER RUNG      | 6   |
| 4    | 364-00-00-414 | TANK LUG         | 2   |
| 5    | 364-95-00-327 | UPPER TANK LUG   | 2   |
| 6    | R07619        | 3/8 x 1 HEX BOLT | 4   |
| 7    | R07794        | 3/8 FLANGE NUT   | 4   |
| 8    | 384-00-00-216 | LADDER BRKT      | 1   |

## LOWER DISCHARGE PIPE KIT



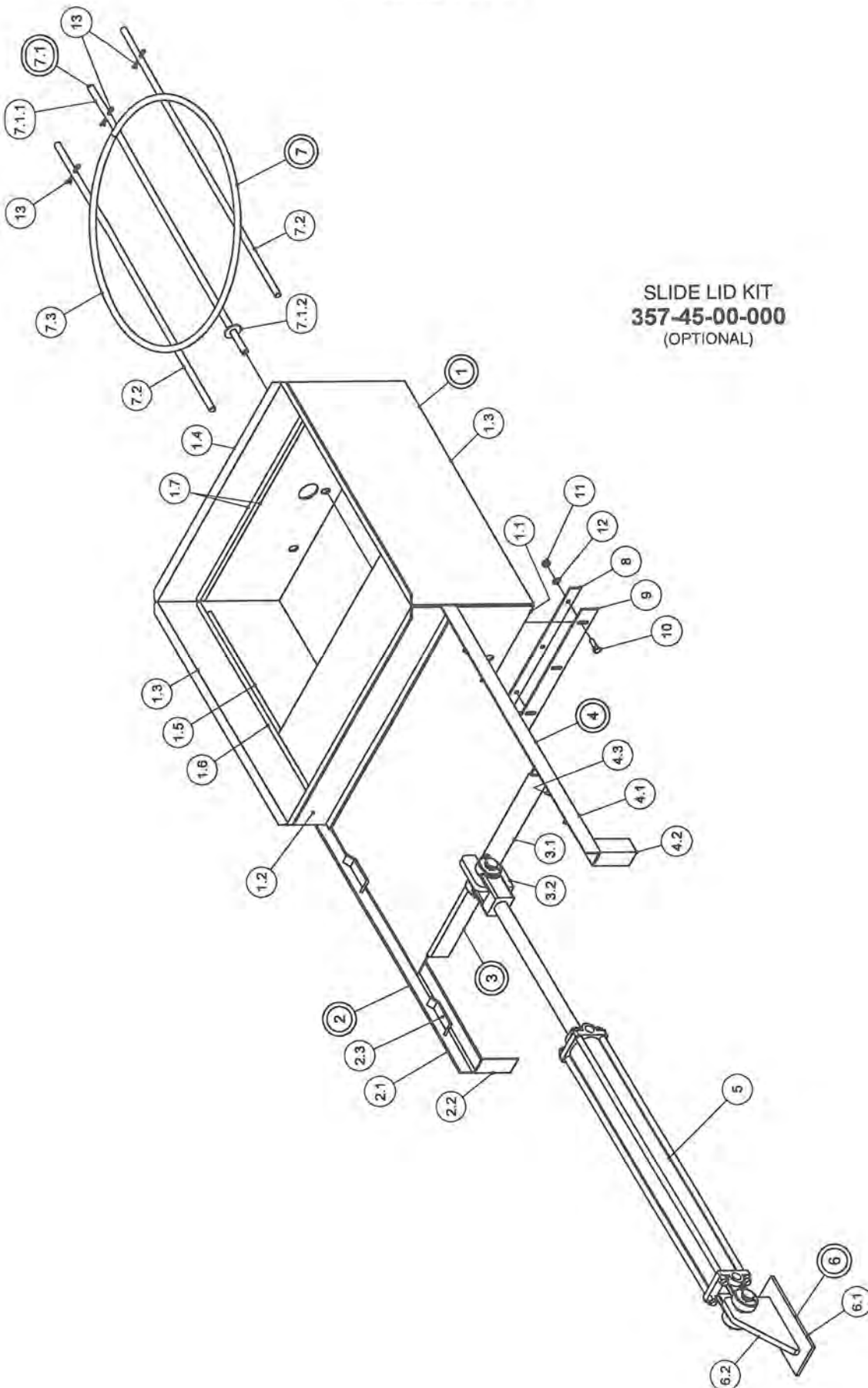
| PARTS LIST |               |                          |     | PARTS LIST |               |                           |     |
|------------|---------------|--------------------------|-----|------------|---------------|---------------------------|-----|
| ITEM       | PART NUMBER   | DESCRIPTION              | QTY | ITEM       | PART NUMBER   | DESCRIPTION               | QTY |
| 1          | 364-79-01-000 | 6" DROP PIPE ASSY        | 1   | 3          | 200-00-00-132 | S.M.V. SIGN HOLDER        | 1   |
| 1.1        | 364-79-01-295 | LONG DROP PIPE           | 1   | 4          | R07619        | 3/8 x 1 HEX BOLT          | 2   |
| 1.2        | 364-19-00-082 | DISCHARGE PIPE CORNER PC | 1   | 5          | R07803        | 3/8 LOCK WASHER           | 2   |
| 1.3        | 364-19-00-087 | DISCHARGE PIPE FLANGE    | 1   | 6          | R07783        | 3/8 HEX NUT               | 2   |
| 1.4        | 364-79-01-296 | SHORT HORIZONTAL PIPE    | 1   | 7          | 384-05-03-070 | TANK BRKT                 | 1   |
| 1.5        | 384-05-02-069 | TUBE ATTACHMENT BRKT     | 1   | 8          | R07805        | 1/2 LOCK WASHER           | 2   |
| 1.6        | 308-77-00-226 | S.M.V. SIGN HOLDER       | 1   | 9          | R07674        | 1/2 x 1 1/4 HEX BOLT      | 2   |
| 1.7        | R02127        | 1 1/2 CLOSE NIPPLE       | 1   | 10         | R07785        | 1/2 HEX NUT               | 2   |
| 2          | R02490        | 1 1/2" CHECK VALVE       | 1   | 11         | R09501        | SLOW MOVING VEHICLE DECAL | 1   |



## HYDRAULIC DIRECT DRIVE KIT CON'T

| PARTS LIST |               |                                   |     |
|------------|---------------|-----------------------------------|-----|
| ITEM       | PART NUMBER   | DESCRIPTION                       | QTY |
| 1          | 384-02-01-000 | DIRECT HYD DRIVE MOUNT PL ASSY    | 1   |
| 1.1        | 384-02-01-002 | R.H. EXTENSION PLATE              | 1   |
| 1.2        | 384-02-01-003 | L.H. EXTENSION PLATE              | 1   |
| 1.3        | 384-02-01-004 | MOTOR MOUNT PLATE                 | 1   |
| 1.4        | 384-02-01-012 | REINFORCING STRAP                 | 2   |
| 1.5        | 384-18-01-275 | REINFORCING ANGLE                 | 2   |
| 2          | R20617        | 60 - 18 COUPLING COVER            | 1   |
| 3          | 364-48-32-000 | 3/4" HYD HOSE ASSY                | 2   |
| 3.1        | 364-48-32-187 | 3/4" HYD HOSE ASSY                | 1   |
| 3.2        | R20824        | 3/4" FERRULE                      | 2   |
| 3.3        | R21241        | 3/4" MALE SOLID STEM              | 2   |
| 4          | 364-48-24-000 | 3/4" HYD HOSE ASSY                | 2   |
| 4.1        | 364-48-24-163 | 3/4" HYDRAULIC HOSE               | 1   |
| 4.2        | R20824        | 3/4" FERRULE                      | 2   |
| 4.3        | R21241        | 3/4" MALE SOLID STEM              | 2   |
| 5          | R21422        | MS160 HYDRAULIC MOTOR             | 1   |
| 6          | 384-02-00-007 | 60B - 18 SPR.-1 1/4" STR SHAFT    | 1   |
| 7          | 384-02-00-072 | SPROCKET FOR 6 TOOTH SPLINE       | 1   |
| 8          | R07744        | 1/2" x 2 CARRIAGE BOLT            | 4   |
| 9          | R07805        | 1/2 LOCK WASHER                   | 4   |
| 10         | R07785        | 1/2 HEX NUT                       | 4   |
| 11         | 384-02-00-005 | GUARD                             | 1   |
| 12         | R07698        | 1/4 x 1/2 HEX BOLT                | 2   |
| 13         | R07801        | 1/4 LOCK WASHER                   | 2   |
| 14         | R20815        | 7/8-14 SAE M x 3/4" ADAPTOR       | 1   |
| 15         | R21202        | 3/4" NPT IN-LINE CHECK VALVE      | 1   |
| 16         | R21338        | 3/4" PIONEER TIP                  | 2   |
| 17         | R07911        | 3/8 x 3/4" SET SCREW              | 2   |
| 18         | R20883        | 60-18 COUPLING CHAIN              | 1   |
| 19         | R21332        | 3/4M x 3/4F NPT 90 SWIVEL ADAPTOR | 1   |
| 20         | R21323        | 7/8" x 3/4" NPT SWIVEL ADAPTOR    | 1   |
| 21         | R21393        | 3/4" HYDRAULIC TEE                | 2   |

# SLIDE LID KIT

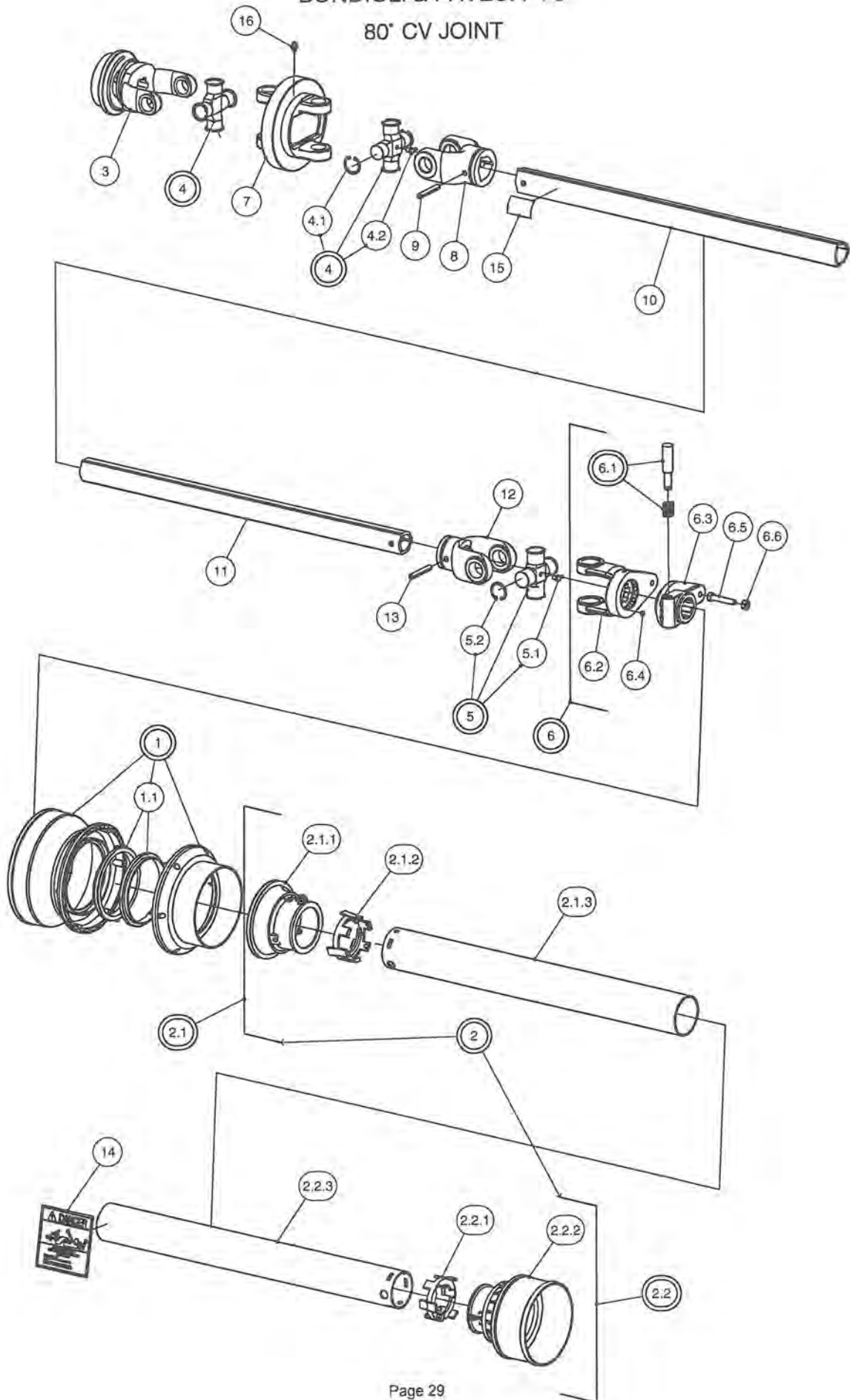


SLIDE LID KIT  
357-45-00-000  
(OPTIONAL)

## SLIDE LID KIT CONT

| PARTS LIST |               |                                |     |
|------------|---------------|--------------------------------|-----|
| ITEM       | PART NUMBER   | DESCRIPTION                    | QTY |
| 1          | 357-45-01-000 | MANHOLE ASSY                   | 1   |
| 1.1        | 357-45-01-204 | FRONT LOWER PANEL              | 1   |
| 1.2        | 357-45-01-205 | FRONT UPPER PANEL              | 1   |
| 1.3        | 357-45-01-202 | SIDES                          | 2   |
| 1.4        | 357-45-01-203 | REAR PANEL                     | 1   |
| 1.5        | 357-45-01-257 | SIDE LOWER GUIDE BARS          | 2   |
| 1.6        | 357-45-01-206 | SIDE UPPER GUIDE BARS          | 2   |
| 1.7        | 357-45-01-207 | REAR GUIDE BAR                 | 2   |
| 2          | 357-45-02-000 | RH SLIDE RAIL ASSY             | 1   |
| 2.1        | 357-45-02-209 | SLIDE RAIL                     | 1   |
| 2.2        | 357-45-02-210 | SLIDE RAIL LEG                 | 1   |
| 2.3        | 357-45-01-208 | LOWER GUIDE                    | 2   |
| (3)        | 357-45-05-000 | LID ASSY - AIR                 | *   |
| 3          | 357-45-03-000 | LID ASSY - HYDRAULIC           | 1   |
| 3.1        | 357-45-03-213 | SLIDE LID                      | 1   |
| 3.2        | 357-45-03-214 | SLIDE LID LUG                  | 1   |
| (3.2)      | 357-45-05-242 | SLIDE LID LUG - AIR            | *   |
| 4          | 357-45-04-000 | LH SLIDE RAIL ASSY             | 1   |
| 4.1        | 357-45-02-209 | SLIDE RAIL                     | 1   |
| 4.2        | 357-45-02-210 | SLIDE RAIL LEG                 | 1   |
| 4.3        | 357-45-01-208 | LOWER GUIDE                    | 2   |
| 5          | R22162        | 2 x 24 HYDRAULIC CYLINDER      | 1   |
| (5)        |               | AIR CYLINDER                   | *   |
| (6)        | 357-45-06-000 | TANK LUG ASSY FOR AIR CYLINDER | *   |
| 6          | 357-45-07-000 | TANK LUG ASSY FOR HYD CYLINDER | 1   |
| 6.1        | 368-54-02-425 | CYLINDER BRKT BASE PLATE       | 1   |
| 6.2        | 357-45-07-254 | TANK LUG FOR HYD CYLINDER      | 1   |
| (6.2)      | 357-45-06-243 | TANK LUG FOR AIR CYLINDER      | *   |
| 7          | 357-45-09-000 | SAFETY GRATE ASSY              | 1   |
| 7.1        | 357-45-08-000 | SAFETY BAR ASSY                | 1   |
| 7.1.1      | 357-45-08-274 | SAFETY BAR                     | 1   |
| 7.1.2      | R08320        | 1/2 S.S. FLAT WASHER           | 1   |
| 7.2        | 357-45-08-274 | SAFETY BAR                     | 2   |
| 7.3        | 357-45-09-314 | SAFETY RING                    | 1   |
| 8          | 357-45-00-211 | STRAP                          | 1   |
| 9          | 357-45-00-212 | RUBBER                         | 1   |
| 10         | R07611        | 5/16 x 1" HEX BOLT             | 5   |
| 11         | R07782        | 5/16 HEX NUT                   | 5   |
| 12         | R07802        | 5/16 LOCK WASHER               | 5   |
| 13         | R08207        | 5/32 x 1 1/2 S.S. COTTER PIN   | 3   |

BONDIOLI & PAVESI PTO  
80° CV JOINT



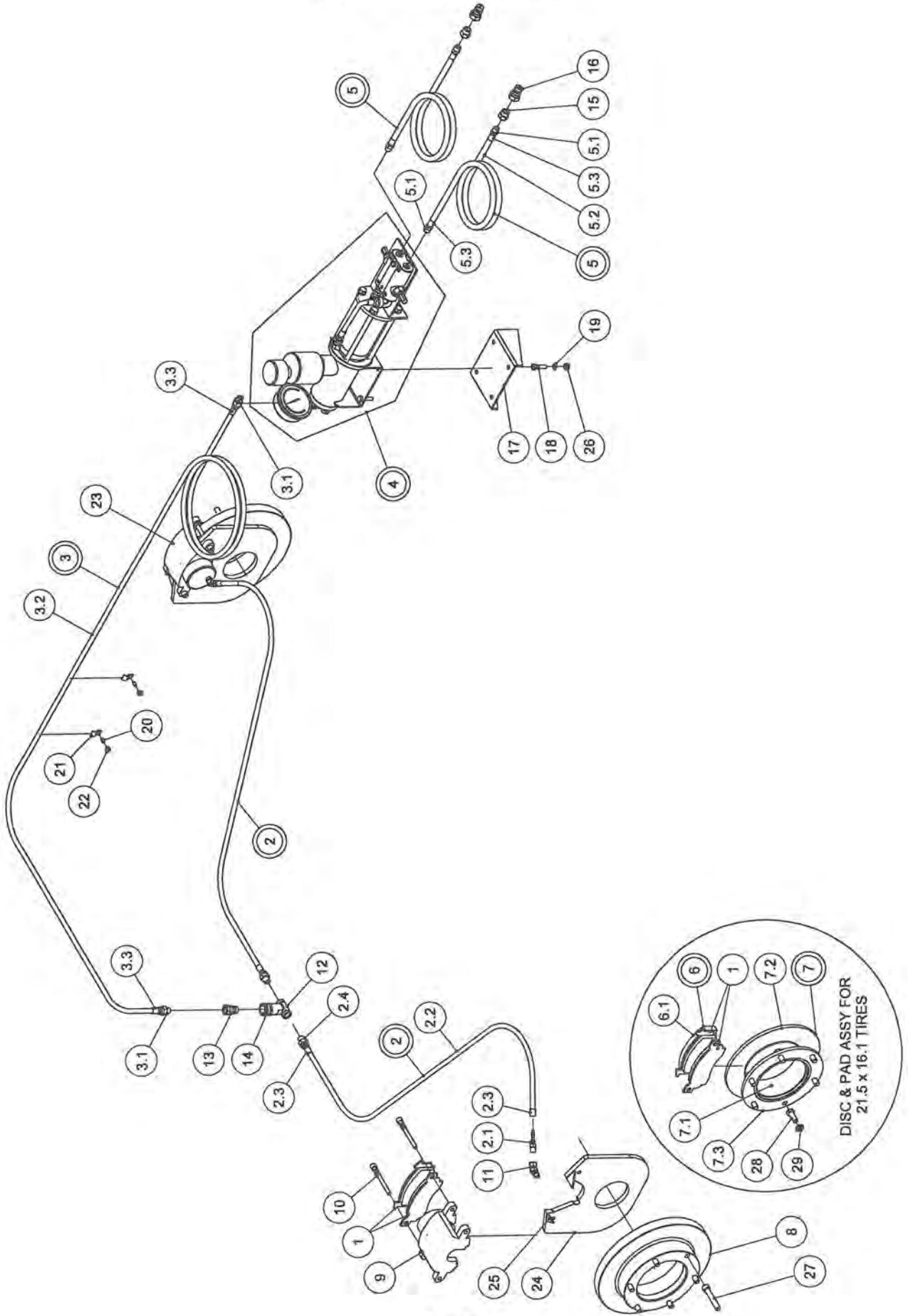


**BONDIOLI & PAVESI PTO  
80° CV JOINT - FOR LONG TONGUE  
(ELITE & SLIM LINE SPREADERS)**

- R21582 540 RPM 6 TOOTH
- R21583 1000 RPM 21 TOOTH
- R21584 1000 RPM 20 TOOTH - 1 3/4"

| PARTS LIST |              |             |   |     |
|------------|--------------|-------------|---|-----|
| ITEM       | MFG #        | PART NUMBER | DESCRIPTION                               | QTY |
| 1          | 517048001    | R21703      | COMPLETE SHELL                            | 1   |
| 1.1        | 255040351    | R21702      | RING NUT DOWELS                           | 2   |
| 2          | 5F04121E1654 | R21711      | SAFETY GUARD                              | 1   |
| 2.1        | 5FE4121E1654 | R21709      | HALF SAFETY GUARD                         | 1   |
| 2.1.1      | 254040024    | R21697      | O. BASIC CONES N3-4                       | 1   |
| 2.1.2      | 255040005    | R21696      | O. BEARING 3-4                            | 1   |
| 2.1.3      | 236681007    | R21698      | CM SAFETY TUBE                            | 1   |
| 2.2        | 5F14121FF    | R21710      | HALF SAFETY GUARD                         | 1   |
| 2.2.1      | 255040006    | R21701      | I. BEARING 3-4                            | 1   |
| 2.2.2      | 517040061    | R21700      | I. CONE SET N3-4                          | 1   |
| 2.2.3      | 236671007    | R21699      | CM SAFETY TUBE                            | 1   |
| 3          |              | R22204      | #4 1 3/8" CV YOKE-21T SLIDING COLLAR YOKE | 1   |
|            |              | R22203      | #4 1 3/8" CV YOKE-6T SLIDING COLLAR YOKE  | *   |
|            |              | R22205      | #4 1 3/4" CV YOKE-20T SLIDING COLLAR YOKE | *   |
| 4          | 4120440012   | R21682      | CROSS JOURNAL ASSY                        | 2   |
| 4.1        | 338009000    | R21694      | CIRCLIP                                   | 4   |
| 4.2        | 348004000    | R21655      | GREASE NIPPLE 45 DEG                      | 1   |
| 5          | 41204        | R21693      | CROSS JOURNAL ASSY                        | 1   |
| 5.1        | 348004000    | R21655      | GREASE NIPPLE 45 DEG                      | 1   |
| 5.2        | 338017000    | R21694      | CIRCLIP                                   | 4   |
| 6          | 606404001    | R21473      | TORQUE LIM SB 4/4                         | 1   |
| 6.1        | 401000001    | R21451      | COMPLETE PUSH BUTTON                      | 1   |
| 6.2        | 213040020    | R21704      | SHEAR YOKE                                | 1   |
| 6.3        | 513070324    | R21706      | HUB c/w QUICK DISCONNECT                  | 1   |
| 6.4        | 362002000    | R21705      | 1/4" BALL                                 | 23  |
| 6.5        | 432000047    | R08251      | M8 x 1.25 x 45 HEX BOLT                   | 1   |
| 6.6        |              | R08252      | M8 x 1.25 LOCK NUT                        | 1   |
| 7          | 511040051    | R21685      | CENTRAL BODY                              | 1   |
| 8          | 215046854    | R21686      | YOKE                                      | 1   |
| 9          | 341038000    | R21475      | FLEXIBLE PIN                              | 1   |
| 10         | 255311060    | R21689      | CARDAN TUBE                               | 1   |
| 11         | 245101060    | R21690      | CARDAN TUBE CM                            | 1   |
| 12         | 204046852    | R21472      | INNER TUBE YOKE                           | 1   |
| 13         | 341048000    | R21476      | FLEXIBLE PIN                              | 1   |
| 14         |              | R21521      | "ROTATING DRIVE LINE" DECAL               | 1   |
| 15         |              | R21523      | "SHIELD MISSING" DECAL                    | 1   |
| 16         | 348017000    | R21687      | GREASE NIPPLE                             | 1   |

12,14,15000L BRAKE KIT



## 12,14,15000L BRAKE KIT

**311-00-00-000** BRAKE KIT FOR 21.5L x 16.1 TIRES

**312-00-00-000** BRAKE KIT FOR 18 x 22.5 AND 28L x 26 TIRES

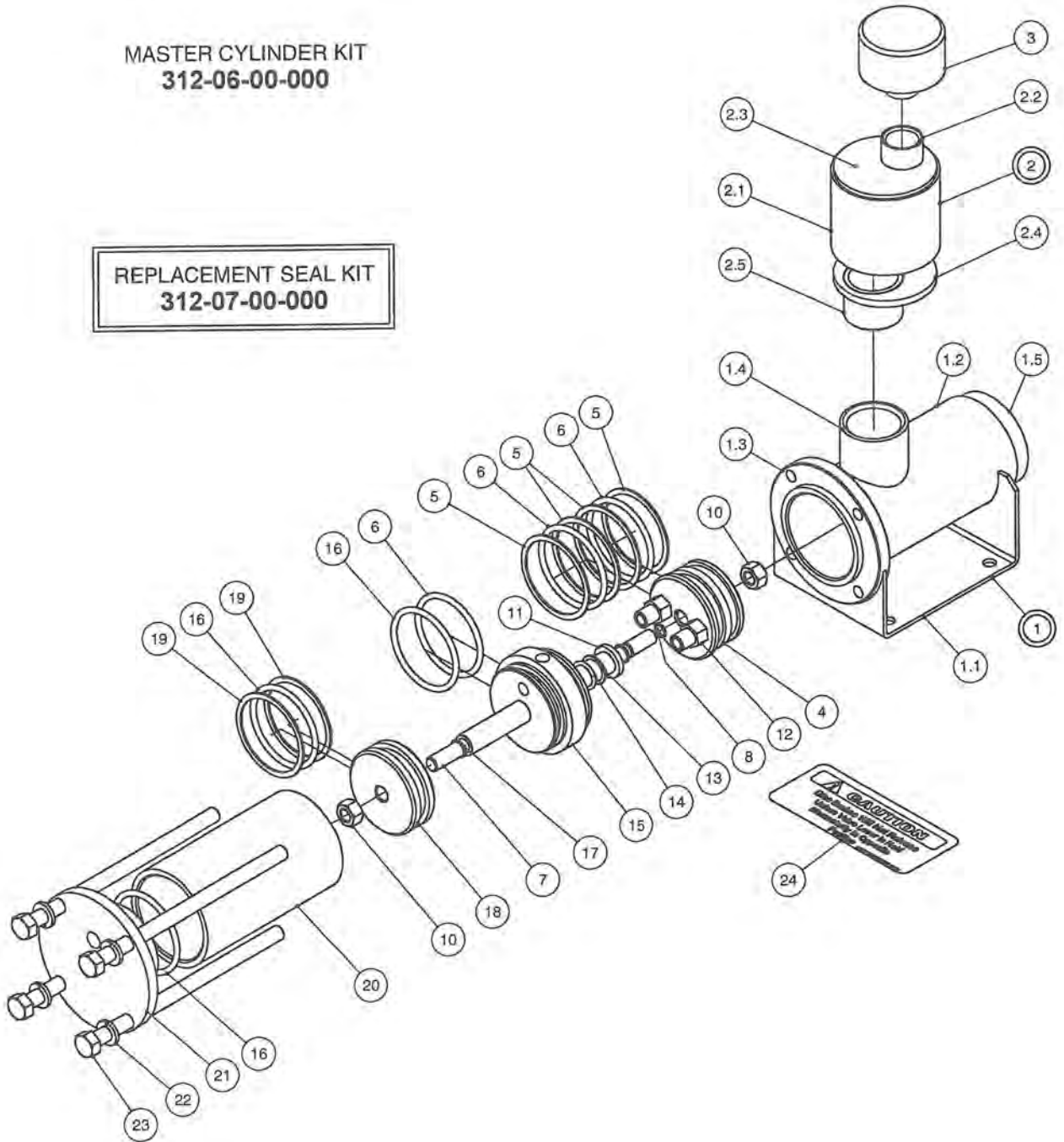
| Parts List |               |                                     |      |
|------------|---------------|-------------------------------------|------|
| ITEM       | PART NUMBER   | DESCRIPTION                         | QTY  |
| 1          | R21067        | BRAKE PADS                          | 4    |
| 2          | 312-08-00-000 | HYD. BRAKE HOSE ASSY FOR DROP AXLE  | *    |
| 2          | 312-04-00-000 | HYD. BRAKE HOSE ASSY                | 2    |
| 2.1        | R20802        | 1/4 - 18 NPT SOLID MALE STEM        | 1    |
| 2.2        | 312-04-00-028 | HYDRAULIC HOSE                      | 1    |
|            | 312-08-00-051 | HYDRAULIC HOSE                      | *    |
| 2.3        | R21231        | STEEL FERRULE - 1/4"                | 2    |
| 2.4        | R20806        | 3/8 NPT SWIVEL MALE STEM            | 1    |
| 3          | 340-17-38-000 | MAIN BRAKE LINE ASSY                | 1    |
| 3.1        | R20806        | 3/8 NPT SWIVEL MALE STEM            | 2    |
| 3.2        | 340-17-38-544 | MAIN HYD. BRAKE HOSE                | 1    |
| 3.3        | R21231        | STEEL FERRULE - 1/4"                | 2    |
| 4          | 312-09-00-000 | MASTER CYLINDER KIT COMPLETE        | 1    |
| 5          | 340-17-39-000 | HYD. HOSE MASTER CYL. TO TRACTOR    | 2    |
| 5.1        | R20803        | 3/8 - 16 NPT SOLID MALE STEM        | 2    |
| 5.2        | 340-17-39-545 | HYD. HOSE - MASTER CYL. TO TRACTOR  | 1    |
| 5.3        | R21231        | STEEL FERRULE - 1/4"                | 2    |
| 6          | 310-15-00-000 | PAD & SPACER ASSY                   | 2**  |
| 6.1        | 310-15-00-023 | PAD SPACER                          | 1**  |
| 7          | 311-16-00-000 | BRAKE DISC ASSY                     | 2**  |
| 7.1        | 311-16-00-025 | DISC SPACER                         | 1**  |
| 7.2        | 311-16-00-024 | BRAKE DISC                          | 1**  |
| 7.3        | 340-10-00-350 | DISC HOLDDOWN PLATE MARTIN HUB      | 1**  |
| 8          | R20098        | BOLT ON BRAKE DISC                  | 2    |
| 9          | R21065        | RH DISC BRAKE CALIPER ASSY TC500    | 1    |
| 10         | R21070        | GUIDE PINS                          | 4    |
| 11         | R21308        | 45 DEG x 7/16 SAE x 1/4 NPT ADAPTOR | 2    |
| 12         | R22111        | 3/8" HYD TEE - F x F x M            | 1    |
| 13         | R21339        | 3/8" MALE PIONEER END               | 1    |
| 14         | R21337        | 3/8" FEMALE PIONEER END             | 1    |
| 15         | R02043        | BUSHING 1/2 x 3/8                   | 2    |
| 16         | R21342        | 1/2" MALE PIONEER TIP               | 2    |
| 17         | 312-06-00-047 | TONGUE BRACKET                      | 1    |
| 18         | R07620        | 3/8 x 1 1/2 HEX BOLT                | 4    |
| 19         | R07803        | 3/8 LOCK WASHER                     | 4    |
| 20         | R08301        | 1/4 x 20 UNC x 1/2" WELD STUD       | 2    |
| 21         | R21104        | HYD. HOSE CLIPS                     | 2    |
| 22         | R07781        | 1/4 HEX NUT                         | 2    |
| 23         | R21066        | LH DISC BRAKE CALIPER ASSY TC501    | 1    |
| 24         | 312-02-00-027 | CALIPER MOUNTING PLATE              | 2    |
|            | 340-08-10-332 | CALIPER MOUNTING PLATE (28L TIRES)  | *    |
|            | 311-17-00-050 | CALIPER MOUNTING PLATE (21.5 TIRES) | *    |
| 25         | 340-08-10-334 | CALIPER PLATE SUPPORT               | 4    |
| 26         | R07783        | 3/8 HEX NUT                         | 4    |
| 27         | R07871        | 1/2 x 3 UNF SHCS                    | 12   |
| 28         | R07861        | 1/2 X 1 1/4" -20 UNF HEX BOLT       | 12** |
| 29         | R07805        | 1/2" LOCK WASHER                    | 12** |

\*\* FOR 21.5 x 16.1 TIRES ONLY

# MASTER CYLINDER KIT

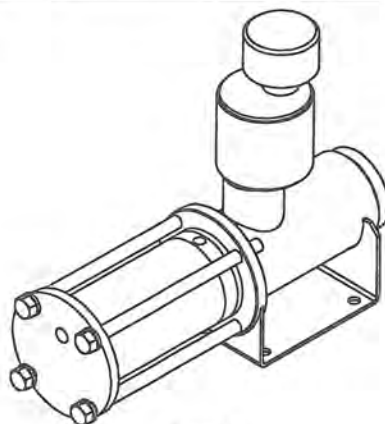
MASTER CYLINDER KIT  
312-06-00-000

REPLACEMENT SEAL KIT  
312-07-00-000



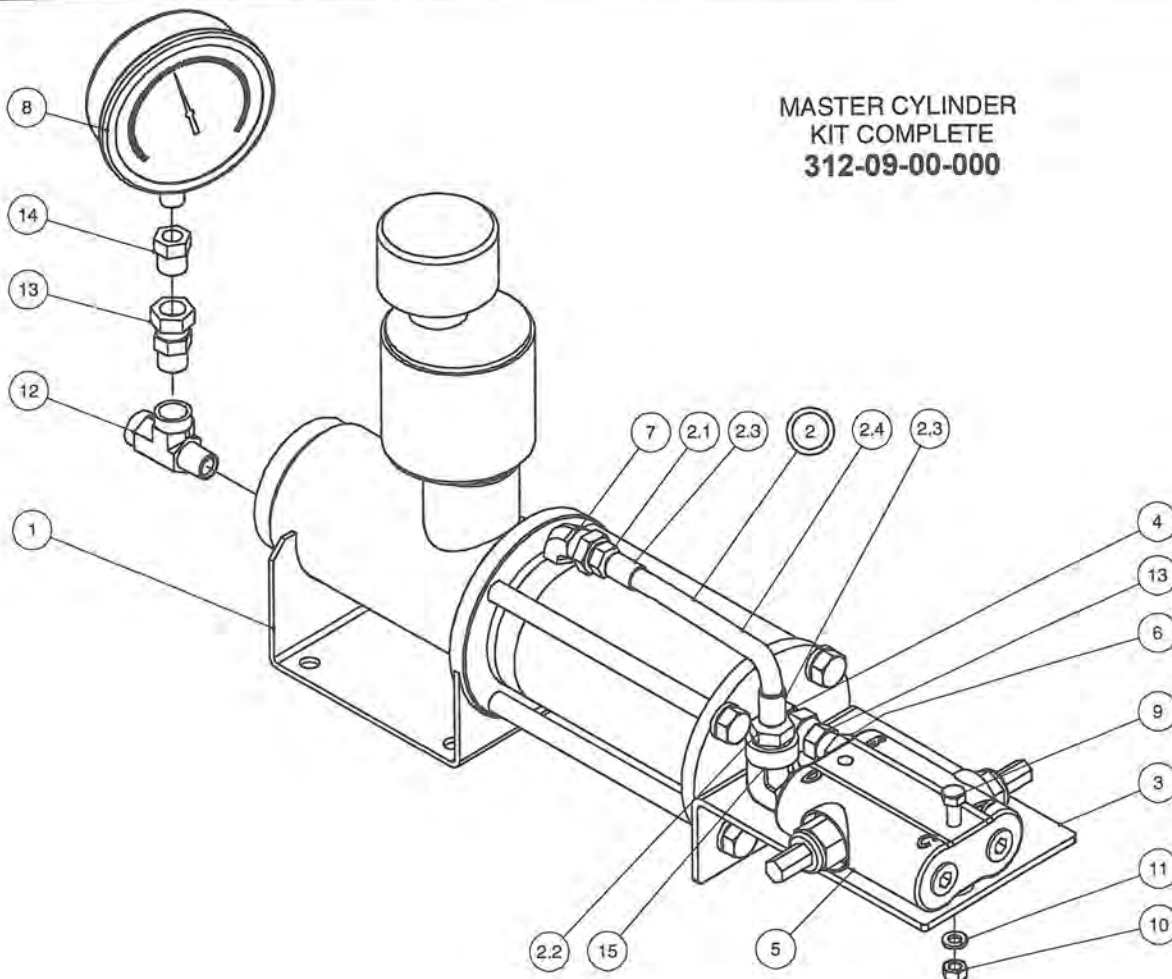
## MASTER CYLINDER KIT

| PARTS LIST |               |                                      |     |
|------------|---------------|--------------------------------------|-----|
| ITEM       | PART NUMBER   | DESCRIPTION                          | QTY |
| 1          | 312-06-02-000 | MASTER CYLINDER TUBE ASSY            | 1   |
| 1.1        | 312-06-02-034 | MOUNT PLATE                          | 1   |
| 1.2        | 312-06-02-030 | MASTER CYLINDER TUBE                 | 1   |
| 1.3        | 312-06-02-031 | MASTER CYLINDER FLANGE               | 1   |
| 1.4        | 312-06-02-033 | COUPLER                              | 1   |
| 1.5        | 312-06-02-032 | MASTER CYLINDER END CAP              | 1   |
| 2          | 312-06-03-000 | RESEVOIR ASSY                        | 1   |
| 2.1        | 312-06-03-041 | RESERVOIR TUBE                       | 1   |
| 2.2        | 312-06-03-045 | RESERVOIR COUPLING                   | 1   |
| 2.3        | 312-06-03-042 | RESEVOIR TOP PLATE                   | 1   |
| 2.4        | 312-06-03-043 | RESEVOIR BOTTOM PLATE                | 1   |
| 2.5        | 312-06-03-046 | RESERVOIR NIPPLE                     | 1   |
| 3          | R21103        | FILLER BREATHER                      | 1   |
| 4          | 312-06-00-039 | MASTER CYLINDER PLUNGER              | 1   |
| 5          | R20873        | TEFLON BACK UP #334                  | 4   |
| 6          | R20868        | EP "O" RING #334 (2 5/8 x 3/16")     | 3   |
| 7          | 312-06-00-040 | SHAFT                                | 1   |
| 8          | R20869        | EP "O" RING 012 (3/8 x 1/2 x 1/16")  | 1   |
| 9          | R20870        | EP "O" RING 014 (1/2 x 5/8 x 1/16")  | 1   |
| 10         | R07885        | 1/2 - 2 WAY LOCK NUT                 | 2   |
| 11         | R20774        | 3/4" HYTREL ROD WIPER 52-750         | 1   |
| 12         | R21207        | 3/8" CHECK VALVE                     | 2   |
| 13         | R20874        | 3/4" HYTREL ROD WIPER 52-750         | 1   |
| 14         | R20871        | EP "O" RING 210 (3/4 x 1 x 1/8")     | 1   |
| 15         | 312-06-00-037 | CYLINDER DIVIDER BLOCK               | 1   |
| 16         | R20836        | "O" RING #11-334 (2 5/8 x 3 x 3/16") | 3   |
| 17         | R20865        | O-RING #11-014                       | 1   |
| 18         | 312-06-00-038 | HYDRAULIC PLUNGER                    | 1   |
| 19         | R20837        | BACK UP #8-334                       | 2   |
| 20         | 312-06-00-035 | HYDRAULIC CYLINDER TUBE              | 1   |
| 21         | 312-06-00-036 | HYDRAULIC CYLINDER END CAP           | 1   |
| 22         | R07805        | 1/2 LOCK WASHER                      | 4   |
| 23         | R07679        | 1/2 x 13 UNC x 8" HEX BOLT           | 4   |
| 24         | R09689        | "CAUTION" DECAL                      | 1   |



# MASTER CYLINDER KIT COMPLETE

| PARTS LIST |               |                                     |     |
|------------|---------------|-------------------------------------|-----|
| ITEM       | PART NUMBER   | DESCRIPTION                         | QTY |
| 1          | 312-06-00-000 | MASTER CYLINDER KIT                 | 1   |
| 2          | 312-06-05-000 | HYD HOSE ASSY                       | 1   |
| 2.1        | R20803        | 3/8 - 16 NPT SOLID MALE STEM        | 1   |
| 2.2        | R20804        | 1/4 STEM 1/2 NPT SOLID MALE STEM    | 1   |
| 2.3        | R21231        | STEEL FERRULE - 1/4"                | 2   |
| 2.4        | 312-06-05-048 | 1/4" RUBBER HYD HOSE                | 1   |
| 3          | 312-09-00-054 | RELIEF VALVE MOUNT PLATE            | 1   |
| 4          | R21397        | 3/8" HYDRAULIC NIPPLE               | 1   |
| 5          | R21209        | DUAL RELIEF VALVE                   | 1   |
| 6          | R02043        | BUSHING 1/2 x 3/8                   | 1   |
| 7          | R21334        | 1/4 x 3/8-90 DEG SWIVEL ADAPTER     | 1   |
| 8          | R21250        | PRESSURE GAUGE                      | 1   |
| 9          | R07614        | 5/16" x 2 1/2 HEX BOLT              | 1   |
| 10         | R07812        | 5/16 HEX NUT                        | 1   |
| 11         | R07802        | 5/16 LOCK WASHER                    | 1   |
| 12         | R22247        | 3/8 TEE - MxFxF                     | 1   |
| 13         | R20812        | 3/8"M X 3/8"F NPT ST SWIVEL ADAPTOR | 2   |
| 14         | R02042        | 1/4" X 3/8" BUSHING                 | 1   |
| 15         | R21367        | 1/2 X 90 HYD ELBOW                  | 1   |



**MASTER CYLINDER  
KIT COMPLETE  
312-09-00-000**

## **HUSKY FARM EQUIPMENT LIMITED**

ALMA, ON

N0B 1A0

PHONE: (519) 846-5329

FAX: (519) 846-9378

### **FIVE YEAR AXLE WARRANTY**

Husky Farm Equipment Limited will guarantee for five (5) years from date of invoice, all Manure Spreader undercarriages and axle assemblies, if used on a farm for farm purposes.

Husky will replace free of charge:

1. Any part of the axle which should break or collapse through normal use.
2. Any spindles or hubs which should break through normal use.
3. Any wheel and rim assemblies which should fail through normal use.

Exempt from extended warranty are:

1. Any part of the axle which should break or collapse through overload. Overload includes: Any attachments (ie. injectors) and any product being transported in Spreader weighing more than 10 lb/gallon. (ie. manure mixed with sand).
2. Bearings and tires which are covered under normal warranty and do require maintenance to avoid failure.
3. Wheel or rim damage resulting from owner failing to keep wheel bolts tight.
4. Spindles damaged through bearing failure.
5. Any axle that is custom built.
6. Any axle used in commercial custom hauling applications.

To qualify for extended warranty, damaged parts must be returned to Husky Farm Equipment Limited, prepaid shipping, along with serial number and copy of the original invoice.

All parts supplied by Husky on warranty, will be shipped freight collect. Extended warranty covers damaged parts only and does not cause liability on Husky for any damage resulting from such failure.

### **TEN YEAR WARRANTY AGAINST RUSTOUT**

Husky Farm Equipment provides a ten (10) year warranty from date of invoice, against premature perforation (rust out) of any liquid manure spreader manufactured. Providing the manure spreader is used for manure or sludge and not for chemical products.

Extended warranty is pro rated and will be paid only through the crediting off of the then current list price of a replacement manure spreader of the portion of warranty not used up in time.

Warranty will be effective toward replacing spreader only and no cash payment will be made. It will be understood that the original equipment to be replaced will then become property of Husky Farm Equipment Limited.

This extended warranty will be effective through Husky Farm Equipment factory or factory outlet only. A copy of the original invoice is to be supplied along with the serial number. This warranty will not be effective for commercial custom haulers or to owners other than the original.

Transportation to and from the factory is to be paid for by the owner of the equipment and not by Husky Farm Equipment Limited.

