

DATE PURCHASED _____ MACHINE SERIAL NO. _____
SIZE OF PUMP _____ OPTIONS _____

*After 1st
2nd
3rd make
Dec 17/89
5 made*

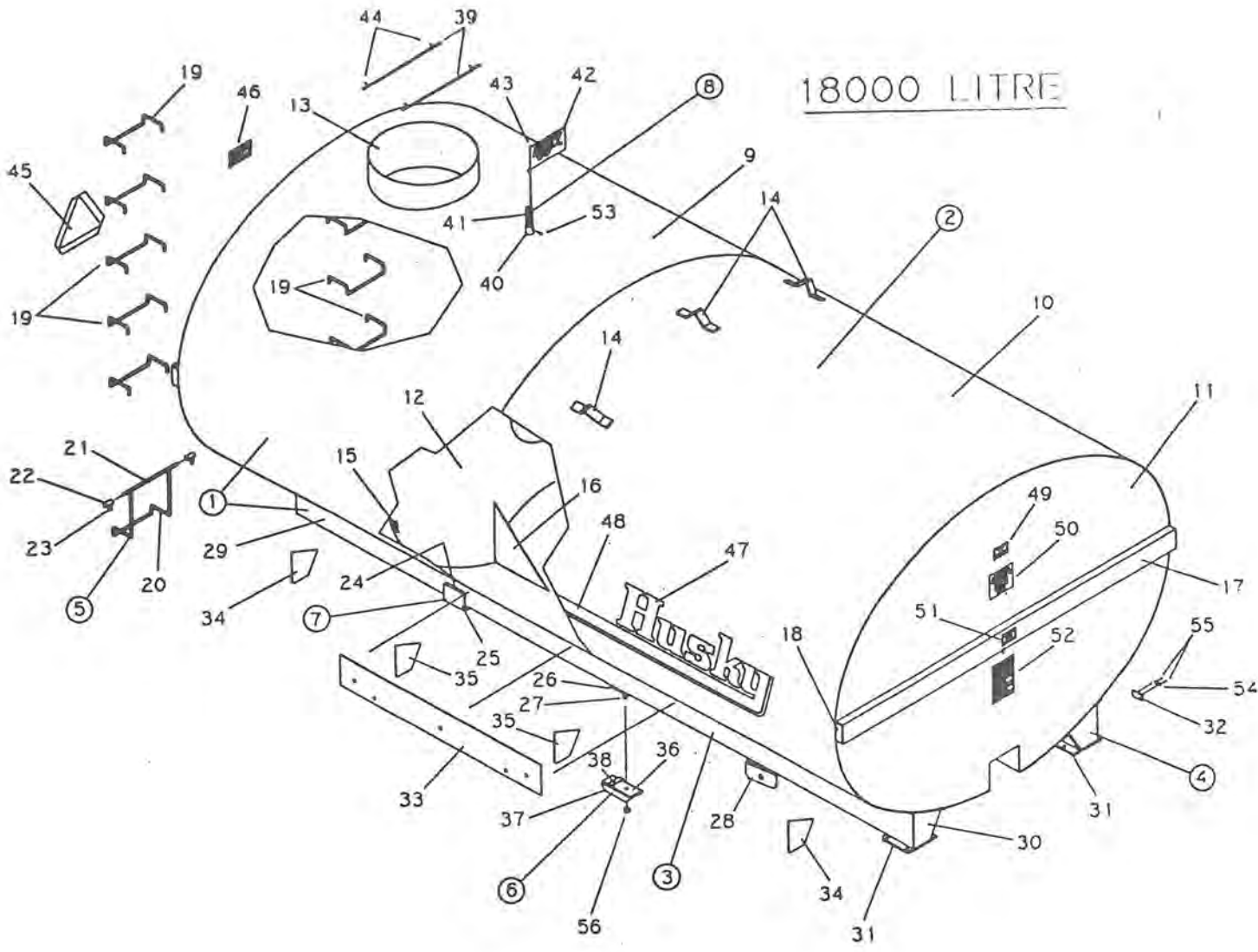
PLEASE NOTE:

The key number system in this parts book is arranged as follows:

- 0 --Key number with one circle denotes main assemblies
- Key numbers not circled are individual parts

Please order parts by number

**18000 LITRE
MODEL 'E'
HUSKY LIQUID MANURE SPREADER**



KEY	PART NUMBER	DESCRIPTION	QTY
1	358-31-00-000	18000L TANK & SILL ASSY	1
2	340-01-01-000	18000L TANK ASSY	1
3	340-01-02-000	R.H. SILL ASSY	1
4	340-01-03-000	L.H. SILL ASSY	1

5	364-02-19-000	LADDER BOTTOM RUNG ASSY	1
6	340-41-00-000	CLAMPING BRACKET ASSY	2
7	340-01-20-000	AXLE REAR STOP ASSY	2
8	340-62-00-000	HUSKY FLAG KIT	1

9	340-01-01-301	TANK SHELL	1
10	340-01-01-373	TANK SHELL	1
11	340-01-01-300	TANK ENDS	2
12	340-01-01-302	BAFFLE	2

TANK ASSY

<u>KEY</u>	<u>PART NUMBER</u>	<u>DESCRIPTION</u>	<u>QTY</u>
13	364-02-00-003	MANHOLE	1
14	300-01-00-012	LIFT HOOK	3
15	300-01-00-016	BAFFLE BRACKET	16
16	340-01-01-459	BAFFLE GUSSET	8

17	340-01-06-312	TANK END STIFFENER	2
18	340-01-06-464	STIFFENER CAP	4
19	364-02-00-008	LADDER RUNG	9
20	364-02-19-151	LADDER BOTTOM RUNG	1

21	364-02-19-152	LADDER TOP PIECE	1
22	364-02-00-153	LADDER BRACKET	2
23	364-02-00-154	LADDER SHIM	2
24	340-01-20-446	AXLE REAR INNER STOP	2

25	340-01-20-447	AXLE REAR OUTER SUPPORT	2
26	340-01-00-445	FRONT SPACER	2
27	300-00-00-448	SCRAPER BLADE BOLT	2
28	315-31-00-115	TONGUE 'U' PIECE	2

29	340-01-02-303	SILL	2
30	340-01-06-311	SILL CAP	4
31	340-01-07-460	TANK SUPPORT HOLD DOWN BRACKET	2
32	340-01-00-498	SERIAL NUMBER PLATE	1

33	340-01-02-304	SILL REINFORCING	2
34	340-01-02-305	END SILL STIFFENERS	4
35	340-01-02-306	CENTER SILL STIFFENERS	4
36	340-41-00-442	CLAMPING BRACKET	2

37	340-41-00-443	CLAMPING BRACKET GUSSET	4
38	340-41-00-444	FILLER BAR	2
39	364-00-00-155	MANHOLE SAFETY BARS	2
40	340-00-00-536	FLAG SPRING HOLDER	1

41	R08037	FLAG SPRING	1
42	R07935	HUSKY FLAG	1
43	R21371	PLASTIC TIP	1
44	R08021	1/8" X 1" S.S. COTTER PIN	4

45	R09501	SLOW MOVING VEHICLE SIGN	1
46	R09784	"DANGER - TOXIC GAS..." DECAL	1
47	R09510	"HUSKY" DECAL	2
48	R09511	ACCENT STRIPE	2

49	R09509	"MADE IN CANADA" DECAL	1
50	R09730	"TIRE PRESSURE" DECAL	1
51	R09512	CAPACITY STICKER	1
52	R09783	"CAUTION" DECAL	1

53	R07926	5/16-18 X 1/4 S.S. SET SCREW	1
54	R09071	SERIAL NUMBER	1
55	R08162	TYPE 'U' DRIVE SCREW 4 X 1/4	2
56	R07878	3/8" NYLON INSERT NUT	2

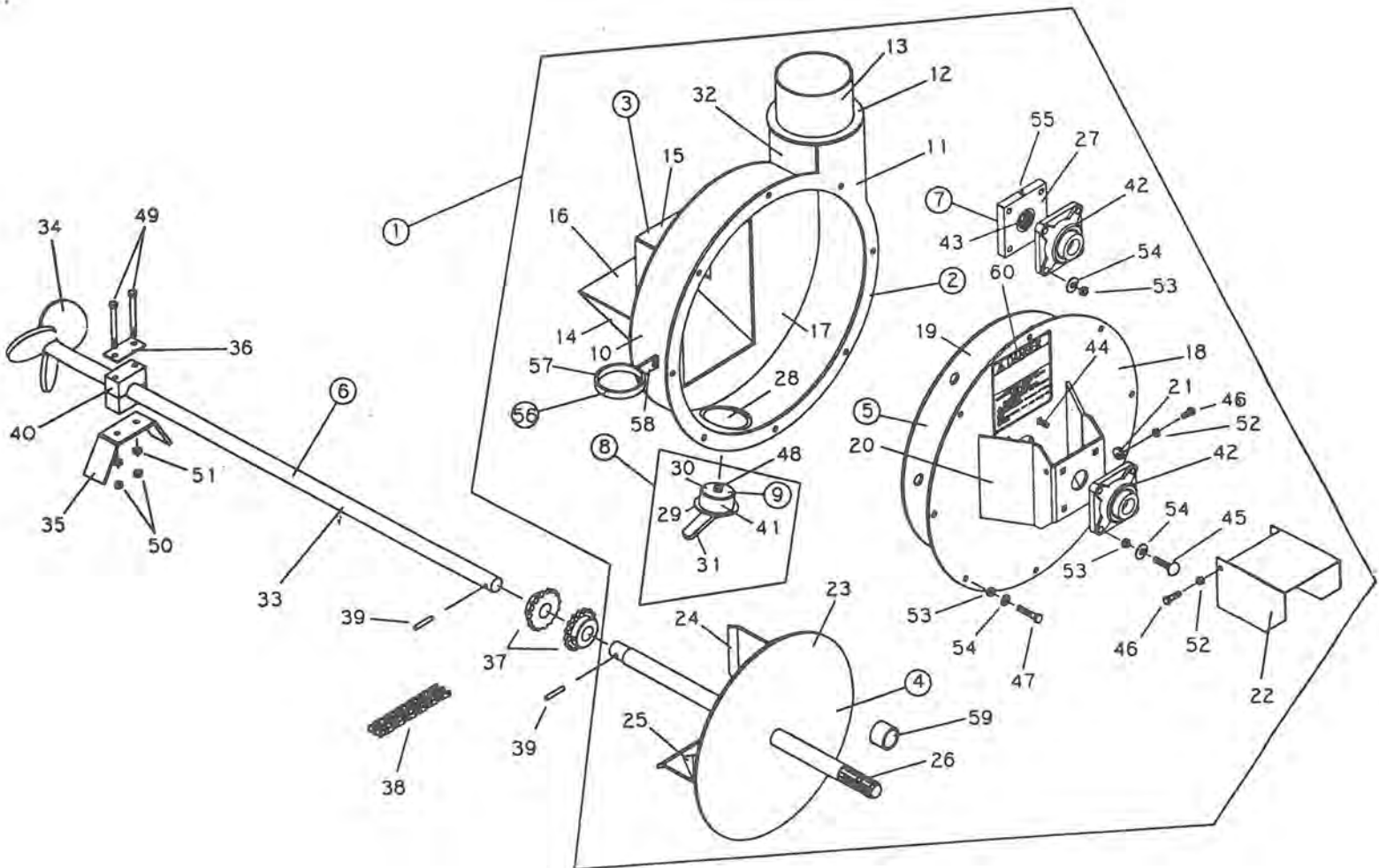
KEY	PART NUMBER	DESCRIPTION	QTY
1	364-23-00-000	MODEL 'E' FAN & HOUSING KIT	1
2	364-01-03-000	FAN HOUSING ASSY	1
3	364-01-15-000	HOUSING BACK PLATE ASSY	1
4	364-03-00-000	FAN ASSY - 540 RPM	1

	364-39-00-000	FAN ASSY - 1000 RPM	*
5	364-04-00-000	FAN HOUSING COVER ASSY	1
6	364-22-00-000	AGITATOR ASSY	1
7	364-24-00-000	DOUBLE SEAL & PLATE KIT	1

8	364-40-00-000	DRAIN PLUG KIT	1
9	364-34-00-000	BOLT & WASHER ASSY	1
10	364-01-03-018	HOUSING BAND	1
11	364-01-03-019	HOUSING FLANGE	1

12	364-01-03-062	DISCHARGE RING	1
13	364-01-03-063	DISCHARGE TUBE	1
14	364-01-03-103	OUTLET SIDE PIECE	2
15	364-01-03-104	OUTLET TOP PIECE	1

16	364-01-03-105	OUTLET BOTTOM PIECE	1
17	364-01-03-106	HOUSING BACK PLATE	1
18	364-04-00-026	HOUSING COVER PLATE	1
19	364-04-00-027	COVER PLATE SUPPORT	1



FAN & HOUSING ASSY

KEY	PART NUMBER	DESCRIPTION	QTY
20	364-04-00-028	OUTER BEARING MOUNT	1
21	364-00-00-090	FLIP GUARD STOP	1
22	364-00-00-029	FLIP GUARD	1
23	364-03-00-022	FAN BACK PLATE	1

24	364-03-00-023	FAN BLADE - 540 RPM	4
	364-39-00-130	FAN BLADE - 1000 RPM	4
25	364-03-00-024	FAN BLADE GUSSET	4
26	364-03-00-089	FAN SHAFT	1

27	364-00-00-086	DOUBLE SEAL KIT	1
28	364-01-03-110	DRAIN PIPE	1
29	364-00-00-112	LARGE GALVANIZED WASHER	1
30	364-00-00-113	SMALL GALVANIZED WASHER	1

31	364-00-00-114	HANDLE	1
32	364-01-03-081	FAN HOUSING VERTICAL PIECE	1
33	364-22-00-074	AGITATOR SHAFT	1
34	364-22-00-075	AGITATOR BLADE	3

35	364-00-00-077	BEARING HOLDER	1
36	300-00-00-062	BEARING PLATE	1
37	364-00-00-085	#50-16 COUPLER SPROCKET	2
38	R20885	#50-2 COUPLER CHAIN	1

39	R07952	5/16 X 2 ROLL PIN	2
40	R20228	1-1/4 WOOD BEARING	1
41	R20281	URETHANE PLUG	1
42	R20185	1-3/8 FLANGE BEARING	2

43	R21183	SEAL	2
44	R07735	7/16 X 2-1/2 CARRIAGE BOLT	4
45	R07734	7/16 X 2 CARRIAGE BOLT	4
46	R07619	3/8 X 1 HEX BOLT	3

47	R07677	7/16 X 1-1/4 HEX BOLT	8
48	R08236	3/8 X 2 S.S. HEX BOLT	1
49	R07625	3/8 X 4 HEX BOLT	2
50	R07783	3/8 HEX NUT	2

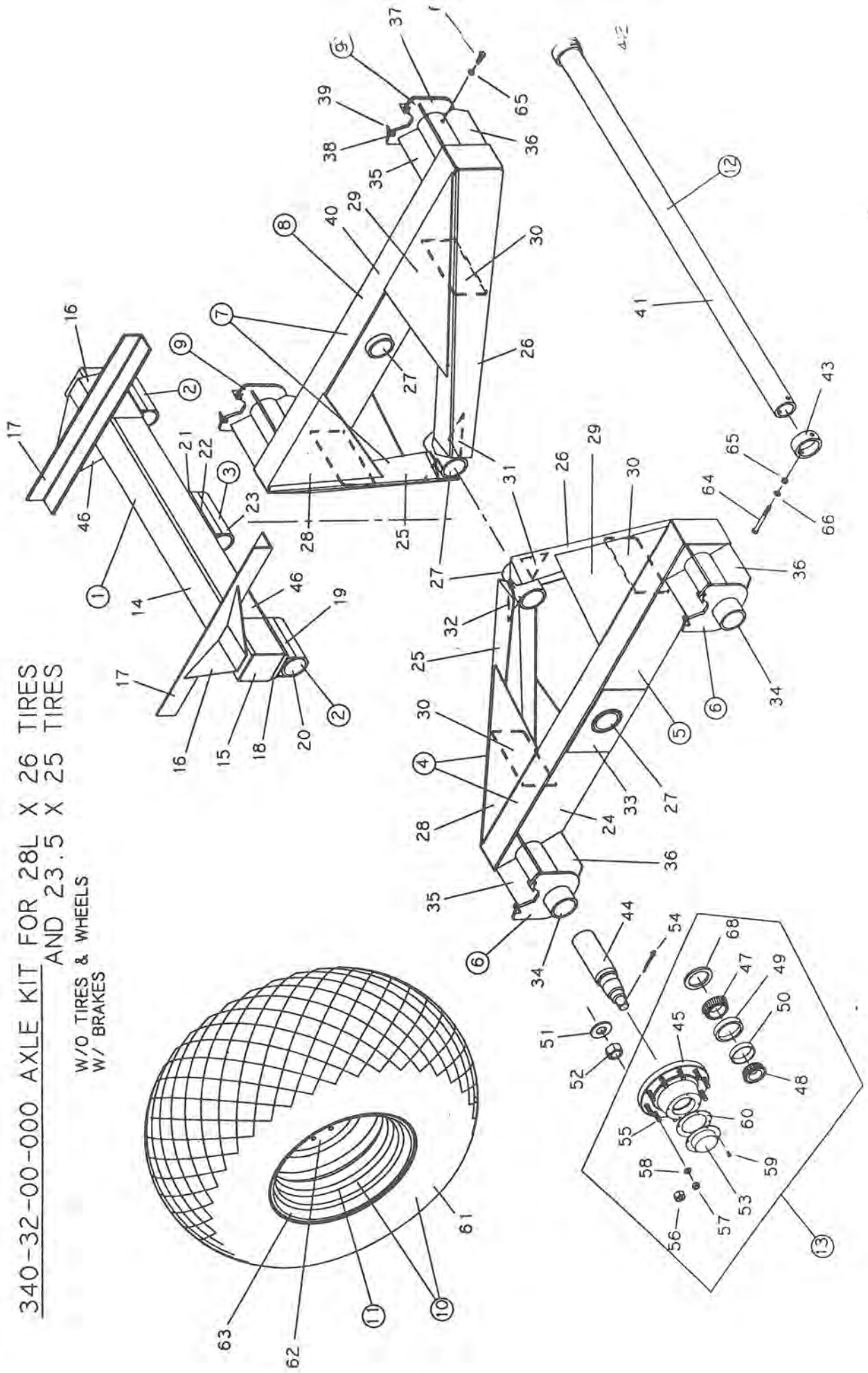
51	R07803	3/8 LOCK WASHER	2
52	R07886	3/8 LOCK NUT	3
53	R07784	7/16 HEX NUT	16
54	R07804	7/16 LOCK WASHER	16

55	R08183	1/4-28 UNF GREASE FITTING	1
56	364-41-00-000	PTO HOLDER ASSY	1
57	364-41-00-132	PTO HOLDER	1
58	364-41-00-133	PTO HOLDER BRACKET	1

59	364-00-00-134	PTO SPACER	1
60	R09785	"DANGER" DECAL	1

340-32-00-000 AXLE KIT FOR 28L X 26 TIRES
AND 23.5 X 25 TIRES

W/O TIRES & WHEELS
W/ BRAKES



AXLE KIT FOR 28L X 26 TIRES & 23.5 X 25 TIRES

KEY	PART NUMBER	DESCRIPTION	QTY
1	340-11-00-000	BASE FRAME ASSY	1
2	340-07-08-000	STATIONARY SLEEVE ASSY	2
3	340-11-28-000	CENTRE SLEEVE ASSY	1
4	340-12-00-000	R.H. TANDEM SIDE ASSY	1

5	340-12-30-000	R.H. WALKING BEAM ASSY	1
6	340-08-10-000	R.H. CALIPER MOUNTING PLATE ASSY	2
7	340-13-00-000	L.H. TANDEM SIDE ARM ASSY	1
8	340-13-31-000	L.H. WALKING BEAM ASSY	2

9	340-09-29-000	L.H. CALIPER MOUNTING ASSY	4
10	330-04-00-000	28L X 26 TIRE, TUBE & WHEEL ASSY	4
	340-18-00-000	23.5L X 25 TIRE, TUBE & WHEEL ASSY	*
11	330-04-43-000	WHEEL ASSY FOR 28L TIRE	4

	340-18-24-000	WHEEL ASSY FOR 23.5L TIRE	*
12	340-63-00-000	AXLE TUBE ASSY	1
13	340-43-00-000	10 BOLT HUB COMPLETE ASSY	4
14	340-11-00-353	CROSS AXLE SUPPORT	1

15	340-07-00-329	COVER PLATE	2
16	340-11-00-354	REINFORCING PLATE	2
17	340-35-00-131	SILL ANGLE PLATE	2
18	340-07-00-324	SPACER	2

19	340-07-08-323	SIDE SLEEVE CHANNEL	2
20	340-07-08-322	STATIONERY SLEEVE	2
21	340-11-00-519	SPACER	1
22	340-11-28-517	CENTRE SLEEVE CHANNEL	1

23	340-11-28-518	CENTRE SLEEVE	1
24	340-12-00-355	R.H. WALKING BEAM	1
25	340-13-00-358	TANDEM SIDE ARM - SHORT	2
26	340-12-00-359	TANDEM SIDE ARM - LONG	2

27	340-08-00-341	ROCKER SLEEVE	4
28	340-12-00-529	WALKING BEAM GUSSET - REAR	4
29	340-12-00-530	WALKING BEAM GUSSET - FRONT	4
30	340-12-00-360	VERTICAL BRACE	2

31	340-12-00-362	TANDEM GUSSET - FRONT	2
32	340-12-00-361	TANDEM GUSSET - REAR	2
33	340-12-30-533	ROCKER SLEEVE REINFORCING PLATE	2
34	340-12-00-357	SPINDLE SLEEVE	4

35	340-12-30-531	SPINDLE SLEEVE GUSSET - UPPER	8
36	340-12-30-532	SPINDLE SLEEVE GUSSET - LOWER	8
37	340-08-10-332	CALIPER MOUNTING PLATE	4
38	340-08-10-333	CALIPER PLATE STOP	8

39	340-08-10-334	CALIPER PLATE SUPPORT	8
40	340-13-00-356	L.H. WALKING BEAM	1
41	340-63-00-537	MAIN AXLE TUBE	1
42	340-63-00-538	STOP RING	1

<u>KEY</u>	<u>PART NUMBER</u>	<u>DESCRIPTION</u>	<u>QTY</u>
43	340-00-00-346	RETAINING RING	1
44	340-00-00-347	SPINDLE	4
45	340-43-00-451	10 BOLT HUB W/ CUPS 16000LB	4
46	340-07-00-330	DOUBLE GUSSET	4

47	R20086	INNER CONE	4
48	R20087	OUTER CONE	4
49	R20088	INNER CUP	4
50	R20089	OUTER CUP	4

51	R20091	SPINDLE WASHER 1-11/16	4
52	R20092	SPINDLE NUT 1-3/4-12 UNF	4
53	R20093	DUST CAP	4
54	R20095	COTTER PIN 5/16 X 4	4

55	R20096	WHEEL BOLTS	40
56	R20097	3/4" SPH-RAD WHEEL NUT	40
57	R07820	3/4-16 UNF FEDALLOY HEX NUT	*
58	R07834	3/4 FEDALLOY FLAT WASHER	*

59	R07690	DUST CAP BOLT 5/16 X 5/8	16
60	R20084	DUST CAP GASKET	4
61	R20015	28L X 26 TIRE & TUBE	4
	R20012	23.5L X 25 TIRE	*

62	R20052	CENTRE DISC FOR 28L X 26 WHEEL	4
	R20055	CENTRE DISC FOR 23.5L X 25 TIRE	*
63	R20053	RIM FOR 28L X 26 TIRE	4
	R20060	RIM FOR 23.5L X 25 TIRE	*

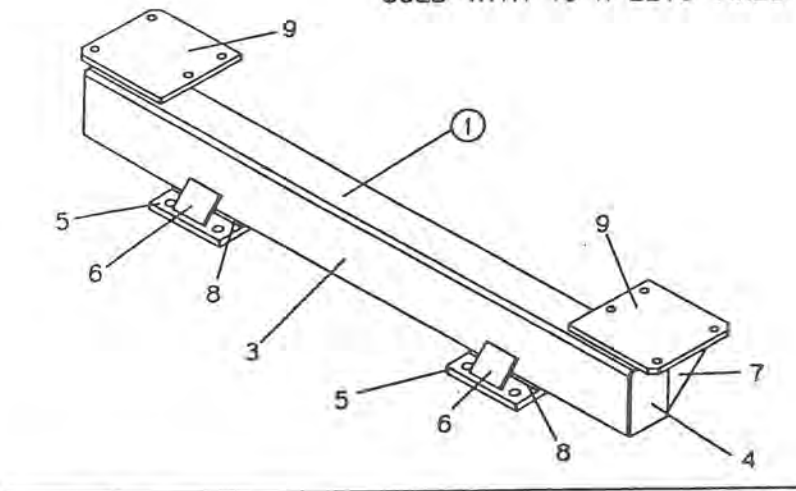
64	R07653	5/8 X 6 HEX BOLT	1
65	R07786	5/8 HEX NUT	9
66	R07806	5/8 LOCK WASHER	1
67	R07927	5/8 X 1-1/2 SQ.HD. SET SCREW	8

68	R20085	SEAL	4

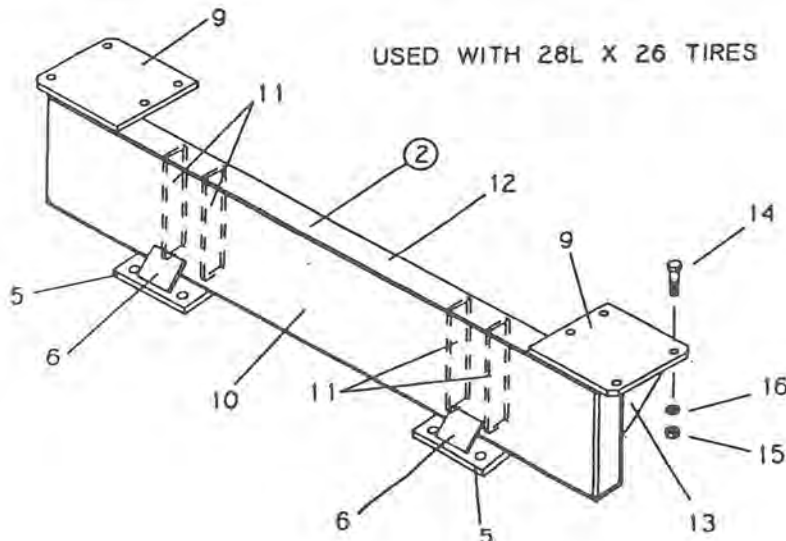
TONGUE CROSS SUPPORT

KEY	PART NUMBER	DESCRIPTION	QTY
1	358-45-00-000	CROSS MEMBER ASSY	1
2	340-01-17-000	CROSS MEMBER ASSY	*
3	358-45-00-146	CROSS MEMBER - 18 X 22.5 TIRES	1
4	358-45-00-147	END CAP	2
<hr/>			
5	358-45-00-148	TONGUE STRAP	2
6	364-02-17-123	TONGUE STRAP GUSSET	2
7	358-45-00-149	GUSSET	2
8	358-45-00-150	FILLER ROD	2
<hr/>			
9	340-01-07-460	TANK SUPPORT HOLD DOWN BRACKET	2
10	340-01-17-417	TANK SUPPORT COVER	1
11	340-01-17-418	TANK SUPPORT INSIDE BRACE	4
12	340-01-17-419	TANK SUPPORT 28L X 26 TIRES	1
<hr/>			
13	315-31-00-116	DOUBLE GUSSET	2
14	R07647	5/8 X 2 HEX BOLT	8
15	R07786	5/8 HEX NUT	8
16	R07806	5/8 LOCK WASHER	8

USED WITH 18 X 22.5 TIRES

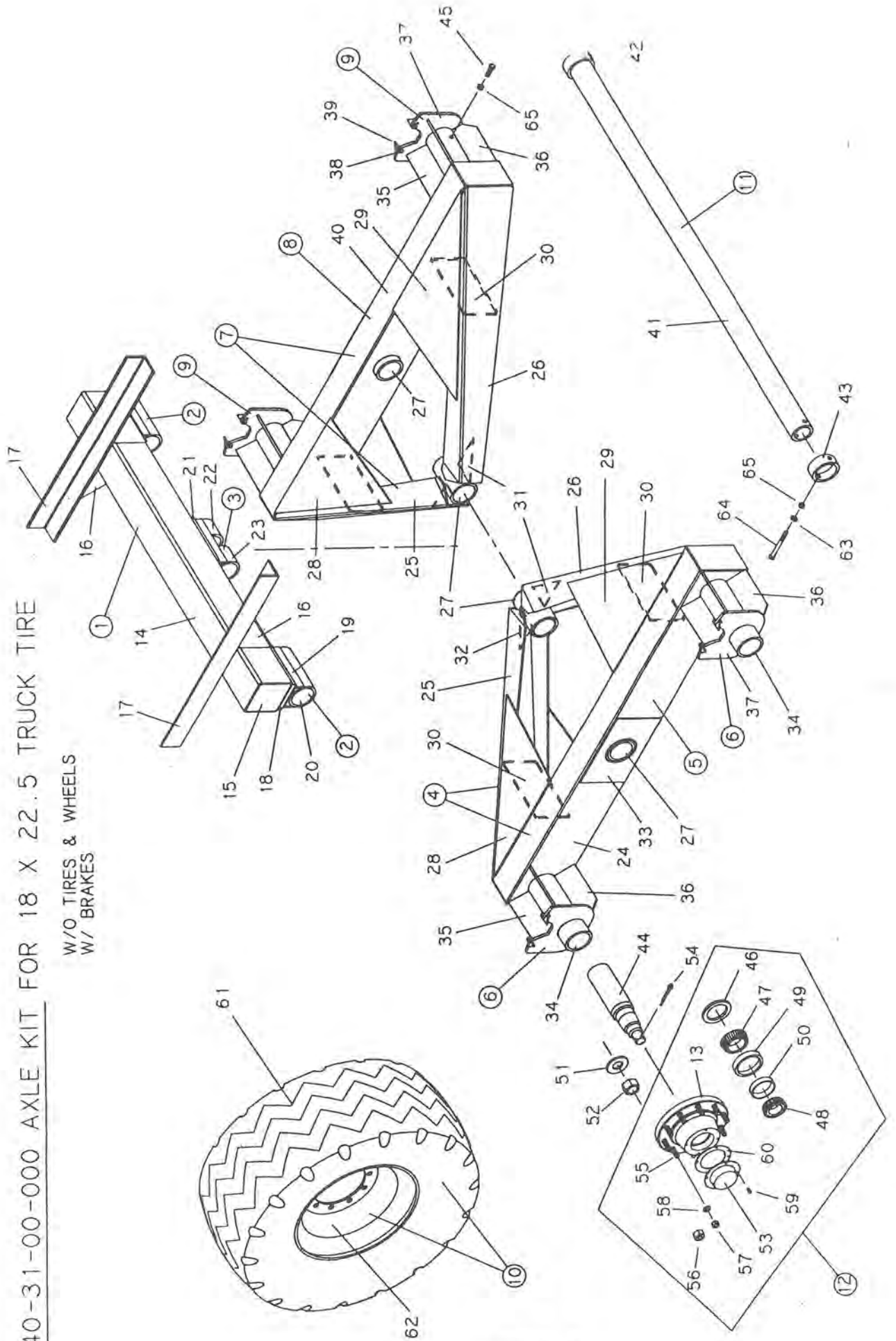


USED WITH 28L X 26 TIRES



340-31-00-000 AXLE KIT FOR 18 X 22.5 TRUCK TIRE

W/O TIRES & WHEELS
W/ BRAKES



AXLE KIT FOR 18 X 22.5 TRUCK TIRE

<u>KEY</u>	<u>PART NUMBER</u>	<u>DESCRIPTION</u>	<u>QTY</u>
1	340-07-00-000	BASE FRAME ASSY	1
2	340-07-08-000	STATIONARY SLEEVE ASSY	2
3	340-07-09-000	CENTRE SLEEVE ASSY	1
4	340-08-00-000	R.H. TANDEM SIDE ASSY	1

5	340-08-32-000	R.H. WALKING BEAM ASSY	1
6	340-08-10-000	R.H. CALIPER MOUNTING PLATE	2
7	340-09-00-000	L.H. TANDEM SIDE ASSY	1
8	340-09-33-000	L.H. WALKING BEAM ASSY	1

9	340-09-29-000	L.H. CALIPER MOUNTING PLATE	2
10	340-19-00-000	TIRE & WHEEL ASSY - 18 X 22.5	4
11	340-64-00-000	MAIN AXLE TUBE ASSY	1
12	340-43-00-000	10 BOLT HUB COMPLETE	4

13	340-43-00-451	10 BOLT HUB W/ CUPS - 16000LB	4
14	340-07-00-328	CROSS AXLE SUPPORT	1
15	340-07-00-329	COVER PLATE	2
16	340-07-00-330	DOUBLE GUSSET	4

17	315-35-00-131	SILL ANGLE PLATE	2
18	340-07-00-324	SPACER	2
19	340-07-08-323	SIDE SLEEVE CHANNEL	2
20	340-07-08-322	STATIONARY SLEEVE	2

21	340-07-00-327	CENTRE SLEEVE SPACER	1
22	340-07-09-326	CENTRE SLEEVE CHANNEL	1
23	340-07-09-325	CENTRE SLEEVE	2
24	340-08-00-335	R.H. WALKING BEAM	1

25	340-08-00-338	TANDEM SIDE ARM - REAR	2
26	340-08-00-337	TANDEM SIDE ARM - FRONT	2
27	340-08-00-341	ROCKER SLEEVE	4
28	340-08-00-527	WALKING BEAM GUSSET - REAR	4

29	340-08-00-528	WALKING BEAM GUSSET - FRONT	4
30	340-08-00-344	VERTICAL BRACE	4
31	340-08-00-339	L.H. TANDEM GUSSET	2
32	340-08-00-340	R.H. TANDEM GUSSET	2

33	340-12-03-533	ROCKER SLEEVE REINFORCING PLATE	2
34	340-08-00-342	SPINDLE SLEEVE	4
35	340-08-32-534	SPINDLE SLEEVE GUSSET - UPPER	8
36	340-08-32-535	SPINDLE SLEEVE GUSSET - LOWER	8

37	340-08-10-332	CALIPER MOUNTING PLATE	4
38	340-08-10-333	CALIPER PLATE STOP	8
39	340-08-10-334	CALIPER PLATE SUPPORT	8
40	340-09-00-336	L.H. WALKING BEAM	1

41	340-64-00-539	MAIN AXLE TUBE	1
42	340-63-00-538	STOP RING	1
43	340-00-00-346	RETAINING RING	1
44	340-00-00-347	TANDEM SPINDLE	4

<u>KEY</u>	<u>PART NUMBER</u>	<u>DESCRIPTION</u>	<u>QTY</u>
45	R07927	5/8 X 1-1/2 SQ.HD. SET SCREW	8
46	R20083	SEAL	4
47	R20086	INNER CONE	4
48	R20087	OUTER CONE	4

49	R20088	INNER CUP	4
50	R20089	OUTER CUP	4
51	R20091	SPINDLE WASHER 1-13/16"	4
52	R20092	SPINDLE NUT 1-3/4-12 UNF	4

53	R20093	DUST CAP	4
54	R20095	COTTER PIN 5/16" X 4"	4
55	R20096	WHEEL BOLTS	40
56	R20097	WHEEL NUTS 3/4" SPA-RAD	40

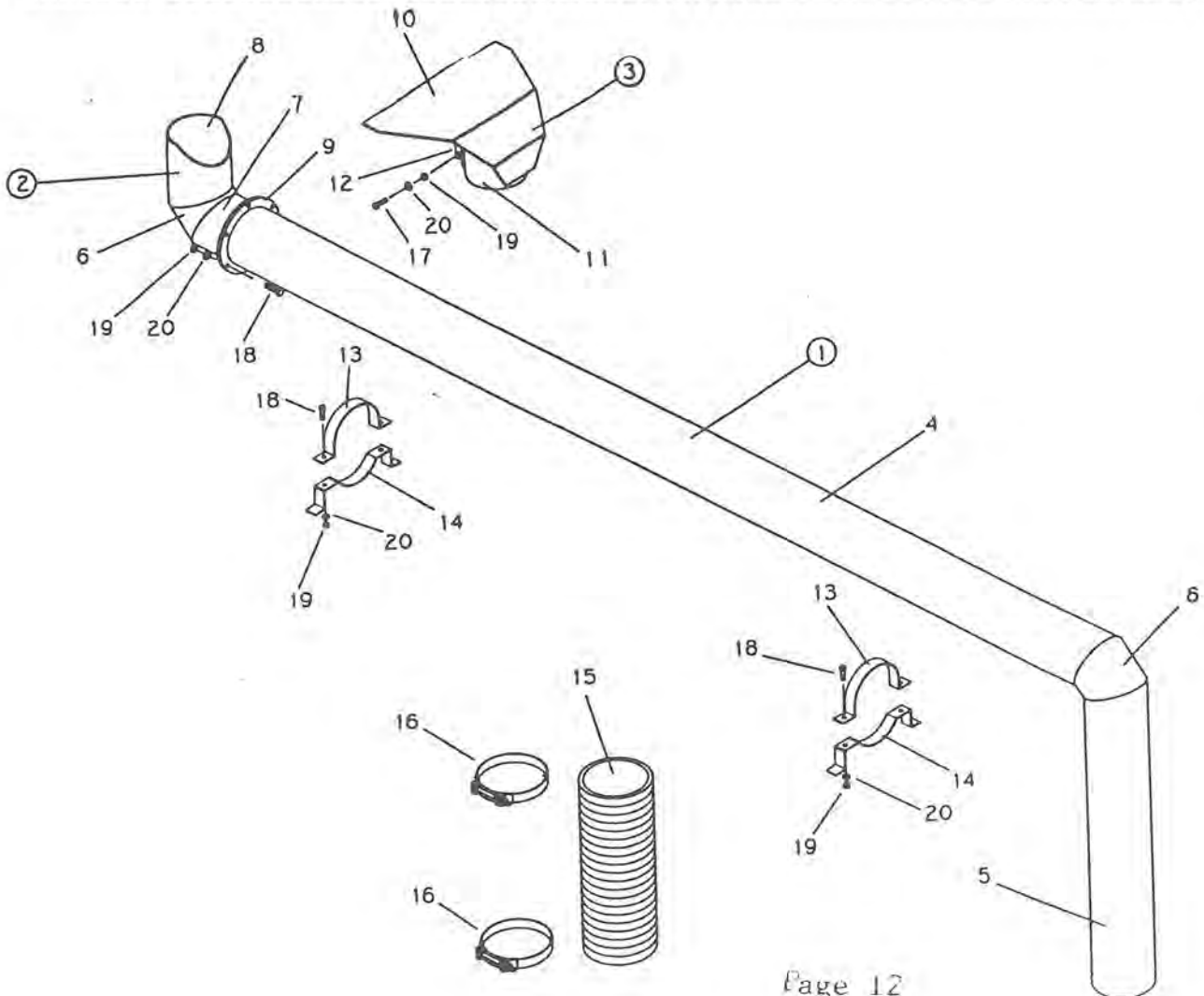
57	R07820	3/4-16 UNF FEDALLOY HEX NUT	*
58	R07834	3/4 FEDALLOY FLAT WASHER	*
59	R07690	DUST CAP BOLT 5/16 X 5/8	16
60	R20084	DUST CAP GASKET	4

61	R20011	USED 18 X 22.5 TRUCK TIRE	4
62	R20059	13.5 X 22.5 RIM - 10 BOLT	4
63	R07806	5/8 LOCK WASHER	1
64	R07653	5/8 X 6 HEX BOLT	1

65	R07786	5/8 HEX NUT	9

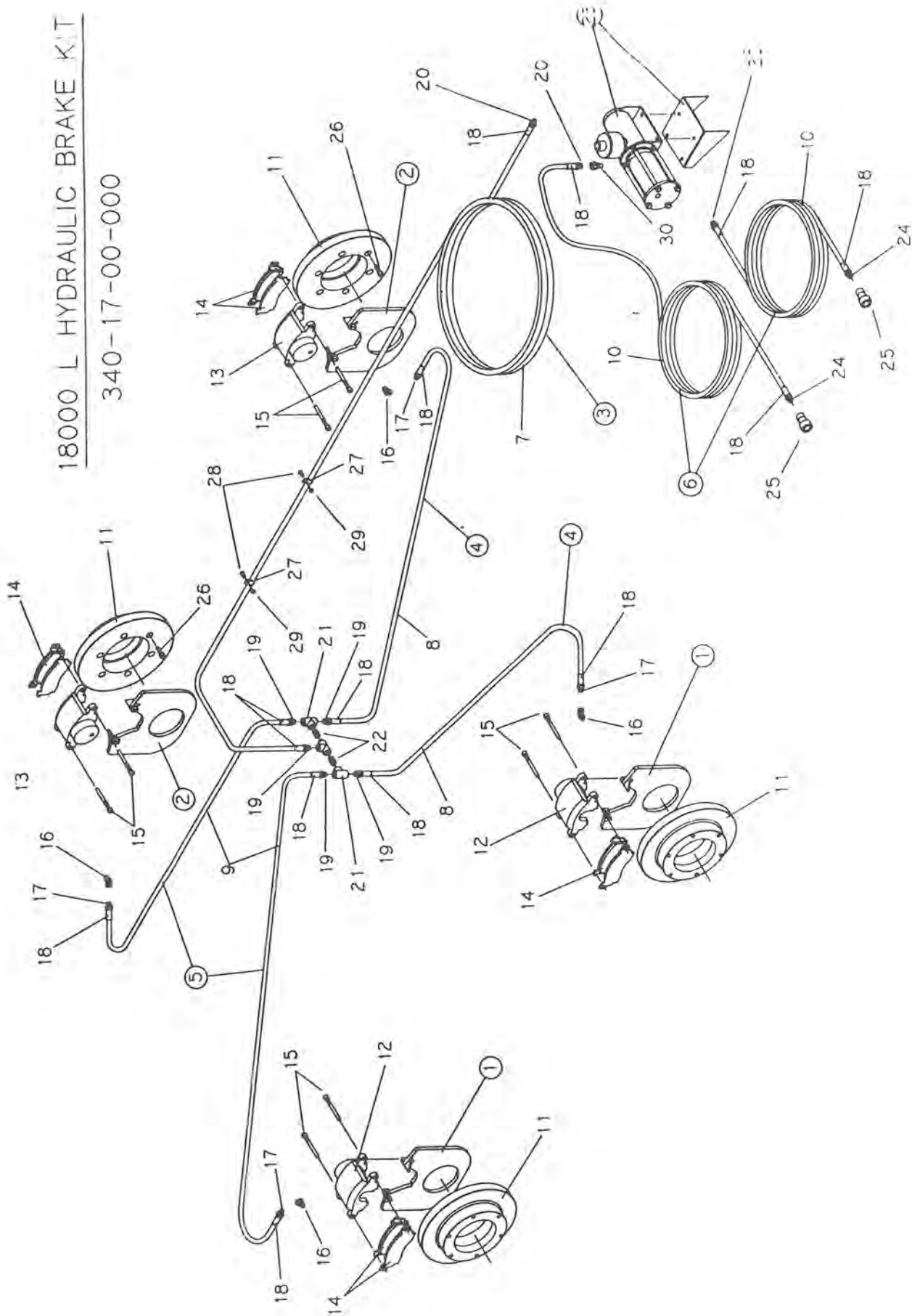
DISCHARGE PIPE

KEY	PART NUMBER	DESCRIPTION	QTY
1	358-32-00-000	DISCHARGE PIPE ASSY - 18000L	1
2	364-25-00-000	DISCHARGE PIPE END SECTION	1
3	364-21-00-000	SPLASH PLATE ASSY	1
4	359-30-00-108	HORIZONTAL DISCHARGE PIPE	1
<hr/>			
5	359-32-00-109	VERTICAL DISCHARGE PIPE	1
6	364-19-00-082	DISCHARGE PIPE CORNER PIECE	2
7	364-25-00-088	DISCHARGE PIPE FLANGE PIECE	1
8	364-25-00-067	DISCHARGE PIPE END PIECE	1
<hr/>			
9	364-19-00-087	DISCHARGE PIPE FLANGE	2
10	364-21-00-069	SPLASH PLATE	1
11	364-21-00-070	CLAMPING TUBE	1
12	364-21-00-071	CLAMPING TUBE BRACKET	2
<hr/>			
13	364-00-00-083	DISCHARGE CLAMP UPPER PIECE	2
14	364-00-00-084	DISCHARGE CLAMP BASE PIECE	2
15	364-00-00-066	FLEX HOSE	1
16	R02482	6" CLAMP	2
<hr/>			
17	R07622	3/8 X 2-1/2 HEX BOLT	2
18	R07675	3/8 X 1-1/4 HEX BOLT	10
19	R07783	3/8 HEX NUT	12
20	R07803	3/8 LOCK WASHER	12



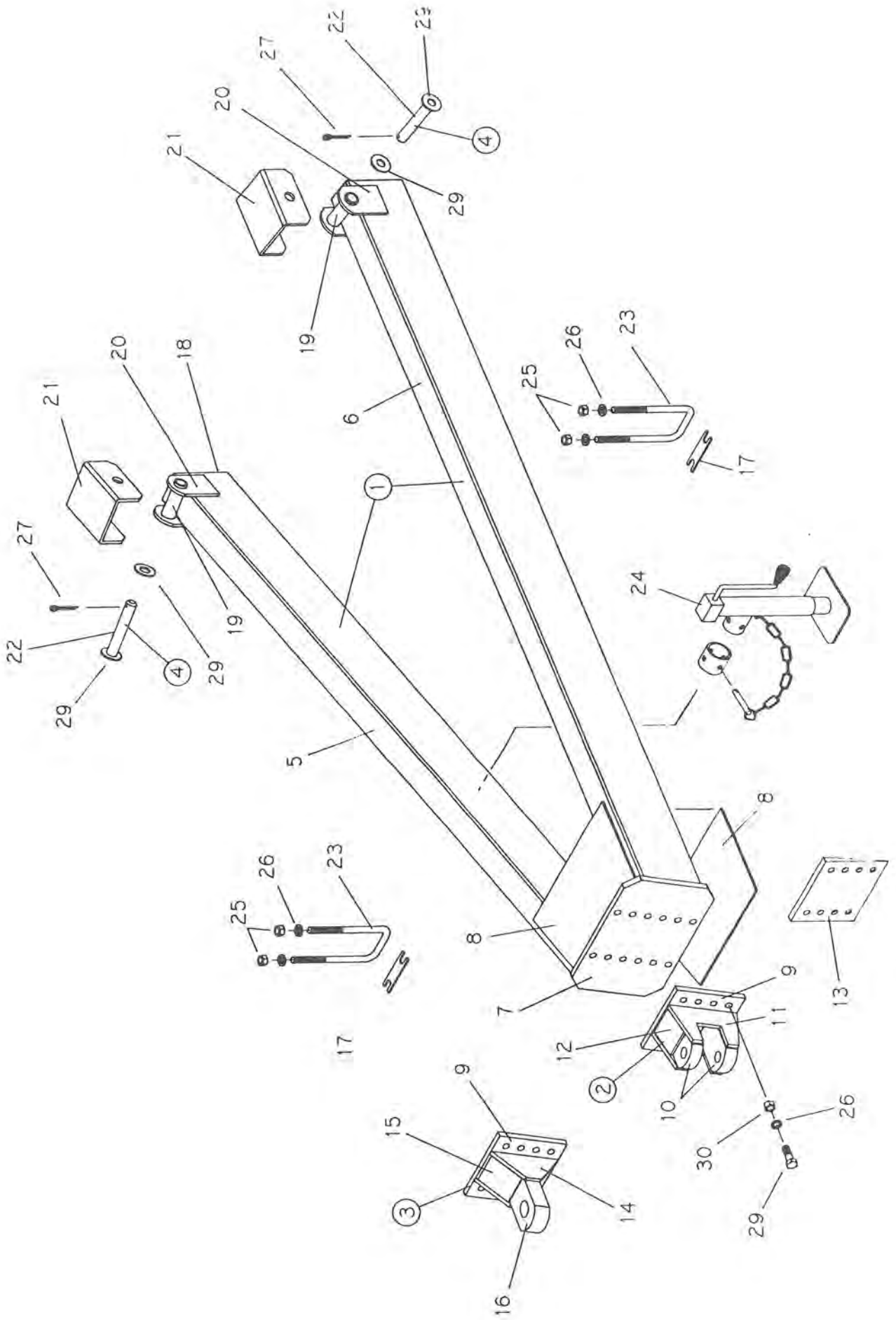
18000 L HYDRAULIC BRAKE K'IT

340-17-00-000



HYDRAULIC BRAKE KIT

KEY	PART NUMBER	DESCRIPTION	QTY
1	340-08-10-000	CALIPER MOUNTING PLATE ASSY - R.H.	2
2	340-09-29-000	CALIPER MOUNTING PLATE ASSY - L.H.	2
3	340-17-38-000	HYD. BRAKE HOSE ASSY - MAIN LINE	1
4	340-17-13-000	HYD. BRAKE HOSE ASSY - FRONT 18X22.5	2
<hr/>			
	340-17-15-000	HYD. BRAKE HOSE ASSY - FRONT 28LX26	*
5	340-17-14-000	HYD. BRAKE HOSE ASSY - REAR 18X22.5	2
	340-17-16-000	HYD. BRAKE HOSE ASSY - REAR 28LX26	*
6	340-17-39-000	HYD. HOSE ASSY	2
<hr/>			
7	340-17-38-544	HYD. HOSE - MAIN LINE	1
8	340-17-13-368	HYD. HOSE - FRONT 18X22.5	2
	340-17-15-390	HYD. HOSE - FRONT 28LX26	*
9	340-17-14-369	HYD. HOSE - REAR 18X22.5	2
<hr/>			
	340-17-16-391	HYD. HOSE - REAR 28LX26	*
10	340-17-39-545	HYD. HOSE	2
11	R20098	CAST DISC BRAKE	4
12	R21065	R.H. BRAKE CALIPER TC500	2
<hr/>			
13	R21066	L.H. BRAKE CALIPER TC501	2
14	R21067	BRAKE PADS (PAIR)	4
15	R21070	GUIDE PINS	8
16	R21308	45' 7/16 SAE X 1/4 NPT ADAPTOR	4
<hr/>			
17	R20807	1/4-18 NPT SOLID MALE STEM	4
18	R21231	STEEL FERRULE (1/4" HOSE)	14
19	R20806	3/8-18 NPT SWIVEL MALE STEM	4
20	R20803	3/8-18 NPT SOLID MALE STEM	3
<hr/>			
21	R02162	3/8 PIPE TEE	3
22	R02122	3/8 PIPE NIPPLE	2
23	312-06-00-000	MASTER CYLINDER KIT	1
24	R20804	1/2-14 NPT SOLID MALE STEM	2
<hr/>			
25	R21342	PIONEER COUPLER	2
26	R07871	1/2-20 X 3 SOCKET HD. CAP SCREW	24
27	R21104	HYD. HOSE CLIPS	12
28	R07694	5/16 X 1/2 HEX BOLT	12
<hr/>			
29	R07782	5/16 HEX NUT	12
30	R21287	1/4M X 3/8F STRAIGHT SWIVEL ADAPTOR	1



TONGUE ASSY

<u>KEY</u>	<u>PART NUMBER</u>	<u>DESCRIPTION</u>	<u>QTY</u>
1	358-42-00-000	TONGUE ASSY - 18000L	1
2	358-43-00-000	STANDARD HITCH ASSY	1
3	358-44-00-000	SINGLE POINT HITCH ASSY	*
4	315-39-00-000	LOCK PIN ASSY	2

5	358-42-00-135	R.H. TONGUE TUBE	1
6	358-42-00-136	L.H. TONGUE TUBE	1
7	358-42-00-137	HITCH BOLT PLATE	1
8	358-42-00-138	TONGUE TUBE GUSSET	2

9	358-43-00-139	HITCH BACK PLATE	2
10	358-43-00-140	HITCH PLATE	2
11	358-43-00-141	HITCH SIDE GUSSET	2
12	358-43-00-142	HITCH UPPER GUSSET	2

13	358-00-00-143	WEDGE PLATE	*
14	358-44-00-144	SIDE GUSSET	2
15	358-44-00-145	TOP GUSSET	2
16	364-26-00-091	SINGLE POINT HITCH	1

17	364-00-00-131	'U' BOLT SPACER	2
18	315-36-00-147	TONGUE TUBE END CAP	2
19	315-36-00-145	BUSHING	2
20	315-36-00-146	SIDE PIECE	4

21	315-31-00-115	TONGUE 'U' PIECE	2
22	315-39-00-155	LOCK PIN	2
23	R08172	3/4 NF X 10" 'U' BOLT	2
24	R09751	7000LB SIDE WIDE JACK	1

25	R07820	3/4" NF HEX NUT	4
26	R07807	3/4" LOCK WASHER	12
27	R08016	1/4 X 2 COTTER PIN	2
28	R07828	1" FLAT WASHER	4

29	R07655	3/4 X 2 1/2 HEX BOLT	8
30	R07787	3/4" UNC HEX NUT	8

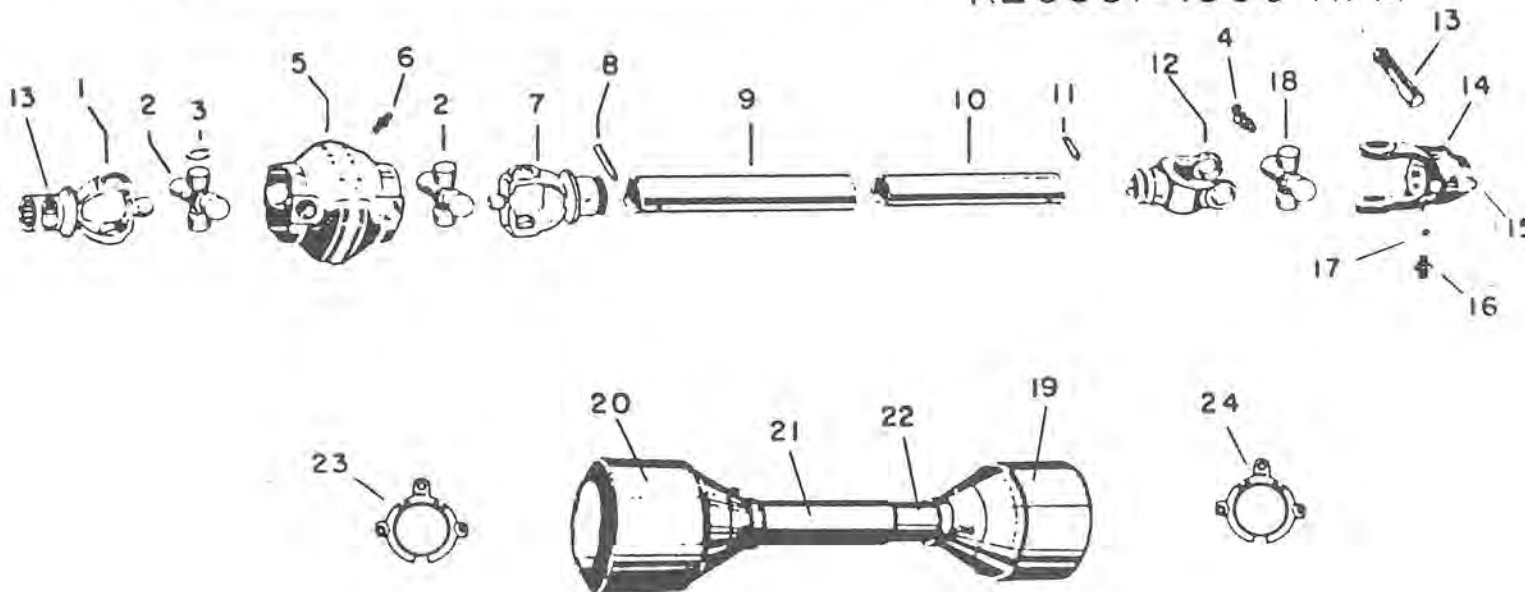
SERIES 4 CV JOINT PTO

R20299 540 RPM
R20301 - 1000 RPM

KEY	PART NUMBER	DESCRIPTION	QTY
1	R21464	OUTER YOKE W/QD PIN 1 3/8 6T 540RPM	1
	R21465	OUTER YOKE W/QD PIN 1 3/8 21T 1000RPM	*
2	R21470	JOURNAL & BEARING KIT	2
3	R21443	SNAP RING	12
4	R21481	GREASE FITTING M10-1.0 X 45 DEGREE	1
5	R21471	CV CENTRAL BODY	1
6	R21480	GREASE FITTING M6-1.0 STRAIGHT	5
7	R21474	OUTER TUBE YOKE	1
8	R21475	SPRING DOWEL FOR OUTER TUBE	1
9	R21478	OUTER TUBE	1
10	R21479	INNER TUBE	1
11	R21476	SPRING DOWEL FOR INNER TUBE	1
12	R21472	INNER TUBE YOKE	1
13	R21451	QD PIN KIT	2
14	R21473	SHEAR BOLT TORQUE LIMITED 1 3/8 6T	1
15	R08251	SHEAR BOLT M8 1.24 X 45 LONG	1
16	R21482	GREASE FITTING M10-1.0 STRAIGHT	1
17	R21483	BALL BEARING	17
18	R21442	JOURNAL AND BEARING KIT	1
19	R21468	INNER BELL	1
20	R21469	OUTER BELL	1
21	R21466	OUTER SHIELD TUBING	1
22	R21467	INNER SHIELD TUBING	1
23	R21456	GUARD RETAINING COLLAR - OUTER	1
24	R21455	GUARD RETAINING COLLAR - INNER	1

SERIES 4 CV JOINT PTO

R20299-540 RPM
R20301-1000 RPM



SIGHT GAUGE KIT

KEY	PART NUMBER	DESCRIPTION	QTY
1	330-93-30-000	FLOAT ARM ASSY	1
2	330-93-31-000	BRONZE BRG HOLDER ASSY	1
3	330-93-32-000	INDICATOR ARM ASSY	1
4	330-93-32-374	CONNECTOR SHAFT	1

5	330-93-00-375	FLOAT	1
6	330-93-30-376	FLOAT ARM	1
7	330-93-30-377	BOSS	1
8	330-93-30-378	FLOAT STRAPS	2

9	330-93-31-379	BRONZE BEARING HOLDER	1
10	330-93-32-424	INDICATOR ARM	1
11	R07974	EXTERNAL RETAINING RING	2
12	R20265	1/2ID X 5/8OD X 1" LONG BRONZE BUSHING	1

13	R07828	1" FLAT WASHER	2
14	R07788	1" HEX NUT	1
15	R07950	3/16 X 1-1/4 ROLL PIN	1
16	R08021	1/8 X 1 S.S. COTTER PIN	1

17	R09529	"FULL" STICKER	1
18	R09530	"EMPTY" STICKER	1
19	R21173	1/2 X 5/8 X 1/2 BRONZE BUSHING	2
20	R20865	1/2 X 5/8 X 1/16 O-RING	1

