

DATE PURCHASED _____ MACHINE SERIAL NO. _____

*Office copy
Aug 24/93
20 made
Mar/94 5
April 26/94 5
Aug 2/94 5*

OPTIONS _____

PLEASE NOTE:

The key number system in this parts book is arranged as follows:

- 0 --Key number with one circle denotes main assemblies
- Key numbers not circled are individual parts

Please order parts by number

18000 LITRE
MODEL 'E'
HUSKY LIQUID MANURE SPREADER

OPERATING REQUIREMENTS FOR TANKER MANURE SPREADERS:

1. Heed all warnings.
2. Minimum HP requirements to safely operate on level terrain, on hilly terrain HP should be increased.

4500L	70 HP
7000L	85 HP
9000L	95 HP
12000L	110 HP
14000L	130 HP
15000L	140 HP
18000L	160 HP
23000L	200 HP

3. If machine is equipped with hydraulic brakes that are operated from the tractor hydraulics, they will not work should the tractor motor stop.

Inspect brakes before each use. Brakes must be bled before initial use unless installed at factory.

When releasing brakes the tractor hydraulic lever must be put in the opposing position to release pressure. Do not put in float position they will not release.

OPERATING REQUIREMENTS (CONT'D):

4. Tractor PTO spline must be approximately 14" (355 mm) from end of compressed PTO for proper adjustment.
5. Hitch tanker to tractor with minimum of 1" (25 mm) hardened hitch pin with a safety lock. Use 10,000 Lbs safety chain from spreader to tractor.
6. Do not use tongue jack stand to support loaded spreader. Put jack in storage position before using.
7. When hooking PTO to tractor make sure motor is stopped. Make sure QD (Quick Disconnect) safety locking pin is in locked position before using.
8. Clean off hose ends before plugging into tractor hydraulics. If spreader is equipped with hydraulic drive on spreading attachment, make sure tractor has sufficient oil flow and pressure to maintain satisfactory spread pattern, if not use another tractor.
9. After using spreader in freezing condition make sure impeller housing is drained.
10. Wash tank inside and out each time work is finished. This will increase life of tank by many years. See item 6 of Safety instructions.
11. Do not drive on public roads after dusk unless equipped with lights required by Department of Transportation in your area.
12. Remove wheels annually and grease wheel bearings.
13. Because manure smells, many farmers have made unfriendly neighbours. If in a residential area a manure injector is a recommended option to bury the smell.
14. Much of the fertilizer value of manure is lost when exposed to air. Getting the manure covered quickly is a very important part of spreading manure.
15. If rustproof coating on interior shows signs of deterioration, have interior repainted. This can be done with a roller or brush. This helps to increase the life of your spreader. It is a valuable maintenance procedure.

SAFETY INSTRUCTIONS:

Do not operate this machine until you fully understand the safe operating practices.

1. Make sure all moving parts are shielded to prevent coming in contact with loose clothing.
2. Keep children clear, do not let children or anyone ride on the spreader at anytime.
3. Do not support loaded spreader on tongue jack.
4. Keep tire pressure to recommended pressure at all times.
Recommended tire pressure being:

		<u>Lbs</u>	<u>KPA</u>
40 x 14	Airplane Tires	55	379
44 x 16		55	379
47 x 18 x 18		55	379
50 x 20 x 20		55	379
16.5L x 16.1	Implement Tires	35	241
21.5L x 16.1		35	241
18.4L x 26	Turf Tires	26	180
28 L x 26		24	166
23.5L x 25	Loader Dozer Tires	55	379
18L x 22.5	Truck Tires	65	448

1 Lb = 6.8947 KPA

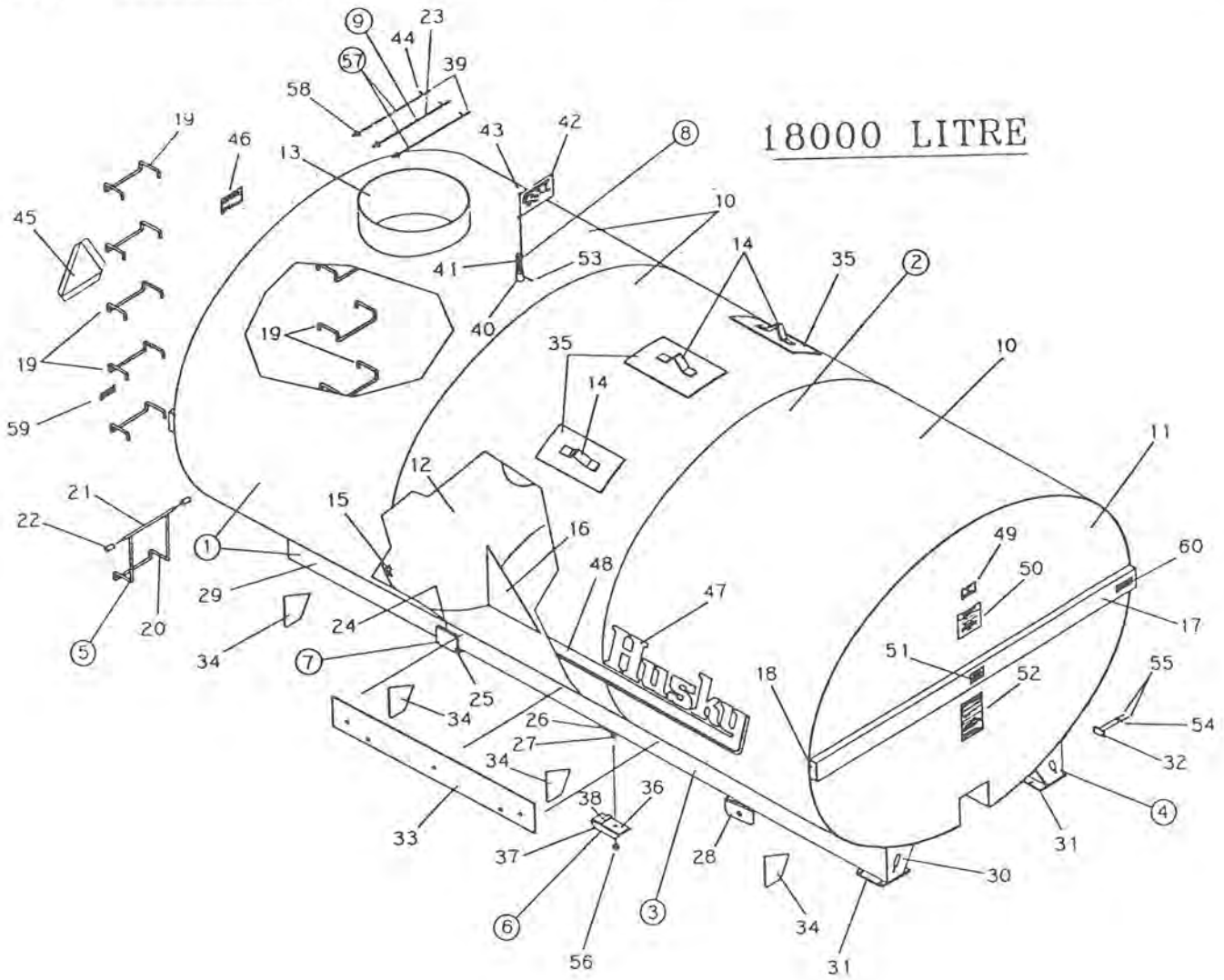
5. Keep wheel bolts torqued to recommended torque at all times.
Recommended torque being:

Wheel Bolt Size	Torque <u>Dry</u>	Ft./lbs. <u>Oiled</u>	Torque <u>Dry</u>	Meter/kg <u>Oiled</u>
9/16 - 18 NF	190	145	26.28	20.06
5/8 - 18 NF	270	205	37.34	28.35
3/4 - 16 NF	470	360	65.01	49.79

(CHECK DAILY)

6. Never enter a tanker without special breathing equipment to supply oxygen. Manure gases can kill instantly. One breath of Hydrogen Sulfide can kill.
7. When hooking up or repairing hydraulic hoses always wear safety glasses and relieve pressure to avoid getting oil in eyes.
8. Caution - disc brakes will not release unless valve lever is held momentarily in opposite position. This will relieve pressure in brake line. Do not put in float position, they will not release.

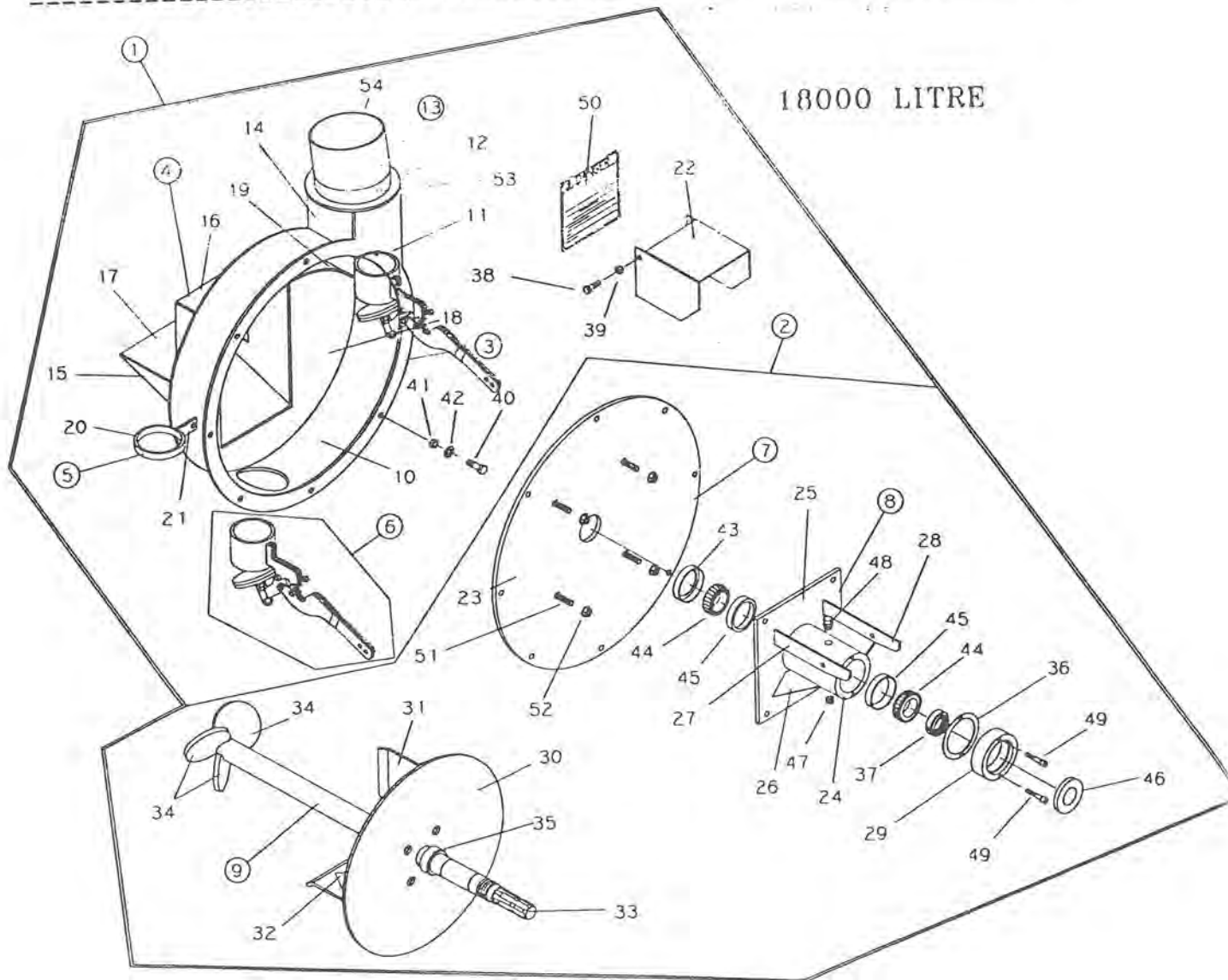
KEY	PART NUMBER	DESCRIPTION	QTY
1	358-31-00-000	18000L TANK & SILL ASSY	1
2	340-01-01-000	18000L TANK ASSY	1
3	340-01-02-000	R.H. SILL ASSY	1
4	340-01-03-000	L.H. SILL ASSY	1
5	364-02-19-000	LADDER BOTTOM RUNG ASSY	1
6	340-41-00-000	CLAMPING BRACKET ASSY	2
7	340-01-20-000	AXLE REAR STOP ASSY	2
8	340-62-00-000	HUSKY FLAG KIT	1
9	364-49-00-000	LONG MANHOLE SAFETY BAR	1
10	340-01-01-301	TANK SHELL	3
11	340-01-01-300	TANK ENDS	2
12	340-01-01-302	BAFFLE	2
13	364-02-00-006	MANHOLE	1
14	300-01-00-012	LIFT HOOK	3
15	300-01-00-016	BAFFLE BRACKET	16
16	340-01-01-459	BAFFLE GUSSET	8
17	340-01-06-312	TANK END STIFFENER	2
18	340-01-06-464	STIFFENER CAP	4
19	364-02-00-008	LADDER RUNG	9
20	364-02-19-151	LADDER BOTTOM RUNG	1



KEY	PART NUMBER	TANK ASSY DESCRIPTION	QTY
21	364-02-19-152	LADDER TOP PIECE	1
22	364-02-00-153	LADDER BRACKET	2
23	364-49-00-164	LONG MANHOLE SAFETY BAR	1
24	340-01-20-446	AXLE REAR INNER STOP	2
25	340-01-20-447	AXLE REAR OUTER SUPPORT	2
26	340-01-00-445	FRONT SPACER	2
27	300-00-00-448	SCRAPER BLADE BOLT	2
28	315-31-00-115	TONGUE 'U' PIECE	2
29	340-01-02-303	SILL	2
30	340-01-06-311	SILL CAP	4
31	340-01-07-460	TANK SUPPORT HOLD DOWN BRACKET	2
32	340-01-00-498	SERIAL NUMBER PLATE	1
33	340-01-02-304	SILL REINFORCING	2
34	340-01-02-305	END SILL STIFFENERS	8
35	340-01-00-546	REINFORCING PLATE	3
36	340-41-00-442	CLAMPING BRACKET	2
37	340-41-00-443	CLAMPING BRACKET GUSSET	4
38	340-41-00-444	FILLER BAR	2
39	364-00-00-155	MANHOLE SAFETY BARS	2
40	340-00-00-536	FLAG SPRING HOLDER	1
41	R08037	FLAG SPRING	1
42	R09735	HUSKY FLAG	1
43	R21371	PLASTIC TIP	1
44	R08207	3/32 X 1 1/2 S.S. COTTER PIN	3
45	R09501	SLOW MOVING VEHICLE SIGN	1
46	R09784	"DANGER - TOXIC GAS..." DECAL	1
47	R09510	"HUSKY" DECAL	2
48	R09511	ACCENT STRIPE	2
49	R09509	"MADE IN CANADA" DECAL	1
50	R09730	"TIRE PRESSURE" DECAL	1
51	R09512	CAPACITY STICKER	1
52	R09783	"CAUTION" DECAL	1
53	R07926	5/16-18 X 1/4 S.S. SET SCREW	1
54	R09071	SERIAL NUMBER	1
55	R08162	TYPE 'U' DRIVE SCREW 4 X 1/4	2
56	R07878	3/4" NYLON INSERT NUT	2
57	364-47-00-000	MANHOLE SAFETY BAR ASSY	2
58	R07825	1/2" FLAT WASHER	3
59	R10096	RED REFLECTOR	2
60	R10097	AMBER REFLECTOR	1

FAN & HOUSING KIT

KEY	PART NUMBER	DESCRIPTION	QTY
1	358-70-00-000	MODEL E FAN & HOUSING KIT 540 RPM	1
	358-71-00-000	MODEL E FAN & HOUSING KIT 1000 RPM	*
2	364-65-00-000	540-FAN, COVER PLATE & BRG KIT	1
	364-66-00-000	1000-FAN, COVER PLATE & BRG KIT	*
<hr/>			
3	358-69-00-000	FAN HOUSING ASSY	1
4	358-69-01-000	HOUSING BACK PLATE ASSY	1
5	364-41-00-000	PTO HOLDER ASSEMBLY	1
6	364-62-00-000	DRAIN PLUG KIT	1
<hr/>			
7	364-67-00-000	COVER PLATE ASSY	1
8	364-61-00-000	BRG HOLDER ASSY	1
9	364-72-00-000	FAN, SHAFT, & AGITATOR ASSY -540	1
	364-73-00-000	FAN, SHAFT, & AGITATOR ASSY -1000	*
<hr/>			
10	364-01-03-018	HOUSING BAND	1
11	364-01-03-019	HOUSING FLANGE	1
12	364-01-03-062	DISCHARGE RING	1
13	358-69-02-000	DISCHARGE TUBE ASSY	1



FAN & HOUSING KIT CONTINUED

<u>KEY</u>	<u>PART NUMBER</u>	<u>DESCRIPTION</u>	<u>QTY</u>
14	364-01-03-081	FAN HOUSING VERTICAL PC	1
15	358-69-01-216	OUTLET SIDE PCS	2
16	358-69-01-218	OUTLET TOP PC	1
17	358-69-01-217	OUTLET BOTTOM PC	1

18	364-01-03-106	HOUSING BACK PLATE	1
19	364-01-03-156	HOUSING BAND AID	1
20	364-41-00-132	PTO HOLDER	1
21	364-41-00-133	PTO HOLDER BRKT	1

22	364-00-00-029	FLIP GUARD	1
23	364-67-00-211	COVER PLATE	1
24	364-61-00-191	BRG TUBE	1
25	364-61-00-192	SEAL TUBE BACK PLATE	1

26	364-61-00-193	SEAL TUBE GUSSET	2
27	364-61-00-197	RH FLIP GUARD BRKT	1
28	364-61-00-198	LH FLIP GUARD BRKT	1
29	364-00-00-196	SEAL TUBE CAP	1

30	364-63-00-209	IMPELLER BACK PLATE	1
31	364-63-00-208	540 RPM FAN BLADE	4
	364-64-00-210	1000RPM FAN BLADE	*
32	364-03-00-024	GUSSET	4

33	364-72-00-226	FAN SHAFT	1
34	364-72-00-227	AGITATOR BLADES	3
35	364-63-00-195	HARDENED SLEEVE	1
36	364-00-00-225	CAP GASKET	1

37	364-00-00-212	STAKE NUT	1
38	R07619	3/8 X 1 HEX BOLT	2
39	R07886	3/8 LOCK NUT	2
40	R07671	7/16 X 1 1/4 HEX BOLT	8

41	R07784	7/16 HEX NUT	8
42	R07804	7/16 LOCK WASHER	8
43	R21184	SEAL	1
44	R20115	CONE	2

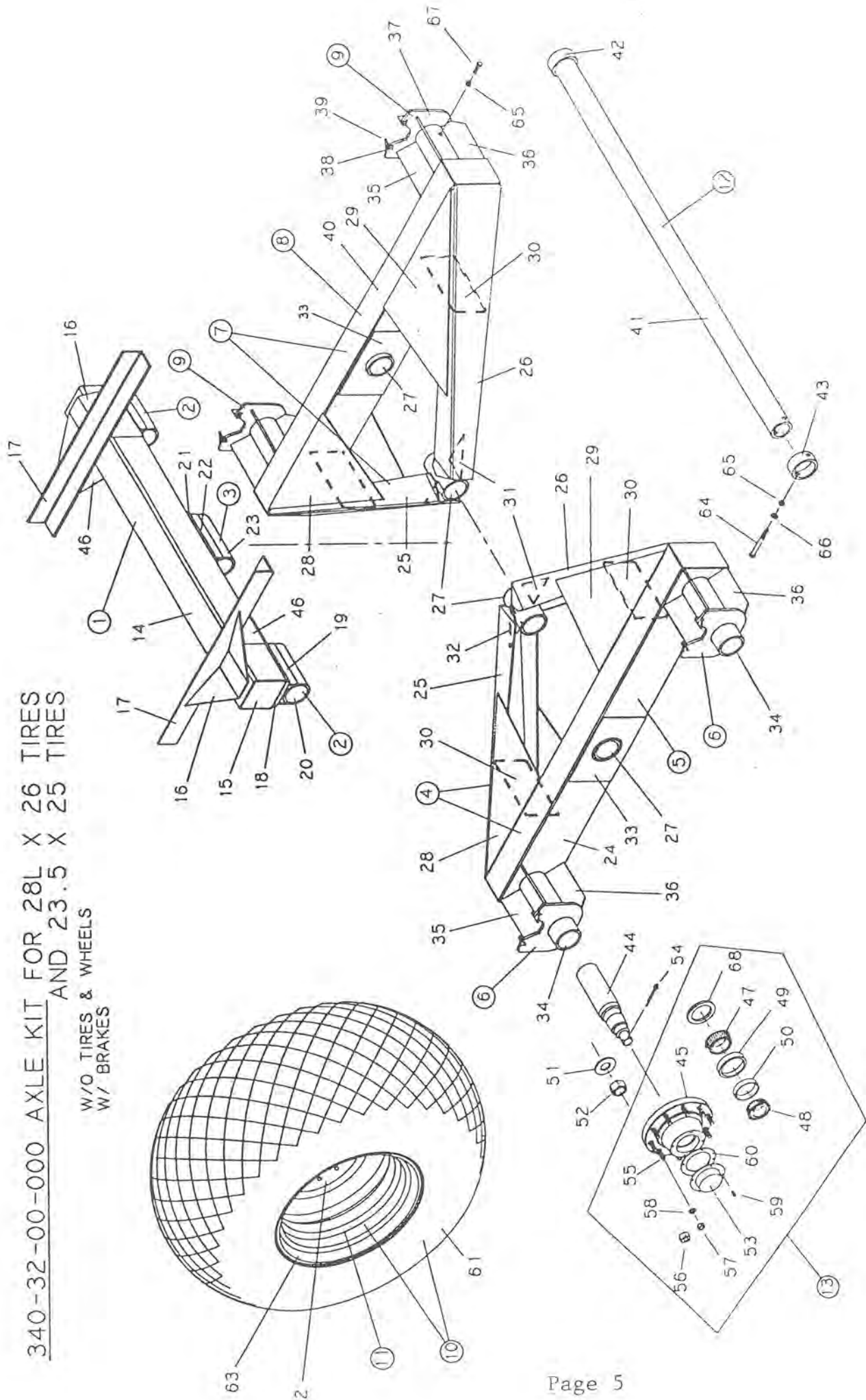
45	R20113	CUP	2
46	R21185	SEAL	1
47	R20689	PIPE PLUG	1
48	R20685	VENT PLUG	1

49	R08175	5/16-18 UNC X 1 3/4 CAP SCREW	2
50	R09785	'DANGER' DECAL	1
51	R07774	7/16 X 1 1/4 CARRIAGE BOLT GR. 5	4
52	R07879	7/16 FLANGE NUT	4

53	358-69-02-219	DISCHARGE BASE TUBE	1
54	358-69-02-220	DISCHARGE UPPER TUBE	1

340-32-00-000 AXLE KIT FOR 28L X 26 TIRES
AND 23.5 X 25 TIRES

W/O TIRES & WHEELS
W/ BRAKES



AXLE KIT FOR 28L X 26 TIRES & 23.5 X 25 TIRES

<u>KEY</u>	<u>PART NUMBER</u>	<u>DESCRIPTION</u>	<u>QTY</u>
1	340-11-00-000	BASE FRAME ASSY	1
2	340-07-08-000	STATIONARY SLEEVE ASSY	2
3	340-11-28-000	CENTRE SLEEVE ASSY	1
4	340-12-00-000	R.H. TANDEM SIDE ASSY	1

5	340-12-30-000	R.H. WALKING BEAM ASSY	1
6	340-08-10-000	R.H. CALIPER MOUNTING PLATE ASSY	2
7	340-13-00-000	L.H. TANDEM SIDE ARM ASSY	1
8	340-13-31-000	L.H. WALKING BEAM ASSY	2

9	340-09-29-000	L.H. CALIPER MOUNTING ASSY	4
10	330-04-00-000	28L X 26 TIRE, TUBE & WHEEL ASSY	4
	340-18-00-000	23.5L X 25 TIRE, TUBE & WHEEL ASSY	*
11	330-04-43-000	WHEEL ASSY FOR 28L TIRE	4

	340-18-24-000	WHEEL ASSY FOR 23.5L TIRE	*
12	340-63-00-000	AXLE TUBE ASSY	1
13	340-43-00-000	10 BOLT HUB COMPLETE ASSY	4
14	340-11-00-353	CROSS AXLE SUPPORT	1

15	340-07-00-329	COVER PLATE	2
16	340-11-00-354	REINFORCING PLATE	2
17	315-35-00-131	SILL ANGLE PLATE	2
18	340-07-00-324	SPACER	2

19	340-07-08-323	SIDE SLEEVE CHANNEL	2
20	340-07-08-322	STATIONERY SLEEVE	2
21	340-11-00-519	SPACER	1
22	340-11-28-517	CENTRE SLEEVE CHANNEL	1

23	340-11-28-518	CENTRE SLEEVE	1
24	340-12-00-355	R.H. WALKING BEAM	1
25	340-12-00-358	TANDEM SIDE ARM - SHORT	2
26	340-12-00-359	TANDEM SIDE ARM - LONG	2

27	340-08-00-341	ROCKER SLEEVE	4
28	340-12-00-529	WALKING BEAM GUSSET - REAR	4
29	340-12-00-530	WALKING BEAM GUSSET - FRONT	4
30	340-12-00-360	VERTICAL BRACE	4

31	340-12-00-362	TANDEM GUSSET - FRONT	2
32	340-12-00-361	TANDEM GUSSET - REAR	2
33	340-12-30-533	ROCKER SLEEVE REINFORCING PLATE	4
34	340-12-00-357	SPINDLE SLEEVE	4

35	340-12-30-531	SPINDLE SLEEVE GUSSET - UPPER	8
36	340-12-30-532	SPINDLE SLEEVE GUSSET - LOWER	8
37	340-08-10-332	CALIPER MOUNTING PLATE	4
38	340-08-10-333	CALIPER PLATE STOP	8

39	340-08-10-334	CALIPER PLATE SUPPORT	8
40	340-13-00-356	L.H. WALKING BEAM	1
41	340-63-00-537	MAIN AXLE TUBE	1
42	340-63-00-538	STOP RING	1

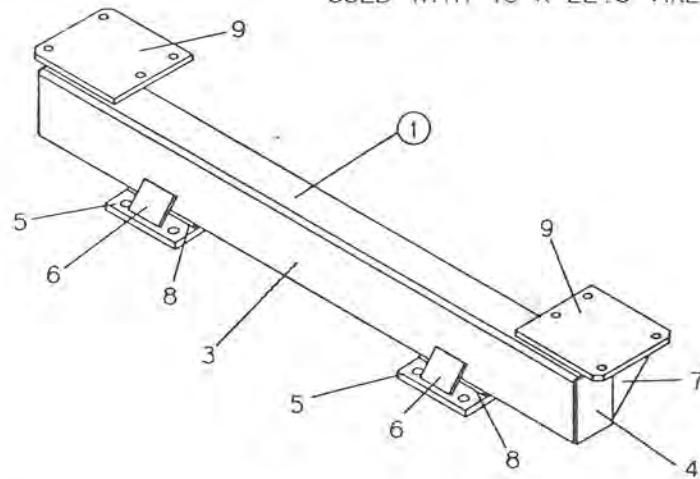
<u>KEY</u>	<u>PART NUMBER</u>	<u>DESCRIPTION</u>	<u>QTY</u>
43	340-00-00-346	RETAINING RING	1
44	340-00-00-347	SPINDLE	4
45	340-43-00-451	10 BOLT HUB W/ CUPS 16000LB	4
46	340-07-00-330	DOUBLE GUSSET	4
47	R20086	INNER CONE	4
48	R20087	OUTER CONE	4
49	R20088	INNER CUP	4
50	R20089	OUTER CUP	4
51	R20091	SPINDLE WASHER 1-11/16	4
52	R20092	SPINDLE NUT 1-3/4-12 UNF	4
53	R20093	DUST CAP	4
54	R20095	COTTER PIN 5/16 X 4	4
55	R20096	WHEEL BOLTS	40
56	R20097	3/4" SPH-RAD WHEEL NUT	40
57	R07820	3/4-16 UNF FEDALLOY HEX NUT	*
58	R07834	3/4 FEDALLOY FLAT WASHER	*
59	R07690	DUST CAP BOLT 5/16 X 5/8	16
60	R20084	DUST CAP GASKET	4
61	R20015	28L X 26 TIRE & TUBE	4
	R20012	23.5L X 25 TIRE	*
62	R20052	CENTRE DISC FOR 28L X 26 WHEEL	4
	R20055	CENTRE DISC FOR 23.5L X 25 TIRE	*
63	R20053	RIM FOR 28L X 26 TIRE	4
	R20060	RIM FOR 23.5L X 25 TIRE	*
64	R07653	5/8 X 6 HEX BOLT	1
65	R07786	5/8 HEX NUT	9
66	R07806	5/8 LOCK WASHER	1
67	R07927	5/8 X 1-1/2 SQ.HD. SET SCREW	8
68	R20083	SEAL	4

TONGUE CROSS SUPPORT

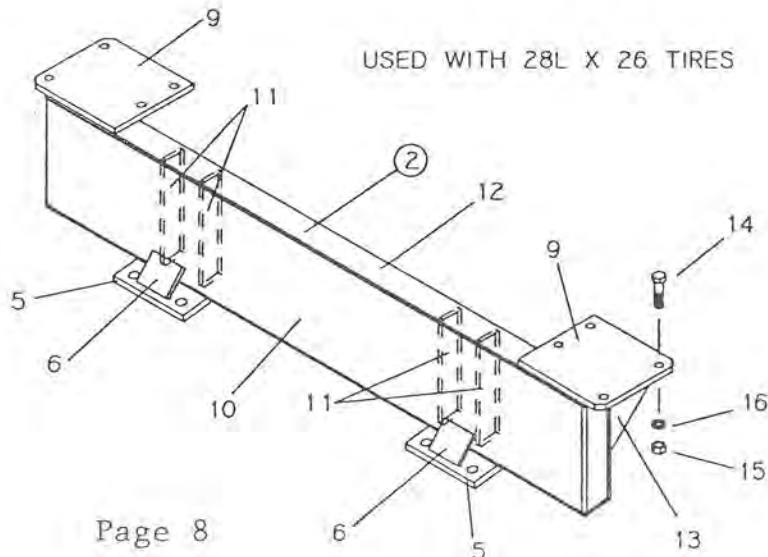
KEY	PART NUMBER	DESCRIPTION	QTY
1	358-45-00-000	CROSS MEMBER ASSY	1
2	358-46-00-000	CROSS MEMBER ASSY	*
3	358-45-00-146	CROSS MEMBER - 18 X 22.5 TIRES	1
4	358-45-00-147	END CAP	2
<hr/>			
5	358-45-00-148	TONGUE STRAP	2
6	364-02-17-123	TONGUE STRAP GUSSET	2
7	358-45-00-149	GUSSET	2
8	358-45-00-150	- FILLER ROD	2
<hr/>			
9	340-01-07-460	TANK SUPPORT HOLD DOWN BRACKET	2
10	364-27-00-094	TANK SUPPORT COVER	1
11	364-27-00-096	TANK SUPPORT INSIDE BRACE	4
12	364-27-00-095	TANK SUPPORT 28L X 26 TIRES	1
<hr/>			
13	358-46-00-221	DOUBLE GUSSET	2
14	R07647	5/8 X 2 HEX BOLT	8
15	R07786	5/8 HEX NUT	8
16	R07806	5/8 LOCK WASHER	8

TONGUE CROSS SUPPORT

USED WITH 18 X 22.5 TIRES

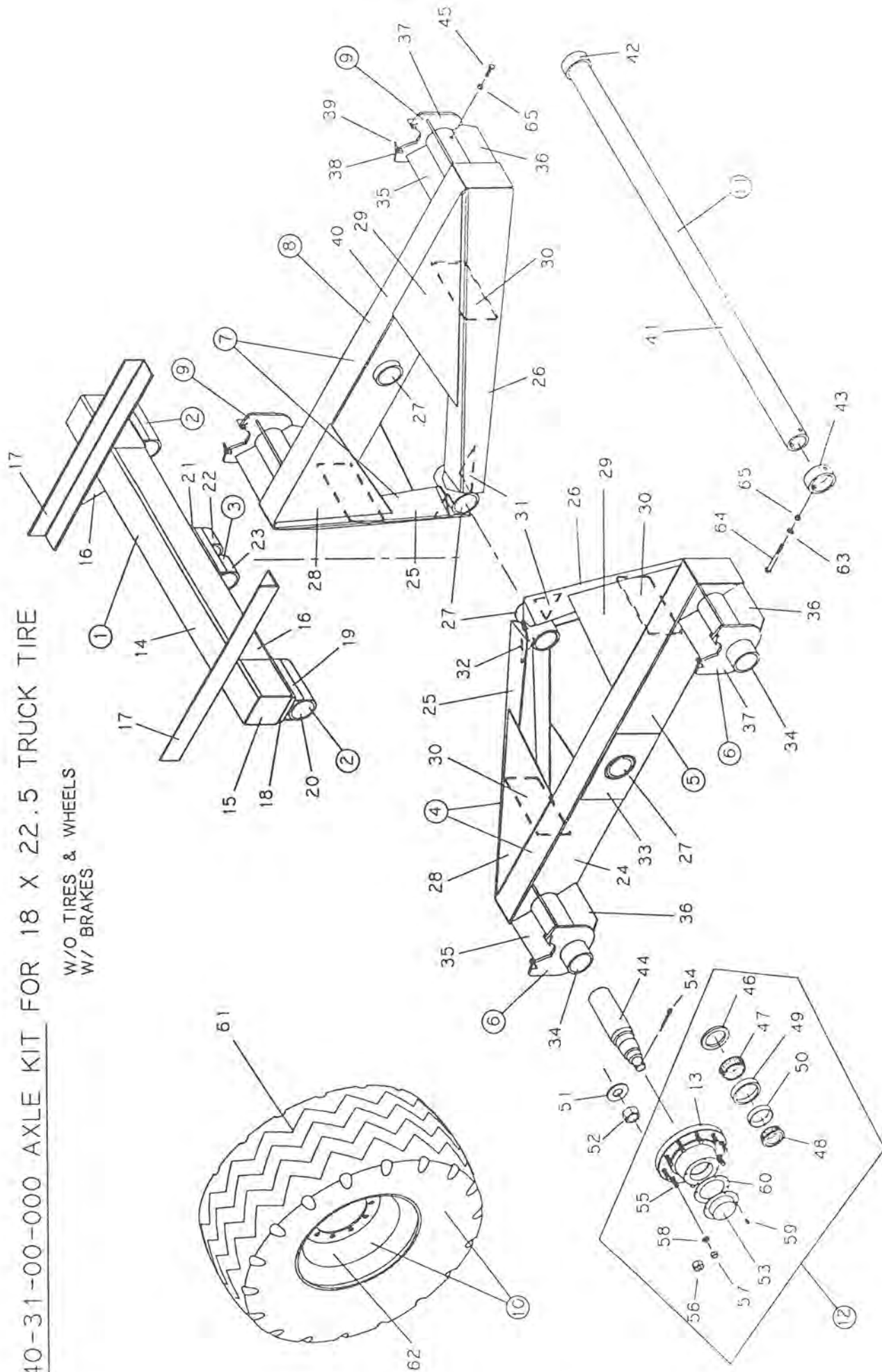


USED WITH 28L X 26 TIRES



340-31-00-000 AXLE KIT FOR 18 X 22.5 TRUCK TIRE

W/O TIRES & WHEELS
W/ BRAKES



AXLE KIT FOR 18 X 22.5 TRUCK TIRE

KEY	PART NUMBER	DESCRIPTION	QTY
1	340-07-00-000	BASE FRAME ASSY	1
2	340-07-08-000	STATIONARY SLEEVE ASSY	2
3	340-07-09-000	CENTRE SLEEVE ASSY	1
4	340-08-00-000	R.H. TANDEM SIDE ASSY	1
5	340-08-32-000	R.H. WALKING BEAM ASSY	1
6	340-08-10-000	R.H. CALIPER MOUNTING PLATE	2
7	340-09-00-000	L.H. TANDEM SIDE ASSY	1
8	340-09-33-000	L.H. WALKING BEAM ASSY	1
9	340-09-29-000	L.H. CALIPER MOUNTING PLATE	2
10	340-19-00-000	TIRE & WHEEL ASSY - 18 X 22.5	4
11	340-64-00-000	MAIN AXLE TUBE ASSY	1
12	340-43-00-000	10 BOLT HUB COMPLETE	4
13	340-43-00-451	10 BOLT HUB W/ CUPS - 16000LB	4
14	340-07-00-328	CROSS AXLE SUPPORT	1
15	340-07-00-329	COVER PLATE	2
16	340-07-00-330	DOUBLE GUSSET	4
17	315-35-00-131	SILL ANGLE PLATE	2
18	340-07-00-324	SPACER	2
19	340-07-08-323	SIDE SLEEVE CHANNEL	2
20	340-07-08-322	STATIONARY SLEEVE	2
21	340-07-00-327	CENTRE SLEEVE SPACER	1
22	340-07-09-326	CENTRE SLEEVE CHANNEL	1
23	340-07-09-325	CENTRE SLEEVE	2
24	340-08-00-335	R.H. WALKING BEAM	1
25	340-08-00-338	TANDEM SIDE ARM - REAR	2
26	340-08-00-337	TANDEM SIDE ARM - FRONT	2
27	340-08-00-341	ROCKER SLEEVE	4
28	340-08-00-527	WALKING BEAM GUSSET - REAR	4
29	340-08-00-528	WALKING BEAM GUSSET - FRONT	4
30	340-08-00-344	VERTICAL BRACE	4
31	340-08-00-339	L.H. TANDEM GUSSET	2
32	340-08-00-340	R.H. TANDEM GUSSET	2
33	340-12-03-533	ROCKER SLEEVE REINFORCING PLATE	2
34	340-08-00-342	SPINDLE SLEEVE	4
35	340-08-32-534	SPINDLE SLEEVE GUSSET - UPPER	8
36	340-08-32-535	SPINDLE SLEEVE GUSSET - LOWER	8
37	340-08-10-332	CALIPER MOUNTING PLATE	4
38	340-08-10-333	CALIPER PLATE STOP	8
39	340-08-10-334	CALIPER PLATE SUPPORT	8
40	340-09-00-336	L.H. WALKING BEAM	1
41	340-64-00-539	MAIN AXLE TUBE	1
42	340-63-00-538	STOP RING	1
43	340-00-00-346	RETAINING RING	1
44	340-00-00-347	TANDEM SPINDLE	4

<u>KEY</u>	<u>PART NUMBER</u>	<u>DESCRIPTION</u>	<u>QTY</u>
45	R07927	5/8 X 1-1/2 SQ.HD. SET SCREW	8
46	R20083	SEAL	4
47	R20086	INNER CONE	4
48	R20087	OUTER CONE	4

49	R20088	INNER CUP	4
50	R20089	OUTER CUP	4
51	R20091	SPINDLE WASHER 1-13/16"	4
52	R20092	SPINDLE NUT 1-3/4-12 UNF	4

53	R20093	DUST CAP	4
54	R20095	COTTER PIN 5/16" X 4"	4
55	R20096	WHEEL BOLTS	40
56	R20097	WHEEL NUTS 3/4" SPA-RAD	40

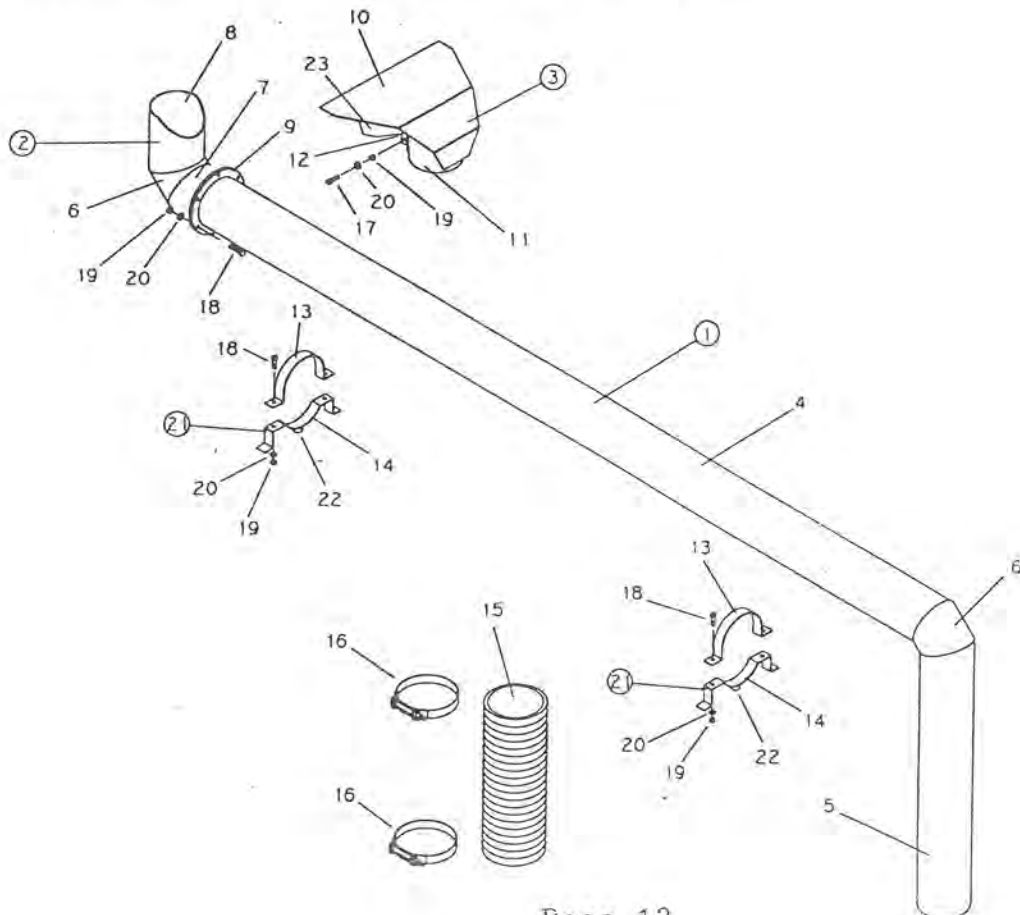
57	R07820	3/4-16 UNF FEDALLOY HEX NUT	*
58	R07834	3/4 FEDALLOY FLAT WASHER	*
59	R07690	DUST CAP BOLT 5/16 X 5/8	16
60	R20084	DUST CAP GASKET	4

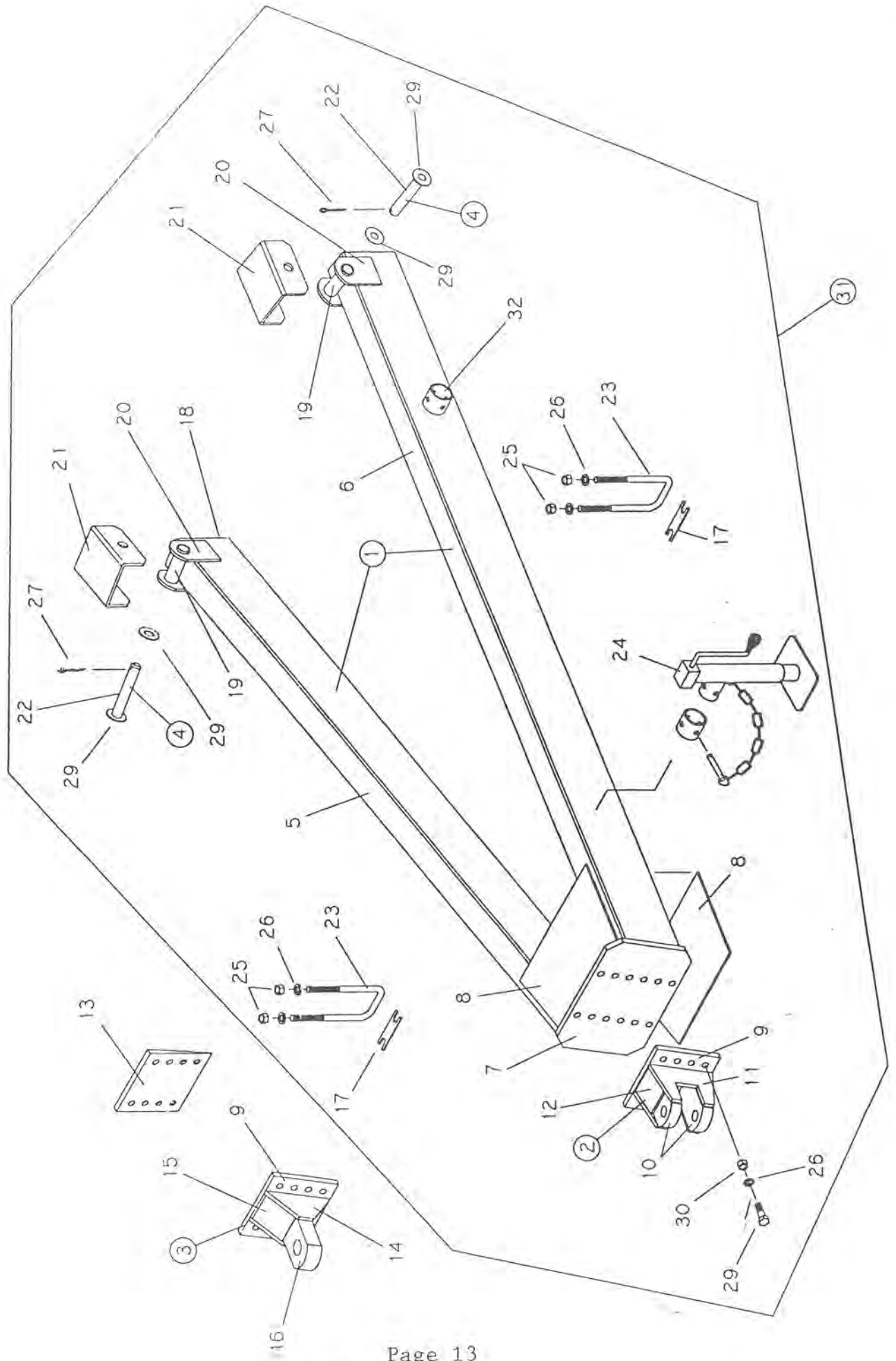
61	R20011	USED 18 X 22.5 TRUCK TIRE	4
62	R20059	13.5 X 22.5 RIM - 10 BOLT	4
63	R07806	5/8 LOCK WASHER	1
64	R07653	5/8 X 6 HEX BOLT	1

65	R07786	5/8 HEX NUT	9

DISCHARGE PIPE

<u>KEY</u>	<u>PART NUMBER</u>	<u>DESCRIPTION</u>	<u>QTY</u>
1	358-32-00-000	DISCHARGE PIPE ASSY - 18000L	1
2	364-25-00-000	DISCHARGE PIPE END SECTION	1
3	364-21-00-000	SPLASH PLATE ASSY	1
4	359-30-00-108	HORIZONTAL DISCHARGE PIPE	1
<hr/>			
5	358-32-00-109	VERTICAL DISCHARGE PIPE	1
6	364-19-00-082	DISCHARGE PIPE CORNER PIECE	2
7	364-25-00-088	DISCHARGE PIPE FLANGE PIECE	1
8	364-25-00-067	DISCHARGE PIPE END PIECE	1
<hr/>			
9	364-19-00-087	DISCHARGE PIPE FLANGE	2
10	364-21-00-069	SPLASH PLATE	1
11	364-21-00-070	CLAMPING TUBE	1
12	364-21-00-071	CLAMPING TUBE BRACKET	2
<hr/>			
13	364-00-00-083	DISCHARGE CLAMP UPPER PIECE	2
14	364-50-00-084	DISCHARGE CLAMP BASE PIECE	2
15	364-00-00-066	FLEX HOSE	1
16	R02482	6" CLAMP	2
<hr/>			
17	R07622	3/8 X 2-1/2 HEX BOLT	2
18	R07675	3/8 X 1-1/4 HEX BOLT	10
19	R07783	3/8 HEX NUT	12
20	R07803	3/8 LOCK WASHER	12
<hr/>			
21	364-50-00-000	DISCHARGE CLAMP BASE ASSY	2
22	364-50-00-165	DISCHARGE CLAMP SPACER	2
23	364-21-00-224	SPLASH PLATE WING	2





TONGUE ASSY

<u>KEY</u>	<u>PART NUMBER</u>	<u>DESCRIPTION</u>	<u>QTY</u>
1	358-42-00-000	TONGUE ASSY - 18000L	1
2	358-43-00-000	STANDARD HITCH ASSY	1
3	358-44-00-000	SINGLE POINT HITCH ASSY	*
4	315-39-00-000	LOCK PIN ASSY	2

5	358-42-00-135	R.H. TONGUE TUBE	1
6	358-42-00-136	L.H. TONGUE TUBE	1
7	358-42-00-137	HITCH BOLT PLATE	1
8	358-42-00-138	TONGUE TUBE GUSSET	2

9	358-43-00-139	HITCH BACK PLATE	1
10	358-43-00-140	HITCH PLATE	2
11	358-43-00-141	HITCH SIDE GUSSET	2
12	358-43-00-142	HITCH UPPER GUSSET	2

13	358-00-00-143	WEDGE PLATE	*
14	358-44-00-144	SIDE GUSSET	2
15	358-44-00-145	TOP GUSSET	2
16	364-26-00-091	SINGLE POINT HITCH	1

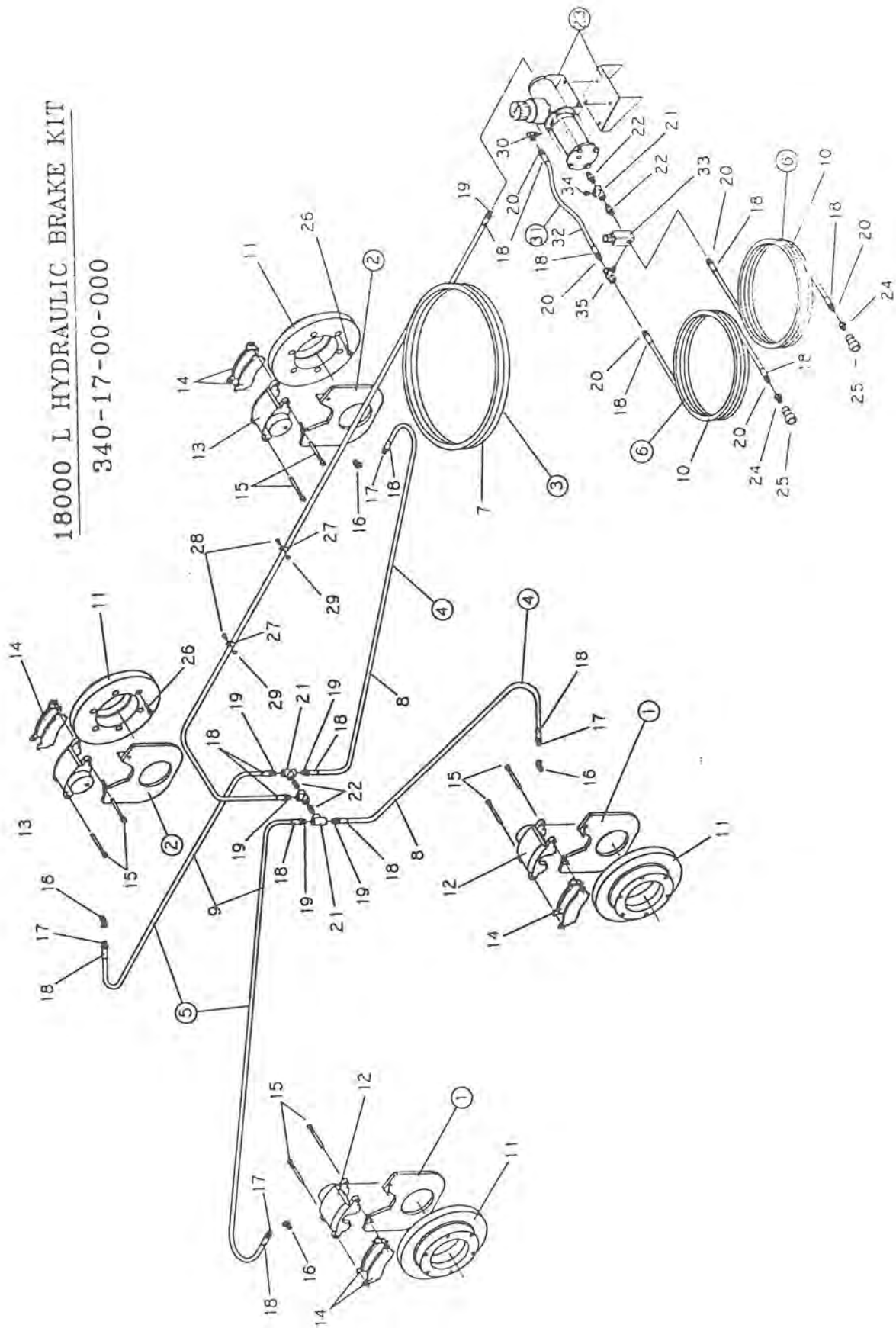
17	364-00-00-131	'U' BOLT SPACER	2
18	315-36-00-147	TONGUE TUBE END CAP	2
19	315-36-00-145	BUSHING	2
20	315-36-00-146	SIDE PIECE	4

21	315-31-00-115	TONGUE 'U' PIECE	2
22	315-39-00-155	LOCK PIN	2
23	R08172	3/4 NF X 10" 'U' BOLT	2
24	R09751	7000LB SIDE WIDE JACK	1

25	R07820	3/4" NF HEX NUT	4
26	R07807	3/4" LOCK WASHER	12
27	R08016	1/4 X 2 COTTER PIN	2
28	R07830	1 1/4" FLAT WASHER	4

29	R07655	3/4 X 2 1/2 HEX BOLT	8
30	R07787	3/4" UNC HEX NUT	8
31	358-57-00-000	TONGUE & HITCH KIT	1
32	364-35-00-189	TONGUE JACK STORAGE BRKT	1

18000 L HYDRAULIC BRAKE KIT
 340-17-00-000



HYDRAULIC BRAKE KIT

<u>KEY</u>	<u>PART NUMBER</u>	<u>DESCRIPTION</u>	<u>QTY</u>
1	340-08-10-000	CALIPER MOUNTING PLATE ASSY - R.H.	2
2	340-09-29-000	CALIPER MOUNTING PLATE ASSY - L.H.	2
3	340-17-38-000	HYD. BRAKE HOSE ASSY - MAIN LINE	1
4	340-17-13-000	HYD. BRAKE HOSE ASSY - FRONT 18X22.5	2

	340-17-15-000	HYD. BRAKE HOSE ASSY - FRONT 28LX26	*
5	340-17-14-000	HYD. BRAKE HOSE ASSY - REAR 18X22.5	2
	340-17-16-000	HYD. BRAKE HOSE ASSY - REAR 28LX26	*
6	340-17-39-000	HYD. HOSE ASSY	2

7	340-17-38-544	HYD. HOSE - MAIN LINE	1
8	340-17-13-368	HYD. HOSE - FRONT 18X22.5	2
	340-17-15-390	HYD. HOSE - FRONT 28LX26	*
9	340-17-14-369	HYD. HOSE - REAR 18X22.5	2

	340-17-16-391	HYD. HOSE - REAR 28LX26	*
10	340-17-39-545	HYD. HOSE	2
11	R20098	CAST DISC BRAKE	4
12	R21065	R.H. BRAKE CALIPER TC500	2

13	R21066	L.H. BRAKE CALIPER TC501	2
14	R21067	BRAKE PADS (PAIR)	4
15	R21070	GUIDE PINS	8
16	R21308	45' 7/16 SAE X 1/4 NPT ADAPTOR	4

17	R20807	1/4-18 NPT SOLID MALE STEM	4
18	R21231	STEEL FERRULE (1/4" HOSE)	16
19	R20806	3/8-18 NPT SWIVEL MALE STEM	6
20	R20803	3/8-18 NPT SOLID MALE STEM	6

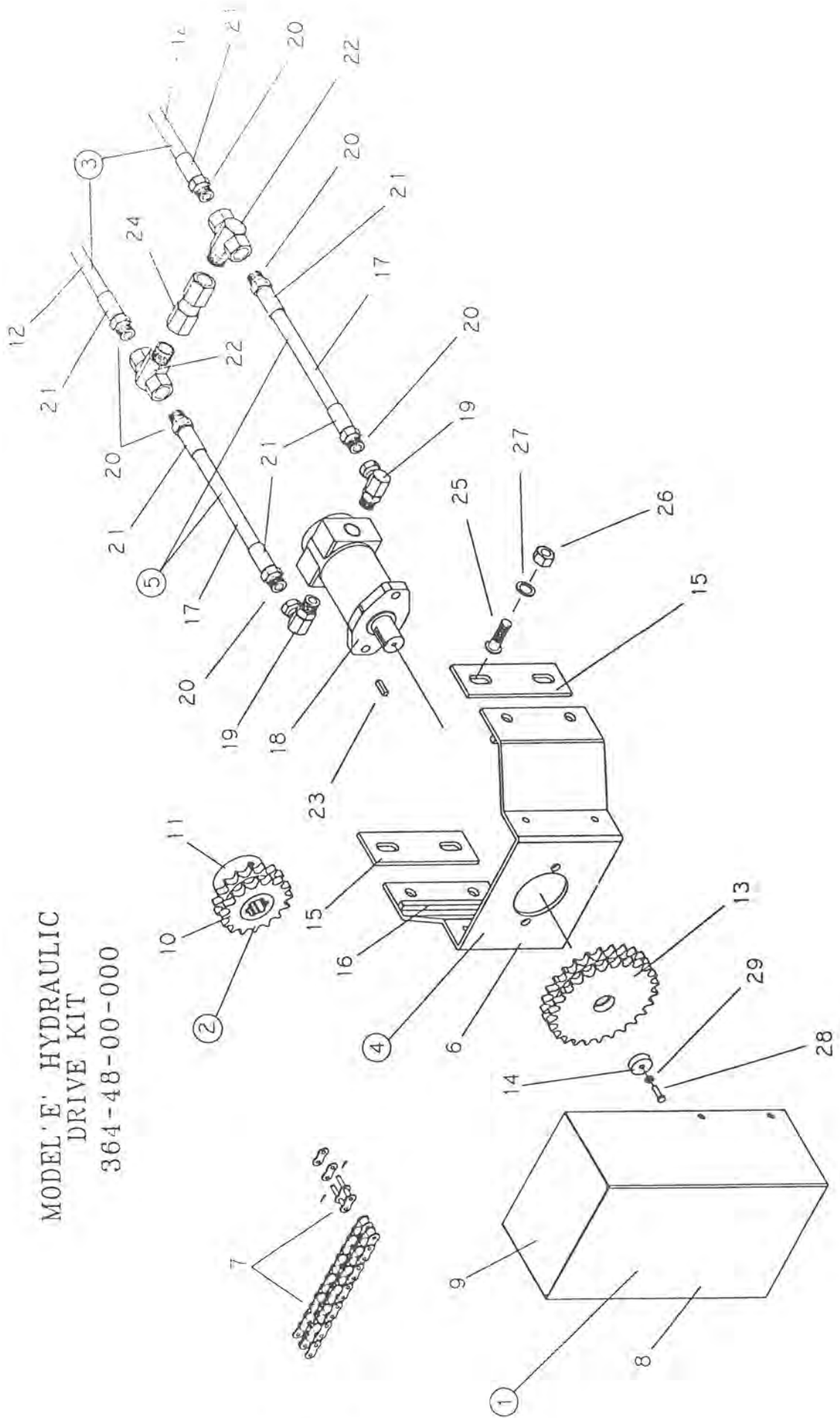
21	R21400	3/8 PIPE TEE	4
22	R21399	3/8 HYD NIPPLE	4
23	312-06-00-000	MASTER CYLINDER KIT	1
24	R02043	1/2 X 3/8 BUSHING	2

25	R21342	PIONEER COUPLER	2
26	R07871	1/2-20 X 3 SOCKET HD. CAP SCREW	24
27	R21104	HYD. HOSE CLIPS	12
28	R07698	1/4 X 1/2 HEX BOLT	12

29	R07781	1/4 HEX NUT	12
30	R21334	1/4M X 3/8F X 90 DEG. SWIVEL ADAPTOR	1
31	312-06-05-000	HYDRAULIC HOSE ASSY	1
32	312-06-05-048	HYDRAULIC HOSE	1

33	R21201	RELIEF VALVE	1
34	R02151	3/8 PIPE PLUG	1
35	R21391	3/8 NPT SWIVEL TEE ADAPTOR	1

MODEL 'E' HYDRAULIC
DRIVE KIT
364-48-00-000



MODEL E HYDRAULIC DRIVE KIT
364-48-00-000

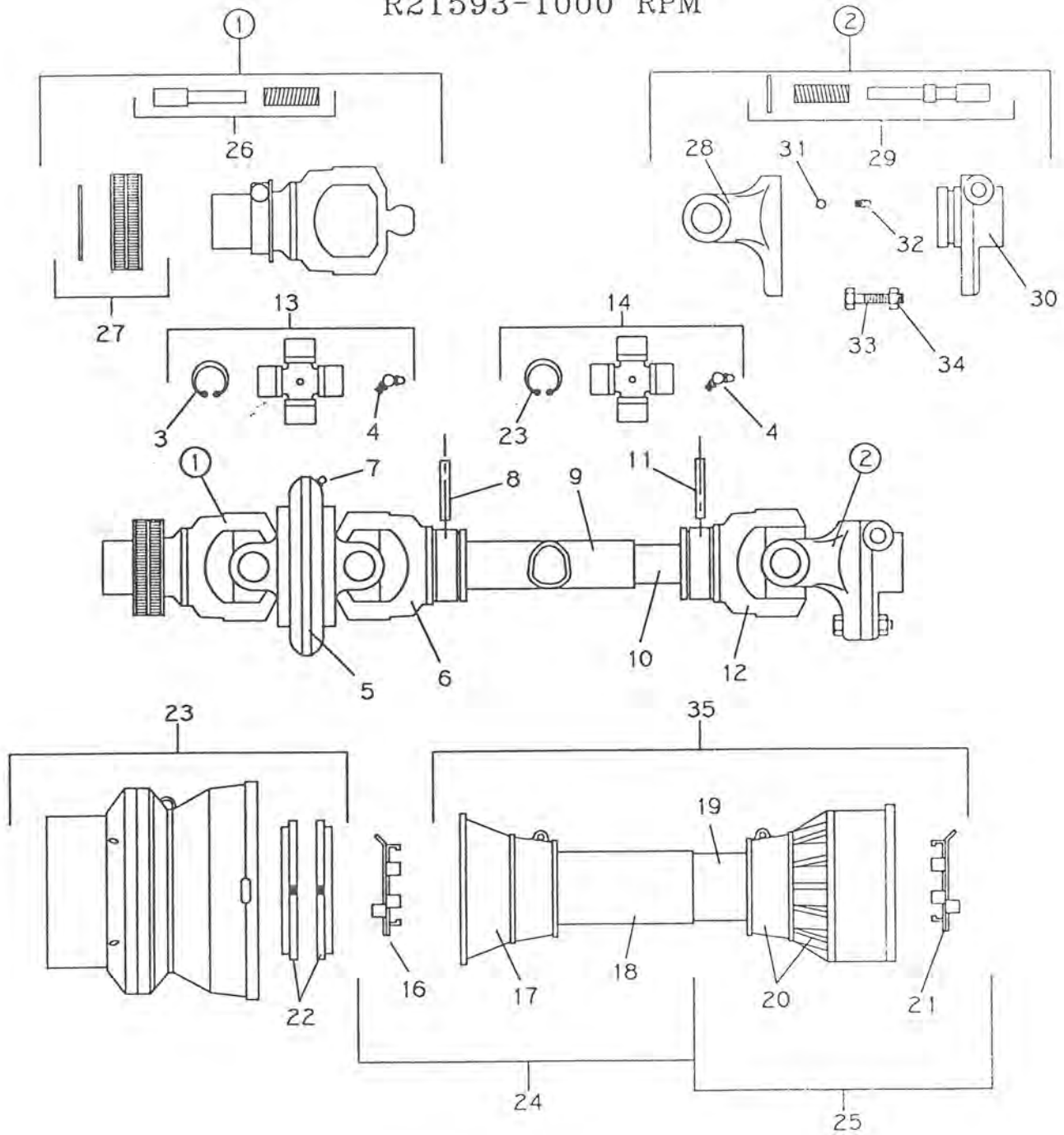
<u>KEY</u>	<u>PART NUMBER</u>	<u>DESCRIPTION</u>	<u>QTY</u>
1	364-48-22-000	GUARD ASSY	1
2	364-48-23-000	FAN SHAFT SPROCKET ASSY	1
3	364-48-24-000	HYDRAULIC HOSE ASSY - TO TRACTOR	2
4	364-48-31-000	MOTOR MOUNT ASSY	1
5	364-48-32-000	HYDRAULIC HOSE ASSY - MOTOR TO CHK. VALVE	2
6	364-48-31-157	HYDRAULIC MOTOR MOUNT	1
7	364-48-00-158	#60 DOUBLE ROLLER CHAIN W/CONN	1
8	364-48-22-159	GUARD BODY	1
9	364-48-22-160	GUARD CAP	1
10	364-48-23-161	FAN SHAFT SPROCKET #D60B16	1
11	364-48-23-162	SPLINE ADAPTOR	1
12	364-48-24-163	3/4" HYDRAULIC HOSE	2
13	364-48-00-166	MOTOR SPROCKET #D60B26	1
14	364-48-00-167	PLUG	1
15	364-48-00-185	MOTOR MOUNT BRKT	2
16	364-48-31-186	GUIDE BAR	2
17	364-48-32-187	3/4" HYDRAULIC HOSE	2
18	R21346	110 SERIES NICHOLS-GRAY HYD MOTOR	1
19	R21323	7/8-14 SAE O-RING BOSS 3/4NPT SW ADAPTOR	2
20	R21241	3/4" MALE SOLID STEM	8
21	R20824	3/4" FERRULE	8
22	R21393	3/4 NPT HYD SWIVEL TEE	2
23	R11114	KEY	1
24	R21202	3/4" NPT IN LINE CHECK VALVE	1
25	R07753	5/8 X 1 1/2 CARRIAGE BOLT	4
26	R07786	5/8 HEX NUT	4
27	R07806	5/8 LOCK WASHER	4
28	R07603	1/4 X 1 1/2 HEX BOLT	1
29	R07801	1/4" LOCK WASHER	1

BONDIOLI AND PAVESI PTO

C/W 80° CV JOINT

R21592-540 RPM

R21593-1000 RPM



80 DEG. BONDIOLI AND PAVESI CV PTO -R21592 540 RPM
 -R21593 1000RPM

KEY	MFG #	PART #	DESCRIPTION	QTY
		R21712	1 3/4" - 20T YOKE	
1	573040375	R21681	YOKE W/ BRIDGE 540 RPM	1
	573043775	R21680	YOKE W/ BRIDGE 1000 RPM	
2	606404001	R21473	TORQUE LIM SB4/4	1 *
3	338009000	R21683	CIRCLIP	8
4	348004000	R21684	GREASE NIPPLE	3
5	511040051	R21685	CENTRAL BODY	1
6	215046854	R21686	YOKE	1
7	348017000	R21687	GREASE NIPPLE	1
8	341038000	R21475	FLEXIBLE PIN	1 *
9	225310630	R21689	CARDAN TUBE	1
10	245100630	R21690	CARDAN TUBE CM	1
11	341048000	R21476	FLEXIBLE PIN	1 *
12	204046852	R21472	INNER TUBE YOKE	1 *
13	412040012	R21682	CROSS JOURNAL ASSY	2
14	41204	R21693	CROSS JOURNAL ASSY	1
15	338017000	R21694	CIRCLIP	4
16	255040005	R21696	O. BEARING 3-4	1 *
17	254040024	R21697	O. BASIC CONES N3-4	1
18	236680577	R21698	CM SAFETY TUBE	1
19	236670577	R21699	CM SAFETY TUBE	1
20	517040061	R21700	I. CONE SET N3-4	1
21	255040006	R21701	I. BEARING 3-4	1 *
22	255040351	R21702	RING NUT DOWELS	1
23	517048001	R21703	COMPLETE SHELL	1
24	5NE4078W1654	R21709	HALF SAFETY GUARD	1
25	5NI40788NN	R21710	HALF SAFETY GUARD	1
26	403000001	R21669	COMPLETE PUSH BUTTON	1 ~
27	240080061	R21670	HUB	1 ~
28	213040020	R21704	SHEAR YOKE	1
29	401000001	R21451	COMPLETE PUSH BUTTON	1 ~*
30	513070324	R21706	HUB C/W QUICK DISCONNECT	1
31	362002000	R21705	1/4" BALL	23
32	348012000	R21672	GREASE NIPPLE	1
33	432000047	R08251	M8 1.25 X 45 BOLT	1
34		R08252	M8 1.25 X LOCK NUT	1
35	5N04078W1654	R21711	SAFETY GUARD	1

* SAME AS 70 DEG. CV. PTO
 ~ SAME AS K31

