

October '94
5 Lapis m
5 Aspecz m
Jan 64

Date Purchased _____ Machine Serial No. _____
Size of Spreader _____ Options _____

PLEASE NOTE:

The key number system in this parts book is arranged as follows:

- 0 -- Key number with one circle denotes main assemblies
- Key Numbers not circled are individual parts.

Please order parts by number

18000L MODEL "E" HUSKY LIQUID MANURE SPREADER

OPERATING INSTRUCTIONS:

1. Heed all warnings.
2. Minimum HP requirements to safely operate on level terrain, on hilly terrain HP should be increased.

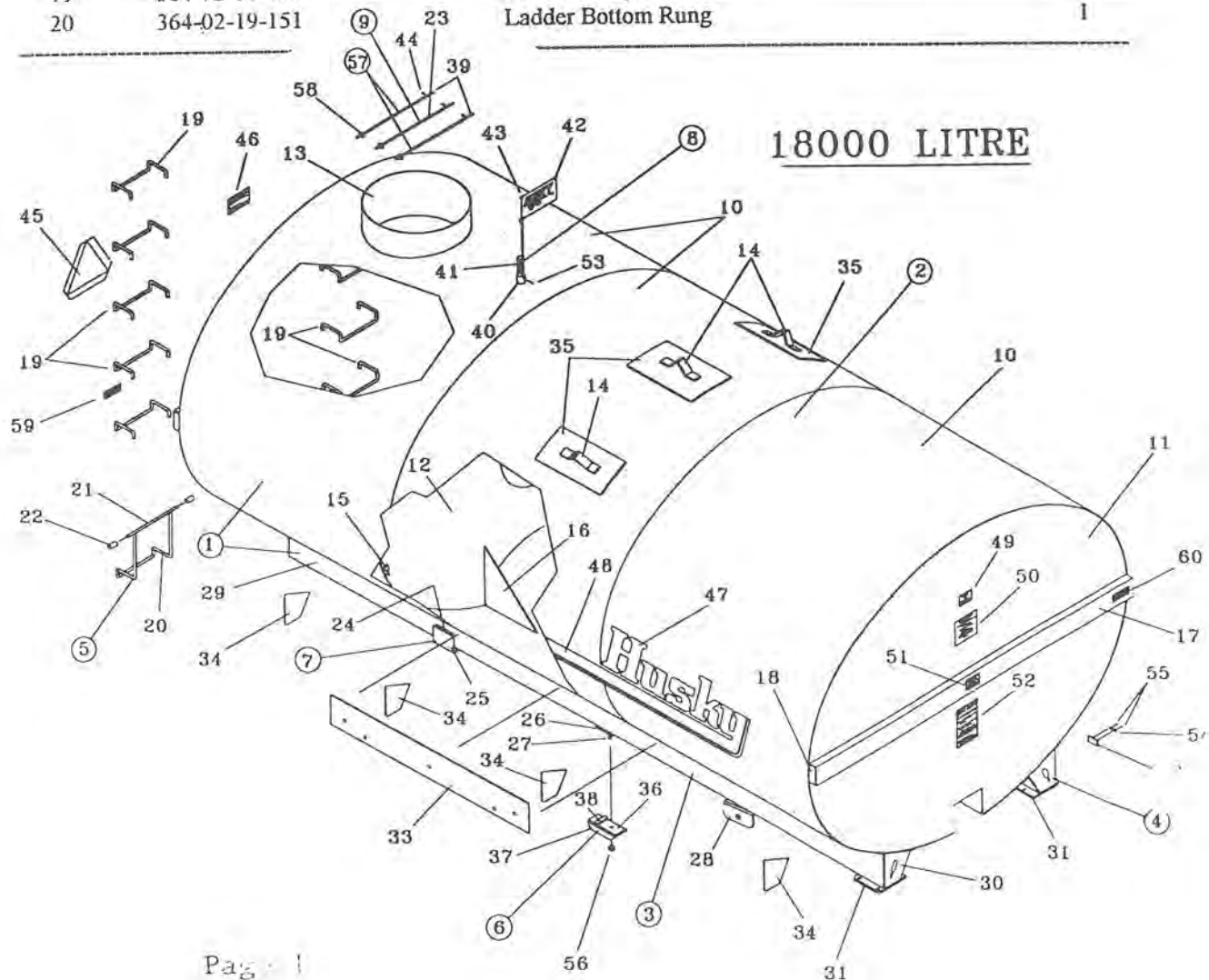
4500L	70 HP
7000L	85 HP
9000L	95 HP
12000L	110 HP
14000L	130 HP
15000L	200 HP
3. If machine is equipped with hydraulic brakes that are operated from the tractor hydraulics, they will not work should the tractor motor stop.

Inspect brakes before each use. Brakes must be bled before initial use unless installed at factory.

When releasing brakes the tractor hydraulic lever must be put in the opposing position to release pressure. Do not put in float position they will not release.
4. Tractor PTO spline must be approximately 14" (355 mm) from end of compressed PTO for proper adjustment.
5. Hitch tanker to tractor with minimum of 1" (25mm) hardened hitch pin with a safety lock. Use 10,000 Lbs safety chain from spreader to tractor.
6. Do not use tongue jack stand to support loaded spreader. Put jack in storage position before using.
7. When hooking PTO to tractor make sure motor is stopped. Make sure QD (Quick Disconnect) safety locking pin is in locked position before using.
8. Clean off hose ends before plugging into tractor hydraulics. If spreader is equipped with hydraulic drive on spreading attachment, make sure tractor has sufficient oil flow and pressure to maintain satisfactory spread pattern, if not use another tractor.

18000L TANK COMPLETE

KEYS	PARTS NUMBER	DESCRIPTION	QTY
1	358-31-00-000	18000L Tank & Sill Assy.	1
2	340-01-01-000	18000L Tank Assy	1
3	340-01-02-000	RH Sill Assy.	1
4	340-01-03-000	LH Sill Assy.	1
<hr/>			
5	364-02-19-000	Ladder Bottom Rung Assy.	1
6	340-41-00-000	Clamping Bracket Assy.	2
7	340-01-20-000	Axle Rear Stop Assy.	2
8	340-62-00-000	Husky Flag Kit	1
<hr/>			
9	364-49-00-000	Long Manhole Safety Bar	1
10	340-01-01-301	Tank Shell	3
11	340-01-01-300	Tank Ends	2
12	340-01-01-302	Baffle	2
<hr/>			
13	364-02-00-006	Manhole	1
14	300-01-00-012	Lift Hook	3
15	300-01-00-016	Baffle Bracket	32
16	340-01-01-459	Baffle Gusset	8
<hr/>			
17	340-01-06-312	Tank End Stiffener	2
18	340-01-06-464	Stiffener Cap	4
19	364-02-00-008	Ladder Rung	9
20	364-02-19-151	Ladder Bottom Rung	1

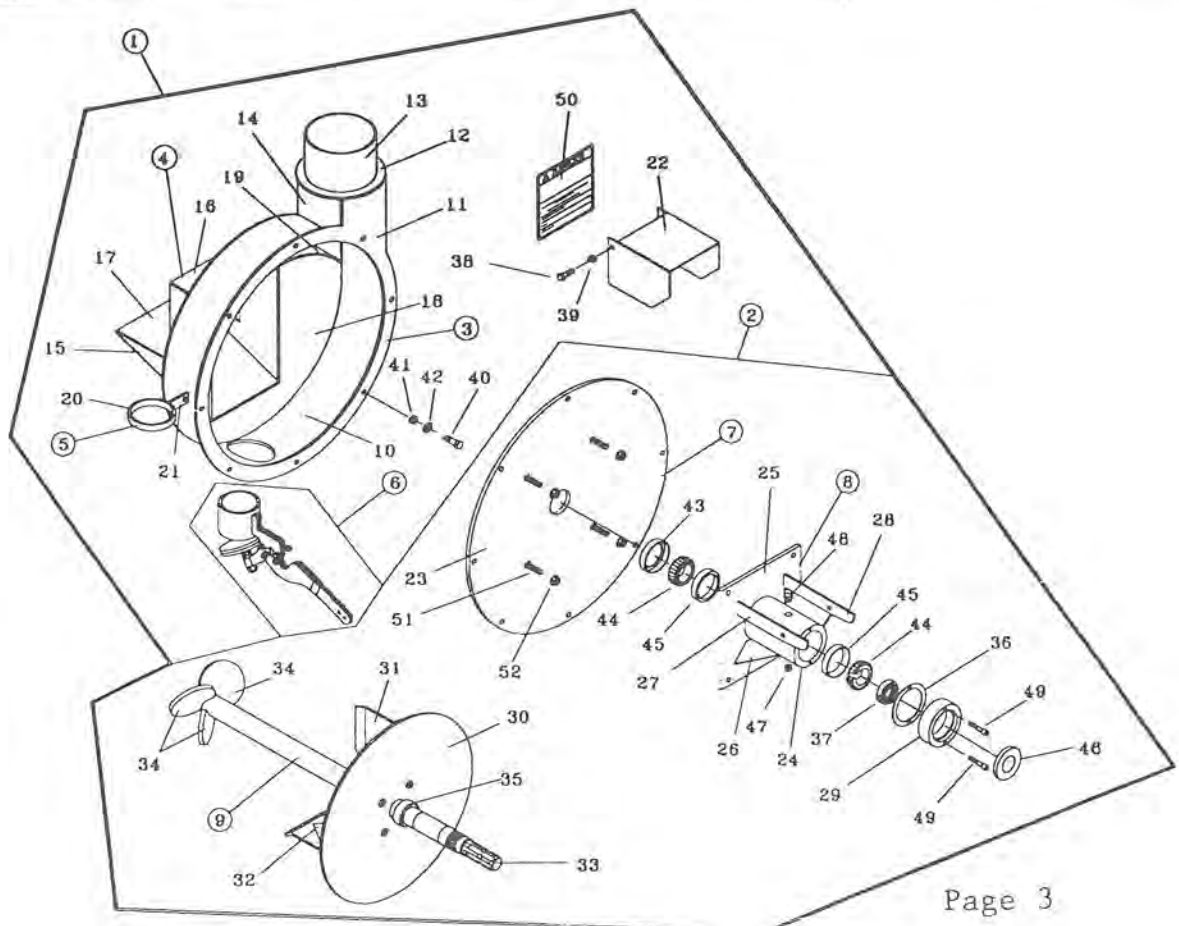


18000L TANK COMPLETE CONTINUED

<u>KEYS</u>	<u>PARTS NUMBER</u>	<u>DESCRIPTION</u>	<u>QTY</u>
21	364-02-19-152	Ladder Top Piece	1
22	364-02-00-153	Ladder Bracket	2
23	364-49-00-164	Long Manhole Safety Bar	1
24	340-01-20-446	Axle Rear Inner Stop	2
25	340-01-20-447	Axle Rear Outer Support	2
26	340-01-00-445	Front Spacer	2
27	300-00-00-448	Scraper Blade Bolt	2
28	315-31-00-115	Tongue "U" Piece	2
29	340-01-02-303	Sill	2
30	340-01-06-311	Sill Cap	4
31	340-01-07-460	Tank Support Hold Down Bracket	2
32	340-01-00-498	Serial Number Plate	1
33	340-01-02-304	Sill Reinforcing	2
34	340-01-02-305	End Sill Stiffeners	8
35	340-01-00-546	Reinforcing Plate	3
36	340-41-00-442	Clamping Bracket	2
37	340-41-00-443	Clamping Bracket Gusset	4
38	340-41-00-444	Filler Bar	2
39	364-00-00-155	Manhole Safety Bars	2
40	340-00-00-536	Flag Spring Holder	1
41	R08037	Flag Spring	1
42	R09735	Husky Flag	1
43	R21371	Plastic Tip	1
44	R08207	3/32 x 1 1/2 SS. Cotter Pin	3
45	R09501	Slow Moving Vehicle Sign	1
46	R09784	"Danger - Toxic Gas..." Decal	1
47	R09510	"Husky" Decal	2
48	R09511	Accent Stripe	2
49	R09509	"Made In Canada" Decal	1
50	R09730	"Tire Pressure" Decal	1
51	R09512	Capacity Sticker	1
52	R09783	"Caution" Decal	1
53	R07926	5/16-18 x 1/4 SS Set Screw	1
54	R09071	Serial Number	1
55	R08152	#6 x 1/4 Pan Head Screw	2
56	R07878	3/4" Nylon Insert Nut	2
57	364-47-00-000	Manhole Safety Bar Assy.	2
58	R07825	1/2" Flat Washer	3
59	R10096	Red Reflector	2
60	R10097	Amber Reflector	1

FAN & HOUSING KIT

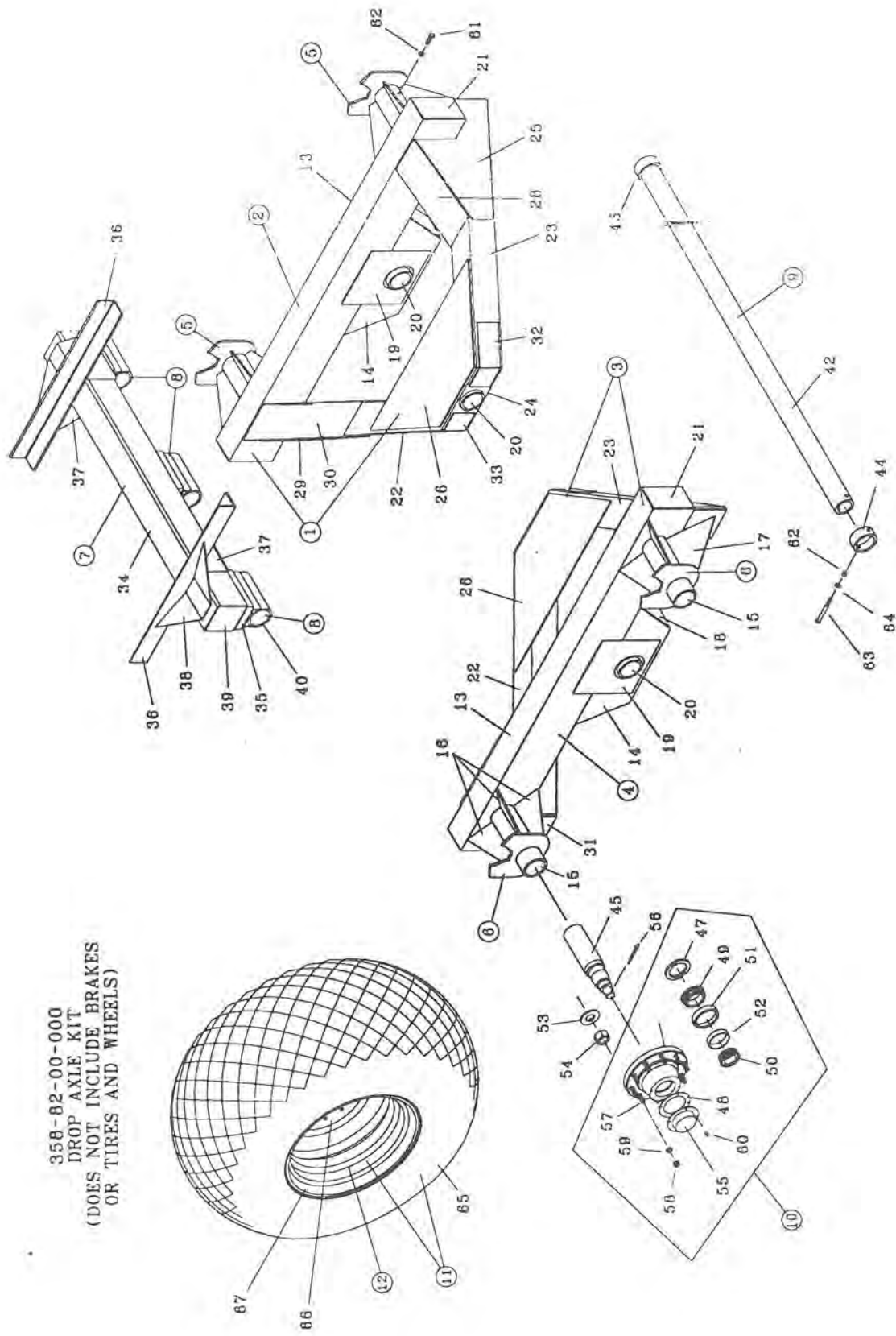
KEYS	PARTS NUMBER	DESCRIPTION	QTY
1	364-23-00-000	Model E Fan & Housing Kit 540 RPM	1
	364-56-00-000	Model E Fan & Housing Kit 1000 RPM	*
2	364-65-00-000	540 Fan, Cover Plate, & Brg Kit	1
	364-66-00-000	1000 Fan, Cover Plate, & Brg Kit	*
3	364-01-03-000	Fan Housing Assembly	1
4	364-01-15-000	Housing Back Plate Assembly	1
5	364-41-00-000	PTO Holder Assembly	1
6	364-62-00-000	Drain Plug Kit	1
7	364-67-00-000	Cover Plate Assembly	1
8	364-61-00-000	Bearing Holder Assembly	1
9	364-72-00-000	Fan, Shaft & Agitator Assy - 540	1
	364-73-00-000	Fan, Shaft & Agitator Assy -1000	*
10	364-01-03-018	Housing Band	1
11	364-01-03-019	Housing Flange	1
12	364-01-03-062	Discharge Ring	1
13	364-01-03-063	Discharge Tube	1
14	364-01-03-081	Fan Housing Vertical Pc	1
15	364-01-03-103	Outlet Side Pc	2
16	364-01-03-104	Outlet Top Pc	1
17	364-01-03-105	Outlet Bottom Pc	1
18	364-01-03-106	Housing Back Plate	1
19	364-01-03-156	Housing Band Aid	1



FAN.& HOUSING KIT CONTINUED

<u>KEYS</u>	<u>PARTS NUMBER</u>	<u>DESCRIPTION</u>	<u>QTY</u>
20	364-41-00-132	Pto Holder	1
21	364-41-00-133	Pto Holder Brkt	1
22	364-00-00-029	Flip Guard	1
23	364-67-00-211	Cover Plate	1
24	364-61-00-191	Brg Tube	1
25	364-61-00-192	Seal Tube Back Plate	1
26	364-61-00-193	Seal Tube Gusset	2
27	364-61-00-197	RH Flip Guard Brkt	1
28	364-61-00-198	LH Flip Guard Brkt	1
29	364-00-00-196	Seal Tube Cap	1
30	364-63-00-209	Impeller Back Plate	1
31	364-63-00-208	540 RPM Fan Blade	4
	364-64-00-210	1000 RPM Fan Blade	*
32	364-03-00-024	Gusset	4
33	364-72-00-226	Fan Shaft	1
34	364-72-00-227	Agitator Blades	3
35	R20238	Hardened Sleeve	1
36	364-00-00-225	Cap Gasket	1
37	364-00-00-212	Stake Nut	1
38	R07619	3/8 x 1 Hex Bolt	2
39	R07886	3/8 Lock Nut	2
40	R07671	7/16 x 1 1/4 Hex Bolt	8
41	R07784	7/16 Hex Nut	8
42	R07804	7/16 Lock Washer	8
43	R21184	Seal	1
44	R20115	Cone	2
45	R20113	Cup	2
46	R21185	Seal	1
47	R02169	Pipe Plug	1
48	R20685	Vent Plug	1
49	R08175	5/16-18 UNC x 1 3/4 Cap Screw	2
50	R09785	"Danger" Decal	1
51	R07774	7/16 x 1 1/4 Carriage Bolt Gr. 5 Black	4
52	R07879	7/16 Flange Nut	4

358-02-00-000
 DROP AXLE KIT
 (DOES NOT INCLUDE BRAKES
 OR TIRES AND WHEELS)



358-82-00-000 DROP AXLE KIT

<u>KEYS</u>	<u>PARTS NUMBER</u>	<u>DESCRIPTION</u>	<u>QTY</u>
1	358-83-00-000	R.H. Tandem Side Assy	1
2	358-83-01-000	R.H. Walker Assy	1
3	358-84-00-000	L.H. Tandem Side Assy	1
4	358-84-01-000	L.H. Walker Assy	1
5	340-08-10-000	R.H. Brake Caliper Mount Plate Assy	2
6	340-09-29-000	L.H. Brake Caliper Mount Plate Assy	2
7	358-85-00-000	Base Frame Assy	1
8	340-07-08-000	Stationary Sleeve Assy	3
9	358-06-00-000	Main Axle Tube Assy	1
10	340-43-00-000	16000 LB - 10 Bolt Hub Kit	4
11	330-04-00-000	28L x 26 Tire & Wheel Assy	4
	340-18-00-000	23.5L x 25 Tire, Tube & Wheel Assy	*
12	330-04-43-000	Wheel Assy For 28L Tire	4
	340-18-24-000	Wheel Assy For 23.5L Tire	*
13	358-83-01-228	Walking Beam	1
14	358-83-01-229	Drop Tube	2
15	358-83-01-230	Spindle Sleeve	4
16	358-83-01-231	Small Spindle Sleeve Gusset	12
17	358-83-00-232	Large Spindle Sleeve Gusset	4
18	358-83-01-233	Drop Tube End Cap	4
19	358-83-01-234	Drop Tube Reinforcing Plate	4
20	358-83-01-235	Walker Sleeve	4
21	358-83-01-236	Walking Beam End Cap	4
22	358-83-00-237	Front Tandem Arm	2
23	358-83-00-238	Rear Tandem Arm	2
24	358-83-00-239	Middle Connector Tube	2
25	358-83-00-240	Rear Gusset	4
26	358-83-00-241	Middle Reinforcing Plate	4
27	358-83-00-242	Rear Tandem Arm End Cap	2
28	358-83-00-243	Rear Gusset Cap	2
29	358-83-00-244	Front Gusset	4
30	358-83-00-246	Front Gusset Cap	2
31	358-83-00-247	Front Tandem Arm End Cap	2
32	358-83-00-248	Rear Tie Plate	2
33	358-83-00-249	Front Tie Plate	2
34	358-85-00-250	Cross Axle Support	1
35	358-85-00-251	Spacer Bar	3
36	315-35-00-131	Sill Angle Plate	2
37	340-04-00-330	Double Gusset	4
38	340-11-00-354	Reinforcing Plate	2
39	340-07-00-329	Cover Plate	2
40	340-07-08-322	Stationary Sleeve	3
41	340-07-08-323	Sleeve Channel	3
42	358-86-00-252	Main Axle Tube	1

358-82-00-000 DROP AXLE KIT COUNTINUED

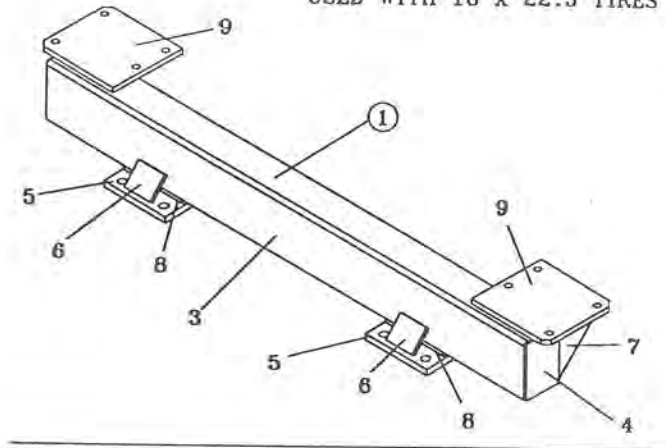
<u>KEYS</u>	<u>PARTS NUMBER</u>	<u>DESCRIPTION</u>	<u>QTY</u>
43	340-63-00-538	Stop Ring	1
44	340-00-00-346	Retaining Ring	1
45	340-00-00-347	Spindle	4
46	340-43-00-451	16000 LB - 10 Bolt Hub w/ Cups	4
47	R20083	Seal CR-38730	4
48	R20084	Dust Cap Gasket	4
49	R20086	Inner Cone - 476871	4
50	R20087	Outer Cone - 39585	4
51	R20088	Inner Cup - 47620	4
52	R20089	Outer cup - 39520	4
53	R20091	Spindle Washer	4
54	R20092	Spindle Nut 1 3/4 - 12 UNF	4
55	R20093	Dust Cap	4
56	R20095	Cotter Pin	4
57	R20096	Wheel Bolts 3/4 - 16 UNF	40
58	R07820	3/4"-16 UNF Fedalloy Hex Nut	40
59	R20152	3/4" Spherical Washer	40
60	R07690	Dust Cap Bolt 5/16 x 5/8	16
61	R07927	5/8 x 1 1/2 Sq Hd Sct Screw	8
62	R07786	5/8 Hex Nut	8
63	R07653	5/8 x 6 Hex Bolt	1
64	R07806	5/8 Lock Washer	1
65	R20015	28L x 26 Tire	4
	R20012	23.5L x 25 Tire	*
66	R20052	Centre Disc For 28L x 26 Wheel	4
	R20055	Centre Disc For 23.5L x 25 Wheel	*
67	R20053	Rim For 28L x 26 Tire	4
	R20060	Rim For 23.5L x 25 Tire	*

TONGUE CROSS SUPPORT

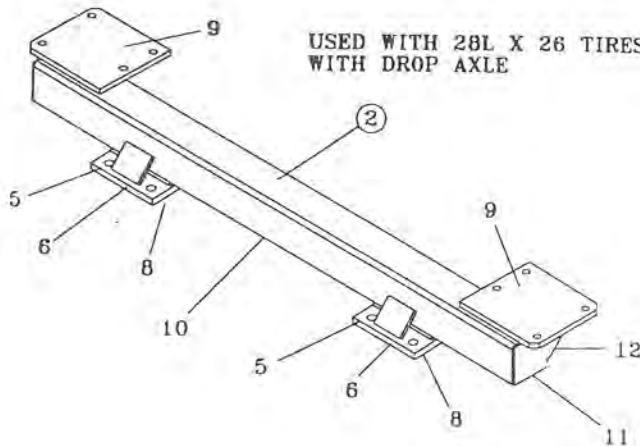
<u>KEYS</u>	<u>PARTS NUMBER</u>	<u>DESCRIPTION</u>	<u>QTY</u>
1	358-45-00-000	Cross Member Assy - 18 x 22.5 Tires	1
2	358-81-00-000	Cross Member Assy - 28L x 26 Tires	*
3	358-45-00-146	Cross Member - 18 x 22.5 Tires	1
4	358-45-00-147	End Cap	2
<hr/>			
5	358-45-00-148	Tongue Strap	2
6	364-02-17-123	Tongue Strap Gusset	2
7	358-45-00-149	Gusset	2
8	358-45-00-150	Filler Rod	2
<hr/>			
9	340-01-07-460	Tank Support Hold Down Bracket	2
10	358-81-00-277	Cross Member - 28L x 26	1
11	358-81-00-278	End Cap	2
12	358-81-00-279	Gusset	2

TONGUE CROSS SUPPORT

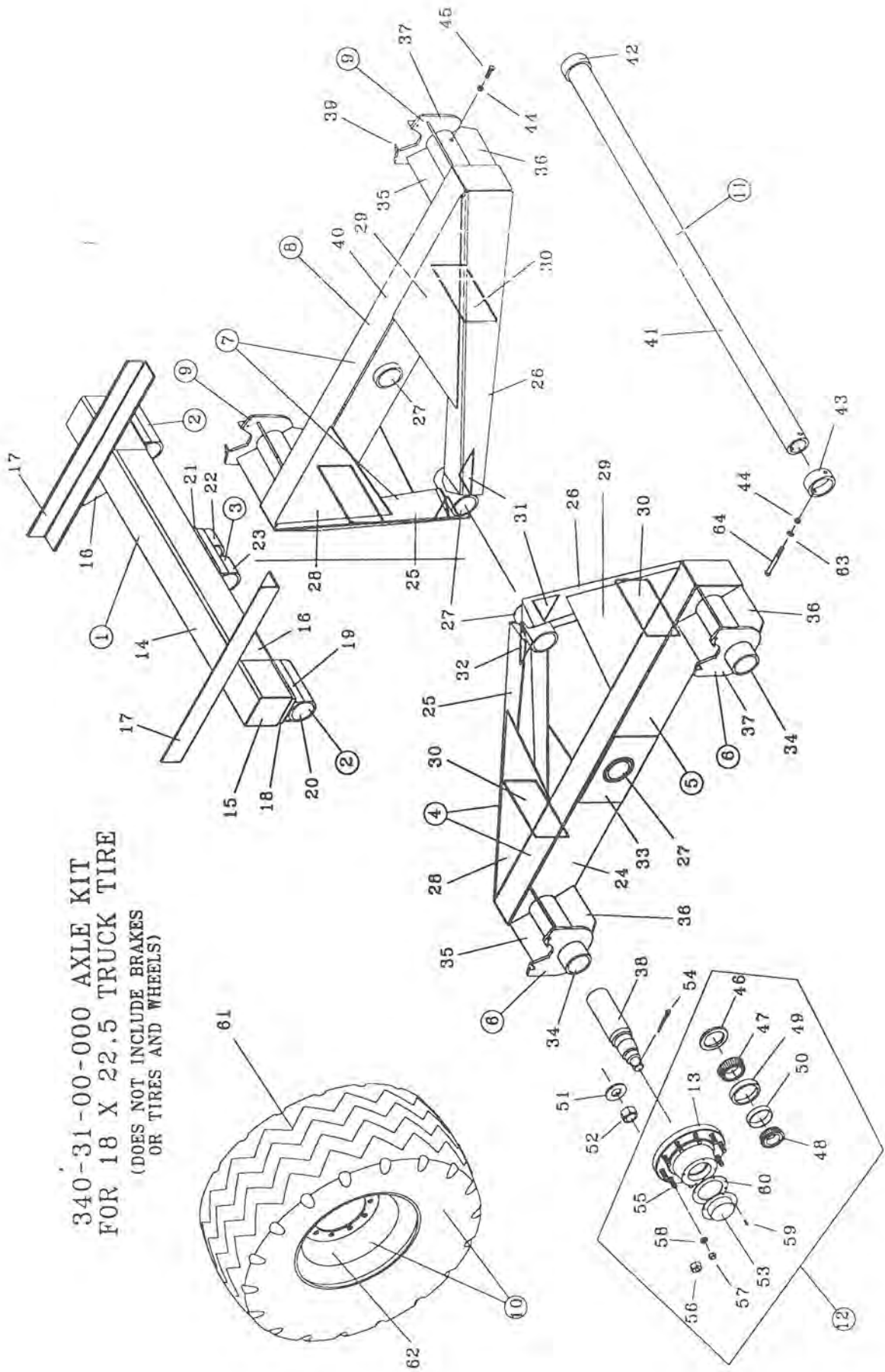
USED WITH 18 X 22.5 TIRES



USED WITH 28L X 26 TIRES
WITH DROP AXLE



340-31-00-000 AXLE KIT
 FOR 18 X 22.5 TRUCK TIRE
 (DOES NOT INCLUDE BRAKES
 OR TIRES AND WHEELS)



AXLE KIT FOR 18 X 22.5 TRUCK TIRE

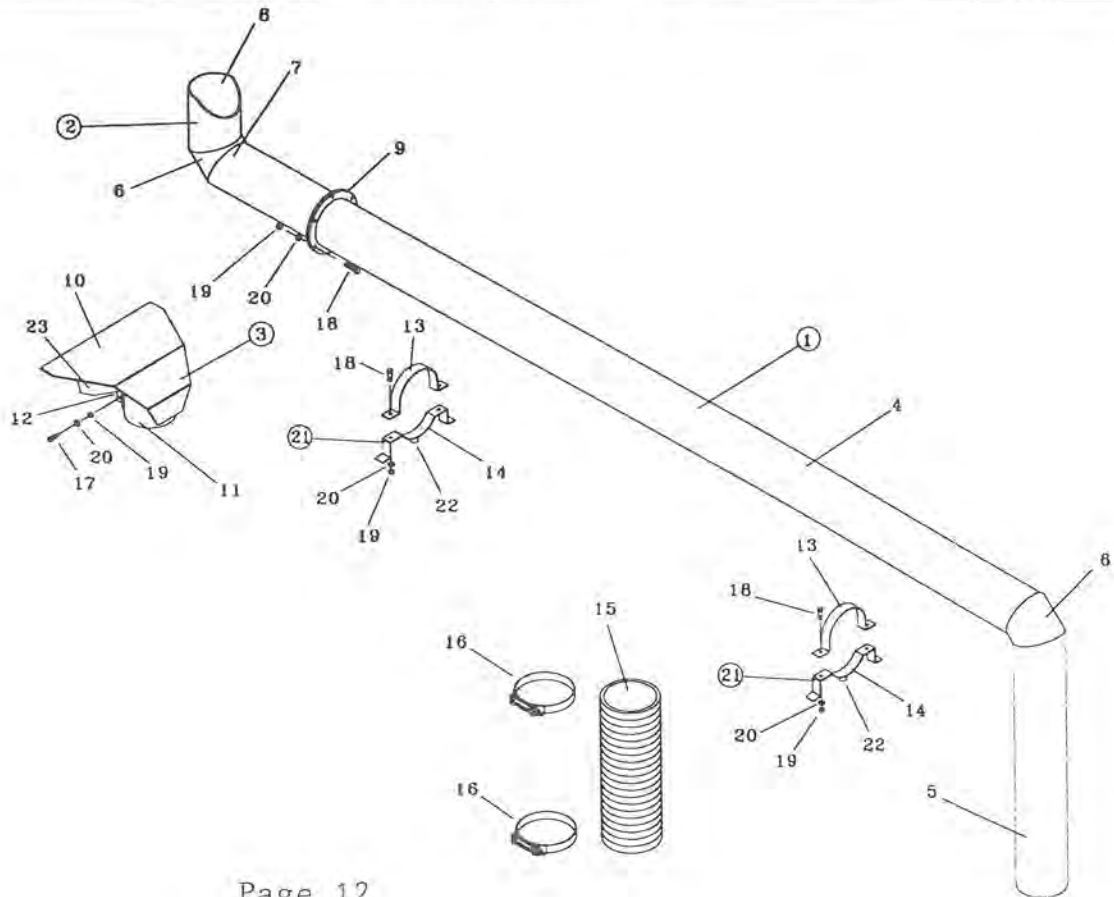
<u>KEYS</u>	<u>PARTS NUMBER</u>	<u>DESCRIPTION</u>	<u>QTY</u>
1	340-07-00-000	Base Frame Assy.	1
2	340-07-08-000	Stationary Sleeve Assy.	2
3	340-07-09-000	Centre Sleeve Assy.	1
4	340-08-00-000	R.H. Tandem Side Assy.	1
5	340-08-32-000	R.H. Walking Beam Assy.	1
6	340-08-10-000	R.H. Caliper Mounting Plate	2
7	340-09-00-000	L.H. Tandem Side Assy.	1
8	340-09-33-000	L.H. Walking Beam Assy.	1
9	340-09-29-000	L.H. Caliper Mounting Plate	2
10	340-19-00-000	Tire & Wheel Assy. 18 x 22.5	4
11	340-64-00-000	Main Axle Tube Assy.	1
12	340-43-00-000	10 Bolt Hub Complete	4
13	340-43-00-451	10 Bolt Hub w/Cups - 16000 Lb	4
14	340-07-00-328	Cross Axle Support	1
15	340-07-00-329	Cover Plate	2
16	340-07-00-330	Double Gusset	4
17	315-35-00-131	Sill Angle Plate	2
18	340-07-00-324	Spacer	2
19	340-07-08-323	Side Sleeve Channel	2
20	340-07-08-322	Stationary Sleeve	2
21	340-07-00-327	Centre Sleeve Spacer	1
22	340-07-09-326	Centre Sleeve Channel	1
23	340-07-09-325	Centre Sleeve	2
24	340-08-00-335	R.H. Walking Beam	1
25	340-08-00-338	Tandem Side Arm - Rear	2
26	340-08-00-337	Tandem Side Arm - Front	2
27	340-08-00-341	Rocker Sleeve	4
28	340-08-00-527	Walking Beam Gusset - Rear	4
29	340-08-00-528	Walking Beam Gusset - Front	4
30	340-08-00-344	Vertical Brace	4
31	340-08-00-339	L.H. Tandem Gusset	2
32	340-08-00-340	R.H. Tandem Gusset	2
33	340-12-03-533	Rocker Sleeve Reinforcing Plate	2
34	340-08-00-342	Spindle Sleeve	4
35	340-08-32-534	Spindle Sleeve Gusset - Upper	8
36	340-08-32-535	Spindle Sleeve Gusset - Lower	8
37	340-08-10-332	Caliper Mounting Plate	4
38	340-00-00-347	Tandem Spindle	4
39	340-08-10-334	Caliper Plate Support	8
40	340-09-00-336	L.H. Walking Beam	1

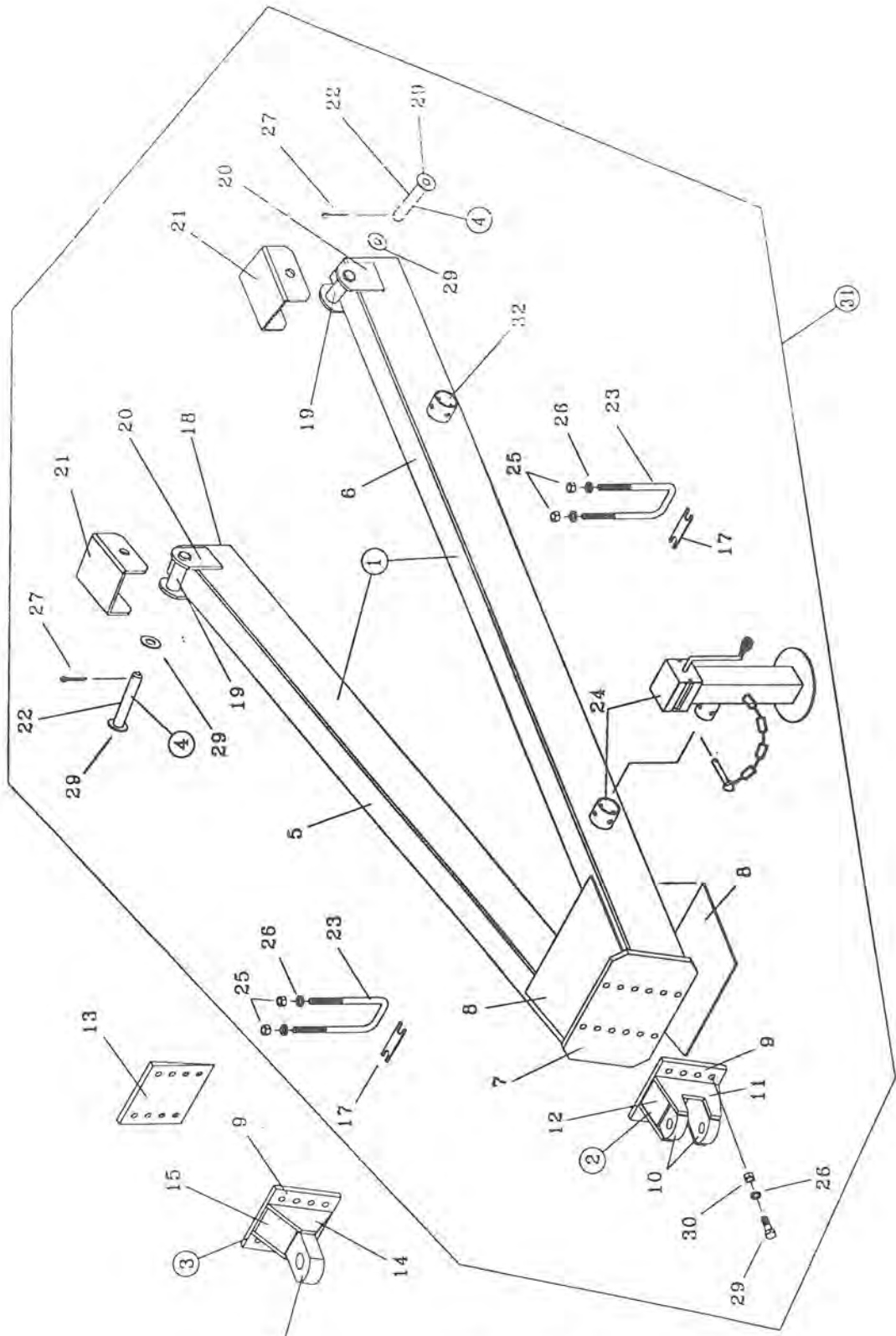
AXLE KIT FOR 18 X 22.5 TRUCK TIRE CONTINUED

<u>KEYS</u>	<u>PARTS NUMBER</u>	<u>DESCRIPTION</u>	<u>QTY</u>
41	340-64-00-539	Main Axle Tube	1
42	340-63-00-538	Stop Ring	1
43	340-00-00-346	Retaining Ring	1
44	R07786	5/8 Hex Nut	9
45	R07927	5/8 x 1 1/2 Sq. Hd. Set Screw	8
46	R20083	Seal	4
47	R20086	Inner Cone	4
48	R20087	Outer Cone	4
49	R20088	Inner Cup	4
50	R20089	Outer Cup	4
51	R20091	Spindle Washer 1 13/16	4
52	R20092	Spindle Nut 1 3/4-12 UNF	4
53	R20093	Dust Cap	4
54	R20095	Cotter Pin 5/16 x 4	4
55	R20096	Wheel Bolts	40
56	R20097	Wheel Nuts 3/4" SPA-RAD	40
57	R07820	3/4-16 UNF Fedalloy Hex Nut	*
58	R07834	3/4 Fedalloy Flat Washer	*
59	R07690	Dust Cap Bolt 5/16 x 5/8	16
60	R20084	Dust Cap Gasket	4
61	R20011	Used 18 x 22.5 Truck Tire	4
62	R20059	13.5 x 22.5 Rim - 10 Bolt	4
63	R07806	5/8 Lock Washer	1
64	R07653	5/8 x 6 Hex Bolt	1

DISCHARGE PIPE ASSEMBLY

KEYS	PARTS NUMBER	DESCRIPTION	QTY
1	358-32-00-000	Discharge Pipe Assy - 18000L	1
2	364-25-00-000	Discharge Pipe End Section	1
3	364-21-00-000	Splash Plate Assy.	1
4	359-30-00-108	Horizontal Discharge Pipe	1
5	358-32-00-109	Vertical Discharge Pipe	1
6	364-19-00-082	Discharge Pipe Corner Piece	2
7	364-25-00-088	Discharge Pipe Flange Piece	3
8	364-25-00-067	Discharge Pipe End Piece	1
9	364-19-00-087	Discharge Pipe Flange	2
10	364-21-00-069	Splash Plate	1
11	364-21-00-070	Clamping Tube	1
12	364-21-00-071	Clamping Tube Bracket	2
13	364-00-00-083	Discharge Clamp Upper Piece	2
14	364-50-00-084	Discharge Clamp Base Piece	2
15	364-00-00-066	Flex Hose	1
16	R02482	6" Clamp	2
17	R07622	3/8 x 2 1/2 Hex Bolt	2
18	R07675	3/8 x 1 1/4 Hex Bolt	10
19	R07783	3/8 Hex Nut	12
20	R07803	3/8 Lock Washer	12
21	364-50-00-000	Discharge Clamp Base Assy.	2
22	364-50-00-165	Discharge Clamp Spacer	2
23	364-21-00-224	Splash Plate Wing	2



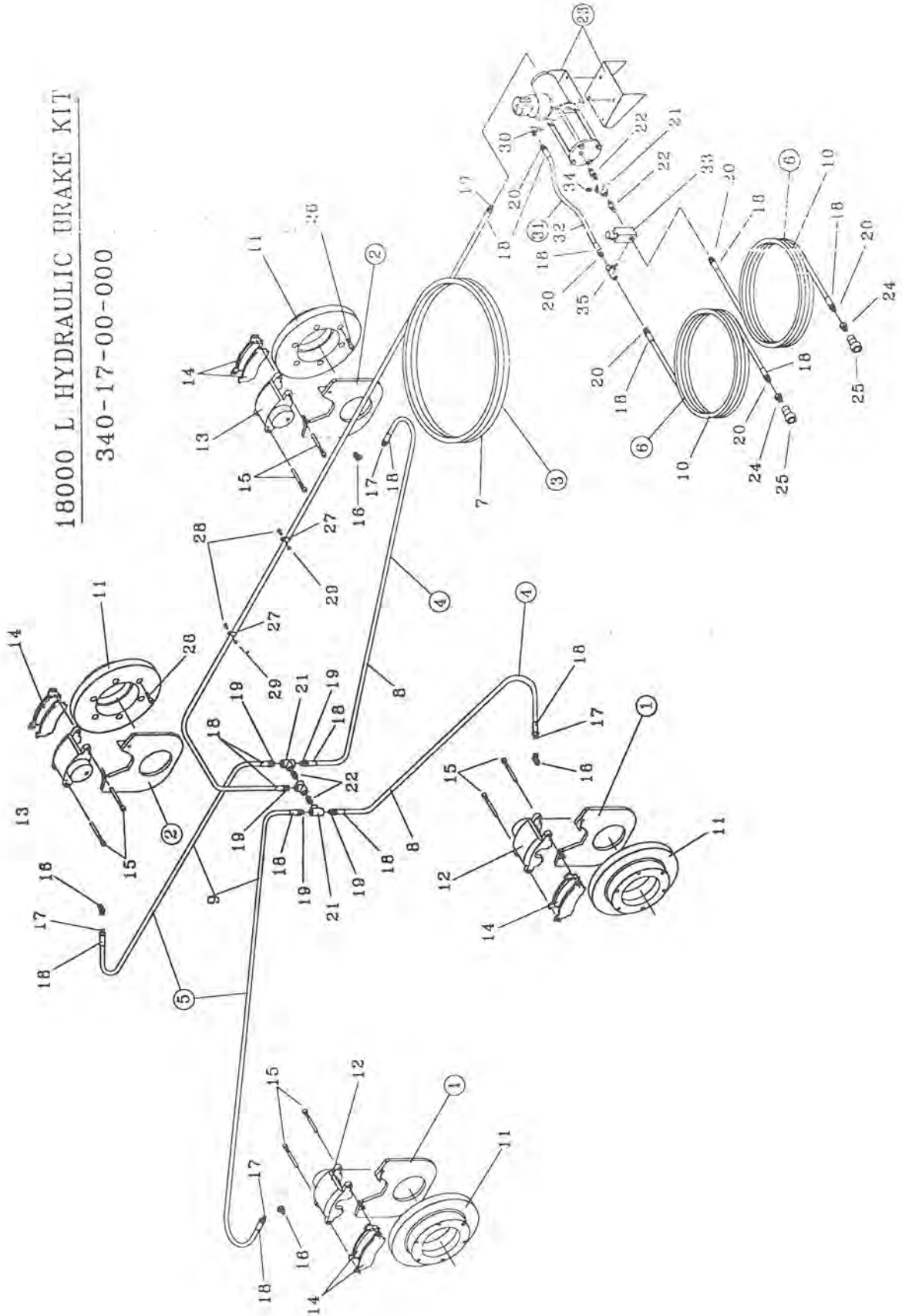


TONGUE AND HITCH

<u>KEYS</u>	<u>PARTS NUMBER</u>	<u>DESCRIPTION</u>	<u>QTY</u>
1	358-42-00-000	Tongue Assy. - 18000L	1
2	358-43-00-000	Standard Hitch Assy.	1
3	358-44-00-000	Single Point Hitch Assy	*
4	315-39-00-000	Lock Pin Assy.	2
5	358-42-00-135	R.H. Tongue Tube	1
6	358-42-00-136	L.H. Tongue Tube	1
7	358-42-00-137	Hitch Bolt Plate	1
8	358-42-00-138	Tongue Tube Gusset	2
9	358-43-00-139	Hitch Back Plate	1
10	358-43-00-140	Hitch Plate	2
11	358-43-00-141	Hitch Side Gusset	2
12	358-43-00-142	Hitch Upper Gusset	2
13	358-00-00-143	Wedge Plate	*
14	358-44-00-144	Side Gusset	2
15	358-44-00-145	Top Gusset	2
16	364-26-00-091	Single Point Hitch	1
17	364-00-00-131	"U" Bolt Spacer	2
18	315-36-00-147	Tongue Tube End Cap	2
19	315-36-00-145	Bushing	2
20	315-36-00-146	Side Piece	4
21	315-31-00-115	Tongue "U" Piece	2
22	315-39-00-155	Lock Pin	2
23	R08172	3/4 NF x 10" "U" Bolt	2
24	R10215	8000Lb Side Wind Jack	1
25	R07820	3/4" NF Hex Nut	4
26	R07807	3/4" Lock Washer	12
27	R08016	1/4 x 2 Cotter Pin	2
28	R07830	1 1/4" Flat Washer	4
29	R07655	3/4 x 2 1/2 Hex Bolt	8
30	R07787	3/4" UNC Hex Nut	8
31	358-57-00-000	Tongue & Hitch Kit	1
32	358-42-00-260	Tongue Jack Storage Bracket	1

18000 L HYDRAULIC BRAKE KIT

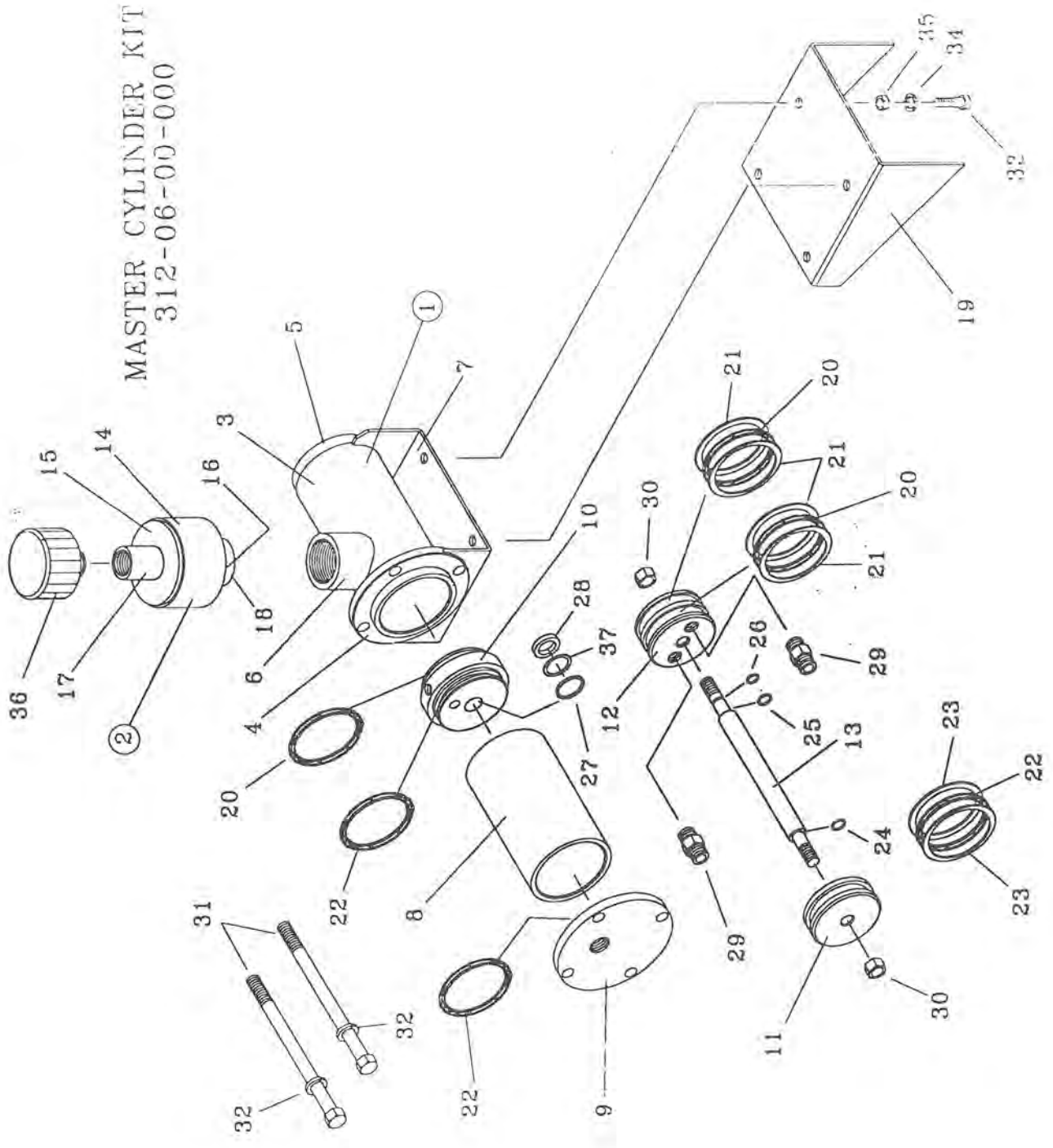
340-17-00-000



HYDRAULIC BRAKE KIT

<u>KEYS</u>	<u>PARTS NUMBER</u>	<u>DESCRIPTION</u>	<u>QTY</u>
1	340-08-10-000	Caliper Mounting Plate Assy - R.H.	2
2	340-09-29-000	Caliper Mounting Plate Assy - L.H.	2
3	340-17-38-000	Hyd. Brake Hose Assy. - Main Line	1
4	340-17-13-000	Hyd. Brake Hose Assy. - Front 18 x 22.5	2
	340-17-15-000	Hyd. Brake Hose Assy. - Front 28L x 26	*
5	340-17-14-000	Hyd. Brake Hose Assy. - Rear 18 x 22.5	2
	340-17-16-000	Hyd. Brake Hose Assy. - Rear 28L x 26	*
6	340-17-39-000	Hyd. Hose Assy.	2
7	340-17-38-544	Hyd. Hose - Main Line	1
8	340-17-13-368	Hyd. Hose - Front 18 x 22.5	2
	340-17-15-390	Hyd. Hose - Front 28L x 26	*
9	340-17-14-369	Hyd. Hose - Rear 18 x 22.5	2
	340-17-16-391	Hyd. Hose - Rear 28L x 26	*
10	340-17-39-545	Hyd. Hose	2
11	R20098	Cast Disc Brakes	4
12	R21065	R.H. Brake Caliper TC500	2
13	R21066	L.H. Brake Caliper TC501	2
14	R21067	Brake Pads (Pair)	4
15	R21070	Guide Pins	8
16	R21308	45 Deg. 7/16 SAE x 1/4 NPT Adaptor	4
17	R20807	1/4-18 NPT Solid Male Stem	4
18	R21231	Steel Ferrule (1/4" Hose)	16
19	R20806	3/8-18 NPT Swivel Male Stem	6
20	R20803	3/8-18 NPT Solid Male Stem	6
21	R21400	3/8 Pipe Tee	4
22	R21399	3/8 Hyd Nipple	4
23	312-06-00-000	Master Cylinder Kit	1
24	R02043	1/2 x 3/8 Bushing	2
25	R21342	Pioneer Coupler	2
26	R07871	1/2-20 x 3 Socket Hd. Cap Screw	24
27	R21104	Hyd. Hose Clips	12
28	R07698	1/4 x 1/2 hex Bolt	12
29	R07781	1/4 hex Nut	12
30	R21334	1/4M x 3/8 F x 90 Deg. Swivel Adaptor	1
31	312-06-05-000	Hydraulic Hose Assy.	1
32	312-06-05-048	Hydraulic Hose	1
33	R21201	Relief Valve	1
34	R02151	3/8 Pipe Plug	1
35	R21391	3/8 NPT Swivel Tee Adaptor	1

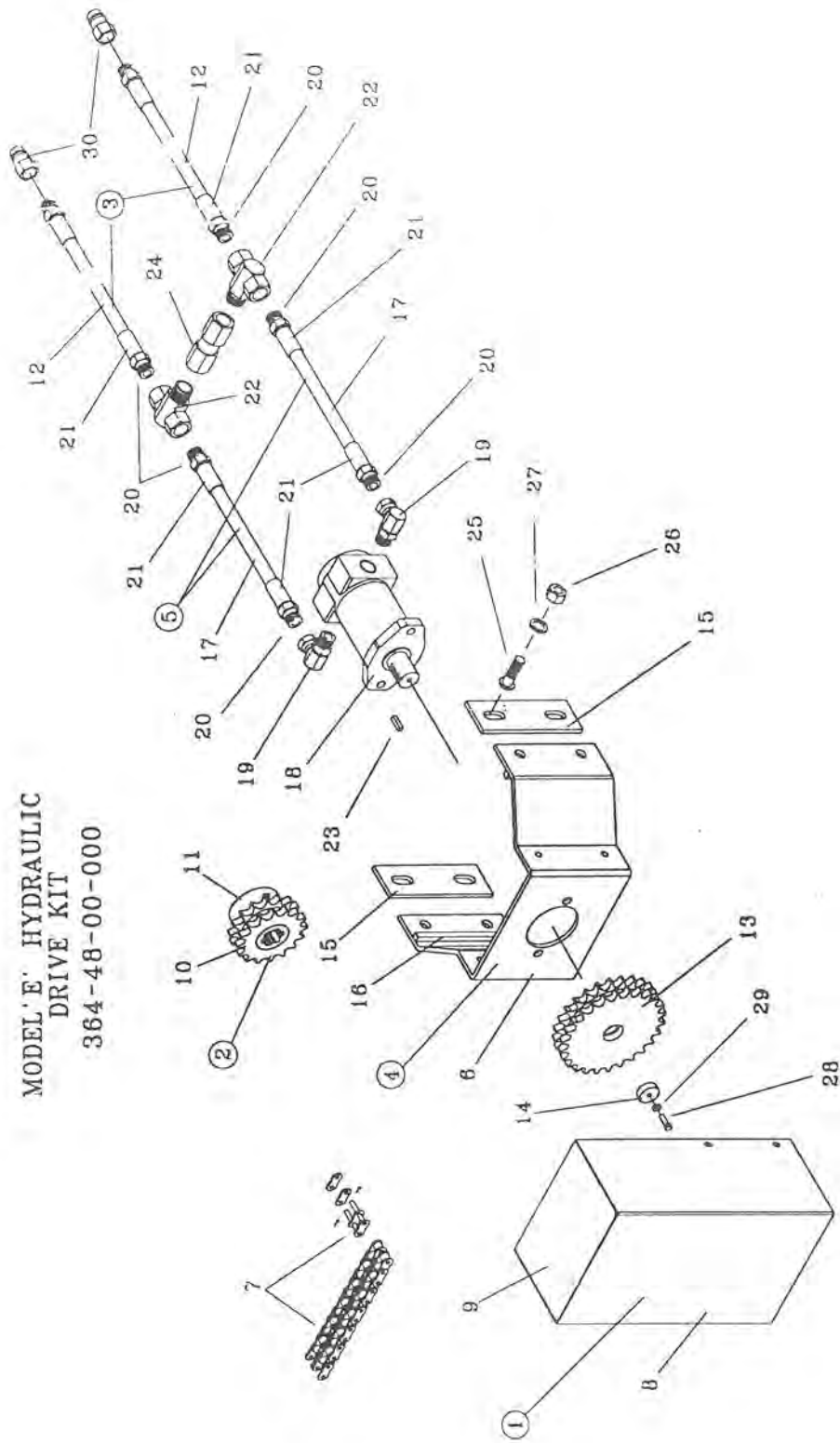
MASTER CYLINDER KIT
312-06-00-000



MASTER CYLINDER

<u>KEYS</u>	<u>PARTS NUMBER</u>	<u>DESCRIPTION</u>	<u>QTY</u>
1	312-06-02-000	Master Cylinder Tube Assembly	1
2	312-06-03-000	Reservoir Assy	1
3	312-06-02-000	Master Cylinder Tube	1
4	312-06-02-031	Master Cylinder Flange	1
5	312-06-02-032	Master Cylinder End Cap	1
6	312-06-02-033	Coupler	1
7	312-06-02-034	Mount Plate	1
8	312-06-00-035	Hydraulic Cylinder Tube	1
9	312-06-00-036	Hydraulic Cylinder End Cap	1
10	312-06-00-037	Cylinder Divider Block	1
11	312-06-00-038	Hydraulic Plunger	1
12	312-06-00-039	Master Cylinder Plunger	1
13	312-06-00-040	Shaft	1
14	312-06-03-041	Reservoir Tube	1
15	312-06-03-042	Reservoir Top Plate	1
16	312-06-03-043	Reservoir Bottom Plate	1
17	312-06-03-045	Reservoir Coupling	1
18	312-06-03-046	Reservoir Nipple	1
19	312-06-00-047	Tongue Mount Plate	1
20	R20868	EP ORing #334 (2 5/8 x 3 x 3/16)	3
21	R20873	Back Ups Teflon #334	4
22	R20836	O Ring #11-334 (2 5/8 x 3 x 3/16)	3
23	R20837	Back Ups #8-334	2
24	R20865	O Ring #11-014 (1/2 x 5/8 x 1/16)	1
25	R20870	EP Oring 014 (1/2 x 5/8 x 1/16)	1
26	R20869	EP Oring 012 (3/8 x 1/2 x 1/16)	1
27	R20871	EP Oring 210 (3/4 x 1 x 1/8)	1
28	R20872	3/4" Hytrel Rod Wiper 52-750	1
29	R21207	3/8 Check Valve	2
30	R07885	1/2"-13 UNC Lock Nut	2
31	R07679	1/2-13 UNC x 8 Hex Bolt	4
32	R07805	1/2 Lock Washer	4
33	R07620	3/8-16 UNC x 1 1/2 Hex Bolt	4
34	R07803	3/8 Lock Washer	4
35	R07783	3/8-16 UNC Hex Nut	4
36	R21103	Filler Breather	1
37	R20874	3/4" Back Up Teflon	1
38	312-07-00-000	O Ring Repair Kit	*

MODEL 'E' HYDRAULIC
DRIVE KIT
364-48-00-000



364-48-00-000 MODEL "E" HYDRAULIC DRIVE KIT

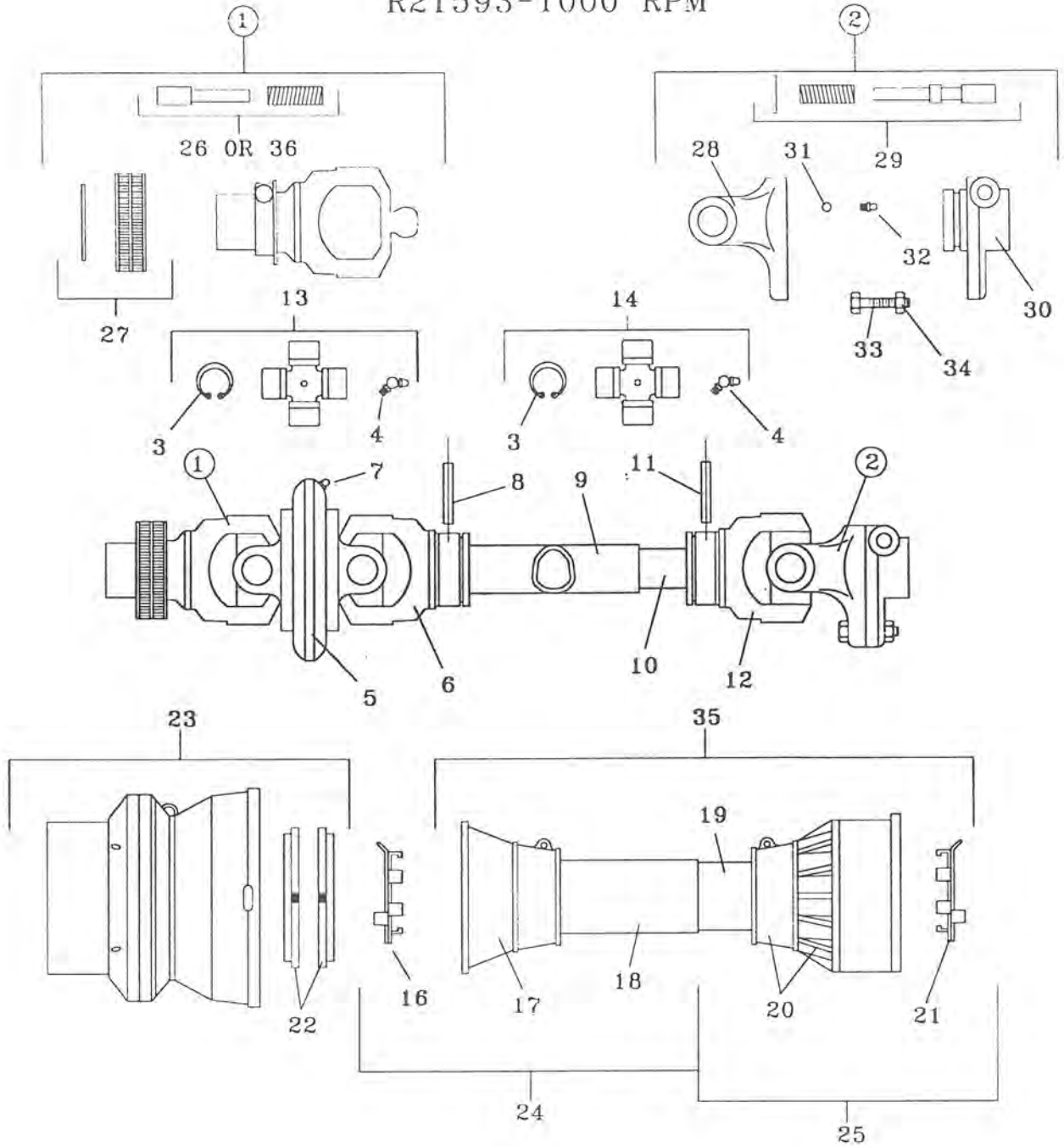
<u>KEYS</u>	<u>PARTS NUMBER</u>	<u>DESCRIPTION</u>	<u>QTY</u>
1	364-48-22-000	Guard Assembly	1
2	364-48-23-000	Fan Shaft Sprocket Assy	1
3	364-48-24-000	Hydraulic Hose Assy - To Tractor	2
4	364-48-31-000	Motor Mount Assembly	1
5	364-48-32-000	Hydraulic Hose Assy - Motor To Chk Valve	2
6	364-48-31-157	Hydraulic Motor Mount	1
7	364-48-00-158	#60 Double Roller Chain w/ Conn	1
8	364-48-22-159	Guard Body	1
9	364-48-22-160	Guard Cap	1
10	364-48-23-161	Fan Shaft Sprocket #D60B16	1
11	364-48-23-162	Spline Adaptor	1
12	364-48-24-163	3/4" Hydraulic Hose	2
13	364-48-00-166	Motor Sprocket #D60B26	1
14	364-48-00-167	Plug	1
15	364-48-00-185	Motor Mount Bracket	2
16	364-48-31-186	Guide Bar	2
17	364-48-32-187	3/4" Hydraulic Hose	2
18	R21346	110 Series Nichols - Gray Hyd Motor	1
19	R21323	7/8-14 SAE O Ring Boss 3/4 NPT SW Adaptor	2
20	R21241	3/4" Male Solid Stem	8
21	R20824	3/4" Ferrule	8
22	R21393	3/4" NPT Hyd Swivel Tee	2
23	R11114	Key	1
24	R21202	3/4" NPT In Line Check Valve	1
25	R07753	5/8 x 1 1/2 Carriage Bolt	4
26	R07786	5/8 Hex Nut	4
27	R07806	5/8 Lock Washer	4
28	R07603	1/4 x 1 1/2 Hex Bolt	1
29	R07801	1/4" Lock Washer	1
30	R21338	3/4" Pioneer Tip	2

BONDIOLI AND PAVESI PTO

C/W 80° CV JOINT

R21592-540 RPM

R21593-1000 RPM



80 DEG. BONDOLI AND PAVESI CV PTO - R21592 540 RPM
 - R21593 1000 RPM

<u>KEYS</u>	<u>MFG #</u>	<u>PART #</u>	<u>DESCRIPTION</u>	<u>QTY</u>
1		R21712	1 3/4" - 20 T Yoke	1
	573040375	R21681	Yoke w/ Bridge 540 RPM	1
	573043775	R21680	Yoke w/ Bridge 1000 RPM	1
2	606404001	R21695	Torque Lim SB 4/4	1 *
3	338009000	R21613	Circlip	8
4	348004000	R21655	Grease Nipple	3
5	511040051	R21685	Central Body	1
6	215046854	R21686	Yoke	1
7	348017000	R21687	Grease Nipple	1
8	341038000	R21475	Flexible Pin	1 *
9	225310630	R21689	Cardan Tube	1
10	245100630	R21690	Cardan Tube CM	1
11	341048000	R21476	Flexible Pin	1 *
12	204046852	R21472	Inner Tube Yoke	1 *
13	412040012	R21682	Cross Journal Assy	2
14	41204	R21693	Cross Journal Assy	1
15	338017000	R21694	Circlip	4
16	255040005	R21696	O. Bearing 3-4	1 *
17	254040024	R21697	O. Basic Cones N3-4	1
18	236680577	R21698	CM Safety Tube	1
19	236670577	R21699	CM Safety Tube	1
20	517040061	R21700	I. Cone Set N3-4	1
21	255040006	R21701	I. Bearing 3-4	1 *
22	255040351	R21702	Ring Nut Dowels	1
23	517048001	R21703	Complete Shell	1
24	5NE4078W1654	R21709	Half Safety Guard	1
25	5NI40788NN	R21710	Half Safety Guard	1
26	403000001	R21669	Complete Push Button	1 ~
27	240080061	R21670	Hub	1 ~
28	213040020	R21704	Shear Yoke	1
29	401000001	R21451	Complete Push Button	1~*
30	513070324	R21706	Hub c/w Quick Disconnect	1
31	362002000	R21705	1/4" Ball	23
32	348012000	R21672	Grease Nipple	1
33	432000047	R08251	M8 1.25 x 45 Bolt	1
34		R08252	M8 1.25 x Lock Nut	1
35	5N04078W1654	R21711	Safety Guard	1
36	403000011	R21735	Push Pin for 1 3/4 - 20 T Turnlok	

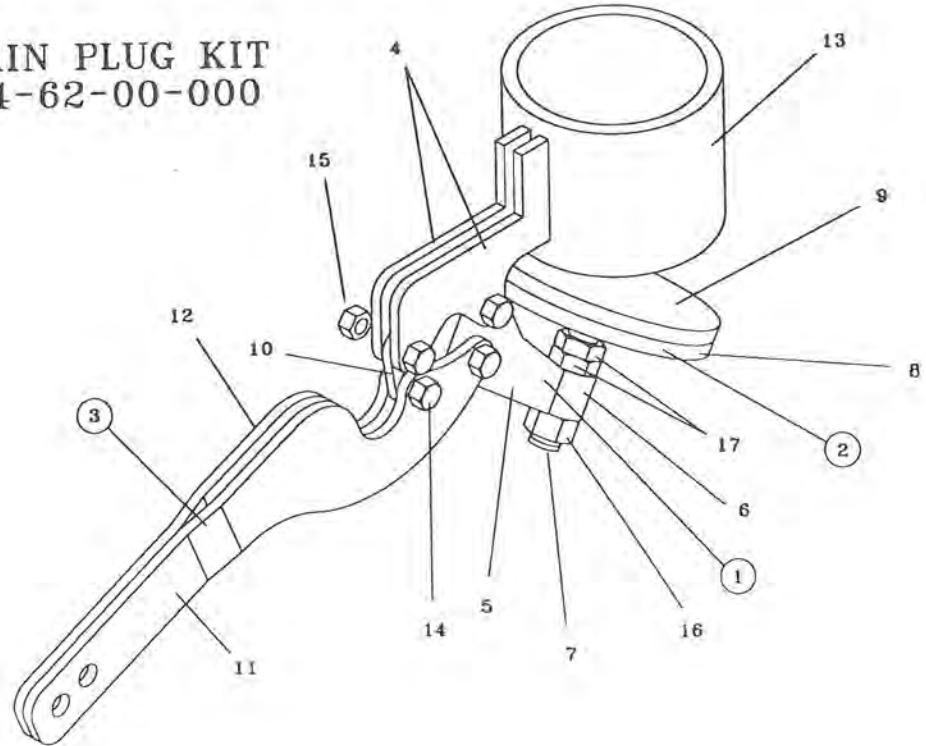
* Same as 70 Deg. CV. PTO

~ Same as K31

DRAIN PLUG KIT

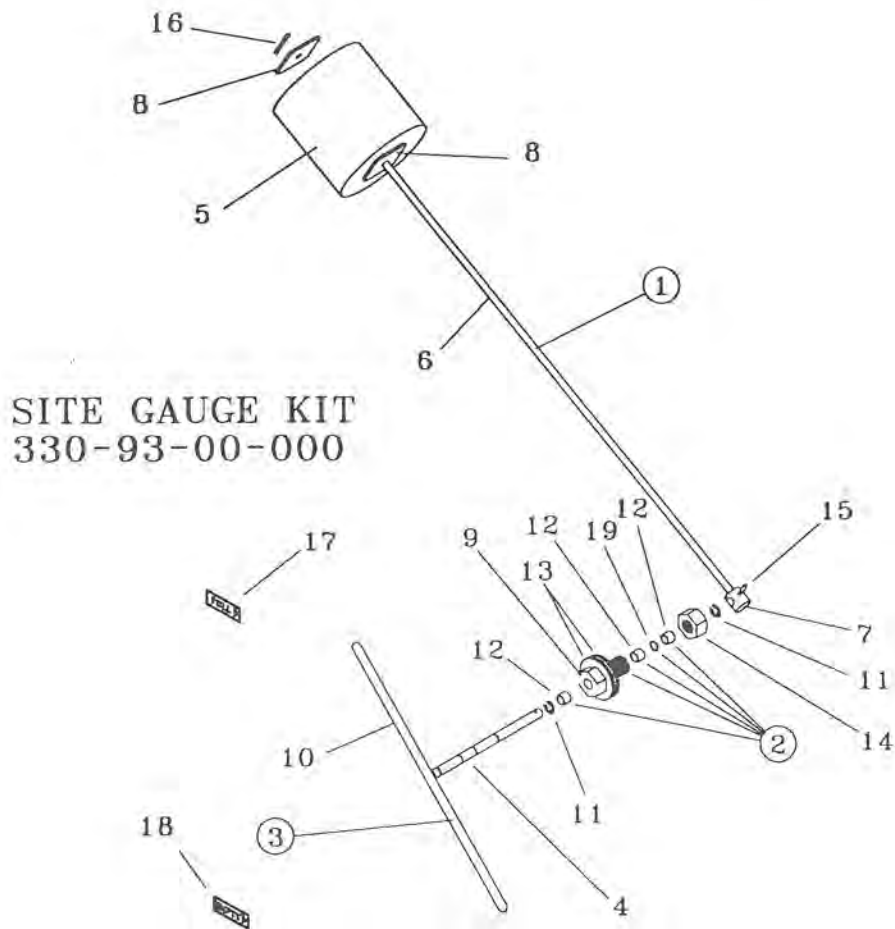
KEYS	PARTS NUMBER	DESCRIPTION	QTY
1	364-62-01-000	Drain Plug Sleeve Assy	1
2	364-62-02-000	Plug Assy	1
3	364-62-03-000	Handle Assy	1
4	364-62-00-199	Housing Brkt	2
5	364-62-01-200	Sleeve Linkage	1
6	364-62-01-201	Sleeve	1
7	364-62-02-202	Adjustment Rod	1
8	364-62-02-203	Plug Plate	1
9	364-62-02-204	Plug Rubber	1
10	364-62-00-205	Short Linkage	1
11	364-62-03-206	LH Handle	1
12	364-62-03-207	RH Handle	1
13	364-01-03-110	Drain Pipe	1
14	R08176	1/4-20 UNC x 7/8 Short Thrd Bolt	4
15	R08048	1/4-20 Lock Nut	4
16	R07885	1/2-13 UNC Hex Nyloc Nut	1
17	R08046	1/2-13 UNC Jam Nut	2

DRAIN PLUG KIT
364-62-00-000



SIGHT GAUGE KIT

<u>KEYS</u>	<u>PARTS NUMBER</u>	<u>DESCRIPTION</u>	<u>QTY</u>
1	330-93-30-000	Float Arm Assy	1
2	330-93-31-000	Bronze Brg Holder Assy	1
3	330-93-32-000	Indicator Arm Assy.	1
4	330-93-32-374	Connector Shaft	1
<hr/>			
5	330-93-00-375	Float	1
6	330-93-00-376	Float Arm	1
7	330-93-30-377	Boss	1
8	330-93-30-378	Float Straps	2
<hr/>			
9	330-93-31-379	Bronze Bearing Holder	1
10	330-93-32-424	Indicator Arm	1
11	R07974	External Retaining Ring	2
12	R21173	1/2 x 5/8 x 1/2 Bronze Bushing	3
<hr/>			
13	R07828	1" Flat Washer	2
14	R07788	1" Hex Nut	1
15	R08241	3/16 x 1 SS. Roll Pin	1
16	R08021	1/8 x 1 SS Cotter Pin	1
<hr/>			
17	R09529	"Full" Sticker	1
18	R09530	"Empty" Sticker	1
19	R20865	1/2 x 5/8 x 1/16 O Ring	1



SITE GAUGE KIT
330-93-00-000

