

Office Copy
June 21/95 10 AM
Oct 10/95 5 m
Nov 14/95 3 m

Date Purchased _____ Machine Serial No. _____

Size of Spreader _____ Options _____

PLEASE NOTE:

The key number system in this parts book is arranged as follows:

- 0 -- Key number with one circle denotes main assemblies
- Key Numbers not circled are individual parts.

Please order parts by number

18000L MODEL "E"

HUSKY LIQUID MANURE SPREADER

OPERATING INSTRUCTIONS:

1. Heed all warnings.
2. Minimum HP requirements to safely operate on level terrain, on hilly terrain HP should be increased.

4500L	70 HP
7000L	85 HP
9000L	95 HP
12000L	110 HP
14000L	130 HP
15000L	140 HP
18000L	160 HP
23000L	200 HP
3. If machine is equipped with hydraulic brakes that are operated from the tractor hydraulics, they will not work should the tractor motor stop.

Inspect brakes before each use. Brakes must be bled before initial use unless installed at factory.

When releasing brakes the tractor hydraulic lever must be put in the opposing position to release pressure. Do not put in float position they will not release.
4. Tractor PTO spline must be approximately 14" (355 mm) from end of compressed PTO for proper adjustment.
5. Hitch tanker to tractor with minimum of 1" (25mm) hardened hitch pin with a safety lock. Use 10,000 Lbs safety chain from spreader to tractor.
6. Do not use tongue jack stand to support loaded spreader. Put jack in storage position before using.
7. When hooking PTO to tractor make sure motor is stopped. Make sure QD (Quick Disconnect) safety locking pin is in locked position before using.
8. Clean off hose ends before plugging into tractor hydraulics. If spreader is equipped with hydraulic drive on spreading attachment, make sure tractor has sufficient oil flow and pressure to maintain satisfactory spread pattern, if not use another tractor.

OPERATING INSTRUCTIONS continued:

9. After using spreader in freezing conditions make sure impeller housing is drained.
10. Wash tank inside and out each time work is finished. This will increase life of tank by many years. See item 6 of Safety instructions.
11. Do not drive on public roads after dusk unless equipped with lights required by Department of Transportation in your area.
12. Remove wheels annually and grease wheel bearings.
13. Because manure smells, many farmers have made unfriendly neighbours. If in a residential area a manure injector is a recommended option to bury the smell.
14. Much of the fertilizer value of manure is lost when exposed to air. Getting the manure covered quickly is a very important part of spreading manure.
15. If rustproof coating on interior shows signs of deterioration, have interior repainted. This can be done with a roller or brush. This helps to increase the life of your spreader. It is a valuable maintenance procedure.

SAFETY INSTRUCTIONS:

Do not operate this machine until you fully understand the safe operating practices.

1. Make sure all moving parts are shielded to prevent coming in contact with loose clothing.
2. Keep children clear, do not let children or anyone ride on the spreader at anytime.
3. Do not support loaded spreader on tongue jack.
4. Keep tire pressure to recommended pressure at all times. Recommended tire pressure being:

		Lbs	KPA
40 x 14	Airplane Tires	55	379
44 x 16	Airplane Tires	55	379
47 x 18 x 18	Airplane Tires	55	379
50 x 20 x 20	Airplane Tires	55	379
16.5L x 16.1	Implement Tires	35	241
21.5L x 16.1	Implement Tires	35	241
18.4L x 26	Turf Tires	26	180
28L x 26	Turf Tires	24	166
23.5L x 25	Loader Dozer Tires	55	379
18L x 22.5	Truck Tires	65	448

1 Lb = 6.8947 KPA

5. Keep wheel bolts torqued to recommended torque at all times.

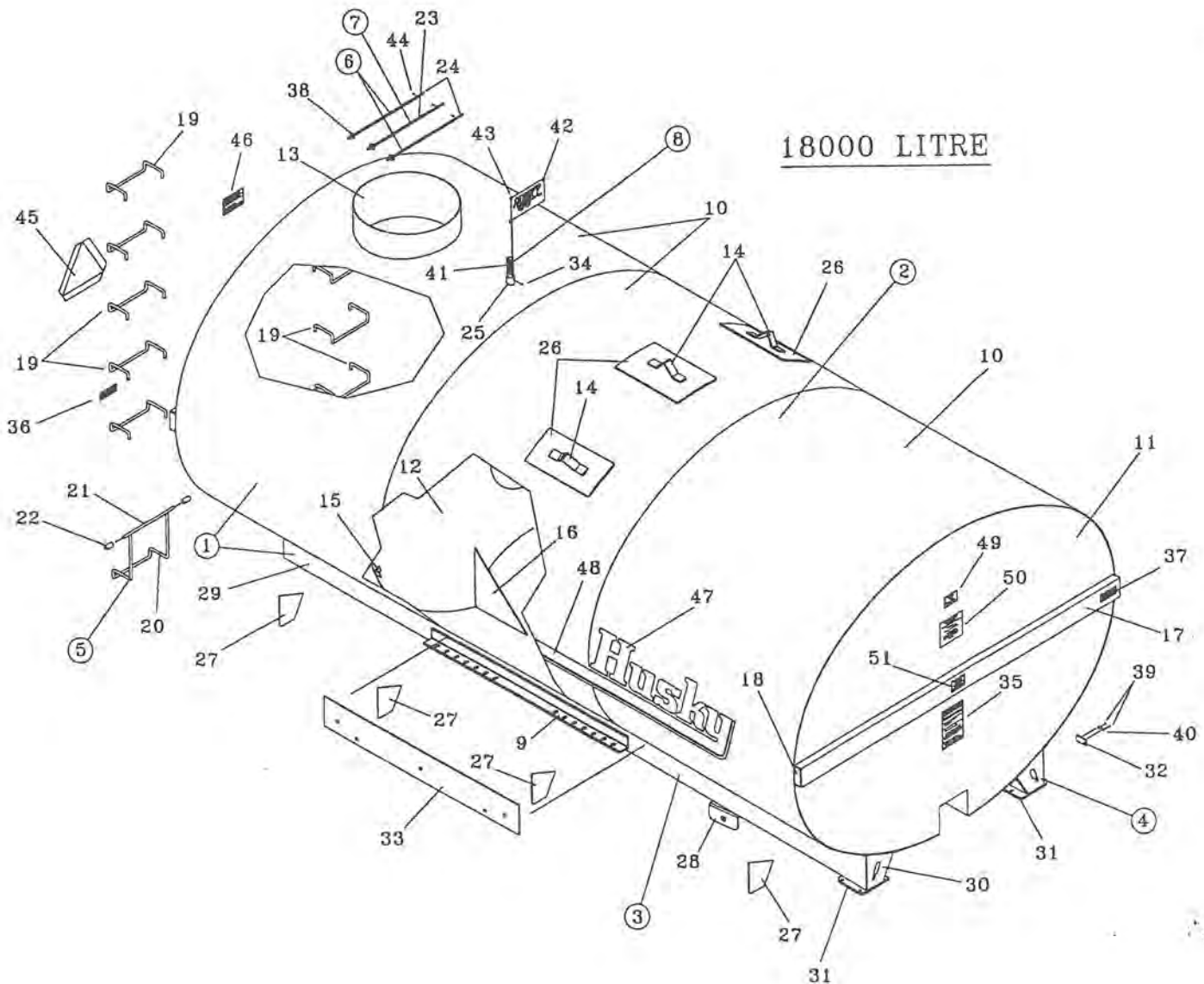
Wheel Bolt Size	Torque <u>Dry</u>	Ft./Lbs. <u>Oiled</u>	Torque <u>Dry</u>	Meter/Kg <u>Oiled</u>
9/16 - 18 NF	190	145	26.28	20.06
5/8 - 18 NF	270	205	37.34	28.35
3/4 - 16 NF	470	360	65.01	49.79

(Check Daily)

6. Never enter a tanker without special breathing equipment to supply oxygen. Manure gases can kill instantly. One breath of Hydrogen Sulphide can kill.
7. When looking up or repairing hydraulic hoses always wear safety glasses and relieve pressure to avoid getting oil in eyes.
8. Caution - disc brakes will not release unless valve lever is held momentarily in opposite position. This will relieve pressure in brake line. Do not put in float position, they will not release.

18000L TANK COMPLETE

<u>KEYS</u>	<u>PARTS NUMBER</u>	<u>DESCRIPTION</u>	<u>QTY</u>
1	358-31-00-000	18000L Tank & Sill Assy.	1
2	340-01-01-000	18000L Tank Assy	1
3	340-01-02-000	RH Sill Assy.	1
4	340-01-03-000	LH Sill Assy.	1
<hr/>			
5	364-02-19-000	Ladder Bottom Rung Assy.	1
6	364-47-00-000	Manhole Safety Bar Assy.	2
7	364-49-00-000	Long Manhole Safety Bar	1
8	340-62-00-000	Husky Flag Kit	1
<hr/>			
9	364-02-00-280	Axle Adjustment Angle	2
10	340-01-01-301	Tank Shell	3
11	340-01-01-300	Tank Ends	2
12	340-01-01-302	Baffle	2

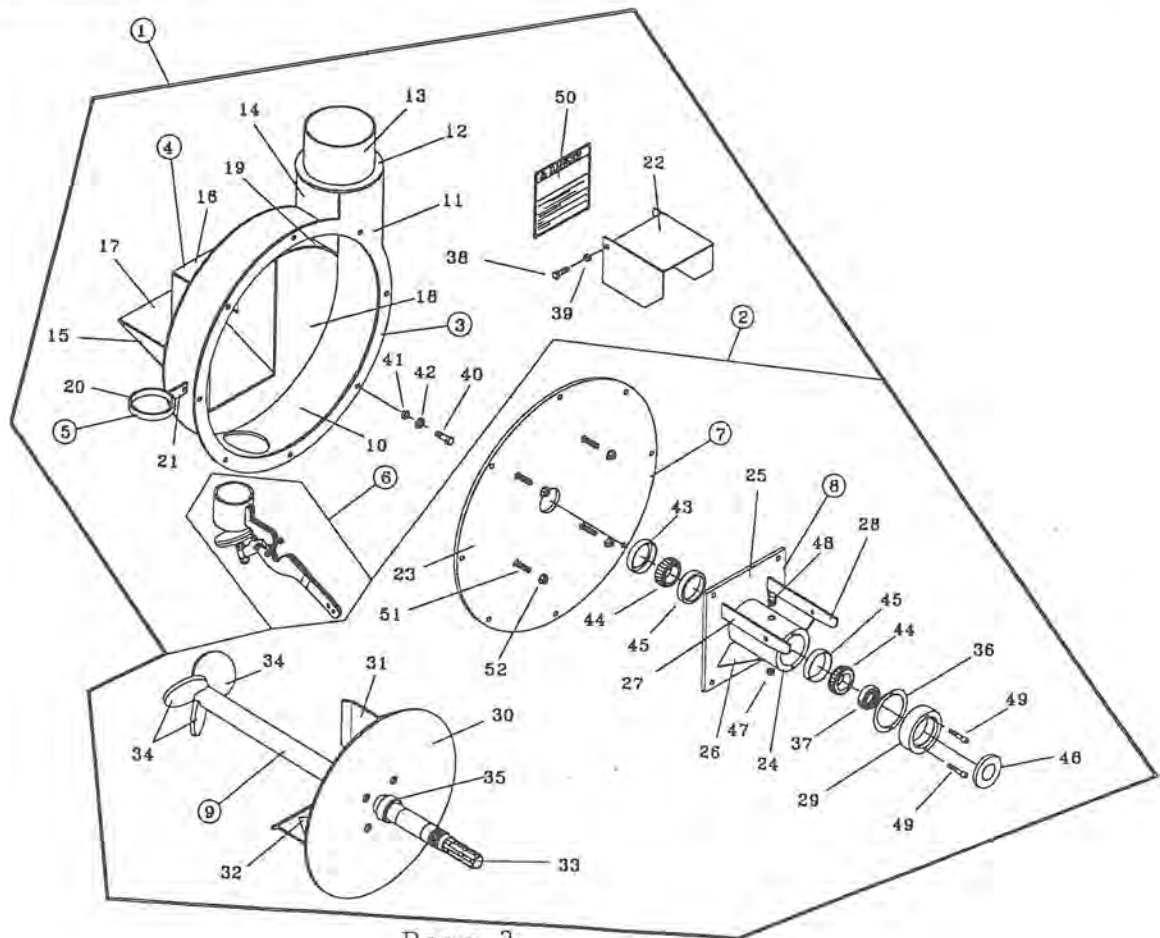


18000L TANK COMPLETE CONTINUED

<u>KEYS</u>	<u>PARTS NUMBER</u>	<u>DESCRIPTION</u>	<u>QTY</u>
13	364-02-00-006	Manhole	1
14	300-01-00-012	Lift Hook	3
15	300-01-00-016	Baffle Bracket	32
16	340-01-01-459	Baffle Gusset	8
17	340-01-06-312	Tank End Stiffener	2
18	340-01-06-464	Stiffener Cap	4
19	364-02-00-008	Ladder Rung	9
20	364-02-19-151	Ladder Bottom Rung	1
21	364-02-19-152	Ladder Top Piece	1
22	364-02-00-153	Ladder Bracket	2
23	364-49-00-164	Long Manhole Safety Bar	1
24	364-00-00-155	Manhole Safety Bars	2
25	340-00-00-536	Flag Spring Holder	1
26	340-01-00-546	Reinforcing Plate	3
27	340-01-02-305	End Sill Stiffeners	8
28	315-31-00-115	Tongue "U" Piece	2
29	340-01-02-303	Sill	2
30	340-01-06-311	Sill Cap	4
31	340-01-07-460	Tank Support Hold Down Bracket	2
32	340-01-00-498	Serial Number Plate	1
33	340-01-02-304	Sill Reinforcing	2
34	R07926	5/16-18 x 1/4 SS Set Screw	1
35	R09783	"Caution" Decal	1
36	R10096	Red Reflector	2
37	R10097	Amber Reflector	1
38	R07825	1/2" Flat Washer	3
39	R08152	#6 x 1/4 Pan Head Screw	2
40	R09071	Serial Number	1
41	R08037	Flag Spring	1
42	R09735	Husky Flag	1
43	R21371	Plastic Tip	1
44	R08207	3/32 x 1 1/2 SS. Cotter Pin	3
45	R09501	Slow Moving Vehicle Sign	1
46	R09784	"Danger - Toxic Gas..." Decal	1
47	R09510	"Husky" Decal	2
48	R09511	Accent Stripe	2
49	R09509	"Made In Canada" Decal	1
50	R09730	"Tire Pressure" Decal	1
51	R09512	Capacity Sticker	1

FAN & HOUSING KIT

KEYS	PARTS NUMBER	DESCRIPTION	QTY
1	364-23-00-000	Model E Fan & Housing Kit 540 RPM	1
	364-56-00-000	Model E Fan & Housing Kit 1000 RPM	*
2	364-65-00-000	540 Fan, Cover Plate, & Brg Kit	1
	364-66-00-000	1000 Fan, Cover Plate, & Brg Kit	*
3	364-01-03-000	Fan Housing Assembly	1
4	364-01-15-000	Housing Back Plate Assembly	1
5	364-41-00-000	PTO Holder Assembly	1
6	364-62-00-000	Drain Plug Kit	1
7	364-67-00-000	Cover Plate Assembly	1
8	364-61-00-000	Bearing Holder Assembly	1
9	364-72-00-000	Fan, Shaft & Agitator Assy - 540	1
	364-73-00-000	Fan, Shaft & Agitator Assy -1000	*
10	364-01-03-018	Housing Band	1
11	364-01-03-019	Housing Flange	1
12	364-01-03-062	Discharge Ring	1
13	364-01-03-063	Discharge Tube	1
14	364-01-03-081	Fan Housing Vertical Pc	1
15	364-01-03-103	Outlet Side Pc	2
16	364-01-03-104	Outlet Top Pc	1
17	364-01-03-105	Outlet Bottom Pc	1
18	364-01-03-106	Housing Back Plate	1
19	364-01-03-156	Housing Band Aid	1



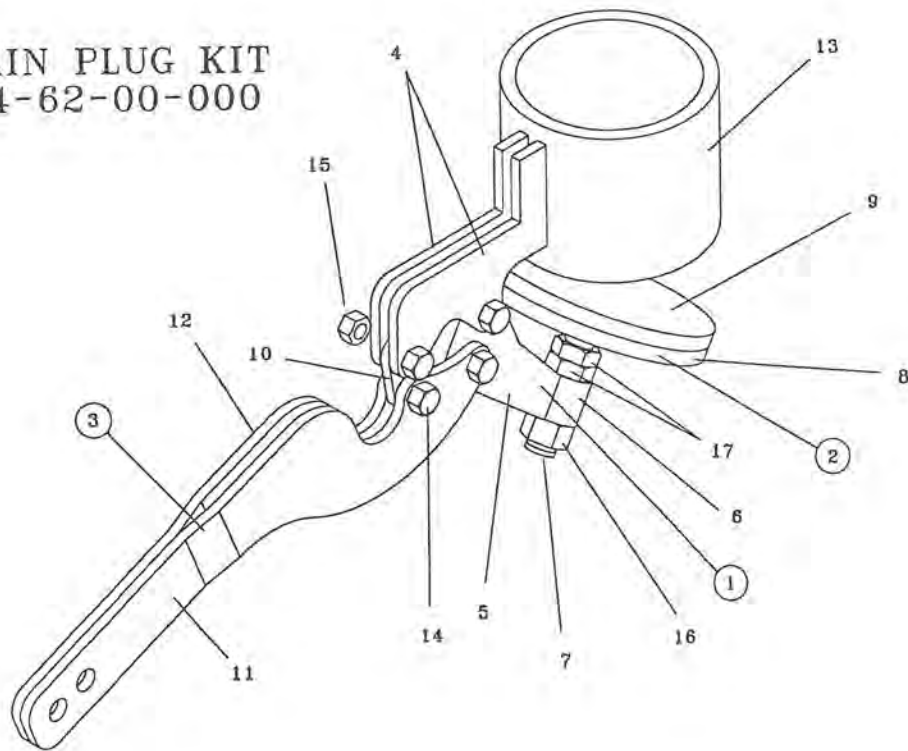
FAN & HOUSING KIT CONTINUED

<u>KEYS</u>	<u>PARTS NUMBER</u>	<u>DESCRIPTION</u>	<u>QTY</u>
20	364-41-00-132	Pto Holder	1
21	364-41-00-133	Pto Holder Brkt	1
22	364-00-00-029	Flip Guard	1
23	364-67-00-211	Cover Plate	1
24	364-61-00-191	Brg Tube	1
25	364-61-00-192	Seal Tube Back Plate	1
26	364-61-00-193	Seal Tube Gusset	2
27	364-61-00-197	RH Flip Guard Brkt	1
28	364-61-00-198	LH Flip Guard Brkt	1
29	364-00-00-196	Seal Tube Cap	1
30	364-63-00-209	Impeller Back Plate	1
31	364-63-00-208	540 RPM Fan Blade	4
	364-64-00-210	1000 RPM Fan Blade	*
32	364-03-00-024	Gusset	4
33	364-72-00-226	Fan Shaft	1
34	364-72-00-227	Agitator Blades	3
35	R20238	Hardened Sleeve	1
36	364-00-00-225	Cap Gasket	1
37	364-00-00-212	Stake Nut	1
38	R07619	3/8 x 1 Hex Bolt	2
39	R07886	3/8 Lock Nut	2
40	R07671	7/16 x 1 1/4 Hex Bolt	8
41	R07784	7/16 Hex Nut	8
42	R07804	7/16 Lock Washer	8
43	R21184	Seal	1
44	R20115	Cone	2
45	R20113	Cup	2
46	R21185	Seal	1
47	R02169	Pipe Plug	1
48	R20685	Vent Plug	1
49	R08175	5/16-18 UNC x 1 3/4 Cap Screw	2
50	R09785	"Danger" Decal	1
51	R07774	7/16 x 1 1/4 Carriage Bolt Gr. 5 Black	4
52	R07879	7/16 Flange Nut	4

DRAIN PLUG KIT

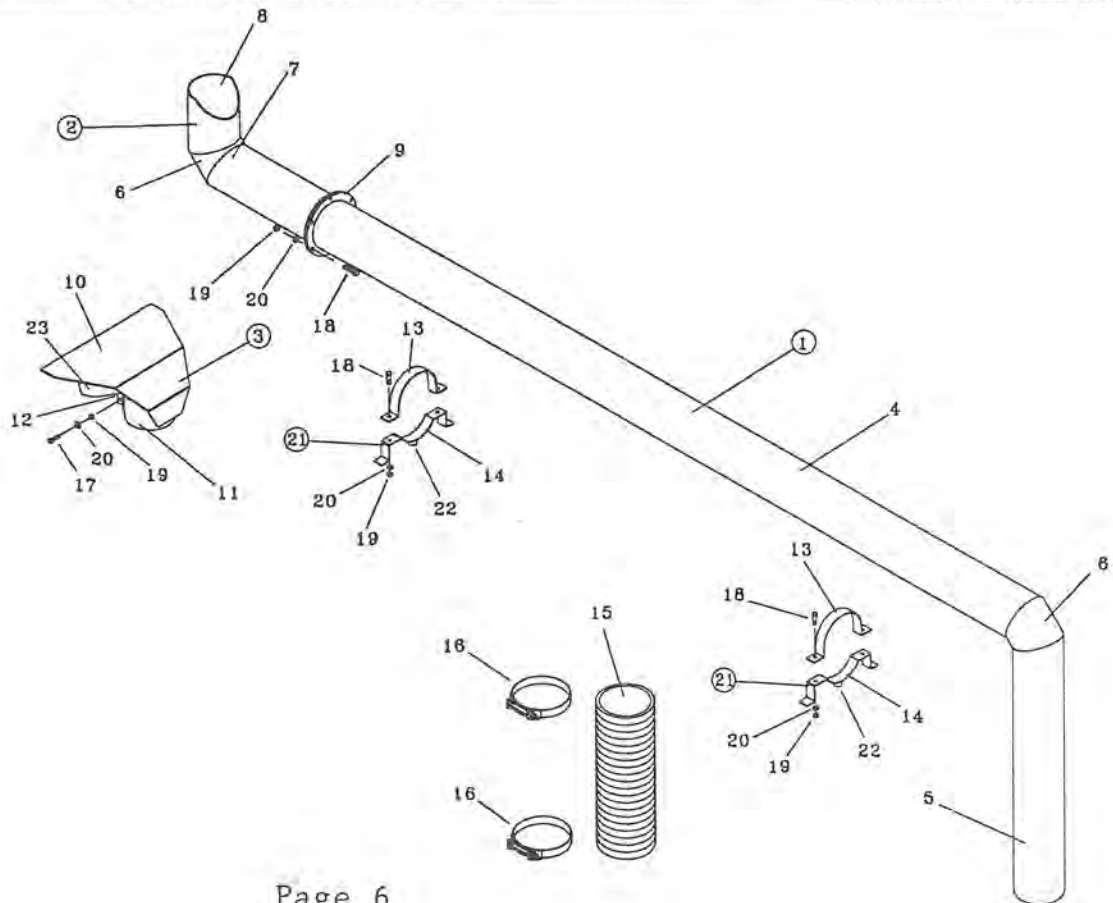
<u>KEYS</u>	<u>PARTS NUMBER</u>	<u>DESCRIPTION</u>	<u>QTY</u>
1	364-62-01-000	Drain Plug Sleeve Assy	1
2	364-62-02-000	Plug Assy	1
3	364-62-03-000	Handle Assy	1
4	364-62-00-199	Housing Brkt	2
<hr/>			
5	364-62-01-200	Sleeve Linkage	1
6	364-62-01-201	Sleeve	1
7	364-62-02-202	Adjustment Rod	1
8	364-62-02-203	Plug Plate	1
<hr/>			
9	364-62-02-204	Plug Rubber	1
10	364-62-00-205	Short Linkage	1
11	364-62-03-206	LH Handle	1
12	364-62-03-207	RH Handle	1
<hr/>			
13	364-01-03-110	Drain Pipe	1
14	R08176	1/4-20 UNC x 7/8 Short Thrd Bolt	4
15	R08048	1/4-20 Lock Nut	4
16	R07885	1/2-13 UNC Hex Nyloc Nut	1
<hr/>			
17	R08046	1/2-13 UNC Jam Nut	2

DRAIN PLUG KIT 364-62-00-000

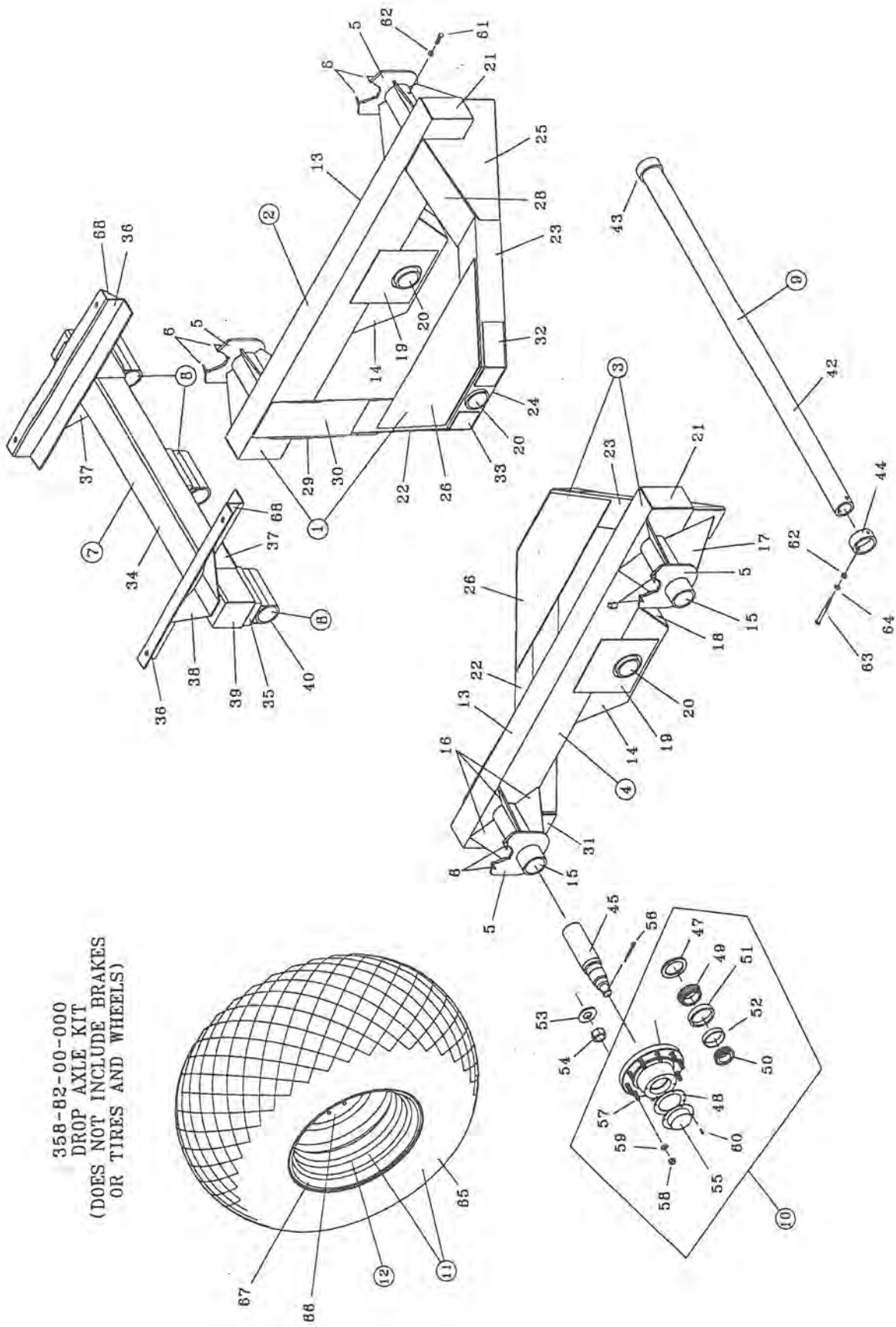


DISCHARGE PIPE ASSEMBLY

<u>KEYS</u>	<u>PARTS NUMBER</u>	<u>DESCRIPTION</u>	<u>QTY</u>
1	358-32-00-000	Discharge Pipe Assy - 18000L	1
2	364-25-00-000	Discharge Pipe End Section	1
3	364-21-00-000	Splash Plate Assy.	1
4	359-30-00-108	Horizontal Discharge Pipe	1
<hr/>			
5	358-32-00-109	Vertical Discharge Pipe	1
6	364-19-00-082	Discharge Pipe Corner Piece	2
7	364-25-00-088	Discharge Pipe Flange Piece	1
8	364-25-00-067	Discharge Pipe End Piece	1
<hr/>			
9	364-19-00-087	Discharge Pipe Flange	2
10	364-21-00-069	Splash Plate	1
11	364-21-00-070	Clamping Tube	1
12	364-21-00-071	Clamping Tube Bracket	2
<hr/>			
13	364-00-00-083	Discharge Clamp Upper Piece	2
14	364-50-00-084	Discharge Clamp Base Piece	2
15	364-00-00-066	Flex Hose	1
16	R02482	6" Clamp	2
<hr/>			
17	R07622	3/8 x 2 1/2 Hex Bolt	2
18	R07675	3/8 x 1 1/4 Hex Bolt	10
19	R07783	3/8 Hex Nut	12
20	R07803	3/8 Lock Washer	12
<hr/>			
21	364-50-00-000	Discharge Clamp Base Assy.	2
22	364-50-00-165	Discharge Clamp Spacer	2
23	364-21-00-224	Splash Plate Wing	2



358-82-00-000
 DROP AXLE KIT
 (DOES NOT INCLUDE BRAKES
 OR TIRES AND WHEELS)



358-82-00-000 DROP AXLE KIT

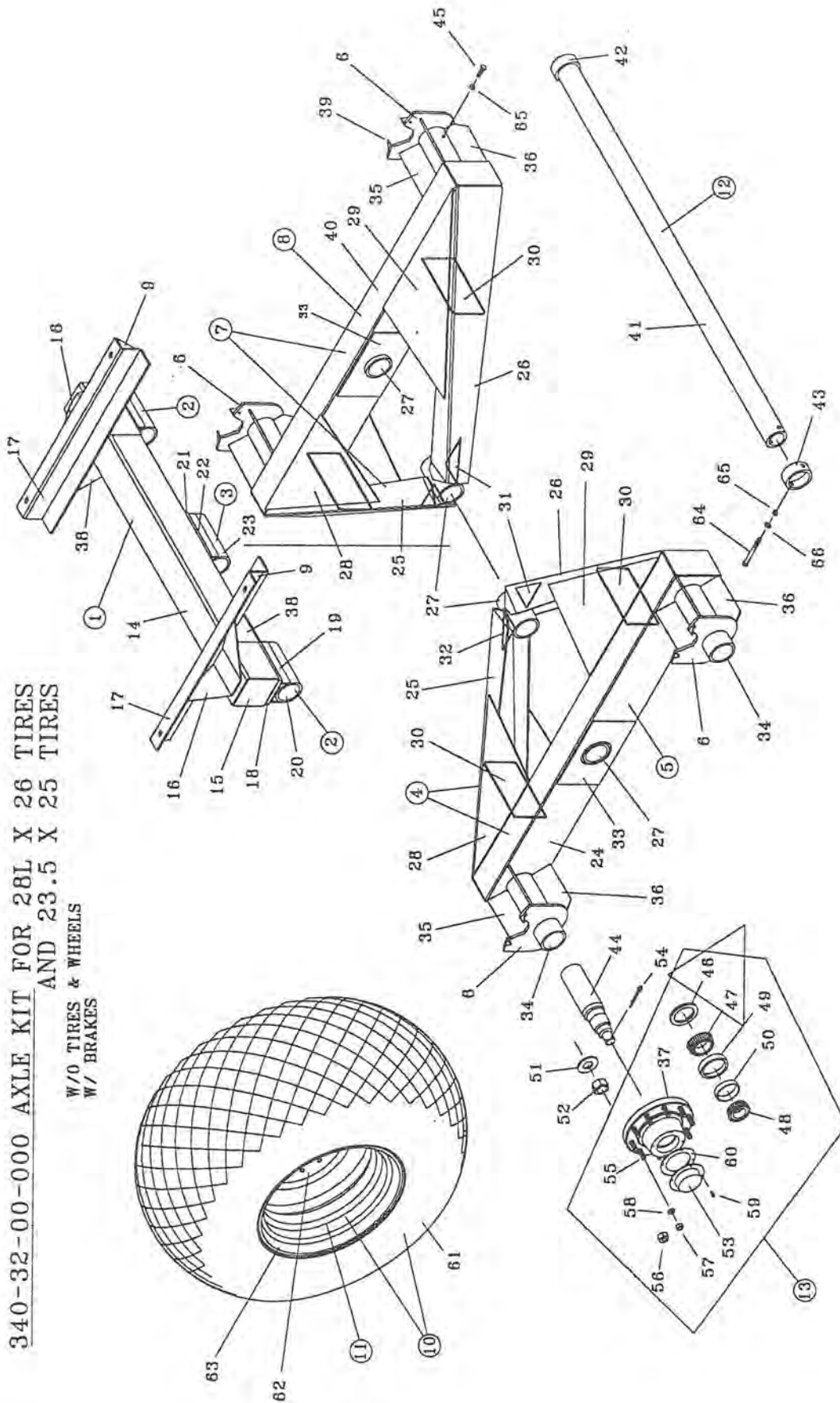
<u>KEYS</u>	<u>PARTS NUMBER</u>	<u>DESCRIPTION</u>	<u>QTY</u>
1	358-83-00-000	R.H. Tandem Side Assy	1
2	358-83-01-000	R.H. Walker Assy	1
3	358-84-00-000	L.H. Tandem Side Assy	1
4	358-84-01-000	L.H. Walker Assy.	1
5	340-08-10-332	Caliper Mounting Plate	4
6	340-08-10-334	Caliper Support Plate	8
7	358-85-00-000	Base Frame Assy.	1
8	340-07-08-000	Stationary Sleeve Assy.	3
9	358-06-00-000	Main Axle Tube Assy.	1
10	340-43-00-000	16000 LB - 10 Bolt Hub Kit	4
11	330-04-00-000	28L x 26 Tire & Wheel Assy	4
	340-18-00-000	23.5L x 25 Tire, Tube & Wheel Assy.	*
12	330-04-43-000	Wheel Assy For 28L Tire	4
	340-18-24-000	Wheel Assy For 23.5L Tire	*
13	358-83-01-228	Walking Beam	1
14	358-83-01-229	Drop Tube	2
15	358-83-01-230	Spindle Sleeve	4
16	358-83-01-231	Small Spindle Sleeve Gusset	12
17	358-83-00-232	Large Spindle Sleeve Gusset	4
18	358-83-01-233	Drop Tube End Cap	4
19	358-83-01-234	Drop Tube Reinforcing Plate	4
20	358-83-01-235	Walker Sleeve	4
21	358-83-01-236	Walking Beam End Cap	4
22	358-83-00-237	Front Tandem Arm	2
23	358-83-00-238	Rear Tandem Arm	2
24	358-83-00-239	Middle Connector Tube	2
25	358-83-00-240	Rear Gusset	4
26	358-83-00-241	Middle Reinforcing Plate	4
27	358-83-00-242	Rear Tandem Arm End Cap	2
28	358-83-00-243	Rear Gusset Cap	2
29	358-83-00-244	Front Gusset	4
30	358-83-00-246	Front Gusset Cap	2
31	358-83-00-247	Front Tandem Arm End Cap	2
32	358-83-00-248	Rear Tie Plate	2
33	358-83-00-249	Front Tie Plate	2
34	358-85-00-250	Cross Axle Support	1
35	358-85-00-251	Spacer Bar	3
36	358-85-00-253	Sill "Z" Plate	2
37	340-07-00-330	Double Gusset	4
38	340-11-00-354	Reinforcing Plate	2
39	340-07-00-329	Cover Plate	2
40	340-07-08-322	Stationary Sleeve	3
41	340-07-08-323	Sleeve Channel	3
42	358-86-00-252	Main Axle Tube	1

358-82-00-000 DROP AXLE KIT COUNTINUED

<u>KEYS</u>	<u>PARTS NUMBER</u>	<u>DESCRIPTION</u>	<u>QTY</u>
43	340-63-00-538	Stop Ring	1
44	340-00-00-346	Retaining Ring	1
45	340-00-00-347	Spindle	4
46	340-43-00-451	16000 LB - 10 Bolt Hub w/ Cups	4
47	R20083	Seal CR-38730	4
48	R20084	Dust Cap Gasket	4
49	R20086	Inner Cone - 476871	4
50	R20087	Outer Cone - 39585	4
51	R20088	Inner Cup - 47620	4
52	R20089	Outer cup - 39520	4
53	R20091	Spindle Washer	4
54	R20092	Spindle Nut 1 3/4 - 12 UNF	4
55	R20093	Dust Cap	4
56	R20095	Cotter Pin	4
57	R20096	Wheel Bolts 3/4 - 16 UNF	40
58	R07820	3/4"-16 UNF Fedalloy Hex Nut	40
59	R20152	3/4" Spherical Washer	40
60	R07690	Dust Cap Bolt 5/16 x 5/8	16
61	R07927	5/8 x 1 1/2 Sq Hd Set Screw	8
62	R07786	5/8 Hex Nut	8
63	R07653	5/8 x 6 Hex Bolt	1
64	R07806	5/8 Lock Washer	1
65	R20015	28L x 26 Tire	4
	R20012	23.5L x 25 Tire	*
66	R20052	Centre Disc For 28L x 26 Wheel	4
	R20055	Centre Disc For 23.5L x 25 Wheel	*
67	R20053	Rim For 28L x 26 Tire	4
	R20060	Rim For 23.5L x 25 Tire	*
68	330-69-00-550	Gusset	4

340-32-00-000 AXLE KIT FOR 28L X 26 TIRES
AND 23.5 X 25 TIRES

W/O TIRES & WHEELS
W/ BRAKES



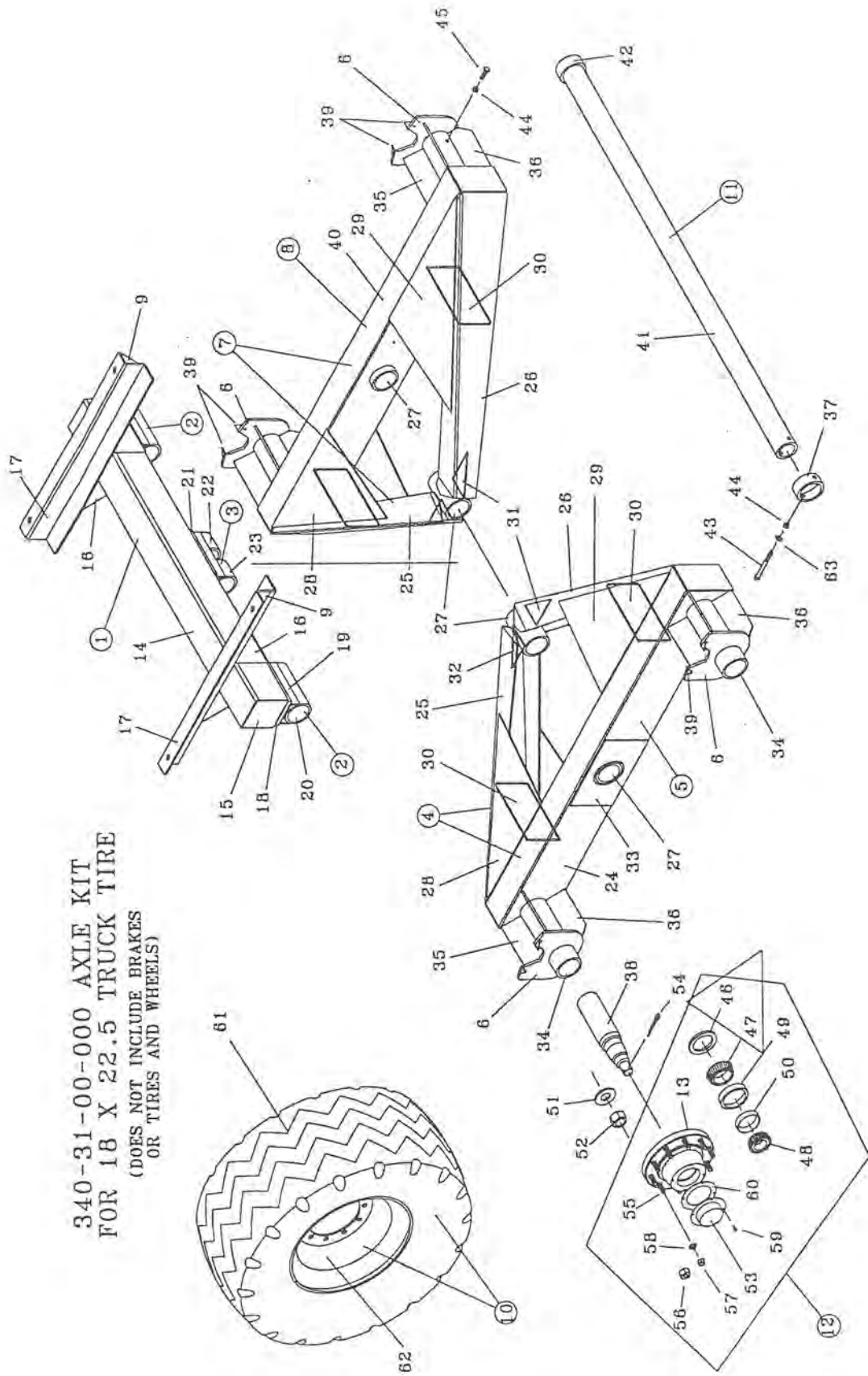
340-32-00-000 STRAIGHT AXLE KIT

<u>KEYS</u>	<u>PARTS NUMBER</u>	<u>DESCRIPTION</u>	<u>QTY</u>
1	340-11-00-000	Base Frame Assembly	1
2	340-07-08-000	Stationary Sleeve Assembly	2
3	340-11-28-000	Centre Sleeve Assembly	1
4	340-12-00-000	R.H. Tandem Side Assembly	1
5	340-12-20-000	R.H. Walking Beam Assembly	1
6	340-08-10-332	Caliper Mounting Plate	4
7	340-13-00-000	L.H. Tandem Side Arm Assembly	1
8	340-13-31-000	L.H. Walking Beam Assembly	2
9	330-69-00-550	Gusset	4
10	330-04-00-000	28L x 26 Tire, Tube & Wheel Assembly	4
	340-18-00-000	23.5L x 25 Tire, Tube & Wheel Assembly	*
11	330-04-43-000	Wheel Assembly For 28L Tire	4
	340-18-24-000	Wheel Assembly For 23.5L Tire	*
12	340-63-00-000	Axle Tube Assembly	1
13	340-43-00-000	10 Bolt Hub Complete Assembly	4
14	340-11-00-353	Cross Axle Support	1
15	340-07-00-329	Cover Plate	2
16	340-11-00-354	Reinforcing Plate	2
17	358-85-00-253	Sill "Z" Plate	2
18	340-07-00-324	Spacer	2
19	340-07-08-323	Side Sleeve Channel	2
20	340-07-08-322	Stationery Sleeve	2
21	340-11-00-519	Spacer	1
22	340-11-28-517	Centre Sleeve Channel	1
23	340-11-28-518	Centre Sleeve	1
24	340-12-00-355	R.H. Walking Beam	1
25	340-12-00-358	Tandem Side Arm - Short	2
26	340-12-00-359	Tandem Side Arm - Long	2
27	340-08-00-341	Rocker Sleeve	4
28	340-12-00-529	Walking Beam Gusset - Rear	4
29	340-12-00-530	Walking Beam Gusset - Front	4
30	340-12-00-360	Vertical Brace	4
31	340-12-00-362	Tandem Gusset - Front	2
32	340-12-00-361	Tandem Gusset - Rear	2
33	340-12-00-533	Rocker Sleeve Reinforcing Plate	4
34	340-12-00-357	Spindle Sleeve	4
35	340-12-30-531	Spindle Sleeve Gusset - Upper	8
36	340-12-30-532	Spindle Sleeve Gusset - Lower	8
37	340-43-00-451	10 Bolt Hub w/ Cups 16000 Lbs.	4
38	340-07-00-330	Double Gusset	4
39	340-08-10-334	Caliper Plate Support	8
40	340-13-00-356	LH Walking Beam	1
41	340-63-00-537	Main Axle Tube	1
42	340-63-00-538	Stop Ring	1

340-32-00-000 STRAIGHT AXLE KIT CONTINUED

<u>KEYS</u>	<u>PARTS NUMBER</u>	<u>DESCRIPTION</u>	<u>QTY</u>
43	340-00-00-346	Retaining Ring	1
44	340-00-00-347	Spindle	4
45	R07927	5/8 x 1 1/2 Sq. Head Set Screw	8
46	R20083	Seal	4
47	R20086	Inner Cone	4
48	R20087	Outer Cone	4
49	R20088	Inner Cup	4
50	R20089	Outer Cup	4
51	R20091	Spindle Washer 1 11/16	4
52	R20092	Spindle Nut 1 3/4-12 UNF	4
53	R20093	Dust Cap	4
54	R20095	Cotter Pin 5/16 x 4	4
55	R20096	Wheel Bolts	40
56	R20097	3/4" SPH-RAD Wheel Nut	40
57	R07820	3/4-16 UNF Fedalloy Hex Nut	*
58	R07834	3/4 Fedalloy Flat Washer	*
59	R07690	Dust Cap Bolt 5/16 x 5/8	16
60	R20084	Dust Cap Gasket	4
61	R20015	28L x 26 Tire & Tube	4
	R20012	23.5L x 25 Tire	*
62	R20052	Centre Disc For 28L x 26 Wheel	4
	R20055	Centre Disc For 23.5L x 25 tire	*
63	R20053	Rim For 28L x 26 Tire	4
	R20060	Rim For 23.5L x 25 Tire	*
64	R07653	5/8 x 6 Hex Bolt	1
65	R07786	5/8 Hex Nut	9
66	R07806	5/8 Lock Washer	1

340-31-00-000 AXLE KIT
 FOR 18 X 22.5 TRUCK TIRE
 (DOES NOT INCLUDE BRAKES
 OR TIRES AND WHEELS)



AXLE KIT FOR 18 X 22.5 TRUCK TIRE

<u>KEYS</u>	<u>PARTS NUMBER</u>	<u>DESCRIPTION</u>	<u>QTY</u>
1	340-07-00-000	Base Frame Assy.	1
2	340-07-08-000	Stationary Sleeve Assy.	2
3	340-07-09-000	Centre Sleeve Assy.	1
4	340-08-00-000	R.H. Tandem Side Assy.	1
5	340-08-32-000	R.H. Walking Beam Assy.	1
6	340-08-10-332	Caliper Mounting Plate	4
7	340-09-00-000	L.H. Tandem Side Assy.	1
8	340-09-33-000	L.H. Walking Beam Assy.	1
9	330-69-00-550	Gusset	4
10	340-19-00-000	Tire & Wheel Assy. 18 x 22.5	4
11	340-64-00-000	Main Axle Tube Assy.	1
12	340-43-00-000	10 Bolt Hub Complete	4
13	340-43-00-451	10 Bolt Hub w/Cups - 16000 Lb	4
14	340-07-00-328	Cross Axle Support	1
15	340-07-00-329	Cover Plate	2
16	340-07-00-330	Double Gusset	4
17	358-85-00-253	Sill "Z" Plate	2
18	340-07-00-324	Spacer	2
19	340-07-08-323	Side Sleeve Channel	2
20	340-07-08-322	Stationary Sleeve	2
21	340-07-00-327	Centre Sleeve Spacer	1
22	340-07-09-326	Centre Sleeve Channel	1
23	340-07-09-325	Centre Sleeve	2
24	340-08-00-335	R.H. Walking Beam	1
25	340-08-00-338	Tandem Side Arm - Rear	2
26	340-08-00-337	Tandem Side Arm - Front	2
27	340-08-00-341	Rocker Sleeve	4
28	340-08-00-527	Walking Beam Gusset - Rear	4
29	340-08-00-528	Walking Beam Gusset - Front	4
30	340-08-00-344	Vertical Brace	4
31	340-08-00-339	L.H. Tandem Gusset	2
32	340-08-00-340	R.H. Tandem Gusset	2
33	340-12-03-533	Rocker Sleeve Reinforcing Plate	2
34	340-08-00-342	Spindle Sleeve	4
35	340-08-32-534	Spindle Sleeve Gusset - Upper	8
36	340-08-32-535	Spindle Sleeve Gusset - Lower	8
37	340-00-00-346	Retaining Ring	1
38	340-00-00-347	Tandem Spindle	4
39	340-08-10-334	Caliper Plate Support	8
40	340-09-00-336	L.H. Walking Beam	1

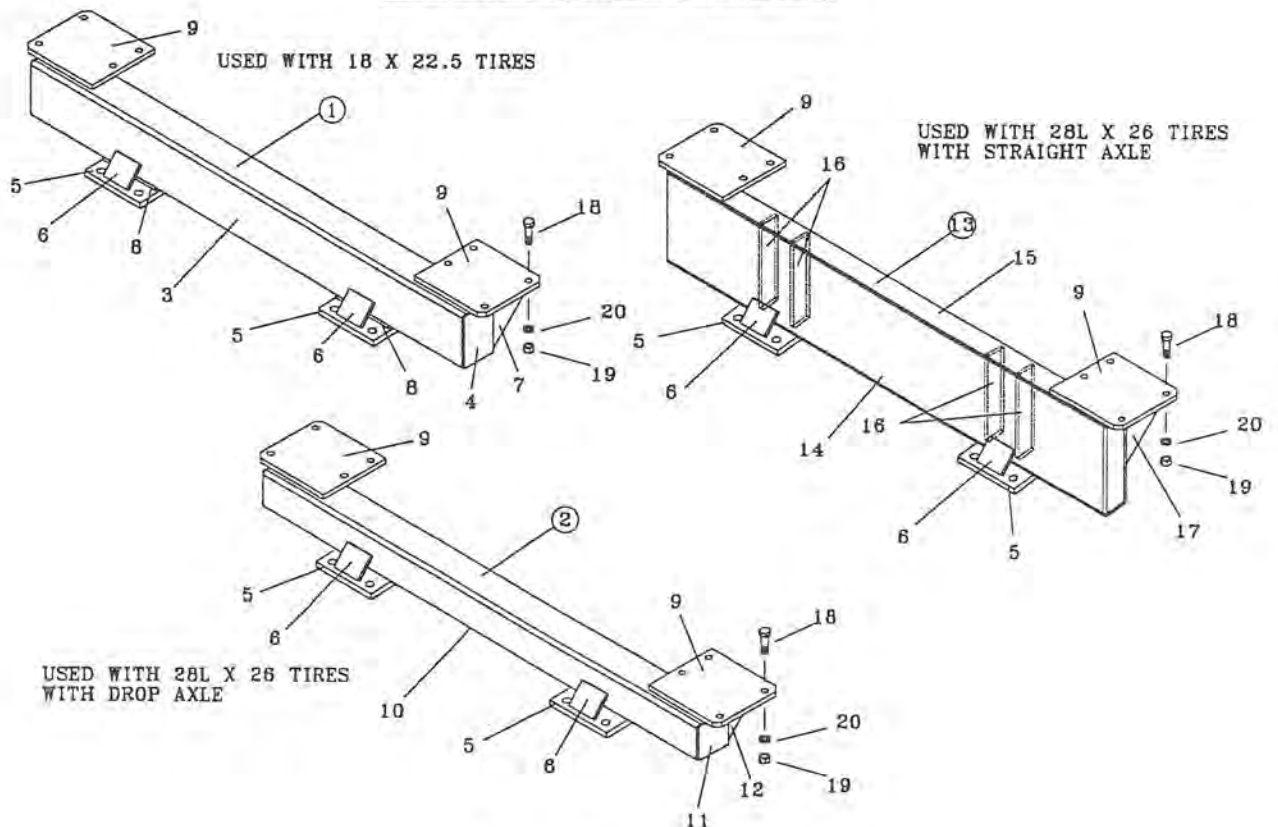
AXLE KIT FOR 18 X 22.5 TRUCK TIRE CONTINUED

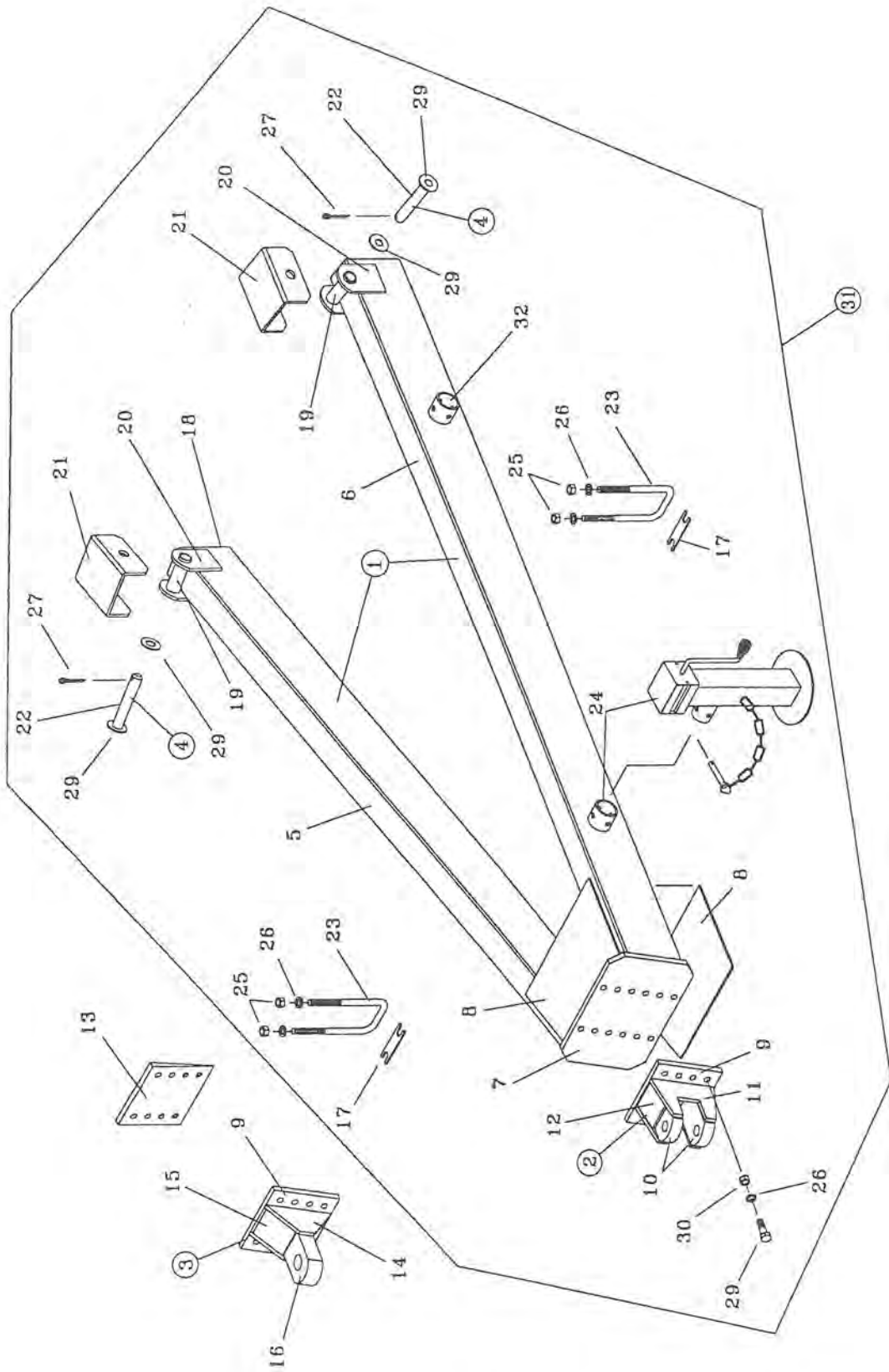
<u>KEYS</u>	<u>PARTS NUMBER</u>	<u>DESCRIPTION</u>	<u>QTY</u>
41	340-64-00-539	Main Axle Tube	1
42	340-63-00-538	Stop Ring	1
43	R07653	5/8 x 6 Hex Bolt	1
44	R07786	5/8 Hex Nut	9
45	R07927	5/8 x 1 1/2 Sq. Hd. Set Screw	8
46	R20083	Seal	4
47	R20086	Inner Cone	4
48	R20087	Outer Cone	4
49	R20088	Inner Cup	4
50	R20089	Outer Cup	4
51	R20091	Spindle Washer 1 13/16	4
52	R20092	Spindle Nut 1 3/4-12 UNF	4
53	R20093	Dust Cap	4
54	R20095	Cotter Pin 5/16 x 4	4
55	R20096	Wheel Bolts	40
56	R20097	Wheel Nuts 3/4" SPA-RAD	40
57	R07820	3/4-16 UNF Fedalloy Hex Nut	*
58	R07834	3/4 Fedalloy Flat Washer	*
59	R07690	Dust Cap Bolt 5/16 x 5/8	16
60	R20084	Dust Cap Gasket	4
61	R20011	Used 18 x 22.5 Truck Tire	4
62	R20059	13.5 x 22.5 Rim - 10 Bolt	4
63	R07806	5/8 Lock Washer	1

TONGUE CROSS SUPPORT

<u>KEYS</u>	<u>PARTS NUMBER</u>	<u>DESCRIPTION</u>	<u>QTY</u>
1	358-45-00-000	Cross Member Assy - 18 x 22.5 Tires	1
2	358-81-00-000	Cross Member Assy - 28L x 26 Tires - Drop Axle	*
3	358-45-00-146	Cross Member - 18 x 22.5 Tires	1
4	358-45-00-147	End Cap	2
<hr/>			
5	358-45-00-148	Tongue Strap	2
6	364-02-17-123	Tongue Strap Gusset	2
7	358-45-00-149	Gusset	2
8	358-45-00-150	Filler Rod	2
<hr/>			
9	340-01-07-460	Tank Support Hold Down Bracket	2
10	358-81-00-277	Cross Member - 28L x 26	1
11	358-81-00-278	End Cap	2
12	358-81-00-279	Gusset	2
<hr/>			
13	358-46-00-000	Cross Member Assy. 28L - Straight Axle	*
14	364-27-00-094	Support Cover	1
15	364-27-00-095	Support	1
16	364-27-00-096	Inside Brace	4
<hr/>			
17	358-46-00-221	Gusset	2
18	R07647	5/8 x 2 Hex Bolt	8
19	R07786	5/8 Hex Nut	8
20	R07806	5/8 Lock Washer	8

TONGUE CROSS SUPPORTS



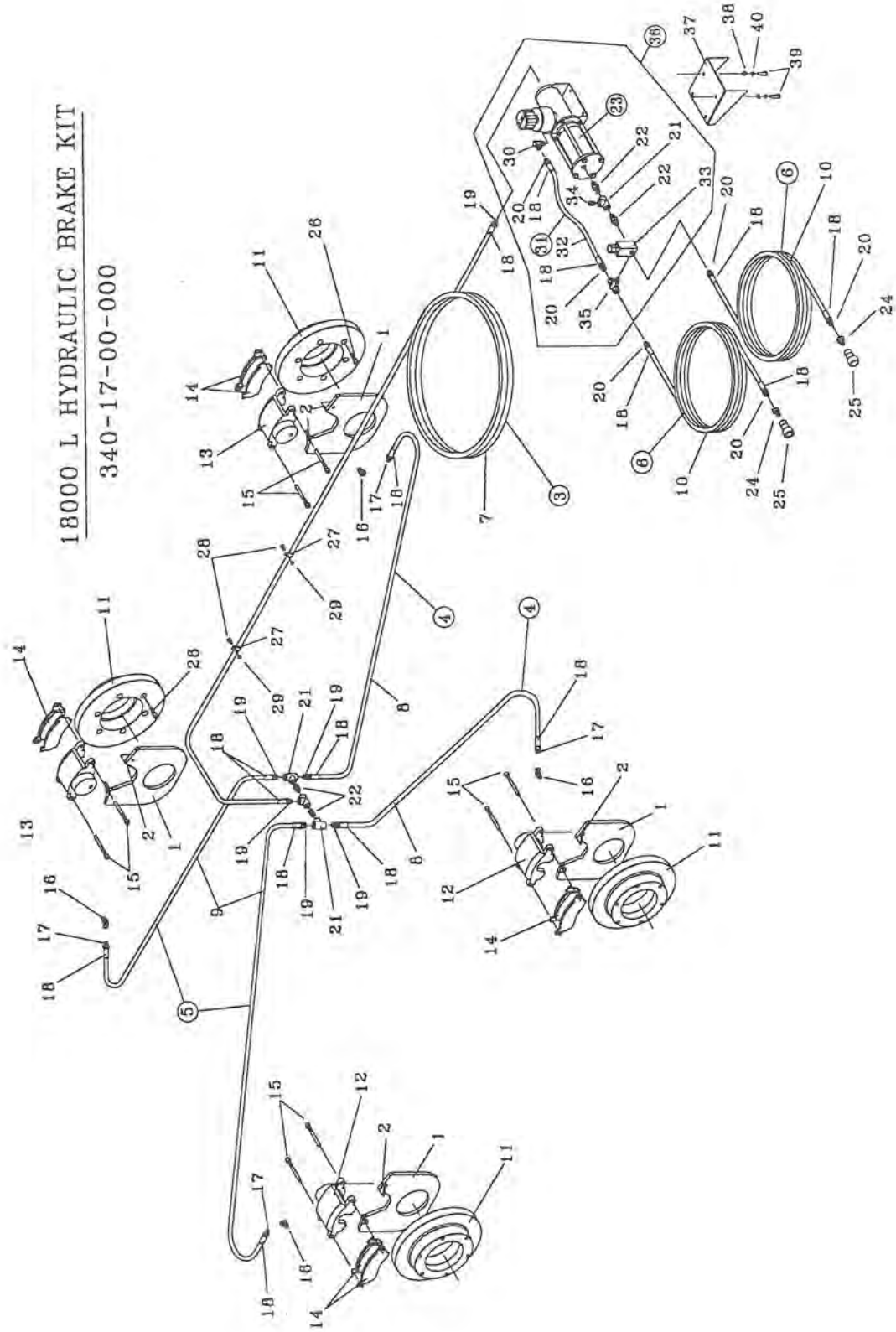


TONGUE AND HITCH

<u>KEYS</u>	<u>PARTS NUMBER</u>	<u>DESCRIPTION</u>	<u>QTY</u>
1	358-42-00-000	Tongue Assy. - 18000L	1
2	358-43-00-000	Standard Hitch Assy.	1
3	358-44-00-000	Single Point Hitch Assy	*
4	315-39-00-000	Lock Pin Assy.	2
5	358-42-00-135	R.H. Tongue Tube	1
6	358-42-00-136	L.H. Tongue Tube	1
7	358-42-00-137	Hitch Bolt Plate	1
8	358-42-00-138	Tongue Tube Gusset	2
9	358-43-00-139	Hitch Back Plate	1
10	358-43-00-140	Hitch Plate	2
11	358-43-00-141	Hitch Side Gusset	2
12	358-43-00-142	Hitch Upper Gusset	2
13	358-00-00-143	Wedge Plate	*
14	358-44-00-144	Side Gusset	2
15	358-44-00-145	Top Gusset	2
16	364-26-00-091	Single Point Hitch	1
17	364-00-00-131	"U" Bolt Spacer	2
18	315-36-00-147	Tongue Tube End Cap	2
19	315-36-00-145	Bushing	2
20	315-36-00-146	Side Piece	4
21	315-31-00-115	Tongue "U" Piece	2
22	315-39-00-155	Lock Pin	2
23	R08172	3/4 NF x 10" "U" Bolt	2
24	R10215	8000Lb Side Wind Jack	1
25	R07820	3/4" NF Hex Nut	4
26	R07807	3/4" Lock Washer	12
27	R08016	1/4 x 2 Cotter Pin	2
28	R07830	1 1/4" Flat Washer	4
29	R07655	3/4 x 2 1/2 Hex Bolt	8
30	R07787	3/4" UNC Hex Nut	8
31	358-57-00-000	Tongue & Hitch Kit	1
32	358-42-00-260	Tongue Jack Storage Bracket	1

18000 L HYDRAULIC BRAKE KIT

340-17-00-000



HYDRAULIC BRAKE KIT

<u>KEYS</u>	<u>PARTS NUMBER</u>	<u>DESCRIPTION</u>	<u>QTY</u>
1	340-08-10-332	Caliper Mounting Plate	4
2	340-08-10-334	Caliper Mounting Support	8
3	340-17-38-000	Hyd. Brake Hose Assy. - Main Line	1
4	340-17-13-000	Hyd. Brake Hose Assy. - Front 18 x 22.5	2
	340-17-15-000	Hyd. Brake Hose Assy. - Front 28L x 26	*
5	340-17-14-000	Hyd. Brake Hose Assy. - Rear 18 x 22.5	2
	340-17-16-000	Hyd. Brake Hose Assy. - Rear 28L x 26	*
6	340-17-39-000	Hyd. Hose Assy.	2
7	340-17-38-544	Hyd. Hose - Main Line	1
8	340-17-13-368	Hyd. Hose - Front 18 x 22.5	2
	340-17-15-390	Hyd. Hose - Front 28L x 26	*
9	340-17-14-369	Hyd. Hose - Rear 18 x 22.5	2
	340-17-16-391	Hyd. Hose - Rear 28L x 26	*
10	340-17-39-545	Hyd. Hose	2
11	R20098	Cast Disc Brakes	4
12	R21065	R.H. Brake Caliper TC500	2
13	R21066	L.H. Brake Caliper TC501	2
14	R21067	Brake Pads (Pair)	4
15	R21070	Guide Pins	8
16	R21308	45 Deg. 7/16 SAE x 1/4 NPT Adaptor	4
17	R20807	1/4-18 NPT Solid Male Stem	4
18	R21231	Steel Ferrule (1/4" Hose)	16
19	R20806	3/8-18 NPT Swivel Male Stem	6
20	R20803	3/8-18 NPT Solid Male Stem	6
21	R21400	3/8 Pipe Tee	4
22	R21399	3/8 Hyd Nipple	4
23	312-06-00-000	Master Cylinder Kit	1
24	R02043	1/2 x 3/8 Bushing	2
25	R21342	Pioneer Coupler	2
26	R07871	1/2-20 x 3 Socket Hd. Cap Screw	24
27	R21104	Hyd. Hose Clips	12
28	R07698	1/4 x 1/2 hex Bolt	12
29	R07781	1/4 hex Nut	12
30	R21334	1/4M x 3/8 F x 90 Deg. Swivel Adaptor	1
31	312-06-05-000	Hydraulic Hose Assy.	1
32	312-06-05-048	Hydraulic Hose	1
33	R21201	Relief Valve	1
34	R02151	3/8 Pipe Plug	1
35	R21391	3/8 NPT Swivel Tee Adaptor	1
36	312-09-00-000	Master Cylinder Less Relief & Hoses	1
37	312-06-00-047	Tongue Brkt	1
38	R07788	3/8-16 UNC Hex Nut	4
39	R07620	3/8-16 UNC x 1 1/2 Hex Bolt	4
40	R07803	3/8 Lock Washer	4

MASTER CYLINDER KIT
312-06-00-000

