

Office Copy

NOV 25. 1996 - 20 max

Date Purchased _____ Machine Serial No. _____

Size of Spreader _____ Options _____

PLEASE NOTE:

The key number system in this parts book is arranged as follows:

- 0 -- Key number with one circle denotes main assemblies
- Key Numbers not circled are individual parts.

Please order parts by number

18000L MODEL "E"

HUSKY LIQUID MANURE SPREADER

OPERATING INSTRUCTIONS:

1. Heed all warnings.
2. Minimum HP requirements to safely operate on level terrain, on hilly terrain HP should be increased.

4500L	70 HP
7000L	85 HP
9000L	95 HP
12000L	110 HP
14000L	130 HP
15000L	140 HP
18000L	160 HP
23000L	200 HP
3. If machine is equipped with hydraulic brakes that are operated from the tractor hydraulics, they will not work should the tractor motor stop.

Inspect brakes before each use. Brakes must be bled before initial use unless installed at factory.

When releasing brakes the tractor hydraulic lever must be put in the opposing position to release pressure. Do not put in float position they will not release.
4. Tractor PTO spline must be approximately 14" (355 mm) from end of compressed PTO for proper adjustment.
5. Hitch tanker to tractor with minimum of 1" (25mm) hardened hitch pin with a safety lock. Use 10,000 lbs safety chain from spreader to tractor.
6. Do not use tongue jack stand to support loaded spreader. Put jack in storage position before using.
7. When hooking PTO to tractor make sure motor is stopped. Make sure QD (Quick Disconnect) safety locking pin is in locked position before using.
8. Clean off hose ends before plugging into tractor hydraulics. If spreader is equipped with hydraulic drive on spreading attachment, make sure tractor has sufficient oil flow and pressure to maintain satisfactory spread pattern, if not use another tractor.

OPERATING INSTRUCTIONS continued:

9. After using spreader in freezing conditions make sure impeller housing is drained.
10. Wash tank inside and out each time work is finished. This will increase life of tank by many years. See item 6 of Safety instructions.
11. Do not drive on public roads after dusk unless equipped with lights required by Department of Transportation in your area.
12. Remove wheels annually and grease wheel bearings.
13. Because manure smells, many farmers have made unfriendly neighbours. If in a residential area a manure injector is a recommended option to bury the smell.
14. Much of the fertilizer value of manure is lost when exposed to air. Getting the manure covered quickly is a very important part of spreading manure.
15. If rustproof coating on interior shows signs of deterioration, have interior repainted. This can be done with a roller or brush. This helps to increase the life of your spreader. It is a valuable maintenance procedure.

SAFETY INSTRUCTIONS:

Do not operate this machine until you fully understand the safe operating practices.

1. Make sure all moving parts are shielded to prevent coming in contact with loose clothing.
2. Keep children clear, do not let children or anyone ride on the spreader at anytime.
3. Do not support loaded spreader on tongue jack.
4. Keep tire pressure to recommended pressure at all times. Recommended tire pressure being:

		Lbs	KPA
40 x 14	Airplane Tires	55	379
44 x 16	Airplane Tires	55	379
47 x 18 x 18	Airplane Tires	55	379
50 x 20 x 20	Airplane Tires	55	379
16.5L x 16.1	Implement Tires	35	241
21.5L x 16.1	Implement Tires	35	241
18.4L x 26	Turf Tires	26	180
28L x 26	Turf Tires	24	166
23.5L x 25	Loader Dozer Tires	55	379
18L x 22.5	Truck Tires	65	448

1 Lb = 6.8947 KPA

5. Keep wheel bolts torqued to recommended torque at all times.

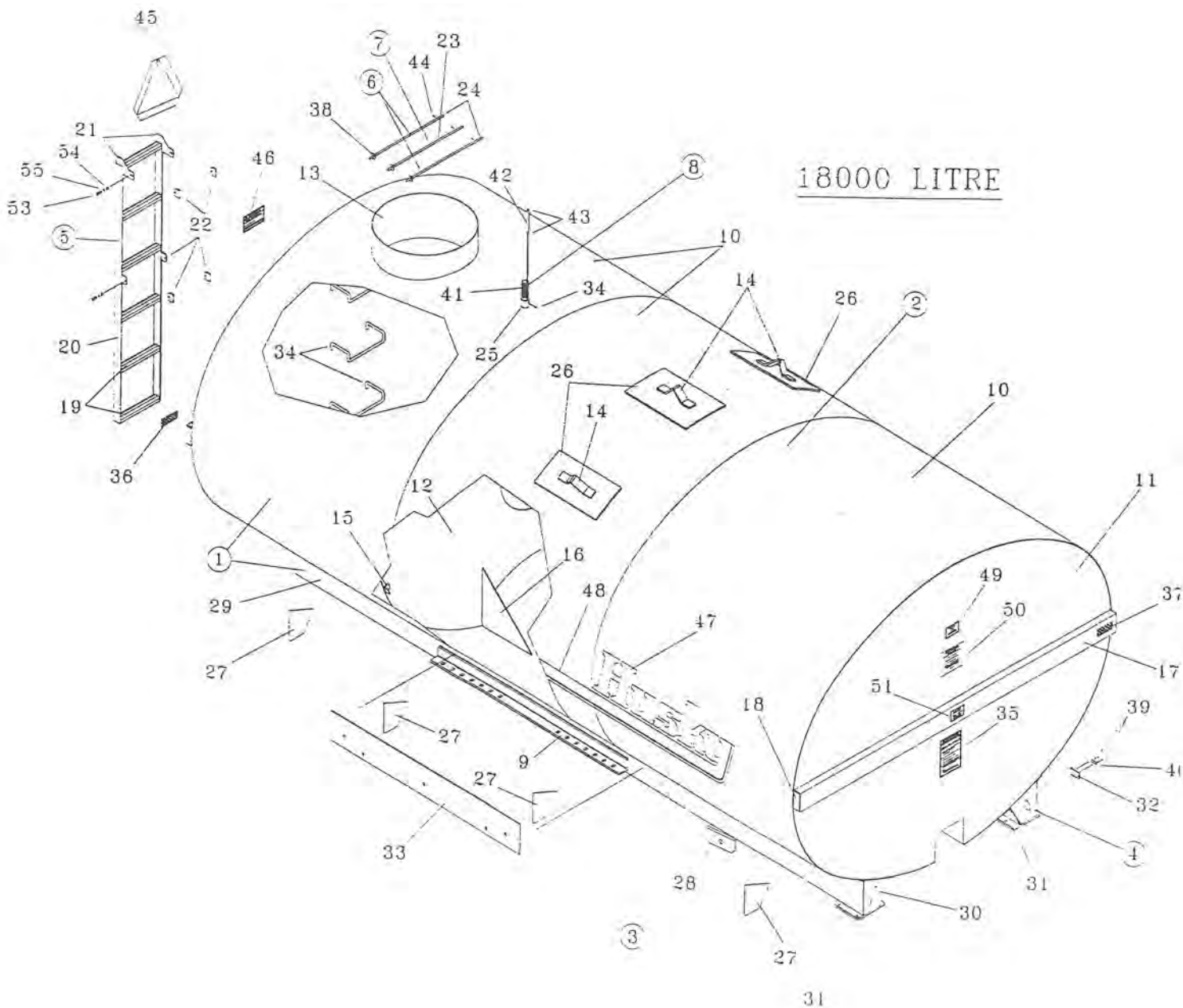
Wheel Bolt Size	Torque <u>Dry</u>	Ft. Lbs. <u>Oiled</u>	Torque <u>Dry</u>	Meter Kg <u>Oiled</u>
9/16 - 18 NF	190	145	26.28	20.06
5/8 - 18 NF	270	205	37.34	28.35
3/4 - 16 NF	470	360	65.01	49.79

(Check Daily)

6. Never enter a tanker without special breathing equipment to supply oxygen. Manure gases can kill instantly. One breath of Hydrogen Sulphide can kill.
7. When looking up or repairing hydraulic hoses always wear safety glasses and relieve pressure to avoid getting oil in eyes.
8. Caution - disc brakes will not release unless valve lever is held momentarily in opposite position. This will relieve pressure in brake line. Do not put in float position, they will not release.

18000L TANK COMPLETE

<u>Keys</u>	<u>Parts Number</u>	<u>Description</u>	<u>Qty</u>
1	358-31-00-000	18000L Tank & Sill Assy.	1
2	340-01-01-000	18000L Tank Assy.	1
3	340-01-02-000	RH Sill Assy.	1
4	340-01-03-000	LH Sill Assy.	1
5	364-95-00-000	Ladder Assy.	1
6	364-47-00-000	Manhole Safety Bar Assy.	2
7	364-49-00-000	Long Manhole Safety Bar	1
8	340-62-00-000	Husky Flag Kit	1



18000L TANK COMPLETE CONTINUED

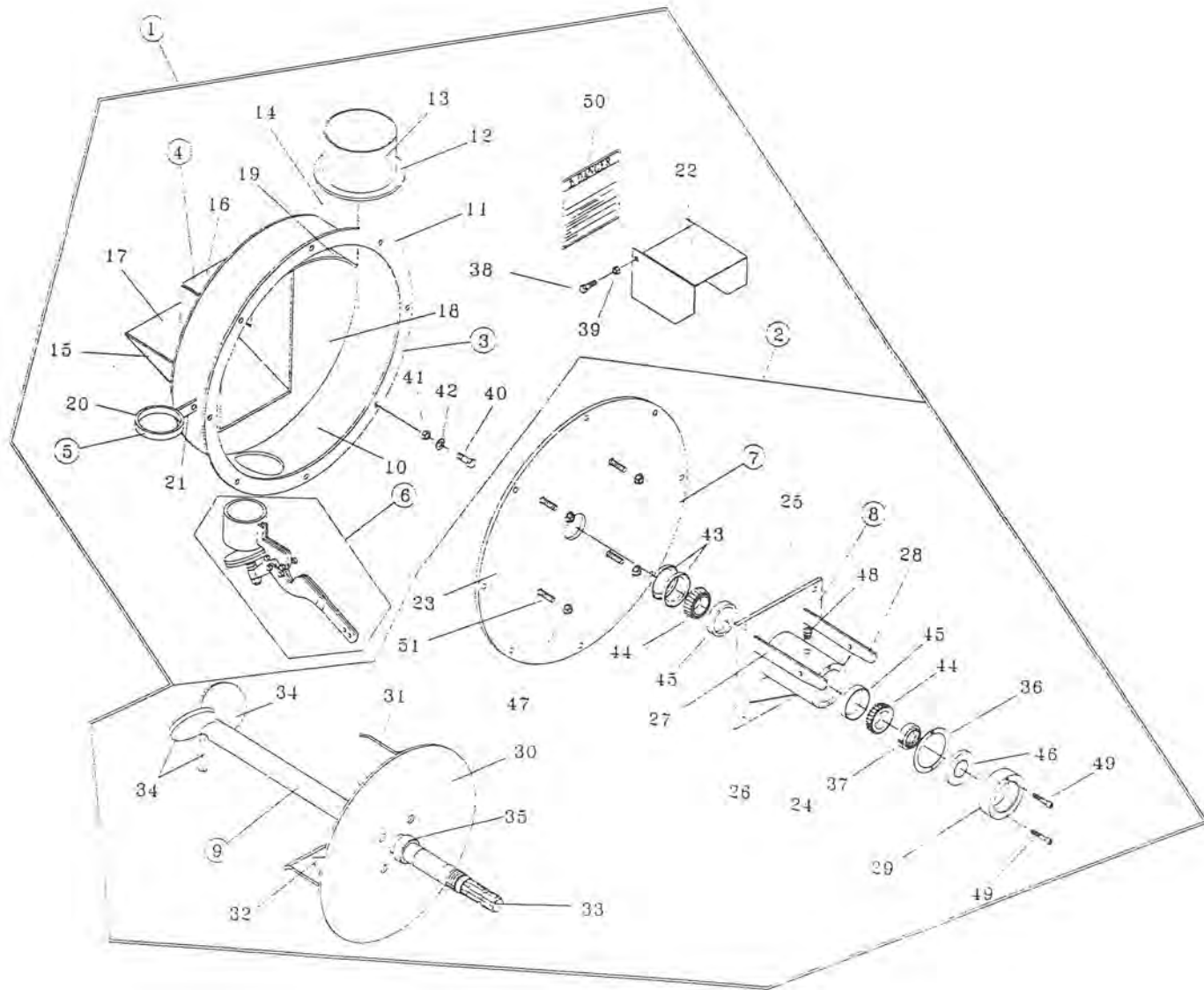
<u>KEYS</u>	<u>PARTS NUMBER</u>	<u>DESCRIPTION</u>	<u>QTY</u>
9	364-02-00-280	Axle Adjustment Angle	2
10	340-01-01-301	Tank Shell	3
11	340-01-01-300	Tank Ends	2
12	340-01-01-302	Baffle	2
13	364-02-00-006	Manhole	1
14	300-01-00-012	Lift Hook	3
15	300-01-00-016	Baffle Bracket	32
16	340-01-01-459	Baffle Gusset	8
17	340-01-06-312	Tank End Stiffener	2
18	340-01-06-464	Stiffener Cap	4
19	364-95-00-324	Ladder Step	6
20	364-95-00-325	Ladder Side	2
21	364-95-00-326	Ladder Lug	2
22	364-95-00-327	Ladder - Tank Lug	6
23	364-49-00-164	Long Manhole Safety Bar	1
24	364-24-00-155	Manhole Safety Bars	2
25	340-00-00-536	Flag Spring Holder	1
26	340-01-00-546	Reinforcing Plate	3
27	340-01-02-305	End Sill Stiffeners	8
28	315-31-00-115	Tongue "U" Piece	2
29	340-01-02-303	Sill	2
30	340-01-06-311	Sill Cap	4
31	340-01-07-460	Tank Support Hold Down Bracket	2
32	340-01-00-498	Serial Number Plate	1
33	340-01-02-304	Sill Reinforcing	2
34	364-02-00-008	Ladder Rung	4
35	R09783	"Caution" Decal	1
36	R10096	Red Reflector	2
37	R10097	Amber Reflector	1
38	R07825	1/2" Flat Washer	3
39	R08152	#6 x 1/4 Pan Head Screw	2
40	R09071	Serial Number	1
41	R08037	Flag Spring	1
42	340-62-00-553	Indicator	1
43	R08163	Clip	2
44	R08207	5/32 x 1 1/2 SS. Colter Pin	3
45	R09501	Slow Moving Vehicle Sign	1
46	R09784	"Danger - Toxic Gas..." Decal	1
47	R09510	"Husky" Decal	2
48	R09511	Accent Stripe	2
49	R09509	"Made In Canada" Decal	1
50	R09730	"Tire Pressure" Decal	1
51	R09512	Capacity Sticker	1
52	R07926	5/16-18 x 1/4 S.S. Set Screw	1
53	R07620	3/8 x 1 1/2 Hex Bolt	4
54	R07783	3/8 Hex Nut	4
55	R07803	3/8 Lock Washer	4

18000L FAN & HOUSING KIT

<u>Keys</u>	<u>Parts Number</u>	<u>Description</u>	<u>Qty</u>
1	364-23-00-000	Model E Fan & Housing Kit 540 RPM	*
	364-56-00-000	Model E Fan & Housing Kit 1000 RPM	1
2	364-65-00-000	540 Fan, Cover Plate, & Brg Kit	*
	364-66-00-000	1000 Fan, Cover Plate, & Brg Kit	1
3	364-01-03-000	Fan Housing Assembly	1
4	364-01-15-000	Housing Back Plate Assembly	1
5	364-41-00-000	PTO Holder Assembly	1
6	364-62-00-000	Drain Plug Kit	1
7	364-67-00-000	Cover Plate Assembly	1
8	364-61-00-000	Bearing Holder Assembly	1
9	364-72-00-000	Fan, Shaft & Agitator Assy - 540	*
	364-73-00-000	Fan, Shaft & Agitator Assy -1000	1
10	364-01-03-018	Housing Band	1
11	364-01-03-019	Housing Flange	1
12	364-01-03-062	Discharge Ring	1
13	364-01-03-063	Discharge Tube	1
14	364-01-03-081	Fan Housing Vertical Pc	1
15	364-01-03-103	Outlet Side Pc	2
16	364-01-03-104	Outlet Top Pc	1
17	364-01-03-105	Outlet Bottom Pc	1
18	364-01-03-106	Housing Back Plate	1
19	364-01-03-156	Housing Band Aid	1
20	364-41-00-132	Pto Holder	1
21	364-41-00-133	Pto Holder Brkt	1
22	364-00-00-029	Flip Guard	1
23	364-67-00-211	Cover Plate	1
24	364-61-00-191	Brg Tube	1
25	364-61-00-192	Seal Tube Back Plate	1
26	364-61-00-193	Seal Tube Gusset	2
27	364-61-00-197	RH Flip Guard Brkt	1
28	364-61-00-198	LH Flip Guard Brkt	1
29	364-00-00-332	Seal Tube Cap	1
30	364-63-00-209	Impeller Back Plate	1
31	364-63-00-208	540 RPM Fan Blade	*
	364-64-00-210	1000 RPM Fan Blade	4
32	364-03-00-024	Gusset	4
33	364-72-00-226	Fan Shaft	1
34	364-72-00-227	Agitator Blades	3
35	R20238	Hardened Sleeve	1
36	364-00-00-225	Cap Gasket	1
37	364-00-00-212	Stake Nut	1
38	R07619	3/8 x 1 Hex Bolt	2
39	R07886	3/8 Lock Nut	2
40	R07671	7/16 x 1 1/4 Hex Bolt	8
41	R07784	7/16 Hex Nut	8
42	R07804	7/16 Lock Washer	8
43	R21197	Seal - 2 1/2 X 3 X 1/4	2
44	R20115	Cone	2

FAN & HOUSING KIT CONTINUED

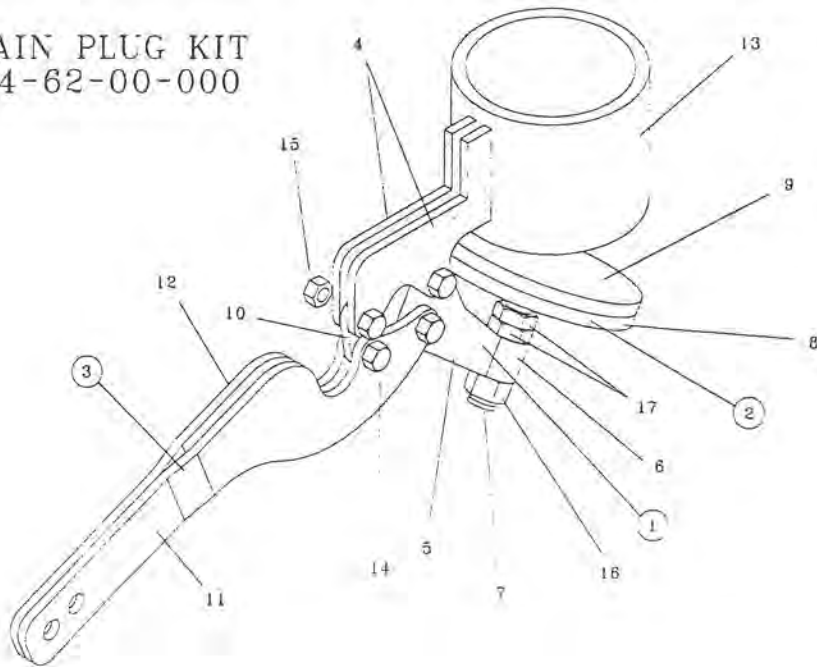
<u>Keys</u>	<u>Parts Number</u>	<u>Description</u>	<u>Qty</u>
45	R20113	Cup	2
46	R21196	Seal - 1.5 X 2.835 X .313	1
47	R07879	7/16 Flange Nut	4
48	R08188	Vent Plug	1
49	R08175	5/16-18 UNC x 1 3/4 Cap Screw	2
50	R09785	"Danger" Decal	1
51	R07774	7/16 x 1 1/4 Carriage Bolt Gr. 5 Black	4



DRAIN PLUG KIT

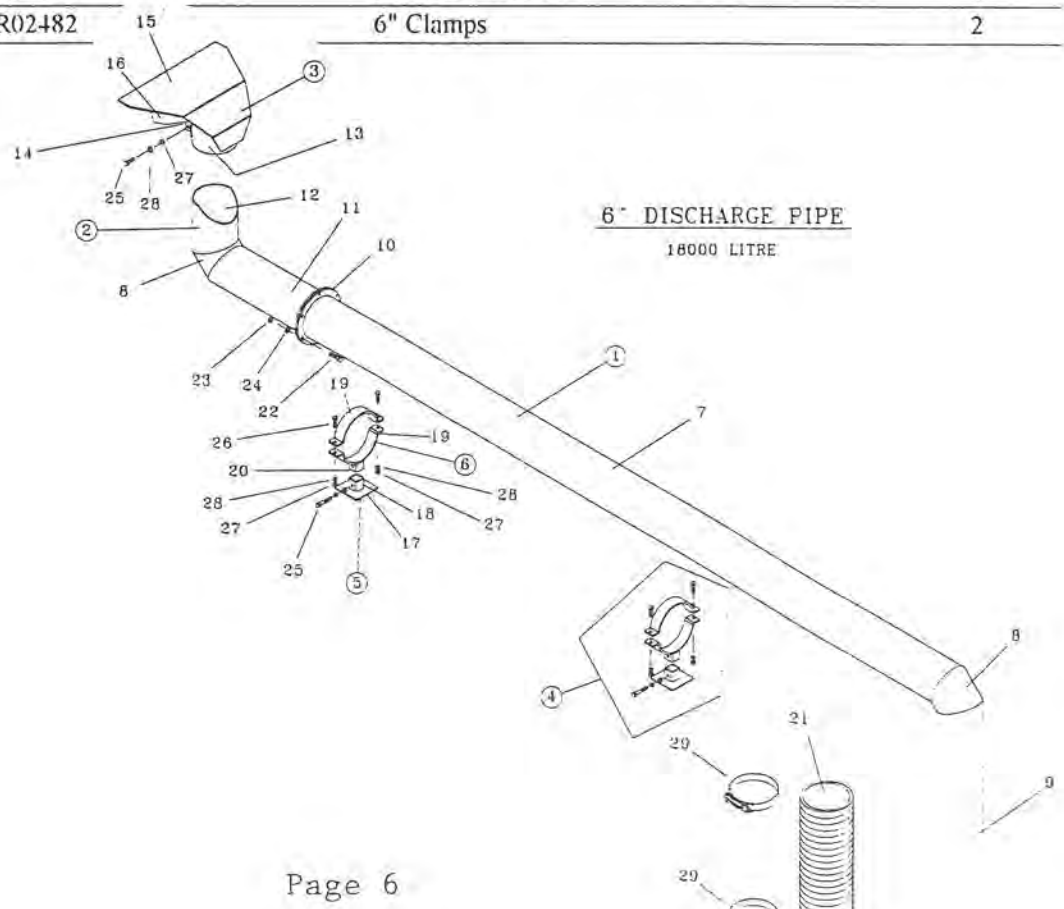
<u>Keys</u>	<u>Parts Number</u>	<u>Description</u>	<u>Qty</u>
1	364-62-01-000	Drain Plug Sleeve Assy	1
2	364-62-02-000	Plug Assy	1
3	364-62-03-000	Handle Assy	1
4	364-62-00-199	Housing Brkt	2
5	364-62-01-200	Sleeve Linkage	1
6	364-62-01-201	Sleeve	1
7	364-62-02-202	Adjustment Rod	1
8	364-62-02-203	Plug Plate	1
9	364-62-02-204	Plug Rubber	1
10	364-62-00-205	Short Linkage	1
11	364-62-03-206	LH Handle	1
12	364-62-03-207	Rh Handle	1
13	364-01-03-110	Drain Pipe	1
14	R08176	1/4-20 UNC x 7/8 Short Thrd Bolt	4
15	R08048	1/4-20 Lock Nut	4
16	R07885	1/2-13 Unc Hex Nyloc Nut	1
17	R08046	1/2-13 UNC Jam Nut	2

DRAIN PLUG KIT
364-62-00-000



DISCHARGE PIPE ASSEMBLY

<u>Keys</u>	<u>Parts Number</u>	<u>Description</u>	<u>Qty</u>
1	358-32-00-000	Discharge Pipe Assy - 18000L	1
2	364-25-00-000	Discharge Pipe End Section	1
3	364-68-00-000	Splash Plate Assy.	1
4	357-16-00-000	6" Discharge Pipe & Holder	2
5	357-16-01-000	Base Holder Assy.	2
6	357-16-02-000	Pipe Holder Assy	2
7	359-30-00-108	18000L Discharge Pipe - 6"	1
8	364-19-00-082	Discharge Pipe Corner Piece	2
9	358-32-00-109	Vertical Discharge Pipe	1
10	364-19-00-087	Flange	2
11	364-25-00-088	Discharge Pipe Flange Piece	1
12	364-25-00-067	Discharge Pipe End Piece	1
13	364-68-00-215	Clamping Tube	1
14	364-21-00-071	Clamping Tube Bracket	2
15	364-21-00-069	Splash Plate	1
16	364-21-00-224	Splash Plate Wing	2
17	357-16-01-130	Base Plate	2
18	357-16-01-131	Stub	2
19	357-16-00-133	Pipe Holder - 6"	4
20	357-16-02-137	Upper Stub	2
21	364-00-00-066	Flex Hose	1
22	R07671	7/16 x 1 1/4 Hex Bolt	6
23	R07784	7/16 Hex Nut	6
24	R07804	7/16 Lock Washer	6
25	R07622	3/8 x 2 1/2 Hex Bolt	4
26	R07620	3/8 x 1 1/2 Hex Bolt	4
27	R07783	3/8 Hex Nuts	8
28	R07803	3/8" Lock Washer	8
29	R02482	6" Clamps	2

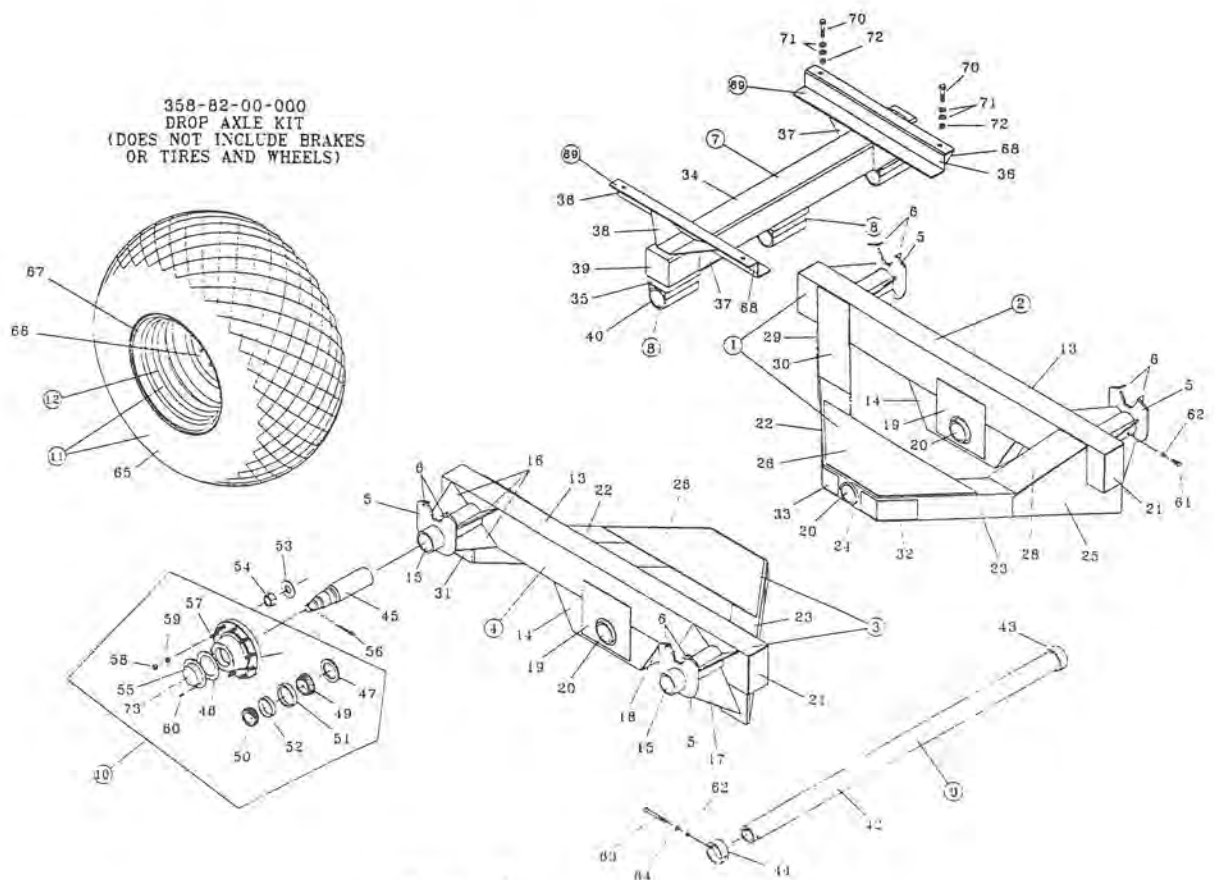


358-82-00-000 DROP AXLE KIT

<u>Keys</u>	<u>Parts Number</u>	<u>Description</u>	<u>Qty</u>
1	358-83-00-000	R.H. Tandem Side Assy	1
2	358-83-01-000	R.H. Walker Assy	1
3	358-84-00-000	L.H. Tandem Side Assy	1
4	358-84-01-000	L.H. Walker Assy.	1
5	340-08-10-332	Cailper Mounting Plate	4
6	340-08-10-334	Caliper Support Plate	8
7	358-85-00-000	Base Frame Assy.	1
8	340-07-08-000	Stationary Sleeve Assy.	3
9	358-86-00-000	Main Axle Tube Assy.	1
10	340-43-00-000	16000 LB - 10 Bolt Hub Kit	4
11	330-04-00-000	28L x 26 Tire & Wheel Assy	4
	340-18-00-000	23.5L X 25 Tire. Tube & Wheel Assy.	*
12	330-04-43-000	Wheel Assy For 28L Tire	4
	340-18-24-000	Wheel Assy For 23.5L Tire	*
13	358-83-01-228	Walking Beam	1
14	358-83-01-229	Drop Tube	2
15	358-83-01-230	Spindle Sleeve	4
16	358-83-01-231	Small Spindle Sleeve Gusset	12
17	358-83-00-232	Large Spindle Sleeve Gusset	4
18	358-83-01-233	Drop Tube End Cap	4
19	358-83-01-234	Drop Tube Reinforcing Plate	4
20	358-83-01-235	Walker Sleeve	4
21	358-83-01-236	Walking Beam End Cap	4
22	358-83-00-237	Front Tandem Arm	2
23	358-83-00-238	Rear Tandem Arm	2
24	358-83-00-239	Middle Connector Tube	2
25	358-83-00-240	Rear Gusset	4
26	358-83-00-241	Middle Reinforcing Plate	4
27	358-83-00-242	Rear Tandem Arm End Cap	2
28	358-83-00-243	Rear Gusset Cap	2
29	358-83-00-244	Front Gusset	4
30	358-83-00-246	Front Gusset Cap	2
31	358-83-00-247	Front Tandem Arm End Cap	2
32	358-83-00-248	Rear Tie Plate	2
33	358-83-00-249	Front Tie Plate	2
34	358-85-00-250	Cross Axle Support	1
35	358-85-00-251	Spacer Bar	3
36	358-85-00-253	Sill "Z" Plate	2
37	340-07-00-330	Double Gusset	4
38	340-11-00-354	Reinforcing Plate	2
39	340-07-00-329	Cover Plate	2
40	340-07-08-322	Stationary Sleeve	3
41	340-07-08-323	Sleeve Channel	3
42	358-86-00-252	Main Axle Tube	1
43	340-63-00-538	Stop Ring	1
44	340-00-00-346	Retaining Ring	1
45	340-00-00-347	Spindle	4
46	340-43-00-451	16000 Lb - 10 Bolt Hub W/ Cups	4
47	R20083	Seal CR-38730	4
48	R20084	Dust Cap Gasket	4
49	R20086	Inner Cone - 476871	4
50	R20087	Outer Cone - 39585	4

358-82-00-000 DROP AXLE KIT COUNTINUED

<u>Keys</u>	<u>Parts Number</u>	<u>Description</u>	<u>Qty</u>
51	R20088	Inner Cup - 47620	4
52	R20089	Outer cup - 39520	4
53	340-00-00-556	Spindle Washer	4
54	R20092	Spindle Nut 1 3/4 - 12 UNF	4
55	340-43-00-554	Dust Cap	4
56	R20095	Cotter Pin	4
57	R20096	Wheel Bolts 3/4 - 16 UNF	40
58	R07820	3/4"-16 UNF Fedalloy Hex Nut	40
59	R20152	3/4" Spherical Washer	40
60	R07690	Dust Cap Bolt 5/16 x 5/8	16
61	R07927	5/8 x 1 1/2 Sq Hd Set Screw	8
62	R07786	5/8 Hex Nut	8
63	R07653	5/8 x 6 Hex Bolt	1
64	R07806	5/8 Lock Washer	1
65	R20015	28L x 26 Tire	4
	R20012	23.5L x 25 Tire	*
66	R20052	Centre Disc For 28L x 26 Wheel	4
	R20055	Centre Disc For 23.5L x 25 Wheel	*
67	R20053	Rim For 28L x 26 Tire	4
	R20060	Rim For 23.5L x 25 Tire	*
68	330-69-00-550	Gusset	4
69	330-69-01-000	Sill "Z" Plate Assy	2
70	R07655	3/4 x 2 1/2 Hex Bolt	4
71	R07878	3/4" Nyloc Hex Nut	4
72	R07827	3/4" Flat Washer	8
73	R08183	1/4-28 UNF Grease Fitting	4

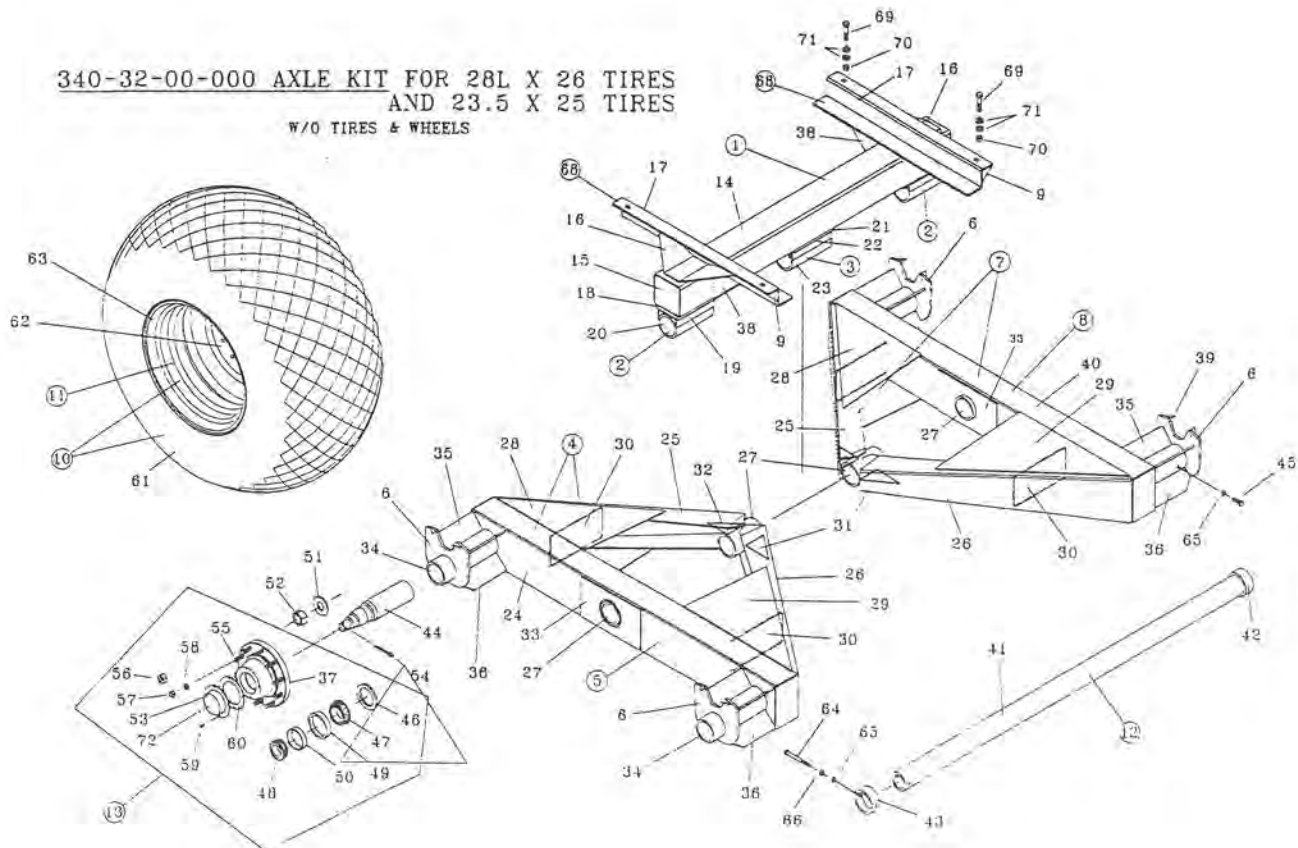


340-32-00-000 STRAIGHT AXLE KIT

<u>Keys</u>	<u>Parts Number</u>	<u>Description</u>	<u>Qty</u>
1	340-11-00-000	Base Frame Assembly	1
2	340-07-08-000	Stationary Sleeve Assembly	2
3	340-11-28-000	Centre Sleeve Assembly	1
4	340-12-00-000	R.H. Tandem Side Assembly	1
5	340-12-20-000	R.H. Walking Beam Assembly	1
6	340-08-10-332	Caliper Mounting Plate	4
7	340-13-00-000	L.H. Tandem Side Arm Assembly	1
8	340-13-31-000	L.H. Walking Beam Assembly	2
9	330-69-00-550	Gusset	4
10	330-04-00-000	28L x 26 Tire. Tube & Wheel Assembly	4
	340-18-00-000	23.5L x 25 Tire. Tube & Wheel Assembly	*
11	330-04-43-000	Wheel Assembly For 28L Tire	4
	340-18-24-000	Wheel Assembly For 23.5L Tire	*
12	340-63-00-000	Axle Tube Assembly	1
13	340-43-00-000	10 Bolt Hub Complete Assembly	4
14	340-11-00-353	Cross Axle Support	1
15	340-07-00-329	Cover Plate	2
16	340-11-00-354	Reinforcing Plate	2
17	358-85-00-253	Sill "Z" Plate	2
18	340-07-00-324	Spacer	2
19	340-07-08-323	Side Sleeve Channel	2
20	340-07-08-322	Stationary Sleeve	2
21	340-11-00-519	Spacer	1
22	340-11-28-517	Centre Sleeve Channel	1
23	340-11-28-518	Centre Sleeve	1
24	340-12-00-355	R.H. Walking Beam	1
25	340-12-00-358	Tandem Side Arm - Short	2
26	340-12-00-359	Tandem Side Arm - Long	2
27	340-08-00-341	Rocker Sleeve	4
28	340-12-00-529	Walking Beam Gusset - Rear	4
29	340-12-00-530	Walking Beam Gusset - Front	4
30	340-12-00-360	Vertical Brace	4
31	340-12-00-362	Tandem Gusset - Front	2
32	340-12-00-361	Tandem Gusset - Rear	2
33	340-12-00-533	Rocker Sleeve Reinforcing Plate	4
34	340-12-00-357	Spindle Sleeve	4
35	340-12-30-531	Spindle Sleeve Gusset - Upper	8
36	340-12-30-532	Spindle Sleeve Gusset - Lower	8
37	340-43-00-451	10 Bolt Hub w/ Cups 16000 Lbs	4
38	340-07-00-330	Double Gusset	4
39	340-08-10-334	Caliper Plate Support	8
40	340-13-00-356	LH Walking Beam	1
41	340-63-00-537	Main Axle Tube	1
42	340-63-00-538	Stop Ring	1
43	340-00-00-346	Retaining Ring	1
44	340-00-00-347	Spindle	4
45	R07927	5/8 x 1 1/2 Sq. Head Set Screw	8
46	R20083	Seal	4
47	R20086	Inner Cone	4
48	R20087	Outer Cone	4
49	R20088	Inner Cup	4
50	R20089	Outer Cup	4

340-32-00-000 STRAIGHT AXLE KIT CONTINUED

<u>Keys</u>	<u>Parts Number</u>	<u>Description</u>	<u>Qty</u>
51	340-00-00-556	Spindle Washer 1 13/16	4
52	R20092	Spindle Nut 1 3/4-12 UNF,	4
53	340-43-00-554	Dust Cap	4
54	R20095	Cotter Pin 5/16 x 4	4
55	R20096	Wheel Bolts	40
56	R20097	3/4" SPH-RAD Wheel Nut	40
57	R07820	3/4-16 UNF Fedalloy Hex Nut	*
58	R07834	3/4 Fedalloy Flat Washer	*
59	R07690	Dust Cap Bolt 5/16 x 5/8	16
60	R20084	Dust Cap Gasket	4
61	R20015	28L x 26 Tire & Tube	4
	R20012	23.5L x 25 Tire	*
62	R20052	Centre Disc For 28L x 26 Wheel	4
	R20055	Centre Disc For 23.5L x 25 tire	*
63	R20053	Rim For 28L x 26 Tire	4
	R20060	Rim For 23.5L x 25 Tire	*
64	R07653	5/8 x 6 Hex Bolt	1
65	R07786	5/8 Hex Nut	9
66	R07806	5/8 Lock Washer	1
67	R07927	5/8 x 1 1/2 Sq. Hd. Set Screw	8
68	330-69-01-000	Sill "Z" Plac Assy	2
69	R07655	3/4 x 2 1/2 Hex Hd. Bolt	4
70	R07878	3/4" Nyloc Hex Nut	4
71	R07827	3/4" Flat Washer	8
72	R08183	1/4-28 UNF Grease Fitting	4

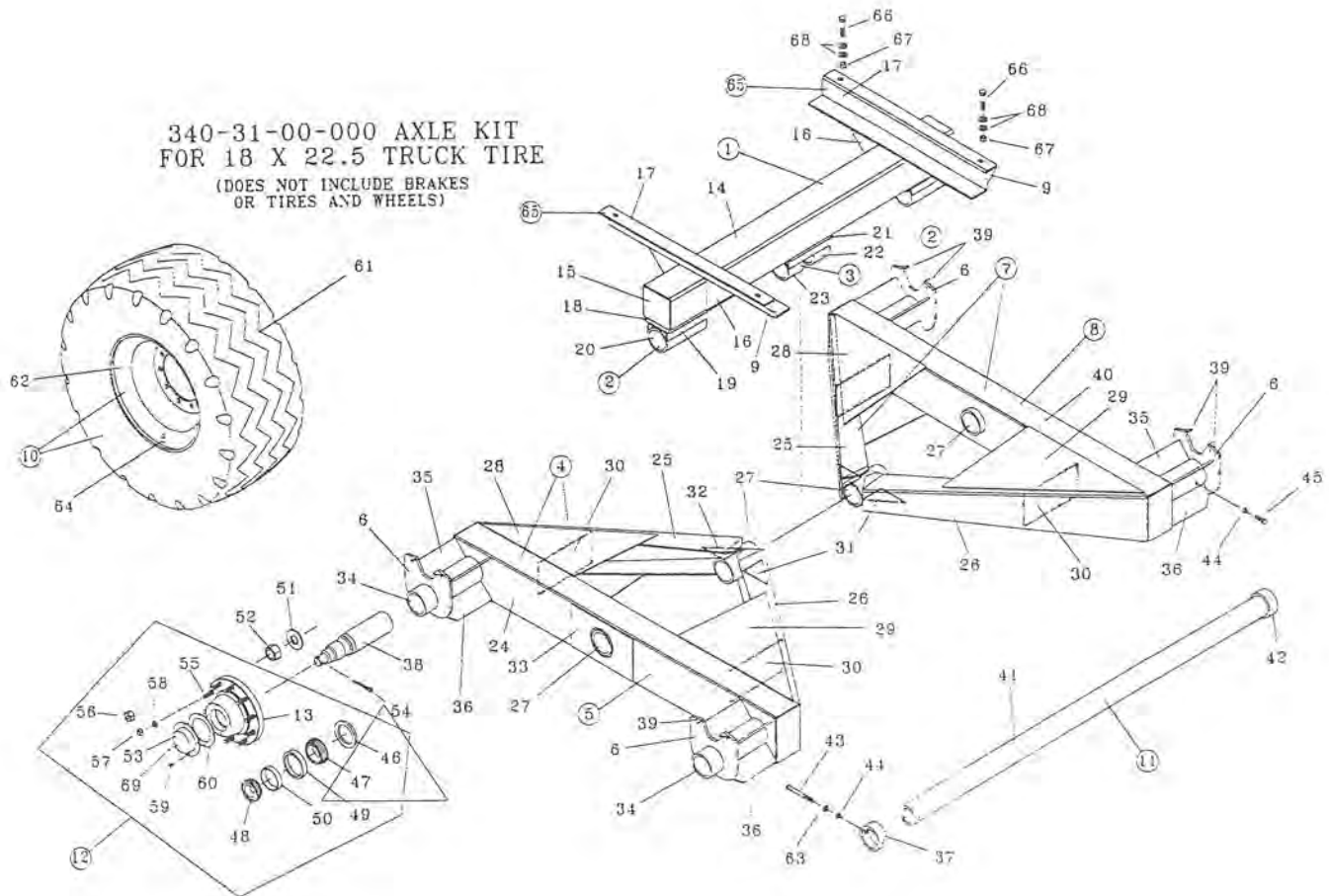


AXLE KIT FOR 18 X 22.5 TRUCK TIRE

<u>Keys</u>	<u>Parts Number</u>	<u>Description</u>	<u>Qty</u>
1	340-07-00-000	Base Frame Assy.	1
2	340-07-08-000	Stationary Sleeve Assy.	2
3	340-07-09-000	Centre Sleeve Assy.	1
4	340-08-00-000	R.H. Tandem Side Assy.	1
5	340-08-32-000	R.H. Walking Beam Assy.	1
6	340-08-10-332	Caliper Mounting Plate	4
7	340-09-00-000	L.H. Tandem Side Assy.	1
8	340-09-33-000	L.H. Walking Beam Assy.	1
9	330-69-00-550	Gusset	4
10	340-19-00-000	Tire & Wheel Assy. 18 x 22.5	4
11	340-64-00-000	Main Axle Tube Assy.	1
12	340-43-00-000	10 Bolt Hub Complete	4
13	340-43-00-451	10 Bolt Hub w/Cups - 16000 Lb	4
14	340-07-00-328	Cross Axle Support	1
15	340-07-00-329	Cover Plate	2
16	340-07-00-330	Double Gusset	4
17	358-85-00-253	Sill "Z" Plate	2
18	340-07-00-324	Spacer	2
19	340-07-08-323	Side Sleeve Channel	2
20	340-07-08-322	Stationary Sleeve	2
21	340-07-00-327	Centre Sleeve Spacer	1
22	340-07-09-326	Centre Sleeve Channel	1
23	340-07-09-325	Centre Sleeve	2
24	340-08-00-335	R.H. Walking Beam	1
25	340-08-00-338	Tandem Side Arm - Rear	2
26	340-08-00-337	Tandem Side Arm - Front	2
27	340-08-00-341	Rocker Sleeve	4
28	340-08-00-527	Walking Beam Gusset - Rear	4
29	340-08-00-528	Walking Beam Gusset - Front	4
30	340-08-00-344	Vertical Brace	4
31	340-08-00-339	L.H. Tandem Gusset	2
32	340-08-00-340	R.H. Tandem Gusset	2
33	340-12-03-533	Rocker Sleeve Reinforcing Plate	2
34	340-08-00-342	Spindle Sleeve	4
35	340-08-32-534	Spindle Sleeve Gusset - Upper	8
36	340-08-32-535	Spindle Sleeve Gusset - Lower	8
37	340-00-00-346	Retaining Ring	1
38	340-00-00-347	Tandem Spindle	4
39	340-08-10-334	Caliper Plate Support	8
40	340-09-00-336	L.H. Walking Beam	1
41	340-64-00-539	Main Axle Tube	1
42	340-63-00-538	Stop Ring	1
43	R07653	5/8 x 6 Hex Bolt	1
44	R07786	5/8 Hex Nut	9
45	R07927	5/8 x 1 1/2 Sq. Hd. Set Screw	8
46	R20083	Seal	4
47	R20086	Inner Cone	4
48	R20087	Outer Cone	4
49	R20088	Inner Cup	4
50	R20089	Outer Cup	4
51	340-00-00-556	Spindle Washer 1 13/16	4
52	R20092	Spindle Nut 1 3/4-12 UNF	4

AXLE KIT FOR 18 X 22.5 TRUCK TIRE CONTINUED

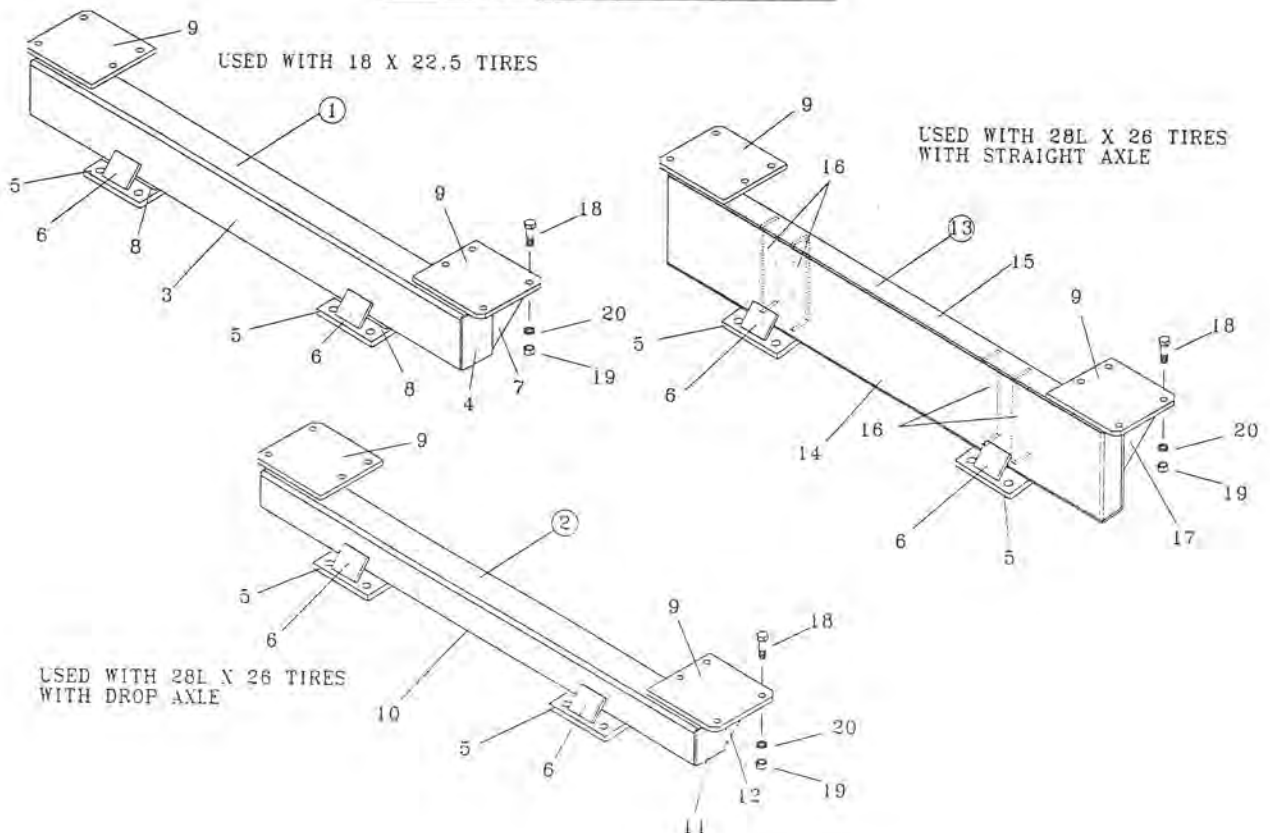
<u>Keys</u>	<u>Parts Number</u>	<u>Description</u>	<u>Qty</u>
53	340-43-00-554	Dust Cap	4
54	R20095	Cotter Pin 5/16 x 4	4
55	R20096	Wheel Bolts	40
56	R20097	Wheel Nuts 3/4" SPA-RAD	40
57	R07820	3/4-16 UNF Fedalloy Hex Nut	*
58	R07834	3/4 Fedalloy Flat Washer	*
59	R07690	Dust Cap Bolt 5/16 x 5/8	16
60	R20084	Dust Cap Gasket	4
61	R20011	Used 18 x 22.5 Truck Tire	4
62	R20059	13.5 x 22.5 Rim - 10 Bolt	4
63	R07806	5/8 Lock Washer	1
64	R20050	Valve Stem	4
65	330-69-01-000	Sill "Z" Plate Assy	2
66	R07655	3/4 x 2 1/2" Hex Bolt	4
67	R07878	3/4" Nyloc Hex Nut	4
68	R07827	3/4" Flat Washer	8
69	R08183	1/4-28 UNF Grease Fitting	4



TONGUE CROSS SUPPORT

<u>Keys</u>	<u>Parts Number</u>	<u>Description</u>	<u>Qty</u>
1	358-45-00-000	Cross Member Assy - 18 x 22.5 Tires	1
2	358-81-00-000	Cross Member Assy - 28L x 26 Tires - Drop Axle	*
3	358-45-00-146	Cross Member - 18 x 22.5 Tires	1
4	358-45-00-147	End Cap	2
5	358-45-00-148	Tongue Strap	2
6	364-02-17-123	Tongue Strap Gusset	2
7	358-45-00-149	Gusset	2
8	358-45-00-150	Filler Rod	2
9	340-01-07-460	Tank Support Hold Down Bracket	2
10	358-81-00-277	Cross Member - 28L x 26	1
11	358-81-00-278	End Cap	2
12	358-81-00-279	Gusset	2
13	358-46-00-000	Cross Member Assy. 28L - Straight Axle	*
14	364-27-00-094	Support Cover	1
15	364-27-00-095	Support	1
16	364-27-00-096	Inside Brace	4
17	358-46-00-221	Gusset	2
18	R07647	5/8 x 2 Hex Bolt	8
19	R07786	5/8 Hex Nut	8
20	R07806	5/8 Lock Washer	8

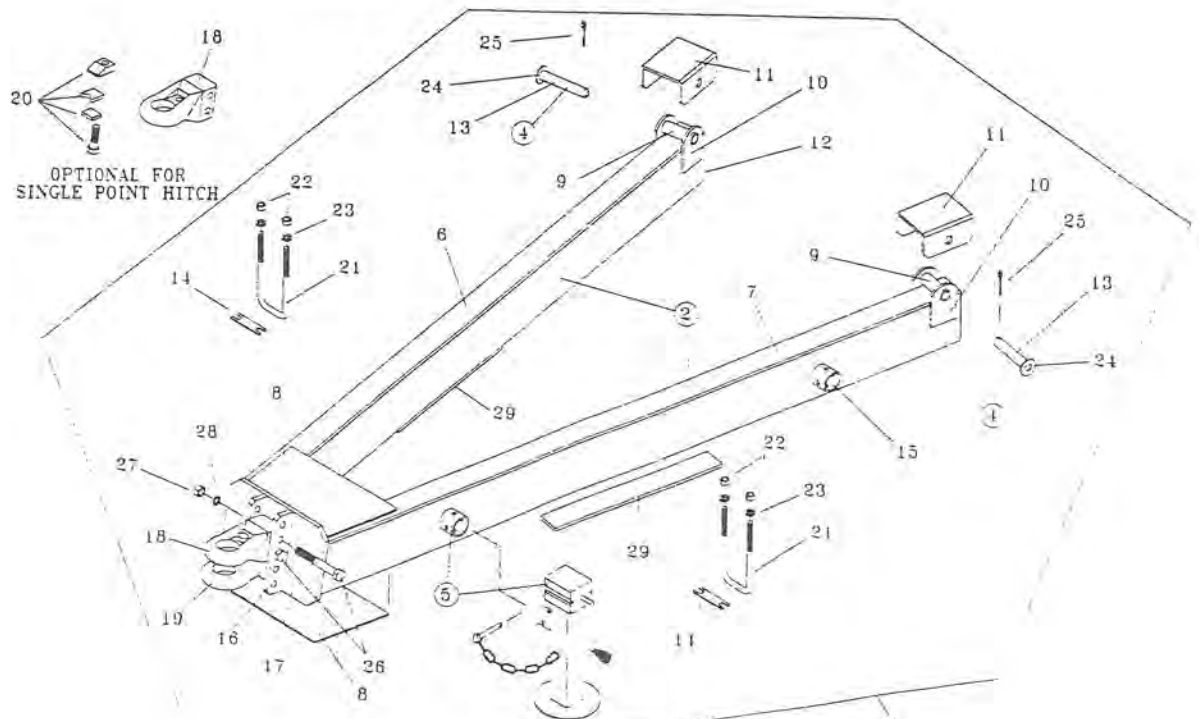
TONGUE CROSS SUPPORTS



TONGUE AND HITCH

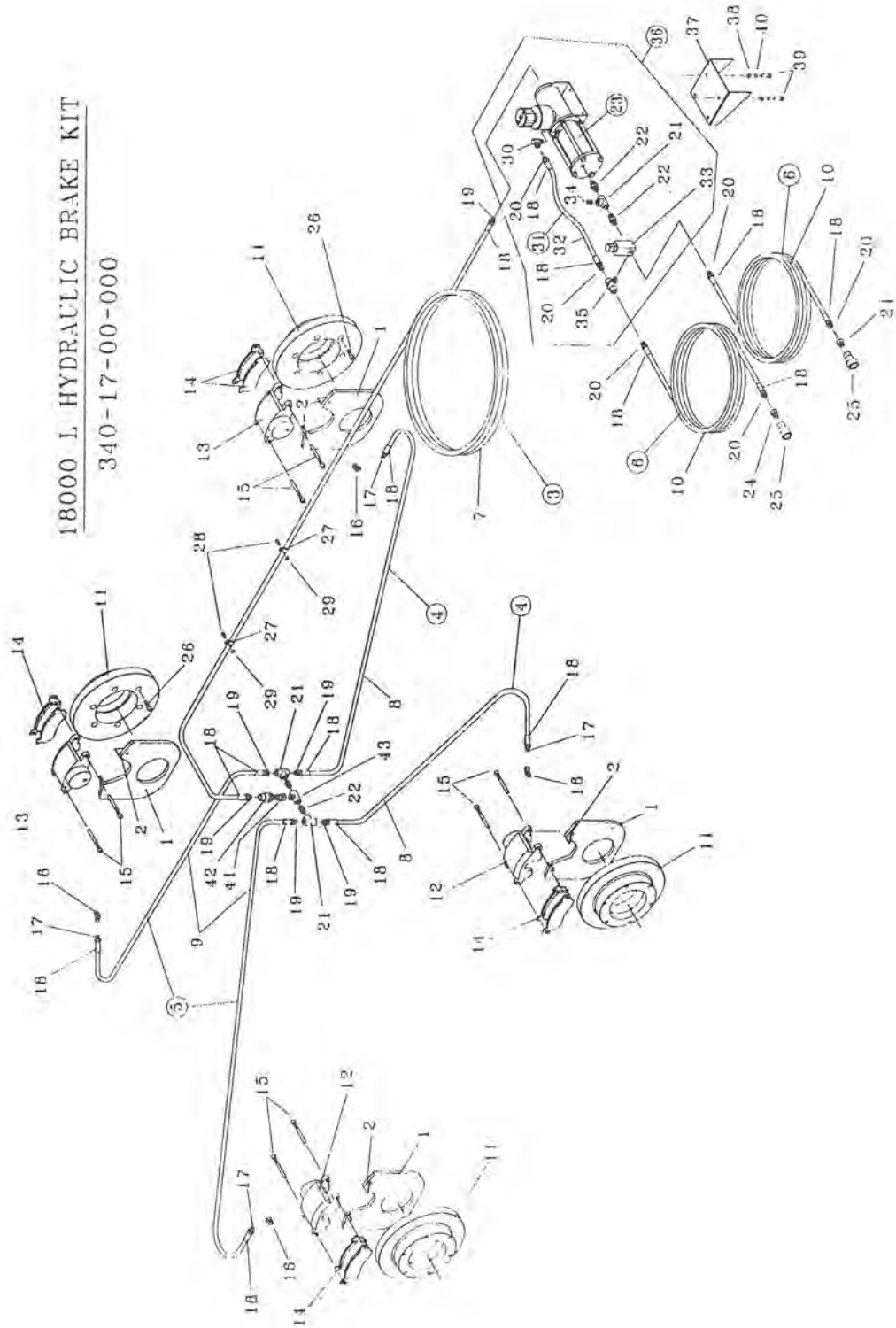
<u>Keys</u>	<u>Parts Number</u>	<u>Description</u>	<u>Qty</u>
1	357-19-00-000	Tongue & Hitch Kit	1
2	357-18-00-000	Tongue Assy	1
3	357-18-01-000	Hitch Back Plate Assy	1
4	315-39-00-000	Lock Pin Assy	2
5	357-14-00-000	8000 LB Side Wind Jack	1
6	358-42-00-135	RH Tongue Tube	1
7	358-42-00-136	LH Tongue Tube	1
8	358-42-00-138	Tongue Tube Gusset	2
9	315-36-00-145	Bushing	2
10	315-36-00-146	Side Picce	4
11	315-31-00-115	Tongue "U" Picce	2
12	315-36-00-147	Tongue Tube End Cap	2
13	315-39-00-155	Lock Pin	2
14	364-00-00-131	"U" Bolt Spacer	2
15	358-42-00-260	Tongue Jack Bracket	1
16	357-18-01-138	Hitch side Plate	2
17	357-18-01-139	Hitch Back Plate	1
18	R10454	Hitch Base	1
19	R10455	Hitch Clevis	1
20	R10460	Single Point Hitch Components Kit	1
21	R08172	3/4" NF x 10" U-Bolt	2
22	R07820	3/4" NF Hex Nut	4
23	R07807	3/4" Lock Washer	4
24	R07830	1 1/4 Flat Washer	2
25	R08016	1/4 x 2 Cotter Pin	2
26	R07668	1" - 8 UNC x 7 Hex Bolt	2
27	R07788	1" - 8 UNC Hex Nut	2
28	R07808	1" Lock Washer	2
29	357-00-00-129	Reinforcing Plate-23 & 28000L Only	2

18, 23 AND 28000L TONGUE AND HITCH KIT



18000 L HYDRAULIC BRAKE KIT

340-17-00-000

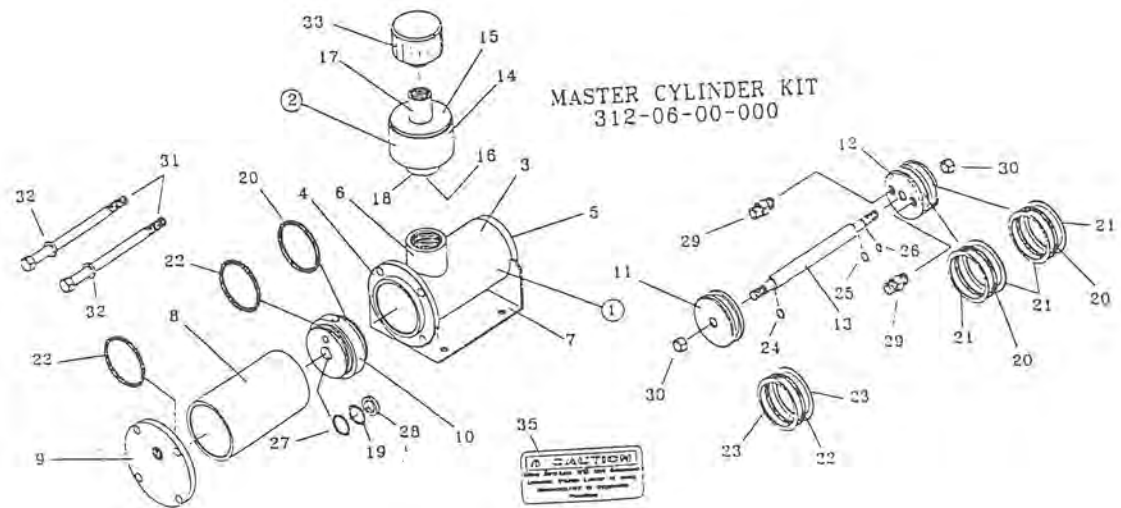


HYDRAULIC BRAKE KIT

<u>Keys</u>	<u>Parts Number</u>	<u>Description</u>	<u>Qty</u>
1	340-08-10-332	Caliper Mounting Plate	4
2	340-08-10-334	Caliper Mounting Support	8
3	340-17-38-000	Hyd. Brake Hose Assy. - Main Line	1
4	340-17-13-000	Hyd. Brake Hose Assy. - Front 18 x 22.5	2
	340-17-15-000	Hyd. Brake Hose Assy. - Front 28L x 26	*
5	340-17-14-000	Hyd. Brake Hose Assy. - Rear 18 x 22.5	2
	340-17-16-000	Hyd. Brake Hose Assy. - Rear 28L x 26	*
6	340-17-39-000	Hyd. Hose Assy.	2
7	340-17-38-544	Hyd. Hose - Main Line	1
8	340-17-13-368	Hyd. Hose - Front 18 x 22.5	2
	340-17-15-390	Hyd. Hose - Front 28L x 26	*
9	340-17-14-369	Hyd. Hose - Rear 18 x 22.5	2
	340-17-16-391	Hyd. Hose - Rear 28L x 26	*
10	340-17-39-545	Hyd. Hose	2
11	R20098	Cast Disc Brakes	4
12	R21065	R.H. Brake Caliper TC500	2
13	R21066	L.H. Brake Caliper TC501	2
14	R21067	Brake Pads (Pair)	4
15	R21070	Guide Pins	8
16	R21308	45 Deg. 7/16 SAE x 1/4 NPT Adaptor	4
17	R20802	1/4-18 NPT Solid Male Stem	4
18	R21231	Steel Ferrule (1/4" Hose)	16
19	R20806	3/8-18 NPT Swivel Male Stem	6
20	R20803	3/8-18 NPT Solid Male Stem	6
21	R21400	3/8 Pipe Tee	3
22	R21399	3/8 Hyd Nipple	4
23	312-06-00-000	Master Cylinder Kit	1
24	R02043	1/2 x 3/8 Bushing	2
25	R21342	Pioneer Coupler	2
26	R07871	1/2-20 x 3 Socket Hd. Cap Screw	24
27	R21104	Hyd. Hose Clips	12
28	R07698	1/4 x 1/2 hex Bolt	12
29	R07781	1/4 hex Nut	12
30	R21334	1/4M x 3/8 F x 90 Deg. Swivel Adaptor	1
31	312-06-05-000	Hydraulic Hose Assy.	1
32	312-06-05-048	Hydraulic Hose	1
33	R21201	Relief Valve	1
34	R02151	3/8 Pipe Plug	1
35	R21391	3/8 NPT Swivel Tee Adaptor	1
36	312-09-00-000	Master Cylinder With Relief & Hose	1
37	312-06-00-047	Tongue Brkt	1
38	R07788	3/8-16 UNC Hex Nut	4
39	R07620	3/8-16 UNC x 1 1/2 Hex Bolt	4
40	R07803	3/8 Lock Washer	4
41	R21337	3/8 Female Pioneer End	1
42	R21339	3/8 Male Pioneer End	1
43	R22111	3/8 Tee - Female To Male	1

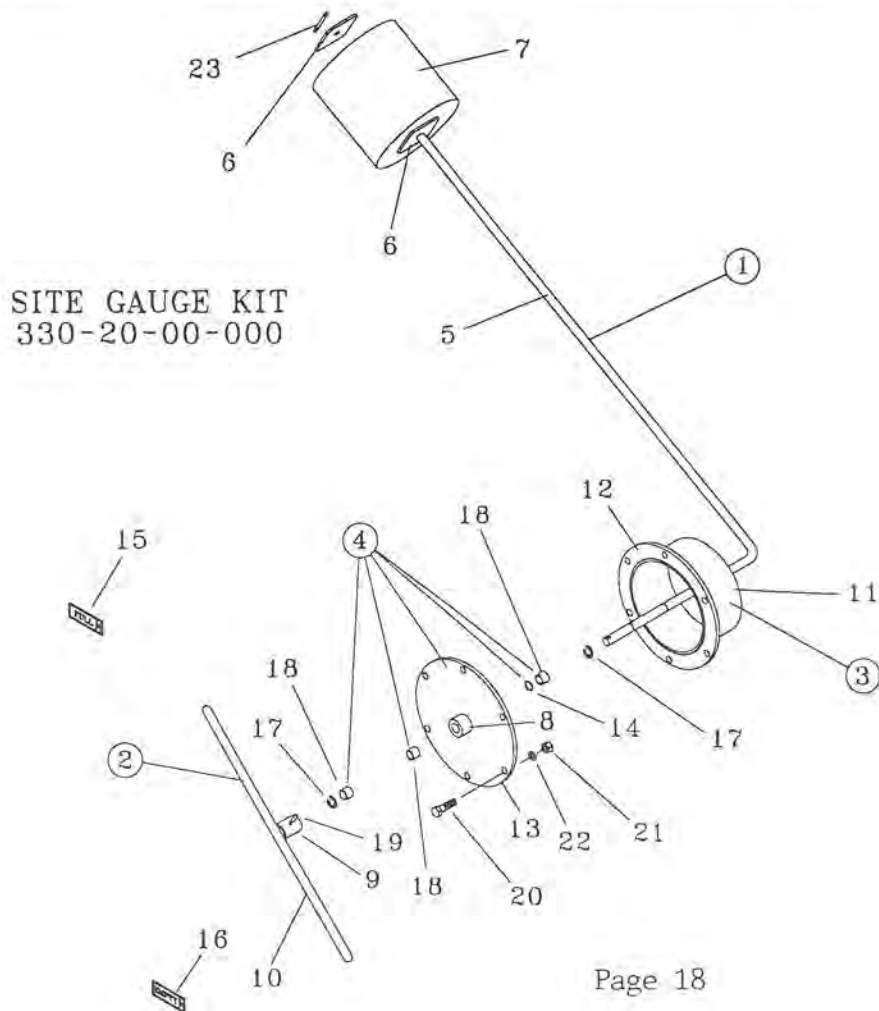
MASTER CYLINDER

<u>Keys</u>	<u>Parts Number</u>	<u>Description</u>	<u>Qty</u>
1	312-06-02-000	Master Cylinder Tube Assembly	1
2	312-06-03-000	Reservoir Assy	1
3	312-06-02-030	Master Cylinder Tube	1
4	312-06-02-031	Master Cylinder Flange	1
5	312-06-02-032	Master Cylinder End Cap	1
6	312-06-02-033	Coupler	1
7	312-06-02-034	Mount Plate	1
8	312-06-00-035	Hydraulic Cylinder Tube	1
9	312-06-00-036	Hydraulic Cylinder End Cap	1
10	312-06-00-037	Cylinder Divider Block	1
11	312-06-00-038	Hydraulic Plunger	1
12	312-06-00-039	Master Cylinder Plunger	1
13	312-06-00-040	Shaft	1
14	312-06-03-041	Reservoir Tube	1
15	312-06-03-042	Reservoir Top Plate	1
16	312-06-03-043	Reservoir Bottom Plate	1
17	312-06-03-045	Reservoir Coupling	1
18	312-06-03-046	Reservoir Nipple	1
19	R20874	3/4" Back Up Teflon	1
20	R20868	EP ORing #334 (2 5/8 x 3 x 3/16)	3
21	R20873	Back Ups Teflon #334	4
22	R20836	O Ring #11-334 (2 5/8 x 3 x 3/16)	3
23	R20837	Back Ups #8-334	2
24	R20865	O Ring #11-014 (1/2 x 5/8 x 1/16)	1
25	R20870	EP Oring 014 (1/2 x 5/8 x 1/16)	1
26	R20869	EP Oring 012 (3/8 x 1/2 x 1/16)	1
27	R20871	EP Oring 210 (3/4 x 1 x 1/8)	1
28	R20872	3/4" Hytrel Rod Wiper 52-750	1
29	R21207	3/8 Check Valve	2
30	R07885	1/2"-13 UNC Lock Nut	2
31	R07679	1/2-13 UNC x 8 Hex Bolt	4
32	R07805	1/2 Lock Washer	4
33	R21103	Filler Breather	1
34	312-07-00-000	O Ring Repair Kit	*
35	R09689	"Caution" Decal	1



SIGHT GAUGE KIT

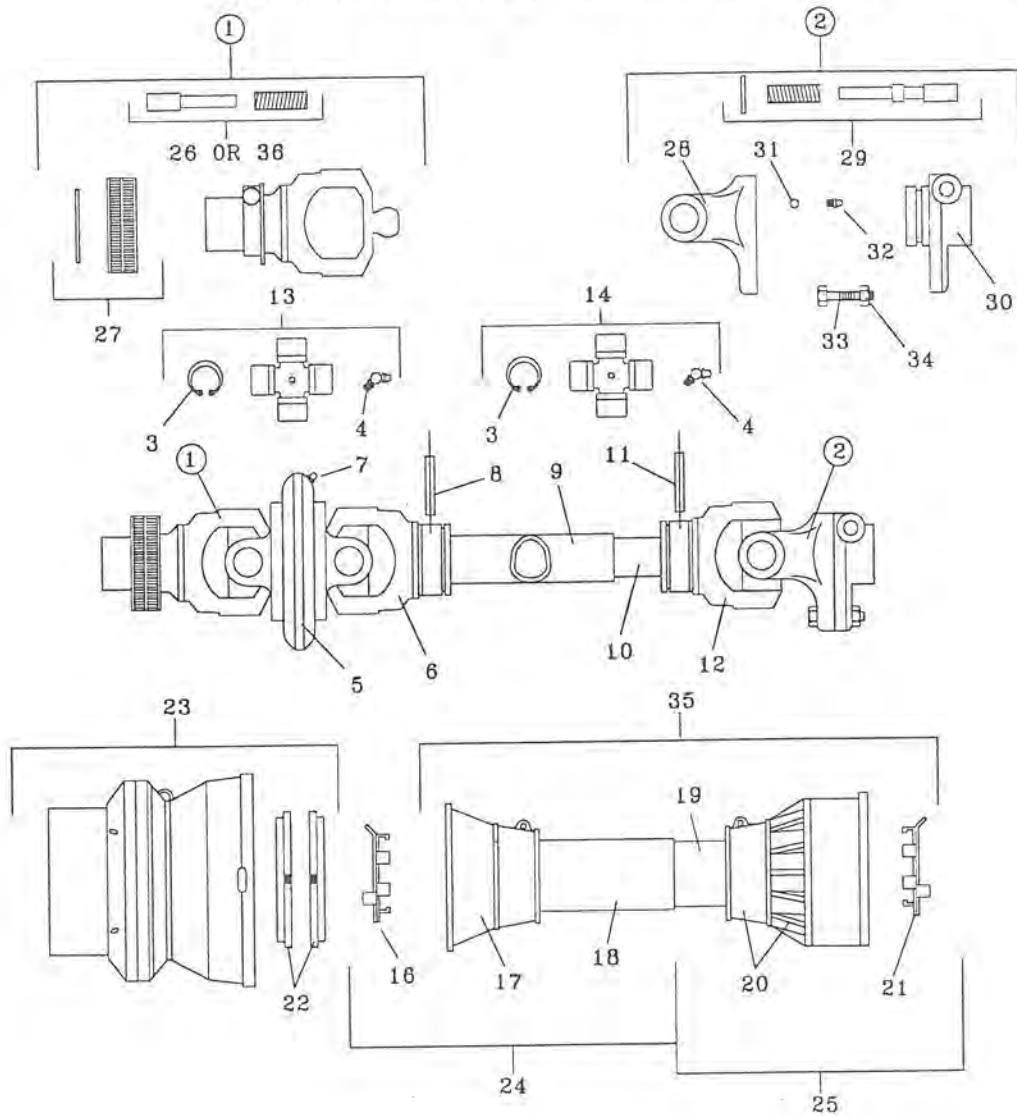
<u>Keys</u>	<u>Parts Number</u>	<u>Description</u>	<u>Qty</u>
1	330-20-01-000	Float Arm Assy	1
2	330-20-02-000	Indicator Arm Assy	1
3	330-20-03-000	Access Tube Assy.	1
4	330-20-04-000	Cover Plate Assy	1
5	330-20-01-551	Float Arm	1
6	330-93-30-378	Float Straps	2
7	330-93-00-375	Float	1
8	330-20-04-562	Bronze Bearing Holder	1
9	330-20-02-553	Indicator Arm Hub	1
10	330-20-02-554	Indicator Arm	1
11	330-20-03-556	Access Tube	1
12	330-20-03-560	Access Tube Flange	1
13	330-20-00-557	Cover Plate	1
14	R20865	1/2 x 5/8 x 1/16" O Ring	1
15	R09529	"Full" Decal	1
16	R09530	"Empty" Decal	1
17	R07974	External Retaining Ring	2
18	R21173	1/2 x 5/8 x 1/2" Bronze Bushing	3
19	R08241	3/16 x 1 Stainless Steel Roll Pin	1
20	R07675	3/8 X 1 1/4" Hex Bolt	6
21	R07783	3/8" Hex Nut	6
22	R07803	3/8" Lock Washer	6
23	R08207	5/32 X 1 1/2" Stainless Steel Cotter Pin	1



BONDIOLI AND PAVESI PTO

C/W 80° CV JOINT

R21592-540 RPM 1 3/8" 6 TOOTH SPLINE
 R21593-1000 RPM 1 3/8" 21 TOOTH SPLINE
 R21585-1000 RPM 1 3/4" 20 TOOTH SPLINE



80 DEG. BONDIOLI AND PAVESI CV PTO - R21592 540 RPM 6 TOOTH

- R21593 1000 RPM 21 TOOTH

- R21585 1000 RPM 20 TOOTH

<u>Keys</u>	<u>Mfg #</u>	<u>Part #</u>	<u>Description</u>	<u>Qty</u>
1		R21712	1 3/4" - 20 T Yoke	1
	573040375	R21681	Yoke w/ Bridge 540 RPM	1
	573043775	R21680	Yoke w/ Bridge 1000 RPM	
2	606404001	R21473	Torque Lim SB 4/4	1*
3	338009000	R21613	Circlip	8
4	348004000	R21655	Grease Nipple	3
5	511040051	R21685	Central Body	1
6	215046854	R21686	Yoke	1
7	348017000	R21687	Grease Nipple	1
8	341038000	R21475	Flexible Pin	1*
9	225310630	R21689	Cardan Tube	1
10	245100630	R21690	Cardan Tube CM	1
11	341048000	R21476	Flexible Pin	1*
12	204046852	R21472	Inner Tube Yoke	1*
13	412040012	R21682	Cross Journal Assy	2
14	41204	R21693	Cross Journal Assy	1
15	338017000	R21694	Circlip	4
16	255040005	R21696	O. Bearing 3-4	1*
17	254040024	R21697	O. Basic Cones N3-4	1
18	236680577	R21698	CM Safety Tube	1
19	236670577	R21699	CM Safety Tube	1
20	517040061	R21700	I. Cone Set N3-4	1
21	255040006	R21701	I. Bearing 3-4	1*
22	255040351	R21702	Ring Nut Dowels	1
23	517048001	R21703	Complete Shell	1
24	5NE4078W1654	R21709	Half Safety Guard	1
25	5NI40788NN	R21710	Half Safety Guard	1
26	403000001	R21669	Complete Push Button	1~
27	240080061	R21670	Hub	1~
28	213040020	R21704	Shear Yoke	1
29	401000001	R21451	Complete Push Button	1~*
30	513070324	R21706	Hub c/w Quick Disconnect	1
31	362002000	R21705	1/4" Ball	23
32	348012000	R21672	Grease Nipple	1
33	432000047	R08251	M8 1.25 x 45 Bolt	1
34		R08252	M8 1.25 x Lock Nut	1
35	5N04078W1654	R21711	Safety Guard	1
36	403000011	R21735	Push Pin for 1 3/4 - 20 T Turnlock	

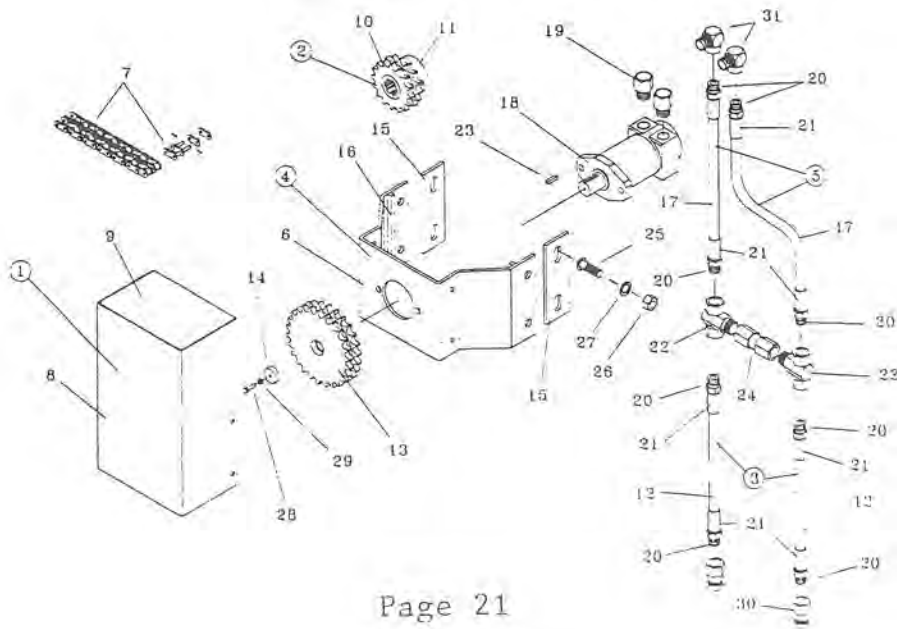
* Same as 70 Deg. CV. PTO

~ Same as K31

364-48-00-000 MODEL "E" HYDRAULIC DRIVE KIT

<u>Keys</u>	<u>Parts Number</u>	<u>Description</u>	<u>Qty</u>
1	364-48-22-000	Guard Assembly	1
2	364-48-23-000	Fan Shaft Sprocket Assy	1
3	364-48-24-000	Hydraulic Hose Assy - To Tractor	2
4	364-48-31-000	Motor Mount Assembly	1
5	364-48-32-000	Hydraulic Hose Assy - Motor To Chk Valve	2
6	364-48-31-157	Hydraulic Motor Mount	1
7	364-48-00-158	#60 Double Roller Chain w/ Conn	1
8	364-48-22-159	Guard Body	1
9	364-48-22-160	Guard Cap	1
10	364-48-23-161	Fan Shaft Sprocket #D60B16	1
11	364-48-23-162	Spline Adaptor	1
12	364-48-24-163	3/4" Hydraulic Hose	2
13	364-48-00-166	Motor Sprocket #D60B26	1
14	364-48-00-167	Plug	1
15	364-48-00-185	Motor Mount Bracket	2
16	364-48-31-186	Guide Bar	2
17	364-48-32-187	3/4" Hydraulic Hose	2
18	R21346	110 Series Nichols - Gray Hyd Motor	1
19	R20815	7/8-14 M x 3/4 Adaptor	2
20	R21241	3/4" Male Solid Stem	8
21	R20824	3/4" Ferrule	8
22	R21393	3/4" NPT Hyd Swivel Tee	2
23	R11114	Key	1
24	R21202	3/4" Npt In Line Check Valve	1
25	R07753	5/8 x 1 1/2 Carriage Bolt	4
26	R07786	5/8 Hex Nut	4
27	R07806	5/8 Lock Washer	4
28	R07603	1/4 X 1 1/2 Hex Bolt	1
29	R07801	1/4" Lock Washer	1
30	R21338	3/4" Pioneer Tip	2
31	R21368	3/4" Hydraulic Street Elbow	2

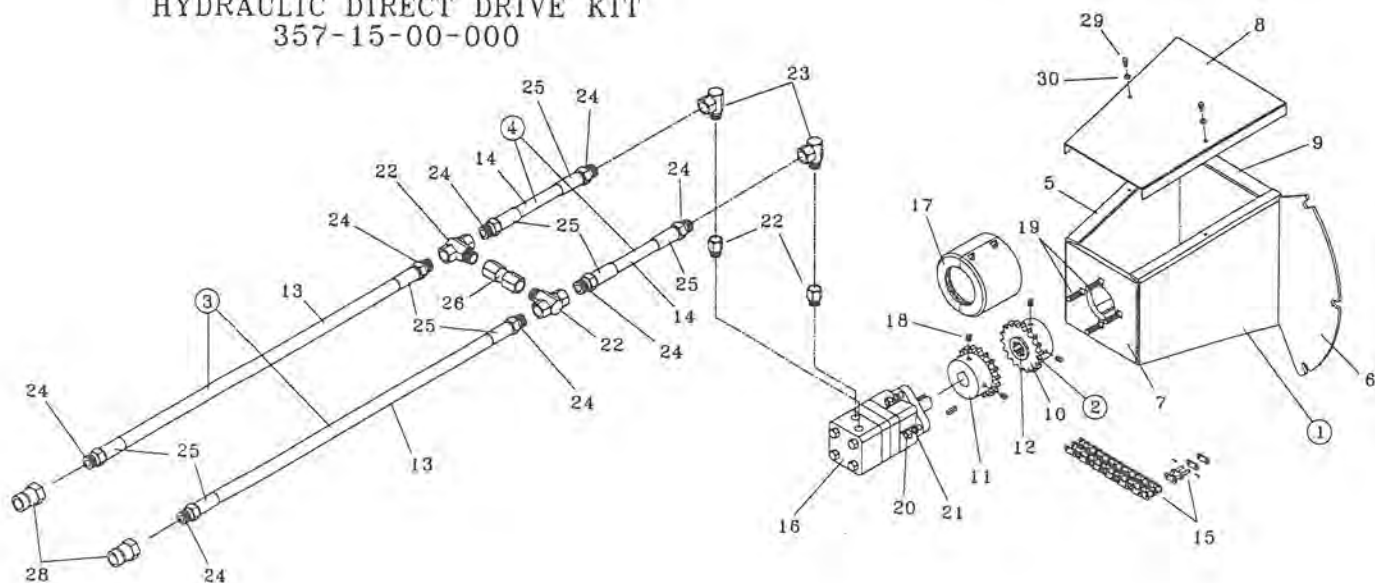
MODEL "E" HYDRAULIC
DRIVE KIT
364-48-00-000



DIRECT HYDRAULIC DRIVE KIT 357-15-00-000

<u>Keys</u>	<u>Parts Number</u>	<u>Description</u>	<u>Qty</u>
1	384-02-01-000	Direct Drive Mount Plate Assembly	1
2	384-02-02-000	#60-18 Sprocket w/6 T Spline Assembly	1
3	364-48-24-000	Hydraulic Hose Assembly	2
4	364-48-32-000	Hydraulic Hose Assembly	2
5	384-02-01-002	R.H. Extension Plate	1
6	384-02-01-003	L.H. Extension Plate	1
7	384-02-01-004	Motor Mount Plate	1
8	384-02-00-005	Guard	1
9	384-02-01-012	Reinforcing Strap	2
10	384-02-02-006	60-18 Sprocket For 6 T. Spline	1
11	384-02-00-007	60-18 Sprocket For Hyd. Motor	1
12	364-48-23-162	Spline Adaptor	1
13	364-48-24-163	3/4" Hydraulic Hose	2
14	364-48-32-187	3/4" Hydraulic Hose	2
15	R20883	#60 Coupling Chain w/ Conn. Link	1
16	R21422	Msl60 Hydraulic Motor W/ Key	1
17	R20617	#60-18 Coupling Cover	1
18	R07911	3/8 x 3/4 Set Screw	4
19	R07744	1/2 x 2 Carriage Bolt	4
20	R07785	1/2" Hex Nut	4
21	R07805	1/2" Lock Washer	4
22	R20815	7/8 SAE x 3/4" NPT Straight Swivel	2
23	R21332	3/4" NPT 90 Deg. Swivel Adaptor	2
24	R21241	3/4" Male Stem	8
25	R20824	3/4" Ferrule	8
26	R21202	3/4" NPT In Line Check Valve	1
27	R21393	3/4" NPT Hydraulic Swivel Tee	2
28	R21338	3/4" Pioneer Fitting	2
29	R07698	1/4" x 1/2" Hex Bolt	2
30	R07801	1/4" Lock Washer	2

HYDRAULIC DIRECT DRIVE KIT 357-15-00-000



HUSKY FARM EQUIPMENT LIMITED

ALMA, ON N0B 1A0

PHONE: (519) 846 - 5329

FAX: (519) 846 - 9378

5 YEAR AXLE WARRANTY

Husky Farm Equipment Limited will guarantee for 5 years from date of invoice, all Manure Spreader undercarriages and axle assemblies, if used on a farm for farm purposes.

Husky will replace free of charge:

1. Any part of the axle which should break or collapse through overload.
2. Any spindles or hub which should break.
3. Any wheel and rim assemblies which should fail.

Exempt from extended warranty are:

1. Bearings and tires which are covered under normal warranty and do require maintenance to avoid failure.
2. Spindles damaged through bearing failure.
3. Wheel or rim damage resulting from owner failing to keep wheel bolts tight.
4. 23000 Litre (6000 US Gal) is not covered because it is custom built.

To qualify for extended warranty, damaged parts must be returned to Husky Farm Equipment Limited, prepaid, along with serial number and copy of the original invoice.

All parts supplied by Husky on warranty, will be shipped freight collect. Extended warranty covers damaged parts only and does not cause liability on Husky for any damage resulting from such failure.

TEN YEAR WARRANTY AGAINST RUSTOUT

Husky Farm Equipment provides a 10 year warranty against premature perforation (rustout) of any liquid manure spreader manufactured later than Jan. 1987. Providing the manure spreader is used for manure or sludge and not for chemical products.

Extended warranty is pro rated and will be paid only through the crediting off of the then current list price of a replacement manure spreader that portion of the warranty not used up in time.

Warranty will be effective toward replacing spreader only and no cash payments will be made. It will be understood that the original equipment to be replaced will then become the property of Husky Farm Equipment.

This extended warranty will be effective through Husky Farm Equipment factory or factory outlet only, copy of the original invoice to be supplied along with the serial number. This warranty will not be effective for commercial custom haulers or to owners other than the original.

Transportation to and from the factory to be paid for by the owner of the equipment and not by Husky Farm Equipment.