

Date Purchased _____ Machine Serial No. _____

Size of Spreader _____ Options _____

The key number system in this parts book is arranged as follows:

- ⊙ - Key numbers with two circles denotes main assemblies.
- - Key numbers with one circle are individual parts

Please order parts by number



18000L ELITE SPREADER ▪ 358-00-00-000

OPERATING INSTRUCTIONS:

1. Heed all warnings.
2. Minimum HP requirements to safely operate on level terrain, on hilly terrain HP should be increased.

4500L	70 HP
7000L	85 HP
9000L	95 HP
12000L	110 HP
14000L	130 HP
15000L	140 HP
18000L	160 HP
23000L	200 HP
28000L	250 HP

3. If machine is equipped with hydraulic brakes that are operated from the tractor hydraulics, they will not work should the tractor motor stop. Inspect brakes before each use. Brakes must be bled before initial use unless installed at factory. When releasing brakes the tractor hydraulic lever must be put in the opposing position to release pressure. Do not put in float position they will not release.
4. Tractor PTO spline must be approximately 14" (355mm) from end of compressed PTO for proper adjustment
5. Hitch tanker to tractor with minimum 1 1/8" (29mm) hardened hitch pin with a safety lock. Use 12,000 Lbs safety chain from spreader to tractor.
6. Do not use tongue stand to support loaded spreader. Put jack in storage position before using.
7. When hooking PTO to tractor make sure motor is stopped. Make sure QD (Quick Disconnect) safety locking pin is in locked position before using.
8. Clean off hose ends before plugging into tractor hydraulics. If spreader is equipped with hydraulic drive on spreading attachment, make sure tractor has sufficient oil flow and pressure to maintain satisfactory spread pattern, if not use another tractor.

OPERATING INSTRUCTIONS continued:

9. After using spreader in freezing conditions make sure impeller housing is drained.
10. Wash tank inside and out each time work is finished. This will increase the life of the tank by many years. See item 6 of Safety instructions
11. Do not drive on public roads after dusk unless equipped with lights required by Department of Transportation in your area.
12. Remove wheels annually and grease wheel bearings.
13. Because manure smells, many farmers have made unfriendly neighbours. If in a residential area a manure injector is a recommended option to bury the smell.
14. Much of the fertilizer value of manure is lost when exposed to air. Getting the manure covered quickly is a very important part of spreading manure.
15. If rustproof coating on interior shows signs of deterioration, have interior repainted. This can be done with a roller or brush. This helps to increase the life of your spreader. It is a valuable maintenance procedure.

SAFETY INSTRUCTIONS:

Do not operate this machine until you fully understand the safe operating practices.

1. Make sure all moving parts are shielded to prevent coming in contact with loose clothing.
2. Keep children clear; do not let children or any person(s) ride the spreader at anytime.
3. Do not support loaded spreader on tongue jack.
4. Keep tire pressure to recommended pressure at all times. Recommended tire pressure being:

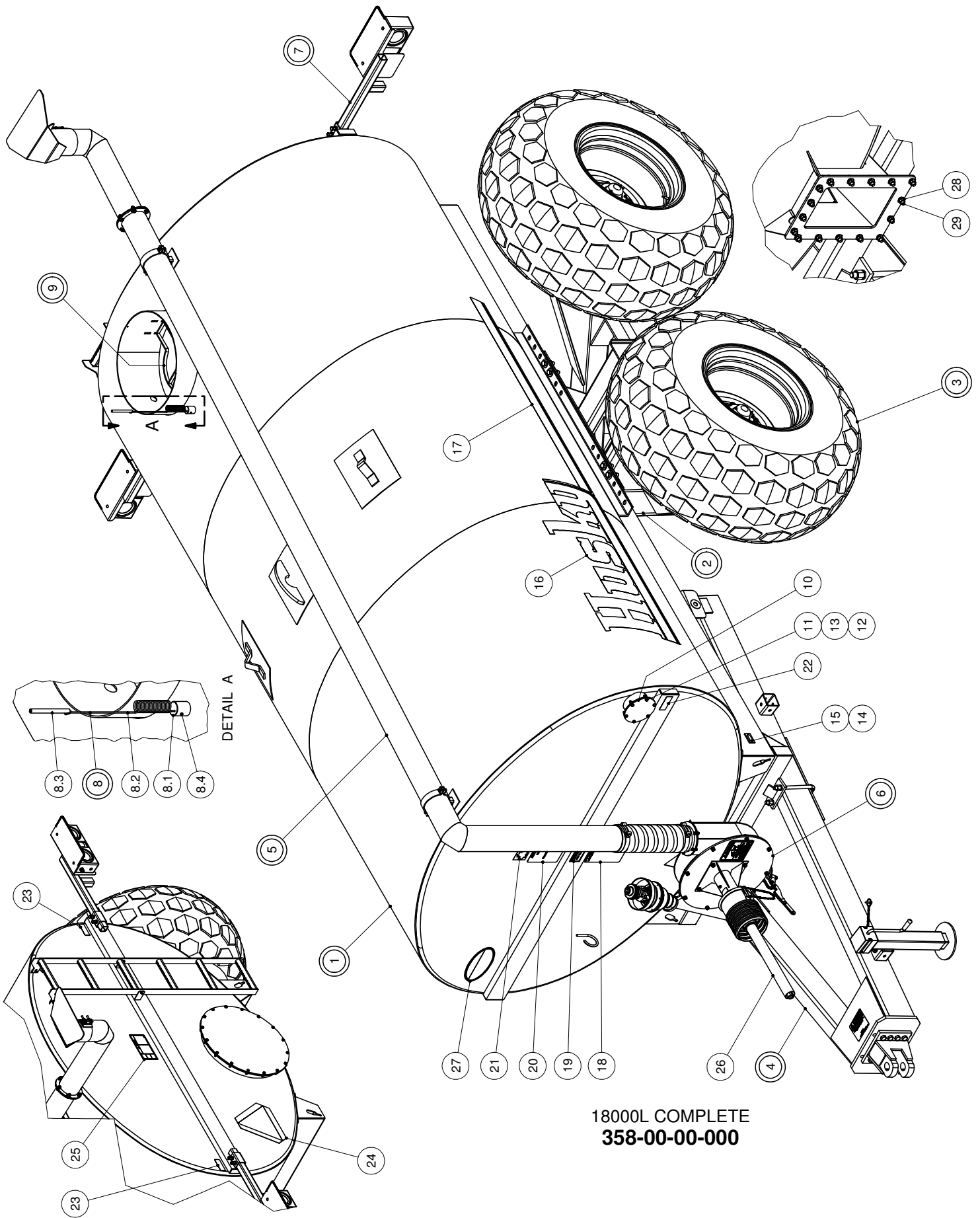
Size	Description	PSI	KPA
40 x 14	Airplane Tires	55	379
44 x 16	Airplane Tires	55	379
47 x 18 x 18	Airplane Tires	55	379
50 x 20 x 20	Airplane Tires	55	379
16.5L x 16.1	Implement Tires	35	241
21.5L x 16.1	Implement Tires	35	241
18.4L x 26	Turf Tires	30	207
23.1L x 26	Turf Tires	24	166
28L x 26	Turf Tires	24	166
30.5L x 32	Turf Tires	35-40	241
35.5L x 32	20 ply Turf Tires	35	241
18L x 22.5	Truck Tires	65	448
23.5L x 25	Loader Dozer Tires	55	379

5. Keep wheel bolts torqued to the recommended torque at all times. (Check Daily)

Wheel Bolt Size	Ft/Lbs Torque (Dry)	Ft/Lbs. - Oiled	Meter/Kg - Torque Dry	Meter/Kg - Oiled
9/16 – 18 NF GR. 5	120	90	16.59	12.44
5/8 – 18 NF GR. 8	240	180	33.18	24.89
3/4 – 16 NF GR. 8	420	310	58.07	42.86

6. Never enter a tanker without special breathing equipment to supply oxygen. Manure gases can kill instantly. One breath of Hydrogen Sulphide can kill.
7. When repairing hydraulic hoses, always relieve pressure in hose. Always wear safety glasses while working on spreader.
8. Caution – disc brakes will not release until valve lever is held momentarily in opposite position. This will relieve pressure in brake line. Do not put in float position, they will not release. (Rule does not apply to Husky Manure Spreaders equipped with a Knott Brake System)

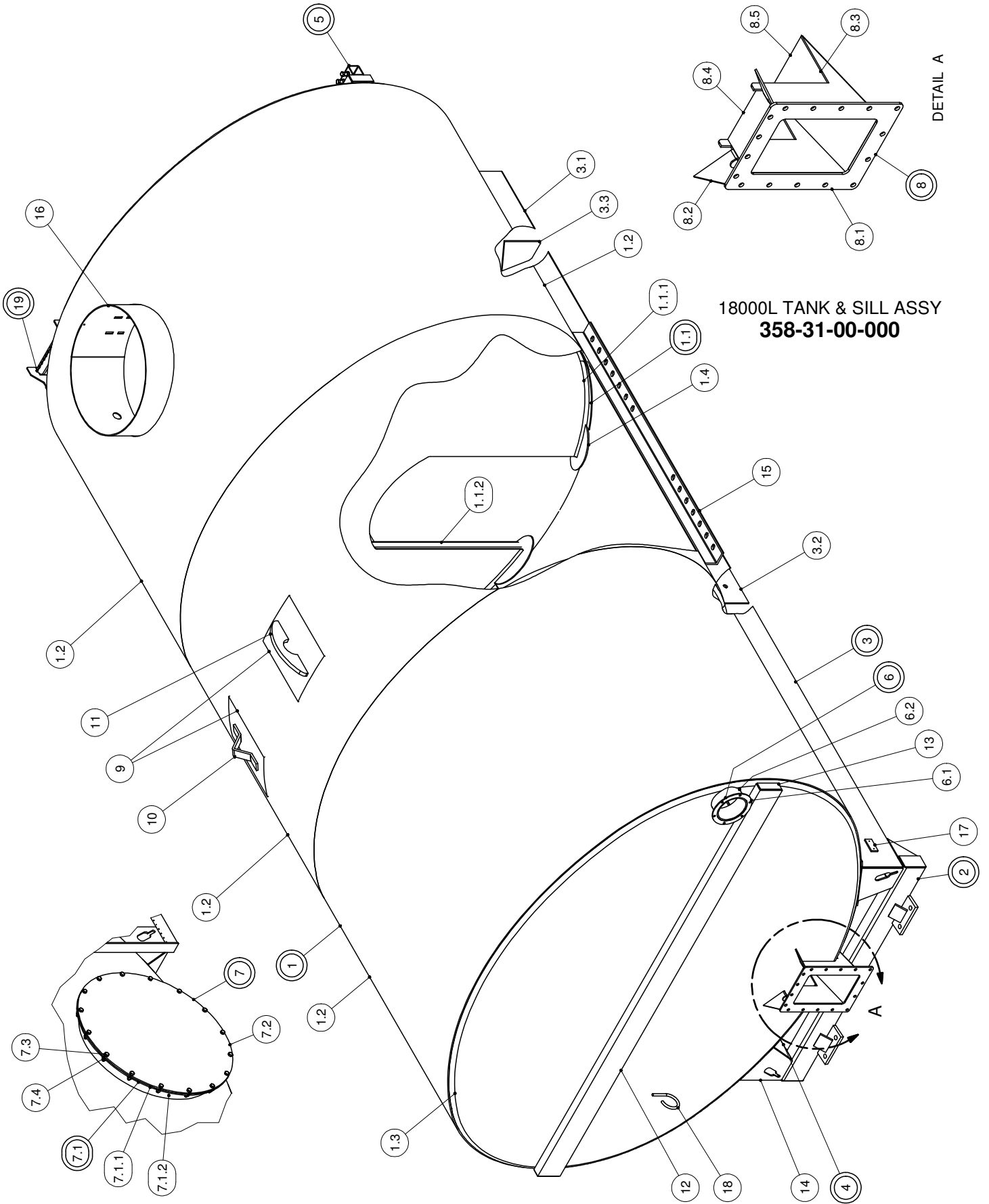
18000L TANK COMPLETE



18000L TANK COMPLETE

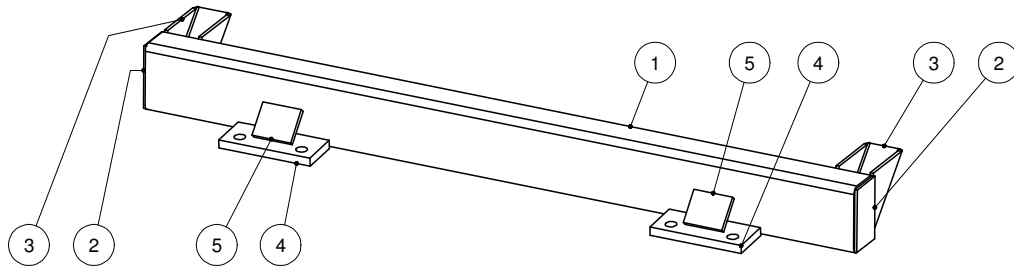
PARTS LIST			
ITEM	PART NUMBER	DESCRIPTION	QTY
1	358-31-00-000	18000L TANK & SILL ASSY	1
2	358-17-00-000	18000L AXLE KIT FOR 28L & 30.5 TIRES	1
3	330-04-00-000	28L x 26 TIRE & WHEEL ASSY	4
4	357-29-00-000	TONGUE & HITCH KIT - EXTENDED	1
5	358-12-00-000	6" DISCHARGE PIPE KIT- 18000L STD	1
6	364-56-00-000	1000 FAN & HOUSING KIT	1
7	357-30-00-000	TAIL LIGHT KIT	1
8	340-62-00-000	INDICATOR KIT	1
8.1	340-00-00-536	FLAG SPRING HOLDER	1
8.2	R08037	SPRING FOR SPREADER FLAG	1
8.3	340-62-00-553	INDICATOR HOSE	1
8.4	R07926	5/16-18 x 1/4" SET SCREW	1
9	357-63-00-000	SAFETY BAR ASSY	1
10	330-00-00-559	ACCESS TUBE COVER PLATE	1
11	R07675	3/8 x 1 1/4" HEX BOLT	6
12	R07783	3/8 HEX NUT	6
13	R07803	3/8 LOCK WASHER	6
14	R09071	SERIAL NUMBER PLATE	1
15	R08152	6 x 1/4 PAN HD SOCKET SCREW	2
16	R09510	"HUSKY" DECAL	2
17	R09511	ACCENT STRIP	2
18	R09783	"CAUTION" DECAL	1
19	R09512	CAPACITY DECAL	1
20	R09730	TORQUE, TIRE PRESSURE DECAL	1
21	R09509	"MADE IN CANADA" DECAL - LARGE	1
22	R10097	AMBER REFLECTOR	1
23	R10096	RED REFLECTOR	2
24	R09501	SLOW MOVING VEHICLE DECAL	1
25	R10334	TOXIC GAS PICTORAL DECAL	1
26	R21582	540 RPM PTO	1
27	R10335	MANURE SPILL DECAL	1
28	R07879	7/16-14 UNC FLANGE NUT	16
29	R07671	7/16 x 1 1/4 UNC HEX BOLT	16

18000L TANK ASSY



18000L TANK ASSY

PARTS LIST				PARTS LIST			
ITEM	PART NUMBER	DESCRIPTION	QTY	ITEM	PART NUMBER	DESCRIPTION	QTY
1	340-01-01-000	18000 L TANK ASSY	1	7.2	384-40-00-492	ACCESS HOLE COVER PLATE	1
1.1	340-01-08-000	18000L BAFFLE ASSY	2	7.3	R07671	7/16 x 1 1/4 UNC HEX BOLT	16
1.1.1	340-01-01-302	FLANGED TANK BAFFLE	1	7.4	R07879	7/16-14 UNC FLANGE NUT	16
1.1.2	340-01-08-561	18000L BAFFLE SUPPORT TUBE	2	8	364-82-00-000	FLANGED TANK OUTLET	1
1.2	340-01-01-301	TANK SHELL	3	8.1	364-81-02-393	HOUSING FLANGE	1
1.3	340-01-01-300	FLANGED TANK END	2	8.2	364-82-00-395	LH OUTLET SIDE PC	1
1.4	340-01-01-559	OVAL REINFORCING PLATE	4	8.3	364-82-00-396	RH OUTLET SIDE PC	1
2	357-60-00-000	CROSS MEMBER ASSY	1	8.4	364-01-03-104	OUTLET TOP PC	1
3	340-01-02-000	R.H. SILL ASSY	1	8.5	364-01-03-105	OUTLET BOTTOM PC	1
3.1	340-01-02-303	18000 L SILL	1	9	340-01-00-546	LIFT HOOK REINFORCING PLATE	3
3.2	340-01-02-304	SILL REINFORCING	1	10	300-01-00-012	TANK LIFT HOOK	2
3.3	340-01-02-305	SILL STIFFENERS	4	11	340-01-00-555	CENTER LIFT HOOK	1
4	340-01-03-000	L.H. SILL ASSY	1	12	340-01-06-312	TANK END STIFFENER	2
5	357-30-03-000	MOUNT BRKT ASSY	2	13	340-01-06-464	TANK STIFFENER CAP	4
6	330-20-03-000	ACCESS TUBE ASSY	1	14	340-01-06-311	SILL CAP	4
6.1	330-20-03-560	ACCESS TUBE FLANGE	1	15	364-02-00-280	AXLE ADJUSTMENT ANGLE	2
6.2	330-20-03-556	ACCESS TUBE	1	16	364-02-00-006	24" MANHOLE	1
7	384-40-00-000	ACCESS HOLE & COVER PLATE KIT	1	17	340-01-00-498	SERIAL NO. BACK PLATE	1
7.1	384-40-01-000	ACCESS RING ASSY	1	18	315-30-00-108	HYD. HOSE HOOK	1
7.1.1	384-40-01-490	ACCESS HOLE FLANGE	1	19	364-95-00-000	LADDER ASSY	1
7.1.2	384-40-01-491	ACCESS HOLE RING	1				

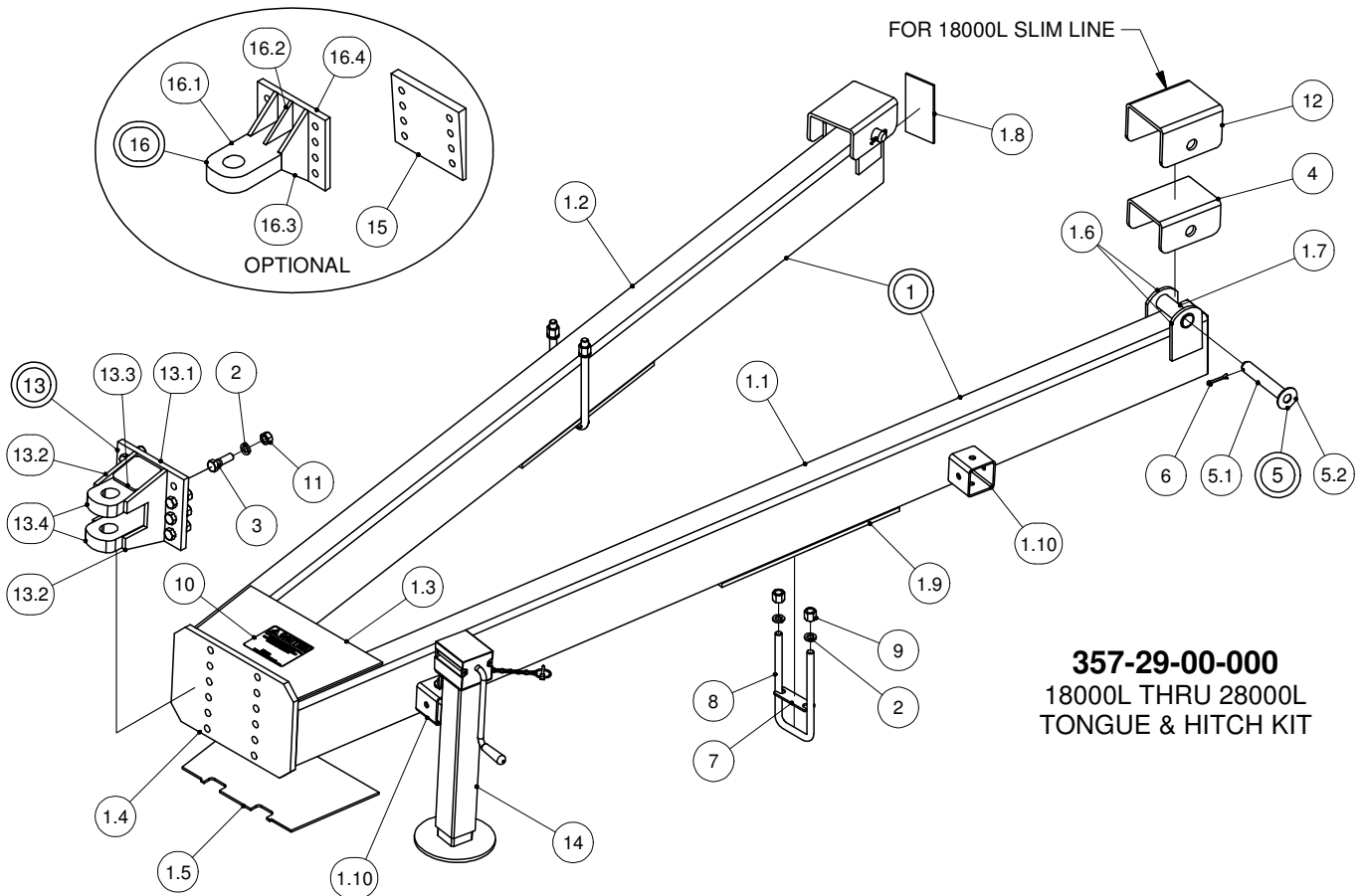


**CROSS MEMBER ASSY
357-60-00-000**

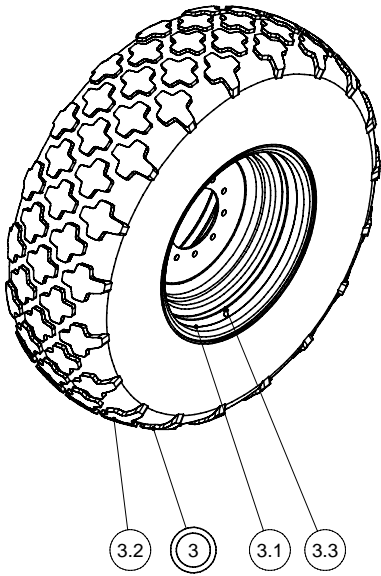
PARTS LIST			
ITEM	PART NUMBER	DESCRIPTION	QTY
1	357-60-00-290	CROSS MEMBER	1
2	357-60-00-291	END CAP	2
3	357-60-00-292	DOUBLE GUSSET	2
4	357-28-00-168	TONGUE STRAP	2
5	364-02-17-123	TONGUE STRAP GUSSET	2

18000L THRU 28000L TONGUE & HITCH KIT

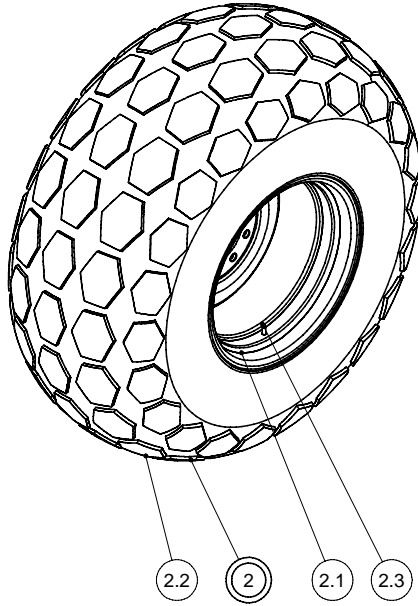
PARTS LIST				PARTS LIST			
ITEM	PART NUMBER	DESCRIPTION	QTY	ITEM	PART NUMBER	DESCRIPTION	QTY
1	357-27-00-000	TONGUE ASSY	1	7	364-00-00-131	U - BOLT SPACER	2
1.1	357-27-00-165	LH TONGUE TUBE	1	8	R08172	3/4" UNF x 10" - "U" BOLT	2
1.2	357-27-00-164	RH TONGUE TUBE	1	9	R07820	3/4" FED. HIGH HEX NUT	4
1.3	357-27-00-166	UPPER TONGUE TUBE GUSSET	1	10	R09672	CAUTION PTO LENGTH DECAL	1
1.4	358-42-00-137	HITCH BOLT PLATE	1	11	R07787	3/4 - 10 UNC HEX NUT	8
1.5	357-27-00-310	LOWER TONGUE TUBE GUSSET	1	12	394-03-00-014	TONGUE "U" PC	2
1.6	315-36-00-146	TONGUE SIDE PC	4	13	408-04-00-000	HD CLEVIS HITCH ASSY-1 3/4" HOLE	1
1.7	315-36-00-145	TONGUE BUSHING	2	13.1	358-43-00-139	HITCH BACK PLATE	1
1.8	315-36-00-147	TONGUE TUBE COVER	2	13.2	358-43-00-141	HITCH SIDE GUSSET	2
1.9	357-00-00-129	TONGUE REINFORCING PLATE	2	13.3	358-43-00-142	HITCH UPPER GUSSET	2
1.10	395-07-01-059	TONGUE JACK OUTER BRKT	2	13.4	408-04-00-011	HITCH PLATE	2
2	R07807	3/4" LOCK WASHER	12	14	395-14-00-000	8000 LB TONGUE JACK W/SQ MT BRKT	1
3	R07655	3/4 x 2 1/2 HEX BOLT	8	15	358-00-00-143	WEDGE PLATE	1
4	315-31-00-115	TONGUE "U" PC	2	16	357-57-00-000	HD SINGLE POINT HITCH ASSY	1
5	315-39-00-000	LOCK PIN ASSY	2	16.1	357-57-00-285	SINGLE POINT HITCH	1
5.1	315-39-00-155	TONGUE LOCK PIN	1	16.2	358-44-00-145	TOP GUSSET	2
5.2	R07828	1" FLAT WASHER	1	16.3	358-44-00-144	SIDE GUSSET	2
6	R08016	1/4 x 2 COTTER PIN	2	16.4	358-44-00-139	HITCH BACK PLATE	1



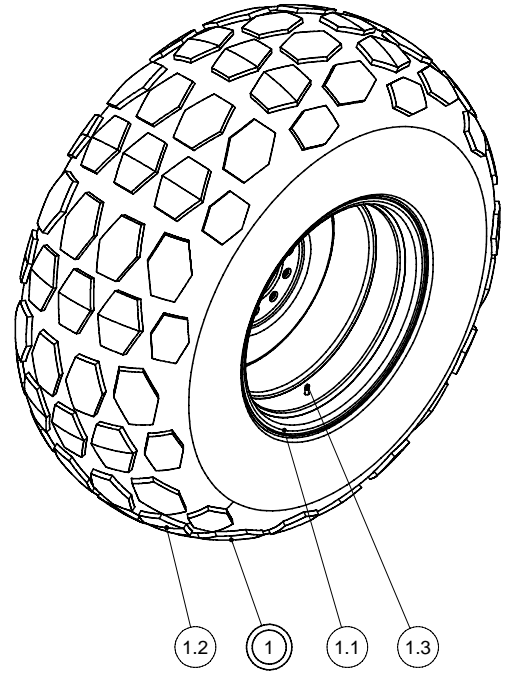
18000L TIRES



18.4L x 26 TIRE & WHEEL ASSY
340-68-00-000



28L x 26 TIRE & WHEEL ASSY
330-04-00-000



30.5L x 32 TIRE & WHEEL ASSY
358-89-00-000

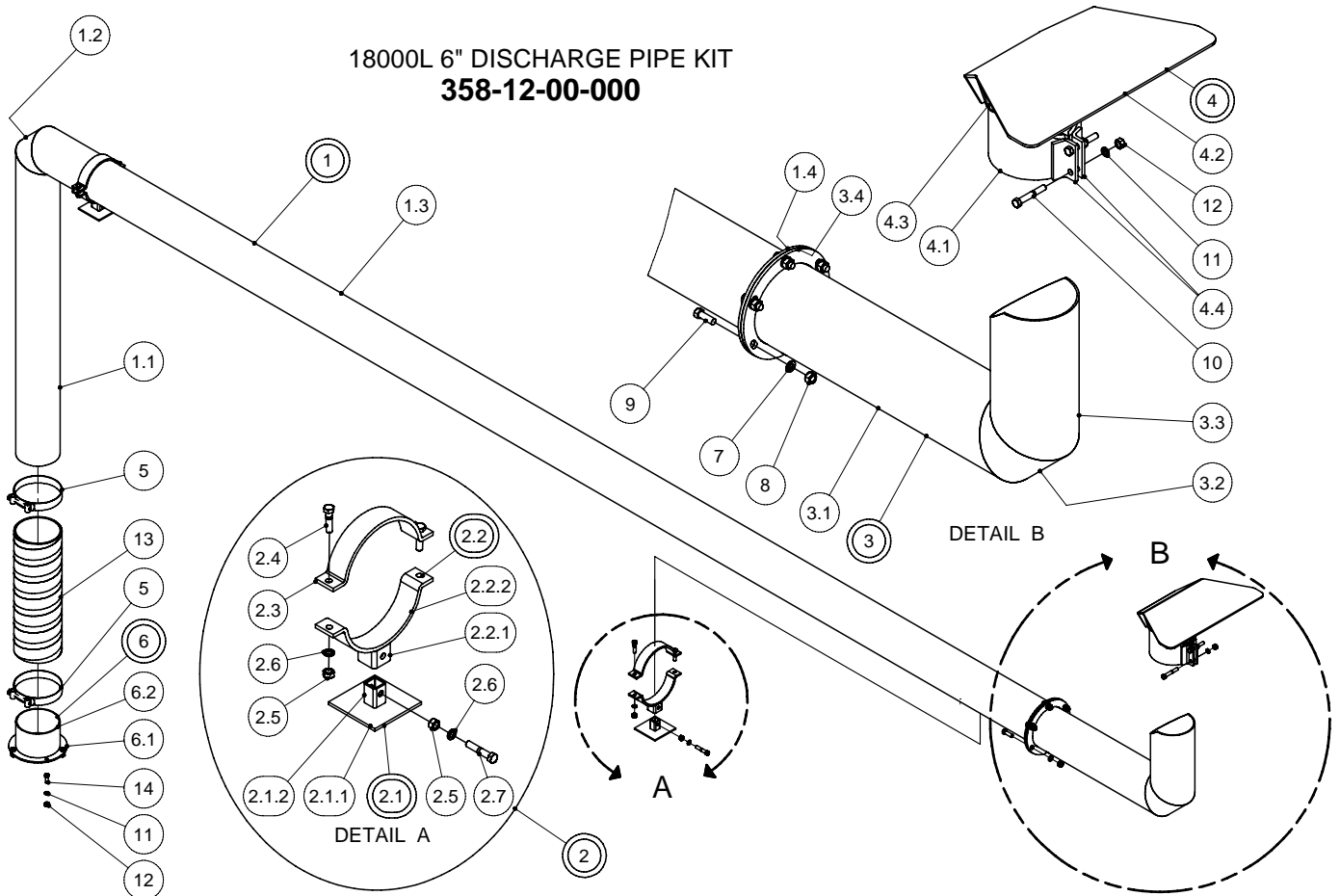
PARTS LIST			
ITEM	PART NUMBER	DESCRIPTION	QTY
1	358-89-00-000	30.5L x 32 TIRE & WHEEL ASSY - 16000LB	1
1.1	R22077	30.5 - 16000lb RIM	1
1.2	R22070	30.5L x 32 R3 14 PLY FIRESTONE or 16 PLY GOODYEAR	1
1.3	R20161	VALVE STEM	1
2	330-04-00-000	28L x 26 TIRE & WHEEL ASSY	1
2.1	R20040	28L x 26 - 16000lb RIM	1
2.2	R20015	28L x 26 TURF TIRE	1
2.3	R20161	VALVE STEM	1
3	340-68-00-000	18.4 X 26 TIRE & WHEEL ASSY	1
3.1	R20075	16" x 26" 10 BOLT WHEEL	1
3.2	R20100	18.4" x 26" 10 PLY TBLS TIRE	1
3.3	R20161	VALVE STEM	1

18000L AXLE KIT

PARTS LIST				PARTS LIST			
ITEM	PART NUMBER	DESCRIPTION	QTY	ITEM	PART NUMBER	DESCRIPTION	QTY
1	358-17-03-000	BASE FRAME ASSY	1	3.4	358-17-06-512	FRONT TANDEM ARM	1
1.1	330-69-01-000	SILL "Z" PLATE ASSY	2	3.5	358-17-06-513	REAR TANDEM ARM	1
1.1.1	358-85-00-253	SILL "Z" PLATE	1	3.6	358-17-06-514	REINFORCING PLATE	2
1.1.2	330-69-00-550	GUSSET	2	3.7	358-17-06-515	TIE PLATE REAR	1
1.2	358-17-04-000	OUTER SLEEVE ASSY	2	3.8	358-17-06-516	TIE PLATE-FRONT	1
1.2.1	358-17-04-486	CENTER SPACER BAR	1	3.9	358-17-06-517	REAR ARM GUSSET	2
1.2.2	358-17-04-488	CENTER SLEEVE	1	3.10	358-17-06-518	REAR ARM CAP	1
1.2.3	358-17-04-487	LONG SPACER CHANNEL	1	3.11	358-17-06-519	FRONT ARM GUSSET	2
1.3	358-09-02-000	OUTER SLEEVE ASSY	1	3.12	358-17-06-520	FRONT ARM CAP	1
1.3.1	358-85-00-251	SPACER BAR	1	3.13	358-17-06-521	CORNER GUSSET	2
1.3.2	340-07-08-323	5" CHANNEL @ 9LB	1	4	358-17-08-000	RH TANDEM SIDE ASSY	1
1.3.3	340-07-08-322	STATIONARY SLEEVE	1	4.1	358-83-01-235	WALKER SLEEVE	1
1.4	358-17-03-484	CROSS AXLE SUPPORT	1	4.2	358-17-06-511	CENTER CONNECTOR TUBE	1
1.5	340-07-00-330	DOUBLE GUSSET	4	4.3	358-17-06-512	FRONT TANDEM ARM	1
1.6	358-03-00-355	GUSSET	4	4.4	358-17-06-513	REAR TANDEM ARM	1
1.7	358-17-03-501	HANGER TUBE	2	4.5	358-17-06-514	REINFORCING PLATE	2
1.8	358-17-03-485	HANGER BRKT	2	4.6	358-17-06-515	TIE PLATE REAR	1
1.9	358-17-03-489	FILLER PLATE	2	4.7	358-17-06-516	TIE PLATE-FRONT	1
1.10	358-17-03-500	"U" CHANNEL	2	4.8	358-17-09-000	RH WALKING BEAM ASSY	1
1.11	358-17-03-509	BOTTOM CAP	2	4.8.1	358-17-07-510	WALKING BEAM	1
2	358-11-00-000	16000LB DUCTILE HUB KIT	4	4.8.2	358-17-02-483	VERTICAL SPINDLE TUBE	2
2.1	358-11-00-259	16000LB DUCTILE HUB W/CUPS	1	4.8.3	358-83-01-230	SPINDLE SLEEVE	2
2.1.1	R22049	HUB,C,BT,N,W,358-11-00-259	1	4.8.4	395-01-01-004	REINFORCING PLATE	2
2.1.2	R20096	3/4" WHEEL BOLTS	10	4.8.5	394-01-03-056	FILLER BAR	4
2.1.3	R20152	3/4" SPHERICAL WASHER	10	4.8.6	395-01-01-005	TUBE CAPS	2
2.1.4	R20088	47620 INNER CUP	1	4.8.7	358-17-02-498	SPINDLE SLEEVE GUSSET	4
2.1.5	R20089	39520 OUTER CUP	1	4.8.8	358-17-02-502	REINFORCING CAP	2
2.1.6	R07820	3/4" FED. HIGH HEX NUT	10	4.8.9	358-83-01-235	WALKER SLEEVE	1
2.2	R20084	DUST CAP GASKET. 10 BOLT	1	4.8.10	358-01-00-401	"FRONT" PLATE	1
2.3	R07690	5/16 x 5/8 HEX BOLT	4	4.9	358-17-06-517	REAR ARM GUSSET	2
2.4	R20083	CR-38730 HUB SEAL	1	4.10	358-17-06-518	REAR ARM CAP	1
2.5	R20086	476871 3 1/4" INNER CONE	1	4.11	358-17-06-519	FRONT ARM GUSSET	2
2.6	R20087	39585 2 1/2" OUTER CONE	1	4.12	358-17-06-520	FRONT ARM CAP	1
2.7	R20093	DUST CAP - 16000 LB HUB	1	4.13	358-17-06-521	CORNER GUSSET	2
3	358-17-06-000	LH TANDEM SIDE ASSY	1	5	358-17-05-000	MAIN AXLE TUBE ASSY	1
3.1	358-17-07-000	LH WALKING BEAM ASSY	1	5.1	340-63-00-538	STOP RING	1
3.1.1	358-17-07-510	WALKING BEAM	1	5.2	358-17-05-499	MAIN AXLE TUBE	1
3.1.2	358-17-02-483	VERTICAL SPINDLE TUBE	2	6	R20095	5/16" x 4" COTTER PIN	4
3.1.3	358-83-01-235	WALKER SLEEVE	1	7	R07806	5/8 LOCK WASHER	1
3.1.4	358-83-01-230	SPINDLE SLEEVE	2	8	340-00-00-347	16000 SPINDLE	4
3.1.5	395-01-01-004	REINFORCING PLATE	2	9	340-00-00-346	RETAINING RING	1
3.1.6	394-01-03-056	FILLER BAR	4	10	R20094	SPINDLE FLANGE NUT 1 3/4 - 12 UNF	4
3.1.7	395-01-01-005	TUBE CAPS	2	11	R07653	5/8 x 6 HEX BOLT	1
3.1.8	358-17-02-498	SPINDLE SLEEVE GUSSET	4	12	R07655	3/4 x 2 1/2 UNC HEX BOLT	8
3.1.9	358-17-02-502	REINFORCING CAP	2	13	R07827	3/4" FLAT WASHER	16
3.1.10	358-01-00-401	"FRONT" PLATE	1	14	R07878	3/4 UNC NYLOCK NUT	8
3.2	358-83-01-235	WALKER SLEEVE	1	15	R07786	5/8-11 UNC HEX NUT	9
3.3	358-17-06-511	CENTER CONNECTOR TUBE	1	16	R07927	5/8 x 1 1/2 UNC SQ HD SETSCREW	8

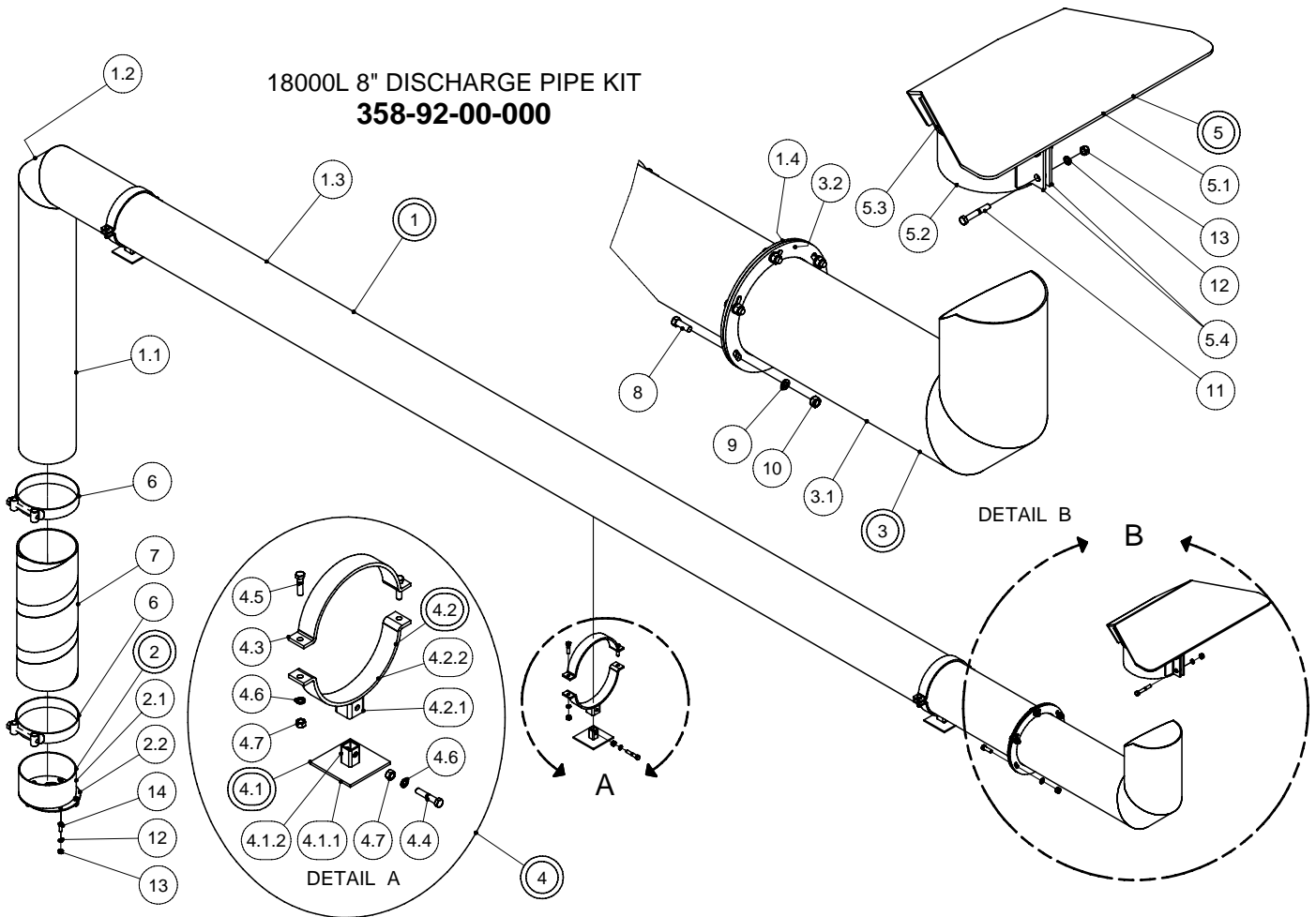
18000L 6" DISCHARGE PIPE KIT

PARTS LIST				PARTS LIST			
ITEM	PART NUMBER	DESCRIPTION	QTY	ITEM	PART NUMBER	DESCRIPTION	QTY
1	358-32-00-000	6" DISCHARGE PIPE ASSY	1	3.3	364-25-00-067	DISCHARGE PIPE END PC	1
1.1	358-32-00-109	VERTICAL DISCHARGE PIPE	1	3.4	364-19-00-087	DISCHARGE PIPE FLANGE	1
1.2	364-19-00-082	DISCHARGE PIPE CORNER PC	1	4	364-68-00-000	SPLASH PLATE ASSY	1
1.3	359-30-00-108	DISCHARGE PIPE HORZ. PC	1	4.1	364-68-00-215	CLAMPING TUBE	1
1.4	364-19-00-087	DISCHARGE PIPE FLANGE	1	4.2	364-21-00-069	SPLASH PLATE	1
2	357-16-00-000	6" DISCHARGE PIPE HOLDER KIT	2	4.3	364-21-00-224	SPLASH PLATE WING	2
2.1	357-16-01-000	DISCHARGE PIPE BASE HOLDER ASSY	1	4.4	364-21-00-071	CLAMPING TUBE BRKT	2
2.1.1	357-16-01-130	BASE PLATE	1	5	R02482	6" HOSE CLAMP	2
2.1.2	357-16-01-131	LOWER STUB	1	6	364-31-00-000	HOSE TUBE ASSY - 6"	1
2.2	357-16-02-000	PIPE HOLDER ASSY	1	6.1	364-01-03-376	DISCHARGE RING	1
2.2.1	357-16-02-137	UPPER STUB	1	6.2	364-01-03-063	DISCHARGE TUBE	1
2.2.2	357-16-00-133	TOP PIPE HOLDER - 6"	1	7	R07804	7/16 LOCK WASHER	6
2.3	357-16-00-133	TOP PIPE HOLDER - 6"	1	8	R07784	7/16 HEX NUT	6
2.4	R07620	3/8 x 1 1/2 HEX BOLT	2	9	R07671	7/16 x 1 1/4 HEX BOLT	6
2.5	R07783	3/8 HEX NUT	3	10	R07622	3/8 x 2 1/2 HEX BOLT	2
2.6	R07803	3/8 LOCK WASHER	3	11	R07803	3/8 LOCK WASHER	7
2.7	R07621	3/8 x 2" HEX BOLT	1	12	R07783	3/8 HEX NUT	7
3	364-25-00-000	DISCHARGE PIPE END SECTION ASSY	1	13	364-00-00-066	HOSE SECTION	1
3.1	364-25-00-088	DISCHARGE PIPE FLANGE PC	1	14	R07619	3/8 x 1 HEX BOLT	5
3.2	364-19-00-082	DISCHARGE PIPE CORNER PC	1				



18000L 8" DISCHARGE PIPE KIT

PARTS LIST				PARTS LIST			
ITEM	PART NUMBER	DESCRIPTION	QTY	ITEM	PART NUMBER	DESCRIPTION	QTY
1	358-92-02-000	8" DISCHARGE PIPE ASSY-18000L	1	4.4	R07621	3/8 x 2" HEX BOLT	1
1.1	358-92-02-525	DISCHARGE VERTICAL PIPE	1	4.5	R07620	3/8 x 1 1/2 HEX BOLT	2
1.2	358-92-02-524	DISCHARGE ELBOW PC	1	4.6	R07803	3/8 LOCK WASHER	3
1.3	358-92-02-303	8" HORIZONTAL DISCHARGE PIPE	1	4.7	R07783	3/8 HEX NUT	3
1.4	358-92-02-306	8" DISCHARGE FLANGE	1	5	358-92-04-000	8" SPLASH PLATE ASSY	1
2	358-92-01-000	8" HOUSING RING & TUBE ASSY	1	5.1	358-92-04-308	8" SPLASH PLATE	1
2.1	358-92-01-302	8" HOUSING OUTLET TUBE	1	5.2	358-92-04-309	8" SPLASH PLATE TUBE	1
2.2	358-92-01-301	8" HOUSING DISCHARGE RING	1	5.3	358-92-04-310	WING FOR 8" SPLASH PLATE	2
3	358-92-03-000	8" EXTENSION PIPE ASSY	1	5.4	358-92-04-311	CLAMPING TUBE BRKT	2
3.1	358-92-03-307	8" EXTENSION PIPE	1	6	R02484	8" SUCTION HOSE CLAMP	2
3.2	358-92-02-306	8" DISCHARGE FLANGE	1	7	358-92-00-329	8" DISCHARGE HOSE	1
4	357-17-00-000	8" DISCHARGE PIPE HOLDER KIT	3	8	R07671	7/16 x 1 1/4 HEX BOLT	6
4.1	357-16-01-000	DISCH. PIPE BASE HOLDER ASSY	1	9	R07804	7/16 LOCK WASHER	6
4.1.1	357-16-01-130	BASE PLATE	1	10	R07784	7/16 HEX NUT	6
4.1.2	357-16-01-131	LOWER STUB	1	11	R07622	3/8 x 2 1/2 HEX BOLT	2
4.2	357-17-01-000	PIPE HOLDER ASSY - 8"	1	12	R07803	3/8 LOCK WASHER	7
4.2.1	357-16-02-137	UPPER STUB	1	13	R07783	3/8 HEX NUT	7
4.2.2	357-17-00-135	TOP PIPE HOLDER - 8"	1	14	R07619	3/8 x 1 HEX BOLT	5
4.3	357-17-00-135	TOP PIPE HOLDER - 8"	1				



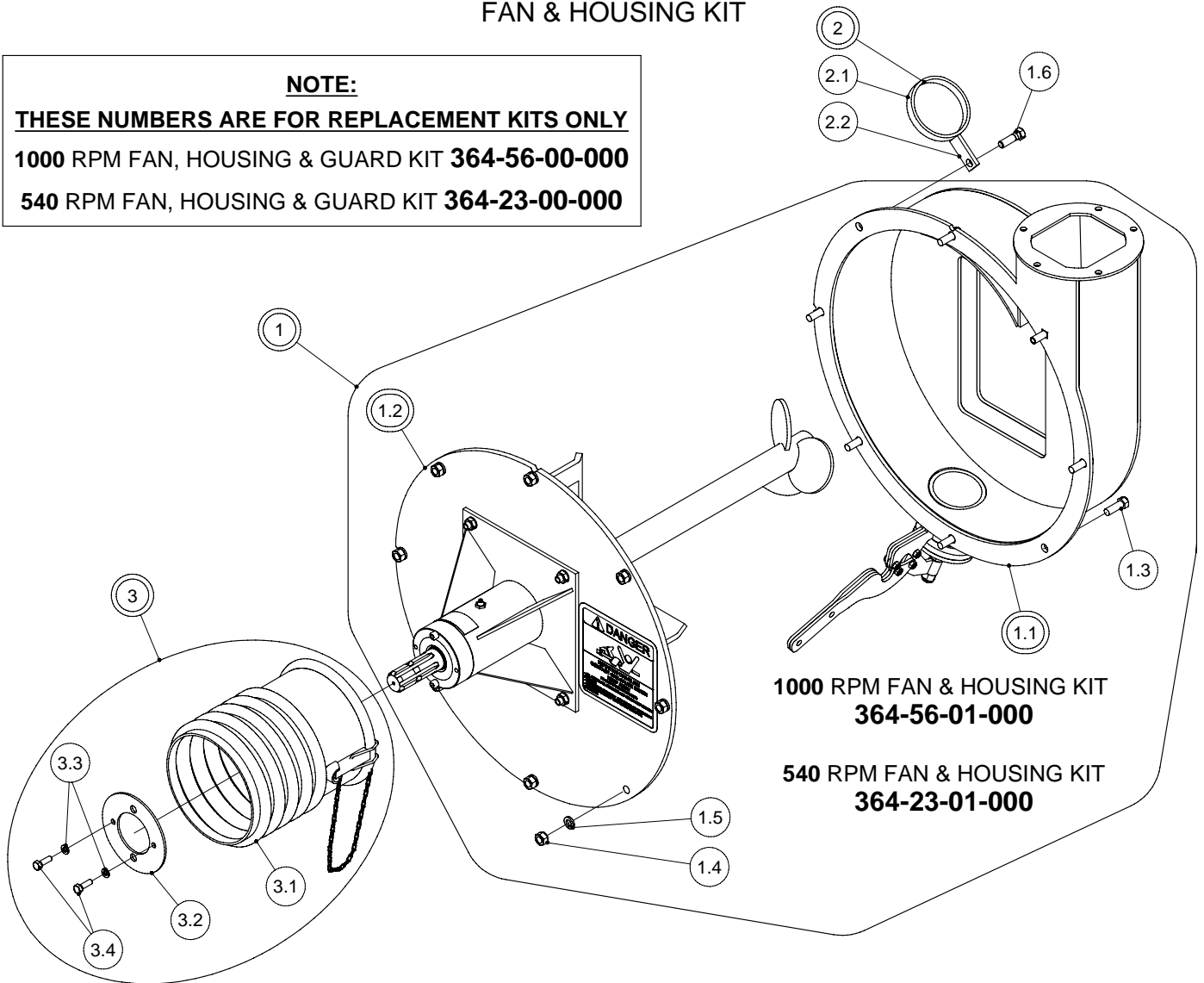
FAN & HOUSING KIT

NOTE:

THESE NUMBERS ARE FOR REPLACEMENT KITS ONLY

1000 RPM FAN, HOUSING & GUARD KIT 364-56-00-000

540 RPM FAN, HOUSING & GUARD KIT 364-23-00-000



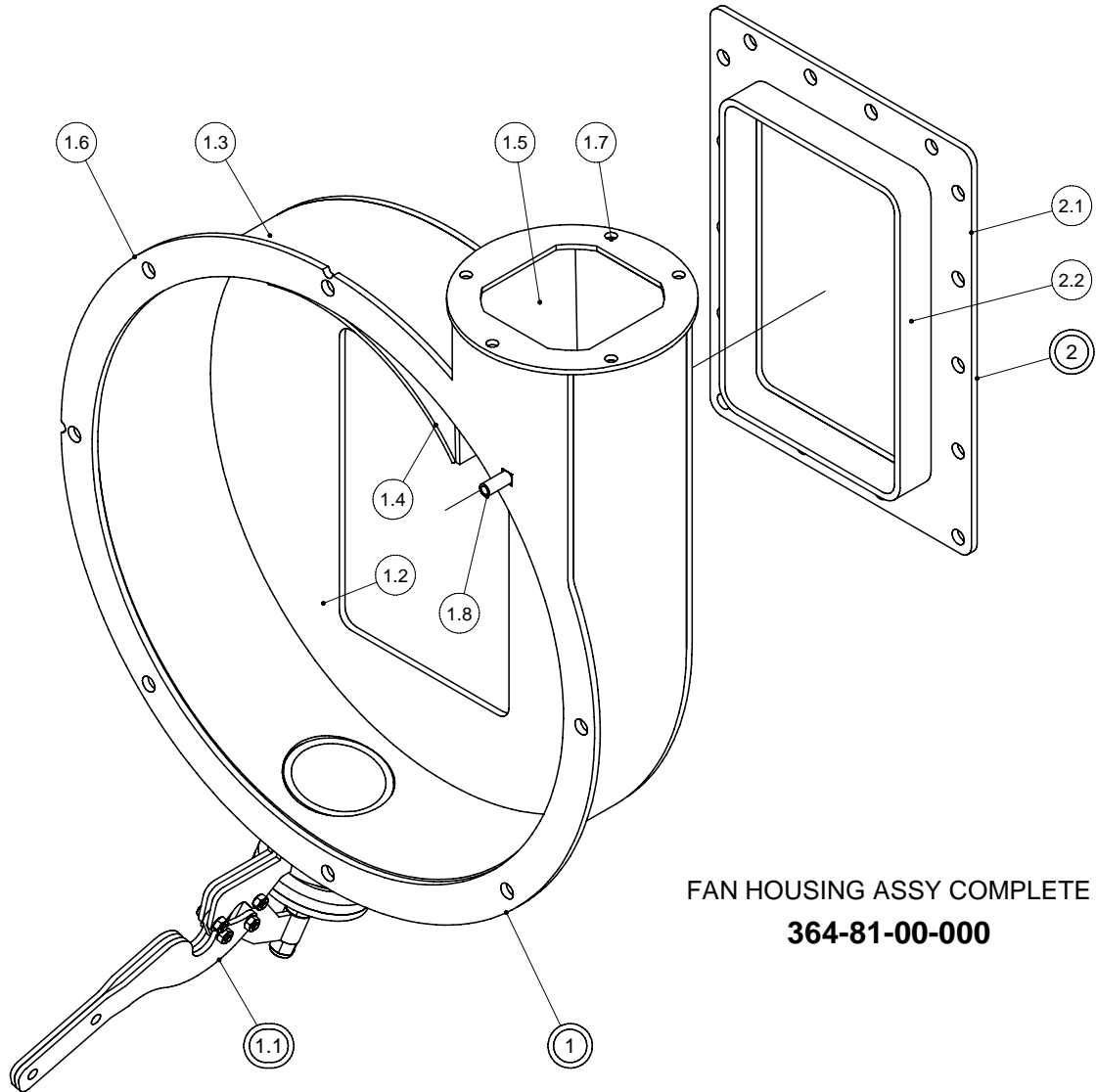
**1000 RPM FAN & HOUSING KIT
364-56-01-000**

**540 RPM FAN & HOUSING KIT
364-23-01-000**

PARTS LIST

ITEM	PART NUMBER	DESCRIPTION	QTY
1	364-56-01-000	1000 FAN & HOUSING KIT	1
1	364-23-01-000	540 FAN & HOUSING KIT	1
1.1	364-81-00-000	FAN HOUSING ASSY COMPLETE	1
1.2	364-66-01-000	1000 RPM FAN & COVER PLATE	1
1.2	364-65-01-000	540 RPM FAN & COVER PLATE	1
1.3	R07671	7/16 x 1 1/4 HEX BOLT	6
1.4	R07784	7/16 HEX NUT	8
1.5	R07804	7/16 LOCK WASHER	8
1.6	R07629	7/16 x 1 1/2 HEX BOLT	1
2	364-41-00-000	PTO HOLDER ASSY	1
2.1	364-41-00-132	PTO HOLDER	1
2.2	364-41-00-133	PTO HOLDER BRACKET	1
3	364-69-00-000	PLASTIC PTO GUARD KIT	1
3.1	R22196	SHEILD CONE ASSY	1
3.2	364-00-00-448	GUARD SUPPORT	1
3.3	R07802	5/16 LOCK WASHER	2
3.4	R07611	5/16 x 1" HEX BOLT	2

FAN HOUSING ASSY



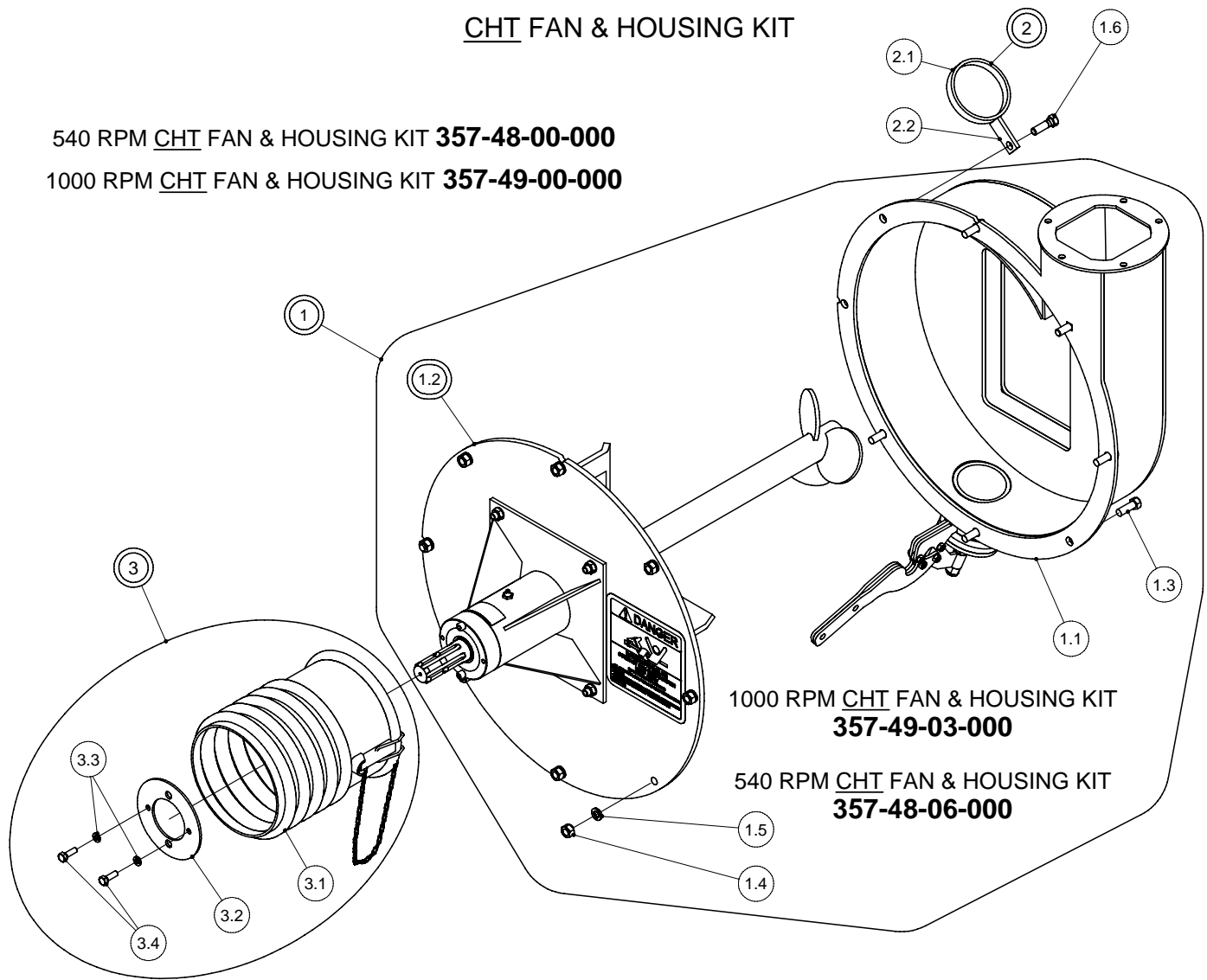
FAN HOUSING ASSY COMPLETE
364-81-00-000

PARTS LIST			
ITEM	PART NUMBER	DESCRIPTION	QTY
1	364-81-01-000	FAN HOUSING ASSY LESS FLANGE	1
1.1	364-62-00-000	DRAIN PLUG KIT	1
1.2	364-01-03-106	HOUSING BACK PLATE	1
1.3	364-01-03-018	HOUSING BAND	1
1.4	364-01-03-156	HOUSING BAND AID	1
1.5	364-01-03-081	FAN HOUSING VERTICAL PC	1
1.6	364-01-03-019	HOUSING FLANGE	1
1.7	364-01-03-376	DISCHARGE RING	1
1.8	R07774	7/16 x 1 1/4" GR 5 CARRIAGE BOLT	1
2	364-81-02-000	HOUSING INLET FLANGE ASSY	1
2.1	364-81-02-393	HOUSING FLANGE	1
2.2	364-81-02-424	INLET EXTENSION TUBE	1

CHT FAN & HOUSING KIT

540 RPM CHT FAN & HOUSING KIT **357-48-00-000**

1000 RPM CHT FAN & HOUSING KIT **357-49-00-000**

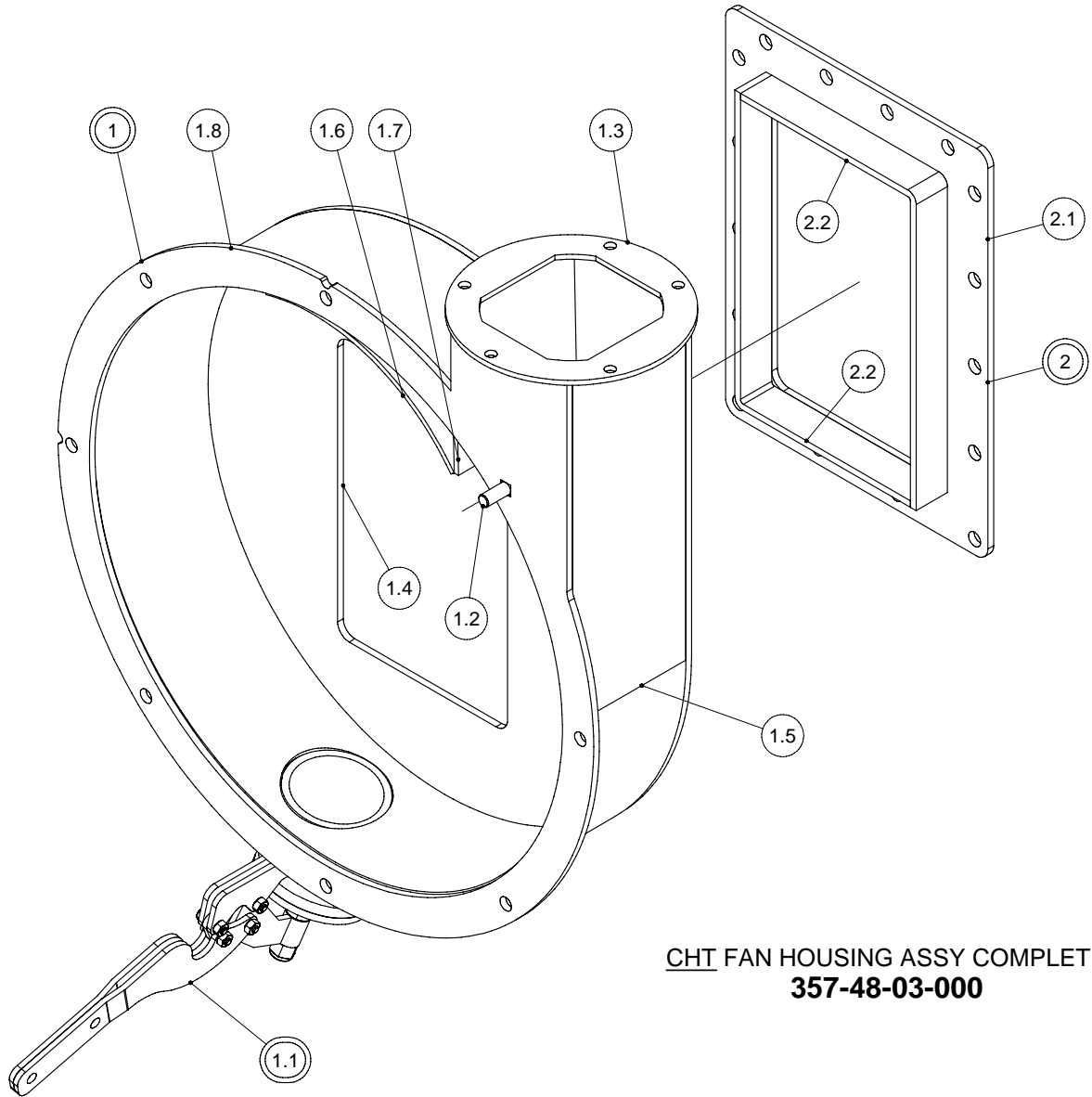


PARTS LIST

ITEM	PART NUMBER	DESCRIPTION	QTY
1	357-49-03-000	CHT 1000 RPM FAN & HOUSING KIT	OPT
1	357-48-06-000	CHT 540 FAN & HOUSING KIT	1
1.1	357-48-03-000	CHT FAN HOUSING ASSY COMPLETE	1
1.2	364-66-01-000	1000 RPM FAN & COVER PALTE	OPT
1.2	364-65-01-000	540 RPM FAN & COVER PLATE	1
1.3	R07671	7/16 x 1 1/4 HEX BOLT	6
1.4	R07784	7/16 HEX NUT	8
1.5	R07804	7/16 LOCK WASHER	8
1.6	R07629	7/16 x 1 1/2 HEX BOLT	1
2	364-41-00-000	PTO HOLDER ASSY	1
2.1	364-41-00-132	PTO HOLDER	1
2.2	364-41-00-133	PTO HOLDER BRACKET	1
3	364-69-00-000	PLASTIC PTO GUARD KIT	1
3.1	R22196	SHEILD CONE ASSY	1
3.2	364-00-00-448	GUARD SUPPORT	1
3.3	R07802	5/16 LOCK WASHER	2
3.4	R07611	5/16 x 1" HEX BOLT	2

OPT = OPTIONAL

CHT FAN HOUSING ASSY

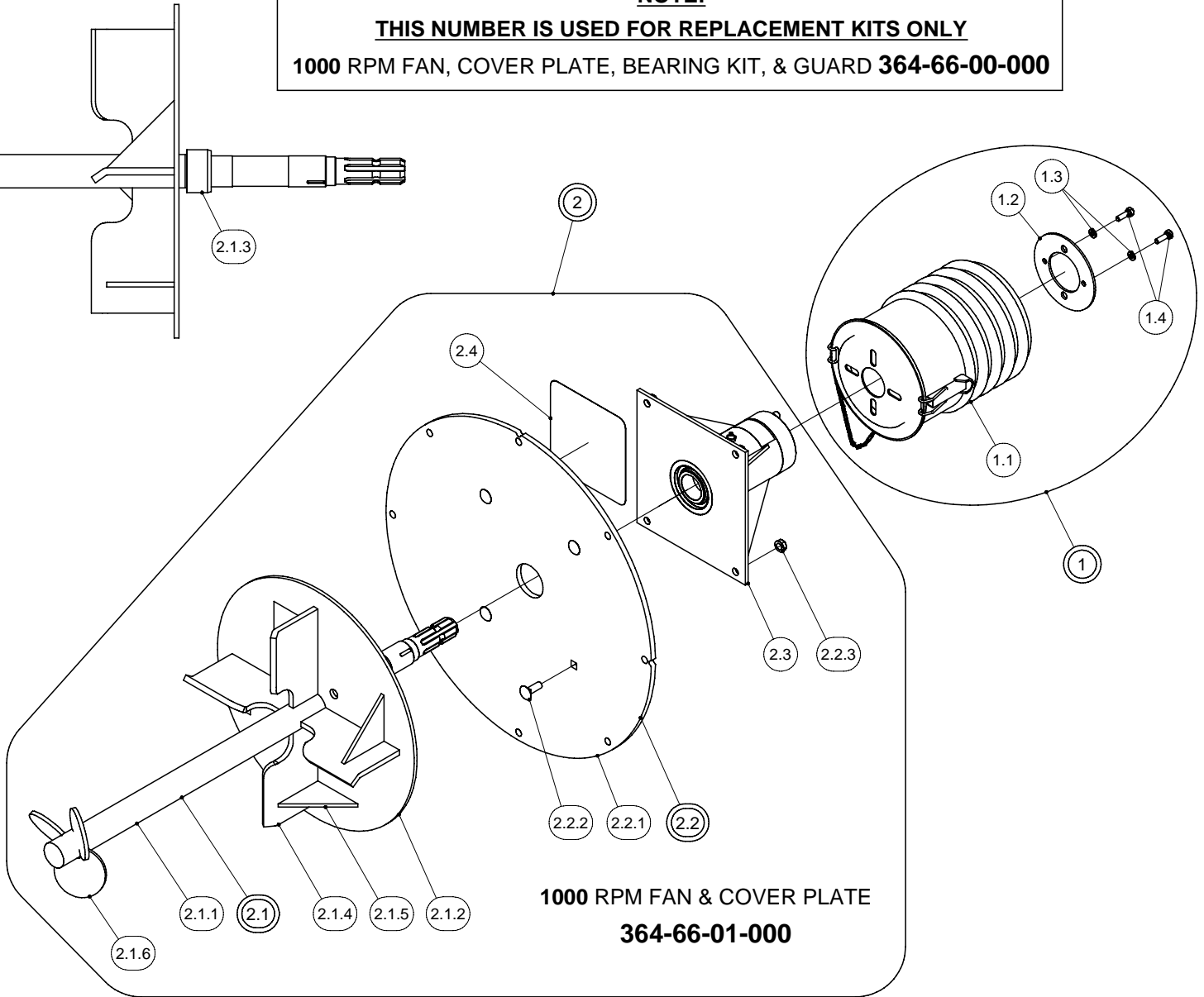


CHT FAN HOUSING ASSY COMPLETE
357-48-03-000

PARTS LIST			
ITEM	PART NUMBER	DESCRIPTION	QTY
1	357-48-01-000	CHT FAN HOUSING ASSY LESS FLANGE	1
1.1	364-62-00-000	DRAIN PLUG KIT	1
1.2	R07774	7/16 x 1 1/4 UNC CARRIAGE BOLT	1
1.3	364-01-03-376	DISCHARGE RING	1
1.4	357-48-01-228	CHT HOUSING BACK PLATE	1
1.5	357-48-01-232	CHT HOUSING BAND	1
1.6	357-48-01-231	CHT HOUSING BAND AID	1
1.7	357-48-01-230	CHT FAN HOUSING VERTICAL PC	1
1.8	357-48-01-229	CHT HOUSING FLANGE	1
2	357-48-02-000	CHT HOUSING INLET FLANGE ASSY	1
2.1	364-81-02-393	HOUSING FLANGE	1
2.2	357-48-02-233	CHT INLET EXTENSION	2

1000 RPM FAN, COVER PLATE & BRG KIT

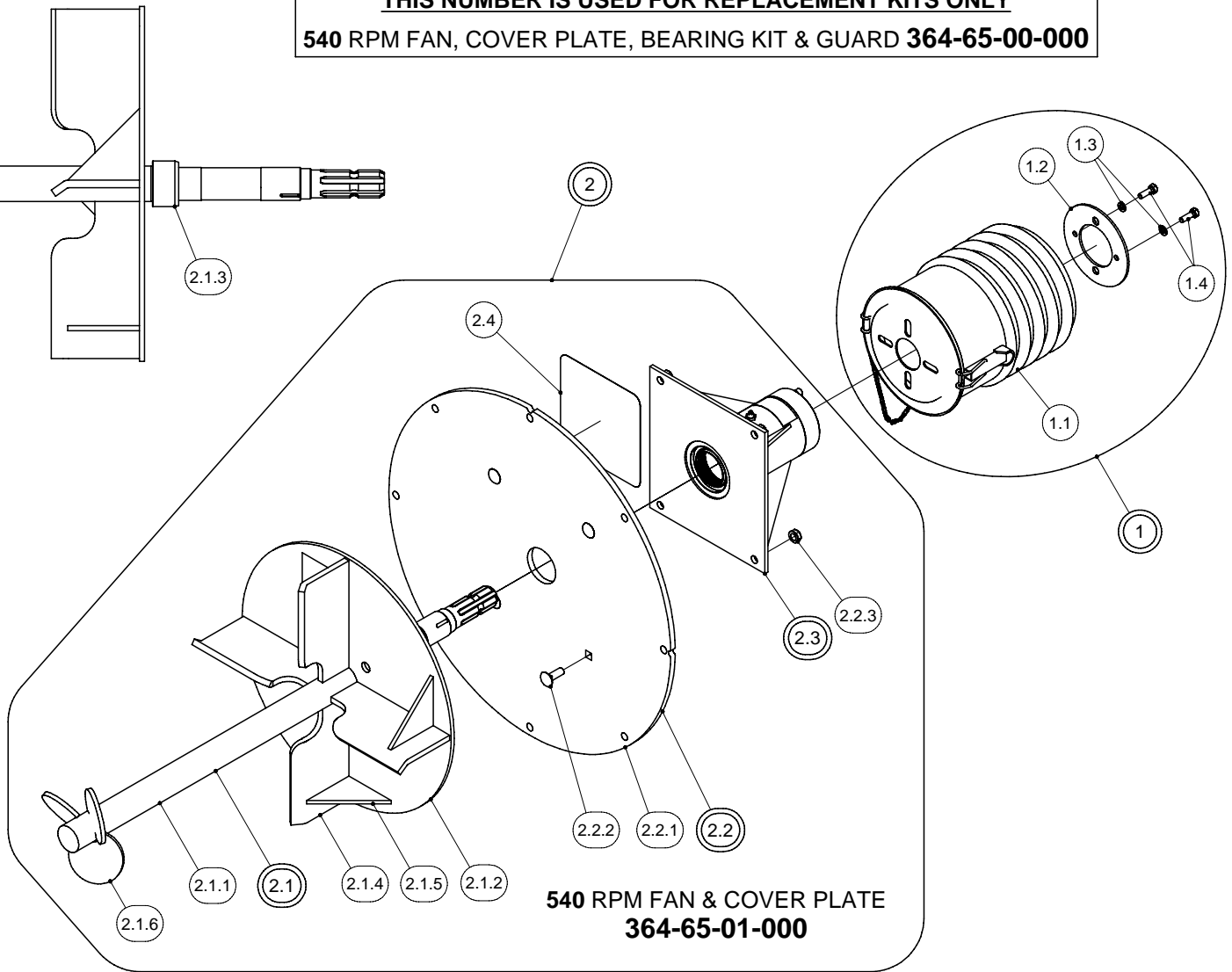
NOTE:
THIS NUMBER IS USED FOR REPLACEMENT KITS ONLY
1000 RPM FAN, COVER PLATE, BEARING KIT, & GUARD 364-66-00-000



PARTS LIST				PARTS LIST			
ITEM	PART NUMBER	DESCRIPTION	QTY	ITEM	PART NUMBER	DESCRIPTION	QTY
1	364-69-00-000	PLASTIC PTO GUARD KIT	1	2.1.4	364-64-00-210	CHT 1000 RPM FAN BLADE	4
1.1	R22196	SHEILD CONE ASSY	1	2.1.5	364-72-00-422	FAN BLADE GUSSET	4
1.2	364-00-00-448	GUARD SUPPORT	1	2.1.6	364-72-00-227	AGITATOR BLADE	3
1.3	R07802	5/16 LOCK WASHER	2	2.2	364-67-00-000	COVER PLATE ASSY	1
1.4	R07611	5/16 x 1" HEX BOLT	2	2.2.1	364-67-00-211	HOUSING COVER PLATE	1
2	364-66-01-000	1000 RPM FAN & COVER PLATE	1	2.2.2	R07774	7/16 x 1 1/4" GR 5 CARRIAGE BOLT	4
2.1	364-73-00-000	1000 RPM SHAFT & IMP. ASSY - CHT	1	2.2.3	R07879	7/16 FLANGE NUT	4
2.1.1	364-72-00-226	FAN SHAFT	1	2.3	357-59-00-000	BEARINGS & HOLDER KIT 2002	1
2.1.2	364-63-00-209	FAN BACK PLATE	1	2.4	R09785	"DANGER ROTATING DRIVELINE"	1
2.1.3	R20238	HARDENED SEAL SLEEVE	1			DECAL	

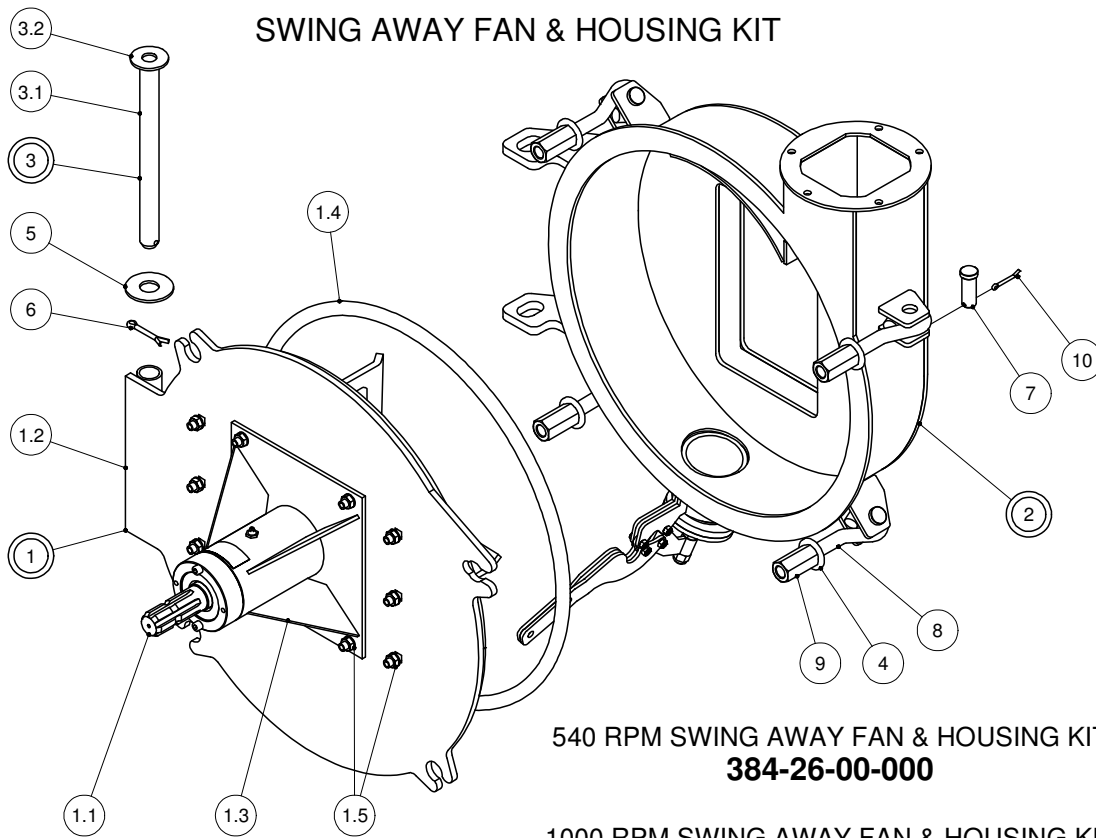
540 RPM FAN, COVER PLATE, & BRG KIT

NOTE:
THIS NUMBER IS USED FOR REPLACEMENT KITS ONLY
540 RPM FAN, COVER PLATE, BEARING KIT & GUARD 364-65-00-000



PARTS LIST				PARTS LIST			
ITEM	PART NUMBER	DESCRIPTION	QTY	ITEM	PART NUMBER	DESCRIPTION	QTY
1	364-69-00-000	PLASTIC PTO GUARD KIT	1	2.1.4	364-63-00-208	CHT 540 RPM FAN BLADE	4
1.1	R22196	SHEILD CONE ASSY	1	2.1.5	364-72-00-422	FAN BLADE GUSSET	4
1.2	364-00-00-448	GUARD SUPPORT	1	2.1.6	364-72-00-227	AGITATOR BLADE	3
1.3	R07802	5/16 LOCK WASHER	2	2.2	364-67-00-000	COVER PLATE ASSY	1
1.4	R07611	5/16 x 1" HEX BOLT	2	2.2.1	364-67-00-211	HOUSING COVER PLATE	1
2	364-65-01-000	540 RPM FAN & COVER PLATE	1	2.2.2	R07774	7/16 x 1 1/4" GR 5 CARRIAGE BOLT	4
2.1	364-72-00-000	540 RPM SHAFT & IMP. ASSY - CHT	1	2.2.3	R07879	7/16 FLANGE NUT	4
2.1.1	364-72-00-226	FAN SHAFT	1	2.3	357-59-00-000	BEARINGS & HOLDER KIT 2002	1
2.1.2	364-63-00-209	FAN BACK PLATE	1	2.4	R09785	"DANGER ROTATING DRIVELINE"	1
2.1.3	R20238	HARDENED SEAL SLEEVE	1			DECAL	

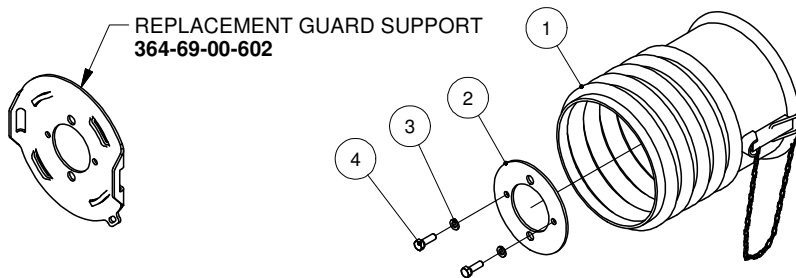
SWING AWAY FAN & HOUSING KIT



540 RPM SWING AWAY FAN & HOUSING KIT
384-26-00-000

1000 RPM SWING AWAY FAN & HOUSING KIT
384-27-00-000

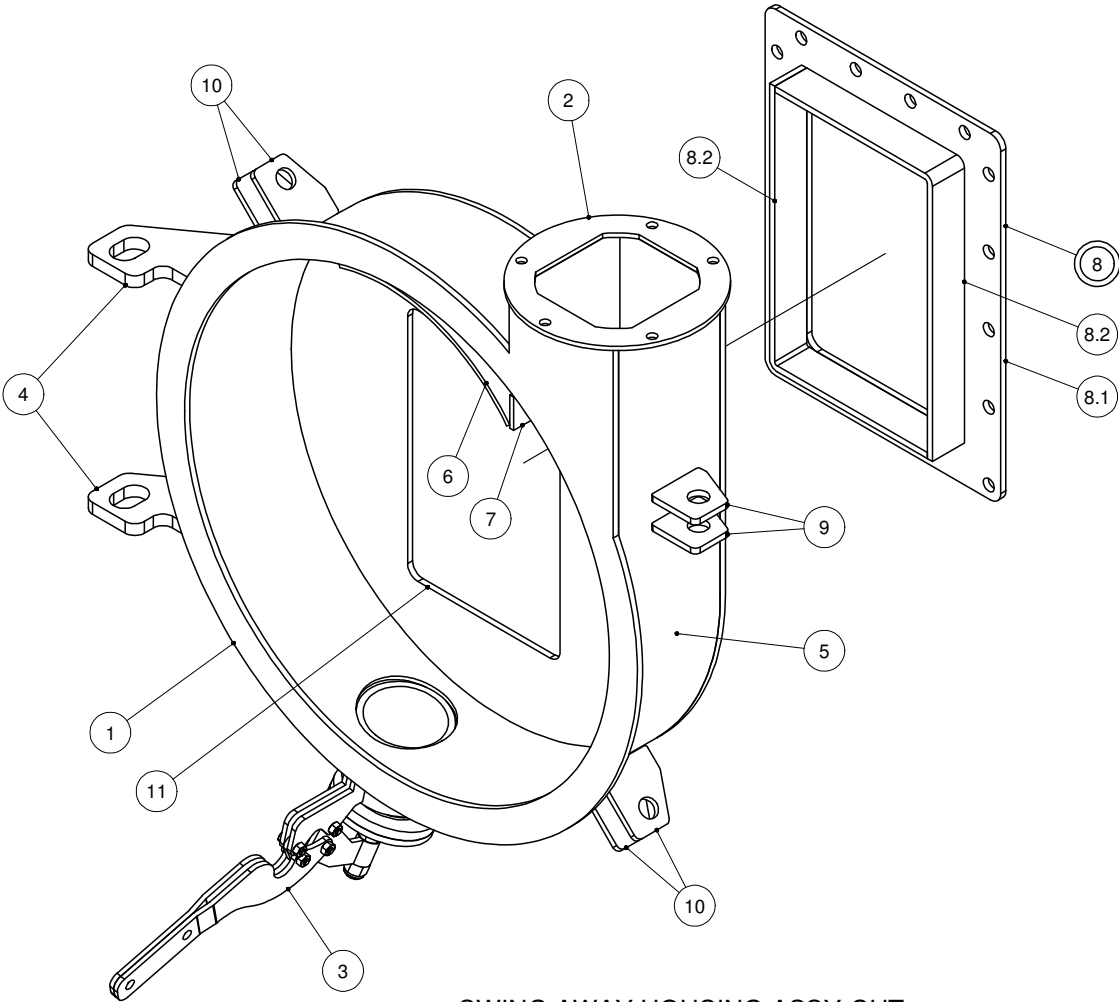
PARTS LIST				PARTS LIST			
ITEM	PART NUMBER	DESCRIPTION	QTY	ITEM	PART NUMBER	DESCRIPTION	QTY
1	384-26-01-000	540rpm S.A. FAN & COVERPLATE-CHT	1	3	376-02-04-000	LID PIN ASSY	1
	384-27-02-000	1000rpm S.A. FAN & COVERPLATE-CHT	1	3.1	376-02-04-508	LID PIN	1
1.1	384-20-05-000	540 RPM SHORT SHAFT & IMPELLER ASSY - CHT	1	3.2	R07827	3/4" FLAT WASHER	1
				4	376-02-00-577	MANWAY WASHER	4
	384-27-01-000	1000 RPM SHORT SHAFT & IMPELLER ASSY - CHT	1	5	R07828	1" FLAT WASHER	1
				6	R08016	1/4 x 2 COTTER PIN	1
1.2	384-20-03-000	HOUSING HATCH ASSY	1	7	R08443	EYE BOLT PIN	4
1.3	357-59-00-000	BEARINGS & HOLDER KIT 2002	1	8	R08442	3/4" EYE BOLT	4
1.4	384-20-00-301	RUBBER SEAL	1	9	R07800	3/4" COUPLING NUT	4
1.5	R07879	7/16 FLANGE NUT	10	10	R08207	5/32 x 1 1/2 S.S. COTTER PIN	4
2	384-20-01-000	HOUSING ASSY-CHT(2007)	1				



PLASTIC PTO GUARD KIT
364-69-00-000

PARTS LIST				PARTS LIST			
ITEM	PART NUMBER	DESCRIPTION	QTY	ITEM	PART NUMBER	DESCRIPTION	QTY
1	R22196	SHEILD CONE ASSY	1	3	R07802	5/16 LOCK WASHER	2
2	364-00-00-448	GUARD SUPPORT	1	4	R07611	5/16 x 1" HEX BOLT	2

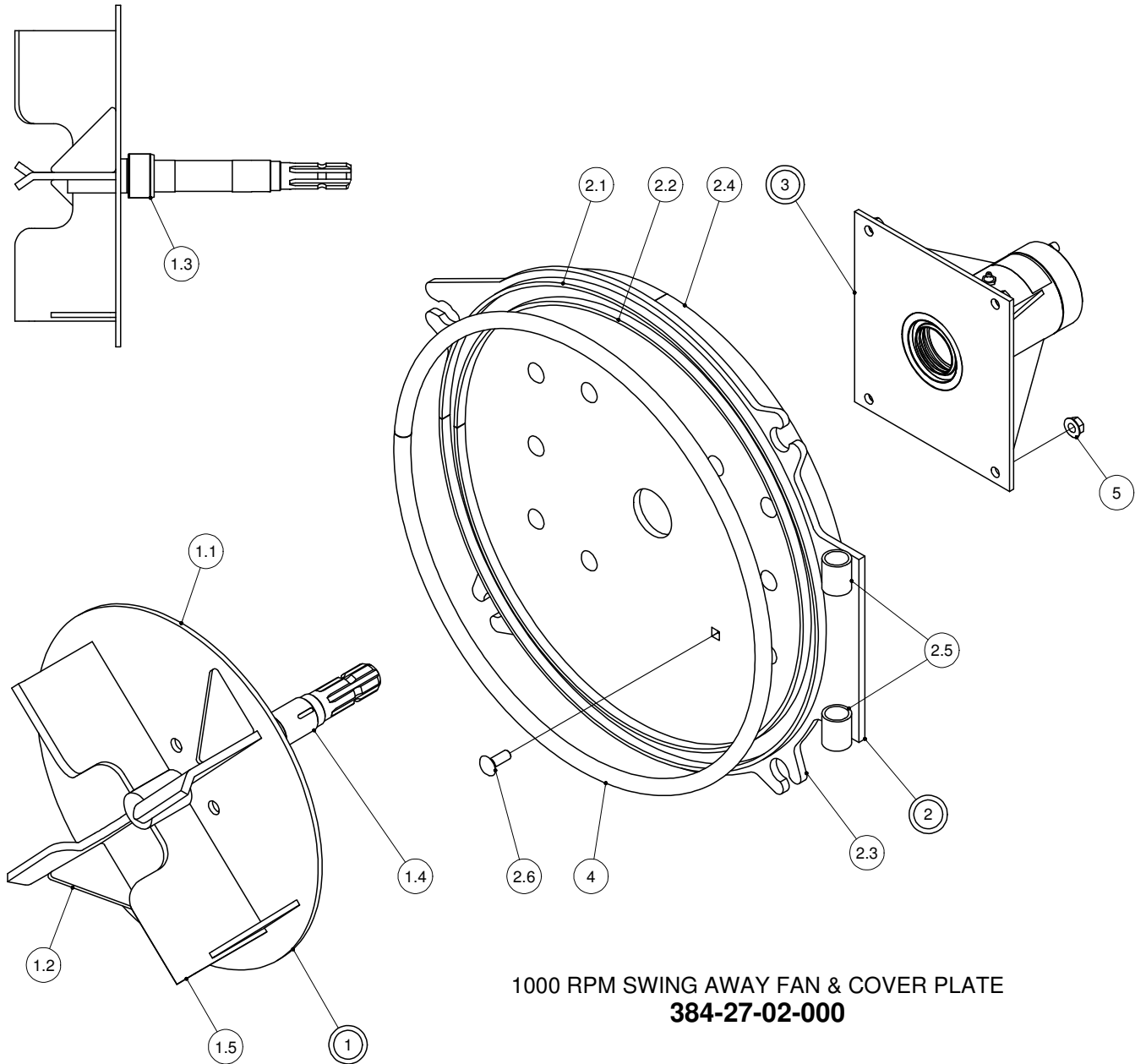
SWING AWAY HOUSING ASSY-CHT



SWING AWAY HOUSING ASSY-CHT
384-20-01-000

PARTS LIST			
ITEM	PART NUMBER	DESCRIPTION	QTY
1	384-20-01-289	HOUSING FLANGE	1
2	364-01-03-376	DISCHARGE RING	1
3	364-62-00-000	DRAIN PLUG KIT	1
4	384-20-01-290	DOOR HINGE	2
5	357-48-01-232	CHT HOUSING BAND	1
6	357-48-01-231	CHT HOUSING BAND AID	1
7	357-48-01-230	CHT FAN HOUSING VERTICAL PC	1
8	357-48-02-000	CHT HOUSING INLET FLANGE ASSY	1
8.1	364-81-02-393	HOUSING FLANGE	1
8.2	357-48-02-233	CHT INLET EXTENSION	2
9	384-20-01-424	SHORT HOUSING LUG	2
10	384-20-01-423	HOUSING LUG	6
11	357-48-01-228	CHT HOUSING BACK PLATE	1

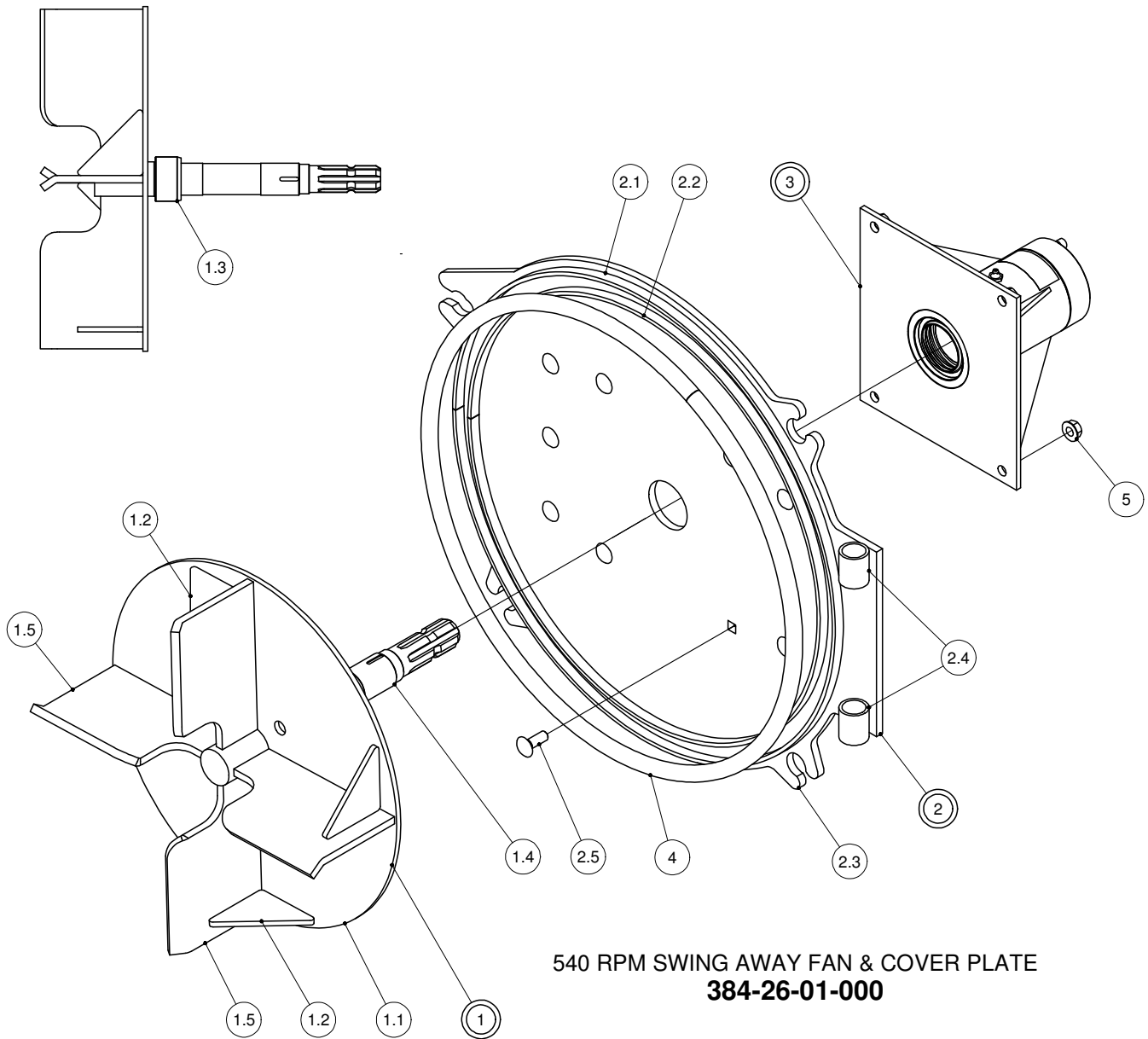
SWING AWAY COVER PLATE - 1000 RPM



**1000 RPM SWING AWAY FAN & COVER PLATE
384-27-02-000**

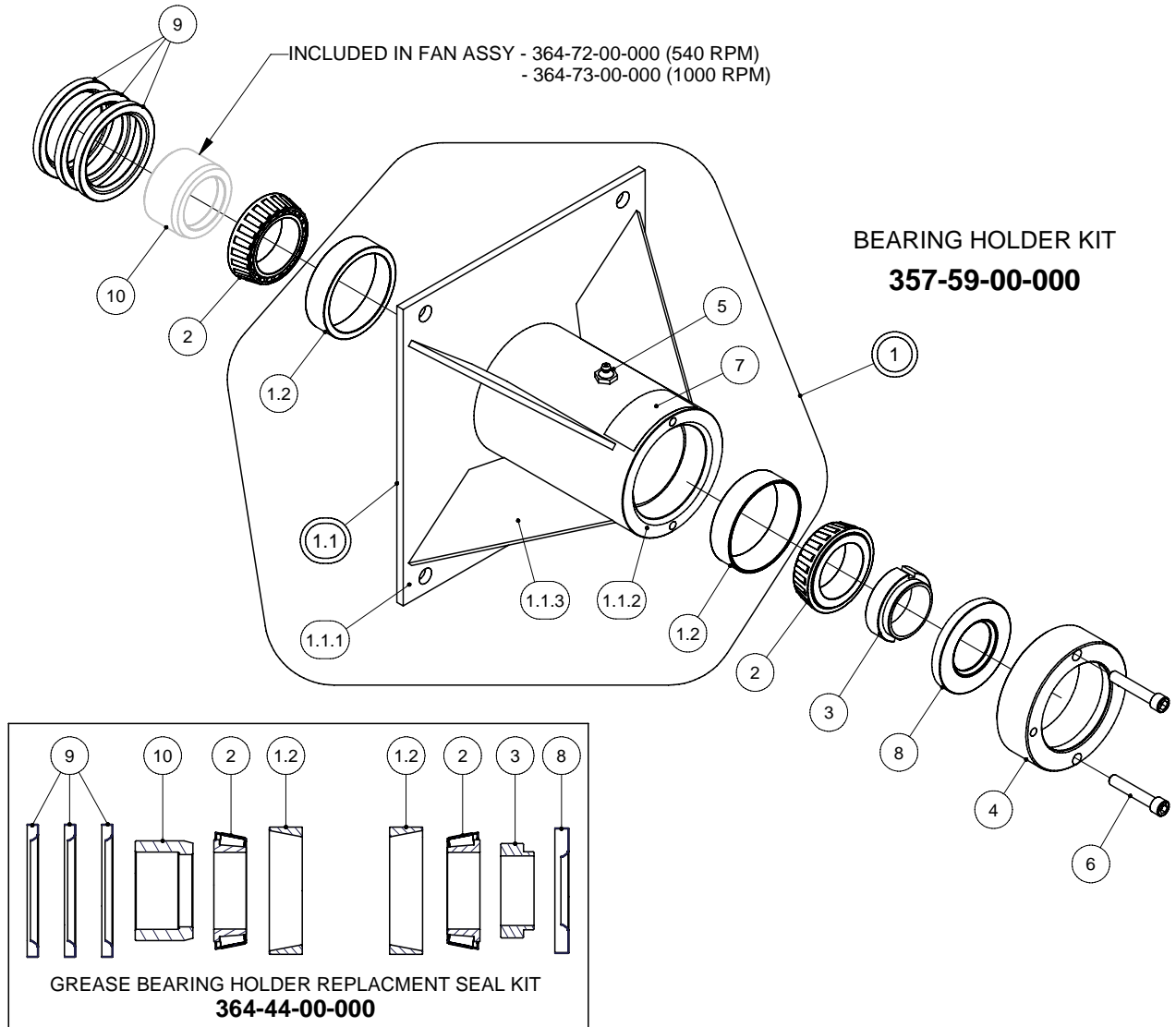
PARTS LIST				PARTS LIST			
ITEM	PART NUMBER	DESCRIPTION	QTY	ITEM	PART NUMBER	DESCRIPTION	QTY
1	384-27-01-000	1000 RPM SHORT SHAFT & IMPELLER ASSY - CHT	1	2.2	384-20-03-296	INNER RING	1
				2.3	384-20-03-294	COVER PLATE	1
1.1	364-63-00-209	FAN BACK PLATE	1	2.4	384-27-02-534	REIN. RING-1000 RPM COVER PLATE	1
1.2	364-72-00-422	FAN BLADE GUSSET	4	2.5	384-20-03-570	HATCH PIN SLEEVE	2
1.3	R20238	HARDENED SEAL SLEEVE	1	2.6	R07774	7/16 x 1 1/4 UNC CARRIAGE BOLT	10
1.4	384-20-05-318	SHORT FAN SHAFT	1	3	357-59-00-000	BEARINGS & HOLDER KIT 2002	1
1.5	384-27-01-542	CHT 1000 RPM HIGH FAN BLADE	4	4	384-20-00-301	RUBBER SEAL	1
2	384-27-03-000	HOUSING HATCH ASSY W/RING	1	5	R07879	7/16-14 UNC FLANGE NUT	10
2.1	384-20-03-295	OUTER RING	1				

SWING AWAY COVER PLATE - 540 RPM



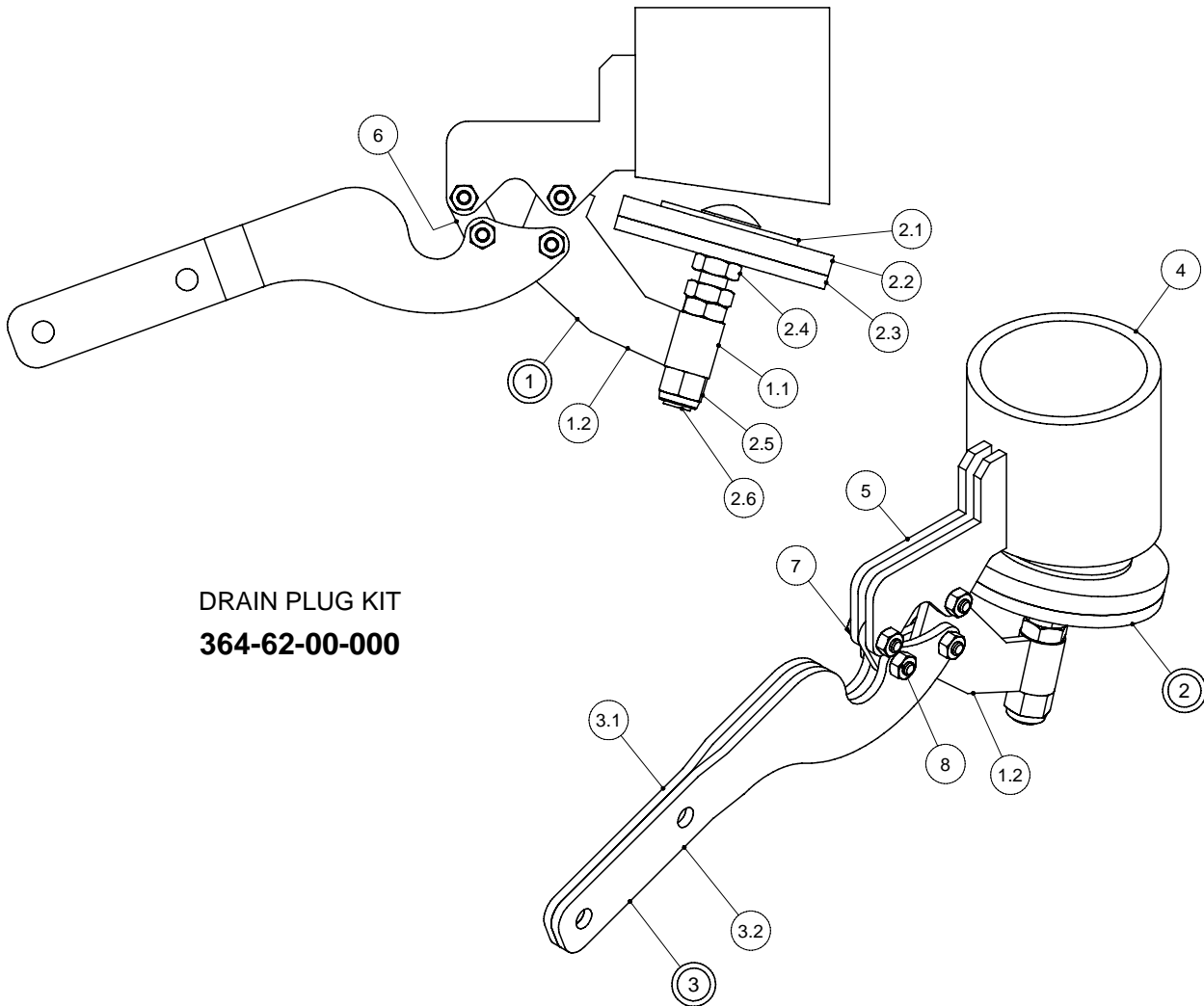
PARTS LIST				PARTS LIST			
ITEM	PART NUMBER	DESCRIPTION	QTY	ITEM	PART NUMBER	DESCRIPTION	QTY
1	384-20-05-000	540 RPM SHORT SHAFT & IMPELLER ASSY - CHT	1	2.1	384-20-03-295	OUTER RING	1
				2.2	384-20-03-296	INNER RING	1
1.1	364-63-00-209	FAN BACK PLATE	1	2.3	384-20-03-294	COVER PLATE	1
1.2	364-72-00-422	FAN BLADE GUSSET	4	2.4	384-20-03-570	HATCH PIN SLEEVE	2
1.3	R20238	HARDENED SEAL SLEEVE	1	2.5	R07774	7/16 x 1 1/4 UNC CARRIAGE BOLT	10
1.4	384-20-05-318	SHORT FAN SHAFT	1	3	357-59-00-000	BEARINGS & HOLDER KIT 2002	1
1.5	384-20-05-541	CHT 540 RPM FAN BLADE	4	4	384-20-00-301	RUBBER SEAL	1
2	384-20-03-000	HOUSING HATCH ASSY	1	5	R07879	7/16-14 UNC FLANGE NUT	10

BEARING HOLDER KIT



PARTS LIST			
ITEM	PART NUMBER	DESCRIPTION	QTY
1	357-59-01-000	BEARING HOLDER w/ CUPS KIT	1
1.1	357-59-02-000	BEARING BOX ASSY	1
1.1.1	364-61-00-192	SEAL TUBE BACK PLATE	1
1.1.2	364-61-00-191	BEARING TUBE	1
1.1.3	357-59-02-289	BEARING BOX GUSSET	4
1.2	R20113	LM501310 OUTER CUP	2
2	R20115	LM501349 OUTER CONE	2
3	364-00-00-212	STAKE NUT	1
4	364-00-00-332	SEAL TUBE KIT	1
5	R08188	1/4" NPT STRAIGHT GREASE FITTING	1
6	R08175	5/16 - 18 UNC x 1 3/4" CAP SCREW	2
7	R09787	GREASE DECAL	1
8	R21196	SL LIP SEAL 152833TB 1.5"	1
9	R21197	2.25 x 3.005 x .25 SEAL	3
10	R20238	HARDENED SEAL SLEEVE (NOT INCLUDED IN BEARING HOLDER KIT)	1

DRAIN PLUG KIT

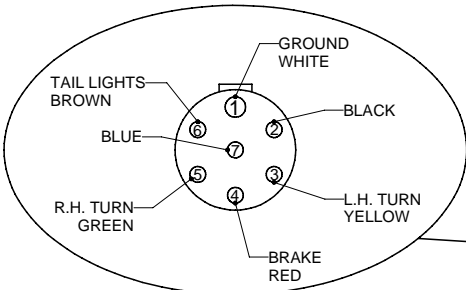
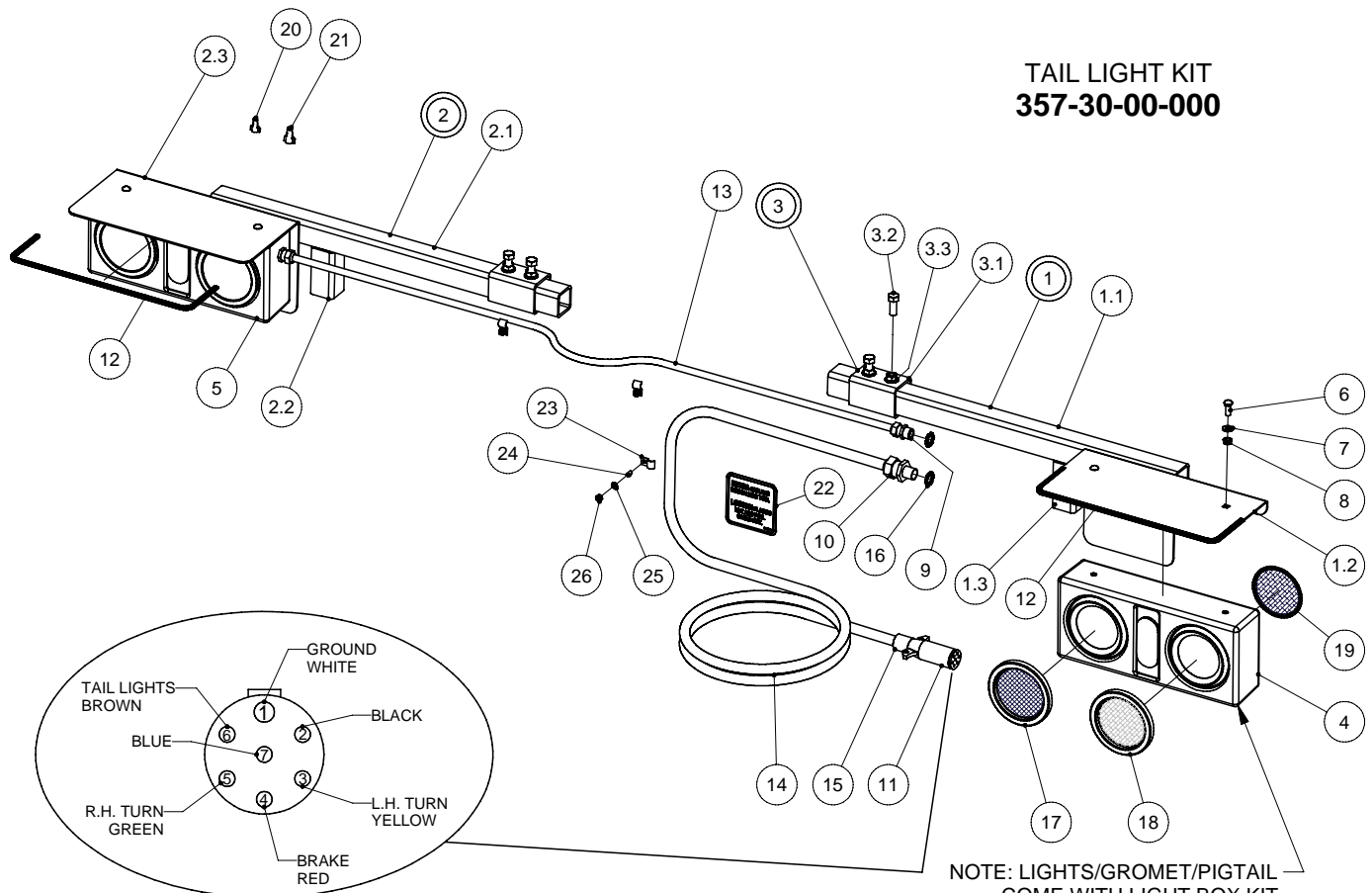


DRAIN PLUG KIT
364-62-00-000

PARTS LIST			
ITEM	PART NUMBER	DESCRIPTION	QTY
1	364-62-01-000	DRAIN PLUG SLEEVE ASSY	1
1.1	364-62-01-201	SLEEVE	1
1.2	364-62-01-200	SLEEVE LINKAGE	1
2	364-62-05-000	DRAIN PLUG REPLACMENT KIT	1
2.1	364-62-04-370	PLUG WASHER	1
2.2	364-62-02-204	RUBBER PLUG	1
2.3	364-62-02-203	PLUG PLATE	1
2.4	R08046	1/2 - 13 JAM NUT	3
2.5	R08219	1/2 UNC NYLOCK NUT	1
2.6	R08316	1/2 x 3 1/2" FULL THREAD CAR BOLT	1
3	364-62-03-000	HANDLE ASSY	1
3.1	364-62-03-206	LH HANDLE	1
3.2	364-62-03-207	RH HANDLE	1
4	364-01-03-110	DRAIN PIPE	1
5	364-62-00-199	PLUG HOUSING BRKT	2
6	364-62-00-205	SHORT LINKAGE	1
7	R08176	1/4 x 7/8" HEX BOLT	4
8	R08048	1/4" 2 WAY LOCK NUT	4

TAIL LIGHT KIT

PARTS LIST				PARTS LIST			
ITEM	PART NUMBER	DESCRIPTION	QTY	ITEM	PART NUMBER	DESCRIPTION	QTY
1	357-30-01-000	RH LIGHT BAR ASSY	1	10	R10357	3/4" NYLON TITE CONNECTOR	1
1.1	357-30-01-171	LIGHT BAR	1	11	R10095	7 POLE CONNECTOR	1
1.2	357-30-01-172	RH LITE BOLT PLATE	1	12	357-30-00-311	SAFETY EDGING	2
1.3	357-30-01-173	STUB BAR	1	13	R04046	4-WIRE TRAILER CABLE - APPROX. 4M	1
2	357-30-02-000	LH LIGHT BAR ASSY	1	14	R04235	14/6 TRAILER CABLE - APPROX. 10.5M	1
2.1	357-30-01-171	LIGHT BAR	1	15	R09636	RUBBER BOOT	1
2.2	357-30-01-173	STUB BAR	1	16	R10345	1/2" ELECTRICAL BOX LOCK NUT	3
2.3	357-30-02-245	LH LITE BOLT PLATE	1	17	R10087	RED LIGHT KIT	2
3	357-30-03-000	MOUNT BRKT ASSY	2	18	R10347	AMBER LIGHT KIT w/ CLEAR BACK	2
3.1	357-30-03-174	MOUNT BRKT	1	19	R10346	AMBER REPLACEMENT LENS	2
3.2	R07674	1/2 x 1 1/4 HEX BOLT	2	20	R04343	#451 YELLOW WING NUT CONNECTOR	8
3.3	R07795	1/2" UNC FLANGE NUT	2	21	R04422	#452 RED WING NUT CONNECTOR	2
4	R10349	RH LAMP BOX w/ 2 LAMPS	1	22	R09808	CABLE - LIGHT BOX DECAL	1
5	R10348	LH LAMP BOX w/ 2 LAMPS	1	23	R21104	HYD. HOSE CLIPS	12
6	R07721	3/8 x 1 CARRIAGE BOLT	4	24	R08301	1/4 x 20 UNC x 1/2" WELD STUD	12
7	R07823	3/8 FLAT WASHER	4	25	R07801	1/4" LOCK WASHER	12
8	R07794	3/8 FLANGE NUT	4	26	R07781	1/4-20 UNC HEX NUT	12
9	R10193	1/2" NYLON TITE CONNECTOR	2				



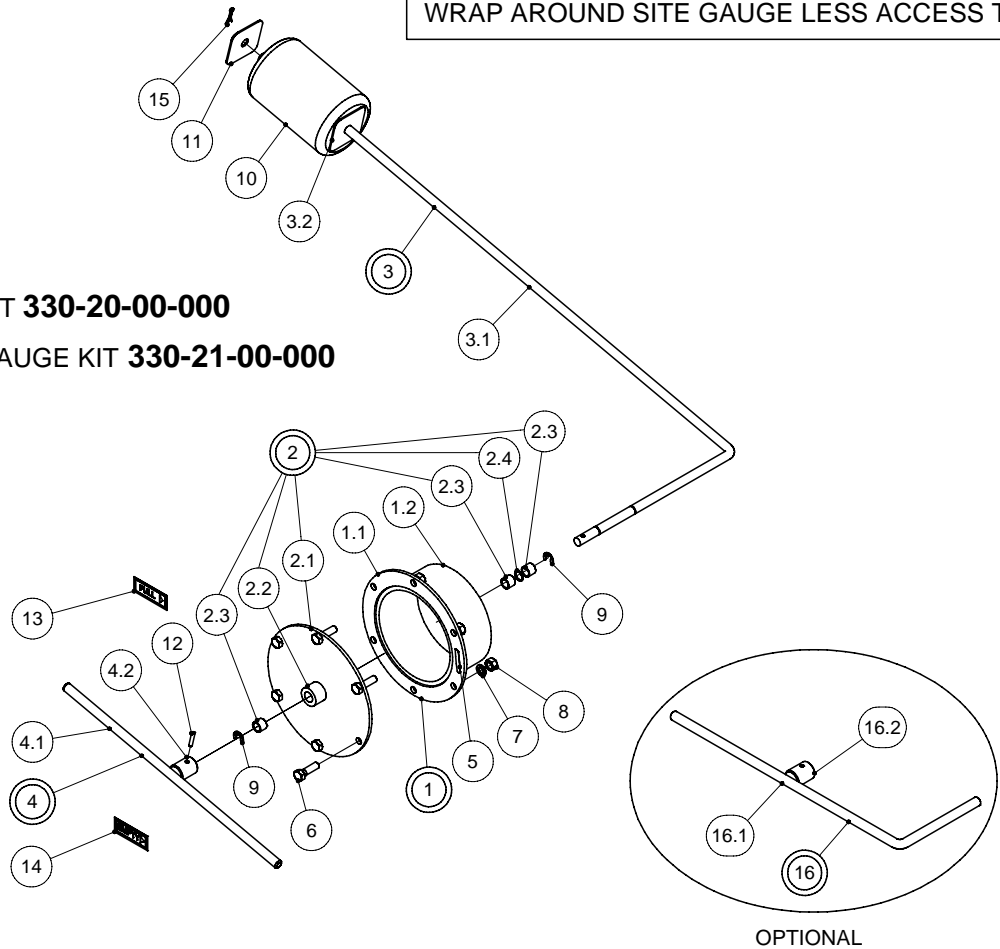
SIGHT GAUGE KIT

PARTS LIST				PARTS LIST			
ITEM	PART NUMBER	DESCRIPTION	QTY	ITEM	PART NUMBER	DESCRIPTION	QTY
1	330-20-03-000	ACCESS TUBE ASSY	1	5	R04100	SILICONE SEALANT	1
1.1	330-20-03-560	ACCESS TUBE FLANGE	1	6	R07675	3/8 x 1 1/4" HEX BOLT	6
1.2	330-20-03-556	ACCESS TUBE	1	7	R07803	3/8 LOCK WASHER	6
2	330-20-04-000	COVER PLATE ASSY	1	8	R07783	3/8 HEX NUT	6
2.1	330-20-00-557	COVER PLATE	1	9	R07974	EXTERNAL RETAINING RING	2
2.2	330-20-04-562	BUSHING HOLDER	1	10	R09524	FLOAT	1
2.3	R21173	1/2 x 5/8 x 1/2" BRONZE BUSHING	3	11	330-20-01-552	FLOAT STRAPS	1
2.4	R20865	O-RING #11-014	1	12	R08241	3/16 x 1 SS ROLL PIN	1
3	330-20-01-000	FLOAT ARM ASSY	1	13	R09529	"FULL" DECAL	1
3.1	330-20-01-551	FLOAT ARM	1	14	R09530	"EMPTY" DECAL	1
3.2	330-20-01-552	FLOAT STRAPS	1	15	R08021	1/8 x 1 S.S. COTTER PIN	1
4	330-20-02-000	INDICATOR ARM ASSY	1	16	330-21-01-000	WRAP AROUND SITE ARM ASSY	1
4.1	330-20-02-554	INDICATOR ARM	1	16.1	330-19-46-546	WRAP AROUND SITE ARM	1
4.2	330-20-02-553	INDICATOR ARM HUB	1	16.2	330-20-02-553	INDICATOR ARM HUB	1

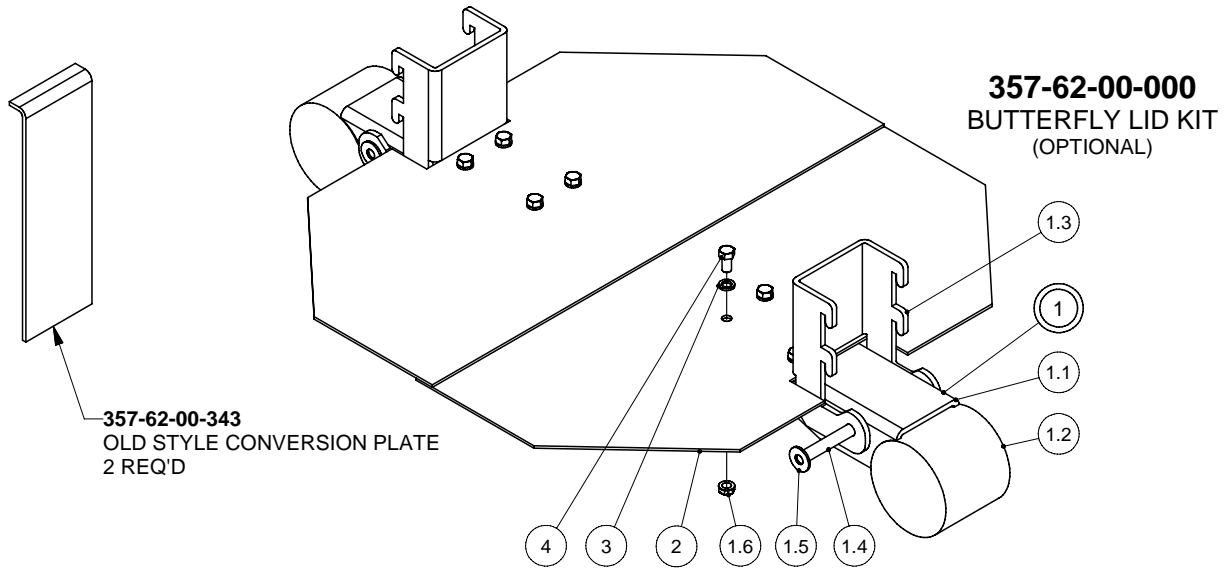
330-22-00-000
SITE GAUGE LESS ACCESS TUBE

330-23-00-000
WRAP AROUND SITE GAUGE LESS ACCESS TUBE

SIGHT GAUGE KIT **330-20-00-000**
WRAP AROUND SIGHT GAUGE KIT **330-21-00-000**

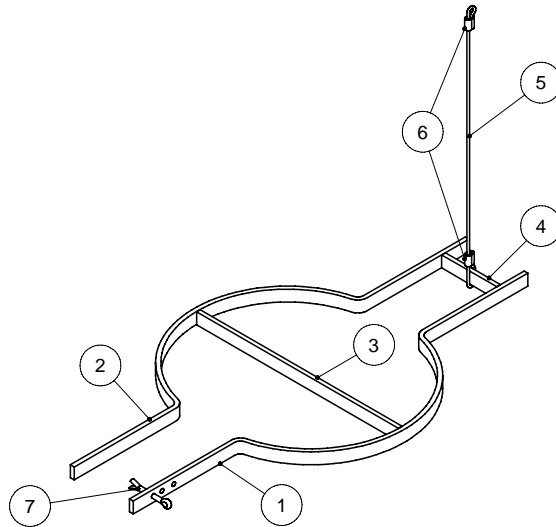


BUTTERFLY LID & SAFETY GRATE



NOTE: WITH INSTALLATION OF A BUTTERFLY LID, A SAFETY GRATE MUST BE USED TO LOCK LID IN PLACE

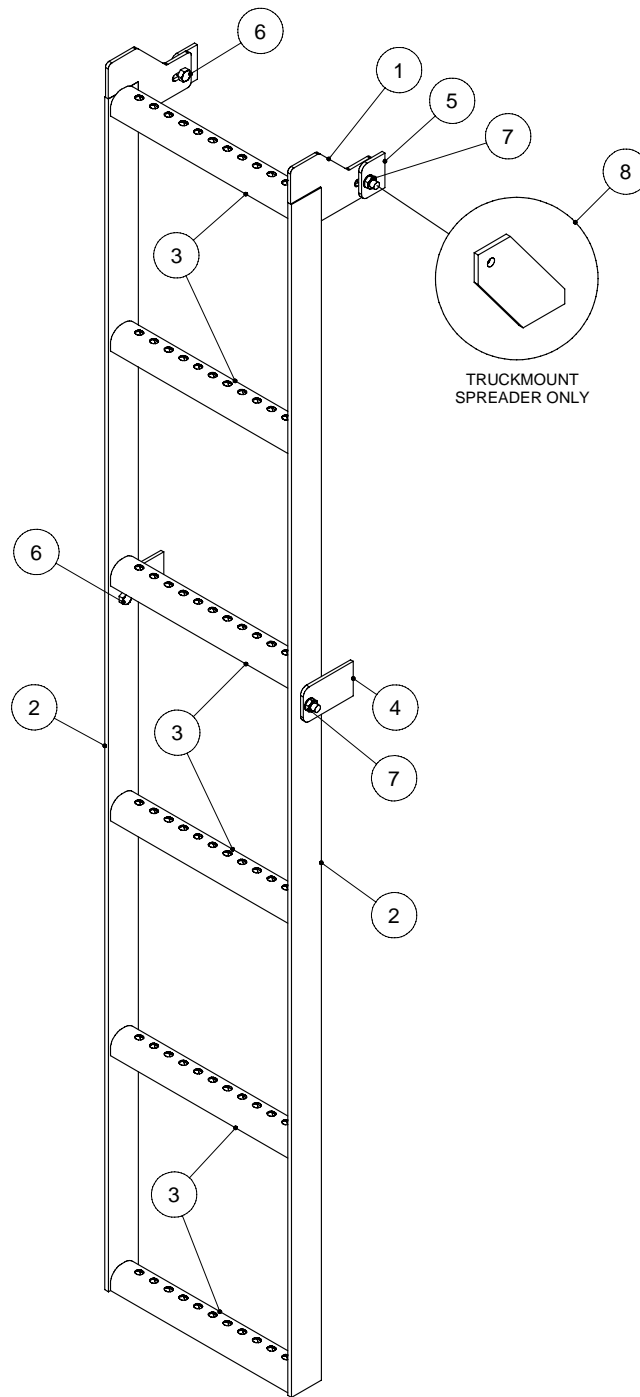
PARTS LIST				PARTS LIST			
ITEM	PART NUMBER	DESCRIPTION	QTY	ITEM	PART NUMBER	DESCRIPTION	QTY
1	357-62-01-000	BUTTERFLY HINGE KIT	2	1.5	R07824	7/16 FLAT WASHER	2
1.1	357-62-01-316	U - CHANNEL HINGE	1	1.6	R07794	3/8 FLANGE NUT	4
1.2	357-62-01-317	COUNTER WEIGHT	1	2	357-62-00-318	BUTTERFLY LID	2
1.3	357-62-01-319	DROP-IN HINGE	1	3	R08319	3/8 S.S. LOCK WASHER	8
1.4	357-62-01-315	HINGE PIN	1	4	R08317	3/8 x 3/4 S.S. HEX BOLT	8



PARTS LIST			
ITEM	PART NUMBER	DESCRIPTION	QTY
1	357-63-00-320	SAFETY BAR w/ HOLE	1
2	357-63-00-332	SAFETY BAR	1
3	357-63-00-321	CROSS SAFETY BAR	1
4	357-63-00-322	STOP BAR	1
5	357-63-00-331	SAFETY CABLE	1
6	R08068	1/8" ALUMINUM CRIMP SLEEVES	2
7	R08016	1/4 x 2 COTTER PIN	1

LADDER KIT

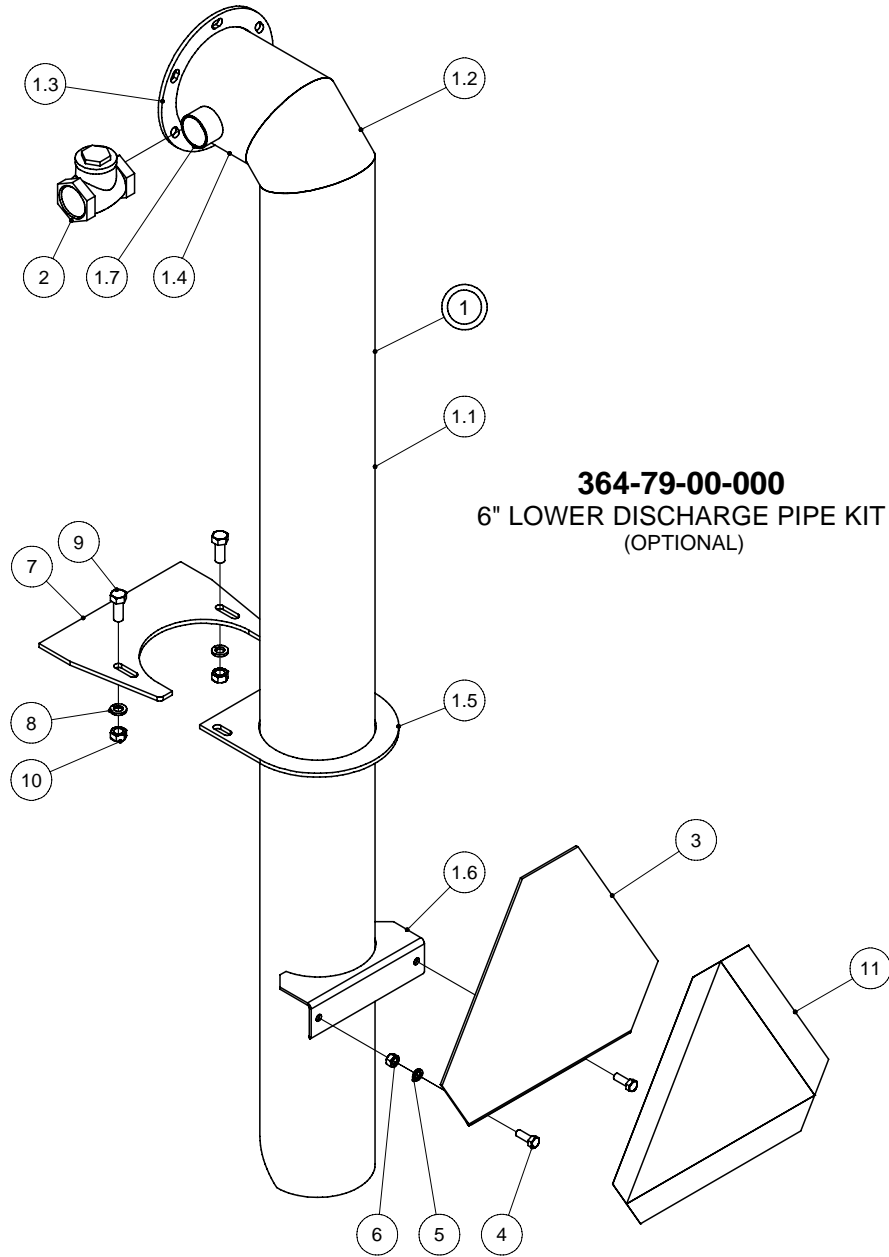
LADDER KIT
364-95-00-000



PARTS LIST

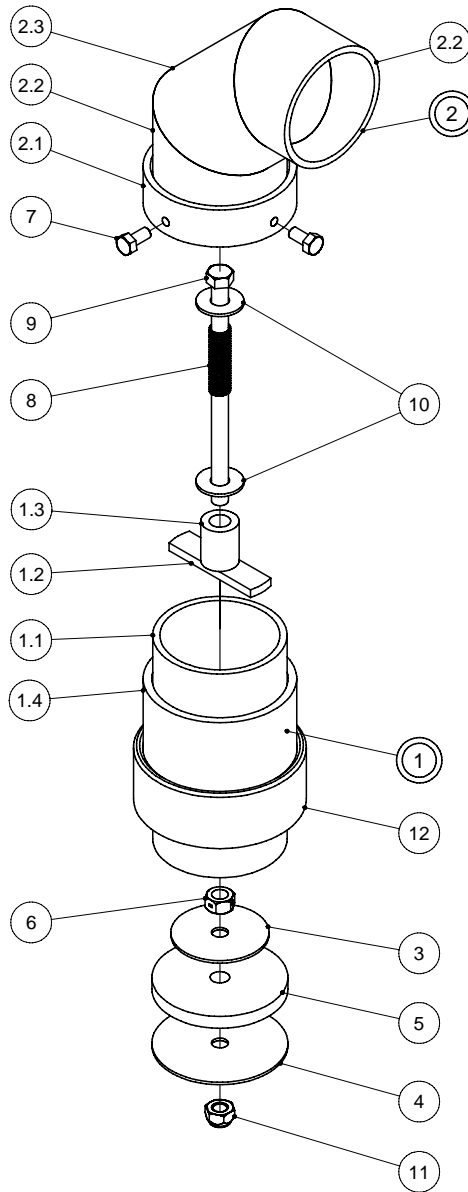
ITEM	PART NUMBER	DESCRIPTION	QTY
1	364-95-00-326	LADDER LUG	2
2	364-95-00-325	LADDER SIDE PC	2
3	364-95-00-324	LADDER RUNG	6
4	364-00-00-414	TANK LUG	2
5	364-95-00-327	UPPER TANK LUG	2
6	R07619	3/8 x 1 HEX BOLT	4
7	R07794	3/8 FLANGE NUT	4
8	384-00-00-216	LADDER BRKT	1

LOWER DISCHARGE PIPE KIT



PARTS LIST				PARTS LIST			
ITEM	PART NUMBER	DESCRIPTION	QTY	ITEM	PART NUMBER	DESCRIPTION	QTY
1	364-79-01-000	6" DROP PIPE ASSY-15000 PROFILE TANK	1	3	200-00-00-132	S.M.V. SIGN HOLDER	1
				4	R07619	3/8 x 1 HEX BOLT	2
1.1	364-79-01-295	LONG DROP PIPE	1	5	R07803	3/8 LOCK WASHER	2
1.2	364-19-00-082	DISCHARGE PIPE CORNER PC	1	6	R07783	3/8 HEX NUT	2
1.3	364-19-00-087	DISCHARGE PIPE FLANGE	1	7	384-05-03-070	TANK BRKT	1
1.4	364-79-01-296	SHORT HORIZONTAL PIPE	1	8	R07805	1/2 LOCK WASHER	2
1.5	384-05-02-069	TUBE ATTACHMENT BRKT	1	9	R07674	1/2 x 1 1/4 HEX BOLT	2
1.6	308-77-00-226	S.M.V. SIGN HOLDER	1	10	R07785	1/2 HEX NUT	2
1.7	R02127	1 1/2 CLOSE NIPPLE	1	11	R09501	SLOW MOVING VEHICLE DECAL	1
2	R02490	1 1/2" CHECK VALVE	1				

TANK VENT KIT



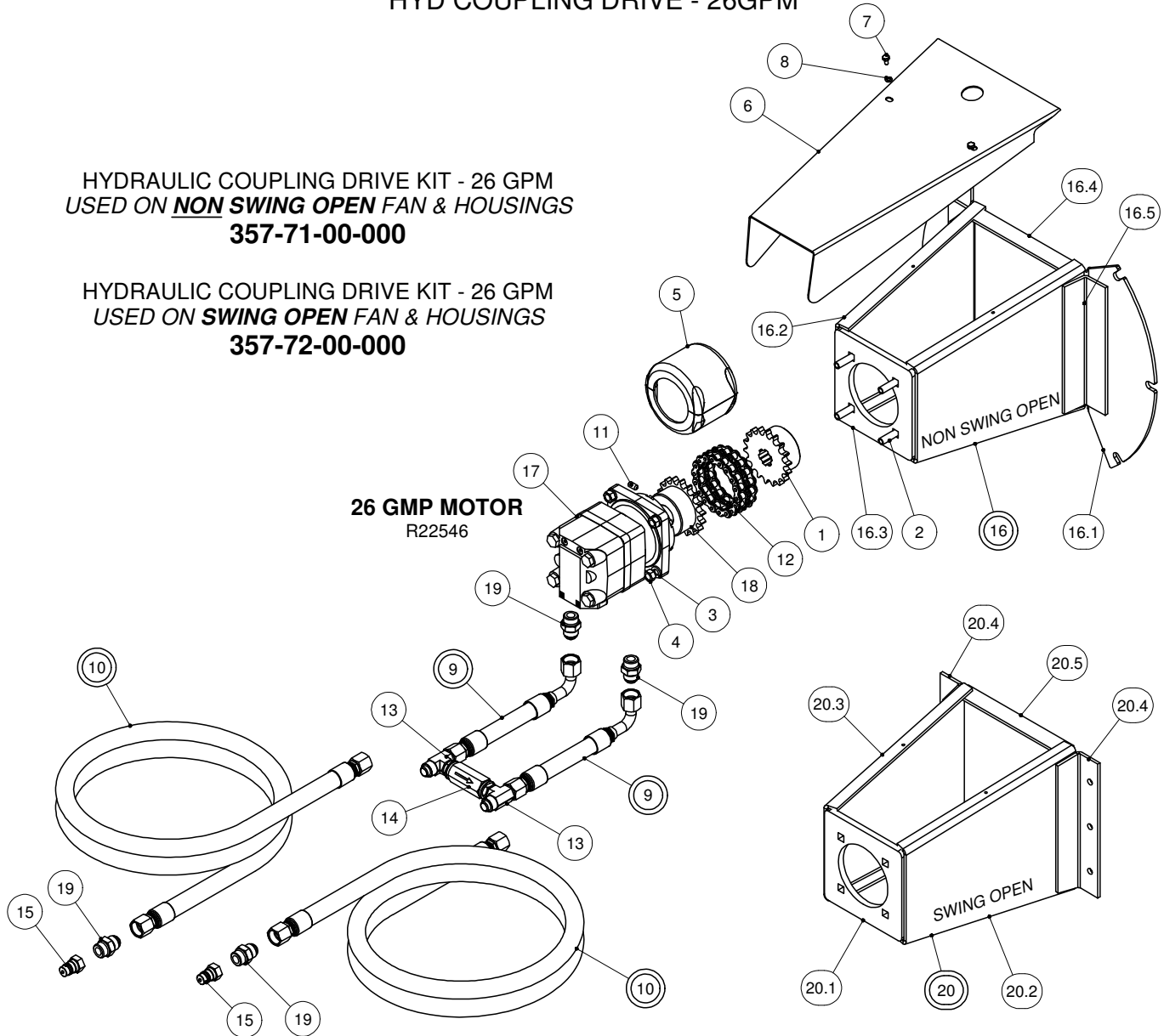
TANK VENT KIT
357-51-00-000
(OPTIONAL)

PARTS LIST				PARTS LIST			
ITEM	PART NUMBER	DESCRIPTION	QTY	ITEM	PART NUMBER	DESCRIPTION	QTY
1	357-51-01-000	VENT TUBE ASSY	1	4	357-51-00-258	LOWER STAINLESS STEEL WASHER	1
1.1	357-51-01-246	VENT TUBE	1	5	357-51-00-334	RUBBER PLUG	1
1.2	357-51-01-247	VENT STRAP	1	6	R07891	7/16 2-WAY LOCK NUT	1
1.3	357-51-01-248	INNER SLIDE TUBE	1	7	R07690	5/16 x 5/8 HEX BOLT	2
1.4	357-51-01-335	OUTER NIPPLE	1	8	357-51-00-249	SPRING	1
2	357-51-02-000	CAP ASSY	1	9	R07689	7/16 x 7 HEX BOLT	1
2.1	357-51-02-251	SLEEVE	1	10	R07833	7/16" SAE FLAT WASHER	2
2.2	357-51-02-252	ELBOW SECTION	2	11	R08178	7/16 NYLOCK HEX NUT	1
2.3	357-51-02-253	ELBOW MIDDLE SECTION	1	12	R02969	3 1/2" HALF COUPLER	1
3	357-51-00-250	STAINLESS STEEL WASHER	1				

HYD COUPLING DRIVE - 26GPM

HYDRAULIC COUPLING DRIVE KIT - 26 GPM
 USED ON **NON SWING OPEN FAN & HOUSINGS**
357-71-00-000

HYDRAULIC COUPLING DRIVE KIT - 26 GPM
 USED ON **SWING OPEN FAN & HOUSINGS**
357-72-00-000

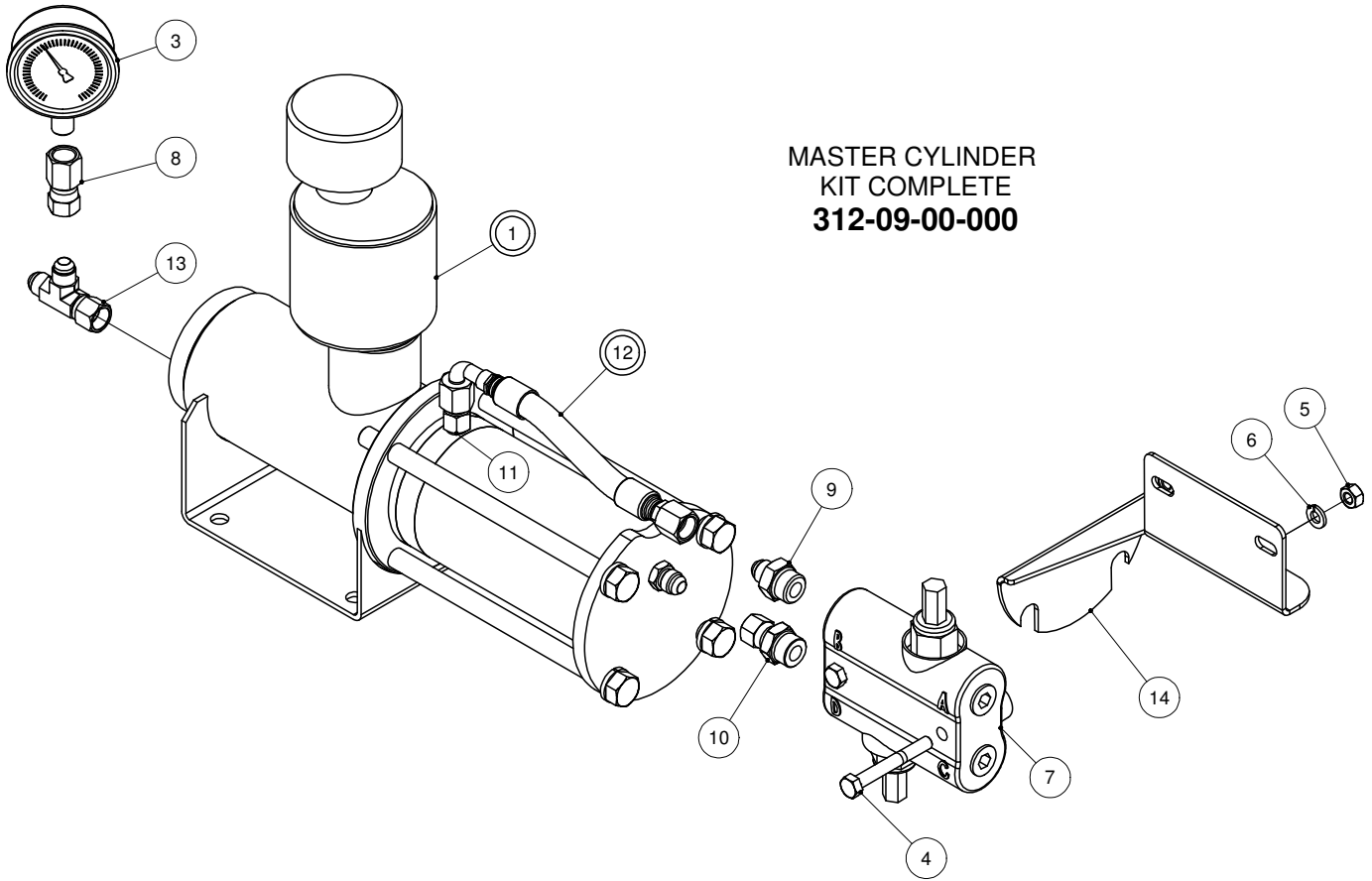


PARTS LIST				PARTS LIST			
ITEM	PART NUMBER	DESCRIPTION	QTY	ITEM	PART NUMBER	DESCRIPTION	QTY
1	384-02-00-072	SPROCKET FOR 6 TOOTH SPLINE	1	16	384-18-01-000	N.S.O. MOTOR MOUNT ASSY	1
2	R07744	1/2" x 2 CARRIAGE BOLT	4	16.1	384-18-01-273	LH EXTENSION PLATE	1
3	R07805	1/2 LOCK WASHER	4	16.2	384-18-01-274	RH LONG EXTENSION PLATE	1
4	R07785	1/2 HEX NUT	4	16.3	384-11-01-231	6000 & MLHT 160 SERIES MOUNT PLATE	1
5	R20617	60 - 18 COUPLING COVER	1	16.4	384-02-01-012	REINFORCING STRAP	2
6	384-02-00-005	GUARD	1	16.5	384-18-01-275	REINFORCING ANGLE	2
7	R07698	1/4 x 1/2 HEX BOLT	2	17	R22546	M+S HYD MOTOR - MLHT 160	1
8	R07801	1/4 LOCK WASHER	2	18	384-00-00-277	60B - 18 SPR.-1 1/2" STR SHAFT	1
9	364-48-32-000	3/4" HYD HOSE ASSY	2	19	R23098	ORB-12 x 3/4" JIC M. ADAPTOR	4
10	364-48-24-000	3/4" HYD HOSE ASSY	2	20	384-22-01-000	S.O. MOTOR MOUNT ASSY	1
11	R07911	3/8 x 3/4" SET SCREW	2	20.1	384-11-01-231	6000 & MLHT 160 SERIES MOUNT PLATE	1
12	R20883	60-18 COUPLING CHAIN	1	20.2	384-22-01-309	LH EXTENSION PLATE	1
13	R23066	3/4" X 3/4" JIC X ORB-12 M TEE	2	20.3	384-22-01-310	RH EXTENSION PLATE	1
14	R23328	ORB-12 IN-LINE CHECK VALVE	1	20.4	384-20-04-299	MOUNT ANGLE PLATES	2
15	R23182	MALE PIONEER TIP-ORB-10	2	20.5	384-02-01-012	REINFORCING STRAP	2

N.S.O = NON SWING OPEN

S.O. = SWING OPEN

MASTER CYLINDER KIT COMPLETE



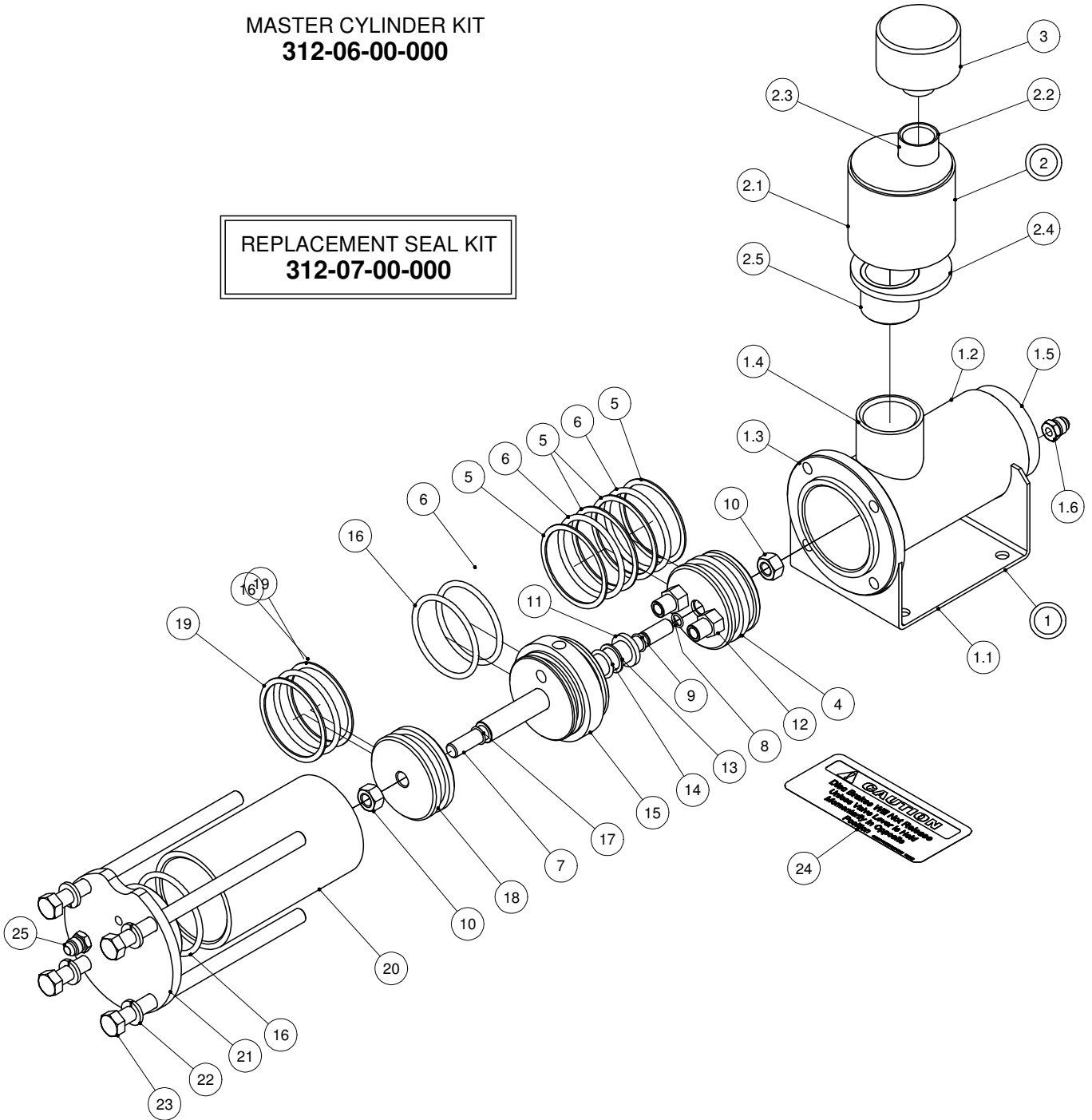
**MASTER CYLINDER
KIT COMPLETE
312-09-00-000**

PARTS LIST			
ITEM	PART NUMBER	DESCRIPTION	QTY
1	312-06-00-000	MASTER CYLINDER KIT	1
3	R21250	2 1/2" SS PRESSURE GAUGE 2000 PSI	1
4	R07614	5/16" x 2 1/2 HEX BOLT	2
5	R07812	5/16 HEX NUT	2
6	R07802	5/16 LOCK WASHER	2
7	R21209	DUAL RELIEF VALVE	1
8	R23214	3/8" JIC F. X 1/4" NPT F. SW ADAPTER	1
9	R23091	ORB-8 X 3/8" JIC M ADAPTOR	1
10	R23197	ORB-8 X 3/8" JIC F. SW ADAPTER	1
11	R23048	3/8" JIC M. x 1/4" NPT M.	1
12	312-06-05-000	HYD HOSE ASSY	1
13	R23219	3/8" M X 3/8"FSW X 3/8"M JIC TEE	1
14	312-09-00-063	RELIEF VALVE MOUNT PLATE	1

MASTER CYLINDER KIT

MASTER CYLINDER KIT
312-06-00-000

REPLACEMENT SEAL KIT
312-07-00-000



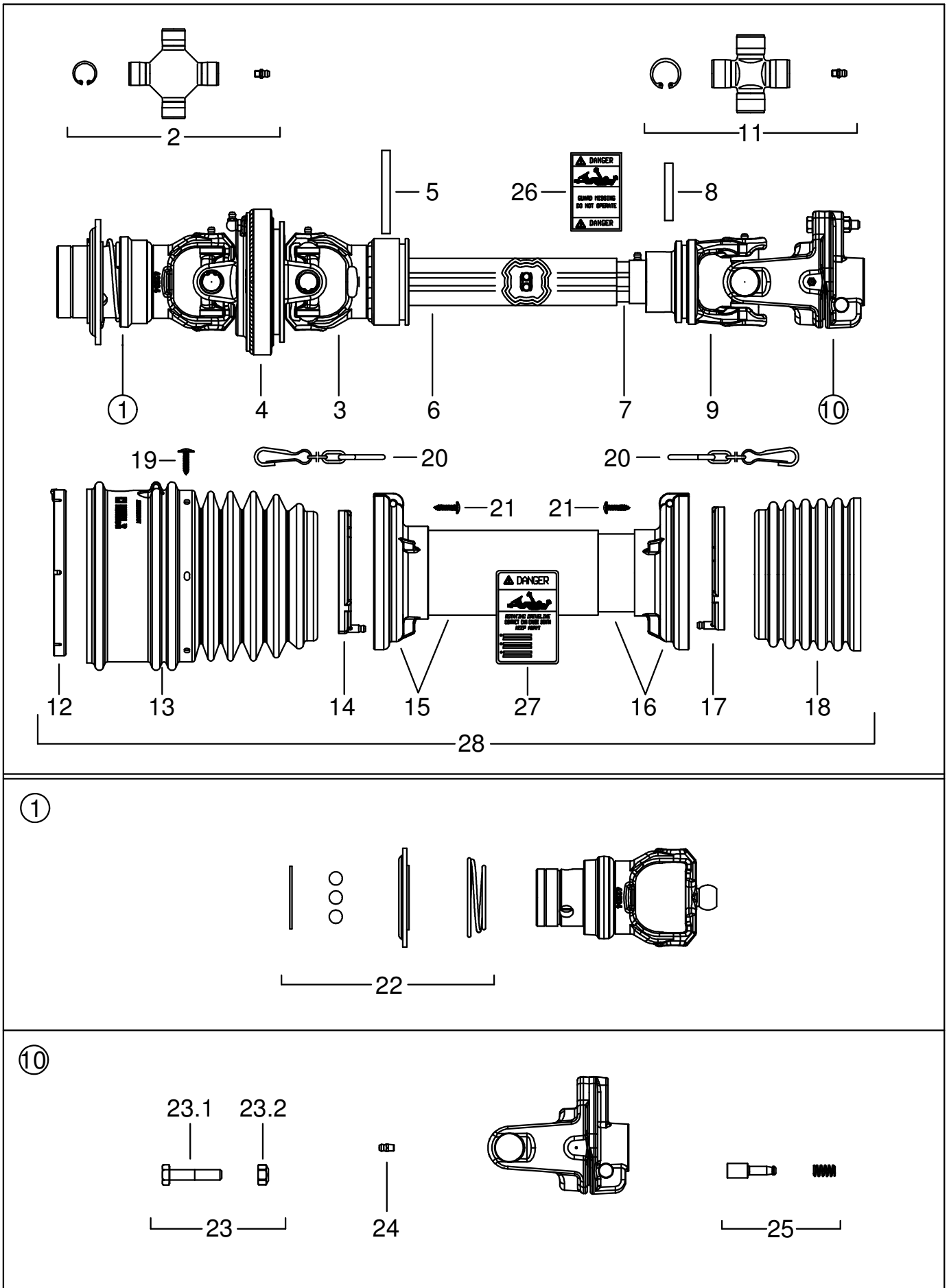
MASTER CYLINDER KIT

PARTS LIST			
ITEM	PART NUMBER	DESCRIPTION	QTY
1	312-06-02-000	MASTER CYLINDER TUBE ASSY	1
1.1	312-06-02-034	MOUNT PLATE	1
1.2	312-06-02-030	MASTER CYLINDER TUBE	1
1.3	312-06-02-031	MASTER CYLINDER FLANGE	1
1.4	312-06-02-033	COUPLER	1
1.5	312-06-02-032	MASTER CYLINDER END CAP	1
1.6	R23151	3/8" M. JIC WELD FITTING	1
2	312-06-03-000	RESEVOIR ASSY	1
2.1	312-06-03-041	RESERVOIR TUBE	1
2.2	312-06-03-045	RESERVOIR COUPLING	1
2.3	312-06-03-042	RESEVOIR TOP PLATE	1
2.4	312-06-03-043	RESEVOIR BOTTOM PLATE	1
2.5	312-06-03-046	RESERVOIR NIPPLE	1
3	R21103	FILLER BREATHER	1
4	312-06-00-039	MASTER CYLINDER PLUNGER	1
5	R20873	TEFLON BACK UP #334	4
6	R20868	EP "O" RING #334 (2 5/8 x 3/16")	3
7	312-06-00-040	SHAFT	1
8	R20869	EP "O" RING 012 (3/8 x 1/2 x 1/16")	1
9	R20870	EP "O" RING 014 (1/2 x 5/8 x 1/16")	1
10	R07885	1/2 - 2 WAY LOCK NUT	2
11	R20774	3/4" HYTREL ROD WIPER 52-750	1
12	R21207	3/8" CHECK VALVE	2
13	R20874	3/4" HYTREL ROD WIPER 52-750	1
14	R20871	EP "O" RING 210 (3/4 x 1 x 1/8")	1
15	312-06-00-037	CYLINDER DIVIDER BLOCK	1
16	R20836	"O" RING #11-334 (2 5/8 x 3 x 3/16")	3
17	R20865	O-RING #11-014	1
18	312-06-00-038	HYDRAULIC PLUNGER	1
19	R20837	BACK UP #8-334	2
20	312-06-00-035	HYDRAULIC CYLINDER TUBE	1
21	312-06-00-036	HYDRAULIC CYLINDER END CAP	1
22	R07805	1/2 LOCK WASHER	4
23	R08434	1/2 x 13 UNC x 8 1/2" HEX BOLT	4
24	R09689	"CAUTION" DECAL	1
25	R23151	3/8" M. JIC WELD FITTING	1

18000L BRAKE KIT

PARTS LIST			
ITEM	PART NUMBER	DESCRIPTION	QTY
1	340-17-16-000	HYDRAULIC BRAKE HOSE ASSY-REAR	2
1.1	340-17-16-391	REAR BRAKE HOSE	1
1.2	R23001	1/4" STEM X 3/8" JIC F. SW.	2
2	340-17-15-000	FRONT BRAKE HOSE ASSY	2
2.1	340-17-15-390	FRONT BRAKE HOSE	1
2.2	R23001	1/4" STEM X 3/8" JIC F. SW.	2
3	340-17-38-000	MAIN BRAKE LINE ASSY	1
3.1	340-17-38-544	MAIN HYD. BRAKE HOSE	1
3.2	R23001	1/4" STEM X 3/8" JIC F. SW.	2
4	312-09-00-000	MASTER CYLINDER KIT COMPLETE	1
5	340-17-39-000	HYD. HOSE MASTER CYL. TO TRACTOR	2
5.1	340-17-39-545	BRAKE HOSE	1
5.2	R23001	1/4" STEM X 3/8" JIC F. SW.	2
6	R21067	BRAKE PADS (PAIR)	4
7	340-08-10-332	CALIPER MOUNTING PLATE	4
8	340-08-10-334	CALIPER PLATE SUPPORT	8
9	R21066	LH DISC BRAKE CALIPER ASSY TC501	2
10	R21065	RH DISC BRAKE CALIPER ASSY TC500	2
11	R20098	BOLT ON BRAKE DISC	4
12	R21070	GUIDE PINS	8
13	R23181	FEMALE PIONEER COUPLER-ORB 8	1
14	312-06-00-047	MASTER CYLINDER MT BRACKET	1
15	R07619	3/8 x 1 HEX BOLT	4
16	R07803	3/8 LOCK WASHER	4
17	R07783	3/8 HEX NUT	4
18	R21104	HYD. HOSE CLIPS	12
19	R08301	1/4 x 20 UNC x 1/2" WELD STUD	12
20	R07781	1/4 HEX NUT	12
21	R07871	1/2 - 20 x 3 UNF SOCKET HEAD CAP SCREW	24
22	R23210	ORB-4 x 3/8" JIC M. 45° ELBOW	4
23	R23120	3/8"M X 3/8"M X 3/8" SW F JIC TEE	3
24	R23182	MALE PIONEER TIP-ORB-10	3
25	R23094	ORB-10 x 3/8" JIC M ADAPTOR	4
26	R23091	ORB-8 X 3/8" JIC M ADAPTOR	2

SPREADERS PTO - 2012



SPREADERS PTO - 2012

R21582 - 1 3/8" 6 TOOTH - 540 RPM

R21583 - 1 3/8" 21 TOOTH - 1000 RPM

R21584 - 1 3/4" 20 TOOTH - 1000 RPM

PARTS LIST				
ITEM	MFG #	PART NUMBER	DESCRIPTION	QTY
1	5730E0384	R22707	#4 1-3/8" CV YOKE - 6 TOOTH SLIDING YOKE COLLAR - 540rpm	1
	5730E3784	R22706	#4 1-3/8" CV YOKE - 21 TOOTH SLIDING YOKE COLLAR - 1000rpm	1
	5730E3884	R22708	#4 1-3/4" CV YOKE - 20 TOOTH SLIDING YOKE COLLAR - 1000rpm	1
2	4120E0051	R22709	#4 CROSS KIT - 22x86mm	2
3	2150E6871	R23381	#4 OUTER TUBE YOKE	1
4	5110E0052	R22711	#4 CENTRAL BODY-CV	1
5	341078000	R23382	FLEXIBLE ROLL PIN - 8x80mm	1
6	2253L1050	R23383	#4 OUTER DRIVE TUBE - L=1050mm	1
7	528S4R121WN	R23384	#4 INNER DRIVE TUBE - L=1075mm	1
8	341048000	R21476	FLEXIBLE ROLL PIN - 8x55mm	1
9	204S46853	R23385	#4 TUBE YOKE 4 LOBE - INNER	1
10	6060E0302	R22712	#4 SHEAR CLUTCH 1700Nm 1-3/8" 6T - PUSH PIN	1
11	4120E0012	R23386	#4 CROSS KIT - 27x74.6mm GREASE ZERK CAP	1
12	2550E0005	R23387	SHIELD OUTER BELL SUPPORT	1
13	2190E0121	R23388	CONE SHIELD BELL - OUTER	1
14	2550C0001	R23389	SHIELD SUPPORT - OUTER TUBE	1
15	5TWN3S4121U	R23390	#4 SHIELD TUBE & CONE - OUTER	1
16	5MWN3S4121U	R23391	#4 SHIELD TUBE & CONE - INNER	1
17	2550C0002	R23392	SHIELD SUPPORT - INNER TUBE	1
18	2190E0201	R23393	CONE SHIELD BELL - INNER	1
19	310001428	R22719	SCREW FLANGE HEAD - SELF TAP 4.8x22mm	6
20	252000050	R21738	SHIELD CHAIN w/ S-HOOK L=500mm	2
21	310001431	R23394	SCREW - SELF TAP 4.8x22mm	6
22	435000323	R22722	BALL COLLAR KIT 1-3/8" 6T & 1-3/8" 21T	1
	435000420	R22723	BALL COLLAR KIT 1-3/4" 20T	1
23	432000047	357-36-00-000	SHEAR BOLT & NUT - 5/PACK	1
23.1	-	R08251	M8x1.25x45 BOLT GR8.8 (NOT FOR INDIVIDUAL SALE)	1
23.2	-	R08252	M8x1.25 NYLOCK NUT (NOT FOR INDIVIDUAL SALE)	1
24	348017000	R21687	GREASE FITTING M6x1 STRAIGHT	1
25	403000001	R22724	COMPLETE PUSH PIN 1-3/8" 6T	1
26	399143000	R21523	DANGER SHIELD MISSING LABEL	1
27	399141000	R21521	DANGER ROTATING DRIVELINE LABEL	1
28	5CS4121U2WSG	R23395	COMPLETE SHIELD KIT	

HUSKY FARM EQUIPMENT LIMITED

ALMA, ON

NOB 1A0

PHONE: (519) 846-5329

FAX: (519) 846-9378

FIVE YEAR AXLE WARRANTY

Husky Farm Equipment Limited will guarantee for five (5) years from date of invoice, all Manure Spreader undercarriages and axle assemblies, if used on a farm for farm purposes.

Husky will replace free of charge:

1. Any part of the axle which should break or collapse through normal use.
2. Any spindles or hubs which should break through normal use.
3. Any wheel and rim assemblies which should fail through normal use.

Exempt from extended warranty are:

1. Any part of the axle which should break or collapse through overload. Overload includes: Any attachments (ie. injectors) and any product being transported in Spreader weighing more than 10 lb/gallon. (ie. manure mixed with sand).
2. Bearings and tires which are covered under normal warranty and do require maintenance to avoid failure.
3. Wheel or rim damage resulting from owner failing to keep wheel bolts tight.
4. Spindles damaged through bearing failure.
5. Any axle that is custom built.
6. Any axle used in commercial custom hauling applications.

To qualify for extended warranty, damaged parts must be returned to Husky Farm Equipment Limited, prepaid shipping, along with serial number and copy of the original invoice.

All parts supplied by Husky on warranty, will be shipped freight collect. Extended warranty covers damaged parts only and does not cause liability on Husky for any damage resulting from such failure.

TEN YEAR WARRANTY AGAINST RUSTOUT

Husky Farm Equipment provides a ten (10) year warranty from date of invoice, against premature perforation (rust out) of any liquid manure spreader manufactured. Providing the manure spreader is used for manure or sludge and not for chemical products.

Extended warranty is pro rated and will be paid only through the crediting off of the then current list price of a replacement manure spreader of the portion of warranty not used up in time.

Warranty will be effective toward replacing spreader only and no cash payment will be made. It will be understood that the original equipment to be replaced will then become property of Husky Farm Equipment Limited.

This extended warranty will be effective through Husky Farm Equipment factory or factory outlet only. A copy of the original invoice is to be supplied along with the serial number. This warranty will not be effective for commercial custom haulers or to owners other than the original.

Transportation to and from the factory is to be paid for by the owner of the equipment and not by Husky Farm Equipment Limited.