

Office Copy

12/17/2007

Date Purchased _____ Machine Serial No. _____

Feb 4/08 - 20 mo
Apr 22/08 - 11 "

Size of Spreader _____ Options _____

The key number system in this parts book is arranged as follows:

- ⊙ - Key numbers with two circles denotes main assemblies.
- - Key numbers with one circle are individual parts

Please order parts by number

HUSKY FARM EQUIPMENT

28000L ELITE SPREADER • 356-00-00-000

OPERATING INSTRUCTIONS:

1. Heed all warnings.
2. Minimum HP requirements to safely operate on level terrain, on hilly terrain HP should be increased.

4500L -----	70 HP
7000L -----	85 HP
9000L -----	95 HP
12000L -----	110 HP
14000L -----	130 HP
15000L -----	140 HP
18000L -----	160 HP
23000L -----	200 HP
28000L -----	250 HP

3. If machine is equipped with hydraulic brakes that are operated from the tractor hydraulics, they will not work should the tractor motor stop. Inspect brakes before each use. Brakes must be bled before initial use unless installed at factory. When releasing brakes the tractor hydraulic lever must be put in the opposing position to release pressure. Do no put in float position they will not release.
4. Tractor PTO spline must be approximately 14" (355mm) from end of compressed PTO for proper adjustment
5. Hitch tanker to tractor with minimum 1" (25mm) hardened hitch pin with a safety lock. Use 10,000 Lbs safety chain from spreader to tractor.
6. Do not use tongue stand to support loaded spreader. Put jack in storage position before using.
7. When hooking PTO to tractor make sure motor is stopped. Make sure QD (Quick Disconnect) safety locking pin is in locked position before using.
8. Clean off hose ends before plugging into tractor hydraulics. If spreader is equipped with hydraulic drive on spreading attachment, make sure tractor has sufficient oil flow and pressure to maintain satisfactory spread pattern, if not use another tractor.

OPERATING INSTRUCTIONS continued:

9. After using spreader in freezing conditions make sure impeller housing is drained.
10. Wash tank inside and out each time work is finished. This will increase the life of the tank by many years. See item 6 of Safety instructions
11. Do not drive on public roads after dusk unless equipped with lights required by Department of Transportation in your area.
12. Remove wheels annually and grease wheel bearings.
13. Because manure smells, many farmers have made unfriendly neighbours. If in a residential area a manure injector is a recommended option to bury the smell.
14. Much of the fertilizer value of manure is lost when exposed to air. Getting the manure covered quickly is a very important part of spreading manure.
15. If rustproof coating on interior shows signs of deterioration, have interior repainted. This can be done with a roller or brush. This helps to increase the life of your spreader. It is a valuable maintenance procedure.

SAFETY INSTRUCTIONS:

Do not operate this machine until you fully understand the safe operating practices.

1. Make sure all moving parts are shielded to prevent coming in contact with loose clothing.
2. Keep children clear; do not let children or any person(s) ride the spreader at anytime.
3. Do not support loaded spreader on tongue jack.
4. Keep tire pressure to recommended pressure at all times. Recommended tire pressure being:

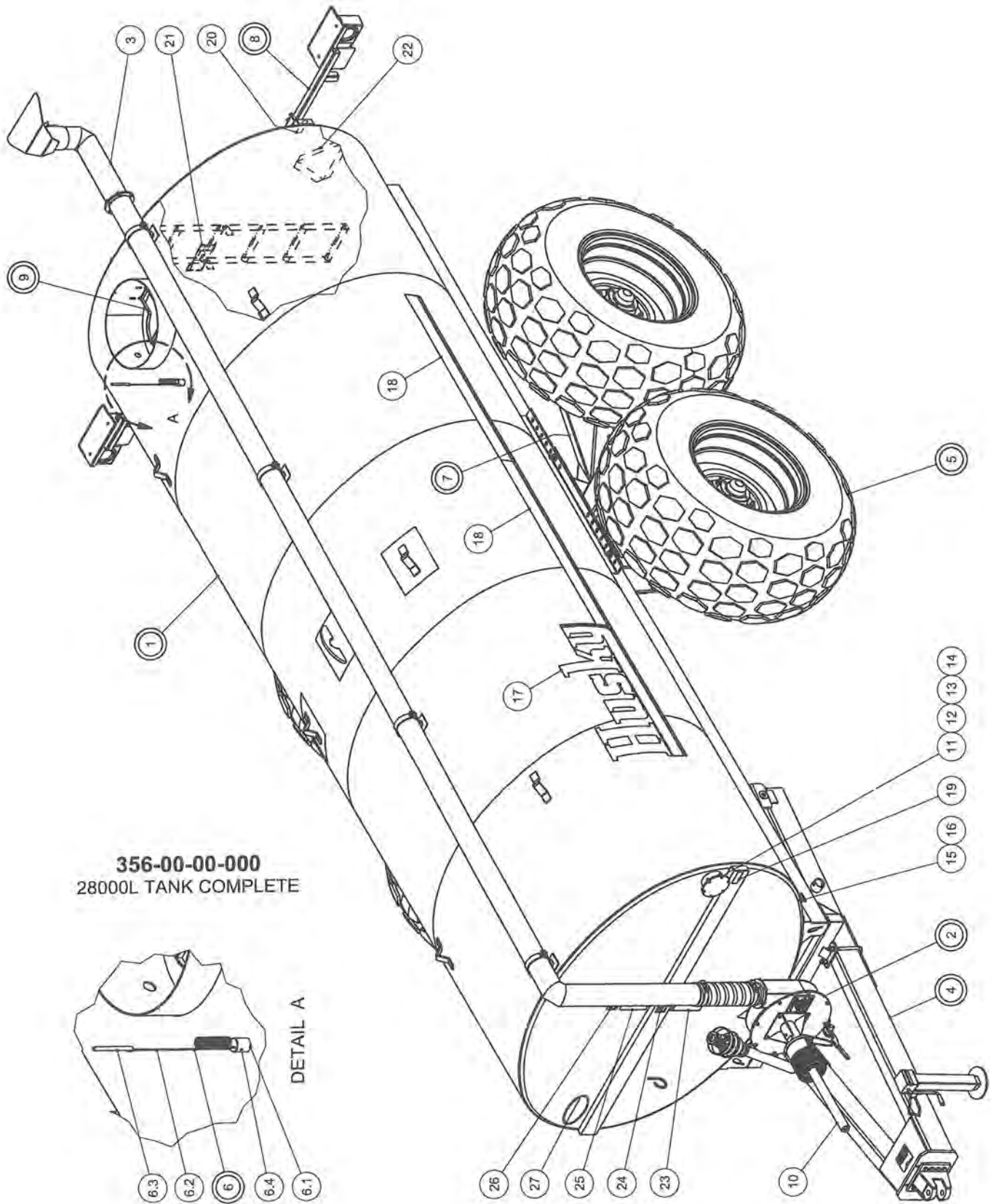
		Lbs	KPA
40 x 14	Airplane Tires	55	379
44 x 16	Airplane Tires	55	379
47 x 18 x 18	Airplane Tires	55	379
50 x 20 x 20	Airplane Tires	55	379
16.5L x 16.1	Implement Tires	35	241
21.5L x 16.1	Implement Tires	35	241
18.4L x 26	Turf Tires	30	207
23.1L x 26	Turf Tires	24	166
28L x 26	Turf Tires	24	166
30.54L x 32	Turf Tires	24	166
35.5L x 32	20 ply Turf Tires	32	220
18L x 22.5	Truck Tires	65	448
23.5L x 25	Loader Dozer Tires	55	379

5. Keep wheel bolts torqued to the recommended torque at all times. (Check Daily)

Wheel Bolt Size	Ft/Lbs Torque (Dry)	Ft/Lbs. - Oiled	Meter/Kg - Torque Dry	Meter/Kg - Oiled
9/16 - 18 NF GR. 5	120	90	16.59	12.44
5/8 - 18 NF GR. 8	240	180	33.18	24.89
3/4 - 16 NF GR. 8	420	310	58.07	42.86

6. Never enter a tanker without special breathing equipment to supply oxygen. Manure gases can kill instantly. One breath of Hydrogen Sulphide can kill.
7. When repairing hydraulic hoses, always relieve pressure in hose. Always wear safety glasses while working on spreader.
8. Caution - disc brakes will not release until valve lever is held momentarily in opposite position. This will relieve pressure in brake line. Do not put in float position, they will not release. (Rule does not apply to Husky Manure Spreaders equipped with a Knott Brake System)

28000L TANK COMPLETE



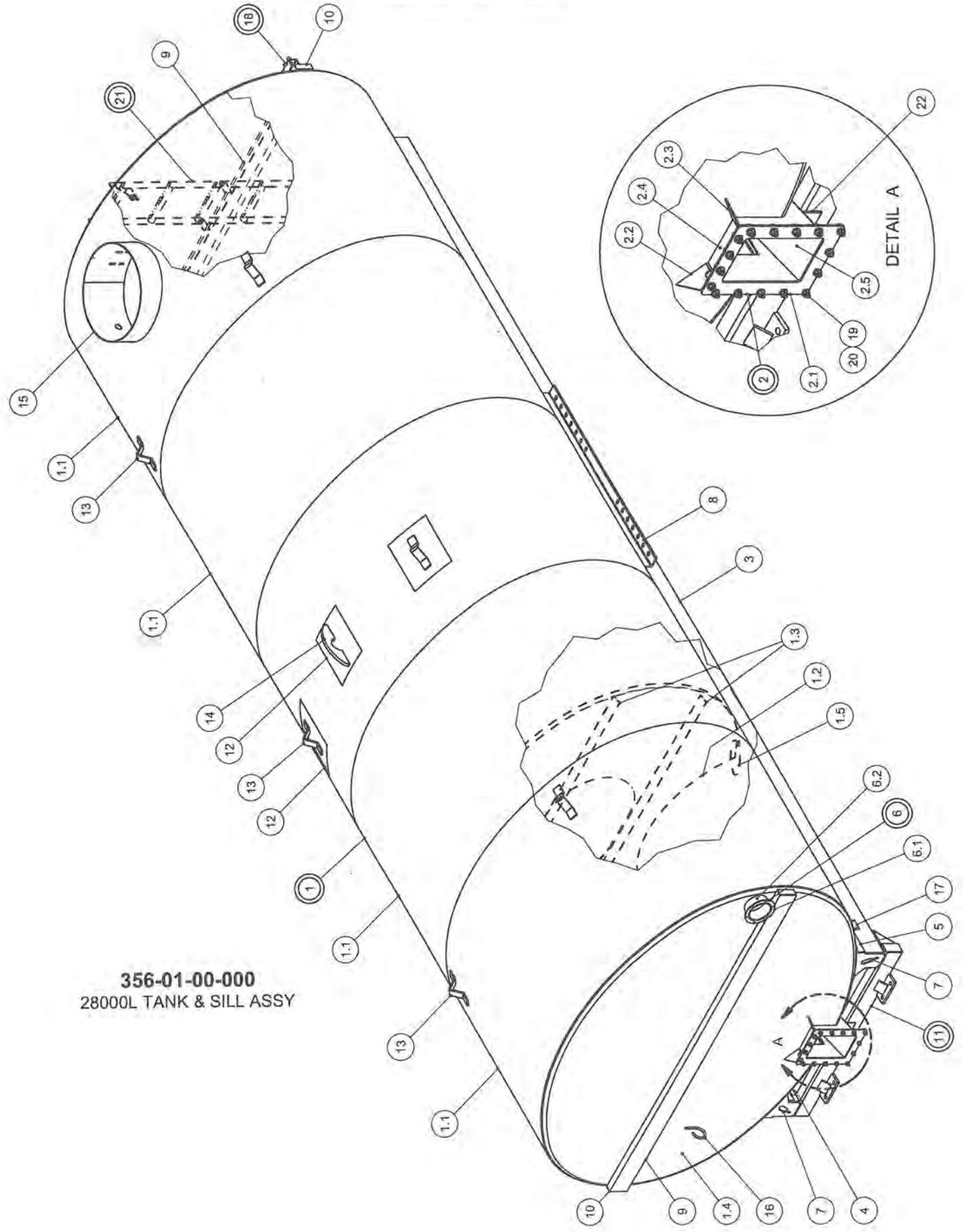
356-00-00-000
28000L TANK COMPLETE

DETAIL A

28000L TANK COMPLETE

PARTS LIST			
ITEM	PART NUMBER	DESCRIPTION	QTY
1	356-01-00-000	28000L TANK AND SILL ASSY	1
2	364-56-00-000	1000 FAN & HOUSING KIT	1
3	356-05-00-000	6" DISCHARGE PIPE KIT 28000L	1
4	357-29-00-000	TONGUE & HITCH KIT - EXTENDED	1
5	357-07-00-000	30.5L x 32 TIRE & WHEEL ASSY - 25000LB	4
6	340-62-00-000	INDICATOR KIT	1
6.1	340-00-00-536	FLAG SPRING HOLDER	1
6.2	R08037	SPRING FOR SPREADER FLAG	1
6.3	340-62-00-553	INDICATOR HOSE	1
6.4	R07926	5/16-18 x 1/4" SET SCREW	1
7	356-11-00-000	AXLE KIT FOR 30.5 X 32 TIRES	1
8	357-30-00-000	TAIL LIGHT KIT	1
9	357-63-00-000	SAFETY BAR ASSY	1
10	R21583	PTO - 1000 RPM	1
11	330-00-00-559	ACCESS TUBE COVER PLATE	1
12	R07675	3/8 x 1 1/4 UNC HEX BOLT	6
13	R07803	3/8" LOCK WASHER	6
14	R07783	3/8-16 UNC HEX NUT	6
15	R09071	SERIAL NUMBER PLATE	1
16	R08152	6 x 1/4 PAN HD SOCKET SCREW	2
17	R09510	"HUSKY" DECAL	2
18	R09511	ACCENT STRIP	4
19	R10097	AMBER REFLECTOR	1
20	R10096	RED REFLECTOR	2
21	R10334	TOXIC GAS PICTORAL DECAL	1
22	R09501	SLOW MOVING VEHICLE DECAL	1
23	R09783	"CAUTION" DECAL	1
24	R09512	CAPACITY DECAL	1
25	R09730	TORQUE, TIRE PRESSURE DECAL	1
26	R09509	"MADE IN CANADA" DECAL - LARGE	1
27	R10335	MANURE SPILL DECAL	1

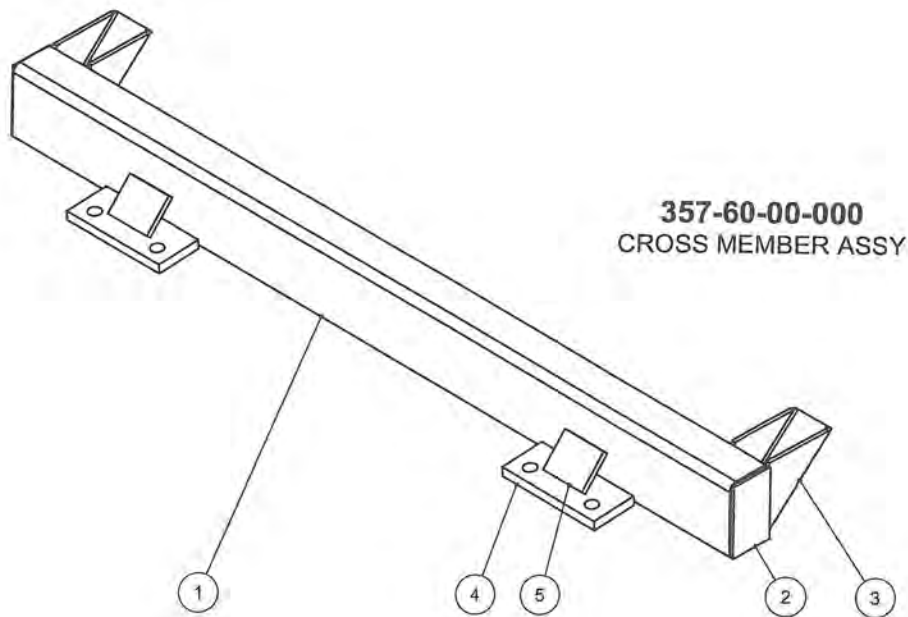
28000L TANK ASSY



356-01-00-000
28000L TANK & SILL ASSY

28000L TANK ASSY

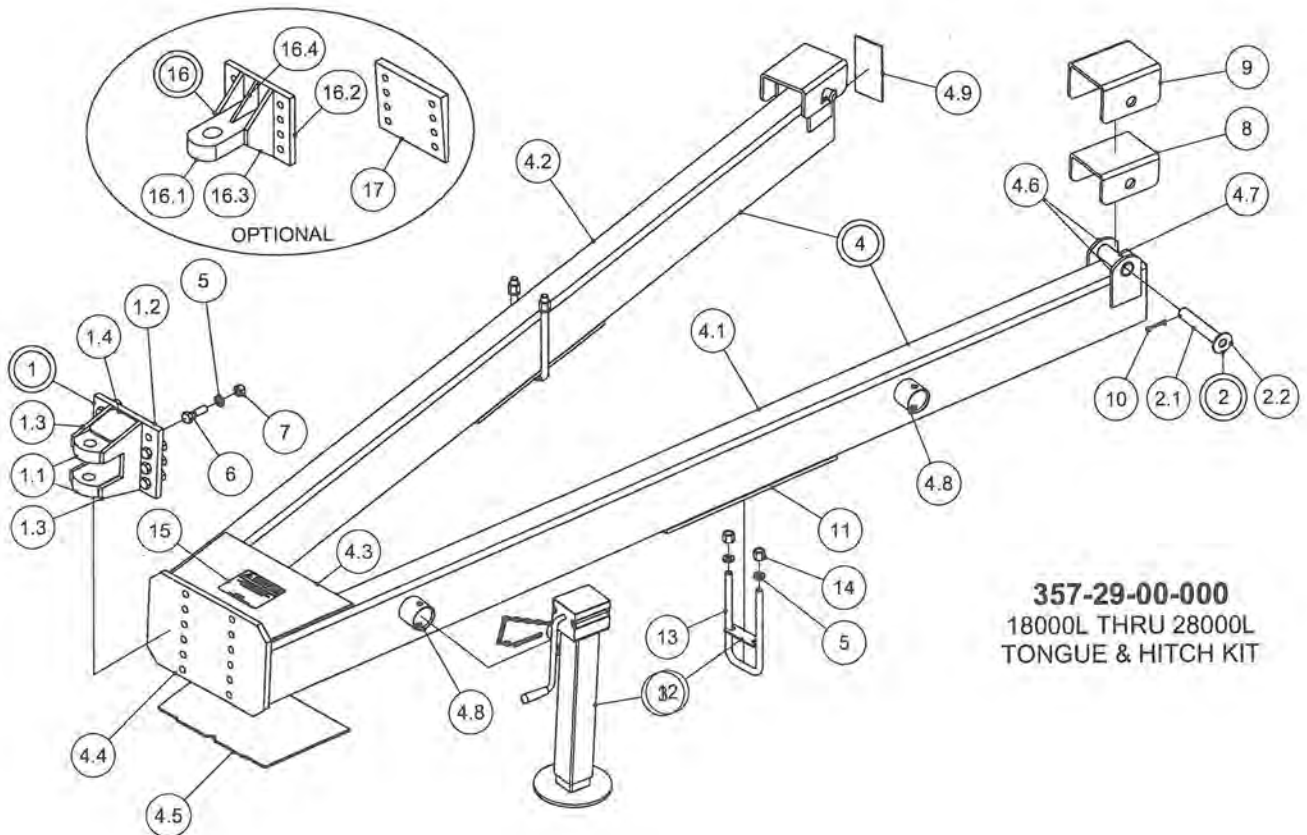
PARTS LIST				PARTS LIST			
ITEM	PART NUMBER	DESCRIPTION	QTY	ITEM	PART NUMBER	DESCRIPTION	QTY
1	356-01-01-000	28000 TANK ASSY	1	6.2	330-20-03-556	ACCESS TUBE	1
1.1	357-01-01-120	TANK SHELL	5	7	357-01-00-265	SILL CAP FOR 5 x 7 TUBE	4
1.2	340-01-01-302	FLANGED TANK BAFFLE	3	8	364-02-00-280	AXLE ADJUSTMENT ANGLE	2
1.3	340-01-01-557	BAFFLE REINFORCING BAR	6	9	340-01-06-312	TANK END STIFFENER	2
1.4	340-01-01-300	FLANGED TANK END	2	10	340-01-06-464	TANK STIFFENER CAP	4
1.5	340-01-01-559	OVAL REINFORCING PLATE	6	11	357-60-00-000	CROSS MEMBER ASSY	1
2	364-82-00-000	FLANGED TANK OUTLET	1	12	340-01-00-546	LIFT HOOK REINFORCING PLATE	3
2.1	364-81-02-393	HOUSING FLANGE	1	13	300-01-00-012	TANK LIFT HOOK	6
2.2	364-82-00-395	LH OUTLET SIDE PC	1	14	340-01-00-555	CENTER LIFT HOOK	1
2.3	364-82-00-396	RH OUTLET SIDE PC	1	15	364-02-00-006	24" MANHOLE	1
2.4	364-01-03-104	OUTLET TOP PC	1	16	315-30-00-108	HYD. HOSE HOOK	1
2.5	364-01-03-105	OUTLET BOTTOM PC	1	17	340-01-00-498	SERIAL NO. BACK PLATE	1
3	356-01-00-028	28000L SILL	2	18	357-30-03-000	MOUNT BRKT ASSY	2
4	356-01-00-029	INNER SILL REINFORCING PLATE	6	19	R07674	1/2 x 1 1/4 UNC HEX BOLT	16
5	356-01-00-030	OUTER SILL REINFORCING PLATE	6	20	R07795	1/2-13 UNC FLANGE NUT	16
6	330-20-03-000	ACCESS TUBE ASSY	1	21	364-95-00-000	LADDER ASSY	1
6.1	330-20-03-560	ACCESS TUBE FLANGE	1	22	364-00-00-558	TANK OUTLET BRACE	1



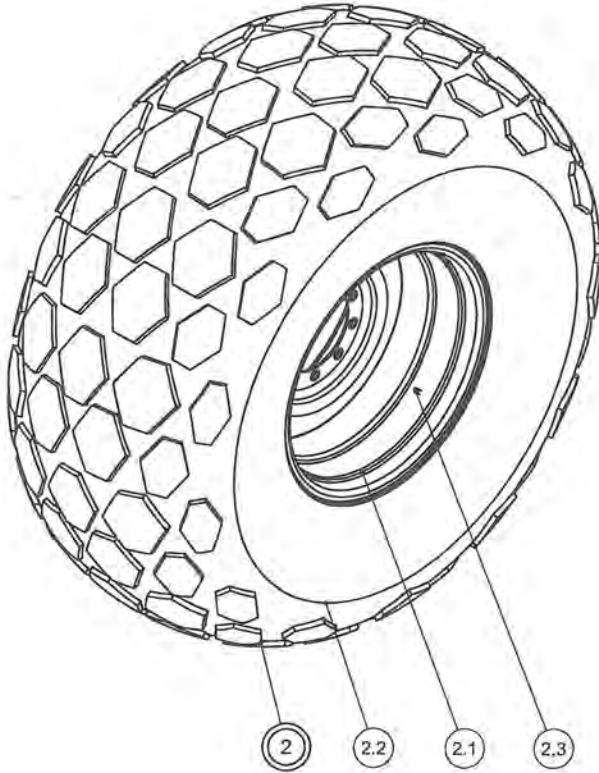
PARTS LIST			
ITEM	PART NUMBER	DESCRIPTION	QTY
1	357-60-00-290	CROSS MEMBER	1
2	357-60-00-291	END CAP	2
3	357-60-00-292	DOUBLE GUSSET	2
4	357-28-00-168	TONGUE STRAP	2
5	364-02-17-123	TONGE STRAP GUSSET	2

18000L THRU 28000L TONGUE & HITCH KIT

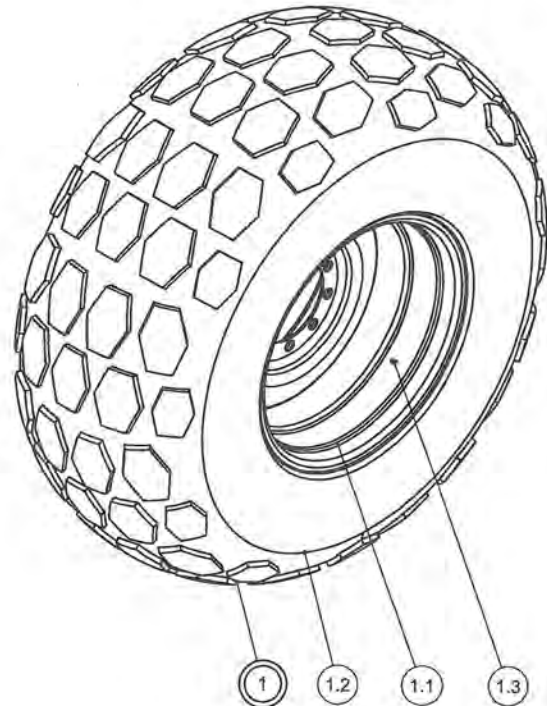
PARTS LIST				PARTS LIST			
ITEM	PART NUMBER	DESCRIPTION	QTY	ITEM	PART NUMBER	DESCRIPTION	QTY
1	358-43-00-000	HITCH ASSY	1	4.9	315-36-00-147	TONGUE TUBE COVER	2
1.1	358-43-00-140	HITCH PLATE	2	5	R07807	3/4" LOCK WASHER	12
1.2	358-43-00-139	HITCH BACK PLATE	1	6	R07655	3/4 x 2 1/2 HEX BOLT	8
1.3	358-43-00-141	HITCH SIDE GUSSET	2	7	R07787	3/4 - 10 UNC HEX NUT	8
1.4	358-43-00-142	HITCH UPPER GUSSET	2	8	315-31-00-115	TONGUE "U" PC	2
2	315-39-00-000	LOCK PIN ASSY	2	9	394-03-00-014	TONGUE "U" PC (USED ON 18000L SL)	2
2.1	315-39-00-155	TONGUE LOCK PIN	1	10	R08016	1/4 x 2 COTTER PIN	2
2.2	R07828	1" FLAT WASHER	1	11	357-00-00-129	TONGUE REINFORCING PLATE	2
3	357-14-00-000	8000 LB JACK KIT	1	12	364-00-00-131	U - BOLT SPACER	2
4	357-27-00-000	TONGUE ASSY	1	13	R08172	3/4" UNF x 10" - "U" BOLT	2
4.1	357-27-00-165	LH TONGUE TUBE	1	14	R07820	3/4" FED. HIGH HEX NUT	4
4.2	357-27-00-164	RH TONGUE TUBE	1	15	R09672	CAUTION PTO LENGTH DECAL	1
4.3	357-27-00-166	UPPER TONGUE TUBE GUSSET	1	16	358-44-00-000	SINGLE POINT HITCH ASSY	1
4.4	358-42-00-137	HITCH BOLT PLATE	1	16.1	364-26-00-091	SINGLE POINT HITCH	1
4.5	357-27-00-310	LOWER TONGUE TUBE GUSSET	1	16.2	358-43-00-139	HITCH BACK PLATE	1
4.6	315-36-00-146	TONGUE SIDE PC	4	16.3	358-44-00-144	SIDE GUSSET	2
4.7	315-36-00-145	TONGUE BUSHING	2	16.4	358-44-00-145	TOP GUSSET	2
4.8	364-35-00-245	TONGUE JACK BRKT	2	17	358-00-00-143	WEDGE PLATE	1



23000L & 28000L TIRES



35.5 x 32 TIRE & WHEEL ASSY
356-08-00-000
 (OPTIONAL)



30.5 x 32 TIRE & WHEEL ASSY
357-07-00-000

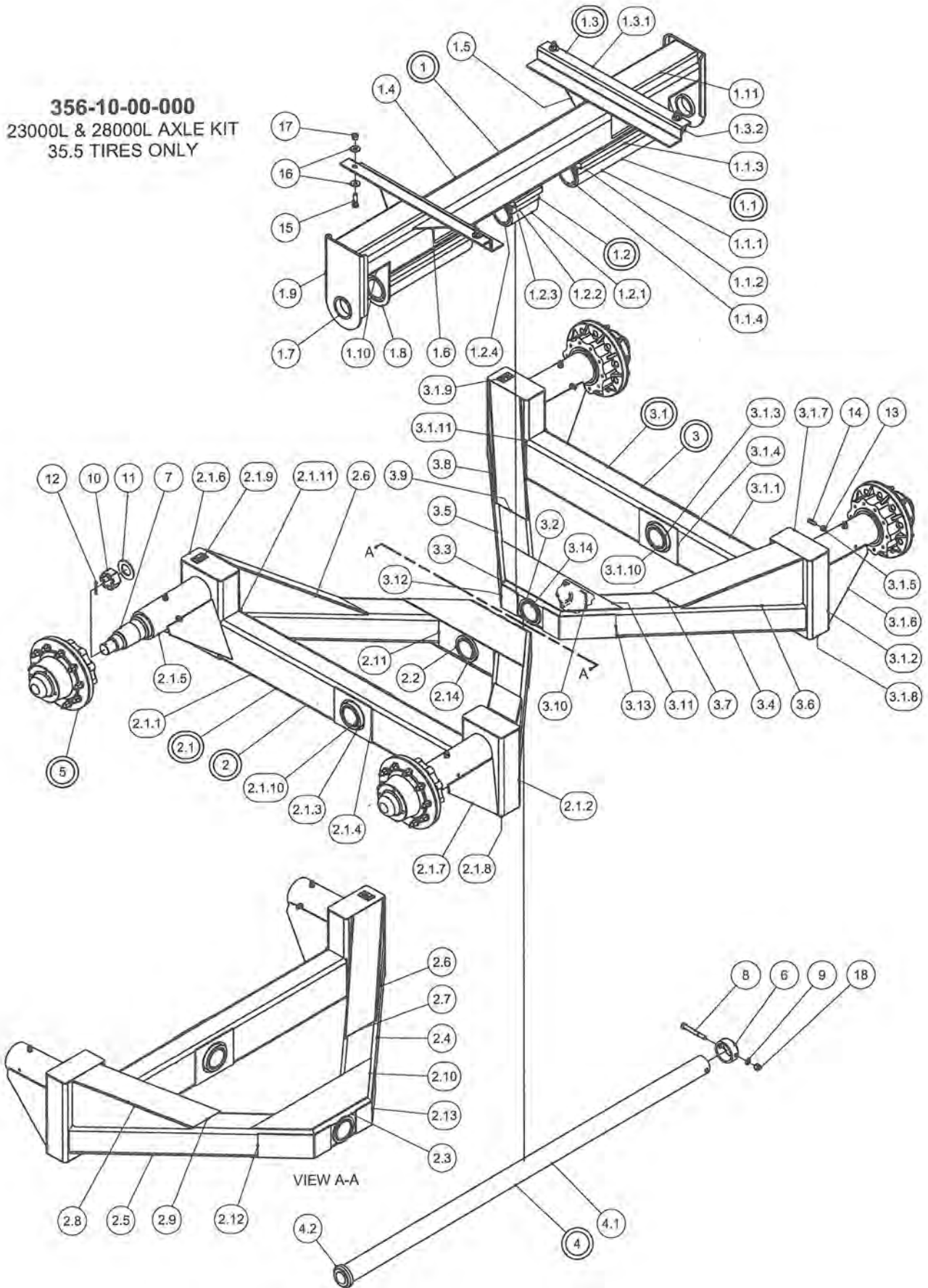
PARTS LIST			
ITEM	PART NUMBER	DESCRIPTION	QTY
1	357-07-00-000	30.5L x 32 TIRE & WHEEL ASSY - 25000LB	4
1.1	R22071	30.5 - 25000lb RIM	1
1.2	R22070	30.5L x 32 R3 12 PLY TIRE	1
1.3	R20161	VALVE STEM	1
2	356-08-00-000	35.5L x 32 TIRE & WHEEL ASSY - 25000LB	4
2.1	R22090	35.5 - 25000lb RIM	1
2.2	R22089	35.5L x 32 TIRE	1
2.3	R20161	VALVE STEM	1

23000L AXLE KIT

PARTS LIST				PARTS LIST			
ITEM	PART NUMBER	DESCRIPTION	QTY	ITEM	PART NUMBER	DESCRIPTION	QTY
1	356-10-01-000	BASE FRAME ASSY	1	2.13	356-11-01-082	FRONT GUSSET CAP	1
1.1	356-09-06-000	OUTER SLEEVE ASSY	2	2.14	356-11-01-083	INNER SUPPORT PLATE	1
1.1.1	356-09-06-055	OUTER TUBE	1	3	356-11-03-000	RH TANDEM SIDE ASSY-30.5	1
1.1.2	356-09-06-054	OUTER SLEEVE HOLDER	1	3.1	356-11-04-000	RH WALKING BEAM-30.5	1
1.1.3	356-09-06-053	OUTER SPACER BAR	1	3.1.1	356-11-02-072	WALKING BEAM	1
1.1.4	356-09-06-069	INNER CENTER SLEEVE	1	3.1.2	356-09-02-035	WALKING BEAM END TUBE	2
1.2	356-09-07-000	CENTER SLEEVE ASSY	1	3.1.3	356-09-02-036	WALKER SLEEVE	1
1.2.1	356-09-07-058	INNER TUBE	1	3.1.4	356-09-02-037	REINFORCING PLATE	2
1.2.2	356-09-07-057	INNER SLEEVE HOLDER	1	3.1.5	356-07-02-012	SPINDLE SLEEVE FOR 5 1/2" SPINDLE	2
1.2.3	356-09-07-056	INNER SPACER BAR	1	3.1.6	356-09-02-039	SMALL SPINDLE SLEEVE GUSSET	4
1.2.4	356-09-07-068	INNER CENTER SLEEVE	1	3.1.7	394-01-03-017	COVER PLATE	2
1.3	330-69-01-000	SILL "Z" PLATE ASSY	2	3.1.8	356-09-02-040	BOTTOM CAP	2
1.3.1	358-85-00-253	SILL "Z" PLATE	1	3.1.9	358-01-00-401	"FRONT" PLATE	1
1.3.2	330-69-00-550	GUSSET	2	3.1.10	356-09-02-070	INNER WALKER SLEEVE	1
1.4	356-10-01-061	CROSS AXLE SUPPORT	1	3.1.11	356-09-02-060	FILLER BAR	4
1.5	340-07-00-330	DOUBLE GUSSET	4	3.2	356-09-01-041	INNER WALKER SLEEVE	1
1.6	358-03-00-355	GUSSET	4	3.3	356-09-01-071	INSIDE INNER WALKER SLEEVE	1
1.7	356-10-01-062	SUPPORT SLEEVE	2	3.4	356-11-01-073	MIDDLE CONNECTOR TUBE	1
1.8	356-10-01-063	INNER END CAP	2	3.5	356-11-01-074	FRONT TANDEM ARM	1
1.9	356-10-01-064	END CAP w/ HOLE	2	3.6	356-11-01-075	REAR TANDEM ARM	1
1.10	356-10-01-065	FILLER PLATE	2	3.7	356-11-01-077	REAR TIE PLATE	1
1.11	356-10-01-067	"U" SUPPORT PC	2	3.8	356-11-01-078	FRONT TIE PLATE	1
2	356-11-01-000	LH TANDEM SIDE ASSY-30.5	1	3.9	356-11-01-076	TOP GUSSET	2
2.1	356-11-02-000	LH WALKING BEAM ASSY-30.5	1	3.10	356-11-01-080	FRONT TANDEM ARM GUSSET	2
2.1.1	356-11-02-072	WALKING BEAM	1	3.11	356-11-01-079	REAR TANDEM ARM GUSSET	2
2.1.2	356-09-02-035	WALKING BEAM END TUBE	2	3.12	356-11-01-082	FRONT GUSSET CAP	1
2.1.3	356-09-02-036	WALKER SLEEVE	1	3.13	356-11-01-081	REAR GUSSET CAP	1
2.1.4	356-09-02-037	REINFORCING PLATE	2	3.14	356-11-01-083	INNER SUPPORT PLATE	1
2.1.5	356-07-02-012	SPINDLE SLEEVE FOR 5 1/2" SPINDLE	2	4	356-10-02-000	MAIN AXLE TUBE ASSY	1
2.1.6	394-01-03-017	COVER PLATE	2	4.1	356-10-02-066	MAIN AXLE TUBE	1
2.1.7	356-09-02-039	SMALL SPINDLE SLEEVE GUSSET	4	4.2	340-63-00-538	STOP RING	1
2.1.8	356-09-02-040	BOTTOM CAP	2	5	357-06-00-000	25000 LB HUB COMPLETE	4
2.1.9	358-01-00-401	"FRONT" PLATE	1	6	357-00-00-118	RETAINING RING	1
2.1.10	356-09-02-070	INNER WALKER SLEEVE	1	7	R07660	3/4 x 6" HEX BOLT	1
2.1.11	356-09-02-060	FILLER BAR	4	8	R07807	3/4" LOCK WASHER	1
2.2	356-09-01-041	INNER WALKER SLEEVE	1	9	R07787	3/4 - 10 UNC HEX NUT	1
2.3	356-09-01-071	INSIDE INNER WALKER SLEEVE	1	10	R07786	5/8 HEX NUT	8
2.4	356-11-01-073	MIDDLE CONNECTOR TUBE	1	11	R07927	5/8 x 1 1/2 SQ. HD. SET SCREW	8
2.5	356-11-01-074	FRONT TANDEM ARM	1	12	R07827	3/4" FLAT WASHER	8
2.6	356-11-01-075	REAR TANDEM ARM	1	13	R07655	3/4 x 2 1/2 HEX BOLT	4
2.7	356-11-01-076	TOP GUSSET	2	14	R07878	3/4 NYLOCK NUT	4
2.8	356-11-01-077	REAR TIE PLATE	1	15	357-00-00-196	25000 LB SPINDLE	4
2.9	356-11-01-078	FRONT TIE PLATE	1	16	357-00-00-128	SPINDLE WASHER	4
2.10	356-11-01-079	REAR TANDEM ARM GUSSET	2	17	R22047	SPINDLE NUT 2 1/2" - 12UN	4
2.11	356-11-01-080	FRONT TANDEM ARM GUSSET	2	18	R07987	3/8 x 3" ROLL PIN	4
2.12	356-11-01-081	REAR GUSSET CAP	1				

23000L & 28000L AXLE

356-10-00-000
 23000L & 28000L AXLE KIT
 35.5 TIRES ONLY

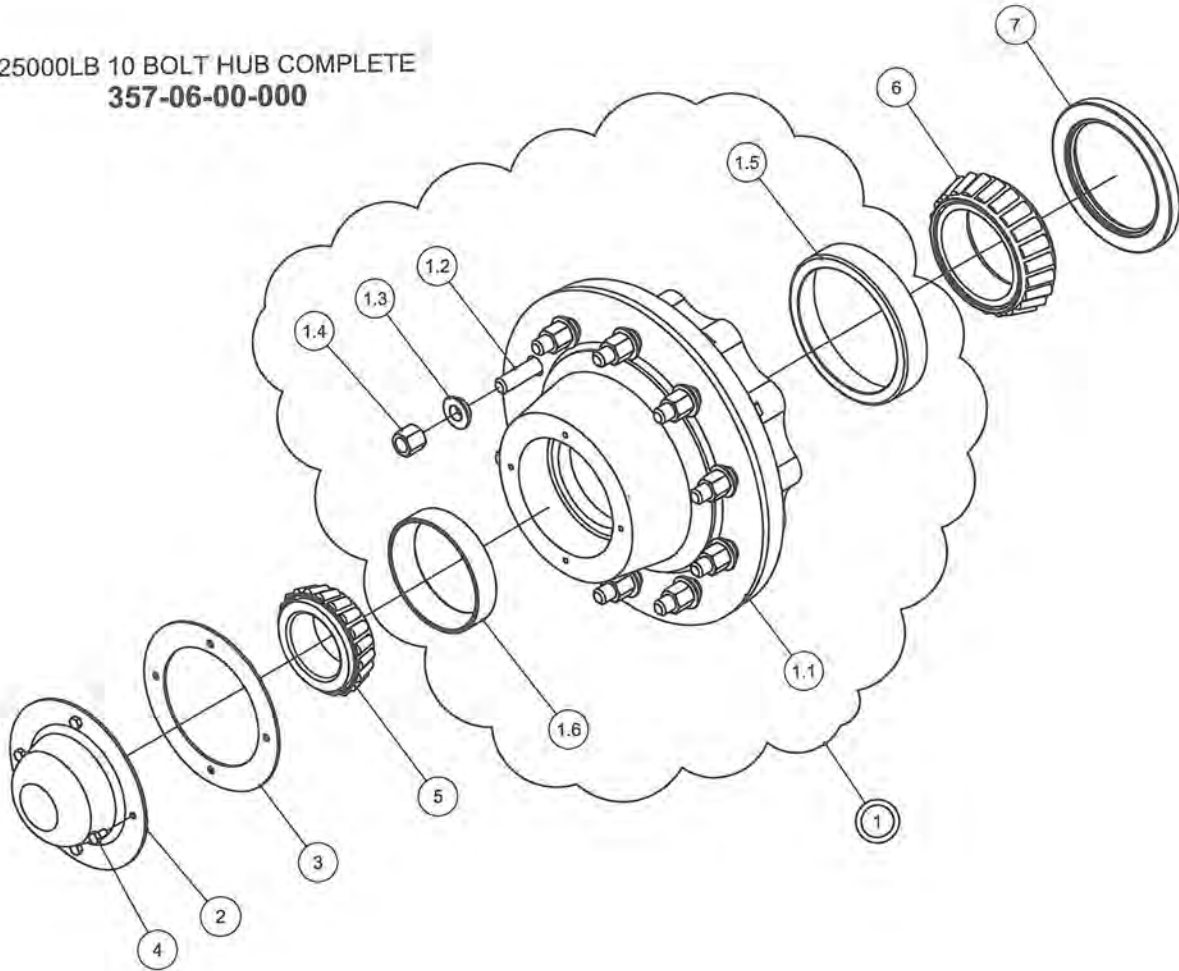


23000L & 28000L AXLE

PARTS LIST				PARTS LIST			
ITEM	PART NUMBER	DESCRIPTION	QTY	ITEM	PART NUMBER	DESCRIPTION	QTY
1	356-10-01-000	BASE FRAME ASSY	1	2.13	356-09-01-045	FRONT TIE PLATE	1
1.1	356-09-06-000	OUTER SLEEVE ASSY	2	2.14	356-09-01-071	INSIDE INNER WALKER SLEEVE	1
1.1.1	356-09-06-055	OUTER TUBE	1	3	356-09-03-000	RH TANDEM SIDE ASSY	1
1.1.2	356-09-06-054	OUTER SLEEVE HOLDER	1	3.1	356-09-04-000	RH WALKING BEAM	1
1.1.3	356-09-06-053	OUTER SPACER BAR	1	3.1.1	356-09-02-034	WALKING BEAM	1
1.1.4	356-09-06-069	INNER CENTER SLEEVE	1	3.1.2	356-09-02-035	WALKING BEAM END TUBE	2
1.2	356-09-07-000	CENTER SLEEVE ASSY	1	3.1.3	356-09-02-036	WALKER SLEEVE	1
1.2.1	356-09-07-058	INNER TUBE	1	3.1.4	356-09-02-037	REINFORCING PLATE	2
1.2.2	356-09-07-057	INNER SLEEVE HOLDER	1	3.1.5	356-07-02-012	SPINDLE SLEEVE FOR 5 1/2" SPINDLE	2
1.2.3	356-09-07-056	INNER SPACER BAR	1	3.1.6	356-09-02-039	SMALL SPINDLE SLEEVE GUSSET	4
1.2.4	356-09-07-068	INNER CENTER SLEEVE	1	3.1.7	394-01-03-017	COVER PLATE	2
1.3	330-69-01-000	SILL "Z" PLATE ASSY	2	3.1.8	356-09-02-040	BOTTOM CAP	2
1.3.1	358-85-00-253	SILL "Z" PLATE	1	3.1.9	358-01-00-401	"FRONT" PLATE	1
1.3.2	330-69-00-550	GUSSET	2	3.1.10	356-09-02-070	INNER WALKER SLEEVE	1
1.4	356-10-01-061	CROSS AXLE SUPPORT	1	3.1.11	356-09-02-060	FILLER BAR	4
1.5	340-07-00-330	DOUBLE GUSSET	4	3.2	356-09-01-041	INNER WALKER SLEEVE	1
1.6	358-03-00-355	GUSSET	4	3.3	356-09-01-042	MIDDLE CONNECTOR TUBE	1
1.7	356-10-01-062	SUPPORT SLEEVE	2	3.4	356-09-01-044	REAR TANDEM ARM	1
1.8	356-10-01-063	INNER END CAP	2	3.5	356-09-01-043	FRONT TANDEM ARM	1
1.9	356-10-01-064	END CAP w/ HOLE	2	3.6	356-09-01-050	REAR TANDEM ARM GUSSET	2
1.10	356-10-01-065	FILLER PLATE	2	3.7	356-09-01-052	REAR TOP FILLER PLATE	1
1.11	356-10-01-067	"U" SUPPORT PC	2	3.8	356-09-01-049	FRONT TANDEM ARM GUSSET	2
2	356-09-01-000	LH TANDEM SIDE ASSY	1	3.9	356-09-01-051	FRONT TOP FILLER PLATE	1
2.1	356-09-02-000	LH WALKING BEAM ASSY	1	3.10	356-09-01-048	INNER SUPPORT PLATE	1
2.1.1	356-09-02-034	WALKING BEAM	1	3.11	356-09-01-047	TOP GUSSET	2
2.1.2	356-09-02-035	WALKING BEAM END TUBE	2	3.12	356-09-01-045	FRONT TIE PLATE	1
2.1.3	356-09-02-036	WALKER SLEEVE	1	3.13	356-09-01-046	REAR TIE PLATE	1
2.1.4	356-09-02-037	REINFORCING PLATE	2	3.14	356-09-01-071	INSIDE INNER WALKER SLEEVE	1
2.1.5	356-07-02-012	SPINDLE SLEEVE FOR 5 1/2" SPINDLE	2	4	356-10-02-000	MAIN AXLE TUBE ASSY	1
2.1.6	394-01-03-017	COVER PLATE	2	4.1	356-10-02-066	MAIN AXLE TUBE	1
2.1.7	356-09-02-039	SMALL SPINDLE SLEEVE GUSSET	4	4.2	340-63-00-538	STOP RING	1
2.1.8	356-09-02-040	BOTTOM CAP	2	5	357-06-00-000	25000 LB HUB COMPLETE	4
2.1.9	358-01-00-401	"FRONT" PLATE	1	6	357-00-00-118	RETAINING RING	1
2.1.10	356-09-02-070	INNER WALKER SLEEVE	1	7	357-00-00-196	25000 LB SPINDLE	4
2.1.11	356-09-02-060	FILLER BAR	4	8	R07660	3/4 x 6" HEX BOLT	1
2.2	356-09-01-041	INNER WALKER SLEEVE	1	9	R07807	3/4" LOCK WASHER	1
2.3	356-09-01-042	MIDDLE CONNECTOR TUBE	1	10	R22047	SPINDLE NUT 2 1/2" - 12UN	4
2.4	356-09-01-043	FRONT TANDEM ARM	1	11	357-00-00-128	SPINDLE WASHER	4
2.5	356-09-01-044	REAR TANDEM ARM	1	12	R07987	3/8 x 3" ROLL PIN	4
2.6	356-09-01-049	FRONT TANDEM ARM GUSSET	2	13	R07786	5/8 HEX NUT	8
2.7	356-09-01-051	FRONT TOP FILLER PLATE	1	14	R07927	5/8 x 1 1/2 SQ. HD. SET SCREW	8
2.8	356-09-01-050	REAR TANDEM ARM GUSSET	2	15	R07655	3/4 x 2 1/2 HEX BOLT	4
2.9	356-09-01-052	REAR TOP FILLER PLATE	1	16	R07827	3/4" FLAT WASHER	8
2.10	356-09-01-047	TOP GUSSET	2	17	R07878	3/4 NYLOCK NUT	4
2.11	356-09-01-048	INNER SUPPORT PLATE	1	18	R07787	3/4 - 10 UNC HEX NUT	1
2.12	356-09-01-046	REAR TIE PLATE	1				

25000LB HUB COMPLETE

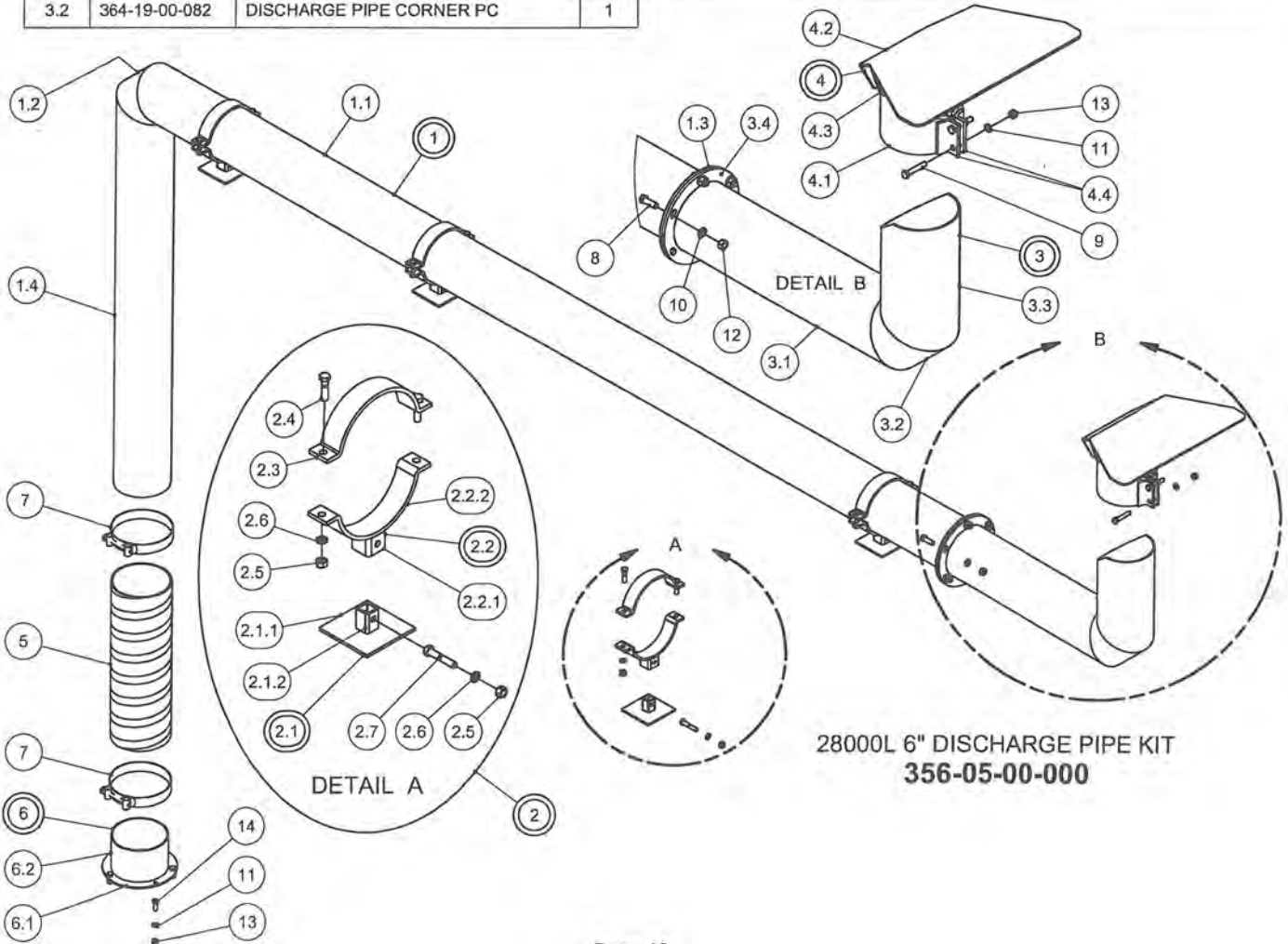
25000LB 10 BOLT HUB COMPLETE
357-06-00-000



PARTS LIST			
ITEM	PART NUMBER	DESCRIPTION	QTY
1	357-06-00-215	25000LB HUB w/ CUPS,BLTS,NUTS & WSHRS	1
1.1	25000LB HUB	25000LB HUB - MACHINED LESS BEARINGS	1
1.2	R20096	3/4" WHEEL BOLTS	10
1.3	R20152	3/4" SPHERICAL WASHER	10
1.4	R07820	3/4" FED. HIGH HEX NUT	10
1.5	R22038	INNER CUP 71750	1
1.6	R22037	OUTER CUP 652	1
2	R22041	DUST CAP - 25000LB HUB	1
3	R22042	DUST CAP GASKET	1
4	R07694	DUST CAP BOLT 5/16 - 18 x 1/2	4
5	R22039	OUTER CONE - 663	1
6	R22040	INNER CONE - 71455	1
7	R22045	HUB SEAL 456192	1

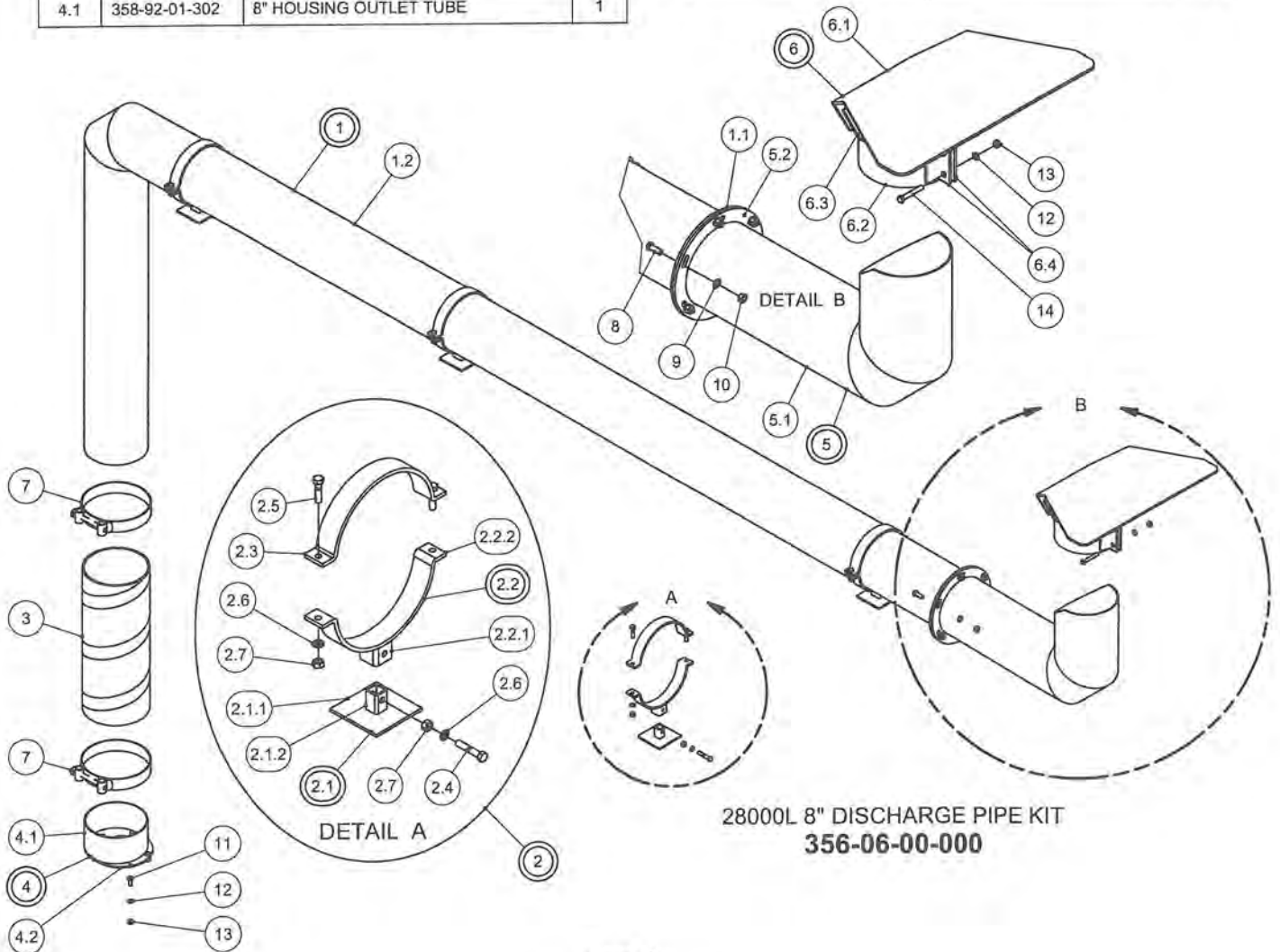
28000L 6" DISCHARGE PIPE KIT

PARTS LIST				PARTS LIST			
ITEM	PART NUMBER	DESCRIPTION	QTY	ITEM	PART NUMBER	DESCRIPTION	QTY
1	356-02-00-000	28000L 6" DISCHARGE PIPE ASSY	1	3.3	364-25-00-067	DISCHARGE PIPE END PC	1
1.1	356-02-00-007	28000L 6" HORIZONTAL PIPE	1	3.4	364-19-00-087	DISCHARGE PIPE FLANGE	1
1.2	364-19-00-082	DISCHARGE PIPE CORNER PC	1	4	364-68-00-000	SPLASH PLATE ASSY	1
1.3	364-19-00-087	DISCHARGE PIPE FLANGE	1	4.1	364-68-00-215	CLAMPING TUBE	1
1.4	358-32-00-109	VERTICAL DISCHARGE PIPE	1	4.2	364-21-00-069	SPLASH PLATE	1
2	357-16-00-000	6" DISCHARGE PIPE HOLDER KIT	4	4.3	364-21-00-224	SPLASH PLATE WING	2
2.1	357-16-01-000	DISCHARGE PIPE BASE HOLDER ASSY	1	4.4	364-21-00-071	CLAMPING TUBE BRKT	2
2.1.1	357-16-01-130	BASE PLATE	1	5	364-00-00-066	HOSE SECTION	1
2.1.2	357-16-01-131	LOWER STUB	1	6	364-31-00-000	HOSE TUBE ASSY - 6"	1
2.2	357-16-02-000	PIPE HOLDER ASSY	1	6.1	364-01-03-376	DISCHARGE RING	1
2.2.1	357-16-02-137	UPPER STUB	1	6.2	364-01-03-083	DISCHARGE TUBE	1
2.2.2	357-16-00-133	TOP PIPE HOLDER - 6"	1	7	R02482	6" HOSE CLAMP	2
2.3	357-16-00-133	TOP PIPE HOLDER - 6"	1	8	R07671	7/16 x 1 1/4 UNC HEX BOLT	6
2.4	R07620	3/8 x 1 1/2 HEX BOLT	2	9	R07621	3/8 x 2 UNC HEX BOLT	2
2.5	R07783	3/8 HEX NUT	3	10	R07804	7/16" LOCK WASHER	6
2.6	R07803	3/8 LOCK WASHER	3	11	R07803	3/8" LOCK WASHER	7
2.7	R07621	3/8 x 2" HEX BOLT	1	12	R07784	7/16-14 UNC HEX NUT	6
3	364-25-00-000	DISCHARGE PIPE END SECTION ASSY	1	13	R07783	3/8-16 UNC HEX NUT	7
3.1	364-25-00-088	DISCHARGE PIPE FLANGE PC	1	14	R07619	3/8 x 1 UNC HEX BOLT	5
3.2	364-19-00-082	DISCHARGE PIPE CORNER PC	1				



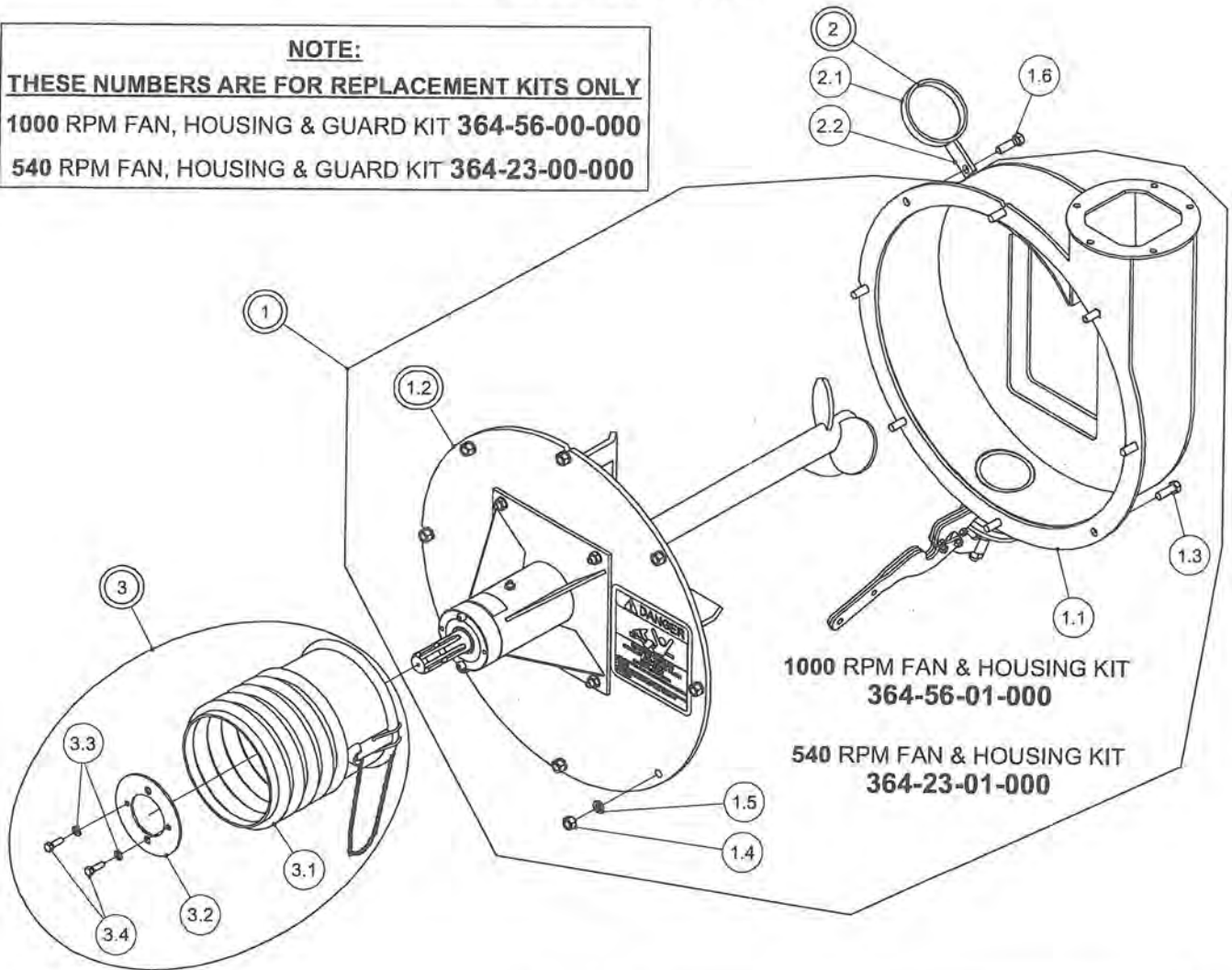
28000L 8" DISCHARGE PIPE KIT

PARTS LIST				PARTS LIST			
ITEM	PART NUMBER	DESCRIPTION	QTY	ITEM	PART NUMBER	DESCRIPTION	QTY
1	356-04-00-000	28000L DISCHARGE PIPE ASSY 8"	1	4.2	358-92-01-301	8" HOUSING DISCHARGE RING	1
1.1	358-92-02-306	8" DISCHARGE FLANGE	1	5	358-92-03-000	8" EXTENSION PIPE ASSY	1
1.2	356-04-00-008	28000L 8" DISCHARGE PIPE	1	5.1	358-92-03-307	8" EXTENSION PIPE	1
2	357-17-00-000	8" DISCHARGE PIPE HOLDER KIT	4	5.2	358-92-02-306	8" DISCHARGE FLANGE	1
2.1	357-16-01-000	DISCHARGE PIPE BASE HOLDER ASSY	1	6	358-92-04-000	8" SPLASH PLATE ASSY	1
2.1.1	357-16-01-130	BASE PLATE	1	6.1	358-92-04-308	8" SPLASH PLATE	1
2.1.2	357-16-01-131	LOWER STUB	1	6.2	358-92-04-309	8" SPLASH PLATE TUBE	1
2.2	357-17-01-000	PIPE HOLDER ASSY - 8"	1	6.3	358-92-04-310	WING FOR 8" SPLASH PLATE	2
2.2.1	357-16-02-137	UPPER STUB	1	6.4	358-92-04-311	CLAMPING TUBE BRKT	2
2.2.2	357-17-00-135	TOP PIPE HOLDER - 8"	1	7	R02484	8" SUCTION HOSE CLAMP	2
2.3	357-17-00-135	TOP PIPE HOLDER - 8"	1	8	R07671	7/16 x 1 1/4 UNC HEX BOLT	6
2.4	R07621	3/8 x 2" HEX BOLT	1	9	R07804	7/16" LOCK WASHER	6
2.5	R07620	3/8 x 1 1/2 HEX BOLT	2	10	R07784	7/16-14 UNC HEX NUT	6
2.6	R07803	3/8 LOCK WASHER	3	11	R07619	3/8 x 1 UNC HEX BOLT	5
2.7	R07783	3/8 HEX NUT	3	12	R07803	3/8" LOCK WASHER	7
3	358-92-00-329	8" DISCHARGE HOSE	1	13	R07783	3/8-16 UNC HEX NUT	7
4	358-92-01-000	8" HOUSING RING & TUBE ASSY	1	14	R07622	3/8 x 2 1/2 UNC HEX BOLT	2
4.1	358-92-01-302	8" HOUSING OUTLET TUBE	1				



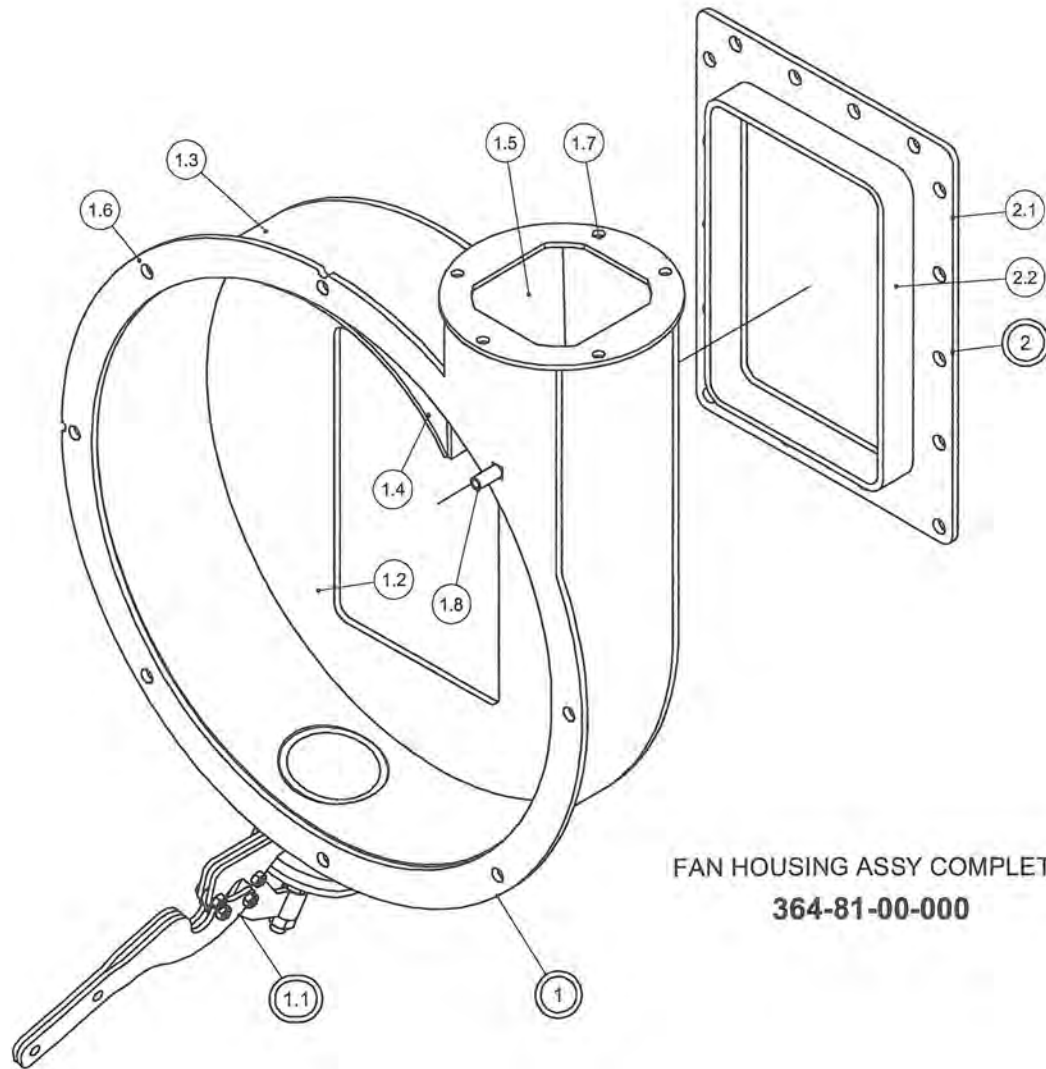
FAN & HOUSING KIT

NOTE:
THESE NUMBERS ARE FOR REPLACEMENT KITS ONLY
1000 RPM FAN, HOUSING & GUARD KIT 364-56-00-000
540 RPM FAN, HOUSING & GUARD KIT 364-23-00-000



PARTS LIST			
ITEM	PART NUMBER	DESCRIPTION	QTY
1	364-56-01-000	1000 FAN & HOUSING KIT	1
1	364-23-01-000	540 FAN & HOUSING KIT	1
1.1	364-81-00-000	FAN HOUSING ASSY COMPLETE	1
1.2	364-66-01-000	1000 RPM FAN & COVER PLATE	1
1.2	364-65-01-000	540 RPM FAN & COVER PLATE	1
1.3	R07671	7/16 x 1 1/4 HEX BOLT	6
1.4	R07784	7/16 HEX NUT	8
1.5	R07804	7/16 LOCK WASHER	8
1.6	R07629	7/16 x 1 1/2 HEX BOLT	1
2	364-41-00-000	PTO HOLDER ASSY	1
2.1	364-41-00-132	PTO HOLDER	1
2.2	364-41-00-133	PTO HOLDER BRACKET	1
3	364-69-00-000	PLASTIC PTO GUARD KIT	1
3.1	R22196	SHEILD CONE ASSY	1
3.2	364-00-00-448	GUARD SUPPORT	1
3.3	R07802	5/16 LOCK WASHER	2
3.4	R07611	5/16 x 1" HEX BOLT	2

FAN HOUSING ASSY



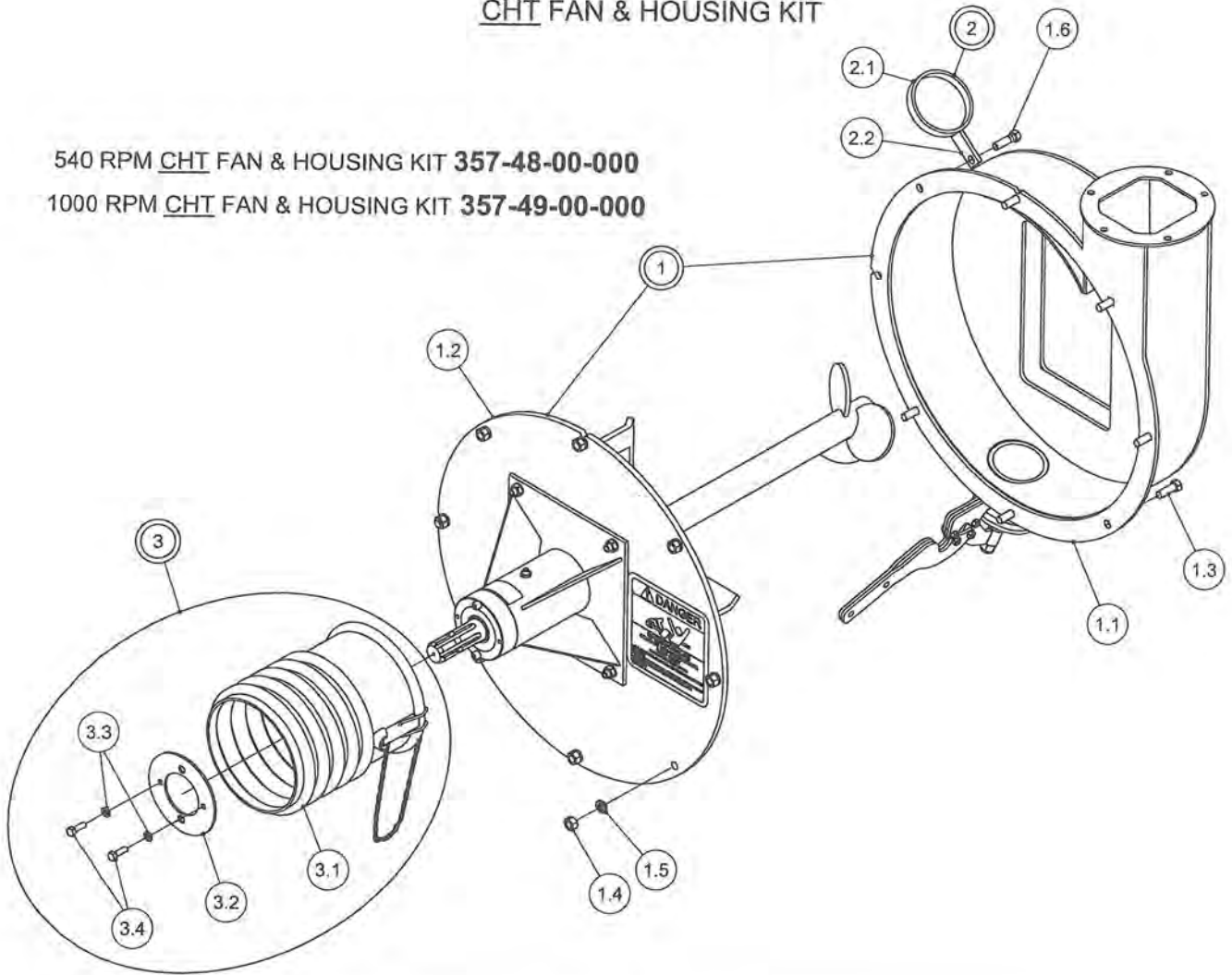
FAN HOUSING ASSY COMPLETE
364-81-00-000

PARTS LIST			
ITEM	PART NUMBER	DESCRIPTION	QTY
1	364-81-01-000	FAN HOUSING ASSY LESS FLANGE	1
1.1	364-62-00-000	DRAIN PLUG KIT	1
1.2	364-01-03-106	HOUSING BACK PLATE	1
1.3	364-01-03-018	HOUSING BAND	1
1.4	364-01-03-156	HOUSING BAND AID	1
1.5	364-01-03-081	FAN HOUSING VERTICAL PC	1
1.6	364-01-03-019	HOUSING FLANGE	1
1.7	364-01-03-376	DISCHARGE RING	1
1.8	R07774	7/16 x 1 1/4" GR 5 CARRIAGE BOLT	1
2	364-81-02-000	HOUSING INLET FLANGE ASSY	1
2.1	364-81-02-393	HOUSING FLANGE	1
2.2	364-81-02-424	INLET EXTENSION TUBE	1

CHT FAN & HOUSING KIT

540 RPM CHT FAN & HOUSING KIT **357-48-00-000**

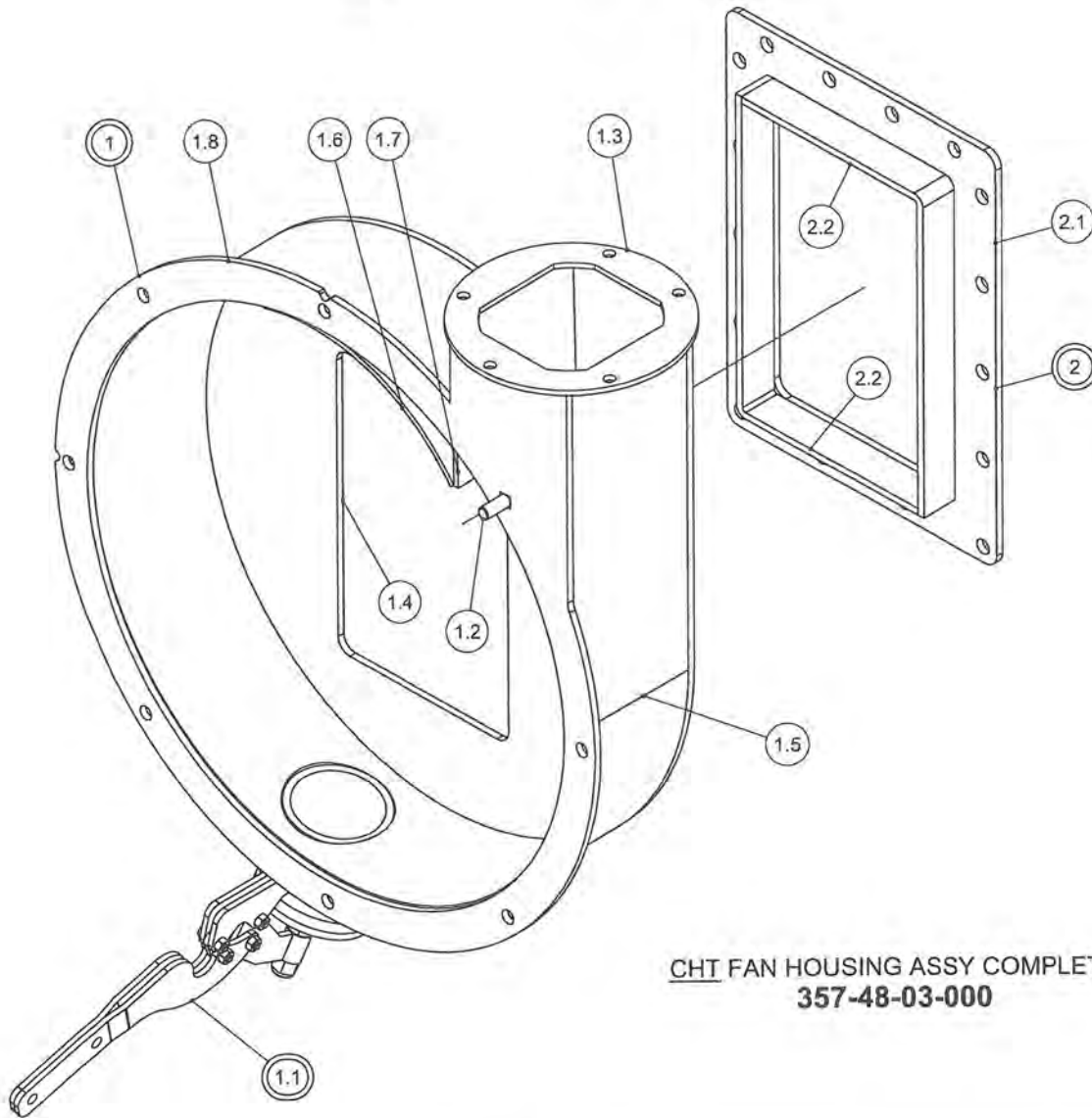
1000 RPM CHT FAN & HOUSING KIT **357-49-00-000**



PARTS LIST			
ITEM	PART NUMBER	DESCRIPTION	QTY
1	357-49-03-000	CHT 1000 RPM FAN & HOUSING KIT	OPT
1	357-48-06-000	CHT 540 FAN & HOUSING KIT	1
1.1	357-48-03-000	CHT FAN HOUSING ASSY COMPLETE	1
1.2	364-66-01-000	1000 RPM FAN & COVER PALTE	OPT
1.2	364-65-01-000	540 RPM FAN & COVER PLATE	1
1.3	R07671	7/16 x 1 1/4 HEX BOLT	6
1.4	R07784	7/16 HEX NUT	8
1.5	R07804	7/16 LOCK WASHER	8
1.6	R07629	7/16 x 1 1/2 HEX BOLT	1
2	364-41-00-000	PTO HOLDER ASSY	1
2.1	364-41-00-132	PTO HOLDER	1
2.2	364-41-00-133	PTO HOLDER BRACKET	1
3	364-69-00-000	PLASTIC PTO GUARD KIT	1
3.1	R22196	SHEILD CONE ASSY	1
3.2	364-00-00-448	GUARD SUPPORT	1
3.3	R07802	5/16 LOCK WASHER	2
3.4	R07611	5/16 x 1" HEX BOLT	2

OPT = OPTIONAL

CHT FAN HOUSING ASSY

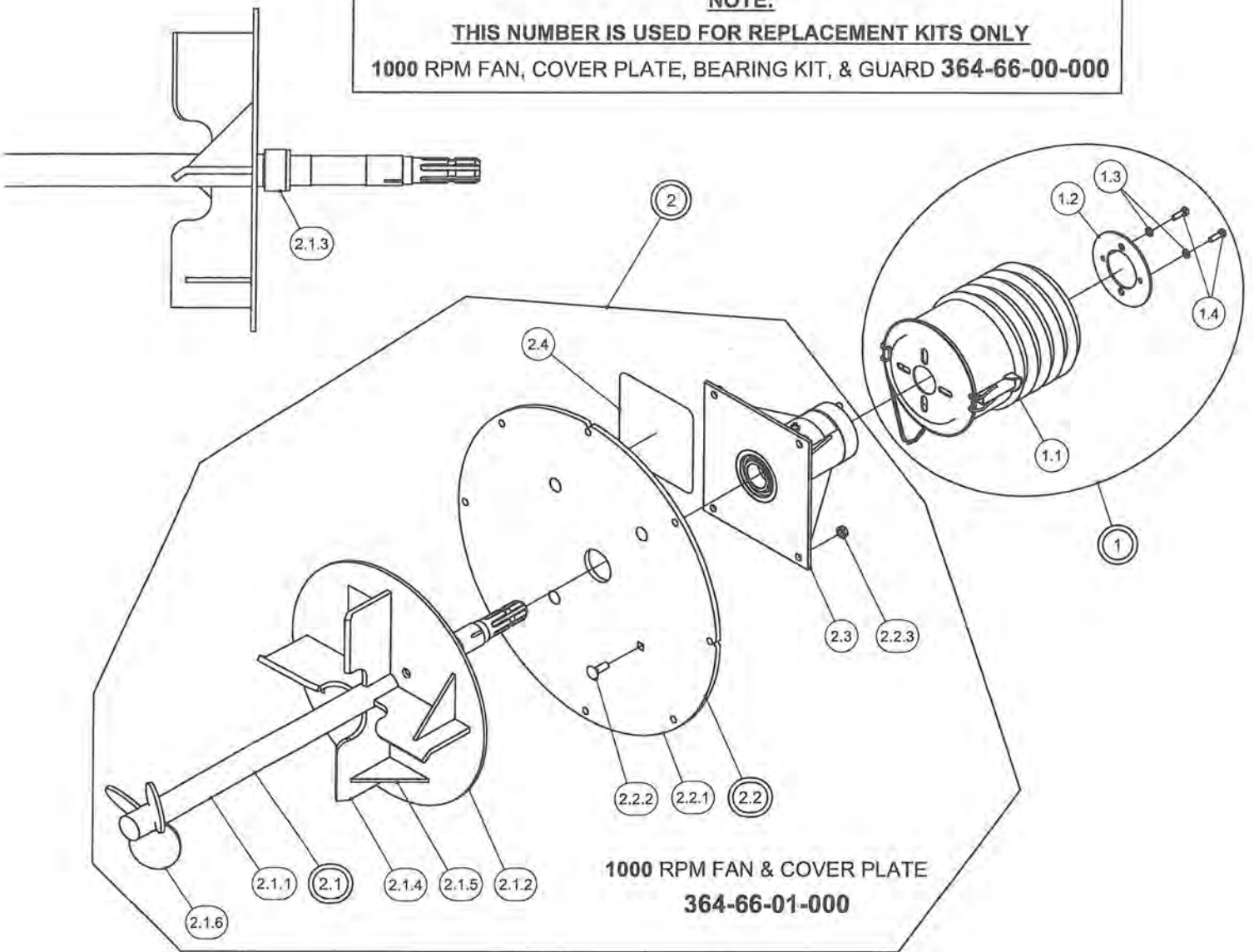


CHT FAN HOUSING ASSY COMPLETE
357-48-03-000

PARTS LIST			
ITEM	PART NUMBER	DESCRIPTION	QTY
1	357-48-01-000	CHT FAN HOUSING ASSY LESS FLANGE	1
1.1	364-62-00-000	DRAIN PLUG KIT	1
1.2	R07774	7/16 x 1 1/4 UNC CARRIAGE BOLT	1
1.3	364-01-03-376	DISCHARGE RING	1
1.4	357-48-01-228	CHT HOUSING BACK PLATE	1
1.5	357-48-01-232	CHT HOUSING BAND	1
1.6	357-48-01-231	CHT HOUSING BAND AID	1
1.7	357-48-01-230	CHT FAN HOUSING VERTICAL PC	1
1.8	357-48-01-229	CHT HOUSING FLANGE	1
2	357-48-02-000	CHT HOUSING INLET FLANGE ASSY	1
2.1	364-81-02-393	HOUSING FLANGE	1
2.2	357-48-02-233	CHT INLET EXTENSION	2

1000 RPM FAN, COVER PLATE & BRG KIT

NOTE:
THIS NUMBER IS USED FOR REPLACEMENT KITS ONLY
1000 RPM FAN, COVER PLATE, BEARING KIT, & GUARD 364-66-00-000

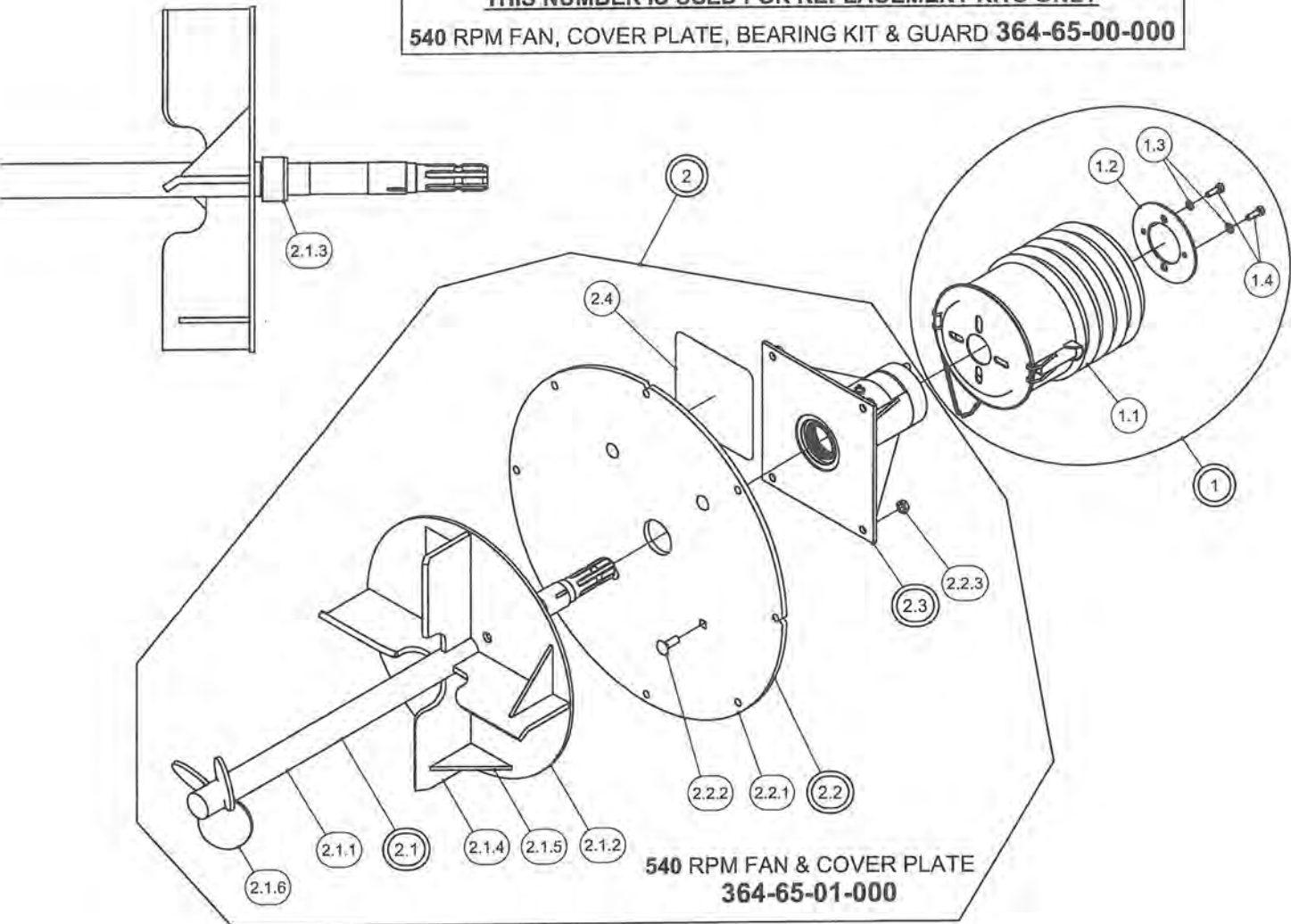


1000 RPM FAN & COVER PLATE
364-66-01-000

PARTS LIST				PARTS LIST			
ITEM	PART NUMBER	DESCRIPTION	QTY	ITEM	PART NUMBER	DESCRIPTION	QTY
1	364-69-00-000	PLASTIC PTO GUARD KIT	1	2.1.4	364-64-00-210	CHT 1000 RPM FAN BLADE	4
1.1	R22196	SHEILD CONE ASSY	1	2.1.5	364-72-00-422	FAN BLADE GUSSET	4
1.2	364-00-00-448	GUARD SUPPORT	1	2.1.6	364-72-00-227	AGITATOR BLADE	3
1.3	R07802	5/16 LOCK WASHER	2	2.2	364-67-00-000	COVER PLATE ASSY	1
1.4	R07611	5/16 x 1" HEX BOLT	2	2.2.1	364-67-00-211	HOUSING COVER PLATE	1
2	364-66-01-000	1000 RPM FAN & COVER PLATE	1	2.2.2	R07774	7/16 x 1 1/4" GR 5 CARRIAGE BOLT	4
2.1	364-73-00-000	1000 RPM SHAFT & IMP. ASSY - CHT	1	2.2.3	R07879	7/16 FLANGE NUT	4
2.1.1	364-72-00-226	FAN SHAFT	1	2.3	357-59-00-000	BEARINGS & HOLDER KIT 2002	1
2.1.2	364-63-00-209	FAN BACK PLATE	1	2.4	R09785	"DANGER ROTATING DRIVELINE"	1
2.1.3	R20238	HARDENED SEAL SLEEVE	1			DECAL	

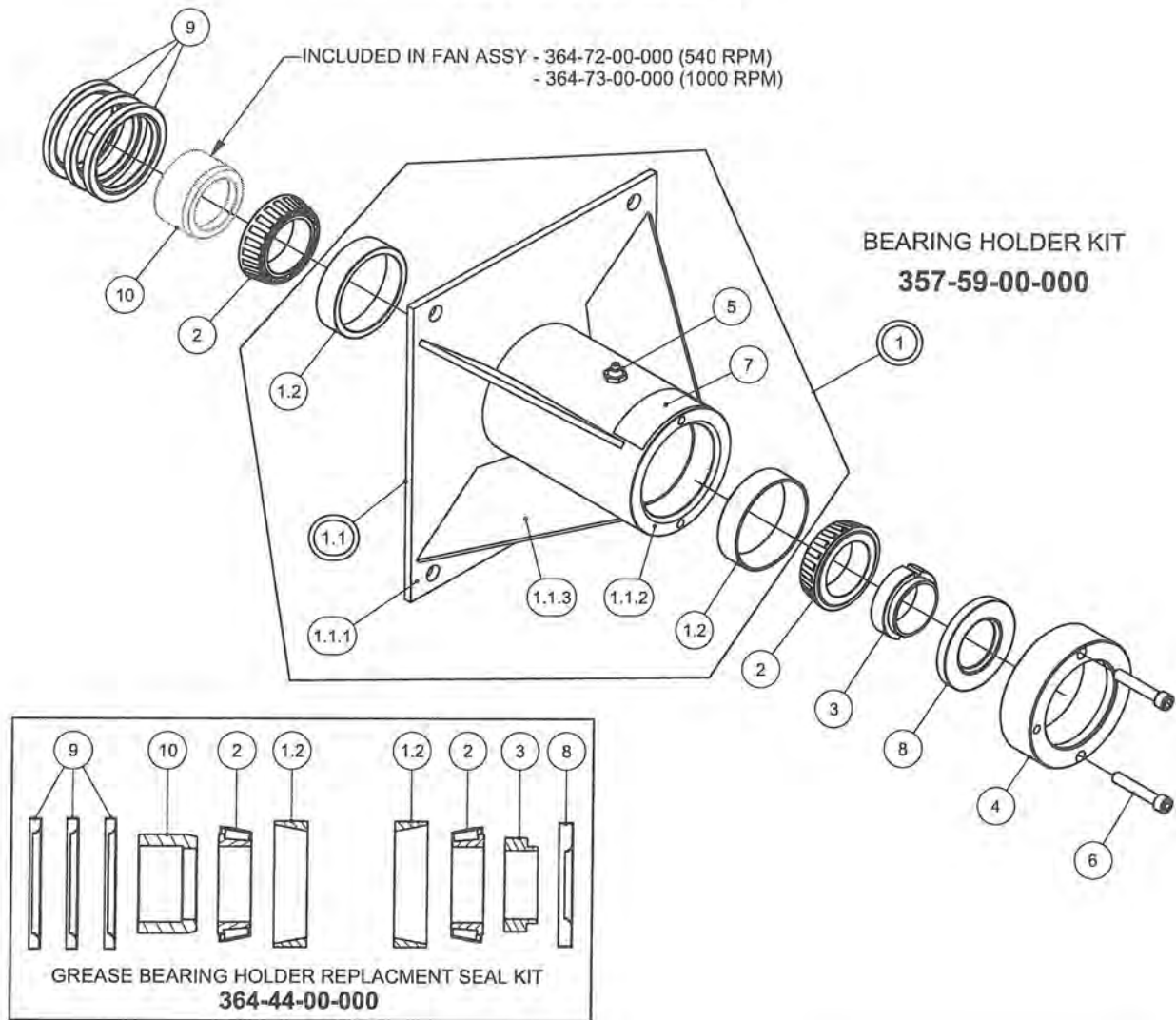
540 RPM FAN, COVER PLATE, & BRG KIT

NOTE:
THIS NUMBER IS USED FOR REPLACEMENT KITS ONLY
540 RPM FAN, COVER PLATE, BEARING KIT & GUARD 364-65-00-000



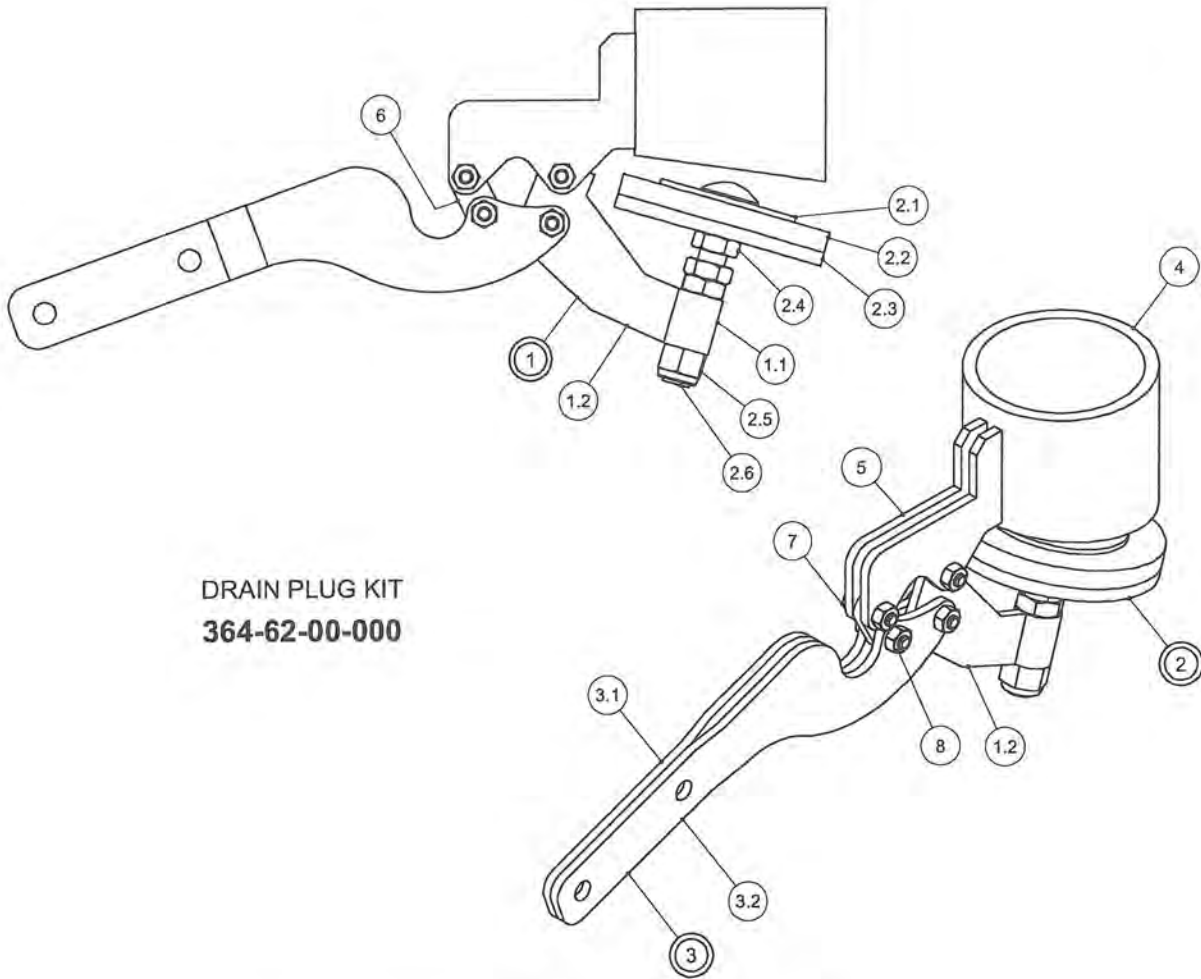
PARTS LIST				PARTS LIST			
ITEM	PART NUMBER	DESCRIPTION	QTY	ITEM	PART NUMBER	DESCRIPTION	QTY
1	364-69-00-000	PLASTIC PTO GUARD KIT	1	2.1.4	364-63-00-208	CHT 540 RPM FAN BLADE	4
1.1	R22196	SHEILD CONE ASSY	1	2.1.5	364-72-00-422	FAN BLADE GUSSET	4
1.2	364-00-00-448	GUARD SUPPORT	1	2.1.6	364-72-00-227	AGITATOR BLADE	3
1.3	R07802	5/16 LOCK WASHER	2	2.2	364-67-00-000	COVER PLATE ASSY	1
1.4	R07611	5/16 x 1" HEX BOLT	2	2.2.1	364-67-00-211	HOUSING COVER PLATE	1
2	364-65-01-000	540 RPM FAN & COVER PLATE	1	2.2.2	R07774	7/16 x 1 1/4" GR 5 CARRIAGE BOLT	4
2.1	364-72-00-000	540 RPM SHAFT & IMP. ASSY - CHT	1	2.2.3	R07879	7/16 FLANGE NUT	4
2.1.1	364-72-00-226	FAN SHAFT	1	2.3	357-59-00-000	BEARINGS & HOLDER KIT 2002	1
2.1.2	364-63-00-209	FAN BACK PLATE	1	2.4	R09785	"DANGER ROTATING DRIVELINE"	1
2.1.3	R20238	HARDENED SEAL SLEEVE	1			DECAL	

BEARING HOLDER KIT



PARTS LIST			
ITEM	PART NUMBER	DESCRIPTION	QTY
1	357-59-01-000	BEARING HOLDER w/ CUPS KIT	1
1.1	357-59-02-000	BEARING BOX ASSY	1
1.1.1	364-61-00-192	SEAL TUBE BACK PLATE	1
1.1.2	364-61-00-191	BEARING TUBE	1
1.1.3	357-59-02-289	BEARING BOX GUSSET	4
1.2	R20113	LM501310 OUTER CUP	2
2	R20115	LM501349 OUTER CONE	2
3	364-00-00-212	STAKE NUT	1
4	364-00-00-332	SEAL TUBE KIT	1
5	R08188	1/4" NPT STRAIGHT GREASE FITTING	1
6	R08175	5/16 - 18 UNC x 1 3/4" CAP SCREW	2
7	R09787	GREASE DECAL	1
8	R21196	SL LIP SEAL 152833TB 1.5"	1
9	R21197	2.25 x 3.005 x .25 SEAL	3
10	R20238	HARDENED SEAL SLEEVE (NOT INCLUDED IN BEARING HOLDER KIT)	1

DRAIN PLUG KIT

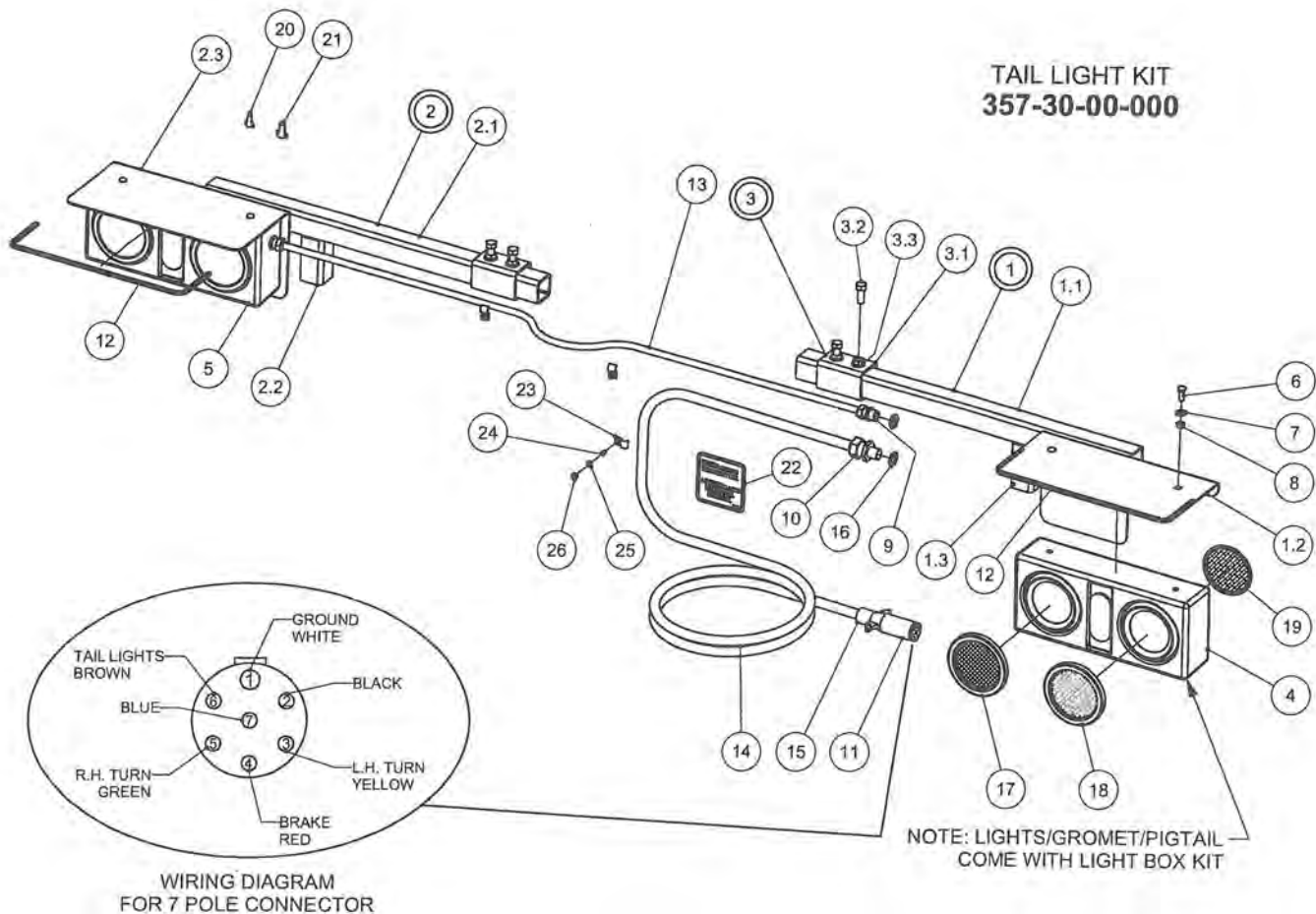


DRAIN PLUG KIT
364-62-00-000

PARTS LIST			
ITEM	PART NUMBER	DESCRIPTION	QTY
1	364-62-01-000	DRAIN PLUG SLEEVE ASSY	1
1.1	364-62-01-201	SLEEVE	1
1.2	364-62-01-200	SLEEVE LINKAGE	1
2	364-62-05-000	DRAIN PLUG REPLACEMENT KIT	1
2.1	364-62-04-370	PLUG WASHER	1
2.2	364-62-02-204	RUBBER PLUG	1
2.3	364-62-02-203	PLUG PLATE	1
2.4	R08046	1/2 - 13 JAM NUT	3
2.5	R08219	1/2 UNC NYLOCK NUT	1
2.6	R08316	1/2 x 3 1/2" FULL THREAD CAR BOLT	1
3	364-62-03-000	HANDLE ASSY	1
3.1	364-62-03-206	LH HANDLE	1
3.2	364-62-03-207	RH HANDLE	1
4	364-01-03-110	DRAIN PIPE	1
5	364-62-00-199	PLUG HOUSING BRKT	2
6	364-62-00-205	SHORT LINKAGE	1
7	R08176	1/4 x 7/8" HEX BOLT	4
8	R08048	1/4" 2 WAY LOCK NUT	4

TAIL LIGHT KIT

PARTS LIST				PARTS LIST			
ITEM	PART NUMBER	DESCRIPTION	QTY	ITEM	PART NUMBER	DESCRIPTION	QTY
1	357-30-01-000	RH LIGHT BAR ASSY	1	10	R10357	3/4" NYLON TITE CONNECTOR	1
1.1	357-30-01-171	LIGHT BAR	1	11	R10095	7 POLE CONNECTOR	1
1.2	357-30-01-172	RH LITE BOLT PLATE	1	12	357-30-00-311	SAFETY EDGING	2
1.3	357-30-01-173	STUB BAR	1	13	R04046	4-WIRE TRAILER CABLE - APPROX. 4M	1
2	357-30-02-000	LH LIGHT BAR ASSY	1	14	R04235	14/6 TRAILER CABLE - APPROX. 10.5M	1
2.1	357-30-01-171	LIGHT BAR	1	15	R09636	RUBBER BOOT	1
2.2	357-30-01-173	STUB BAR	1	16	R10345	1/2" ELECTRICAL BOX LOCK NUT	3
2.3	357-30-02-245	LH LITE BOLT PLATE	1	17	R10087	RED LIGHT KIT	2
3	357-30-03-000	MOUNT BRKT ASSY	2	18	R10347	AMBER LIGHT KIT w/ CLEAR BACK	2
3.1	357-30-03-174	MOUNT BRKT	1	19	R10346	AMBER REPLACEMENT LENS	2
3.2	R07674	1/2 x 1 1/4 HEX BOLT	2	20	R04343	#451 YELLOW WING NUT CONNECTOR	8
3.3	R07795	1/2" UNC FLANGE NUT	2	21	R04422	#452 RED WING NUT CONNECTOR	2
4	R10349	RH LAMP BOX w/ 2 LAMPS	1	22	R09808	CABLE - LIGHT BOX DECAL	1
5	R10348	LH LAMP BOX w/ 2 LAMPS	1	23	R21104	HYD. HOSE CLIPS	12
6	R07721	3/8 x 1 CARRIAGE BOLT	4	24	R08301	1/4 x 20 UNC x 1/2" WELD STUD	12
7	R07823	3/8 FLAT WASHER	4	25	R07801	1/4" LOCK WASHER	12
8	R07794	3/8 FLANGE NUT	4	26	R07781	1/4-20 UNC HEX NUT	12
9	R10193	1/2" NYLON TITE CONNECTOR	2				



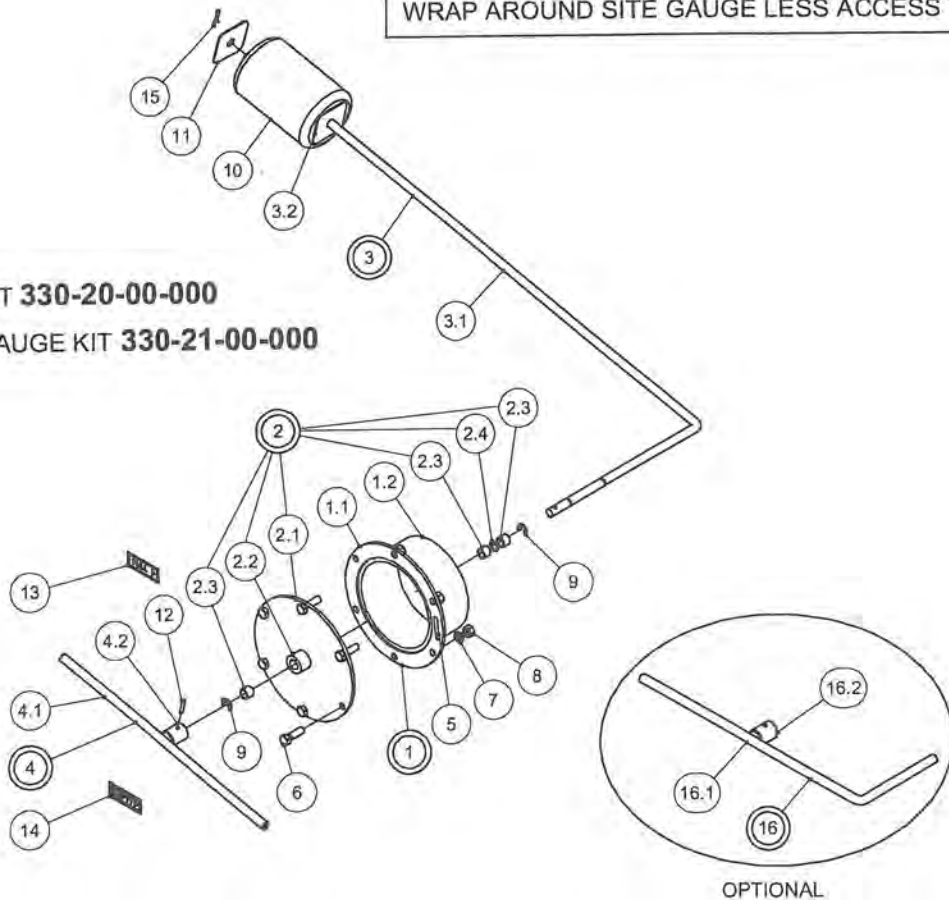
SIGHT GAUGE KIT

PARTS LIST				PARTS LIST			
ITEM	PART NUMBER	DESCRIPTION	QTY	ITEM	PART NUMBER	DESCRIPTION	QTY
1	330-20-03-000	ACCESS TUBE ASSY	1	5	R04100	SILICONE SEALANT	1
1.1	330-20-03-560	ACCESS TUBE FLANGE	1	6	R07675	3/8 x 1 1/4" HEX BOLT	6
1.2	330-20-03-556	ACCESS TUBE	1	7	R07803	3/8 LOCK WASHER	6
2	330-20-04-000	COVER PLATE ASSY	1	8	R07783	3/8 HEX NUT	6
2.1	330-20-00-557	COVER PLATE	1	9	R07974	EXTERNAL RETAINING RING	2
2.2	330-20-04-562	BUSHING HOLDER	1	10	R09524	FLOAT	1
2.3	R21173	1/2 x 5/8 x 1/2" BRONZE BUSHING	3	11	330-20-01-552	FLOAT STRAPS	1
2.4	R20865	O-RING #11-014	1	12	R08241	3/16 x 1 SS ROLL PIN	1
3	330-20-01-000	FLOAT ARM ASSY	1	13	R09529	"FULL" DECAL	1
3.1	330-20-01-551	FLOAT ARM	1	14	R09530	"EMPTY" DECAL	1
3.2	330-20-01-552	FLOAT STRAPS	1	15	R08021	1/8 x 1 S.S. COTTER PIN	1
4	330-20-02-000	INDICATOR ARM ASSY	1	16	330-21-01-000	WRAP AROUND SITE ARM ASSY	1
4.1	330-20-02-554	INDICATOR ARM	1	16.1	330-19-46-546	WRAP AROUND SITE ARM	1
4.2	330-20-02-553	INDICATOR ARM HUB	1	16.2	330-20-02-553	INDICATOR ARM HUB	1

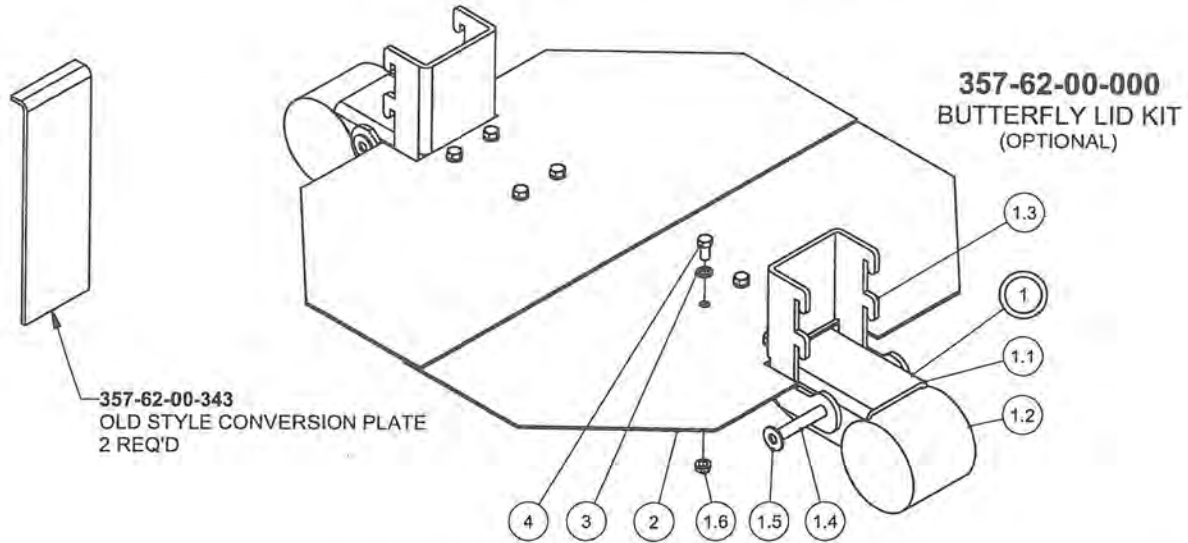
330-22-00-000
SITE GAUGE LESS ACCESS TUBE

330-23-00-000
WRAP AROUND SITE GAUGE LESS ACCESS TUBE

SIGHT GAUGE KIT **330-20-00-000**
WRAP AROUND SIGHT GAUGE KIT **330-21-00-000**

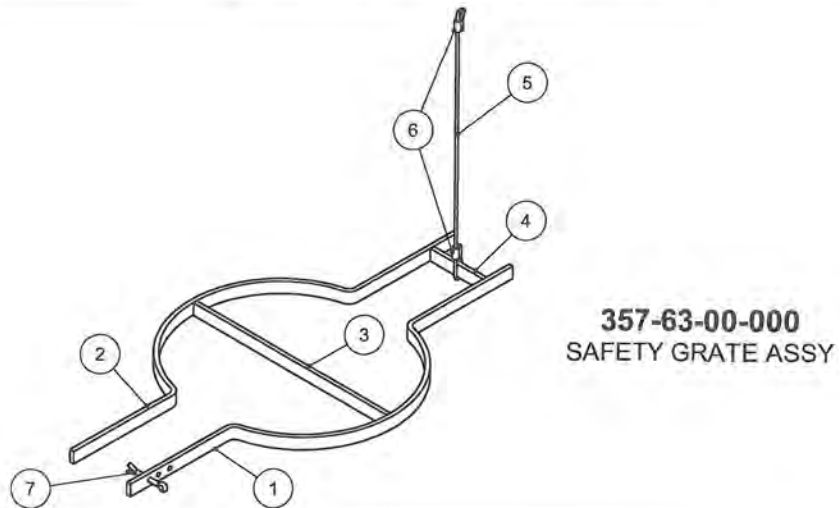


BUTTERFLY LID & SAFETY GRATE



NOTE: WITH INSTALLATION OF A BUTTERFLY LID, A SAFETY GRATE MUST BE USED TO LOCK LID IN PLACE

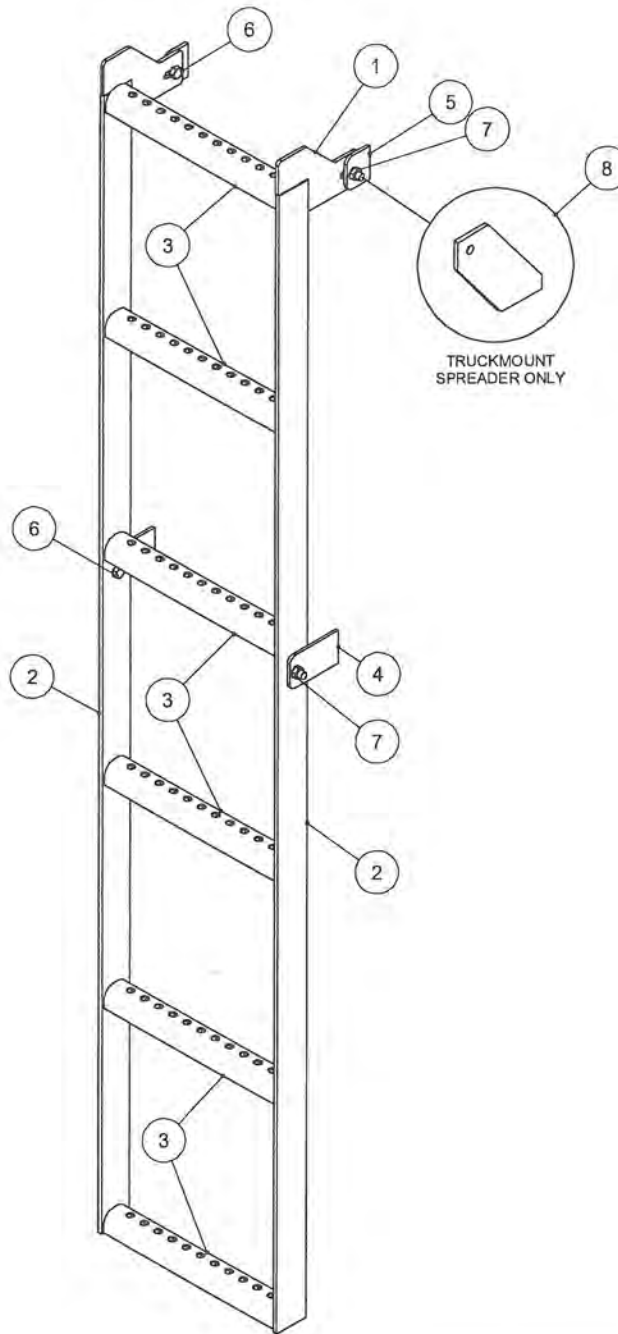
PARTS LIST				PARTS LIST			
ITEM	PART NUMBER	DESCRIPTION	QTY	ITEM	PART NUMBER	DESCRIPTION	QTY
1	357-62-01-000	BUTTERFLY HINGE KIT	2	1.5	R07824	7/16 FLAT WASHER	2
1.1	357-62-01-316	U - CHANNEL HINGE	1	1.6	R07794	3/8 FLANGE NUT	4
1.2	357-62-01-317	COUNTER WEIGHT	1	2	357-62-00-318	BUTTERFLY LID	2
1.3	357-62-01-319	DROP-IN HINGE	1	3	R08319	3/8 S.S. LOCK WASHER	8
1.4	357-62-01-315	HINGE PIN	1	4	R08317	3/8 x 3/4 S.S. HEX BOLT	8



PARTS LIST			
ITEM	PART NUMBER	DESCRIPTION	QTY
1	357-63-00-320	SAFETY BAR w/ HOLE	1
2	357-63-00-332	SAFETY BAR	1
3	357-63-00-321	CROSS SAFETY BAR	1
4	357-63-00-322	STOP BAR	1
5	357-63-00-331	SAFETY CABLE	1
6	R08068	1/8" ALUMINUM CRIMP SLEEVES	2
7	R08016	1/4 x 2 COTTER PIN	1

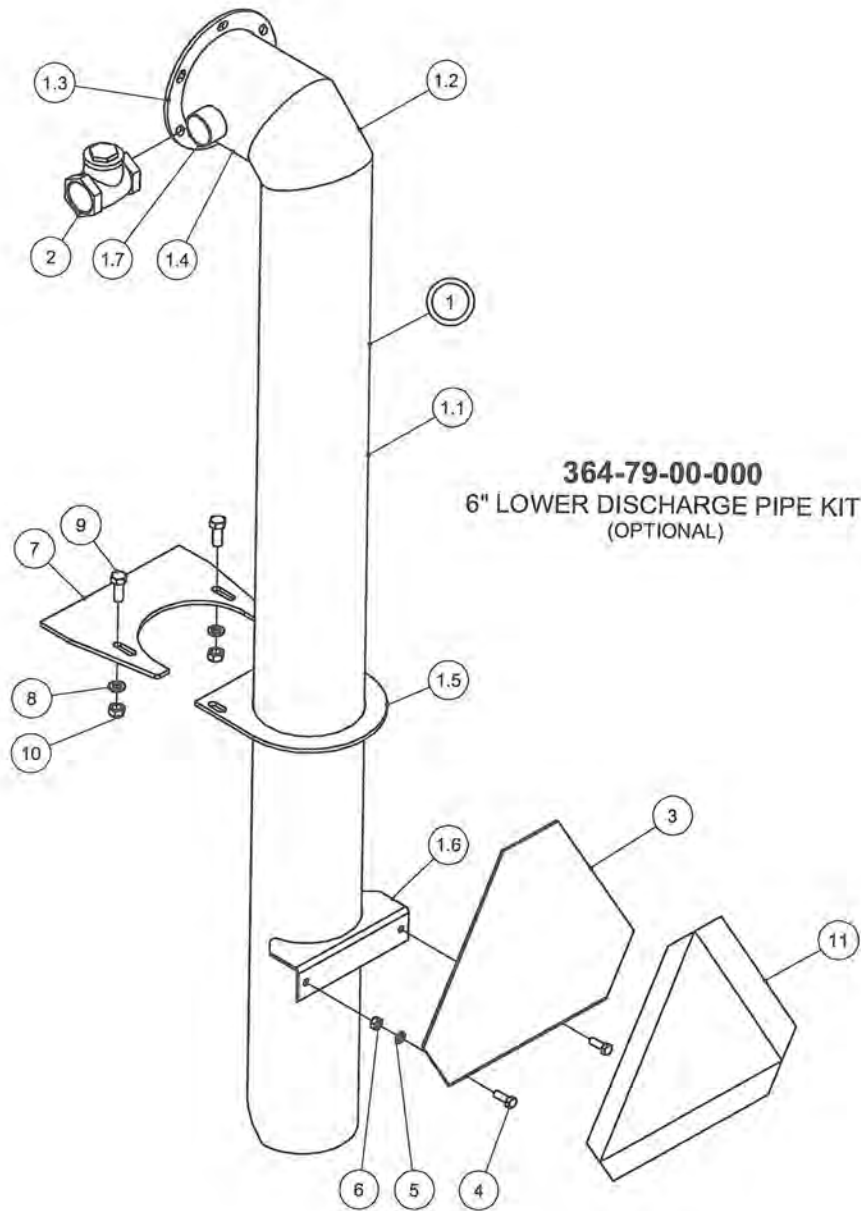
LADDER KIT

LADDER KIT
364-95-00-000



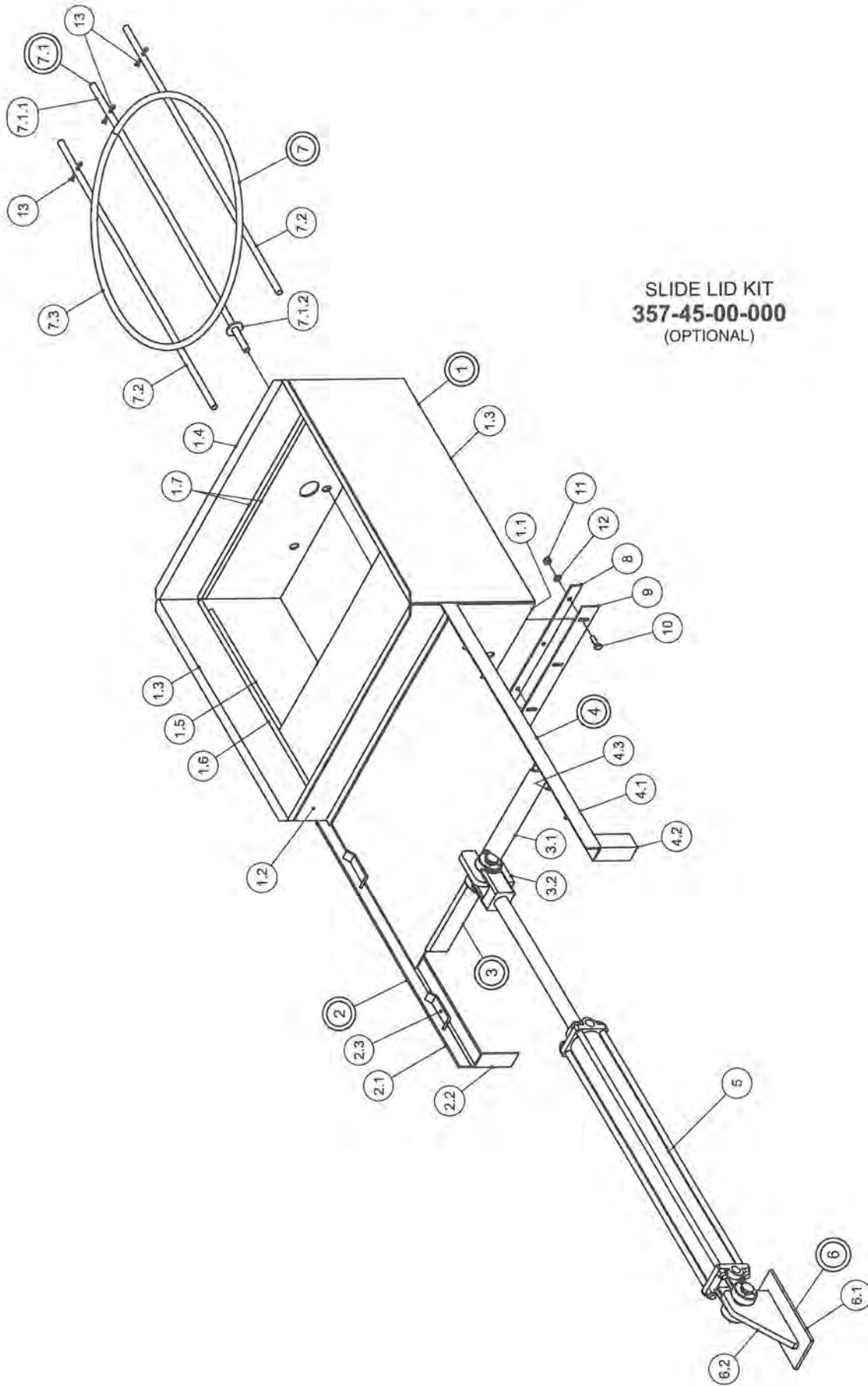
PARTS LIST			
ITEM	PART NUMBER	DESCRIPTION	QTY
1	364-95-00-326	LADDER LUG	2
2	364-95-00-325	LADDER SIDE PC	2
3	364-95-00-324	LADDER RUNG	6
4	364-00-00-414	TANK LUG	2
5	364-95-00-327	UPPER TANK LUG	2
6	R07619	3/8 x 1 HEX BOLT	4
7	R07794	3/8 FLANGE NUT	4
8	384-00-00-216	LADDER BRKT	1

LOWER DISCHARGE PIPE KIT



PARTS LIST				PARTS LIST			
ITEM	PART NUMBER	DESCRIPTION	QTY	ITEM	PART NUMBER	DESCRIPTION	QTY
1	364-79-01-000	6" DROP PIPE ASSY	1	3	200-00-00-132	S.M.V. SIGN HOLDER	1
1.1	364-79-01-295	LONG DROP PIPE	1	4	R07619	3/8 x 1 HEX BOLT	2
1.2	364-19-00-082	DISCHARGE PIPE CORNER PC	1	5	R07803	3/8 LOCK WASHER	2
1.3	364-19-00-087	DISCHARGE PIPE FLANGE	1	6	R07783	3/8 HEX NUT	2
1.4	364-79-01-296	SHORT HORIZONTAL PIPE	1	7	384-05-03-070	TANK BRKT	1
1.5	384-05-02-069	TUBE ATTACHMENT BRKT	1	8	R07805	1/2 LOCK WASHER	2
1.6	308-77-00-226	S.M.V. SIGN HOLDER	1	9	R07674	1/2 x 1 1/4 HEX BOLT	2
1.7	R02127	1 1/2 CLOSE NIPPLE	1	10	R07785	1/2 HEX NUT	2
2	R02490	1 1/2" CHECK VALVE	1	11	R09501	SLOW MOVING VEHICLE DECAL	1

SLIDE LID KIT



SLIDE LID KIT
357-45-00-000
(OPTIONAL)

SLIDE LID KIT CON'T

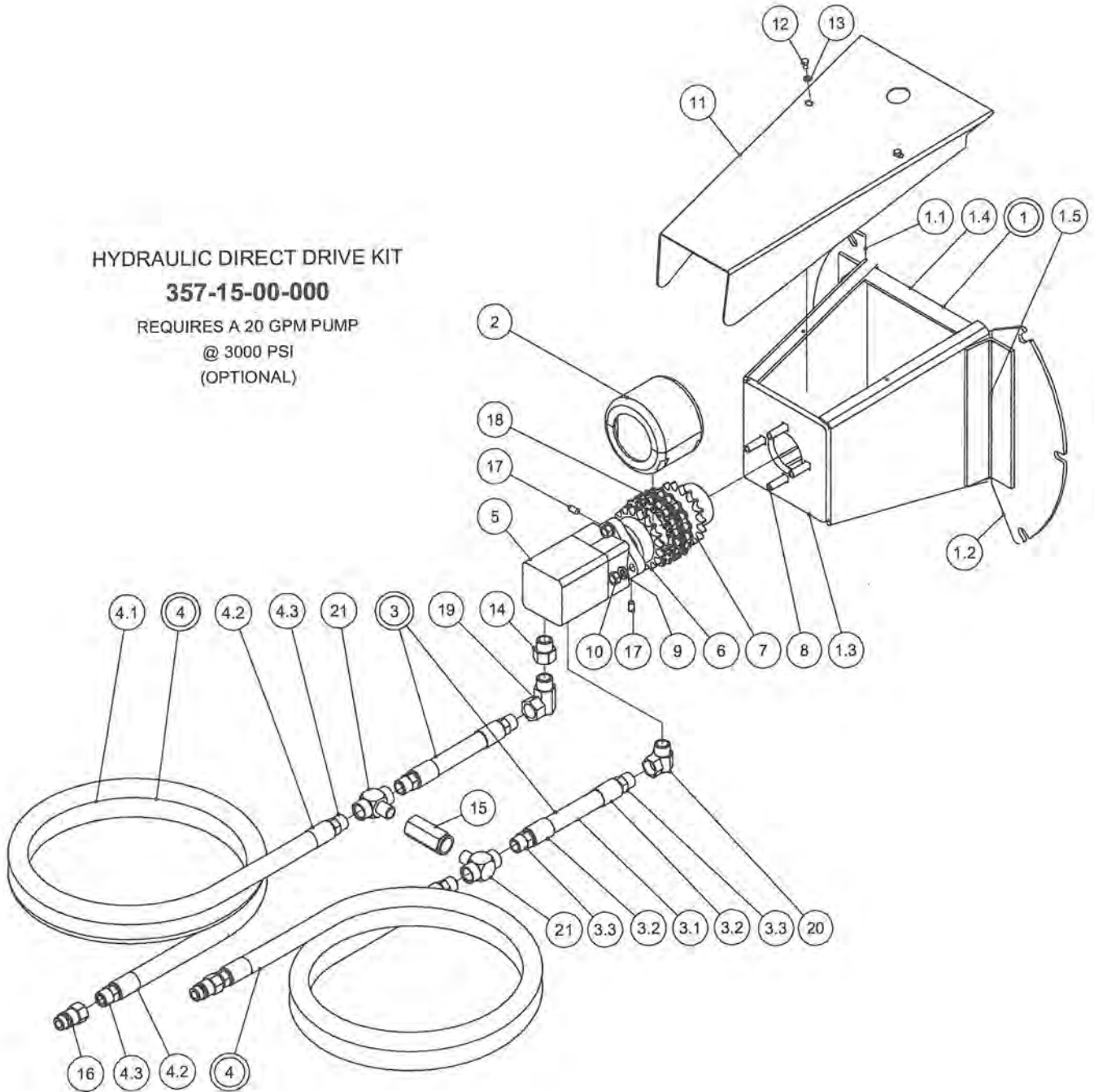
PARTS LIST			
ITEM	PART NUMBER	DESCRIPTION	QTY
1	357-45-01-000	MANHOLE ASSY	1
1.1	357-45-01-204	FRONT LOWER PANEL	1
1.2	357-45-01-205	FRONT UPPER PANEL	1
1.3	357-45-01-202	SIDES	2
1.4	357-45-01-203	REAR PANEL	1
1.5	357-45-01-257	SIDE LOWER GUIDE BARS	2
1.6	357-45-01-206	SIDE UPPER GUIDE BARS	2
1.7	357-45-01-207	REAR GUIDE BAR	2
2	357-45-02-000	RH SLIDE RAIL ASSY	1
2.1	357-45-02-209	SLIDE RAIL	1
2.2	357-45-02-210	SLIDE RAIL LEG	1
2.3	357-45-01-208	LOWER GUIDE	2
(3)	357-45-05-000	LID ASSY - AIR	*
3	357-45-03-000	LID ASSY - HYDRAULIC	1
3.1	357-45-03-213	SLIDE LID	1
3.2	357-45-03-214	SLIDE LID LUG	1
(3.2)	357-45-05-242	SLIDE LID LUG - AIR	*
4	357-45-04-000	LH SLIDE RAIL ASSY	1
4.1	357-45-02-209	SLIDE RAIL	1
4.2	357-45-02-210	SLIDE RAIL LEG	1
4.3	357-45-01-208	LOWER GUIDE	2
5	R22162	2 x 24 HYDRAULIC CYLINDER	1
(5)		AIR CYLINDER	*
(6)	357-45-06-000	TANK LUG ASSY FOR AIR CYLINDER	*
6	357-45-07-000	TANK LUG ASSY FOR HYD CYLINDER	1
6.1	368-54-02-425	CYLINDER BRKT BASE PLATE	1
6.2	357-45-07-254	TANK LUG FOR HYD CYLINDER	1
(6.2)	357-45-06-243	TANK LUG FOR AIR CYLINDER	*
7	357-45-09-000	SAFETY GRATE ASSY	1
7.1	357-45-08-000	SAFETY BAR ASSY	1
7.1.1	357-45-08-274	SAFETY BAR	1
7.1.2	R08320	1/2 S.S. FLAT WASHER	1
7.2	357-45-08-274	SAFETY BAR	2
7.3	357-45-09-314	SAFETY RING	1
8	357-45-00-211	STRAP	1
9	357-45-00-212	RUBBER	1
10	R07611	5/16 x 1" HEX BOLT	5
11	R07782	5/16 HEX NUT	5
12	R07802	5/16 LOCK WASHER	5
13	R08207	5/32 x 1 1/2 S.S. COTTER PIN	3

HYDRAULIC DIRECT DRIVE KIT

HYDRAULIC DIRECT DRIVE KIT

357-15-00-000

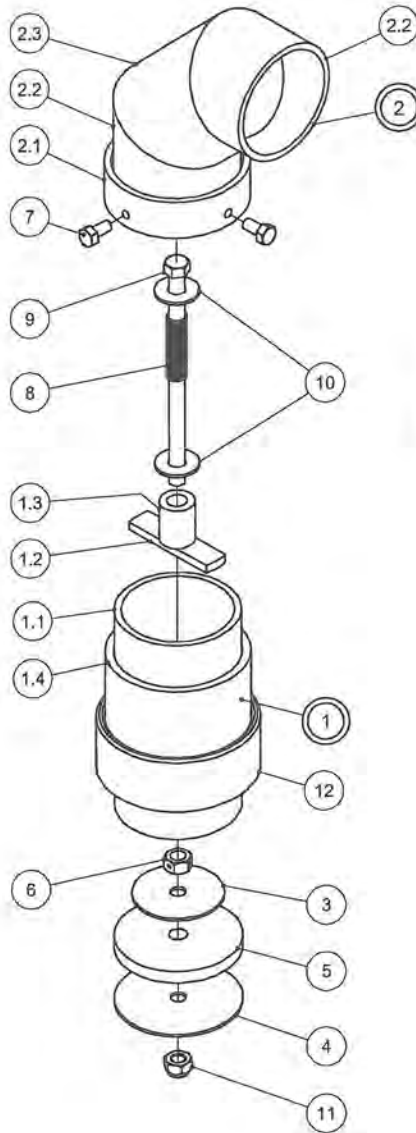
REQUIRES A 20 GPM PUMP
@ 3000 PSI
(OPTIONAL)



HYDRAULIC DIRECT DRIVE KIT CON'T

PARTS LIST			
ITEM	PART NUMBER	DESCRIPTION	QTY
1	384-02-01-000	DIRECT HYD DRIVE MOUNT PL ASSY	1
1.1	384-02-01-002	R.H. EXTENSION PLATE	1
1.2	384-02-01-003	L.H. EXTENSION PLATE	1
1.3	384-02-01-004	MOTOR MOUNT PLATE	1
1.4	384-02-01-012	REINFORCING STRAP	2
1.5	384-18-01-275	REINFORCING ANGLE	2
2	R20617	60 - 18 COUPLING COVER	1
3	364-48-32-000	3/4" HYD HOSE ASSY	2
3.1	364-48-32-187	3/4" HYD HOSE ASSY	1
3.2	R20824	3/4" FERRULE	2
3.3	R21241	3/4" MALE SOLID STEM	2
4	364-48-24-000	3/4" HYD HOSE ASSY	2
4.1	364-48-24-163	3/4" HYDRAULIC HOSE	1
4.2	R20824	3/4" FERRULE	2
4.3	R21241	3/4" MALE SOLID STEM	2
5	R21422	MS160 HYDRAULIC MOTOR	1
6	384-02-00-007	60B - 18 SPR.-1 1/4" STR SHAFT	1
7	384-02-00-072	SPROCKET FOR 6 TOOTH SPLINE	1
8	R07744	1/2" x 2 CARRIAGE BOLT	4
9	R07805	1/2 LOCK WASHER	4
10	R07785	1/2 HEX NUT	4
11	384-02-00-005	GUARD	1
12	R07698	1/4 x 1/2 HEX BOLT	2
13	R07801	1/4 LOCK WASHER	2
14	R20815	7/8-14 SAE M x 3/4" ADAPTOR	1
15	R21202	3/4" NPT IN-LINE CHECK VALVE	1
16	R21338	3/4" PIONEER TIP	2
17	R07911	3/8 x 3/4" SET SCREW	2
18	R20883	60-18 COUPLING CHAIN	1
19	R21332	3/4M x 3/4F NPT 90 SWIVEL ADAPTOR	1
20	R21323	7/8" x 3/4" NPT SWIVEL ADAPTOR	1
21	R21393	3/4" HYDRAULIC TEE	2

TANK VENT KIT

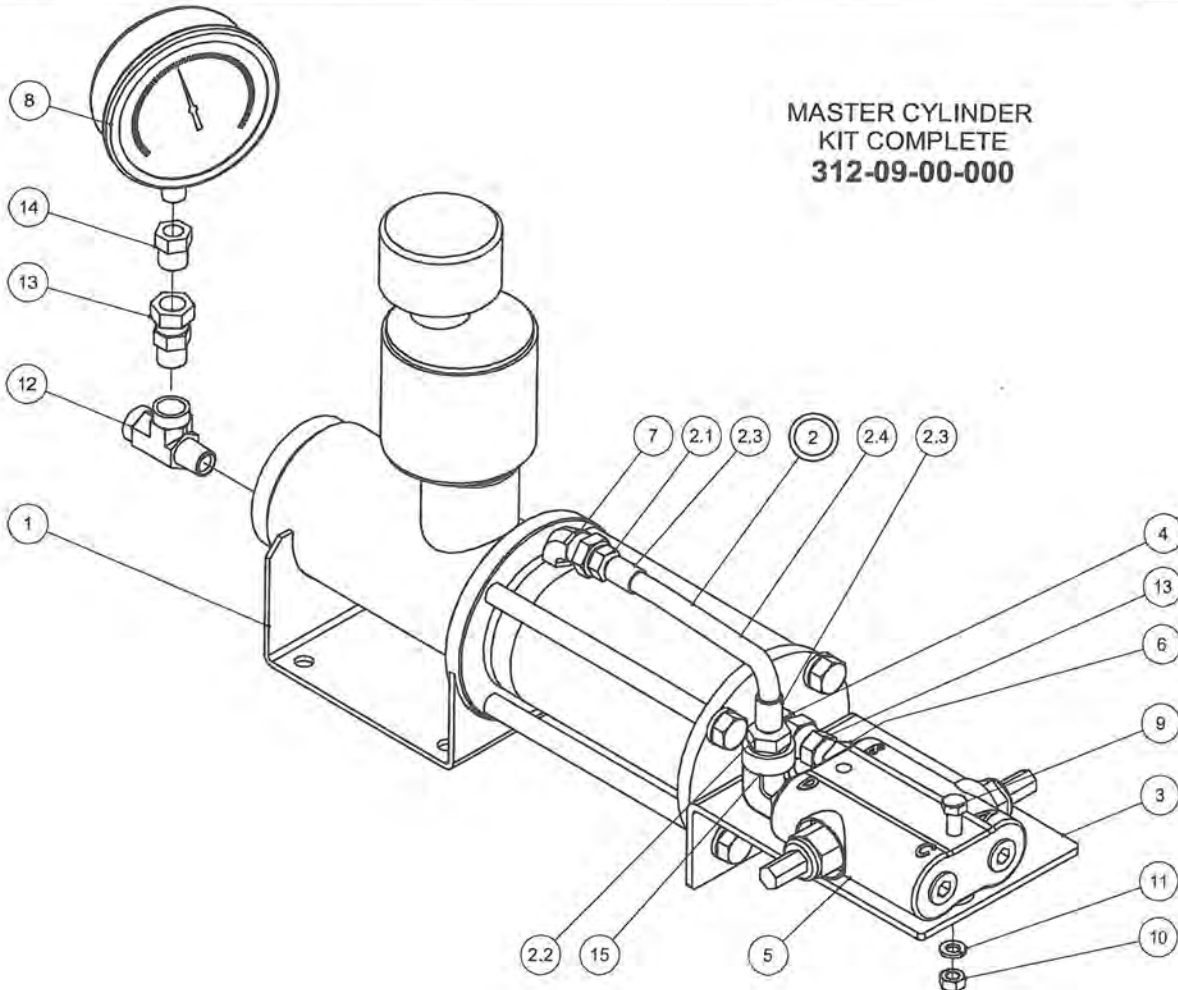


TANK VENT KIT
357-51-00-000
 (OPTIONAL)

PARTS LIST				PARTS LIST			
ITEM	PART NUMBER	DESCRIPTION	QTY	ITEM	PART NUMBER	DESCRIPTION	QTY
1	357-51-01-000	VENT TUBE ASSY	1	4	357-51-00-258	LOWER STAINLESS STEEL WASHER	1
1.1	357-51-01-246	VENT TUBE	1	5	357-51-00-334	RUBBER PLUG	1
1.2	357-51-01-247	VENT STRAP	1	6	R07891	7/16 2-WAY LOCK NUT	1
1.3	357-51-01-248	INNER SLIDE TUBE	1	7	R07690	5/16 x 5/8 HEX BOLT	2
1.4	357-51-01-335	OUTER NIPPLE	1	8	357-51-00-249	SPRING	1
2	357-51-02-000	CAP ASSY	1	9	R07689	7/16 x 7 HEX BOLT	1
2.1	357-51-02-251	SLEEVE	1	10	R07833	7/16" SAE FLAT WASHER	2
2.2	357-51-02-252	ELBOW SECTION	2	11	R08178	7/16 NYLOCK HEX NUT	1
2.3	357-51-02-253	ELBOW MIDDLE SECTION	1	12	R02969	3 1/2" HALF COUPLER	1
3	357-51-00-250	STAINLESS STEEL WASHER	1				

MASTER CYLINDER KIT COMPLETE

PARTS LIST			
ITEM	PART NUMBER	DESCRIPTION	QTY
1	312-06-00-000	MASTER CYLINDER KIT	1
2	312-06-05-000	HYD HOSE ASSY	1
2.1	R20803	3/8 - 16 NPT SOLID MALE STEM	1
2.2	R20804	1/4 STEM 1/2 NPT SOLID MALE STEM	1
2.3	R21231	STEEL FERRULE - 1/4"	2
2.4	312-06-05-048	1/4" RUBBER HYD HOSE	1
3	312-09-00-054	RELIEF VALVE MOUNT PLATE	1
4	R21397	3/8" HYDRAULIC NIPPLE	1
5	R21209	DUAL RELIEF VALVE	1
6	R02043	BUSHING 1/2 x 3/8	1
7	R21334	1/4 x 3/8-90 DEG SWIVEL ADAPTER	1
8	R21250	PRESSURE GAUGE	1
9	R07614	5/16" x 2 1/2 HEX BOLT	1
10	R07812	5/16 HEX NUT	1
11	R07802	5/16 LOCK WASHER	1
12	R22247	3/8 TEE - MxFxF	1
13	R20812	3/8"M X 3/8"F NPT ST SWIVEL ADAPTOR	2
14	R02042	1/4" X 3/8" BUSHING	1
15	R21367	1/2 X 90 HYD ELBOW	1

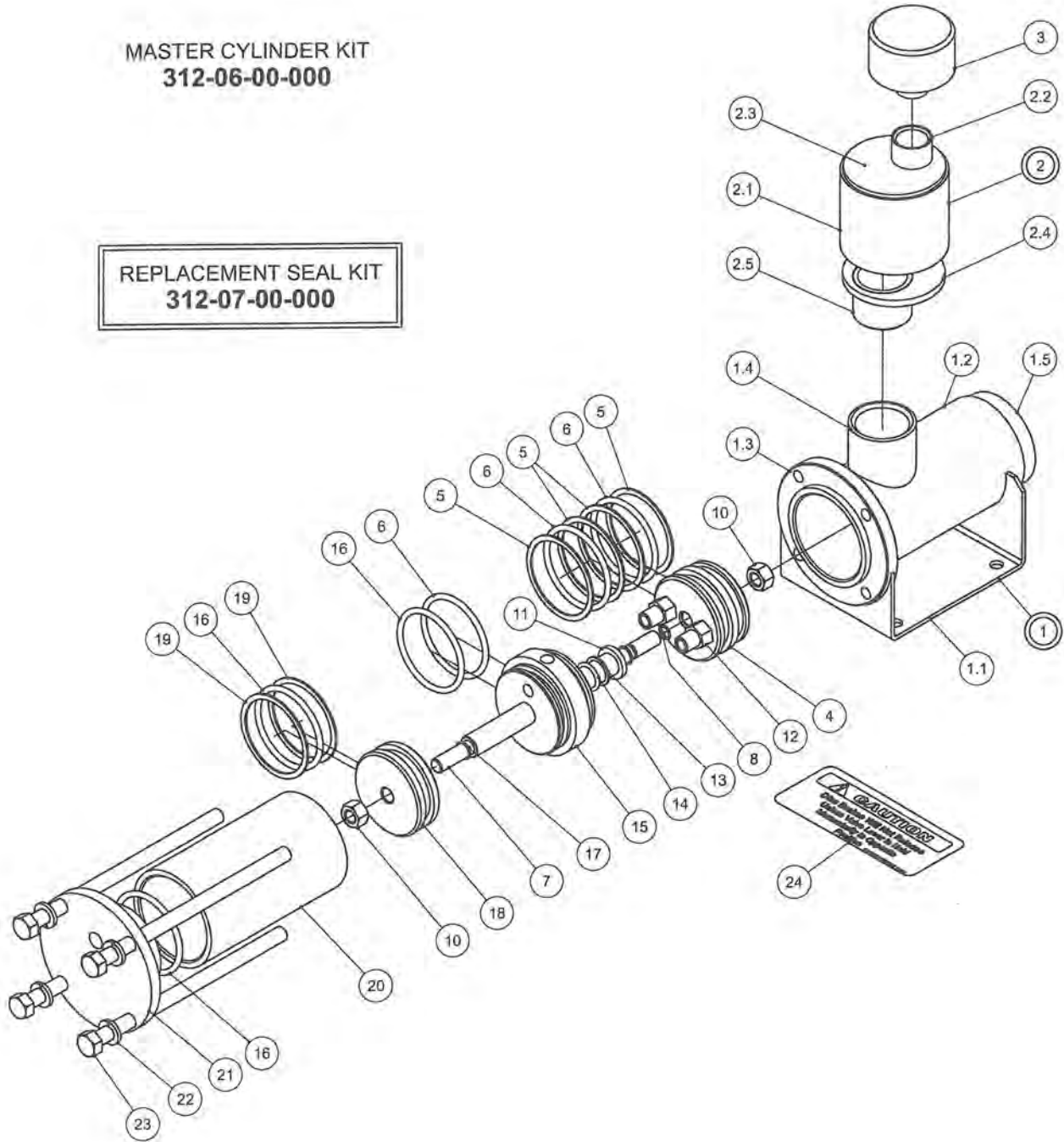


**MASTER CYLINDER
KIT COMPLETE
312-09-00-000**

MASTER CYLINDER KIT

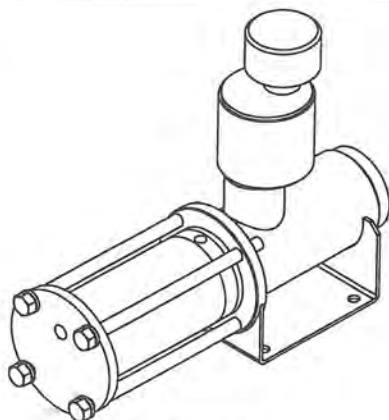
MASTER CYLINDER KIT
312-06-00-000

REPLACEMENT SEAL KIT
312-07-00-000

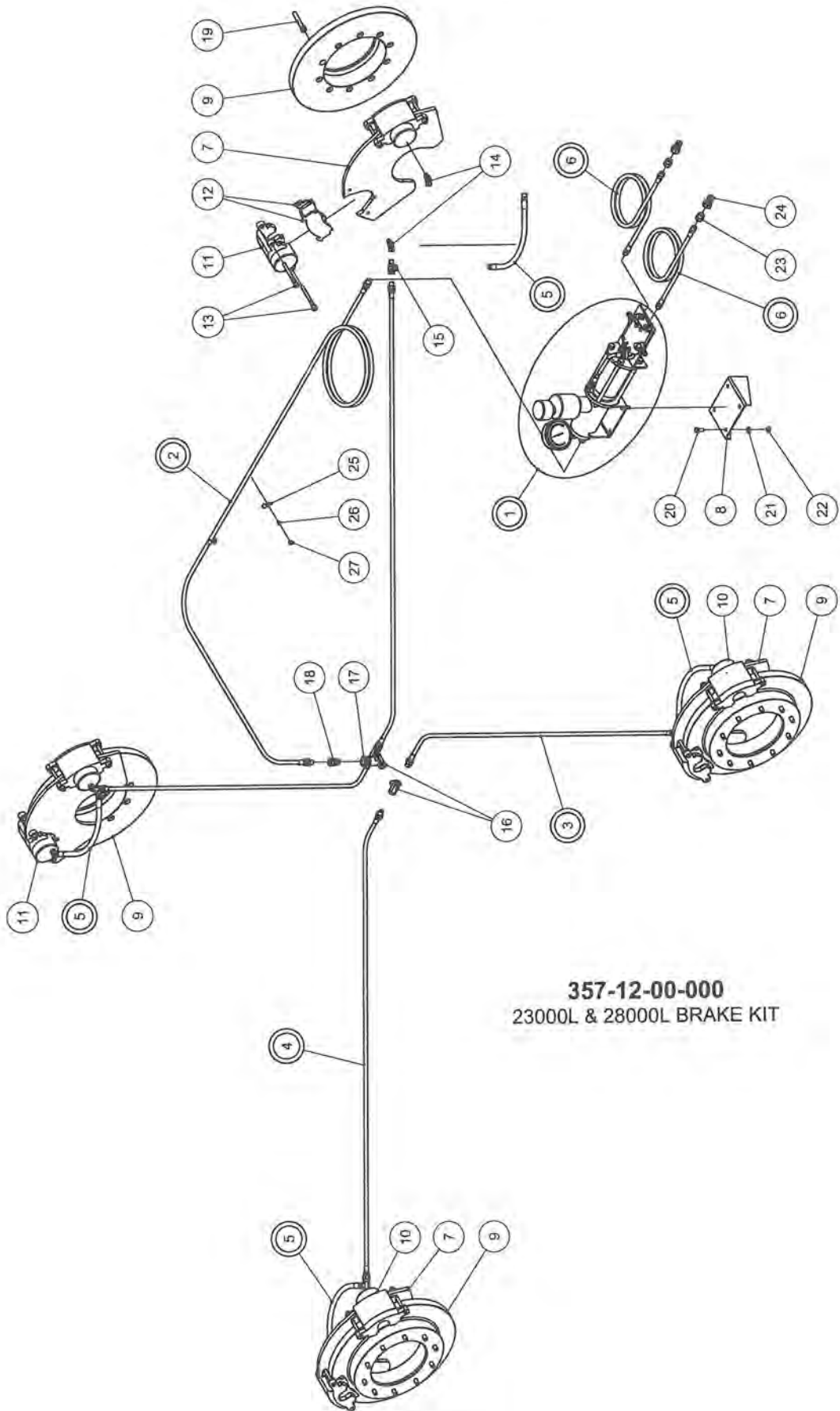


MASTER CYLINDER KIT

PARTS LIST			
ITEM	PART NUMBER	DESCRIPTION	QTY
1	312-06-02-000	MASTER CYLINDER TUBE ASSY	1
1.1	312-06-02-034	MOUNT PLATE	1
1.2	312-06-02-030	MASTER CYLINDER TUBE	1
1.3	312-06-02-031	MASTER CYLINDER FLANGE	1
1.4	312-06-02-033	COUPLER	1
1.5	312-06-02-032	MASTER CYLINDER END CAP	1
2	312-06-03-000	RESEVOIR ASSY	1
2.1	312-06-03-041	RESERVOIR TUBE	1
2.2	312-06-03-045	RESERVOIR COUPLING	1
2.3	312-06-03-042	RESEVOIR TOP PLATE	1
2.4	312-06-03-043	RESEVOIR BOTTOM PLATE	1
2.5	312-06-03-046	RESERVOIR NIPPLE	1
3	R21103	FILLER BREATHER	1
4	312-06-00-039	MASTER CYLINDER PLUNGER	1
5	R20873	TEFLON BACK UP #334	4
6	R20868	EP "O" RING #334 (2 5/8 x 3/16")	3
7	312-06-00-040	SHAFT	1
8	R20869	EP "O" RING 012 (3/8 x 1/2 x 1/16")	1
9	R20870	EP "O" RING 014 (1/2 x 5/8 x 1/16")	1
10	R07885	1/2 - 2 WAY LOCK NUT	2
11	R20774	3/4" HYTREL ROD WIPER 52-750	1
12	R21207	3/8" CHECK VALVE	2
13	R20874	3/4" HYTREL ROD WIPER 52-750	1
14	R20871	EP "O" RING 210 (3/4 x 1 x 1/8")	1
15	312-06-00-037	CYLINDER DIVIDER BLOCK	1
16	R20836	"O" RING #11-334 (2 5/8 x 3 x 3/16")	3
17	R20865	O-RING #11-014	1
18	312-06-00-038	HYDRAULIC PLUNGER	1
19	R20837	BACK UP #8-334	2
20	312-06-00-035	HYDRAULIC CYLINDER TUBE	1
21	312-06-00-036	HYDRAULIC CYLINDER END CAP	1
22	R07805	1/2 LOCK WASHER	4
23	R08434	1/2 x 13 UNC x 8 1/2" HEX BOLT	4
24	R09689	"CAUTION" DECAL	1



23000L & 28000L BRAKE KIT

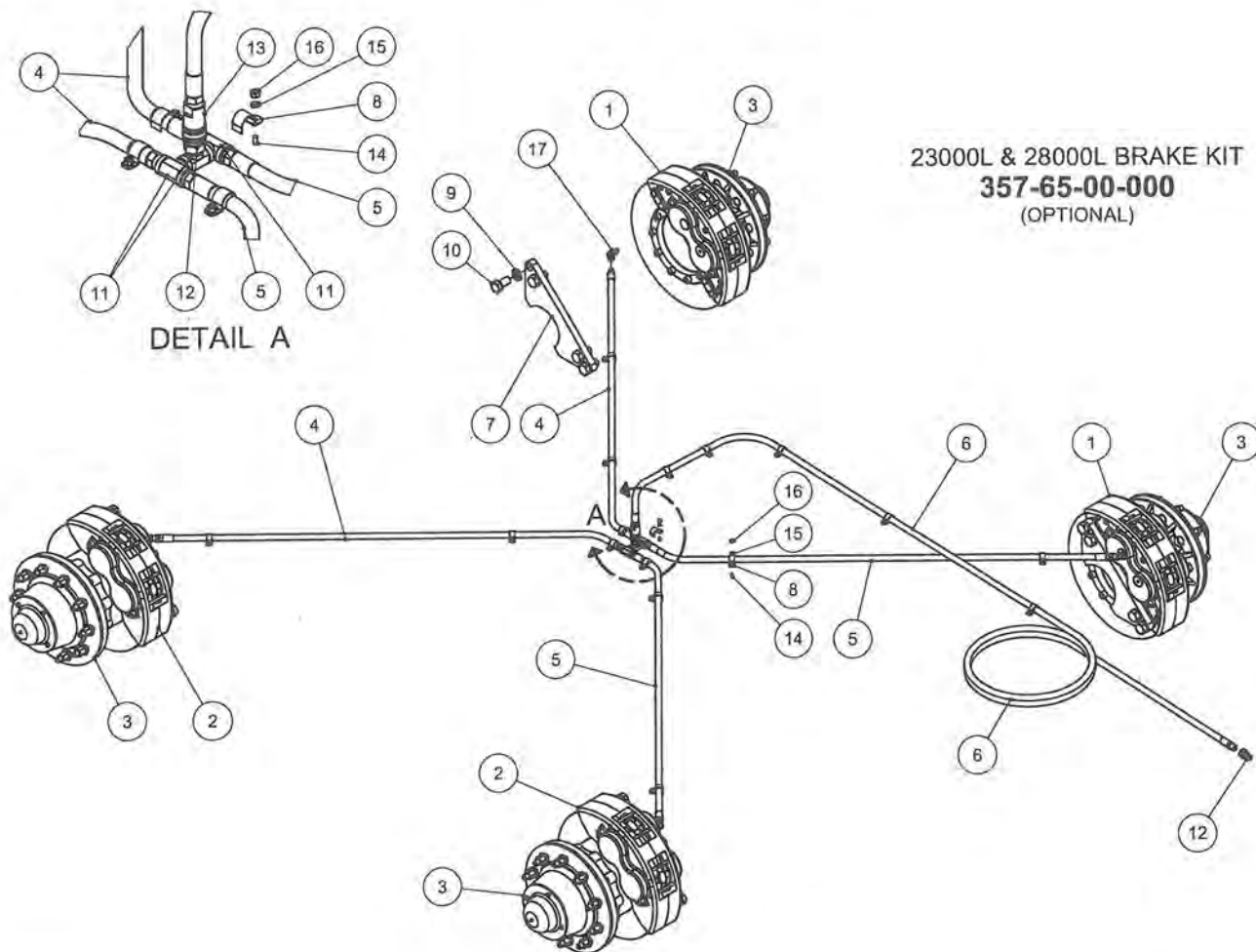


357-12-00-000
23000L & 28000L BRAKE KIT

23000L & 28000L BRAKE KIT

PARTS LIST			
ITEM	PART NUMBER	DESCRIPTION	QTY
1	312-09-00-000	MASTER CYLINDER KIT COMPLETE	1
2	340-17-38-000	MAIN BRAKE LINE ASSY	1
3	340-17-15-000	HYDRAULIC BRAKE HOSE ASSY-FRONT	2
4	340-17-16-000	HYDRAULIC BRAKE HOSE ASSY-REAR	2
5	357-13-00-000	SECONDARY BRAKE HOSE ASSY	4
6	340-17-39-000	HYD. HOSE MASTER CYL. TO TRACTOR	2
7	357-03-01-103	DOUBLE CALIPER MOUNTING PLATE	4
8	312-06-00-047	MASTER CYLINDER MT BRACKET	1
9	R22048	BOLT ON BRAKE DISC	4
10	R21065	RH DISC BRAKE CALIPER ASSY TC500	4
11	R21066	LH DISC BRAKE CALIPER ASSY TC501	4
12	R21067	BRAKE PADS (PAIR)	8
13	R21070	GUIDE PINS	16
14	R21308	45 DEG x 7/16 SAE x 1/4 NPT ADAPTOR	8
15	R21407	1/4" HYD TEE - F x F x M	4
16	R22111	3/8" HYD TEE - F x F x M	3
17	R21337	3/8" FEMALE PIONEER END	1
18	R21339	3/8" MALE PIONEER END	1
19	R07871	1/2 - 20 x 3 UNF SOCKET HEAD CAP SCREW	40
20	R07619	3/8 x 1 UNC HEX BOLT	4
21	R07803	3/8" LOCK WASHER	4
22	R07783	3/8-16 UNC HEX NUT	4
23	R02043	BUSHING 1/2 x 3/8	2
24	R21342	1/2" MALE PIONEER TIP	2
25	R21104	HYD. HOSE CLIPS	14
26	R08301	1/4 x 20 UNC x 1/2" WELD STUD	14
27	R07781	1/4 HEX NUT	14

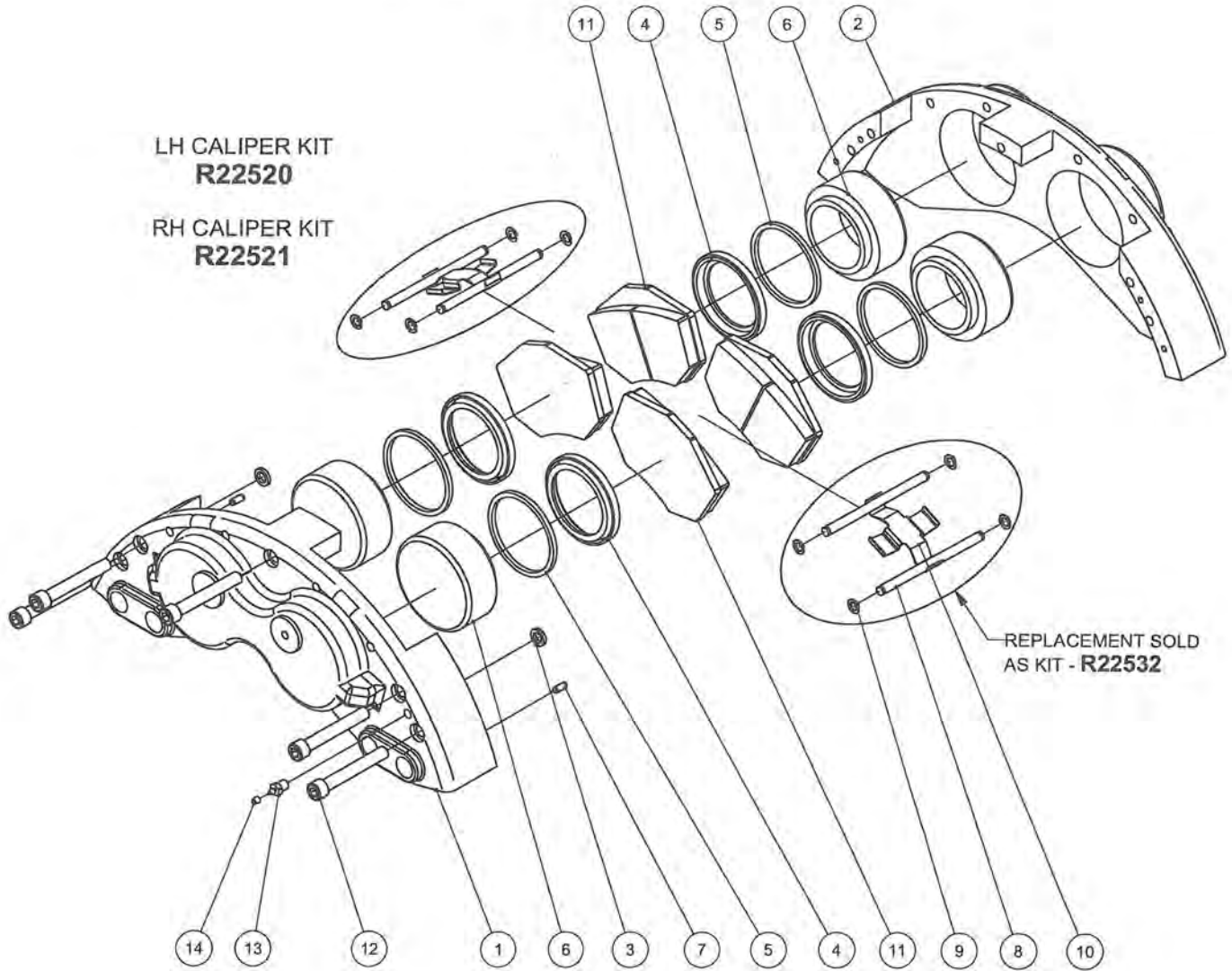
23000L & 28000L BRAKE KIT



23000L & 28000L BRAKE KIT
357-65-00-000
(OPTIONAL)

PARTS LIST			
ITEM	PART NUMBER	DESCRIPTION	QTY
1	R22520	KNOTT LH CALIPER ASSY	2
2	R22521	KNOTT RH CALIPER ASSY	2
3	357-65-01-000	HUB,SPACER & DISC KIT-25000	4
4	357-65-03-000	1/2" REAR BRAKE HOSE ASSY	2
5	357-65-04-000	HYDRAULIC BRAKE HOSE ASSY-FRONT	2
6	357-65-05-000	MAIN BRAKE LINE ASSY-1/2" TO TRACTOR	1
7	357-00-00-313	KNOTT BRAKE MT PLATE-25000LB HUB	4
8	R09778	3/4 DIAMETER STRAP	17
9	R07808	1" LOCK WASHER	16
10	R07661	1"-8 UNC X 2" HEX BOLT	16
11	R21217	1/2" HYD TEE - F x F x M	3
12	R21342	1/2" MALE PIONEER TIP	2
13	R21340	1/2" FEMALE PIONEER END	1
14	R08301	1/4 x 20 UNC x 1/2" WELD STUD	17
15	R07801	1/4 LOCK WASHER	17
16	R07781	1/4 HEX NUT	17
17	R21212	9/16"SAE X 1/2"NPT SW ADAPTOR	4

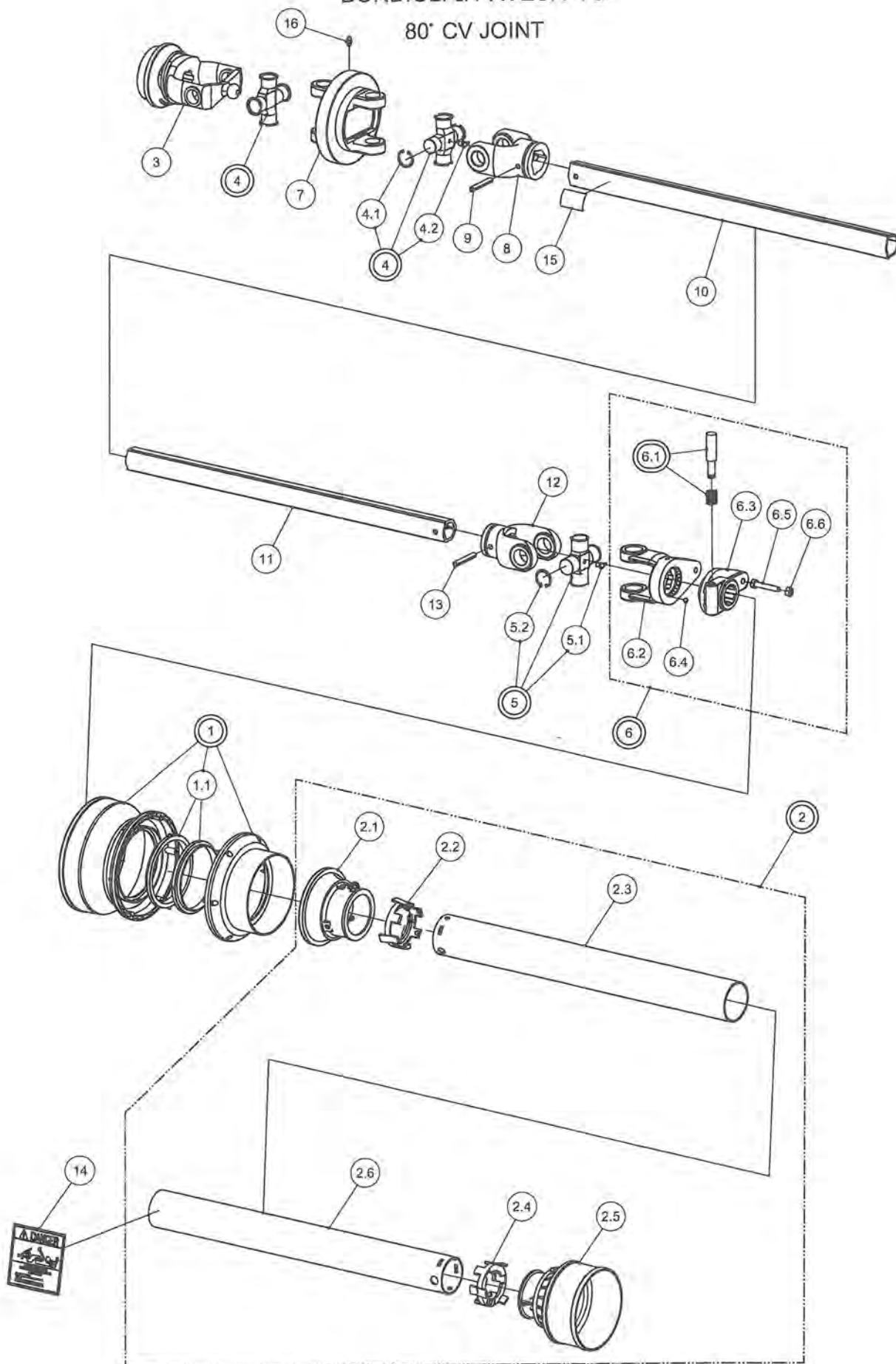
KNOTT - 4X85 HYDRAULIC FIXED CALIPER



PARTS LIST				
ITEM	PART NUMBER	KNOTT PART #	DESCRIPTION	QTY
1	NOT SOLD SEPARATELY	850126-011/012	CALIPER HOUSING A, MACHINED	1
2	NOT SOLD SEPARATELY	850184-010	CALIPER HOUSING B, MACHINED	1
3	R22557	850191-010	SEAL,SQUARE,CALIPER	2
4	R22552	35385	DUST RING	4
5	R22551	35383.02	SEAL,SQUARE,PISTON	4
6	R22561	850153-020	PISTON	4
7	R22564	850150-010	DOWEL PIN	2
8	NOT SOLD SEPARATELY	800506-010	RETAINER ROD	4
9	NOT SOLD SEPARATELY	850173-010	FASTENER E-CLIP	8
10	NOT SOLD SEPARATELY	850143-020	SPRING PAD	2
11	R22523	850181-010	BRAKE PAD	4
12	R08415	850132-040	FASTENER, SOCKET HEAD CAP SCREW	5
13	R22562	45559	BLEEDER	1
14	R22563	44129.02	BLEEDER CAP	1

BONDIOLI & PAVESI PTO

80° CV JOINT



**BONDIOLI & PAVESI PTO
80' CV JOINT - FOR LONG TONGUE
(ELITE & SLIM LINE SPREADERS)**

- R21582 540 RPM 6 TOOTH
- R21583 1000 RPM 21 TOOTH
- R21584 1000 RPM 20 TOOTH - 1 3/4"

PARTS LIST				
ITEM	MFG #	PART NUMBER	DESCRIPTION	QTY
1	517048001	R21703	COMPLETE SHELL	1
1.1	255040351	R21702	RING NUT DOWELS	2
2	5F04121E1654	R22182	SAFETY GUARD	1
2.1		R21697	O. BASIC CONES N3-4	1
2.2		R21696	O. BEARING 3-4	1
2.3		R21698	CM SAFETY TUBE	1
2.4	255040006	R21701	I. BEARING 3-4	1
2.5	517040061	R21700	I. CONE SET N3-4	1
2.6	236671007	R22178	CM SAFETY TUBE	1
3		R22204	#4 1 3/8" CV YOKE-21T SLIDING COLLAR YOKE	1
		R22203	#4 1 3/8" CV YOKE-6T SLIDING COLLAR YOKE	*
		R22205	#4 1 3/4" CV YOKE-20T SLIDING COLLAR YOKE	*
4	4120440012	R21682	CROSS JOURNAL ASSY	2
4.1	338009000	R21694	CIRCLIP	4
4.2	348004000	R21655	GREASE NIPPLE 45 DEG	1
5	41204	R21693	CROSS JOURNAL ASSY	1
5.1	348004000	R21655	GREASE NIPPLE 45 DEG	1
5.2	338017000	R21694	CIRCLIP	4
6	606404001	R21473	TORQUE LIM SB 4/4	1
6.1	401000001	R21451	COMPLETE PUSH BUTTON	1
6.2	213040020	R21704	SHEAR YOKE	1
6.3	513070324	R21706	HUB c/w QUICK DISCONNECT	1
6.4	362002000	R21705	1/4" BALL	23
6.5	432000047	R08251	M8 x 1.25 x 45 HEX BOLT	1
6.6		R08252	M8 x 1.25 LOCK NUT	1
7	511040051	R21685	CENTRAL BODY	1
8	215046854	R21686	YOKE	1
9	341038000	R21475	FLEXIBLE PIN	1
10	255311060	R22177	CARDAN TUBE	1
11	245101060	R22176	CARDAN TUBE CM	1
12	204046852	R21472	INNER TUBE YOKE	1
13	341048000	R21476	FLEXIBLE PIN	1
14		R21521	"ROTATING DRIVE LINE" DECAL	1
15		R21523	"SHIELD MISSING" DECAL	1
16	348017000	R21687	GREASE NIPPLE	1

HUSKY FARM EQUIPMENT LIMITED

ALMA, ON

N0B 1A0

PHONE: (519) 846-5329

FAX: (519) 846-9378

FIVE YEAR AXLE WARRANTY

Husky Farm Equipment Limited will guarantee for five (5) years from date of invoice, all Manure Spreader undercarriages and axle assemblies, if used on a farm for farm purposes.

Husky will replace free of charge:

1. Any part of the axle which should break or collapse through normal use.
2. Any spindles or hubs which should break through normal use.
3. Any wheel and rim assemblies which should fail through normal use.

Exempt from extended warranty are:

1. Any part of the axle which should break or collapse through overload. Overload includes: Any attachments (ie. injectors) and any product being transported in Spreader weighing more than 10 lb/gallon. (ie. manure mixed with sand).
2. Bearings and tires which are covered under normal warranty and do require maintenance to avoid failure.
3. Wheel or rim damage resulting from owner failing to keep wheel bolts tight.
4. Spindles damaged through bearing failure.
5. Any axle that is custom built.
6. Any axle used in commercial custom hauling applications.

To qualify for extended warranty, damaged parts must be returned to Husky Farm Equipment Limited, prepaid shipping, along with serial number and copy of the original invoice.

All parts supplied by Husky on warranty, will be shipped freight collect. Extended warranty covers damaged parts only and does not cause liability on Husky for any damage resulting from such failure.

TEN YEAR WARRANTY AGAINST RUSTOUT

Husky Farm Equipment provides a ten (10) year warranty from date of invoice, against premature perforation (rust out) of any liquid manure spreader manufactured. Providing the manure spreader is used for manure or sludge and not for chemical products.

Extended warranty is pro rated and will be paid only through the crediting off of the then current list price of a replacement manure spreader of the portion of warranty not used up in time.

Warranty will be effective toward replacing spreader only and no cash payment will be made. It will be understood that the original equipment to be replaced will then become property of Husky Farm Equipment Limited.

This extended warranty will be effective through Husky Farm Equipment factory or factory outlet only. A copy of the original invoice is to be supplied along with the serial number. This warranty will not be effective for commercial custom haulers or to owners other than the original.

Transportation to and from the factory is to be paid for by the owner of the equipment and not by Husky Farm Equipment Limited.