

Office Copy

02/08/2005 - 14 made
Feb 24/06 - 1 "
Mar 22/06 - 5 "

Date Purchased _____ Machine Serial No. _____

Size of Spreader _____ Options _____

PLEASE NOTE:

The key number system in this parts book is arranged as follows:

- ⊙-- Key numbers with two circles denotes main assemblies.
- Key numbers with one circle are individual parts.

Please order parts by number

18000L SLIM LINE

HUSKY LIQUID MANURE SPREADER

394-00-00-000

OPERATING INSTRUCTIONS:

1. Heed all warnings.
2. Minimum HP requirements to safely operate on level terrain, on hilly terrain HP should be increased.

14000L	130 HP
15000L	140 HP
18000L	160 HP
23000L	200 HP
28000L	250 HP
3. If machine is equipped with hydraulic brakes that are operated from the tractor hydraulics, they will not work should the tractor motor stop.
Inspect brakes before each use. Brakes must be bled before initial use unless installed at factory.
When releasing brakes the tractor hydraulic lever must be put in the opposing position to release pressure. Do not put in float position they will not release.
4. Tractor PTO spline must be approximately 14" (355 mm) from end of compressed PTO for proper adjustment.
5. Hitch tanker to tractor with minimum of 1" (25mm) hardened hitch pin with a safety lock. Use 10,000 Lbs safety chain from spreader to tractor.
6. Do not use tongue jack stand to support loaded spreader. Put jack in storage position before using.
7. When hooking PTO to tractor make sure motor is stopped. Make sure QD (Quick Disconnect) safety locking pin is in locked position before using.
8. Clean off hose ends before plugging into tractor hydraulics. If spreader is equipped with hydraulic drive on spreading attachment, make sure tractor has sufficient oil flow and pressure to maintain satisfactory spread pattern, if not use another tractor.

OPERATING INSTRUCTIONS continued:

9. After using spreader in freezing conditions make sure impeller housing is drained.
10. Wash tank inside and out each time work is finished. This will increase life of tank by many years. See item 6 of Safety instructions.
11. Do not drive on public roads after dusk unless equipped with lights required by Department of Transportation in your area.
12. Remove wheels annually and grease wheel bearings.
13. Because manure smells, many farmers have made unfriendly neighbours. If in a residential area a manure injector is a recommended option to bury the smell.
14. Much of the fertilizer value of manure is lost when exposed to air. Getting the manure covered quickly is a very important part of spreading manure.
15. If rustproof coating on interior shows signs of deterioration, have interior repainted. This can be done with a roller or brush. This helps to increase the life of your spreader. It is a valuable maintenance procedure.

SAFETY INSTRUCTIONS:

Do not operate this machine until you fully understand the safe operating practices.

1. Make sure all moving parts are shielded to prevent coming in contact with loose clothing.
2. Keep children clear, do not let children or anyone ride on the spreader at anytime.
3. Do not support loaded spreader on tongue jack.
4. Keep tire pressure to recommended pressure at all times. Recommended tire pressure being:

		Lbs	KPA
40 x 14	Airplane Tires	55	379
44 x 16	Airplane Tires	55	379
47 x 18 x 18	Airplane Tires	55	379
50 x 20 x 20	Airplane Tires	55	379
16.5L x 16.1	Implement Tires	35	241
21.5L x 16.1	Implement Tires	35	241
18.4L x 26	Turf Tires	30	207
23.1L x 26	Turf Tires	24	166
28L x 26	Turf Tires	24	166
30.5L x 32	Turf Tires	24	166
35.5L x 32	20 ply Turf Tires	32	220
18L x 22.5	Truck Tires	65	448
23.5L x 25	Loader Dozer Tires	55	379

1 Lb = 6.8947 KPA

5. Keep wheel bolts torqued to recommended torque at all times.

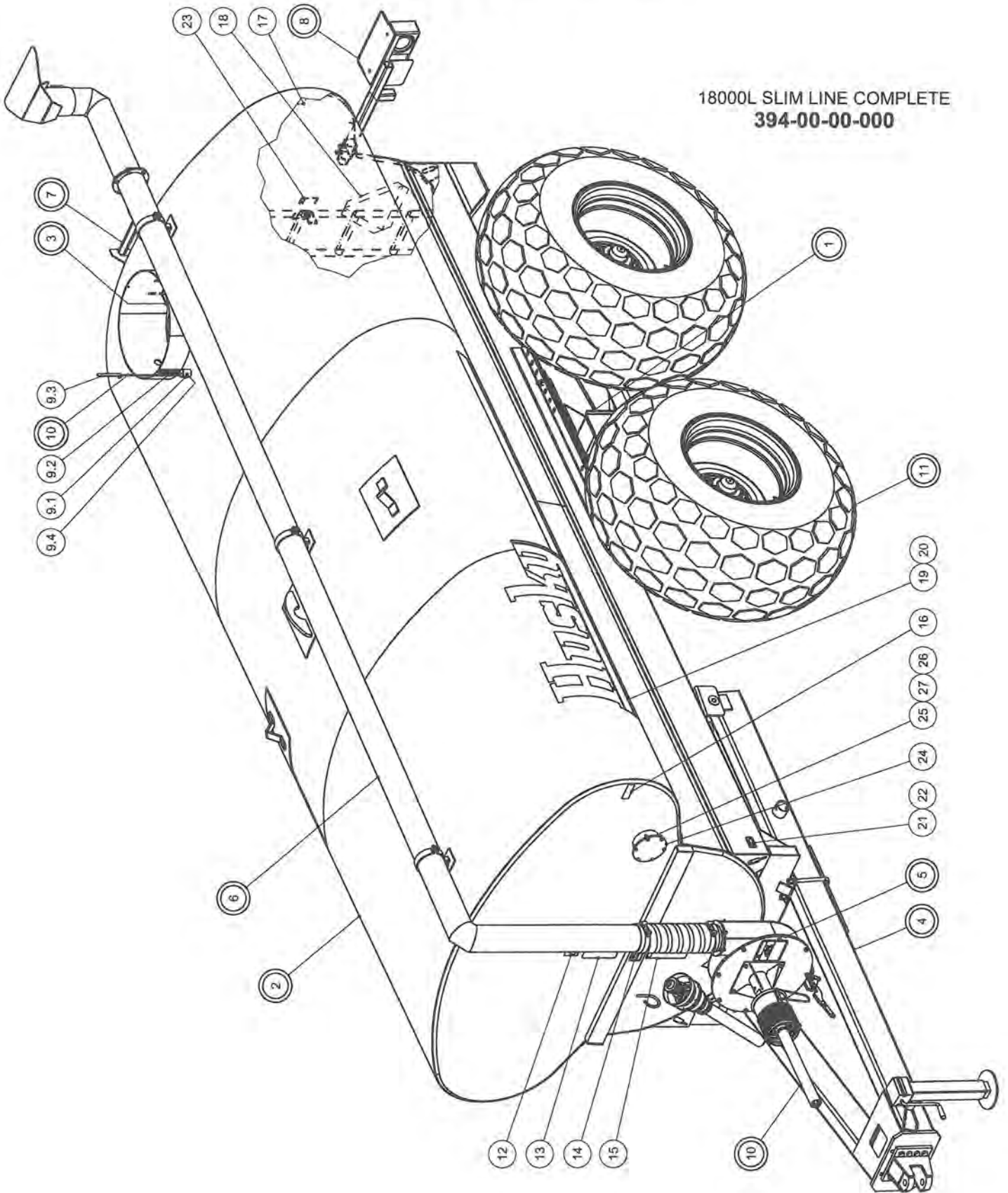
Wheel Bolt Size	Torque Dry	Ft./Lbs. Oiled	Torque Dry	Meter/Kg Oiled
9/16 - 18 NF GR. 5	120	90	16.59	12.44
5/8 - 18 NF GR. 8	240	180	33.18	24.89
3/4 - 16 NF GR. 8	420	310	58.07	42.86

(Check Daily)

6. Never enter a tanker without special breathing equipment to supply oxygen. Manure gases can kill instantly. One breath of Hydrogen Sulphide can kill.
7. When looking up or repairing hydraulic hoses always wear safety glasses and relieve pressure to avoid getting oil in eyes.
8. Caution - disc brakes will not release unless valve lever is held momentarily in opposite position. This will relieve pressure in brake line. Do not put in float position, they will not release.

18000L SLIM LINE COMPLETE

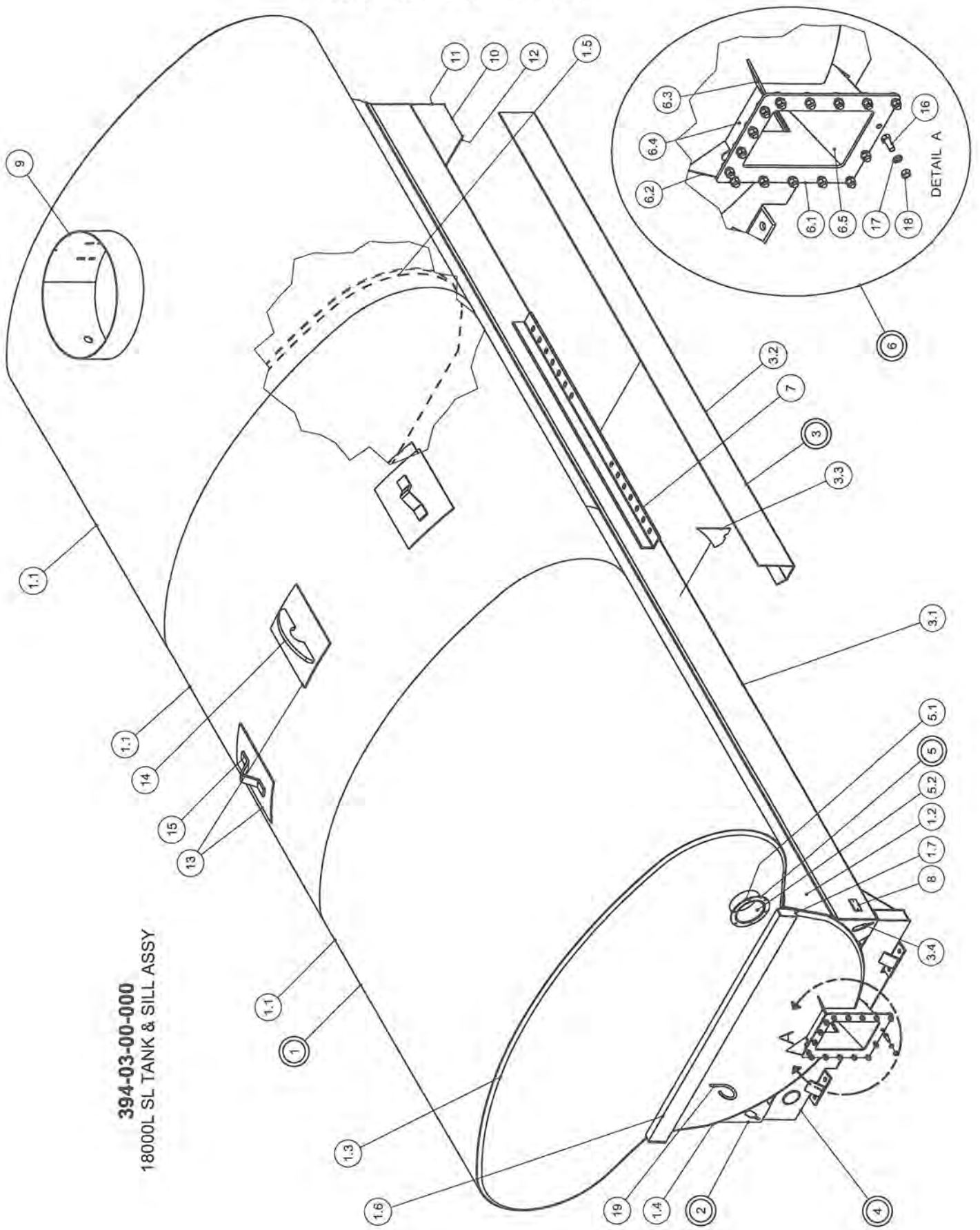
18000L SLIM LINE COMPLETE
394-00-00-000



18000L SLIM LINE COMPLETE

PARTS LIST			
ITEM	PART NUMBER	DESCRIPTION	QTY
1	394-01-00-000	18000 L AXLE KIT	1
2	394-03-00-000	18000L TANK & SILL ASSY COMPLETE	1
3	357-63-00-000	SAFETY BAR ASSY	1
4	357-29-00-000	TONGUE & HITCH KIT - EXTENDED	1
5	364-56-00-000	1000 FAN & HOUSING KIT	1
6	394-04-00-000	6" DISCHARGE PIPE KIT	1
7	394-07-00-000	LADDER ASSY	1
8	357-30-00-000	TAIL LIGHT KIT	1
9	340-62-00-000	INDICATOR KIT	1
9.1	340-00-00-536	FLAG SPRING HOLDER	1
9.2	R08037	SPRING FOR SPREADER FLAG	1
9.3	340-62-00-553	INDICATOR HOSE	1
9.4	R07926	5/16-18 x 1/4" SET SCREW	1
10	R21583	PTO - 1000 RPM	1
11	330-04-00-000	28L x 26 TIRE & WHEEL ASSY	4
12	R09509	"MADE IN CANADA" DECAL - LARGE	1
13	R09730	TORQUE, TIRE PRESSURE DECAL	1
14	R09512	CAPACITY DECAL	1
15	R09783	"CAUTION" DECAL	1
16	R10097	AMBER REFLECTOR	1
17	R10096	RED REFLECTOR	2
18	R09501	SLOW MOVING VEHICLE DECAL	1
19	R09510	"HUSKY" DECAL	2
20	R09511	ACCENT STRIP	2
21	R09071	SERIAL NUMBER PLATE	1
22	R08152	6 x 1/4 PAN HD SOCKET SCREW	2
23	R09784	"DANGER TOXIC GAS" DECAL	1
24	330-00-00-559	ACCESS TUBE COVER PLATE	1
25	R07675	3/8 x 1 1/4" HEX BOLT	6
26	R07783	3/8 HEX NUT	6
27	R07803	3/8 LOCK WASHER	6

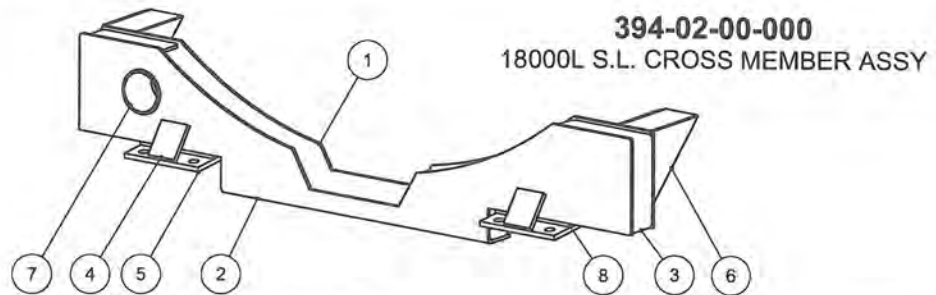
18000L SLIM LINE TANK ASSY



394-03-00-000
18000L SL TANK & SILL ASSY

18000L SLIM LINE TANK ASSY

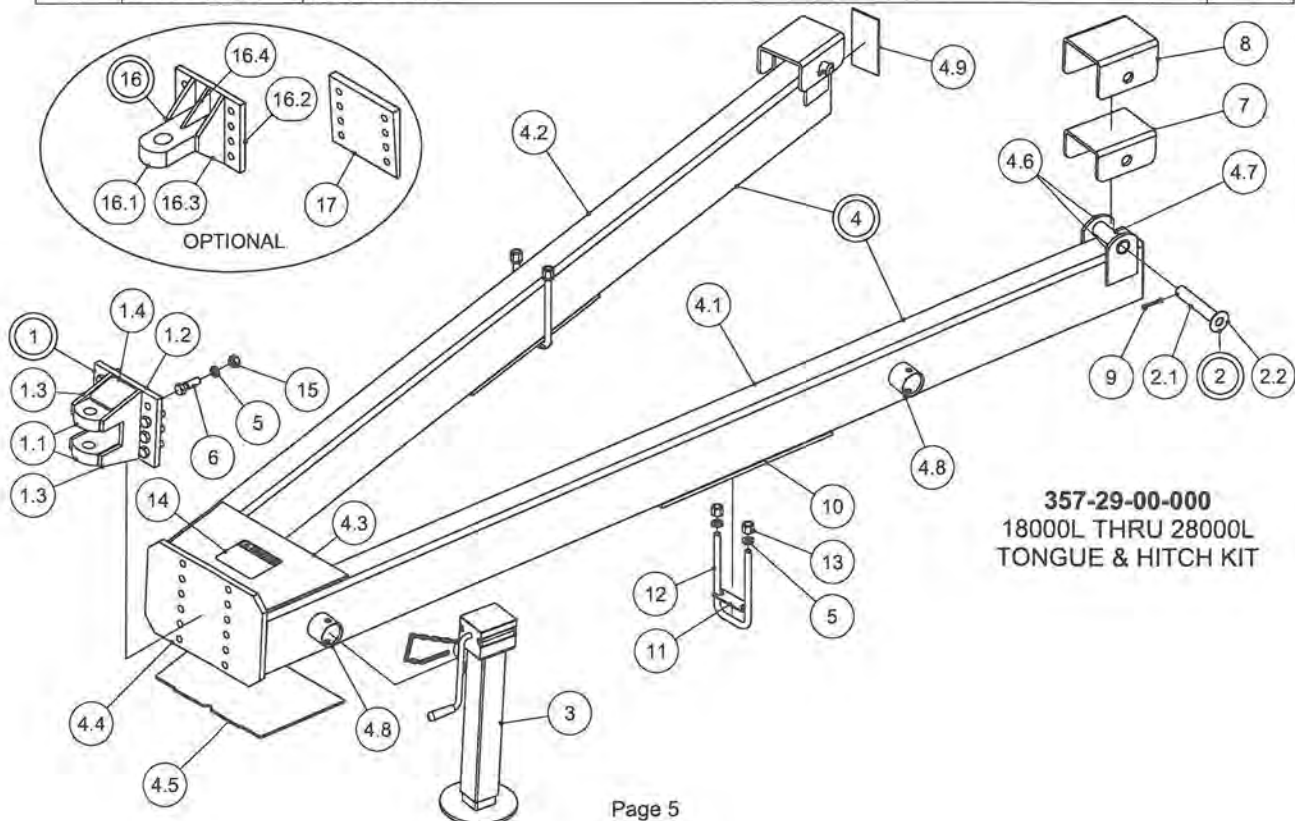
PARTS LIST			
ITEM	PART NUMBER	DESCRIPTION	QTY
1	394-03-01-000	18000L TANK ASSY	1
1.1	394-03-01-019	TOP SHELL	3
1.2	394-03-01-020	BOTTOM SHELL	2
1.3	394-03-01-021	TOP END	2
1.4	394-03-01-022	BOTTOM FLANGED END	2
1.5	394-03-01-023	BAFFLE	2
1.6	394-03-01-024	TANK END STIFFENER	2
1.7	330-66-00-258	STIFFENER END CAP	4
2	394-03-03-000	R.H. SILL ASSY (SEE 394-03-02-000 FOR PARTS)	1
3	394-03-02-000	L.H. SILL ASSY	1
3.1	394-03-02-027	SILL	1
3.2	394-03-02-028	INNER SILL	1
3.3	394-03-02-029	SILL STIFFENER	4
3.4	394-03-02-030	SILL CAP	2
4	394-02-00-000	CROSS MEMBER	1
5	330-20-03-000	ACCESS TUBE ASSY	1
5.1	330-20-03-560	ACCESS TUBE FLANGE	1
5.2	330-20-03-556	ACCESS TUBE	1
6	364-82-00-000	FLANGED TANK OUTLET	1
6.1	364-81-02-393	HOUSING FLANGE	1
6.2	364-82-00-395	LH OUTLET SIDE PC	1
6.3	364-82-00-396	RH OUTLET SIDE PC	1
6.4	364-01-03-104	OUTLET TOP PC	1
6.5	364-01-03-105	OUTLET BOTTOM PC	1
7	364-02-00-280	AXLE ADJUSTMENT ANGLE	2
8	340-01-00-498	SERIAL NO. BACK PLATE	1
9	364-02-00-006	24" MANHOLE	1
10	394-03-00-063	SILL TUBE	2
11	394-03-00-065	TUBE CAP	2
12	394-03-00-064	ANGLED TUBE CAP	2
13	340-01-00-546	LIFT HOOK REINFORCING PLATE	3
14	340-01-00-555	CENTER LIFT HOOK	1
15	300-01-00-012	TANK LIFT HOOK	2
16	R07674	1/2 x 1 1/4 HEX BOLT	16
17	R07805	1/2 LOCK WASHER	16
18	R07785	1/2 HEX NUT	16
19	315-30-00-108	HYD. HOSE HOOK	1



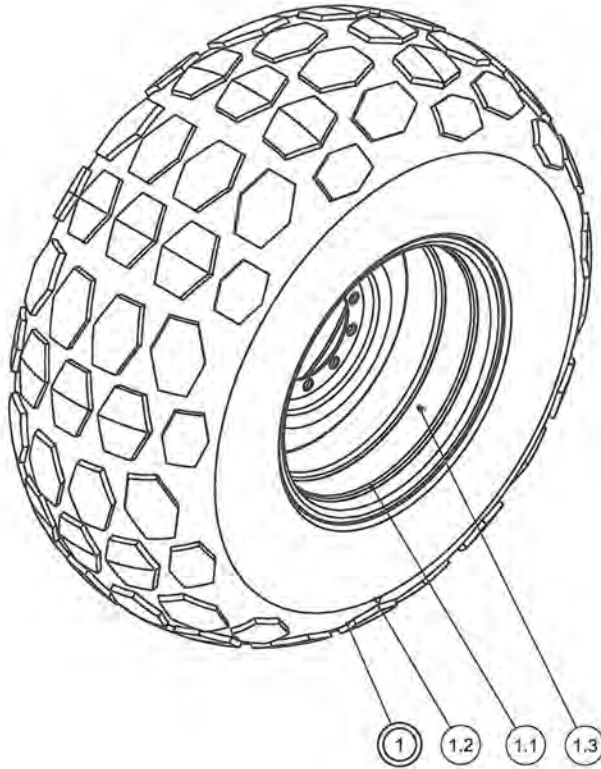
PARTS LIST			
ITEM	PART NUMBER	DESCRIPTION	QTY
1	394-02-00-036	REAR CROSS MEMBER	1
2	394-02-00-035	FRONT CROSS MEMBER	1
3	394-02-00-037	CROSS MEMBER CAP	2
4	364-02-17-123	TONGE STRAP GUSSET	2
5	358-45-00-148	TONGUE STRAP	2
6	340-07-00-330	DOUBLE GUSSET	2
7	395-02-00-020	ACCESS TUBE	1
8	394-02-00-059	FILLER ROD	2

18000L THRU 28000L TONGUE & HITCH KIT

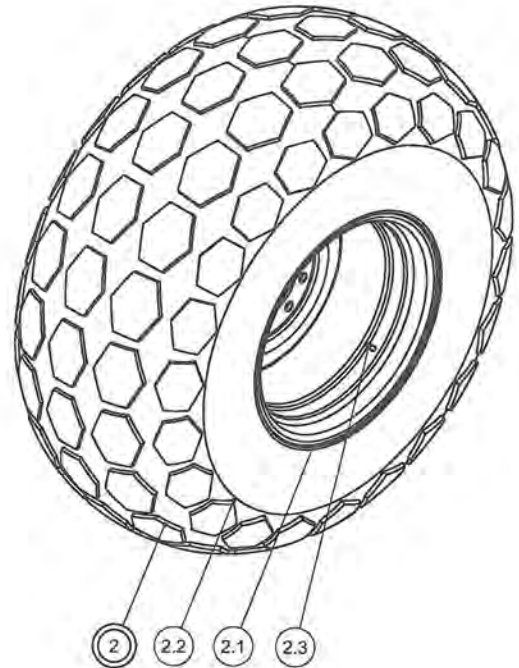
PARTS LIST			
ITEM	PART NUMBER	DESCRIPTION	QTY
1	358-43-00-000	HITCH ASSY	1
1.1	358-43-00-140	HITCH PLATE	2
1.2	358-43-00-139	HITCH BACK PLATE	1
1.3	358-43-00-141	HITCH SIDE GUSSET	2
1.4	358-43-00-142	HITCH UPPER GUSSET	2
2	315-39-00-000	LOCK PIN ASSY	2
2.1	315-39-00-155	TONGUE LOCK PIN	1
2.2	R07828	1" FLAT WASHER	1
3	357-14-00-000	8000 LB JACK KIT	1
4	357-27-00-000	TONGUE ASSY	1
4.1	357-27-00-165	LH TONGUE TUBE	1
4.2	357-27-00-164	RH TONGUE TUBE	1
4.3	357-27-00-166	UPPER TONGUE TUBE GUSSET	1
4.4	358-42-00-137	HITCH BOLT PLATE	1
4.5	357-27-00-310	LOWER TONGUE TUBE GUSSET	1
4.6	315-36-00-146	TONGUE SIDE PC	4
4.7	315-36-00-145	TONGUE BUSHING	2
4.8	364-35-00-245	TONGUE JACK BRKT	2
4.9	315-36-00-147	TONGUE TUBE COVER	2
5	R07807	3/4" LOCK WASHER	12
6	R07655	3/4 x 2 1/2 HEX BOLT	8
7	315-31-00-115	TONGUE "U" PC	2
8	394-03-00-014	TONGUE "U" PC (USED ON SLIM LINE MODEL ONLY)	2
9	R08016	1/4 x 2 COTTER PIN	2
10	357-00-00-129	TONGUE REINFORCING PLATE	2
11	364-00-00-131	U - BOLT SPACER	2
12	R08172	3/4" UNF x 10" - "U" BOLT	2
13	R07820	3/4" FED. HIGH HEX NUT	4
14	R09672	CAUTION PTO LENGTH DECAL	1
15	R07787	3/4 - 10 UNC HEX NUT	8
16	358-44-00-000	SINGLE POINT HITCH ASSY	1
16.1	364-26-00-091	SINGLE POINT HITCH	1
16.2	358-43-00-139	HITCH BACK PLATE	1
16.3	358-44-00-144	SIDE GUSSET	2
16.4	358-44-00-145	TOP GUSSET	2
17	358-00-00-143	WEDGE PLATE	1



18000L TIRES



30.5L x 32 TIRE & WHEEL ASSY
357-07-00-000
 (OPTIONAL)

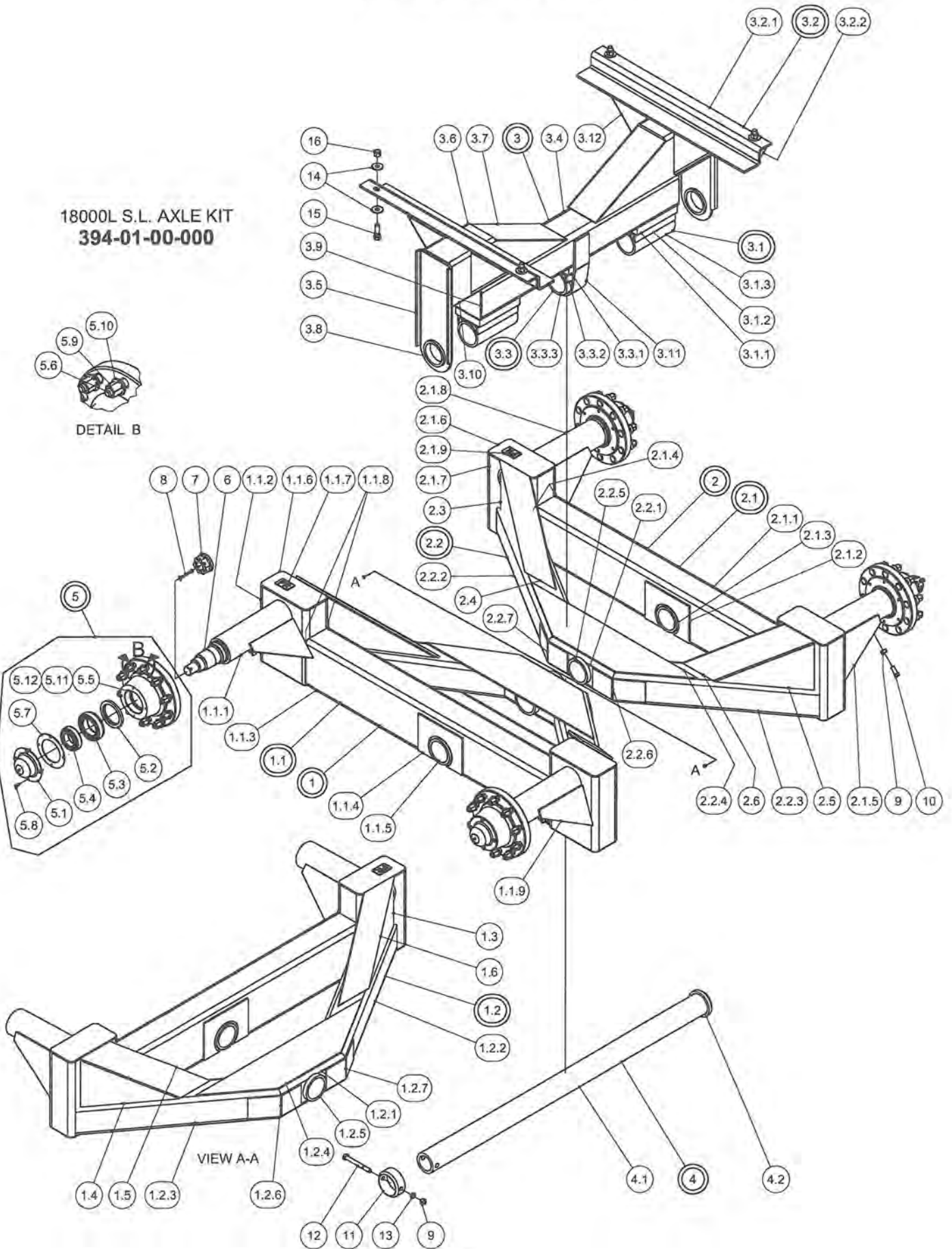
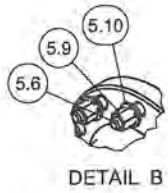


28L x 26 TIRE & WHEEL ASSY
330-04-00-000

PARTS LIST			
ITEM	PART NUMBER	DESCRIPTION	QTY
1	357-07-00-000	30.5L x 32 TIRE & WHEEL ASSY - 25000LB	4
1.1	R22071	30.5 - 25000lb RIM	1
1.2	R22070	30.5L x 32 R3 12 PLY TIRE	1
1.3	R20161	VALVE STEM	1
2	330-04-00-000	28L x 26 TIRE & WHEEL ASSY	4
2.1	R20040	28L x 26 - 16000lb RIM	1
2.2	R20015	28L x 26 TURF TIRE	1
2.3	R20161	VALVE STEM	1

18000L SLIM LINE AXLE KIT

18000L S.L. AXLE KIT
394-01-00-000

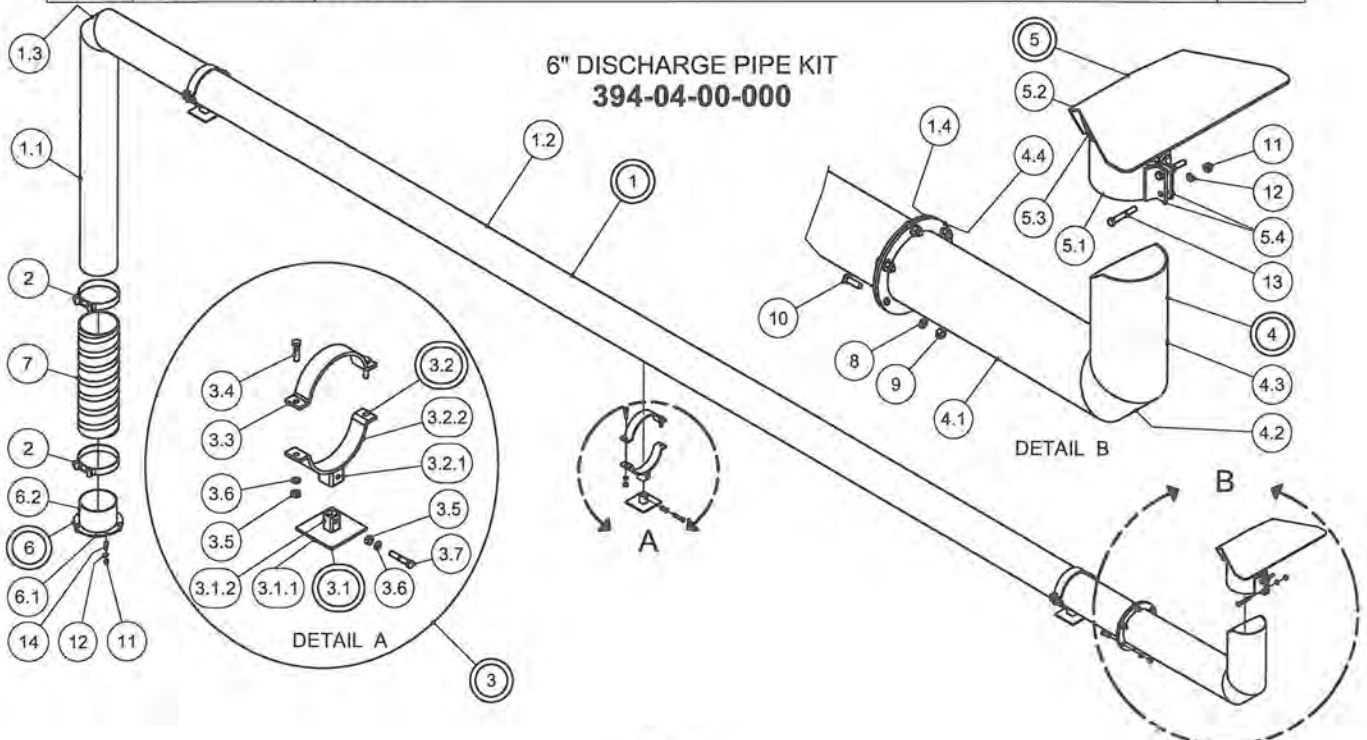


18000L SLIM LINE AXLE KIT

PARTS LIST				PARTS LIST			
ITEM	PART NUMBE	DESCRIPTION	QT	ITEM	PART NUMBE	DESCRIPTION	QT
1	394-01-08-000	LH TANDEM SIDE ASSY	1	3.1	358-09-02-000	OUTER SLEEVE ASSY	2
1.1	394-01-03-000	LH WALKING BEAM ASSY	1	3.1.1	358-85-00-251	SPACER BAR	1
1.1.1	358-83-01-230	SPINDLE SLEEVE	2	3.1.2	340-07-08-323	5" CHANNEL @ 9LB	1
1.1.2	394-01-03-009	FRONT LH VERTICAL TUBE	2	3.1.3	340-07-08-322	STATIONARY SLEEVE	1
1.1.3	394-01-03-008	WALKING BEAM	1	3.2	330-69-01-000	SILL "Z" PLATE ASSY	2
1.1.4	394-01-03-051	ROCKER SLEEVE REINORCING PLATE	2	3.2.1	358-85-00-253	SILL "Z" PLATE	1
1.1.5	394-01-03-012	WALKER SLEEVE	1	3.2.2	330-69-00-550	GUSSET	2
1.1.6	394-01-03-017	COVER PLATE	4	3.3	394-01-11-000	INNER SLEEVE ASSY	1
1.1.7	358-01-00-401	"FRONT" PLATE	1	3.3.1	394-01-11-016	SPACER BAR	1
1.1.8	394-01-03-056	FILLER BAR	4	3.3.2	394-01-11-015	5" CHANNEL @ 9LB	1
1.1.9	394-01-03-013	SPINDLE SLEEVE GUSSET	4	3.3.3	394-01-02-006	CENTER SLEEVE TUBE	1
1.2	394-01-10-000	AXLE "A" FRAME ASSY	1	3.4	394-01-01-001	CROSS AXLE SUPPORT TUBE	1
1.2.1	394-01-10-018	CONNECTOR TUBE	1	3.5	394-01-01-004	HANGER BRKT	2
1.2.2	394-01-10-039	FRONT TANDEM ARM	1	3.6	394-01-01-002	CROSS AXLE EXTENSION TUBE	2
1.2.3	394-01-10-038	REAR TANDEM ARM	1	3.7	394-01-01-003	EXTENSION TUBE CAP	2
1.2.4	394-01-10-042	GUSSET	2	3.8	394-01-01-005	HANGER TUBE	2
1.2.5	358-83-01-235	WALKER SLEEVE	1	3.9	340-07-00-329	CROSS AXLE SUPPORT COVER PLATE	2
1.2.6	394-01-10-043	REAR TANDEM ARM GUSSET	1	3.10	394-01-01-033	FILLER PLATE	2
1.2.7	394-01-10-044	FRONT TANDEM ARM GUSSET	1	3.11	358-03-00-375	REINFORCING "U" PIECE	1
1.3	394-01-08-048	FRONT GUSSET	2	3.12	394-01-01-034	DOUBLE GUSSET	4
1.4	394-01-08-040	REAR GUSSET	2	4	394-01-07-000	MAIN AXLE TUBE	1
1.5	394-01-08-047	REAR GUSSET CAP	1	4.1	394-01-07-026	MAIN AXLE TUBE	1
1.6	394-01-08-050	FRONT GUSSET CAP	1	4.2	340-63-00-538	STOP RING	1
2	394-01-09-000	RH TANDEM SIDE ASSY	1	5	358-11-00-000	16000LB DUCTILE HUB KIT	4
2.1	394-01-04-000	RH WALKING BEAM ASSY	1	5.1	R20093	16000LB DUST CAP w/ FTG.	1
2.1.1	394-01-03-008	WALKING BEAM	1	5.2	R20083	CR-38730 HUB SEAL	1
2.1.2	394-01-03-051	ROCKER SLEEVE REINORCING PLATE	2	5.3	R20086	3 1/4" 476871 INNER CONE	1
2.1.3	394-01-03-012	WALKER SLEEVE	1	5.4	R20087	39585 2 1/2 OUTER CONE	1
2.1.4	394-01-03-056	FILLER BAR	4	5.5	R22049	HUB,C,BT,N,W,358-11-00-259	1
2.1.5	394-01-03-013	SPINDLE SLEEVE GUSSET	4	5.6	R20096	3/4" WHEEL BOLTS	10
2.1.6	394-01-03-017	COVER PLATE	4	5.7	R20084	DUST CAP GASKET. 10 BOLT	1
2.1.7	394-01-03-009	FRONT LH VERTICAL TUBE	2	5.8	R07690	5/16 x 5/8 HEX BOLT	4
2.1.8	358-83-01-230	SPINDLE SLEEVE	2	5.9	R07820	3/4" FED. HIGH HEX NUT	10
2.1.9	358-01-00-401	"FRONT" PLATE	1	5.10	R20152	3/4" SPHERICAL WASHER	10
2.2	394-01-10-000	AXLE "A" FRAME ASSY	1	5.11	R20088	47620 INNER CUP	1
2.2.1	394-01-10-018	CONNECTOR TUBE	1	5.12	R20089	39520 OUTER CUP	1
2.2.2	394-01-10-039	FRONT TANDEM ARM	1	6	340-00-00-347	16000 SPINDLE	4
2.2.3	394-01-10-038	REAR TANDEM ARM	1	7	R20094	SPINDLE FLANGE NUT 1 3/4 - 12 UNF	4
2.2.4	394-01-10-042	GUSSET	2	8	R20095	5/16 x 4 COTTER PIN	4
2.2.5	358-83-01-235	WALKER SLEEVE	1	9	R07786	5/8 HEX NUT	7
2.2.6	394-01-10-043	REAR TANDEM ARM GUSSET	1	10	R07927	5/8 x 1 1/2 SQ. HD. SET SCREW	6
2.2.7	394-01-10-044	FRONT TANDEM ARM GUSSET	1	11	340-00-00-346	RETAINING RING	1
2.3	394-01-08-048	FRONT GUSSET	2	12	R07653	5/8 x 6 HEX BOLT	1
2.4	394-01-08-050	FRONT GUSSET CAP	1	13	R07806	5/8 LOCK WASHER	1
2.5	394-01-08-040	REAR GUSSET	2	14	R07827	3/4" FLAT WASHER	8
2.6	394-01-08-047	REAR GUSSET CAP	1	15	R07655	3/4 x 2 1/2 HEX BOLT	4
3	394-01-01-000	BASE FRAME ASSY	1	16	R07878	3/4 NYLOCK NUT	4

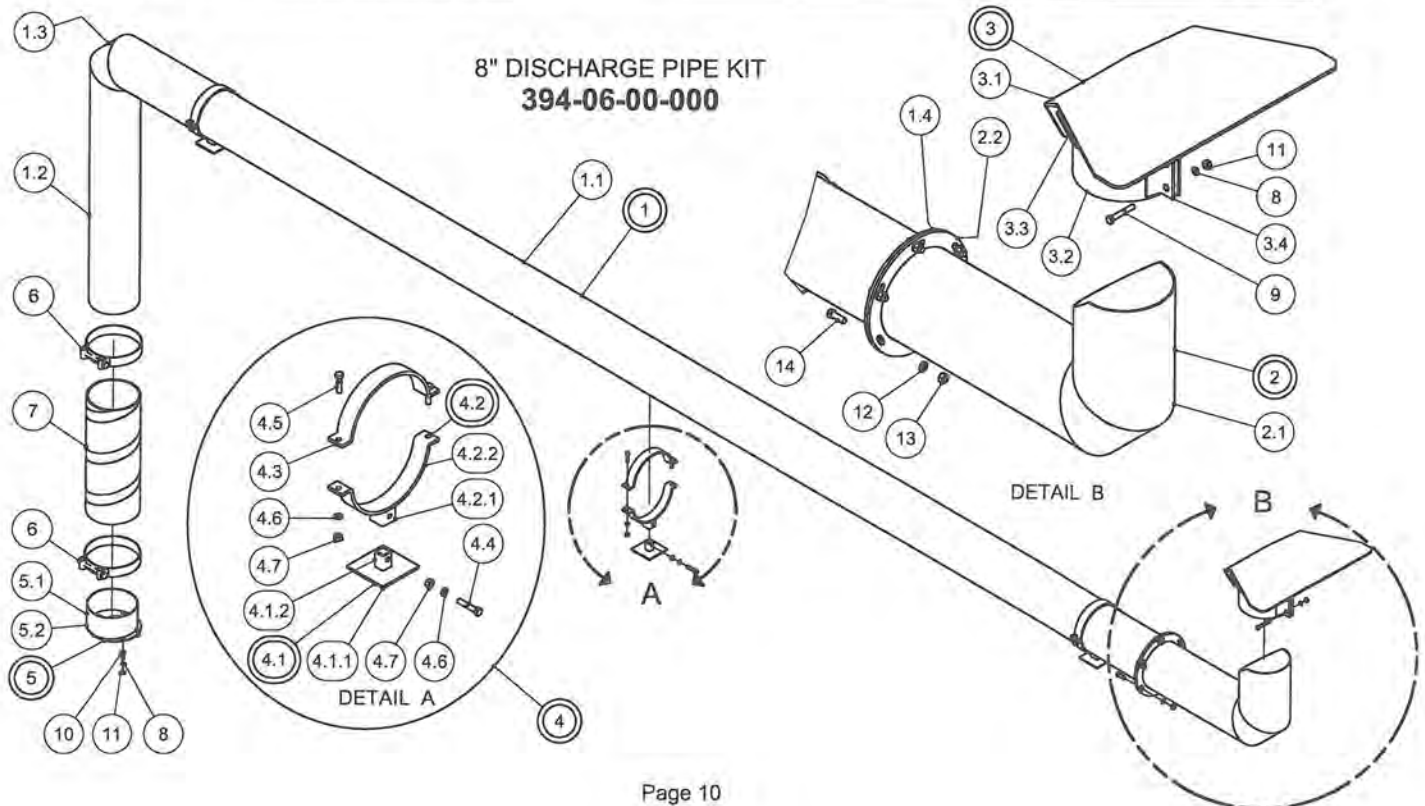
18000L S.L. 6" DISCHARGE KIT

PARTS LIST			
ITEM	PART NUMBER	DESCRIPTION	QTY
1	394-04-01-000	DISCHARGE PIPE ASSY	1
1.1	394-04-01-032	VERTICAL DISCHARGE PIPE	1
1.2	394-04-01-031	HORIZONTAL DISCHARGE PIPE	1
1.3	364-19-00-082	DISCHARGE PIPE CORNER PC	1
1.4	364-19-00-087	DISCHARGE PIPE FLANGE	1
2	R02482	6" HOSE CLAMP	2
3	357-16-00-000	6" DISCHARGE PIPE HOLDER KIT	3
3.1	357-16-01-000	DISCHARGE PIPE BASE HOLDER ASSY	1
3.1.1	357-16-01-130	BASE PLATE	1
3.1.2	357-16-01-131	LOWER STUB	1
3.2	357-16-02-000	PIPE HOLDER ASSY	1
3.2.1	357-16-02-137	UPPER STUB	1
3.2.2	357-16-00-133	TOP PIPE HOLDER - 6"	1
3.3	357-16-00-133	TOP PIPE HOLDER - 6"	1
3.4	R07620	3/8 x 1 1/2 HEX BOLT	2
3.5	R07783	3/8 HEX NUT	3
3.6	R07803	3/8 LOCK WASHER	3
3.7	R07621	3/8 x 2" HEX BOLT	1
4	364-25-00-000	DISCHARGE PIPE END SECTION ASSY	1
4.1	364-25-00-088	DISCHARGE PIPE FLANGE PC	1
4.2	364-19-00-082	DISCHARGE PIPE CORNER PC	1
4.3	364-25-00-067	DISCHARGE PIPE END PC	1
4.4	364-19-00-087	DISCHARGE PIPE FLANGE	1
5	364-68-00-000	SPLASH PLATE ASSY	1
5.1	364-68-00-215	CLAMPING TUBE	1
5.2	364-21-00-069	SPLASH PLATE	1
5.3	364-21-00-224	SPLASH PLATE WING	2
5.4	364-21-00-071	CLAMPING TUBE BRKT	2
6	364-31-00-000	HOSE TUBE ASSY - 6"	1
6.1	364-01-03-376	DISCHARGE RING	1
6.2	364-01-03-063	DISCHARGE TUBE	1
7	364-00-00-066	HOSE SECTION	1
8	R07804	7/16 LOCK WASHER	6
9	R07784	7/16 HEX NUT	6
10	R07671	7/16 x 1 1/4 HEX BOLT	6
11	R07783	3/8 HEX NUT	7
12	R07803	3/8 LOCK WASHER	7
13	R07622	3/8 x 2 1/2 HEX BOLT	2
14	R07619	3/8 x 1 HEX BOLT	5



18000L S.L. 8" DISCHARGE KIT

PARTS LIST			
ITEM	PART NUMBER	DESCRIPTION	QTY
1	394-06-01-000	8" DISCHARGE PIPE ASSY	1
1.1	394-06-01-071	8" HORIZ. DISCHARGE PIPE	1
1.2	394-06-01-054	8" VERTICAL DISCHARGE PIPE	1
1.3	358-92-02-524	DISCHARGE ELBOW PC	1
1.4	358-92-02-306	8" DISCHARGE FLANGE	1
2	358-92-03-000	8" EXTENSION PIPE ASSY	1
2.1	358-92-03-307	8" EXTENSION PIPE	1
2.2	358-92-02-306	8" DISCHARGE FLANGE	1
3	358-92-04-000	8" SPLASH PLATE ASSY	1
3.1	358-92-04-308	8" SPLASH PLATE	1
3.2	358-92-04-309	8" SPLASH PLATE TUBE	1
3.3	358-92-04-310	WING FOR 8" SPLASH PLATE	2
3.4	358-92-04-311	CLAMPING TUBE BRKT	2
4	357-17-00-000	8" DISCHARGE PIPE HOLDER KIT	3
4.1	357-16-01-000	DISCHARGE PIPE BASE HOLDER ASSY	1
4.1.1	357-16-01-130	BASE PLATE	1
4.1.2	357-16-01-131	LOWER STUB	1
4.2	357-17-01-000	PIPE HOLDER ASSY - 8"	1
4.2.1	357-16-02-137	UPPER STUB	1
4.2.2	357-17-00-135	TOP PIPE HOLDER - 8"	1
4.3	357-17-00-135	TOP PIPE HOLDER - 8"	1
4.4	R07621	3/8 x 2" HEX BOLT	1
4.5	R07620	3/8 x 1 1/2 HEX BOLT	2
4.6	R07803	3/8 LOCK WASHER	3
4.7	R07783	3/8 HEX NUT	3
5	358-92-01-000	8" HOUSING RING & TUBE ASSY	1
5.1	358-92-01-302	8" HOUSING OUTLET TUBE	1
5.2	358-92-01-301	8" HOUSING DISCHARGE RING	1
6	R02484	8" SUCTION HOSE CLAMP	2
7	358-92-00-329	8" DISCHARGE HOSE	1
8	R07803	3/8 LOCK WASHER	7
9	R07622	3/8 x 2 1/2 HEX BOLT	2
10	R07619	3/8 x 1 HEX BOLT	5
11	R07783	3/8 HEX NUT	7
12	R07804	7/16 LOCK WASHER	6
13	R07784	7/16 HEX NUT	6
14	R07671	7/16 x 1 1/4 HEX BOLT	6



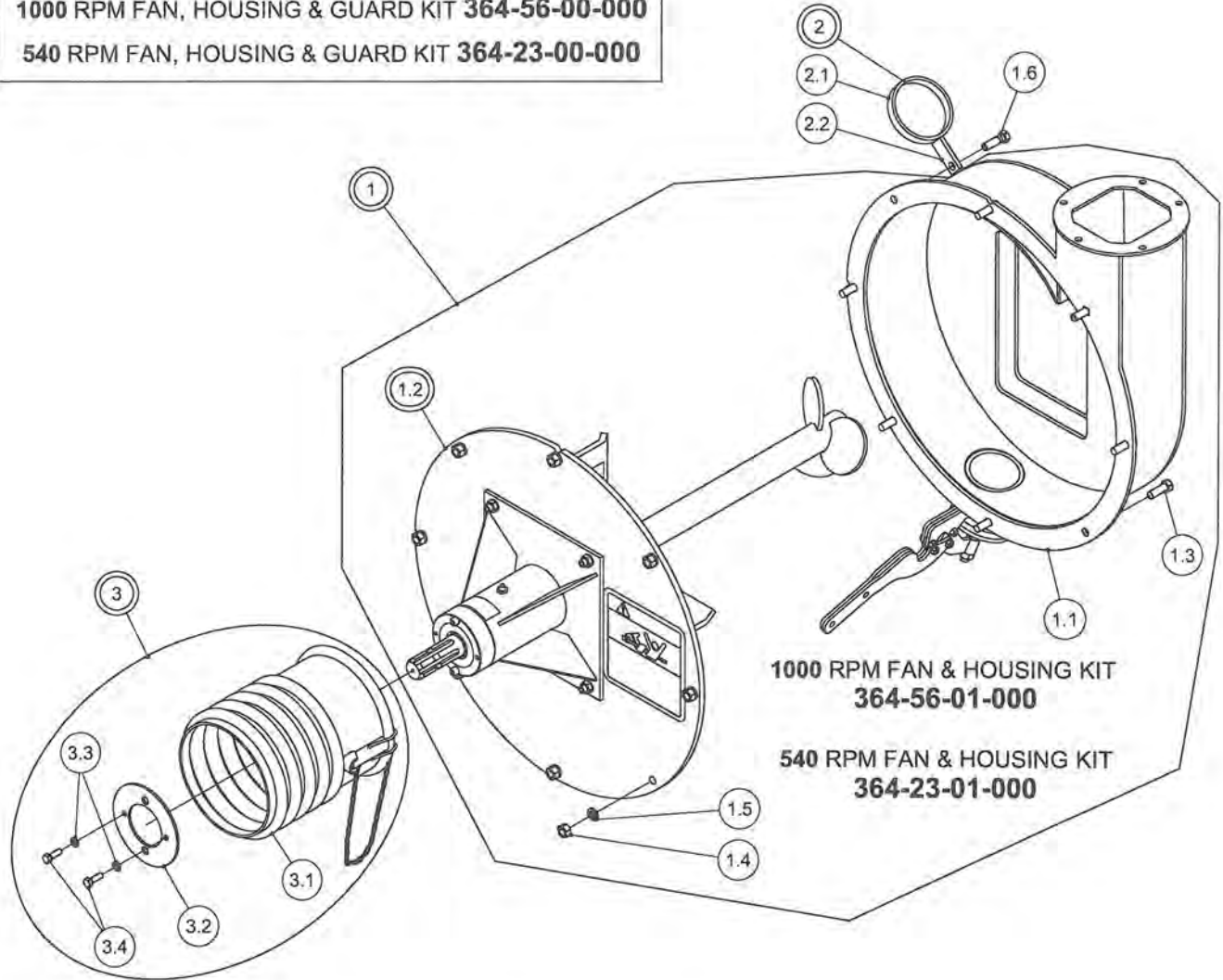
FAN & HOUSING KIT

NOTE:

THESE NUMBERS ARE FOR REPLACEMENT KITS ONLY

1000 RPM FAN, HOUSING & GUARD KIT 364-56-00-000

540 RPM FAN, HOUSING & GUARD KIT 364-23-00-000



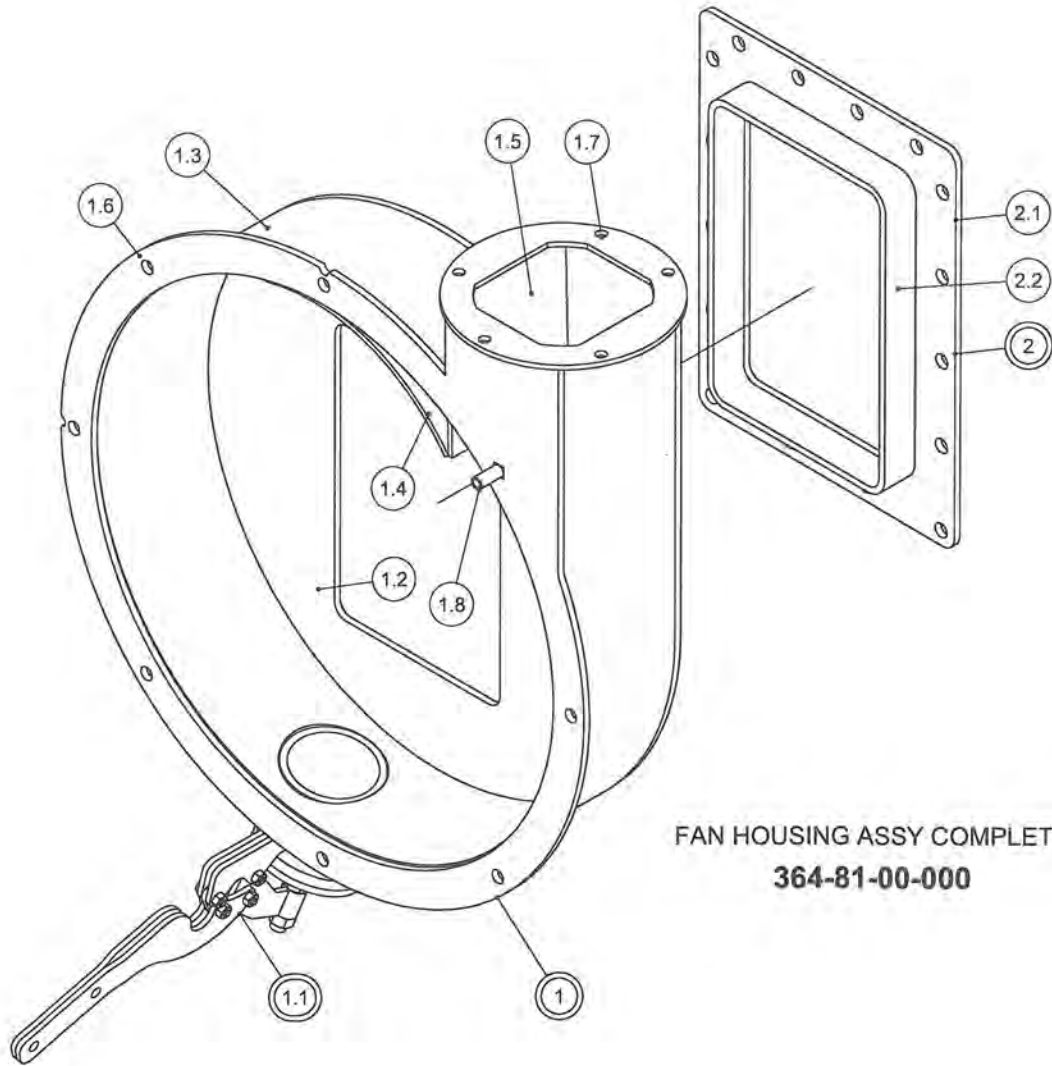
**1000 RPM FAN & HOUSING KIT
364-56-01-000**

**540 RPM FAN & HOUSING KIT
364-23-01-000**

PARTS LIST

ITEM	PART NUMBER	DESCRIPTION	QTY
1	364-56-01-000	1000 FAN & HOUSING KIT	1
1	364-23-01-000	540 FAN & HOUSING KIT	1
1.1	364-81-00-000	FAN HOUSING ASSY COMPLETE	1
1.2	364-66-01-000	1000 RPM FAN & COVER PLATE	1
1.2	364-65-01-000	540 RPM FAN & COVER PLATE	1
1.3	R07671	7/16 x 1 1/4 HEX BOLT	6
1.4	R07784	7/16 HEX NUT	8
1.5	R07804	7/16 LOCK WASHER	8
1.6	R07629	7/16 x 1 1/2 HEX BOLT	1
2	364-41-00-000	PTO HOLDER ASSY	1
2.1	364-41-00-132	PTO HOLDER	1
2.2	364-41-00-133	PTO HOLDER BRACKET	1
3	364-69-00-000	PLASTIC PTO GUARD KIT	1
3.1	R22196	SHEILD CONE ASSY	1
3.2	364-00-00-448	GUARD SUPPORT	1
3.3	R07802	5/16 LOCK WASHER	2
3.4	R07611	5/16 x 1" HEX BOLT	2

FAN HOUSING ASSY

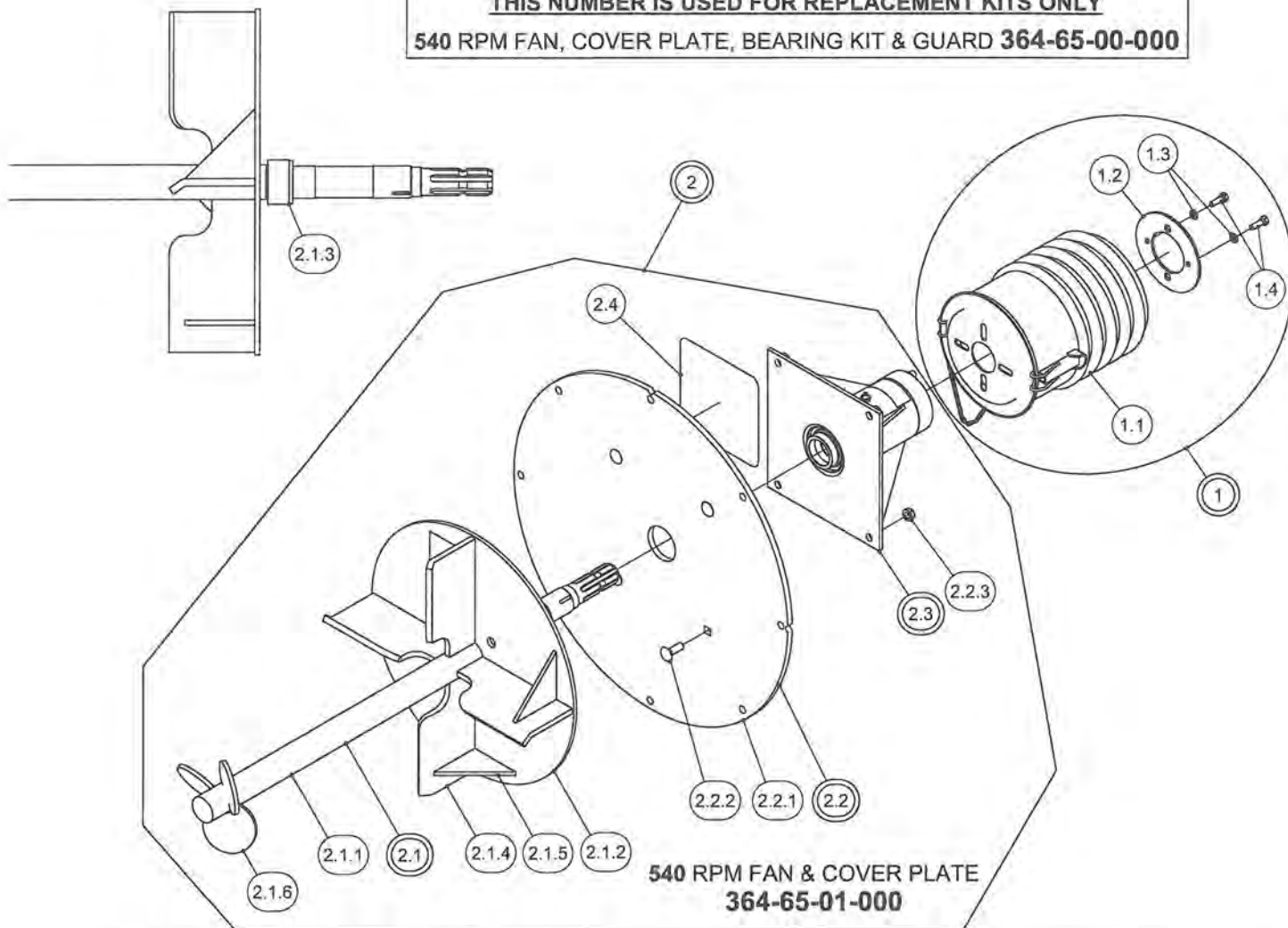


FAN HOUSING ASSY COMPLETE
364-81-00-000

PARTS LIST			
ITEM	PART NUMBER	DESCRIPTION	QTY
1	364-81-01-000	FAN HOUSING ASSY LESS FLANGE	1
1.1	364-62-00-000	DRAIN PLUG KIT	1
1.2	364-01-03-106	HOUSING BACK PLATE	1
1.3	364-01-03-018	HOUSING BAND	1
1.4	364-01-03-156	HOUSING BAND AID	1
1.5	364-01-03-081	FAN HOUSING VERTICAL PC	1
1.6	364-01-03-019	HOUSING FLANGE	1
1.7	364-01-03-376	DISCHARGE RING	1
1.8	R07774	7/16 x 1 1/4" GR 5 CARRIAGE BOLT	1
2	364-81-02-000	HOUSING INLET FLANGE ASSY	1
2.1	364-81-02-393	HOUSING FLANGE	1
2.2	364-81-02-424	INLET EXTENSION TUBE	1

540 RPM FAN, COVER PLATE, & BRG KIT

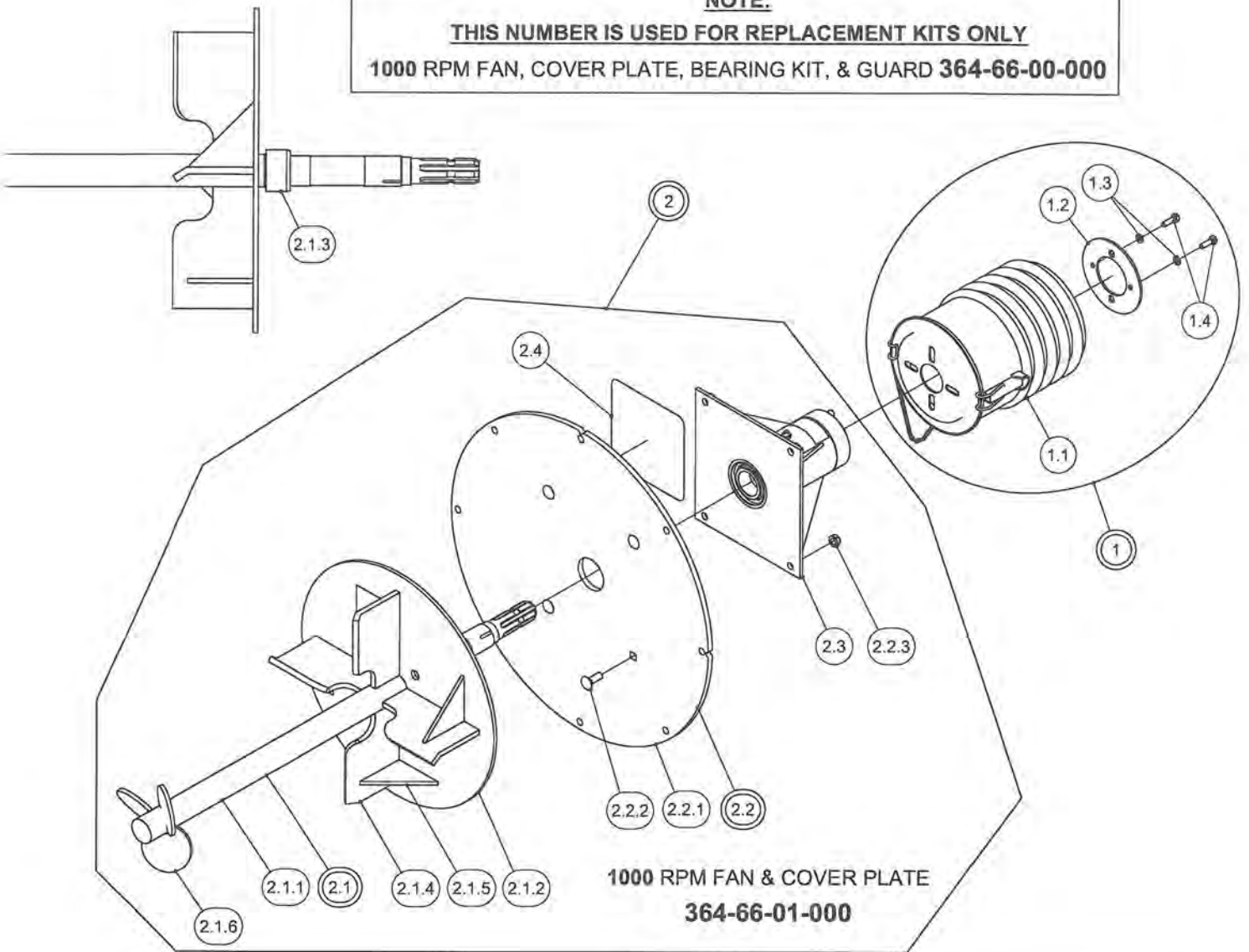
NOTE:
THIS NUMBER IS USED FOR REPLACEMENT KITS ONLY
540 RPM FAN, COVER PLATE, BEARING KIT & GUARD 364-65-00-000



PARTS LIST			
ITEM	PART NUMBER	DESCRIPTION	QTY
1	364-69-00-000	PLASTIC PTO GUARD KIT	1
1.1	R22196	SHEILD CONE ASSY	1
1.2	364-00-00-448	GUARD SUPPORT	1
1.3	R07802	5/16 LOCK WASHER	2
1.4	R07611	5/16 x 1" HEX BOLT	2
2	364-65-01-000	540 RPM FAN & COVER PLATE	1
2.1	364-72-00-000	540 RPM SHAFT & IMPELLER ASSY - CHT	1
2.1.1	364-72-00-226	FAN SHAFT	1
2.1.2	364-63-00-209	FAN BACK PLATE	1
2.1.3	R20238	HARDENED SEAL SLEEVE	1
2.1.4	364-63-00-208	CHT 540 RPM FAN BLADE	4
2.1.5	364-72-00-422	FAN BLADE GUSSET	4
2.1.6	364-72-00-227	AGITATOR BLADE	3
2.2	364-67-00-000	COVER PLATE ASSY	1
2.2.1	364-67-00-211	HOUSING COVER PLATE	1
2.2.2	R07774	7/16 x 1 1/4" GR 5 CARRIAGE BOLT	4
2.2.3	R07879	7/16 FLANGE NUT	4
2.3	357-59-00-000	BEARINGS & HOLDER KIT 2002	1
2.4	R09785	"DANGER ROTATING DRIVELINE" DECAL	1

1000 RPM FAN, COVER PLATE & BRG KIT

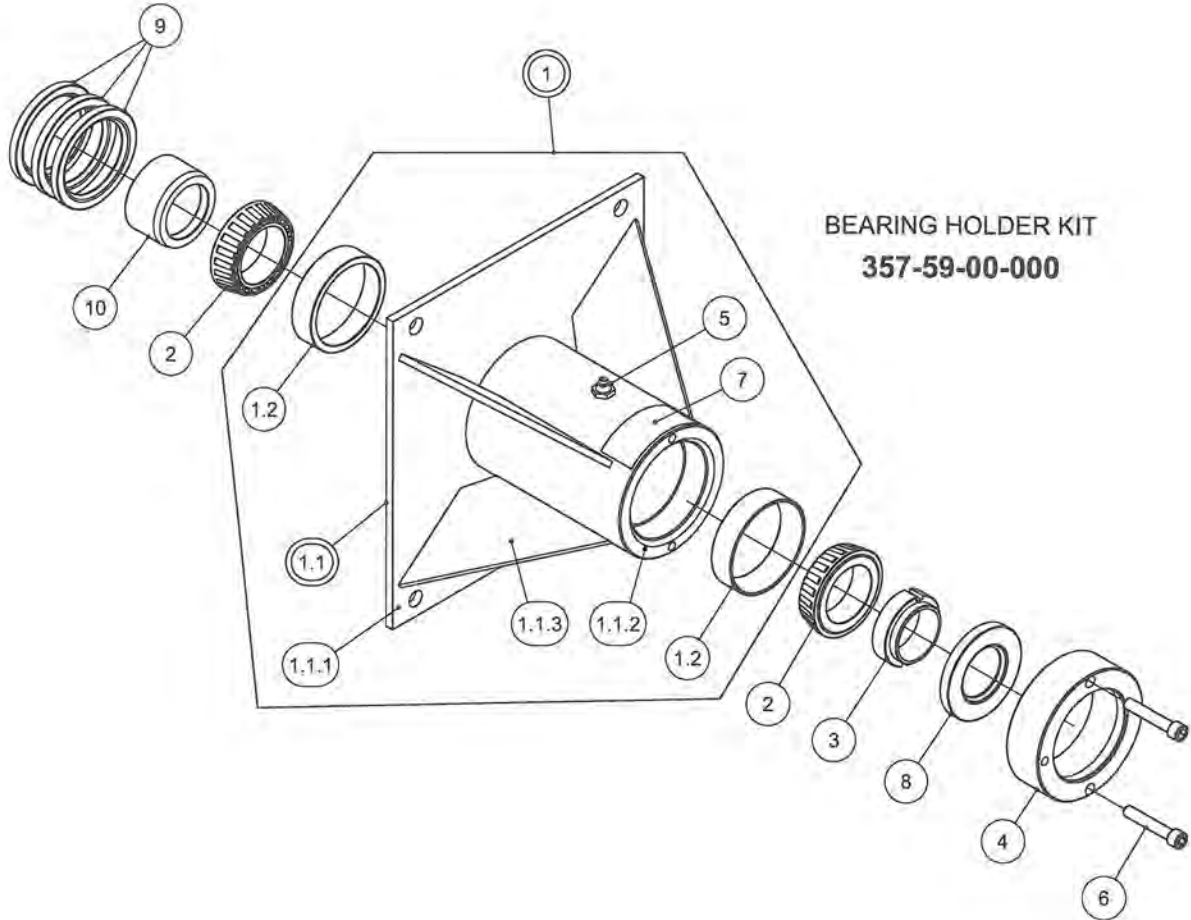
NOTE:
THIS NUMBER IS USED FOR REPLACEMENT KITS ONLY
1000 RPM FAN, COVER PLATE, BEARING KIT, & GUARD 364-66-00-000



PARTS LIST

ITEM	PART NUMBER	DESCRIPTION	QTY
1	364-69-00-000	PLASTIC PTO GUARD KIT	1
1.1	R22196	SHEILD CONE ASSY	1
1.2	364-00-00-448	GUARD SUPPORT	1
1.3	R07802	5/16 LOCK WASHER	2
1.4	R07611	5/16 x 1" HEX BOLT	2
2	364-66-01-000	1000 RPM FAN & COVER PLATE	1
2.1	364-73-00-000	1000 RPM SHAFT & IMPELLER ASSY - CHT	1
2.1.1	364-72-00-226	FAN SHAFT	1
2.1.2	364-63-00-209	FAN BACK PLATE	1
2.1.3	R20238	HARDENED SEAL SLEEVE	1
2.1.4	364-64-00-210	CHT 1000 RPM FAN BLADE	4
2.1.5	364-72-00-422	FAN BLADE GUSSET	4
2.1.6	364-72-00-227	AGITATOR BLADE	3
2.2	364-67-00-000	COVER PLATE ASSY	1
2.2.1	364-67-00-211	HOUSING COVER PLATE	1
2.2.2	R07774	7/16 x 1 1/4" GR 5 CARRIAGE BOLT	4
2.2.3	R07879	7/16 FLANGE NUT	4
2.3	357-59-00-000	BEARINGS & HOLDER KIT 2002	1
2.4	R09785	"DANGER ROTATING DRIVELINE" DECAL	1

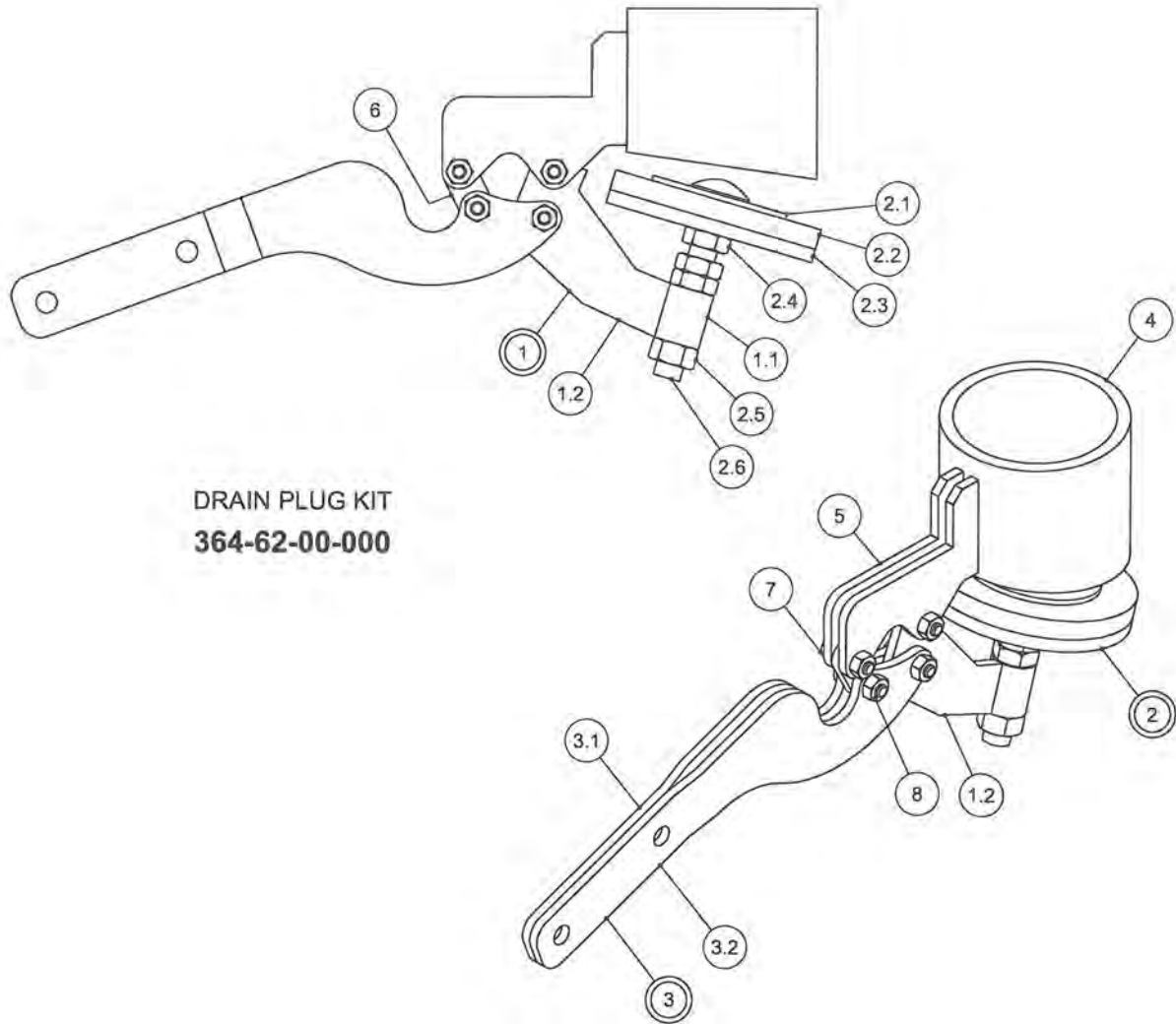
BEARING HOLDER KIT



**BEARING HOLDER KIT
357-59-00-000**

PARTS LIST			
ITEM	PART NUMBER	DESCRIPTION	QTY
1	357-59-01-000	BEARING HOLDER w/ CUPS KIT	1
1.1	357-59-02-000	BEARING BOX ASSY	1
1.1.1	364-61-00-192	SEAL TUBE BACK PLATE	1
1.1.2	364-61-00-191	BEARING TUBE	1
1.1.3	357-59-02-289	BEARING BOX GUSSET	4
1.2	R20113	OUTER CUP	2
2	R20115	OUTER CONE	2
3	364-00-00-212	STAKE NUT	1
4	364-00-00-332	SEAL TUBE KIT	1
5	R08188	1/4" NPT STRAIGHT GREASE FITTING	1
6	R08175	5/16 - 18 UNC x 1 3/4" CAP SCREW	2
7	R09787	GREASE DECAL	1
8	R21196	SL LIP SEAL 152833TB 1.5"	1
9	R21197	2.25 x 3.005 x .25 SEAL	3
10	R20238	HARDENED SEAL SLEEVE	1

DRAIN PLUG KIT

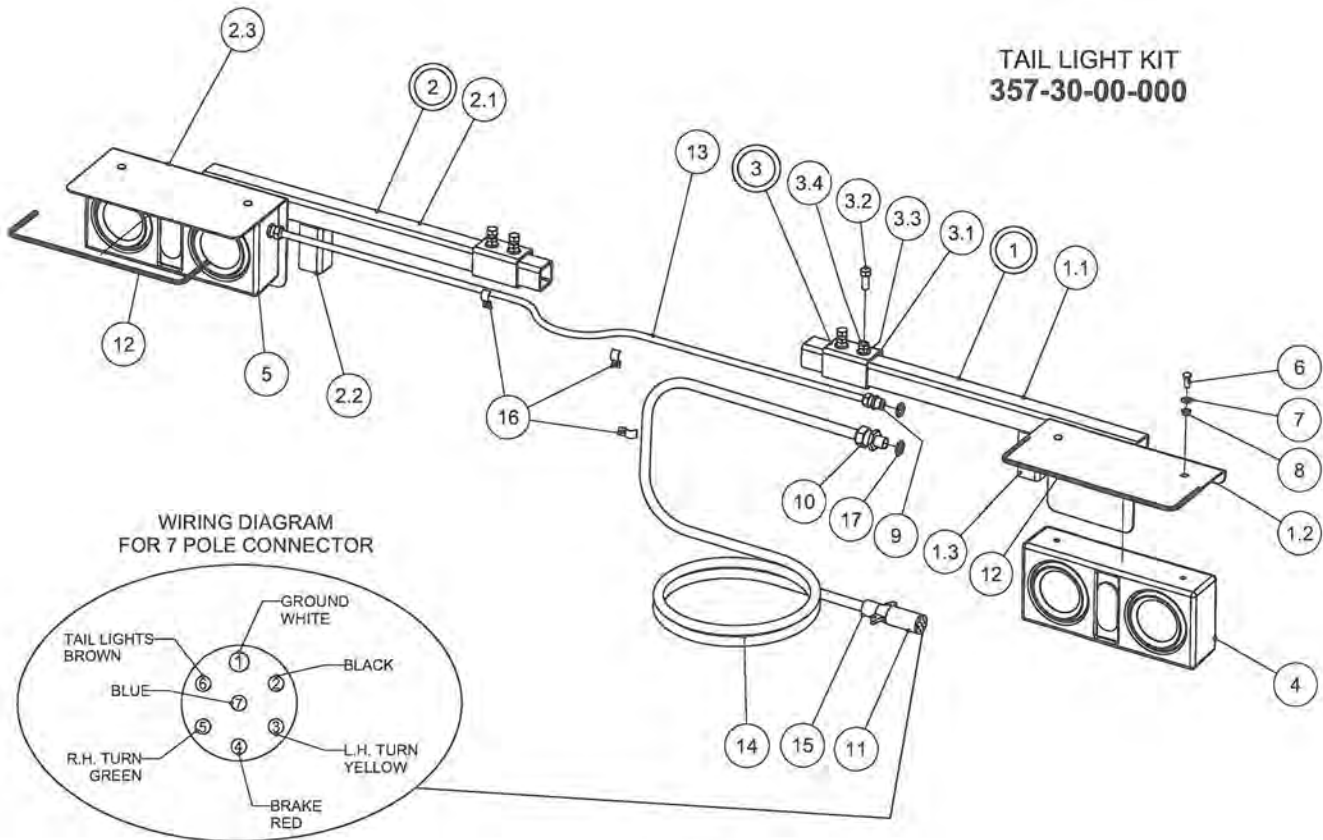


PARTS LIST

ITEM	PART NUMBER	DESCRIPTION	QTY
1	364-62-01-000	DRAIN PLUG SLEEVE ASSY	1
1.1	364-62-01-201	SLEEVE	1
1.2	364-62-01-200	SLEEVE LINKAGE	1
2	364-62-05-000	DRAIN PLUG REPLACEMENT KIT	1
2.1	364-62-04-370	PLUG WASHER	1
2.2	364-62-02-204	RUBBER PLUG	1
2.3	364-62-02-203	PLUG PLATE	1
2.4	R08046	1/2 - 13 JAM NUT	3
2.5	R07785	1/2 HEX NUT	1
2.6	R08316	1/2 x 3 1/2" FULL THREAD CAR BOLT	1
3	364-62-03-000	HANDLE ASSY	1
3.1	364-62-03-206	LH HANDLE	1
3.2	364-62-03-207	RH HANDLE	1
4	364-01-03-110	DRAIN PIPE	1
5	364-62-00-199	PLUG HOUSING BRKT	2
6	364-62-00-205	SHORT LINKAGE	1
7	R08176	1/4 x 7/8" HEX BOLT	4
8	R08048	1/4" 2 WAY LOCK NUT	4

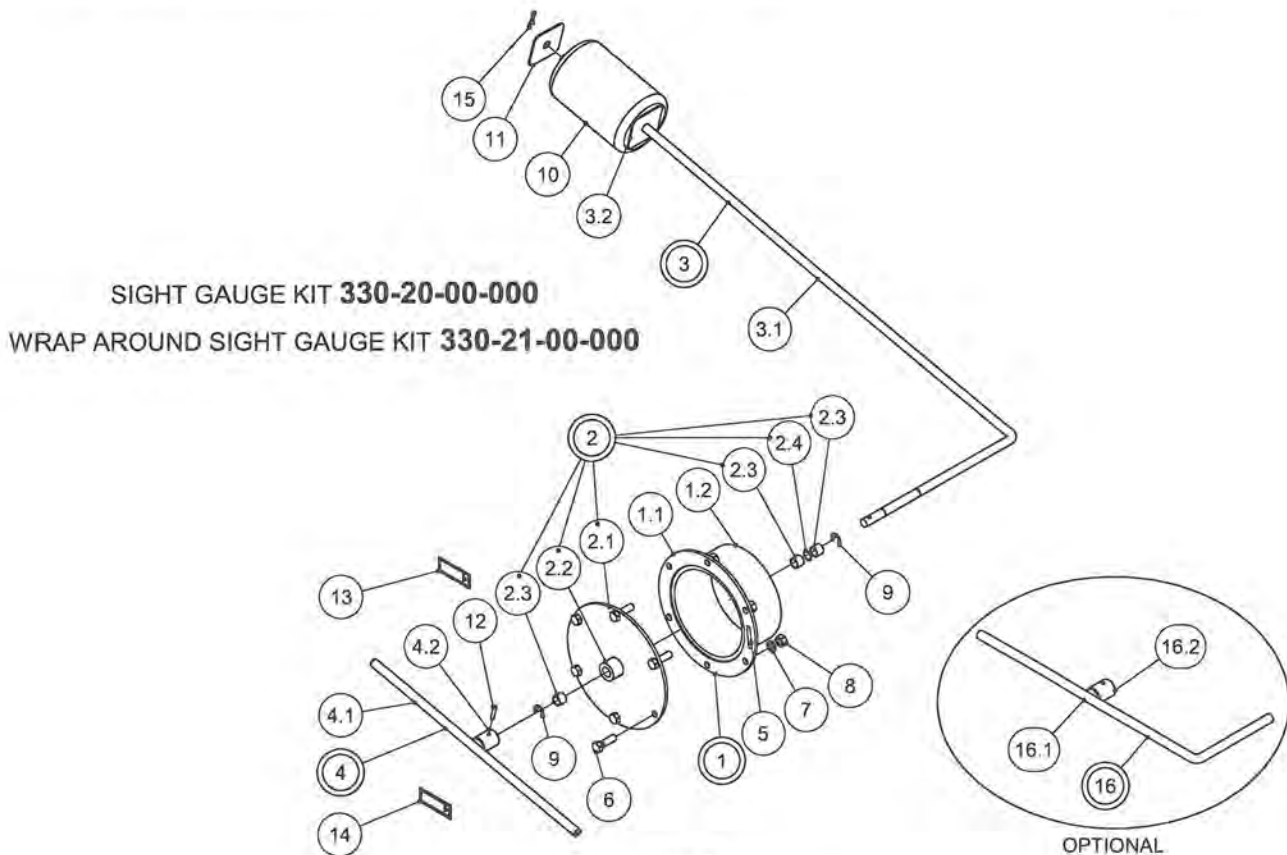
TAIL LIGHT KIT

PARTS LIST			
ITEM	PART NUMBER	DESCRIPTION	QTY
1	357-30-01-000	RH LIGHT BAR ASSY	1
1.1	357-30-01-171	LIGHT BAR	1
1.2	357-30-01-172	RH LITE BOLT PLATE	1
1.3	357-30-01-173	STUB BAR	1
2	357-30-02-000	LH LIGHT BAR ASSY	1
2.1	357-30-01-171	LIGHT BAR	1
2.2	357-30-01-173	STUB BAR	1
2.3	357-30-02-245	LH LITE BOLT PLATE	1
3	357-30-03-000	MOUNT BRKT ASSY	2
3.1	357-30-03-174	MOUNT BRKT	1
3.2	R07674	1/2 x 1 1/4 HEX BOLT	2
3.3	R07795	1/2" UNC FLANGE NUT	2
3.4	R08046	1/2 - 13 JAM NUT	2
4	R10349	RH LAMP BOX w/ 2 LAMPS	1
5	R10348	LH LAMP BOX w/ 2 LAMPS	1
6	R07721	3/8 x 1 CARRIAGE BOLT	4
7	R07823	3/8 FLAT WASHER	4
8	R07794	3/8 FLANGE NUT	4
9	R10193	1/2" NYLON TITE CONNECTOR	2
10	R10357	3/4" NYLON TITE CONNECTOR	1
11	R10095	7 POLE CONNECTOR	1
12	357-30-00-311	SAFETY EDGING	2
13	RO4046	4-WIRE TRAILER CABLE - APPROX. 4M	1
14	R04235	14/6 TRAILER CABLE - APPROX. 10.5M	1
15	R09636	RUBBER BOOT	1
16	R21104	HYD. HOSE CLIPS	12
17	R10345	1/2" ELECTRICAL BOX LOCK NUT	3
18	R04343	YELLOW MAR CONNECTOR (NOT SHOWN IN DRAWING)	8
19	R04422	RED MAR CONNECTOR (NOT SHOWN IN DRAWING)	2

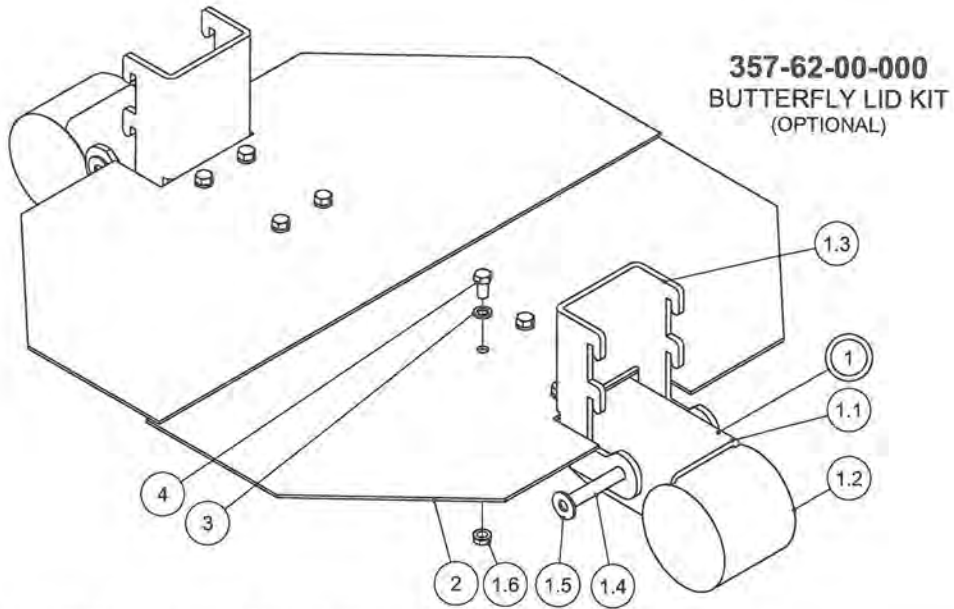


SIGHT GAUGE KIT

Parts List			
ITEM	PART NUMBER	DESCRIPTION	QTY
1	330-20-03-000	ACCESS TUBE ASSY	1
1.1	330-20-03-560	ACCESS TUBE FLANGE	1
1.2	330-20-03-556	ACCESS TUBE	1
2	330-20-04-000	COVER PLATE ASSY	1
2.1	330-20-00-557	COVER PLATE	1
2.2	330-20-04-562	BUSHING HOLDER	1
2.3	R21173	1/2 x 5/8 x 1/2" BRONZE BUSHING	3
2.4	R20865	O-RING #11-014	1
3	330-20-01-000	FLOAT ARM ASSY	1
3.1	330-20-01-551	FLOAT ARM	1
3.2	330-20-01-552	FLOAT STRAPS	1
4	330-20-02-000	INDICATOR ARM ASSY	1
4.1	330-20-02-554	INDICATOR ARM	1
4.2	330-20-02-553	INDICATOR ARM HUB	1
5	R04100	SILICONE SEALANT	1
6	R07675	3/8 x 1 1/4" HEX BOLT	6
7	R07803	3/8 LOCK WASHER	6
8	R07783	3/8 HEX NUT	6
9	R07974	EXTERNAL RETAINING RING	2
10	R09524	FLOAT	1
11	330-20-01-552	FLOAT STRAPS	1
12	R08241	3/16 x 1 SS ROLL PIN	1
13	R09529	"FULL" DECAL	1
14	R09530	"EMPTY" DECAL	1
15	R08021	1/8 x 1 S.S. COTTER PIN	1
16	330-21-01-000	WRAP AROUND SITE ARM ASSY	1
16.1	330-19-46-546	WRAP AROUND SITE ARM	1
16.2	330-20-02-553	INDICATOR ARM HUB	1

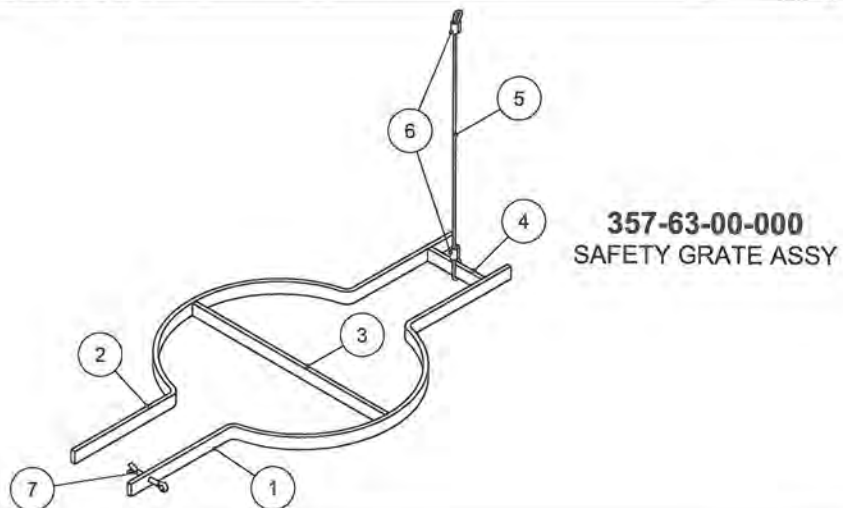


BUTTERFLY LID & SAFETY GRATE



NOTE: WITH INSTALLATION OF A BUTTERFLY LID, A SAFETY GRATE MUST BE USED TO LOCK LID IN PLACE

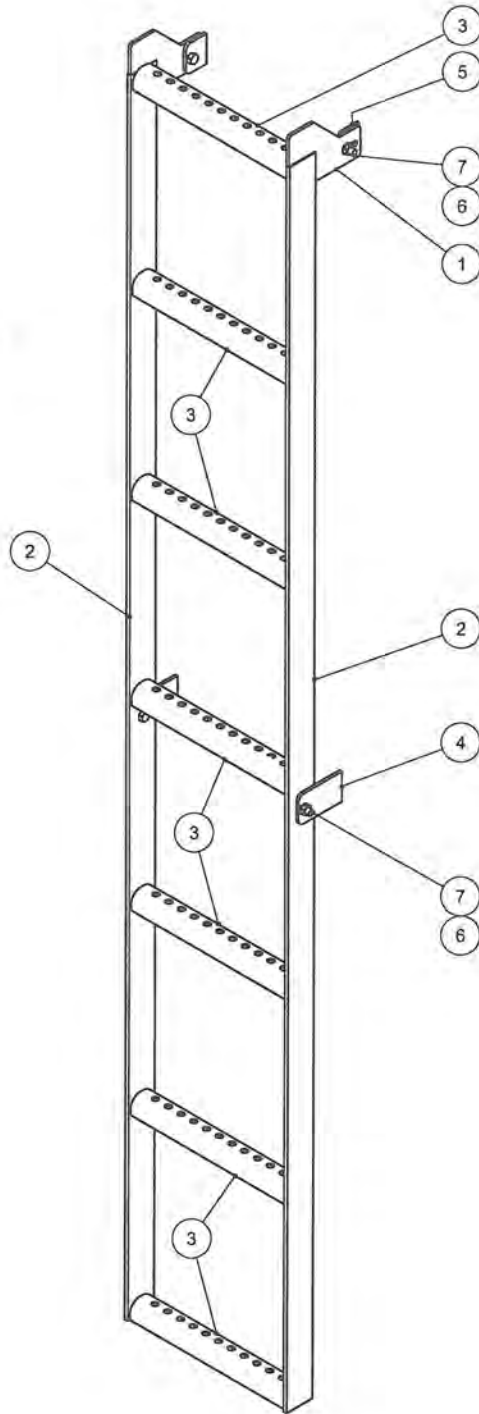
PARTS LIST			
ITEM	PART NUMBER	DESCRIPTION	QTY
1	357-62-01-000	BUTTERFLY HINGE KIT	2
1.1	357-62-01-316	U - CHANNEL HINGE	1
1.2	357-62-01-317	COUNTER WEIGHT	1
1.3	357-62-01-319	DROP-IN HINGE	1
1.4	357-62-01-315	HINGE PIN	1
1.5	R07824	7/16 FLAT WASHER	2
1.6	R07794	3/8 FLANGE NUT	4
2	357-62-00-318	BUTTERFLY LID	2
3	R08319	3/8 S.S. LOCK WASHER	8
4	R08317	3/8 x 3/4 S.S. HEX BOLT	8



PARTS LIST			
ITEM	PART NUMBER	DESCRIPTION	QTY
1	357-63-00-320	SAFETY BAR w/ HOLE	1
2	357-63-00-332	SAFETY BAR	1
3	357-63-00-321	CROSS SAFETY BAR	1
4	357-63-00-322	STOP BAR	1
5	357-63-00-331	SAFETY CABLE	1
6	R08068	1/8" ALUMINUM CRIMP SLEEVES	2
7	R08016	1/4 x 2 COTTER PIN	1

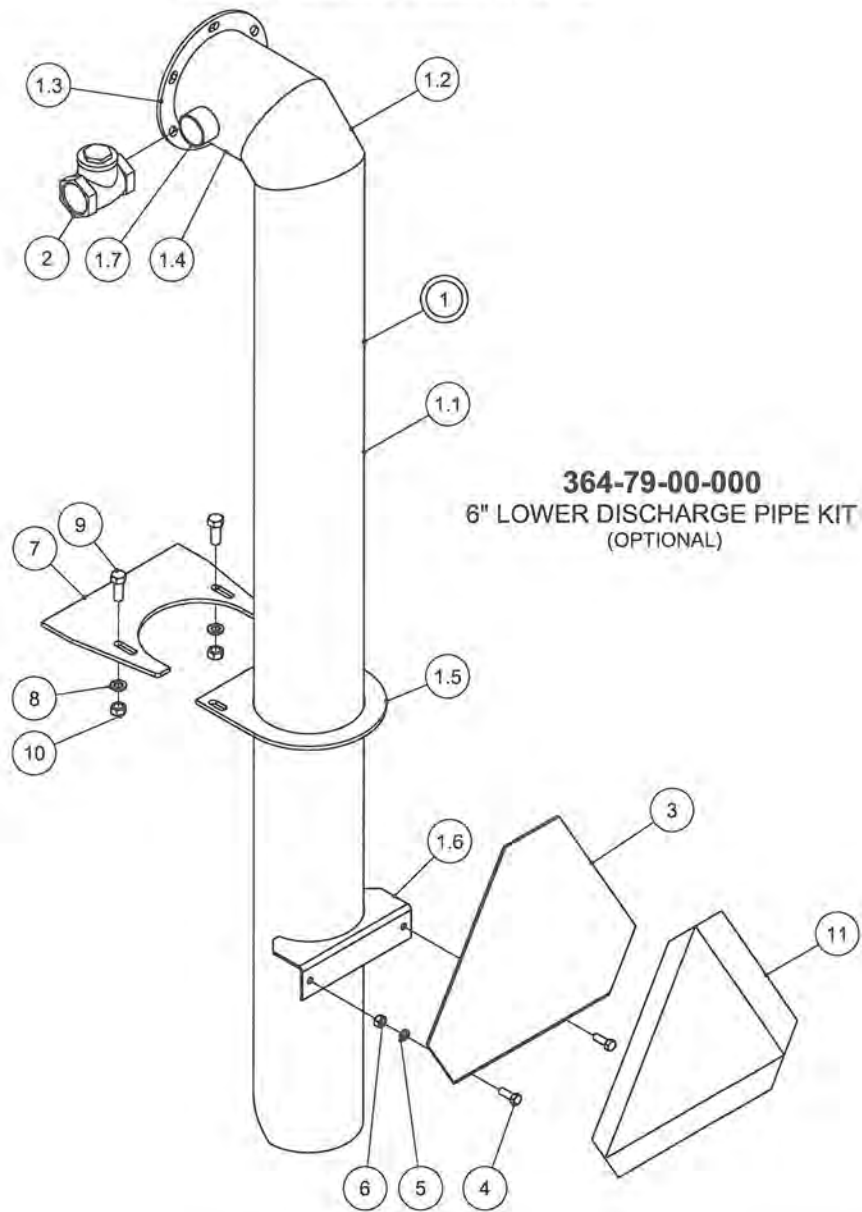
SLIM LINE LADDER KIT

SLIM LINE LADDER KIT
394-07-00-000



PARTS LIST			
ITEM	PART NUMBER	DESCRIPTION	QTY
1	364-95-00-326	LADDER LUG	2
2	394-07-00-057	LADDER SIDE	2
3	364-95-00-324	LADDER RUNG	7
4	364-00-00-414	TANK LUG	2
5	364-95-00-327	UPPER TANK LUG	2
6	R07794	3/8 FLANGE NUT	4
7	R07619	3/8 x 1 HEX BOLT	4

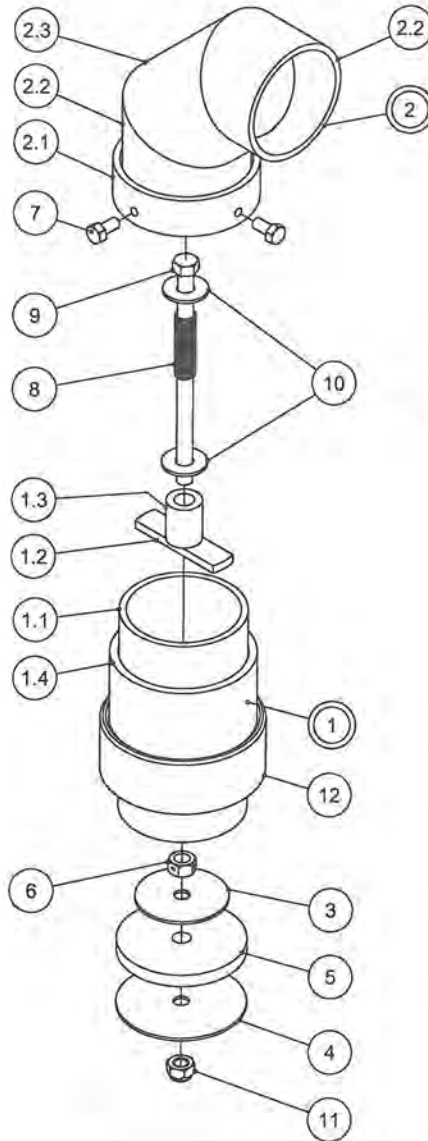
LOWER DISCHARGE PIPE KIT



PARTS LIST

ITEM	PART NUMBER	DESCRIPTION	QTY
1	364-79-01-000	6" DROP PIPE ASSY	1
1.1	364-79-01-295	LONG DROP PIPE	1
1.2	364-19-00-082	DISCHARGE PIPE CORNER PC	1
1.3	364-19-00-087	DISCHARGE PIPE FLANGE	1
1.4	364-79-01-296	SHORT HORIZONTAL PIPE	1
1.5	384-05-02-069	TUBE ATTACHMENT BRKT	1
1.6	308-77-00-226	S.M.V. SIGN HOLDER	1
1.7	R02127	1 1/2 CLOSE NIPPLE	1
2	R02490	1 1/2" CHECK VALVE	1
3	200-00-00-132	S.M.V. SIGN HOLDER	1
4	R07619	3/8 x 1 HEX BOLT	2
5	R07803	3/8 LOCK WASHER	2
6	R07783	3/8 HEX NUT	2
7	384-05-03-070	TANK BRKT	1
8	R07805	1/2 LOCK WASHER	2
9	R07674	1/2 x 1 1/4 HEX BOLT	2
10	R07785	1/2 HEX NUT	2
11	R09501	SLOW MOVING VEHICLE DECAL	1

TANK VENT KIT



TANK VENT KIT
357-51-00-000
(OPTIONAL)

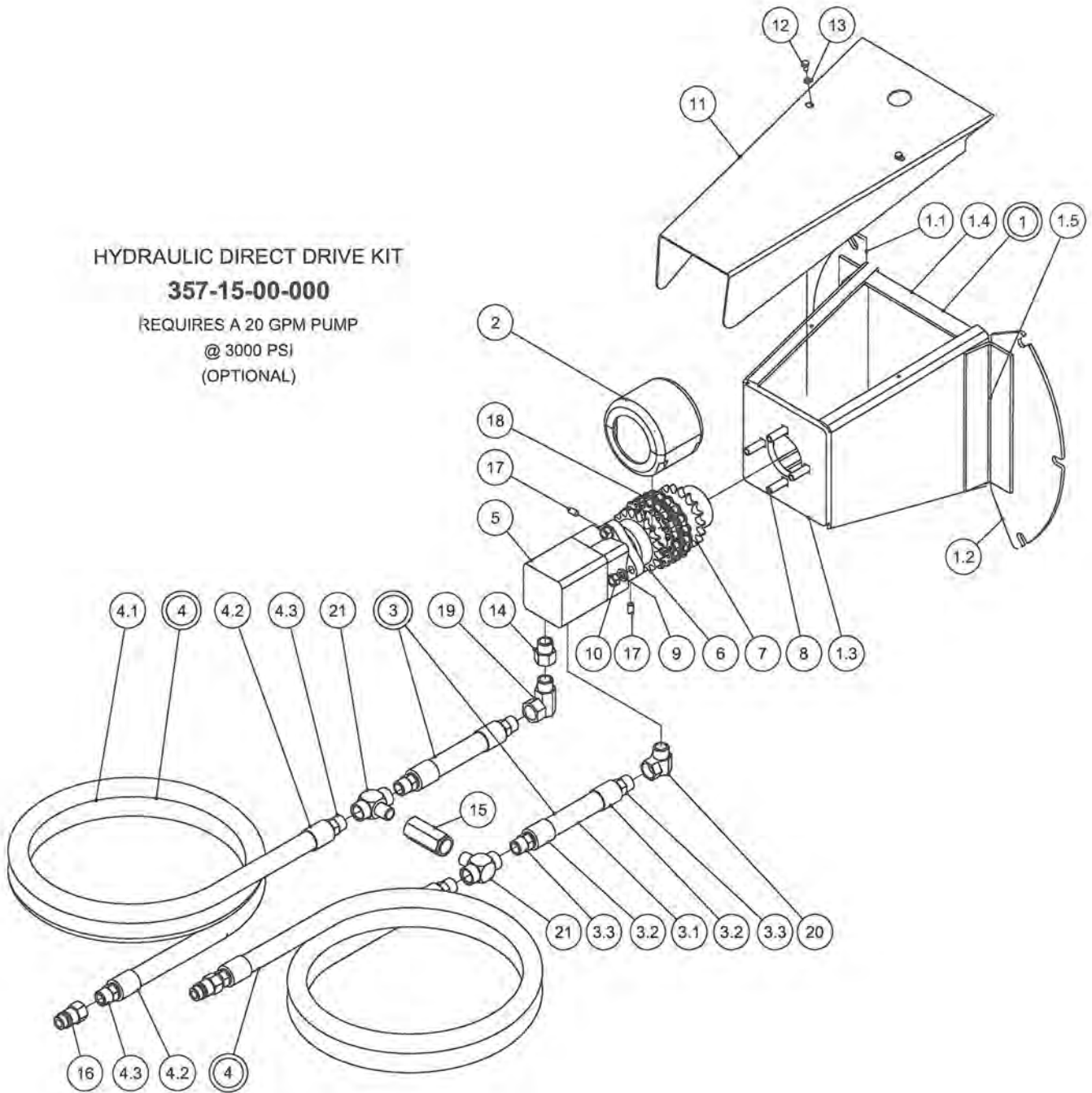
PARTS LIST			
ITEM	PART NUMBER	DESCRIPTION	QTY
1	357-51-01-000	VENT TUBE ASSY	1
1.1	357-51-01-246	VENT TUBE	1
1.2	357-51-01-247	VENT STRAP	1
1.3	357-51-01-248	INNER SLIDE TUBE	1
1.4	357-51-01-335	OUTER NIPPLE	1
2	357-51-02-000	CAP ASSY	1
2.1	357-51-02-251	SLEEVE	1
2.2	357-51-02-252	ELBOW SECTION	2
2.3	357-51-02-253	ELBOW MIDDLE SECTION	1
3	357-51-00-250	STAINLESS STEEL WASHER	1
4	357-51-00-258	LOWER STAINLESS STEEL WASHER	1
5	357-51-00-334	RUBBER PLUG	1
6	R07891	7/16 2-WAY LOCK NUT	1
7	R07690	5/16 x 5/8 HEX BOLT	2
8	357-51-00-249	SPRING	1
9	R07689	7/16 x 7 HEX BOLT	1
10	R07833	7/16" SAE FLAT WASHER	2
11	R08178	7/16 NYLOCK HEX NUT	1
12	R02969	3 1/2" HALF COUPLER	1

HYDRAULIC DIRECT DRIVE KIT

HYDRAULIC DIRECT DRIVE KIT

357-15-00-000

REQUIRES A 20 GPM PUMP
@ 3000 PSI
(OPTIONAL)

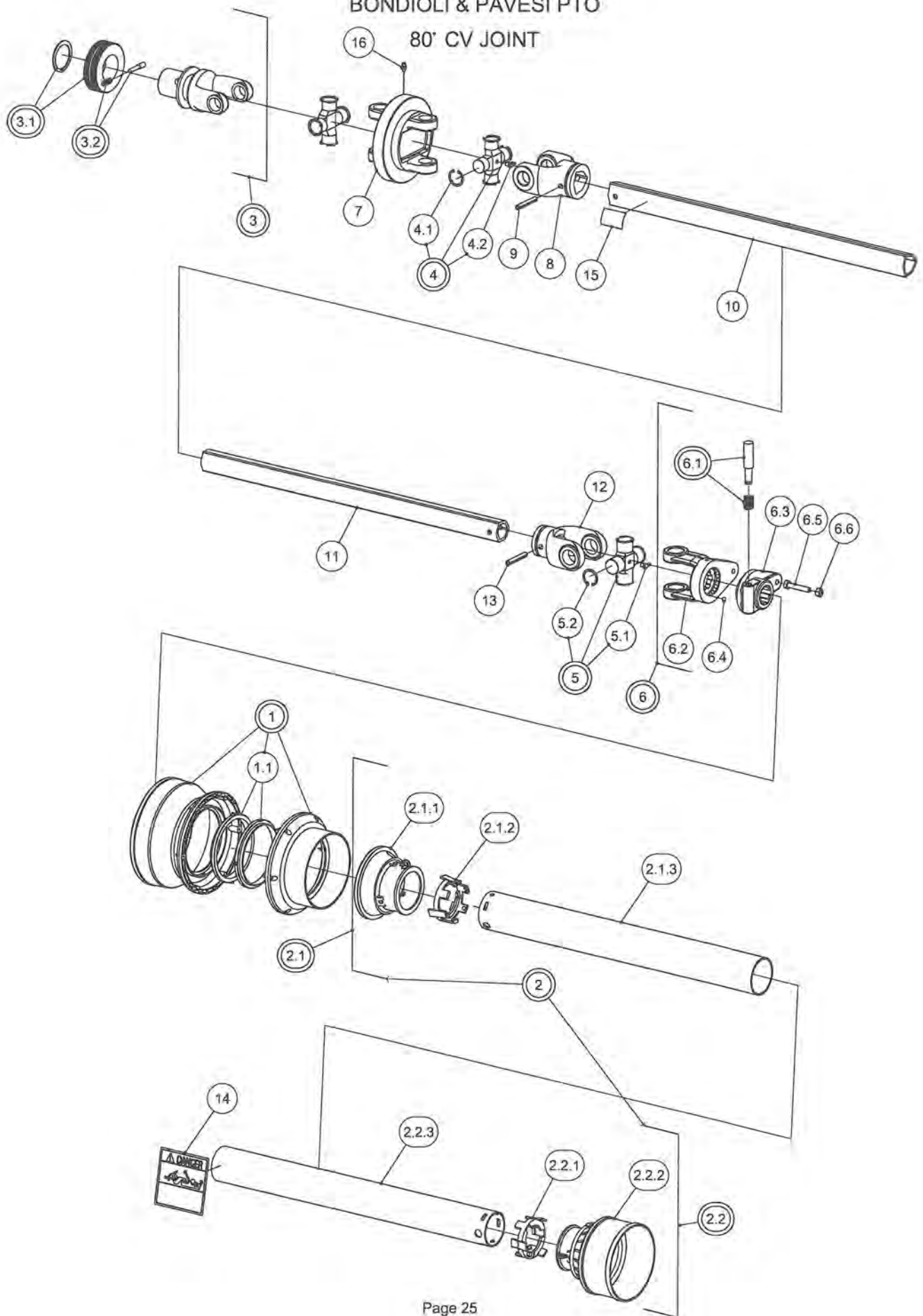


HYDRAULIC DIRECT DRIVE KIT CON'T

PARTS LIST			
ITEM	PART NUMBER	DESCRIPTION	QTY
1	384-02-01-000	DIRECT HYD DRIVE MOUNT PL ASSY	1
1.1	384-02-01-002	R.H. EXTENSION PLATE	1
1.2	384-02-01-003	L.H. EXTENSION PLATE	1
1.3	384-02-01-004	MOTOR MOUNT PLATE	1
1.4	384-02-01-012	REINFORCING STRAP	2
1.5	384-18-01-275	REINFORCING ANGLE	2
2	R20617	60 - 18 COUPLING COVER	1
3	364-48-32-000	3/4" HYD HOSE ASSY	2
3.1	364-48-32-187	3/4" HYD HOSE ASSY	1
3.2	R20824	3/4" FERRULE	2
3.3	R21241	3/4" MALE SOLID STEM	2
4	364-48-24-000	3/4" HYD HOSE ASSY	2
4.1	364-48-24-163	3/4" HYDRAULIC HOSE	1
4.2	R20824	3/4" FERRULE	2
4.3	R21241	3/4" MALE SOLID STEM	2
5	R21422	MS160 HYDRAULIC MOTOR	1
6	384-02-00-007	60B - 18 SPR.-1 1/4" STR SHAFT	1
7	384-02-00-072	SPROCKET FOR 6 TOOTH SPLINE	1
8	R07744	1/2" x 2 CARRIAGE BOLT	4
9	R07805	1/2 LOCK WASHER	4
10	R07785	1/2 HEX NUT	4
11	384-02-00-005	GUARD	1
12	R07698	1/4 x 1/2 HEX BOLT	2
13	R07801	1/4 LOCK WASHER	2
14	R20815	7/8-14 SAE M x 3/4" ADAPTOR	1
15	R21202	3/4" NPT IN-LINE CHECK VALVE	1
16	R21338	3/4" PIONEER TIP	2
17	R07911	3/8 x 3/4" SET SCREW	2
18	R20883	60-18 COUPLING CHAIN	1
19	R21332	3/4M x 3/4F NPT 90 SWIVEL ADAPTOR	1
20	R21323	7/8" x 3/4" NPT SWIVEL ADAPTOR	1
21	R21393	3/4" HYDRAULIC TEE	2

BONDIOLI & PAVESI PTO

80° CV JOINT

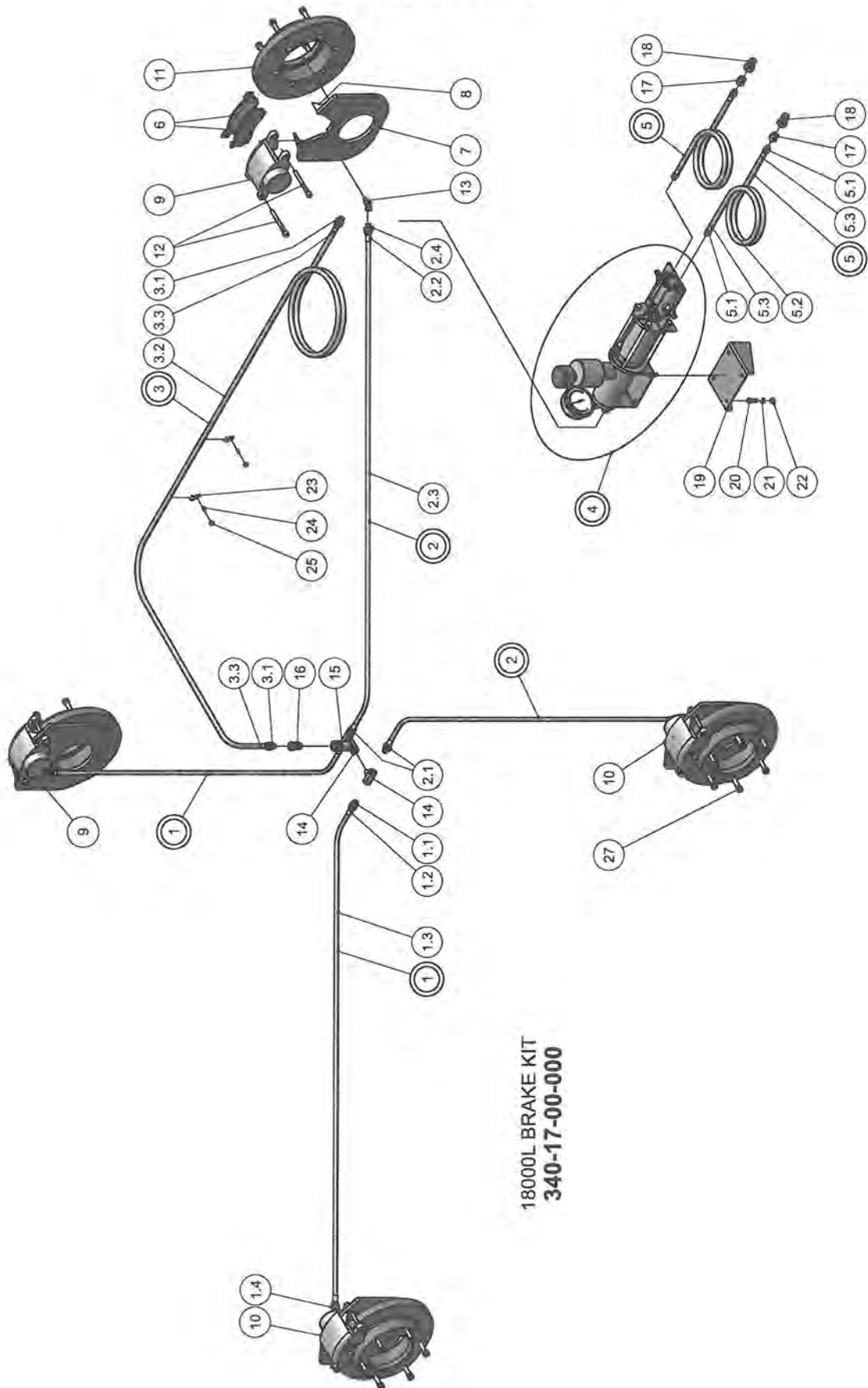


BONDIOLI PAVESI PTO
80 deg CV JOINT - FOR LONG TONGUE
 (ELITE, SLIM LINE SPREADERS)

R21582 540 RPM 6 TOOTH
 R21583 1000 RPM 21 TOOTH
 R21584 1000 RPM 20 TOOTH

<u>ITEM</u>	<u>MFG #</u>	<u>PART #</u>	<u>DESCRIPTION</u>	<u>QTY</u>
1	517048001	R21703	COMPLETE SHELL	1
1.1	255040351	R21702	RING NUT DOWELS	2
2	5F04121E1654	R22182	SAFETY GUARD	1
2.1	5FE4121E1654	R22180	HALF SAFETY GUARD	1
2.1.1	254040024	R21697	O. BASIC CONES N3-4	1
2.1.2	255040005	R21696	O. BEARING 3-4	1
2.1.3	236681007	R22179	CM SAFETY TUBE	1
2.2	5F14121FF	R22181	HALF SAFETY GUARD	1
2.2.1	255040006	R21701	I. BEARING 3-4	1
2.2.2	517040061	R21700	I. CONE SET N3-4	1
2.2.3	236671007	R22178	CM SAFETY TUBE	1
3	573043675	R21712	1 3/4" - 20 T YOKE 1000 RPM	*
	573040375	R21681	YOKE w/ BRIDGE 540 RPM	1
	573043775	R21680	YOKE w/ BRIDGE 1000 RPM	*
3.1	240080061	R21670	HUB	1
	240040061	R21670	HUB FOR 1 3/4" 20T	*
3.2	403000001	R21669	COMPLETE PUSH BUTTON	1
4	412040012	R21682	CROSS JOURNAL ASSY	2
4.1	338009000	R21613	CIRCLIP	4
4.2	348004000	R21655	GREASE NIPPLE 45 DEG	1
5	41204	R21693	CROSS JOURNAL ASSY	1
5.1	348004000	R21655	GREASE NIPPLE 45 DEG	1
5.2	338017000	R21694	CIRCLIP	4
6	606404001	R21473	TORQUE LIM SB 4/4	1
6.1	401000001	R21451	COMPLETE PUSH BUTTON	1
6.2	213040020	R21704	SHEAR YOKE	1
6.3	513070324	R21706	HUB c/w QUICK DISCONNECT	1
6.4	362002000	R21705	1/4" BALL	23
6.5	432000047	R08251	M8 x 1.25 x 45 HEX BOLT	1
6.6		R08252	M8 x 1.25 LOCK NUT	1
7	511040051	R21685	CENTRAL BODY	1
8	215046854	R21686	YOKE	1
9	341038000	R21475	FLEXIBLE PIN	1
10	225311060	R22177	CARDAN TUBE	1
11	245101060	R22176	CARDAN TUBE CM	1
12	204046852	R21472	INNER TUBE YOKE	1
13	341048000	R21476	FLEXIBLE PIN	1
14		R21521	"ROTATING DRIVE LINE" DECAL	1
15		R21523	"SHIELD MISSING" DECAL	1
16	348017000	R21687	GREASE NIPPLE	1

18000L BRAKE KIT

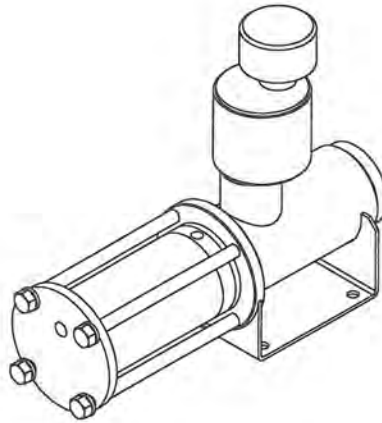


18000L BRAKE KIT

PARTS LIST			
ITEM	PART NUMBER	DESCRIPTION	QTY
1	340-17-16-000	HYDRAULIC BRAKE HOSE ASSY-REAR	2
1.1	R20806	3/8 NPT SWIVEL MALE STEM	1
1.2	R21231	STEEL FERRULE - 1/4"	2
1.3	340-17-16-391	REAR BRAKE HOSE	1
1.4	R20807	1/4 NPT SOLID MALE STEM	1
2	340-17-15-000	HYDRAULIC BRAKE HOSE ASSY-FRONT	2
2.1	R20806	3/8 NPT SWIVEL MALE STEM	1
2.2	R21231	STEEL FERRULE - 1/4"	2
2.3	340-17-15-390	FRONT BRAKE HOSE	1
2.4	R20807	1/4 NPT SOLID MALE STEM	1
3	340-17-38-000	MAIN BRAKE LINE ASSY	1
3.1	R20806	3/8 NPT SWIVEL MALE STEM	2
3.2	340-77-38-544	MAIN HYD. BRAKE HOSE	1
3.3	R21231	STEEL FERRULE - 1/4"	2
4	312-09-00-000	MASTER CYLINDER KIT COMPLETE	1
5	340-17-39-000	HYD. HOSE MASTER CYL. TO TRACTOR	2
5.2	340-17-39-545	HYD. HOSE - MASTER CYL. TO TRACTOR	1
5.3	R21231	STEEL FERRULE - 1/4"	2
5.1	R20804	1/4 STEM 1/2 NPT SOLID MALE STEM	2
6	R21067	BRAKE PADS (PAIR)	4
7	340-08-10-332	CALIPER MOUNTING PLATE	4
8	340-08-10-334	CALIPER PLATE SUPPORT	8
9	R21066	LH DISC BRAKE CALIPER ASSY TC501	2
10	R21065	RH DISC BRAKE CALIPER ASSY TC500	2
11	R20098	BOLT ON BRAKE DISC	4
12	R21070	GUIDE PINS	8
13	R21308	45 DEG x 7/16 SAE x 1/4 NPT ADAPTOR	4
14	R22111	3/8" HYD TEE - F x F x M	3
15	R21337	3/8" FEMALE PIONEER END	1
16	R21339	3/8" MALE PIONEER END	1
17	R02043	BUSHING 1/2 x 3/8	2
18	R21342	1/2" MALE PIONEER TIP	2
19	312-06-00-047	TONGUE BRACKET	1
20	R07619	3/8 x 1 HEX BOLT	4
21	R07803	3/8 LOCK WASHER	4
22	R07783	3/8 HEX NUT	4
23	R21104	HYD. HOSE CLIPS	12
24	R08301	1/4 x 20 UNC x 1/2" WELD STUD	12
25	R07781	1/4 HEX NUT	12
27	R07871	1/2 - 20 x 3 UNF SOCKET HEAD CAP SCREW	24

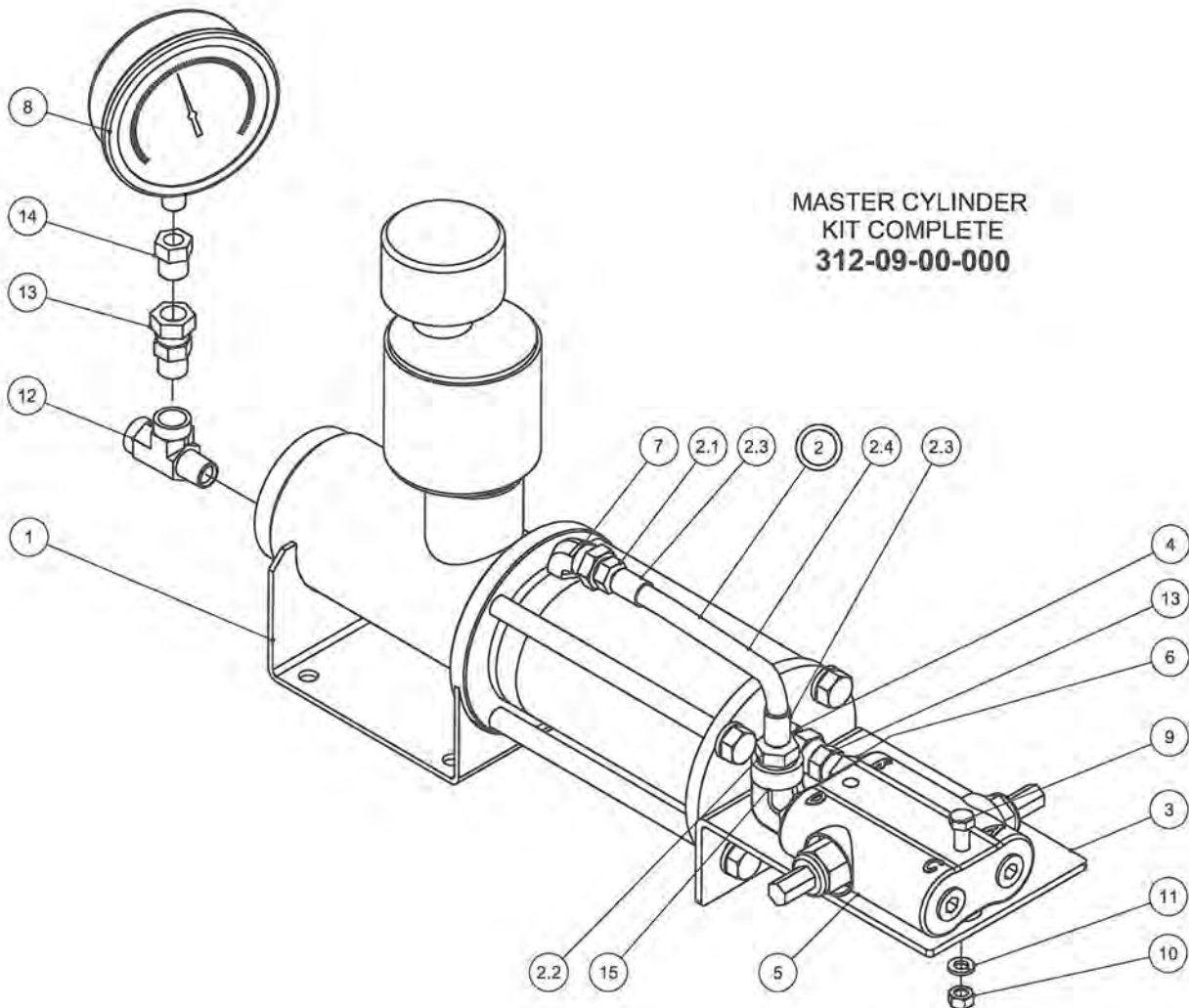
MASTER CYLINDER KIT

Parts List			
ITEM	PART NUMBER	DESCRIPTION	QTY
1	312-06-02-000	MASTER CYLINDER TUBE ASSY	1
1.1	312-06-02-034	MOUNT PLATE	1
1.2	312-06-02-030	MASTER CYLINDER TUBE	1
1.3	312-06-02-031	MASTER CYLINDER FLANGE	1
1.4	312-06-02-033	COUPLER	1
1.5	312-06-02-032	MASTER CYLINDER END CAP	1
2	312-06-03-000	RESEVOIR ASSY	1
2.1	312-06-03-041	RESERVOIR TUBE	1
2.2	312-06-03-045	RESERVOIR COUPLING	1
2.3	312-06-03-042	RESEVOIR TOP PLATE	1
2.4	312-06-03-043	RESEVOIR BOTTOM PLATE	1
2.5	312-06-03-046	RESERVOIR NIPPLE	1
3	R21103	FILLER BREATHER	1
4	312-06-00-039	MASTER CYLINDER PLUNGER	1
5	R20873	TEFLON BACK UP #334	4
6	R20868	EP "O" RING #334 (2 5/8 x 3/16")	3
7	312-06-00-040	SHAFT	1
8	R20869	EP "O" RING 012 (3/8 x 1/2 x 1/16")	1
9	R20870	EP "O" RING 014 (1/2 x 5/8 x 1/16")	1
10	R07885	1/2 - 2 WAY LOCK NUT	2
11	R20774	3/4" HYTREL ROD WIPER 52-750	1
12	R21207	3/8" CHECK VALVE	2
13	R20874	3/4" HYTREL ROD WIPER 52-750	1
14	R20871	EP "O" RING 210 (3/4 x 1 x 1/8")	1
15	312-06-00-037	CYLINDER DIVIDER BLOCK	1
16	R20836	"O" RING #11-334 (2 5/8 x 3 x 3/16")	3
17	R20865	O-RING #11-014	1
18	312-06-00-038	HYDRAULIC PLUNGER	1
19	R20837	BACK UP #8-334	2
20	312-06-00-035	HYDRAULIC CYLINDER TUBE	1
21	312-06-00-036	HYDRAULIC CYLINDER END CAP	1
22	R07805	1/2 LOCK WASHER	4
23	R07679	1/2 x 13 UNC x 8" HEX BOLT	4
24	R09689	"CAUTION" DECAL	1



MASTER CYLINDER KIT COMPLETE

ITEM	PART NUMBER	DESCRIPTION	QTY
1	312-06-00-000	MASTER CYLINDER KIT	1
2	312-06-05-000	HYD HOSE ASSY	1
2.1	R20803	3/8 - 16 NPT SOLID MALE STEM	1
2.2	R20804	1/4 STEM 1/2 NPT SOLID MALE STEM	1
2.3	R21231	STEEL FERRULE - 1/4"	2
2.4	312-06-05-048	1/4" RUBBER HYD HOSE	1
3	312-09-00-054	RELIEF VALVE MOUNT PLATE	1
4	R21397	3/8" HYDRAULIC NIPPLE	1
5	R21209	DUAL RELIEF VALVE	1
6	R02043	BUSHING 1/2 x 3/8	1
7	R21334	1/4 x 3/8-90 DEG SWIVEL ADAPTER	1
8	R21250	PRESSURE GAUGE	1
9	R07614	5/16" x 2 1/2 HEX BOLT	1
10	R07812	5/16 HEX NUT	1
11	R07802	5/16 LOCK WASHER	1
12	R22247	3/8 TEE - MxFxF	1
13	R20812	3/8" M X 3/8" F NPT ST SWIVEL ADAPTOR	2
14	R02042	1/4" X 3/8" BUSHING	1
15	R21367	1/2 X 90 HYD ELBOW	1



HUSKY FARM EQUIPMENT LIMITED
ALMA, ON N0B 1A0
PHONE: (519) 846 - 5329
FAX: (519) 846 - 9378

5 YEAR AXLE WARRANTY

Husky Farm Equipment Limited will guarantee for 5 years from date of invoice, all Manure Spreader undercarriages and axle assemblies, if used on a farm for farm purposes.

Husky will replace free of charge:

1. Any part of the axle which should break or collapse through overload.
2. Any spindles or hub which should break.
3. Any wheel and rim assemblies which should fail.

Exempt from extended warranty are:

1. Bearings and tires which are covered under normal warranty and do require maintenance to avoid failure.
2. Spindles damaged through bearing failure.
3. Wheel or rim damage resulting from owner failing to keep wheel bolts tight.
4. 23000 Litre (6000 US Gal) is not covered because it is custom built.

To qualify for extended warranty, damaged parts must be returned to Husky Farm Equipment Limited, prepaid, along with serial number and copy of the original invoice.

All parts supplied by Husky on warranty, will be shipped freight collect. Extended warranty covers damaged parts only and does not cause liability on Husky for any damage resulting from such failure.

TEN YEAR WARRANTY AGAINST RUSTOUT

Husky Farm Equipment provides a 10 year warranty against premature perforation (rustout) of any liquid manure spreader manufactured later than Jan. 1987. Providing the manure spreader is used for manure or sludge and not for chemical products.

Extended warranty is pro rated and will be paid only through the crediting off of the then current list price of a replacement manure spreader that portion of the warranty not used up in time.

Warranty will be effective toward replacing spreader only and no cash payments will be made. It will be understood that the original equipment to be replaced will then become the property of Husky Farm Equipment.

This extended warranty will be effective through Husky Farm Equipment factory or factory outlet only, copy of the original invoice to be supplied along with the serial number. This warranty will not be effective for commercial custom haulers or to owners other than the original.

Transportation to and from the factory to be paid for by the owner of the equipment and not by Husky Farm Equipment.

