

Date Purchased _____ Machine Serial No. _____

Size of Spreader _____ Options _____

The key number system in this parts book is arranged as follows:

- ⊙ - Key numbers with two circles denotes main assemblies.
- - Key numbers with one circle are individual parts

Please order parts by number



ELITE TRUCKMOUNT TANK

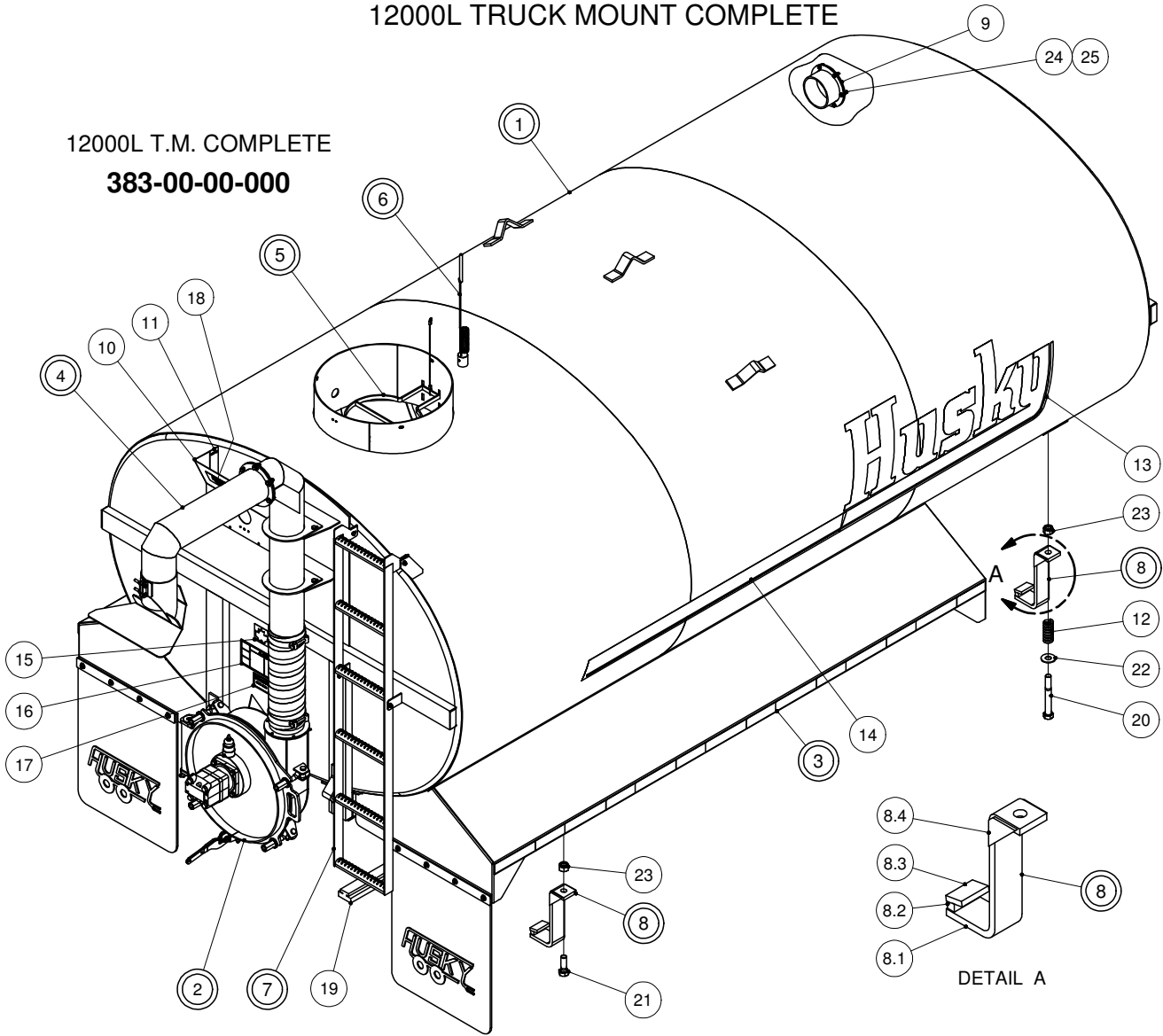
12000L TRUCKMOUNT TANK – 383-00-00-000

OPERATING INSTRUCTIONS:

1. Do not operate machine until you fully understand the safe operating practices.
2. Make sure all moving parts are shielded to prevent coming in contact with clothing.
3. Wash tank after each use. This will increase the life of the tank by many years.
4. After spreading in freezing conditions, make sure impeller housing is fully drained.
5. Much of the fertilizer value of manure is lost when exposed to air. Getting the manure covered quickly is a very important part of spreading manure.
6. **EXTREME DANGER** – Never enter a dirty manure spreader or storage tank – one breath of hydrogen sulphide gas is enough to kill. Have a ladder in your pit, so that if by accident you should fall in, you can get out.

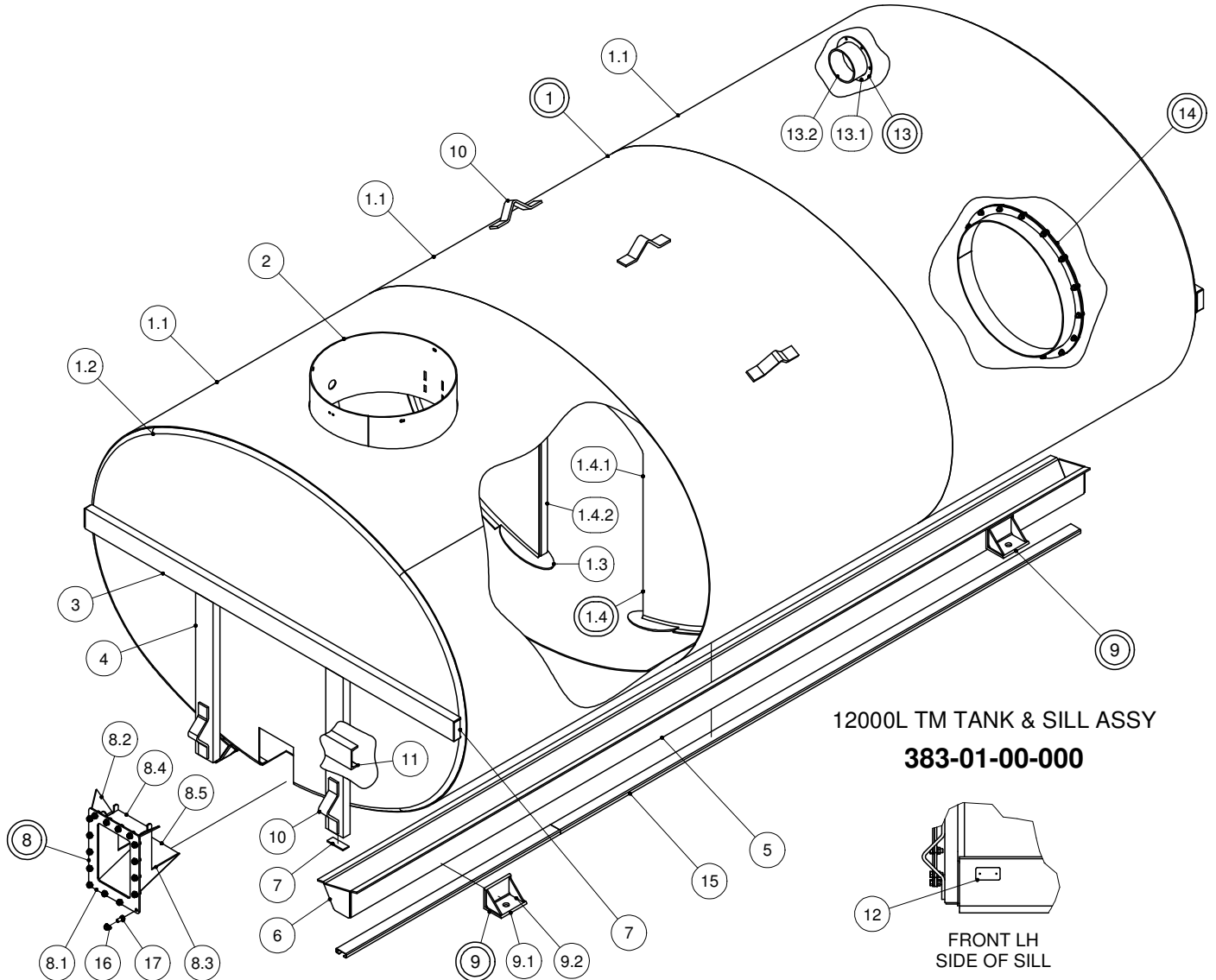
12000L TRUCK MOUNT COMPLETE

12000L T.M. COMPLETE
383-00-00-000



| PARTS LIST | | | | PARTS LIST | | | |
|------------|---------------|--|-----|---|-------------|--------------------------------|-----|
| ITEM | PART NUMBER | DESCRIPTION | QTY | ITEM | PART NUMBER | DESCRIPTION | QTY |
| 1 | 383-01-00-000 | 12000L TANK, SILL, FUNNEL ASSY | 1 | 13 | R09510 | "HUSKY" DECAL | 2 |
| 2 | 384-52-00-000 | HYD FAN & HOUSING COMPLETE-TAPERED SHAFT-26 GPM | 1 | 14 | R09511 | ACCENT STRIP | 2 |
| 3 | 327-30-00-000 | 12000L FENDER KIT - 8'6" O/A | 1 | 15 | R09509 | "MADE IN CANADA" DECAL - LARGE | 1 |
| 4 | 384-05-00-000 | 6" REAR DISCHARGE KIT | 1 | 16 | R10334 | TOXIC GAS PICTORIAL DECAL | 1 |
| 5 | 357-63-00-000 | SAFETY BAR ASSY | 1 | 17 | R09512 | CAPACITY DECAL | 1 |
| 6 | 340-62-00-000 | INDICATOR KIT | 1 | 18 | R09502 | "HUSKY" DECAL | 1 |
| 7 | 364-95-00-000 | LADDER ASSY | 1 | 19 | R10483 | RUBBER T-STRIP | 4 |
| 8 | 316-24-00-000 | HOLD DOWN ASSY | 4 | 20 | R07669 | 1-8 UNC x 8 HEX BOLT GR.8 | 2 |
| 8.1 | 316-24-00-044 | BRKT MAIN PC | 1 | 21 | R07663 | 1-8 UNC x 3 HEX BOLT GR.8 | 2 |
| 8.2 | 316-24-00-045 | SPACER BAR | 1 | 22 | R07828 | 1 FLAT WASHER STD - ZINC | 2 |
| 8.3 | 316-24-00-046 | HOLD DOWN RETURN | 1 | 23 | R08246 | 1-8 UNC NYLOCK NUT - ZINC | 4 |
| 8.4 | 316-24-00-047 | GUSSET | 2 | 24 | R07619 | 3/8-16 UNC x 1 HEX BOLT GR.5 | 6 |
| 9 | 330-00-00-559 | ACCESS TUBE COVER PLATE | 1 | 25 | R07794 | 3/8-16 UNC FLANGE NUT - ZINC | 6 |
| 10 | 372-00-00-045 | STICKER PLATE | 1 | 26 | R09071 | SERIAL NUMBER PLATE | 1 |
| 11 | 372-00-00-046 | STICKER PLATE BRKT | 2 | 27 | R08152 | 6 x 1/4 PAN HD SOCKET SCREW | 2 |
| 12 | R08034 | HP 88 1 x 4 SPRING | 2 | NOT SHOWN IN DWG - LOCATED AT FRONT LH SIDE OF SILL | | | |

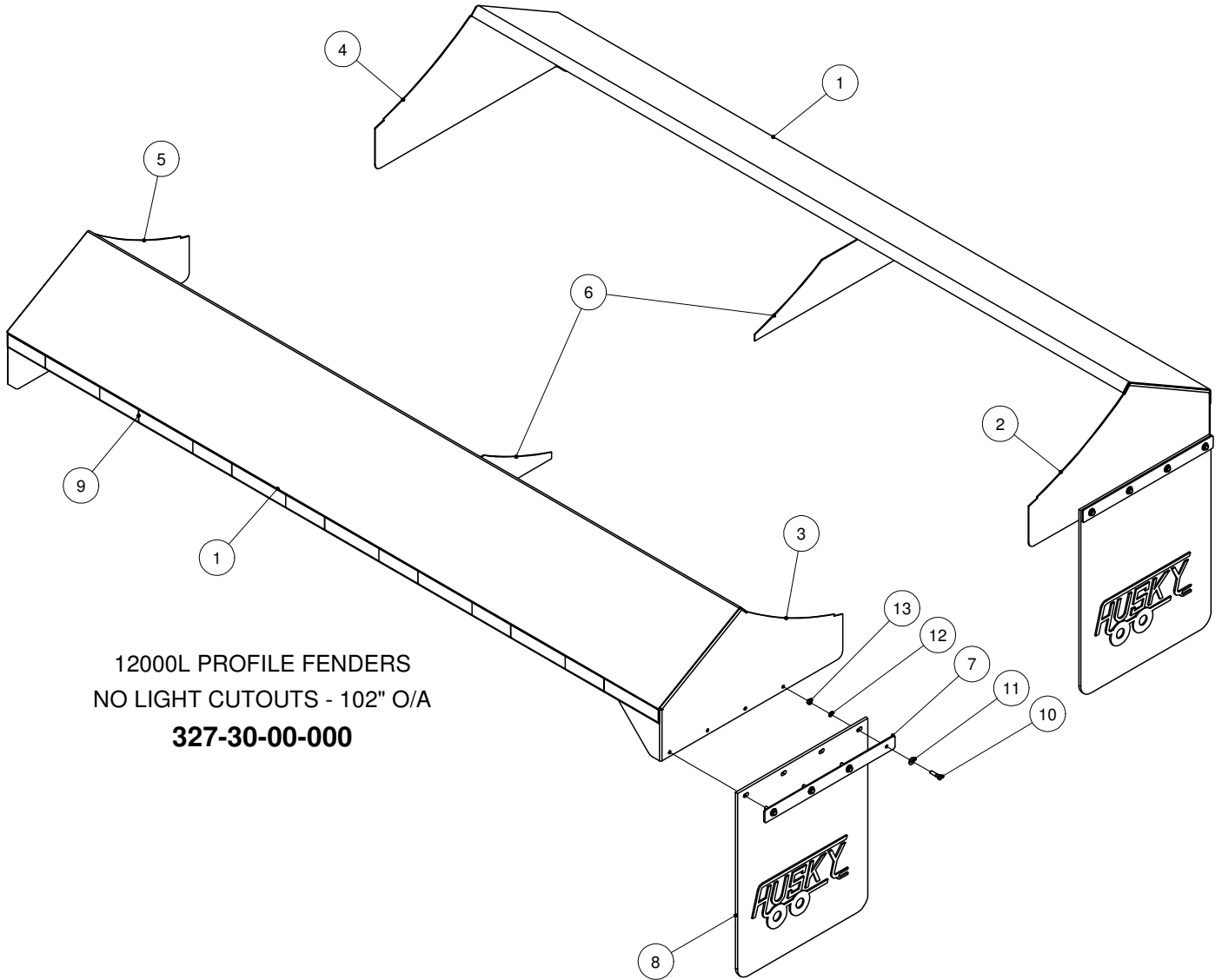
12000L TRUCK MOUNT TANK ASSY



12000L TM TANK & SILL ASSY
383-01-00-000

| PARTS LIST | | | | PARTS LIST | | | |
|------------|---------------|------------------------------|-----|------------|---------------|-------------------------------|-----|
| ITEM | PART NUMBER | DESCRIPTION | QTY | ITEM | PART NUMBER | DESCRIPTION | QTY |
| 1 | 326-88-25-000 | 12000L TANK ASSY | 1 | 8.3 | 364-82-00-396 | RH OUTLET SIDE PC | 1 |
| 1.1 | 326-88-25-278 | 12000L TANK SHELL | 3 | 8.4 | 364-01-03-104 | OUTLET TOP PC | 1 |
| 1.2 | 326-88-25-277 | 12000L FLANGED END | 2 | 8.5 | 364-01-03-105 | OUTLET BOTTOM PC | 1 |
| 1.3 | 340-01-01-559 | OVAL REINFORCING PLATE | 2 | 9 | 316-22-00-000 | HOLD DOWN BRKT ASSY | 4 |
| 1.4 | 326-88-24-000 | 12000L PROFILE BAFFLE ASSY | 1 | 9.1 | 316-22-00-012 | HOLD DOWN ANGLE BRKTS | 1 |
| 1.4.1 | 326-88-25-279 | 12000L BAFFLE | 1 | 9.2 | 316-22-00-035 | HOLD DOWN ANGLE GUSSET | 2 |
| 1.4.2 | 326-88-24-581 | 12000L BAFFLE SUPPORT TUBE | 2 | 10 | 300-01-00-012 | TANK LIFT HOOK | 7 |
| 2 | 364-02-00-006 | 24" MANHOLE | 1 | 11 | 384-01-00-246 | INSIDE CROSS SUPPORT CHANNEL | 1 |
| 3 | 326-88-00-280 | TANK END STIFFENER | 2 | 12 | 340-01-00-498 | SERIAL NO. BACK PLATE | 1 |
| 4 | 327-15-00-050 | VERTICAL REINFORCING CHANNEL | 4 | 13 | 330-20-03-000 | ACCESS TUBE ASSY | 1 |
| 5 | 327-15-00-027 | 12000L TRUCK MOUNT SILL | 2 | 13.1 | 330-20-03-560 | ACCESS TUBE FLANGE | 1 |
| 6 | 327-15-00-028 | SILL CAP | 4 | 13.2 | 330-20-03-556 | ACCESS TUBE | 1 |
| 7 | 330-66-00-258 | STIFFENER END CAP | 8 | 14 | 384-40-00-000 | ACCESS HOLE & COVER PLATE KIT | 1 |
| 8 | 364-82-00-000 | FLANGED TANK OUTLET | 1 | 15 | R10482 | RUBBER MOUNTING SILL CHANNEL | 6 |
| 8.1 | 364-81-02-393 | HOUSING FLANGE | 1 | 16 | R07795 | 1/2-13 UNC FLANGE NUT - ZINC | 16 |
| 8.2 | 364-82-00-395 | LH OUTLET SIDE PC | 1 | 17 | R07637 | 1/2-13 UNC x 1 HEX BOLT GR.5 | 16 |

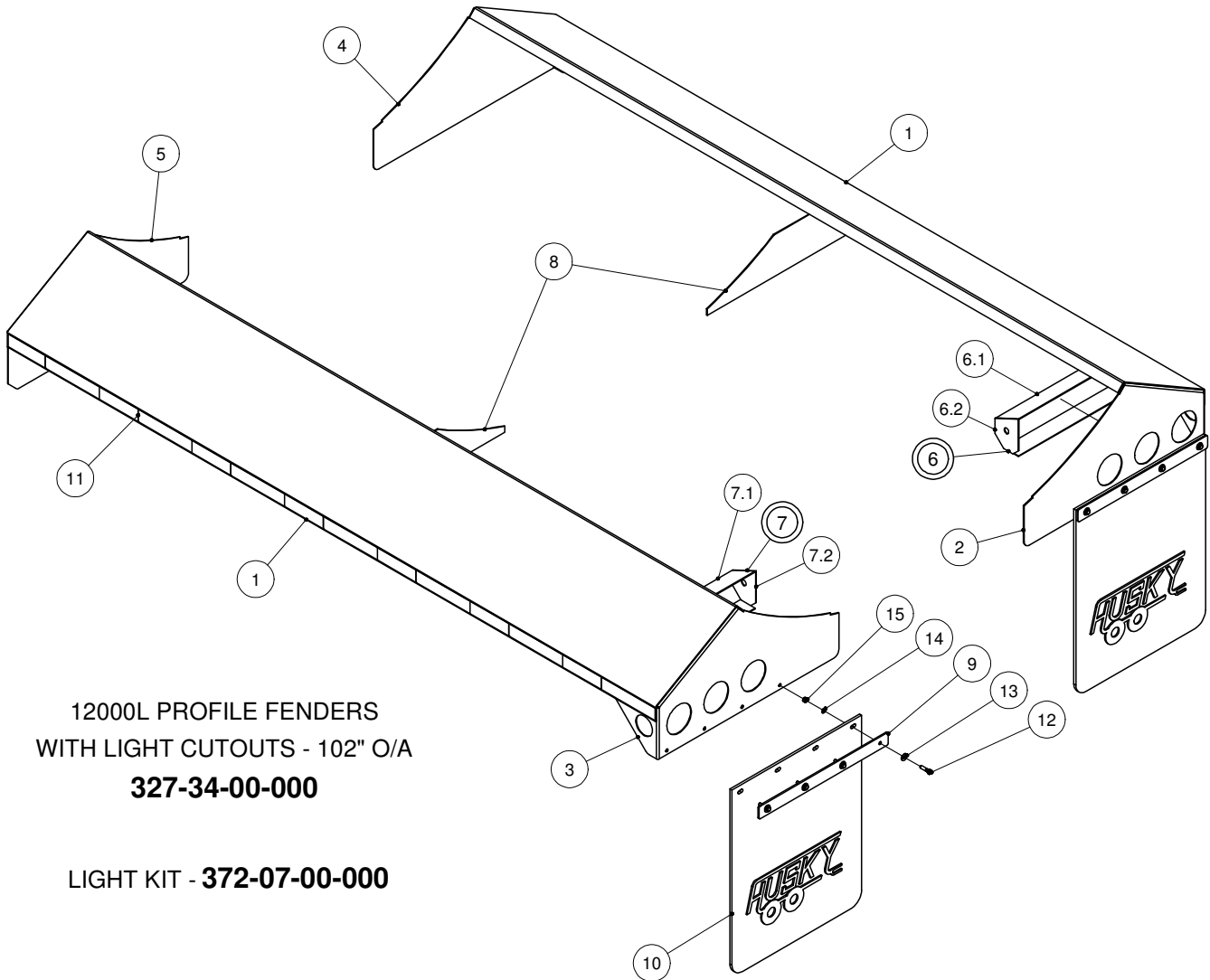
**12000L PROFILE FENDERS
NO LIGHTS - 102" O/A**



12000L PROFILE FENDERS
NO LIGHT CUTOUTS - 102" O/A
327-30-00-000

| PARTS LIST | | | |
|------------|---------------|---------------------------------|-----|
| ITEM | PART NUMBER | DESCRIPTION | QTY |
| 1 | 327-30-00-065 | 12000L FENDER - 102" O/A | 2 |
| 2 | 327-30-00-066 | RH REAR FENDER END - 102" O/A | 1 |
| 3 | 327-30-00-067 | LH REAR FENDER END - 102" O/A | 1 |
| 4 | 327-34-00-088 | RH FRONT FENDER END - 102" O/A | 1 |
| 5 | 327-34-00-089 | LH FRONT FENDER END - 102" O/A | 1 |
| 6 | 327-30-00-068 | 12000L FENDER GUSSET - 102" O/A | 2 |
| 7 | 332-27-00-083 | MUDFLAP CLAMP STRAP | 2 |
| 8 | R09528 | HUSKY MUDFLAP | 2 |
| 9 | R10361 | REFLECTOR TAPE - RED/SILVER | 2 |
| 10 | R07620 | 3/8-16 UNC x 1.5 HEX BOLT GR.5 | 8 |
| 11 | R07823 | 3/8 FLAT WASHER STD - ZINC | 8 |
| 12 | R07803 | 3/8 LOCK WASHER - ZINC | 8 |
| 13 | R07783 | 3/8-16 UNC HEX NUT - ZINC | 8 |

**12000L PROFILE FENDERS
WITH LIGHTS - 102" O/A**

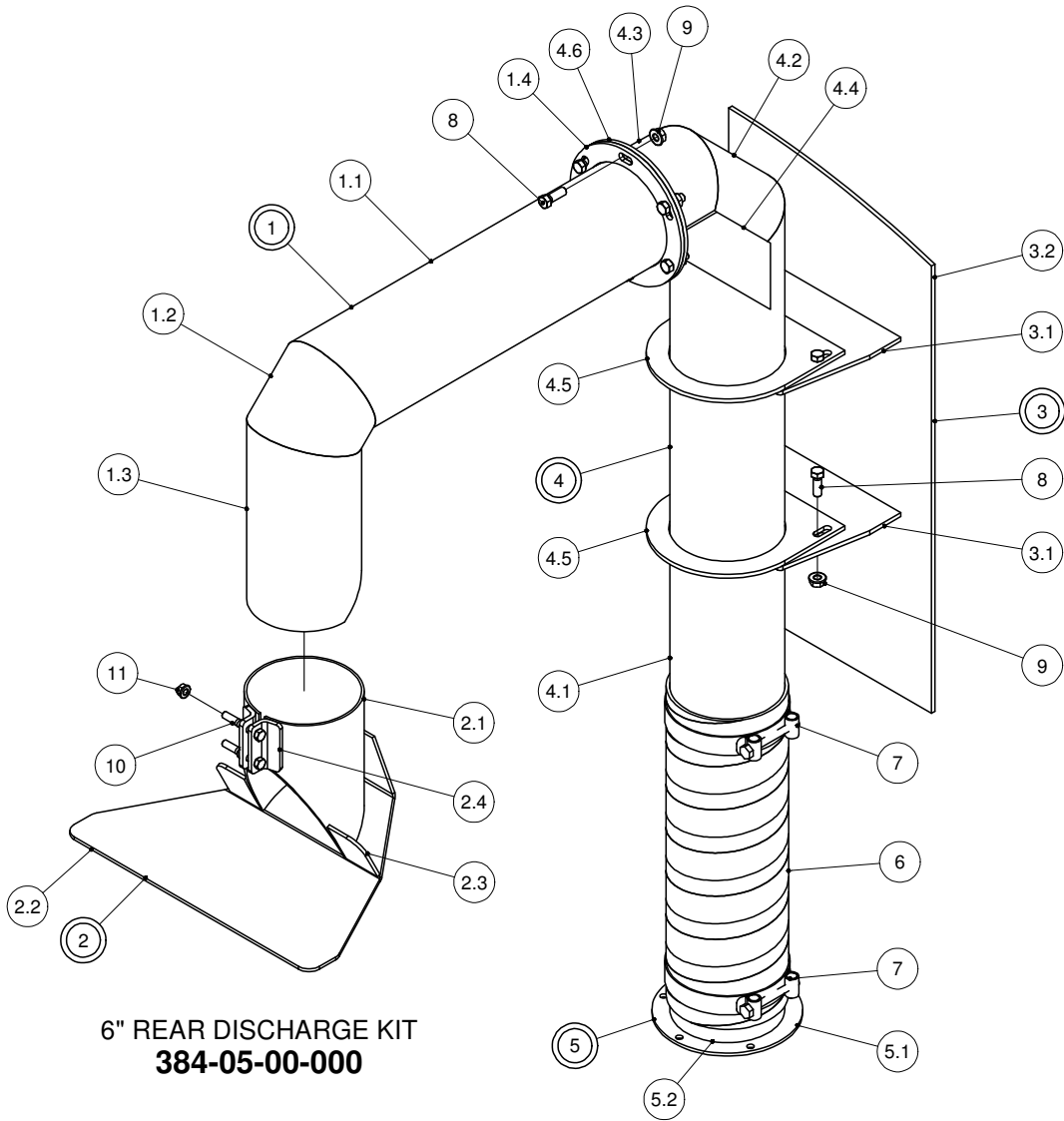


12000L PROFILE FENDERS
WITH LIGHT CUTOUTS - 102" O/A
327-34-00-000

LIGHT KIT - **372-07-00-000**

| PARTS LIST | | | | PARTS LIST | | | |
|------------|---------------|-------------------------------------|-----|------------|---------------|---------------------------------|-----|
| ITEM | PART NUMBER | DESCRIPTION | QTY | ITEM | PART NUMBER | DESCRIPTION | QTY |
| 1 | 327-30-00-065 | 12000L FENDER - 8'6" O/A | 2 | 7.2 | 332-33-01-080 | INNER LIGHT COVER END CAP | 1 |
| 2 | 327-34-00-086 | RH REAR FENDER END w/ LIGHTS - 8'6" | 1 | 8 | 327-30-00-068 | 12000L FENDER GUSSET - 8'6" O/A | 2 |
| 3 | 327-34-00-087 | LH REAR FENDER END w/ LIGHTS - 8'6" | 1 | 9 | 332-27-00-083 | MUDFLAP CLAMP STRAP | 2 |
| 4 | 327-34-00-088 | RH FRONT FENDER END - 8'6" O/A | 1 | 10 | R09528 | HUSKY MUDFLAP | 2 |
| 5 | 327-34-00-089 | LH FRONT FENDER END - 8'6" O/A | 1 | 11 | R10361 | REFLECTOR TAPE - RED/SILVER | 2 |
| 6 | 332-33-01-000 | RH INNER LIGHT COVER ASSY | 1 | 12 | R07620 | 3/8-16 UNC x 1.5 HEX BOLT GR.5 | 8 |
| 6.1 | 332-33-01-079 | INNER LIGHT COVER | 1 | 13 | R07823 | 3/8 FLAT WASHER STD - ZINC | 8 |
| 6.2 | 332-33-01-080 | INNER LIGHT COVER END CAP | 1 | 14 | R07803 | 3/8 LOCK WASHER - ZINC | 8 |
| 7 | 332-33-02-000 | LH INNER LIGHT COVER ASSY | 1 | 15 | R07783 | 3/8-16 UNC HEX NUT - ZINC | 8 |
| 7.1 | 332-33-01-079 | INNER LIGHT COVER | 1 | | | | |

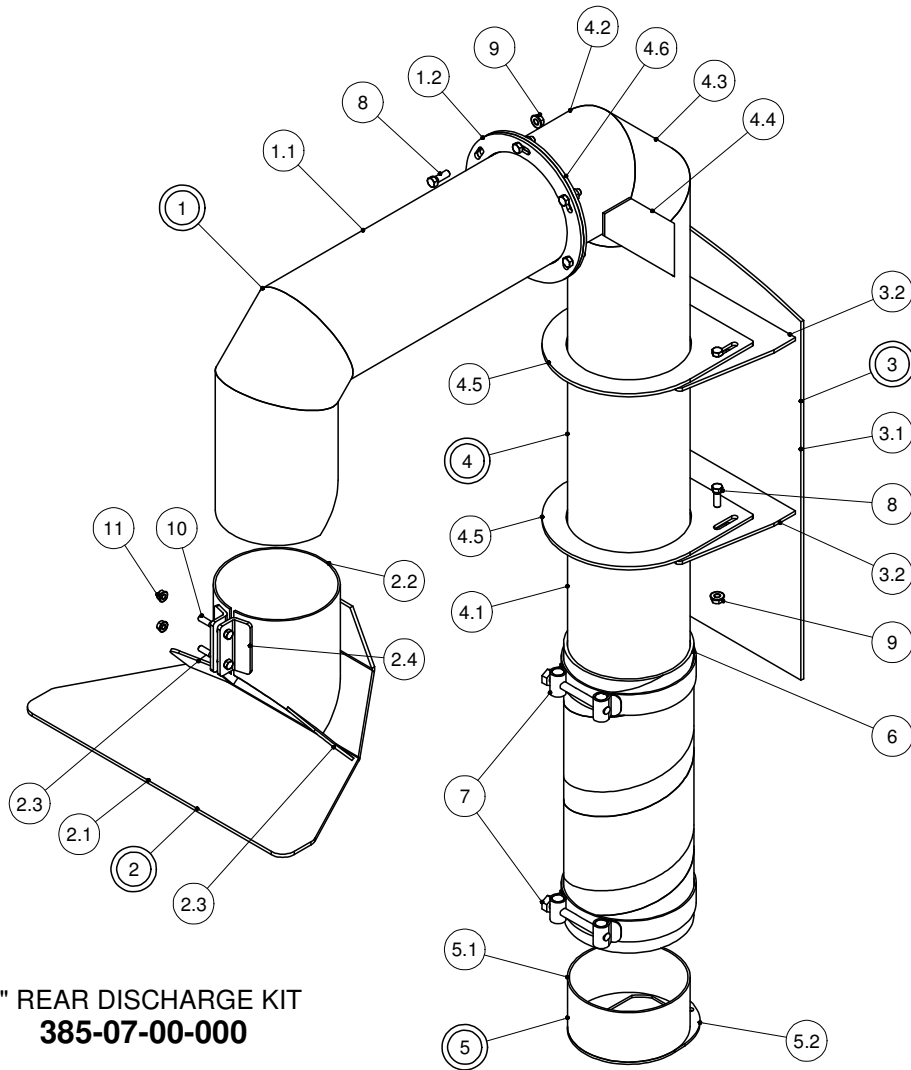
6in REAR DISCHARGE KIT



6" REAR DISCHARGE KIT
384-05-00-000

| PARTS LIST | | | | PARTS LIST | | | |
|------------|---------------|----------------------------------|-----|------------|---------------|----------------------------------|-----|
| ITEM | PART NUMBER | DESCRIPTION | QTY | ITEM | PART NUMBER | DESCRIPTION | QTY |
| 1 | 364-25-00-000 | DISCHARGE PIPE END SECTION ASSY | 1 | 4.2 | 384-05-02-028 | PIPE CORNER PC | 1 |
| 1.1 | 364-25-00-088 | DISCHARGE PIPE FLANGE PC | 1 | 4.3 | 384-05-02-029 | PIPE END PC | 1 |
| 1.2 | 364-19-00-082 | DISCHARGE PIPE CORNER PC | 1 | 4.4 | 384-05-02-097 | GUSSET | 2 |
| 1.3 | 364-25-00-067 | DISCHARGE PIPE END PC | 1 | 4.5 | 384-05-02-069 | TUBE ATTACHMENT BRKT | 2 |
| 1.4 | 364-19-00-087 | DISCHARGE PIPE FLANGE | 1 | 4.6 | 364-19-00-087 | DISCHARGE PIPE FLANGE | 1 |
| 2 | 364-68-00-000 | 6" SPLASH PLATE ASSY | 1 | 5 | 364-31-00-000 | HOSE TUBE ASSY - 6" | 1 |
| 2.1 | 364-68-00-215 | CLAMPING TUBE | 1 | 5.1 | 364-01-03-376 | DISCHARGE RING | 1 |
| 2.2 | 364-21-00-069 | SPLASH PLATE | 1 | 5.2 | 364-01-03-063 | DISCHARGE TUBE | 1 |
| 2.3 | 364-21-00-224 | SPLASH PLATE WING | 2 | 6 | 364-00-00-066 | HOSE SECTION | 1 |
| 2.4 | 364-21-00-071 | CLAMPING TUBE BRKT | 2 | 7 | R02482 | 6" HOSE CLAMP | 2 |
| 3 | 384-05-03-000 | DISCHARGE SUPPORT ASSY - 6" PIPE | 1 | 8 | R07671 | 7/16-14 UNC x 1.25 HEX BOLT GR.5 | 10 |
| 3.1 | 384-05-03-070 | TANK BRKT | 2 | 9 | R07879 | 7/16-14 UNC FLANGE NUT - ZINC | 10 |
| 3.2 | 385-05-04-144 | PIPE HOLDER BACK PLATE | 1 | 10 | R07622 | 3/8-16 UNC x 2.5 HEX BOLT GR.5 | 2 |
| 4 | 384-06-02-000 | VERTICAL DISCHARGE PIPE ASSY | 1 | 11 | R07794 | 3/8-16 UNC FLANGE NUT - ZINC | 2 |
| 4.1 | 384-06-02-037 | VERTICAL DISCHARGE TUBE | 1 | | | | |

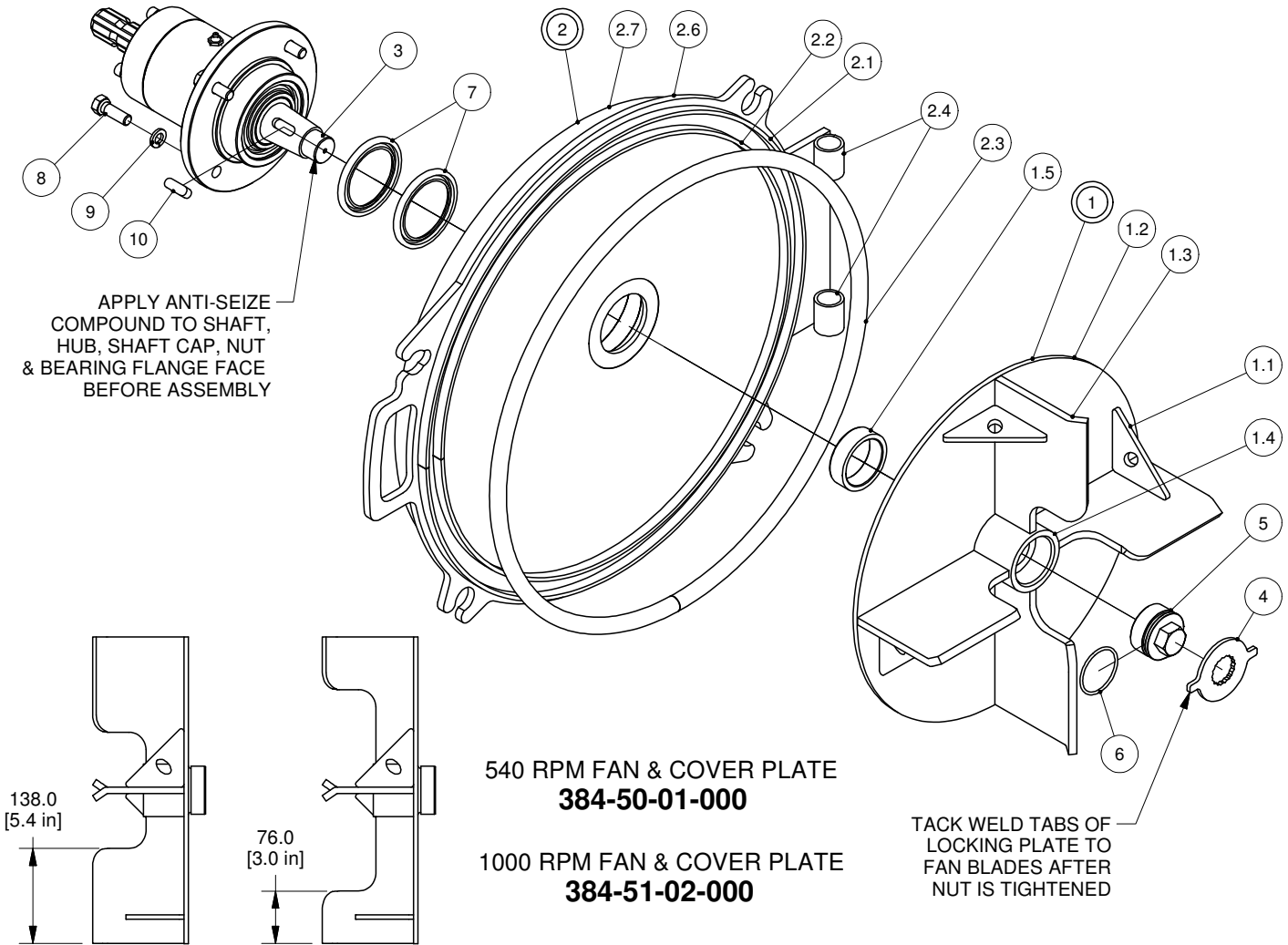
8in REAR DISCHARGE KIT



**8" REAR DISCHARGE KIT
385-07-00-000**

| PARTS LIST | | | | PARTS LIST | | | |
|------------|---------------|---|-----|------------|---------------|----------------------------------|-----|
| ITEM | PART NUMBER | DESCRIPTION | QTY | ITEM | PART NUMBER | DESCRIPTION | QTY |
| 1 | 358-92-03-000 | 8" EXTENSION PIPE ASSY | 1 | 4.2 | 385-05-09-146 | ELBOW END PC | 1 |
| 1.1 | 358-92-03-307 | 8" EXTENSION PIPE | 1 | 4.3 | 385-05-09-147 | ELBOW MIDDLE PC | 1 |
| 1.2 | 358-92-02-306 | 8" DISCHARGE FLANGE | 1 | 4.4 | 384-05-02-097 | GUSSET | 2 |
| 2 | 358-92-04-000 | 8" SPLASH PLATE ASSY | 1 | 4.5 | 357-47-01-227 | 8" PIPE MOUNT BRKT | 2 |
| 2.1 | 358-92-04-308 | 8" SPLASH PLATE | 1 | 4.6 | 358-92-02-306 | 8" DISCHARGE FLANGE | 1 |
| 2.2 | 358-92-04-309 | 8" SPLASH PLATE TUBE | 1 | 5 | 358-92-01-000 | 8" HOUSING RING & TUBE ASSY | 1 |
| 2.3 | 358-92-04-310 | WING FOR 8" SPLASH PLATE | 2 | 5.1 | 358-92-01-302 | 8" HOUSING OUTLET TUBE | 1 |
| 2.4 | 358-92-04-311 | CLAMPING TUBE BRKT | 2 | 5.2 | 358-92-01-301 | 8" HOUSING DISCHARGE RING | 1 |
| 3 | 385-05-04-000 | 8" VERTICAL DISCHARGE PIPE HOLDER ASSY | 1 | 6 | 358-92-00-329 | 8" DISCHARGE HOSE | 1 |
| 3.1 | 385-05-04-144 | PIPE HOLDER BACK PLATE | 1 | 7 | R02484 | 8" SUCTION HOSE CLAMP | 2 |
| 3.2 | 357-47-00-226 | 8" TANK MOUNT BRKT | 2 | 8 | R07671 | 7/16-14 UNC x 1.25 HEX BOLT GR.5 | 10 |
| 4 | 385-05-09-000 | 8" VERTICAL DISCHARGE PIPE ASSY | 1 | 9 | R07879 | 7/16-14 UNC FLANGE NUT - ZINC | 10 |
| 4.1 | 385-05-09-145 | 8" VERTICAL DISCHARGE TUBE | 1 | 10 | R07622 | 3/8-16 UNC x 2.5 HEX BOLT GR.5 | 2 |
| | | | | 11 | R07794 | 3/8-16 UNC FLANGE NUT - ZINC | 2 |

COVER PLATE-TAPERED SHAFT

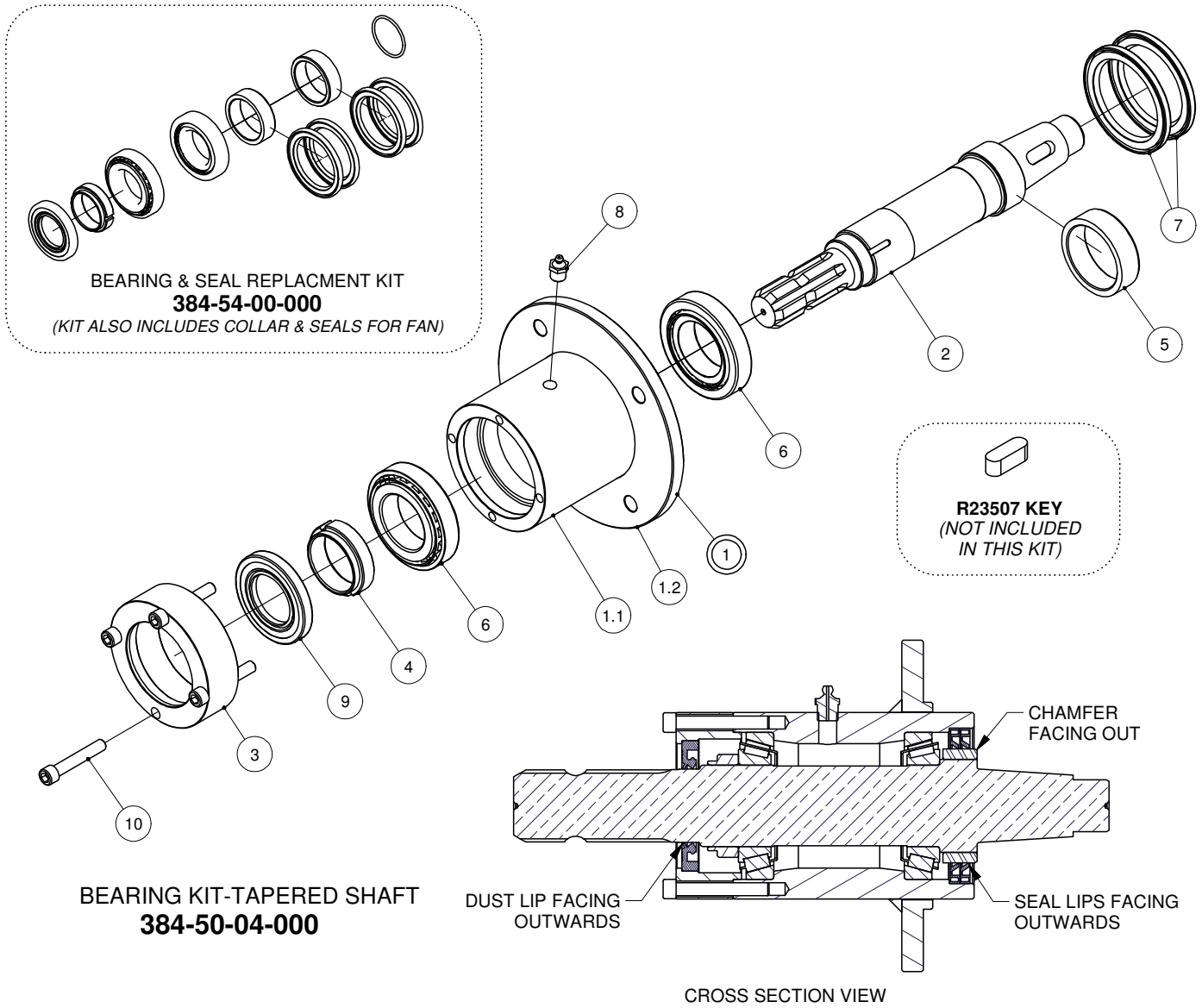


NOTES:

- ALWAYS GREASE SEALS AND SHAFT COLLAR BEFORE INSTALLATION
- ENSURE SEAL LIPS DO NOT "FOLD OVER" DURING ASSEMBLY

| PARTS LIST | | | | PARTS LIST | | | |
|------------|---------------|------------------------------------|-----|------------|---------------|---|-----|
| ITEM | PART NUMBER | DESCRIPTION | QTY | ITEM | PART NUMBER | DESCRIPTION | QTY |
| 1 | 384-50-02-000 | TAPERED HUB FAN ASSY - 540 RPM CHT | 1 | 2.5 | 384-50-03-642 | MOTOR & BEARING BOX MOUNT | 1 |
| | 384-51-02-000 | TAPERED HUB FAN ASSY-1000 RPM CHT | 1 | 2.6 | 384-50-03-641 | COVER PLATE-TAPERED SHAFT | 1 |
| 1.1 | 364-72-00-422 | FAN BLADE GUSSET | 4 | 2.7 | 384-27-02-534 | REIN. RING-1000 RPM COVER PLATE | 1 |
| 1.2 | 384-33-03-417 | FAN BACK PLATE | 1 | 3 | 384-50-04-000 | BEARING KIT 1-3/4"-20T - TAPERED SHAFT | 1 |
| 1.3 | 384-33-03-419 | CHT 540 RPM FAN BLADE | 4 | 4 | 384-50-01-647 | TAPERED HUB LOCKING PLATE | 1 |
| 1.4 | 384-50-02-639 | TAPERED IMPELLER HUB | 1 | 5 | 384-50-01-648 | TAPERED SHAFT CAP NUT | 1 |
| 1.5 | R23443 | HARDENED SEAL COLLAR - 2.75" OD | 1 | 6 | R23444 | O-RING #226 - 2.25" OD x 2" ID | 1 |
| 2 | 384-50-03-000 | COVER PLATE ASSY - TAPERED SHAFT | 1 | 7 | R23441 | GREASE SEAL HM21 - 2.750" x 3.751" x .25" | 2 |
| 2.1 | 384-20-03-295 | OUTER RING | 1 | 8 | R07638 | 1/2-13 UNC x 1.5 HEX BOLT GR.5 | 4 |
| 2.2 | 384-20-03-296 | INNER RING | 1 | 9 | R07805 | 1/2 LOCK WASHER - ZINC | 4 |
| 2.3 | 384-20-00-301 | RUBBER SEAL | 1 | 10 | R23507 | MACHINE KEY - 7/16" SQ x 1-1/4" | 1 |
| 2.4 | 384-20-03-570 | HATCH PIN SLEEVE | 2 | | | | |

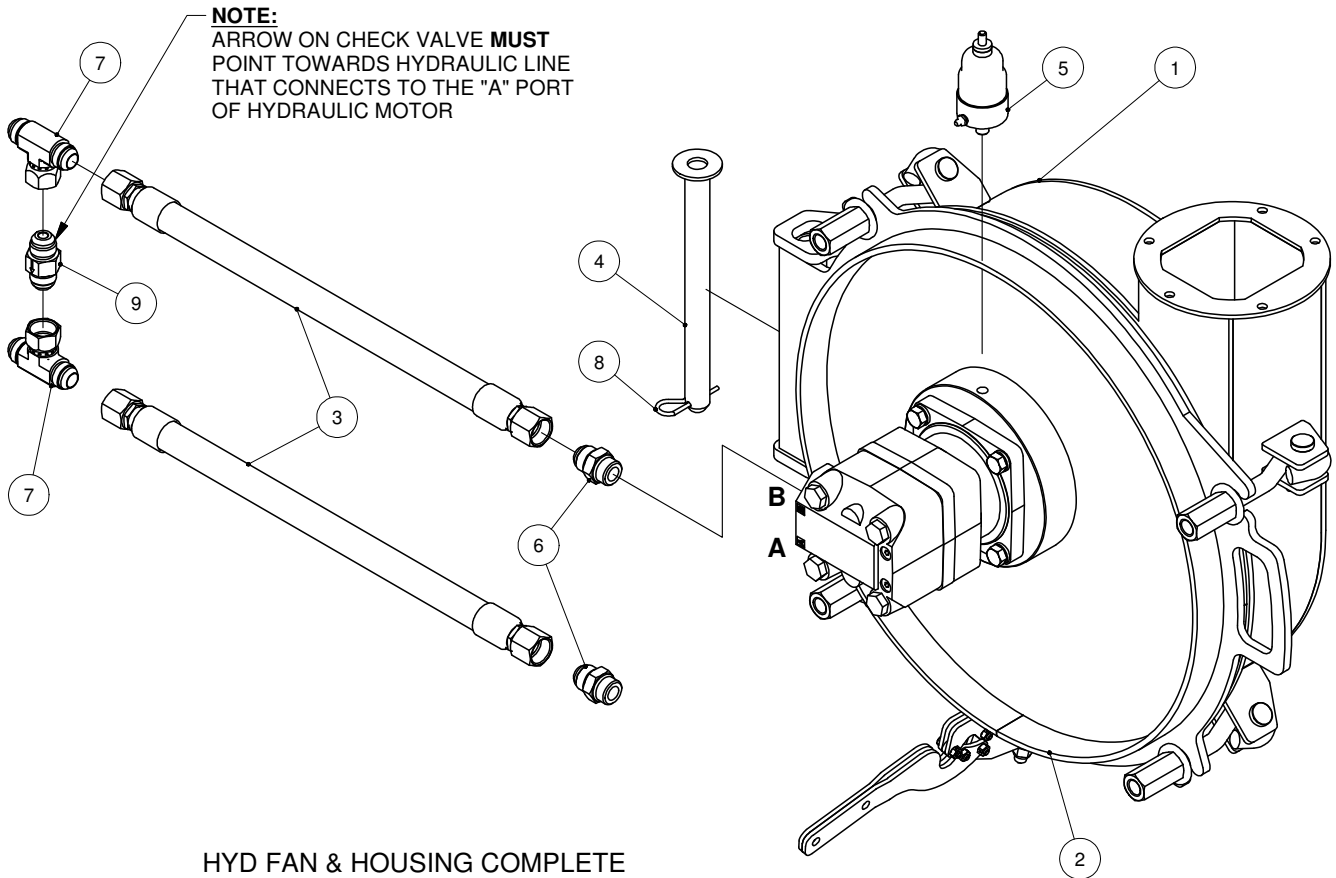
BEARING KIT-TAPERED SHAFT



**BEARING KIT-TAPERED SHAFT
384-50-04-000**

| PARTS LIST | | | |
|------------|---------------|---|-----|
| ITEM | PART NUMBER | DESCRIPTION | QTY |
| 1 | 384-50-05-000 | BEARING TUBE ASSY-TAPERED SHAFT | 1 |
| 1.1 | 384-50-05-643 | TAPERED SHAFT BEARING TUBE | 1 |
| 1.2 | 384-50-05-644 | BEARING TUBE FLANGE | 1 |
| 2 | 384-50-04-637 | TAPERED FAN SHAFT - 1-3/8"-6T | 1 |
| 3 | 384-50-04-645 | TAPERED SHAFT BEARING TUBE CAP | 1 |
| 4 | 384-50-04-646 | STAKE NUT - M50-1.5 | 1 |
| 5 | R23443 | HARDENED SEAL COLLAR - 2.75" OD | 1 |
| 6 | R23429 | TAPERED ROLLER BEARING - 50 x 90 x 21.75 | 2 |
| 7 | R23441 | GREASE SEAL HM21 - 2.750" x 3.751" x .25" | 2 |
| 8 | R08188 | 1/4" NPT STRAIGHT GREASE FTG | 1 |
| 9 | R23442 | SEAL D.L. - 45 x 80 x 10 HMSA10 RG | 1 |
| 10 | R08368 | 3/8-16 UNC x 2.25 SHCS - BLK | 4 |

HYD FAN & HOUSING COMPLETE -TAPERED SHAFT 26 GPM



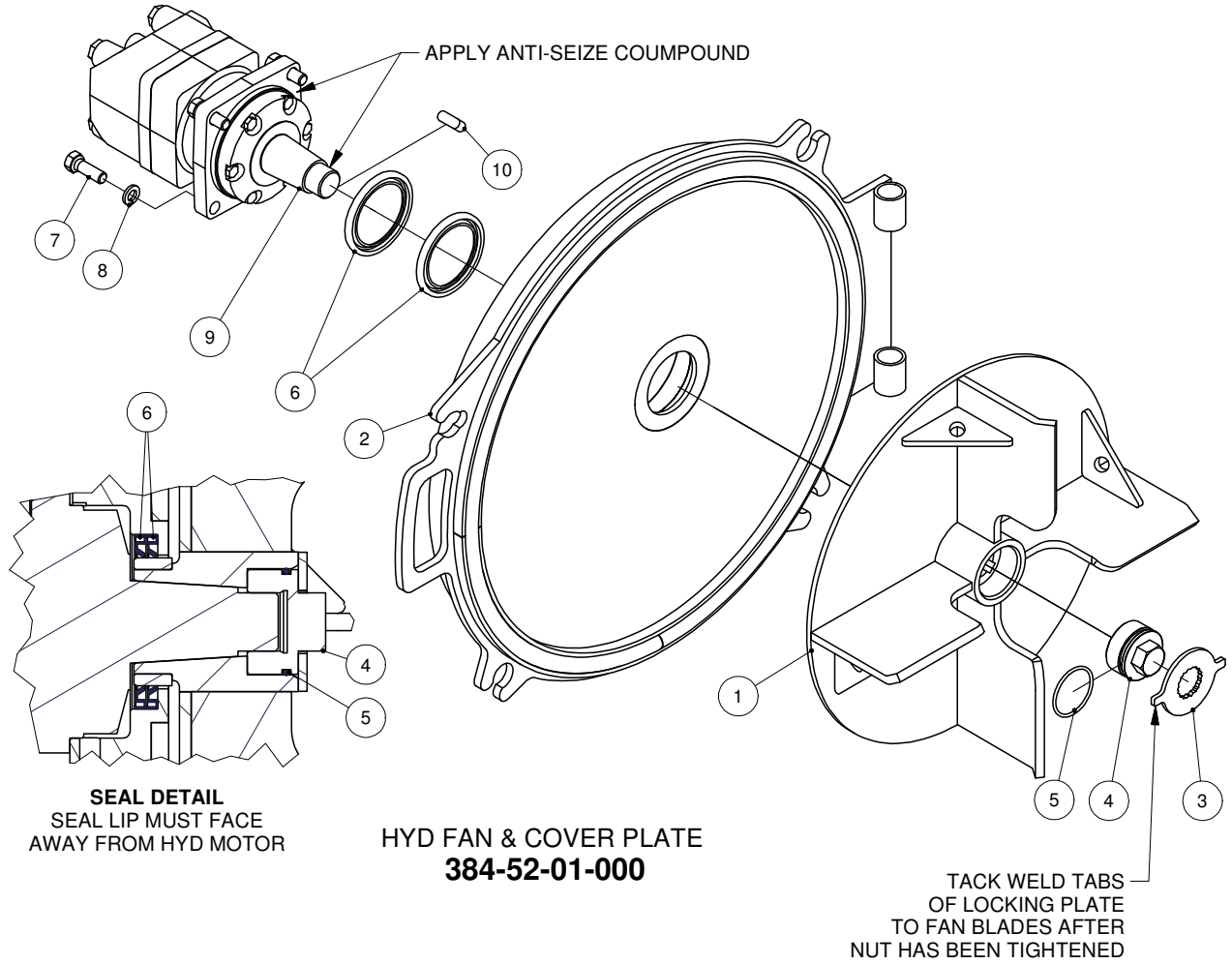
HYD FAN & HOUSING COMPLETE
384-52-00-000

R23512
REPLACEMENT SEAL KIT FOR MLHT160T4A
HYD MOTOR w/ TAPERED SHAFT

| PARTS LIST | | | |
|------------|---------------|--|-----|
| ITEM | PART NUMBER | DESCRIPTION | QTY |
| 1 | 384-20-01-000 | HOUSING ASSY-CHT(2007) | 1 |
| 2 | 384-52-01-000 | HYD FAN & COVER PLATE-TAPERED SHAFT | 1 |
| 3 | 384-35-03-000 | 3/4" HYDRAULIC HOSE ASSY | 2 |
| 4 | 376-02-04-000 | LID PIN ASSY | 1 |
| 5 | R10595 | SPRING PRESSURE AUTO GREASE CUP | 1 |
| 6 | R23098 | ORB-12 x 3/4" JIC M. ADAPTOR | 2 |
| 7 | R23122 | 3/4" M. x 3/4" M. x 3/4" SW F. JIC TEE | 2 |
| 8 | R07948 | 5/32 HAIR PIN | 1 |
| 9 | R23447 | 3/4" M. JIC CHECK VALVE | 1 |

HYD FAN & COVER PLATE-TAPERED SHAFT

M&S MLHT160
26.5 MAX GPM
2950 MAX PSI



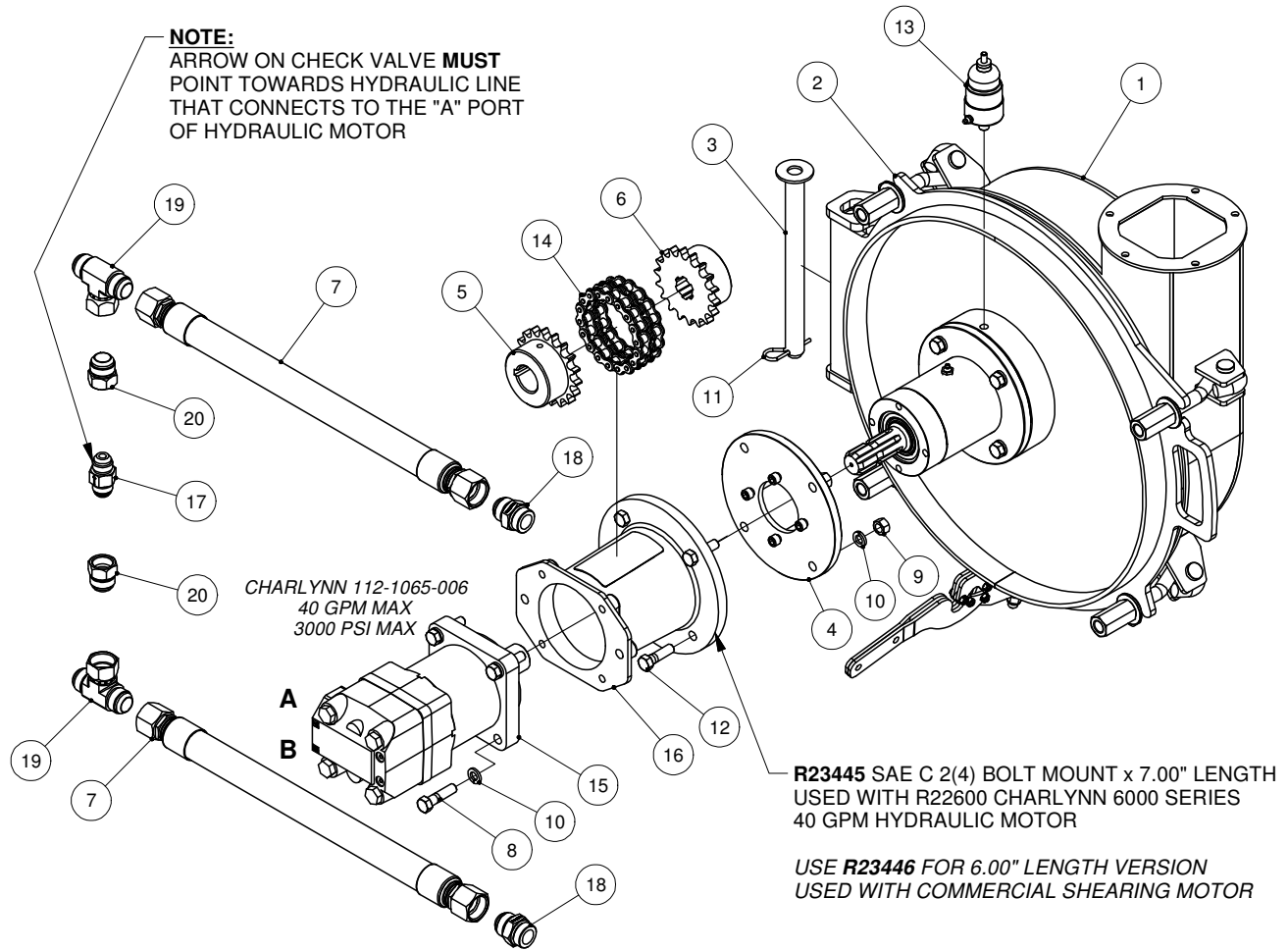
R23512
REPLACEMENT SEAL KIT FOR MLHT160T4A
HYD MOTOR w/ TAPERED SHAFT

NOTES:

- ALWAYS GREASE SEALS AND SHAFT COLLAR BEFORE INSTALLATION
- ENSURE SEAL LIPS DO NOT "FOLD OVER" DURING ASSEMBLY

| PARTS LIST | | | |
|------------|---------------|---|-----|
| ITEM | PART NUMBER | DESCRIPTION | QTY |
| 1 | 384-50-02-000 | TAPERED HUB FAN ASSY - 540 RPM CHT | 1 |
| 2 | 384-50-03-000 | COVER PLATE ASSY - TAPERED SHAFT | 1 |
| 3 | 384-50-01-647 | TAPERED HUB LOCKING PLATE | 1 |
| 4 | 384-50-01-648 | TAPERED SHAFT CAP NUT | 1 |
| 5 | R23444 | O-RING #226 - 2.25" OD x 2" ID | 1 |
| 6 | R23441 | GREASE SEAL HM21 - 2.750" x 3.751" x .25" | 2 |
| 7 | R07638 | 1/2-13 UNC x 1.5 HEX BOLT GR.5 | 4 |
| 8 | R07805 | 1/2 LOCK WASHER - ZINC | 4 |
| 9 | R23506 | M+S HYD MOTOR-MLHT160 TAPERED SHAFT | 1 |
| 10 | R23507 | MACHINE KEY - 7/16" SQ x 1-1/4" | 1 |

HYD FAN & HOUSING COMPLETE-TAPERED SHAFT-40 GPM

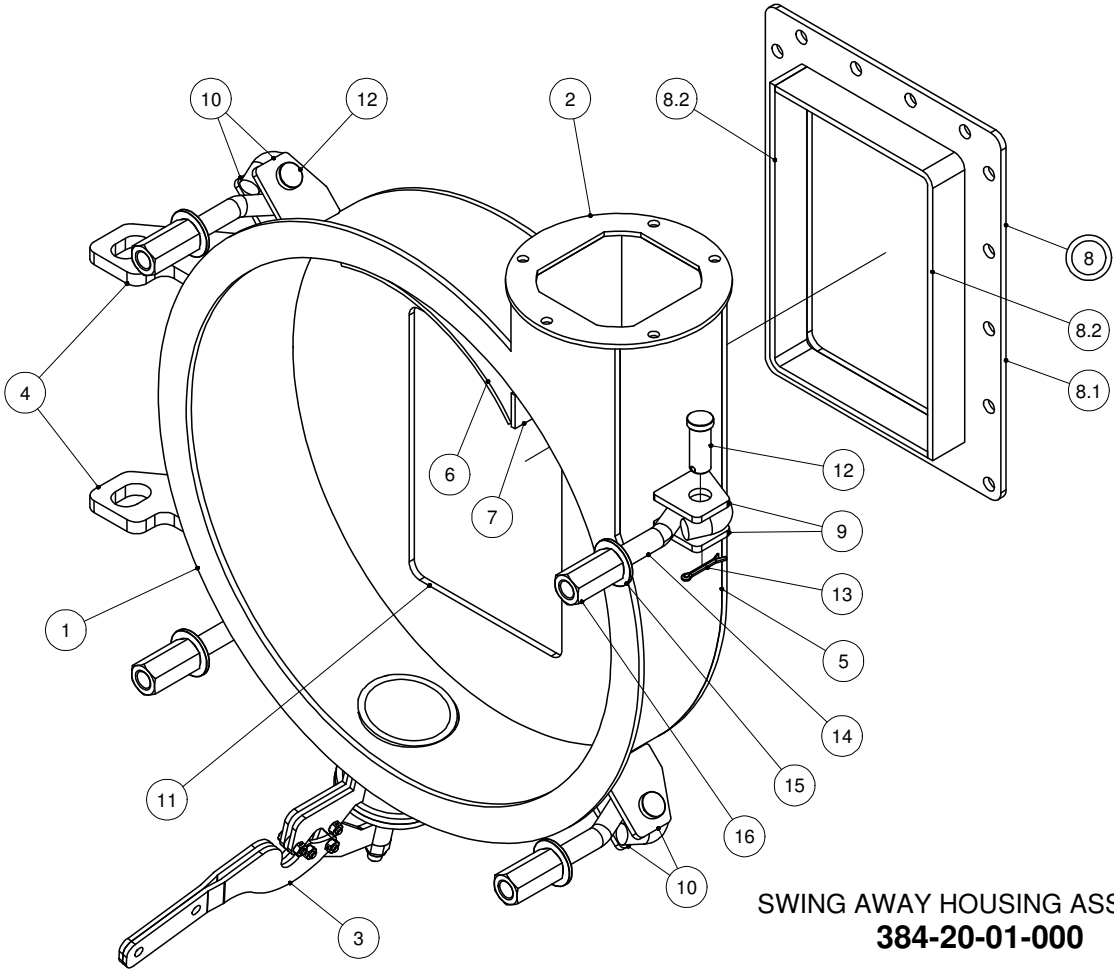


R22611 - CHARLYNN REPLACEMENT REAR BODY SEAL KIT
R22612 - CHARLYNN REPLACEMENT SHAFT SEAL KIT

HYD FAN & HOUSING COMPLETE 384-53-00-000

| PARTS LIST | | | | PARTS LIST | | | |
|------------|---------------|-------------------------------------|-----|------------|-------------|-------------------------------------|-----|
| ITEM | PART NUMBER | DESCRIPTION | QTY | ITEM | PART NUMBER | DESCRIPTION | QTY |
| 1 | 384-20-01-000 | HOUSING ASSY-CHT(2007) | 1 | 12 | R08454 | 1/2-13 UNC x 1.75 HEX BOLT GR.5 | 4 |
| 2 | 384-50-01-000 | 540 FAN & COVER PLATE-TAPERED SHAFT | 1 | 13 | R10595 | SPRING PRESSURE AUTO GREASE CUP | 1 |
| 3 | 376-02-04-000 | LID PIN ASSY | 1 | 14 | R20883 | 60-18 COUPLING CHAIN | 1 |
| 4 | 384-53-00-650 | HYD MOTOR MOUNT FLANGE | 1 | 15 | R22600 | 112-1065 CHARLYNN MOTOR-6000 40 GPM | 1 |
| 5 | 384-00-00-277 | 60B - 18 SPR.-1 1/2" STR SHAFT | 1 | 16 | R23445 | HYD MOTOR MOUNT- SAE C 2(4) x 7.00 | 1 |
| 6 | 384-02-00-072 | SPROCKET FOR 6 TOOTH SPLINE | 1 | 17 | R23447 | 3/4" M. JIC CHECK VALVE | 1 |
| 7 | 384-53-01-000 | 1" HYDRAULIC HOSE ASSY | 2 | 18 | R23101 | ORB-16 x 1" JIC M. ADAPTER | 2 |
| 8 | R07639 | 1/2-13 UNC x 2 HEX BOLT GR.5 | 4 | 19 | R23123 | 1" M. x 1" M. x 1" SW F. JIC TEE | 2 |
| 9 | R07785 | 1/2-13 UNC HEX NUT - ZINC | 4 | 20 | R23084 | 3/4" JIC F. x 1" JIC M. BUSHING | 2 |
| 10 | R07805 | 1/2 LOCK WASHER - ZINC | 8 | | | | |
| 11 | R07948 | 5/32 HAIR PIN | 1 | | | | |

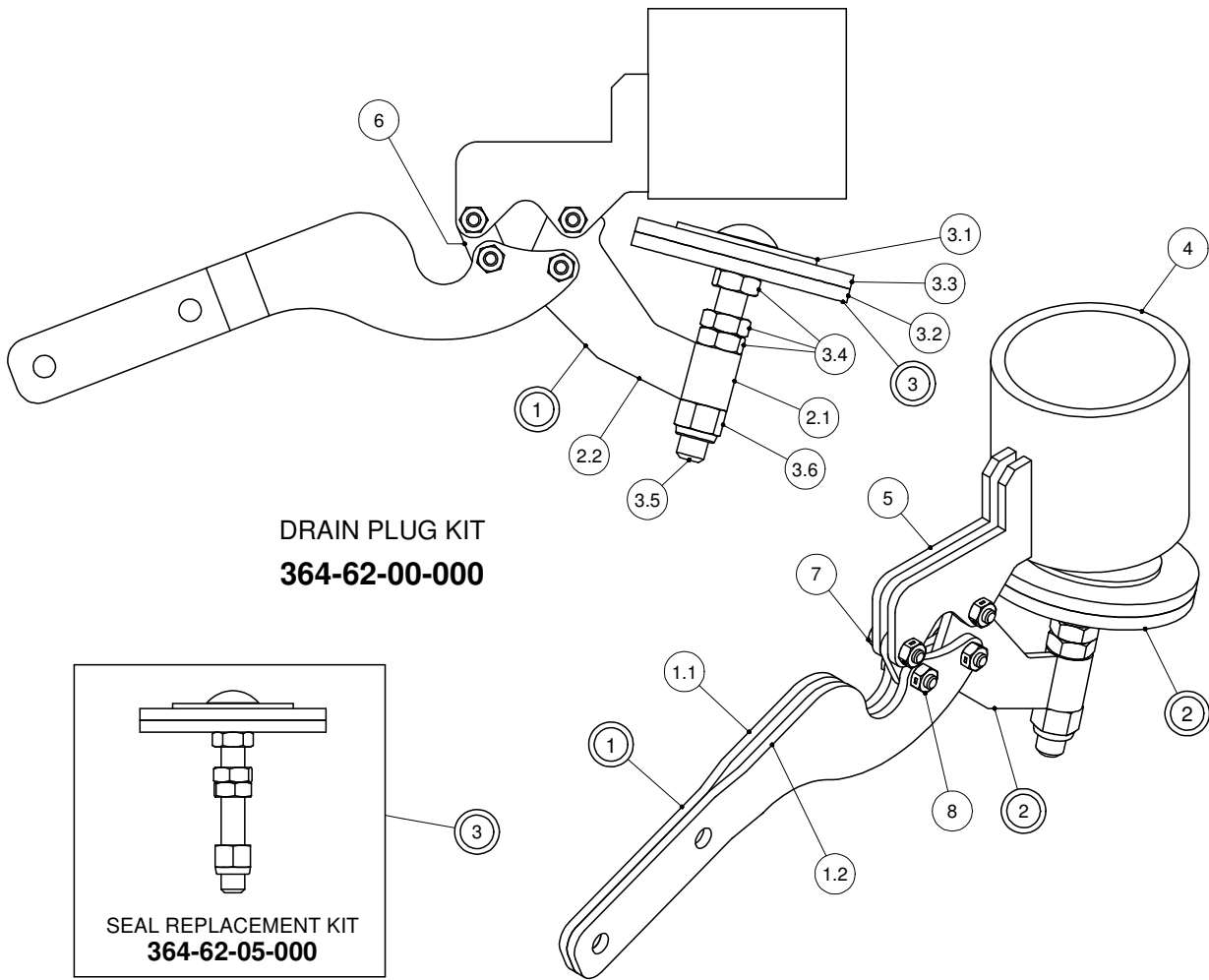
SWING AWAY HOUSING ASSY-CHT



**SWING AWAY HOUSING ASSY-CHT
384-20-01-000**

| PARTS LIST | | | |
|------------|---------------|--------------------------------|-----|
| ITEM | PART NUMBER | DESCRIPTION | QTY |
| 1 | 384-20-01-289 | HOUSING FLANGE | 1 |
| 2 | 364-01-03-376 | DISCHARGE RING | 1 |
| 3 | 364-62-00-000 | DRAIN PLUG KIT | 1 |
| 4 | 384-20-01-290 | DOOR HINGE | 2 |
| 5 | 357-48-01-232 | CHT HOUSING BAND | 1 |
| 6 | 357-48-01-231 | CHT HOUSING BAND AID | 1 |
| 7 | 357-48-01-230 | CHT FAN HOUSING VERTICAL PC | 1 |
| 8 | 357-48-02-000 | CHT HOUSING INLET FLANGE ASSY | 1 |
| 8.1 | 364-81-02-393 | HOUSING FLANGE | 1 |
| 8.2 | 357-48-02-233 | CHT INLET EXTENSION | 2 |
| 9 | 384-20-01-424 | SHORT HOUSING LUG | 2 |
| 10 | 384-20-01-423 | HOUSING LUG | 6 |
| 11 | 357-48-01-228 | CHT HOUSING BACK PLATE | 1 |
| 12 | R08443 | EYE BOLT PIN | 4 |
| 13 | R08207 | 5/32 x 1 1/2 COTTER PIN - SS | 4 |
| 14 | R08442 | 3/4" EYE BOLT | 4 |
| 15 | 376-02-00-577 | MANWAY WASHER | 4 |
| 16 | R07800 | 3/4-10 UNC COUPLING NUT - ZINC | 4 |

DRAIN PLUG KIT



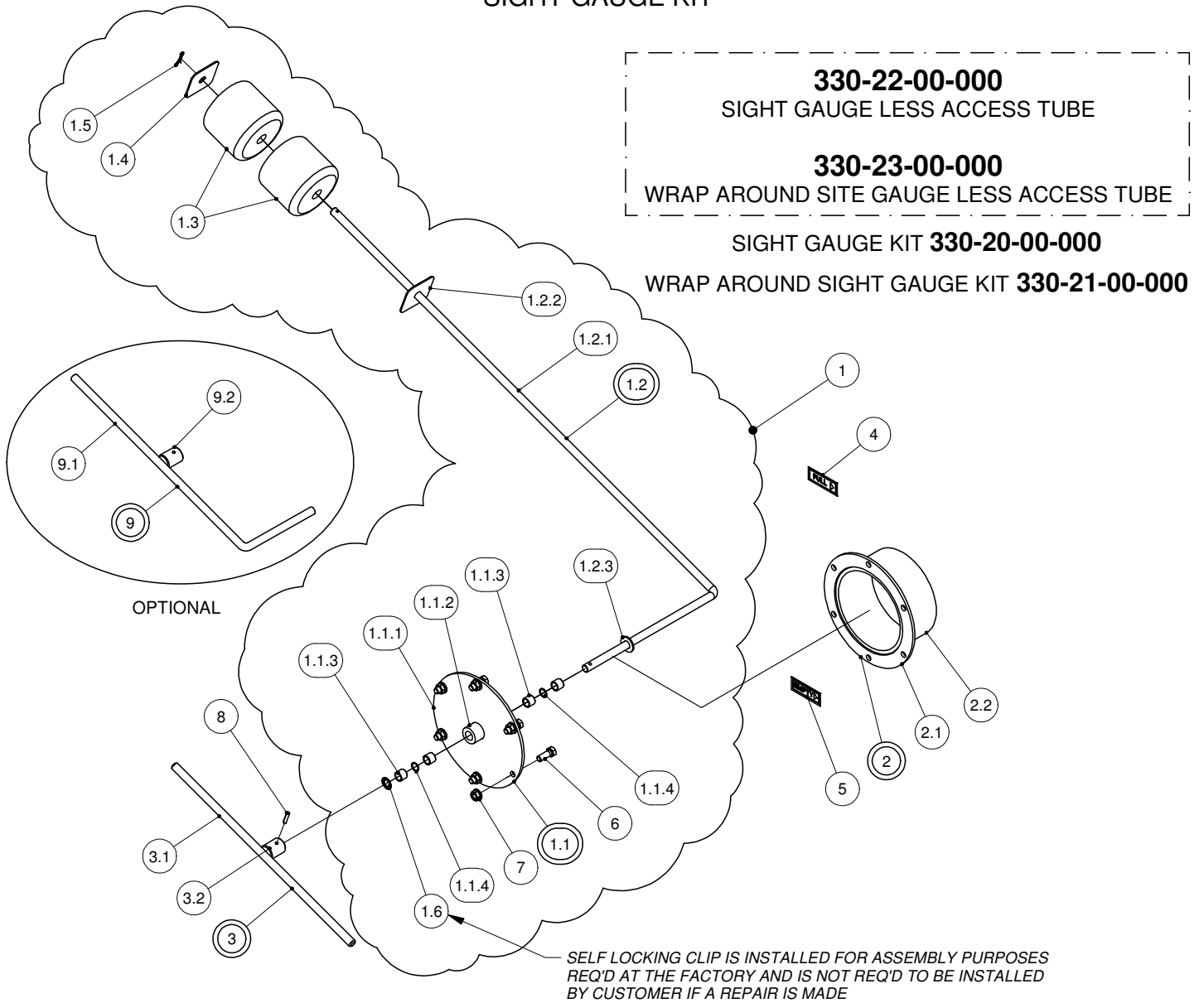
DRAIN PLUG KIT
364-62-00-000

SEAL REPLACEMENT KIT
364-62-05-000

PARTS LIST

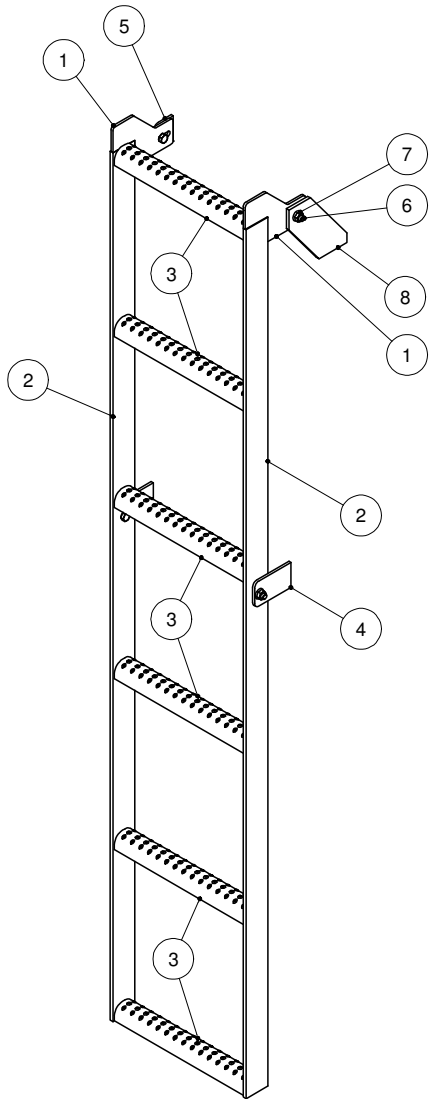
| ITEM | PART NUMBER | DESCRIPTION | QTY |
|------|---------------|---|-----|
| 1 | 364-62-03-000 | HANDLE ASSY | 1 |
| 1.1 | 364-62-03-206 | LH HANDLE | 1 |
| 1.2 | 364-62-03-207 | RH HANDLE | 1 |
| 2 | 364-62-01-000 | DRAIN PLUG SLEEVE ASSY | 1 |
| 2.1 | 364-62-01-201 | SLEEVE | 1 |
| 2.2 | 364-62-01-200 | SLEEVE LINKAGE | 1 |
| 3 | 364-62-05-000 | DRAIN PLUG REPLACEMENT KIT | 1 |
| 3.1 | 364-62-04-370 | PLUG WASHER | 1 |
| 3.2 | 364-62-02-203 | PLUG PLATE | 1 |
| 3.3 | R03071 | DRAIN PLUG GASKET | 1 |
| 3.4 | R08046 | 1/2-13 UNC HEX JAM NUT - ZINC | 3 |
| 3.5 | R07748 | 1/2-13 UNC x 4 FULL THREAD CARRIAGE BOLT Gr.5 | 1 |
| 3.6 | R08219 | 1/2-13 UNC NYLOCK NUT - ZINC | 1 |
| 4 | 364-01-03-110 | DRAIN PIPE | 1 |
| 5 | 364-62-00-199 | PLUG HOUSING BRKT | 2 |
| 6 | 364-62-00-205 | SHORT LINKAGE | 1 |
| 7 | R07176 | 1/4-20 UNC x 0.875 SHOULDER HEX BOLT GR.5 | 4 |
| 8 | R08048 | 1/4-20 UNC 2-WAY LOCK NUT - ZINC | 4 |

SIGHT GAUGE KIT

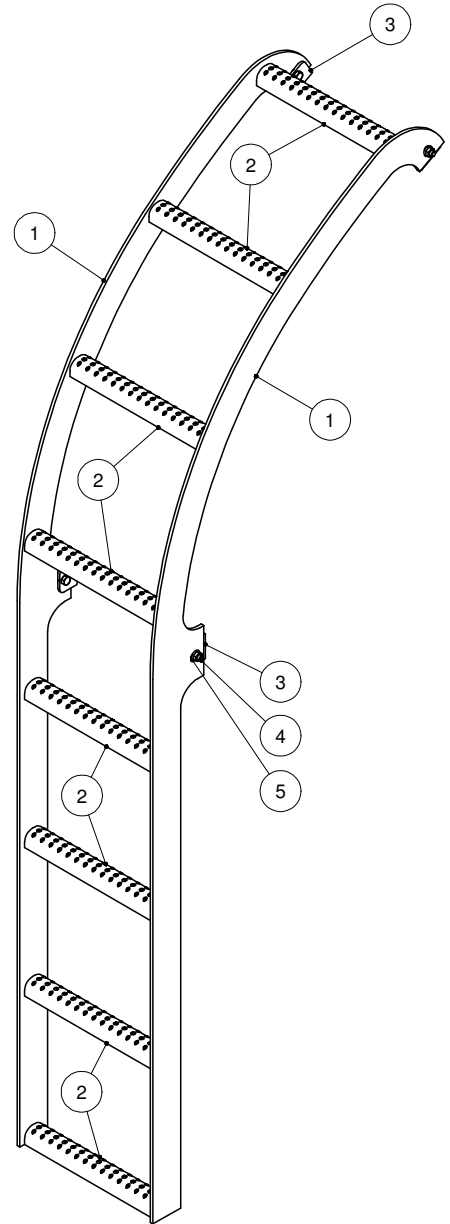


| PARTS LIST | | | | PARTS LIST | | | |
|------------|---------------|---------------------------------|-----|------------|---------------|------------------------------|-----|
| ITEM | PART NUMBER | DESCRIPTION | QTY | ITEM | PART NUMBER | DESCRIPTION | QTY |
| 1 | 330-22-01-000 | SIGHT GAUGE w/o INDICATOR | 1 | 2 | 330-20-03-000 | ACCESS TUBE ASSY | 1 |
| 1.1 | 330-20-04-000 | COVER PLATE ASSY | 1 | 2.1 | 330-20-03-560 | ACCESS TUBE FLANGE | 1 |
| 1.1.1 | 330-20-00-557 | COVER PLATE | 1 | 2.2 | 330-20-03-556 | ACCESS TUBE | 1 |
| 1.1.2 | 330-20-04-562 | BUSHING HOLDER | 1 | 3 | 330-20-02-000 | INDICATOR ARM ASSY | 1 |
| 1.1.3 | R21173 | 1/2 x 5/8 x 1/2" BRONZE BUSHING | 4 | 3.1 | 330-20-02-554 | INDICATOR ARM | 1 |
| 1.1.4 | R20865 | O-RING #11-014 | 2 | 3.2 | 330-20-02-553 | INDICATOR ARM HUB | 1 |
| 1.2 | 330-20-01-000 | FLOAT ARM ASSY | 1 | 4 | R09529 | "FULL" DECAL | 1 |
| 1.2.1 | 330-20-01-551 | FLOAT ARM | 1 | 5 | R09530 | "EMPTY" DECAL | 1 |
| 1.2.2 | 330-20-01-552 | FLOAT STRAPS | 1 | 6 | R07619 | 3/8-16 UNC x 1 HEX BOLT GR.5 | 6 |
| 1.2.3 | R08222 | 1/2 FLAT WASHER SAE - SS | 1 | 7 | R07794 | 3/8-16 UNC FLANGE NUT - ZINC | 6 |
| 1.3 | R09524 | FLOAT | 2 | 8 | R08241 | 3/16 x 1 ROLL PIN - SS | 1 |
| 1.4 | 330-20-01-552 | FLOAT STRAPS | 1 | 9 | 330-21-01-000 | WRAP AROUND SITE ARM ASSY | 1 |
| 1.5 | R08021 | 1/8 x 1 S.S. COTTER PIN | 1 | 9.1 | 330-19-46-546 | WRAP AROUND SITE ARM | 1 |
| 1.6 | R08514 | 1/2" EXT. RETAINING RING | 1 | 9.2 | 330-20-02-553 | INDICATOR ARM HUB | 1 |

LADDER KIT



LADDER KIT
364-95-00-000



SIDE LADDER KIT
15000L PROFILE
385-39-00-000

| PARTS LIST | | | |
|------------|---------------|------------------------------|-----|
| ITEM | PART NUMBER | DESCRIPTION | QTY |
| 1 | 364-95-00-326 | LADDER LUG | 2 |
| 2 | 364-95-00-325 | LADDER SIDE PC | 2 |
| 3 | 364-95-00-324 | LADDER RUNG | 6 |
| 4 | 364-00-00-414 | TANK LUG | 2 |
| 5 | 364-95-00-327 | UPPER TANK LUG | 2 |
| 6 | R07619 | 3/8-16 UNC x 1 HEX BOLT GR.5 | 4 |
| 7 | R07794 | 3/8-16 UNC FLANGE NUT - ZINC | 4 |
| 8 | 384-00-00-216 | LADDER BRKT | 1 |

| PARTS LIST | | | |
|------------|---------------|------------------------------|-----|
| ITEM | PART NUMBER | DESCRIPTION | QTY |
| 1 | 385-39-00-582 | 15000 PROFILE SIDE LADDER PC | 2 |
| 2 | 364-95-00-324 | LADDER RUNG | 8 |
| 3 | 364-95-00-327 | UPPER TANK LUG | 4 |
| 4 | R07619 | 3/8-16 UNC x 1 HEX BOLT GR.5 | 4 |
| 5 | R07794 | 3/8-16 UNC FLANGE NUT - ZINC | 4 |

SLIDE LID KIT

| PARTS LIST | | | |
|------------|---------------|--------------------------------|-----|
| ITEM | PART NUMBER | DESCRIPTION | QTY |
| 1 | 357-45-01-000 | 24" SLIDE LID ASSY | 1 |
| 1.1 | 357-45-01-204 | SLIDE LID FRONT LOWER PANEL | 1 |
| 1.2 | 357-45-01-205 | SLIDE LID FRONT UPPER PANEL | 1 |
| 1.3 | 357-45-01-202 | 24" SLIDE LID SIDE | 2 |
| 1.4 | 357-45-01-203 | SLIDE LID REAR PANEL | 1 |
| 1.5 | 357-45-01-257 | SIDE LOWER GUIDE BARS | 2 |
| 1.6 | 357-45-01-206 | SIDE UPPER GUIDE BARS | 2 |
| 1.7 | 357-45-01-207 | REAR GUIDE BAR | 2 |
| 2 | 357-45-02-000 | RH SLIDE RAIL ASSY | 1 |
| 2.1 | 357-45-02-209 | SLIDE RAIL | 1 |
| 2.2 | 357-45-02-210 | SLIDE RAIL LEG | 1 |
| 2.3 | 357-45-02-208 | LOWER GUIDE | 2 |
| 3 | 357-45-03-000 | 24" LID ASSY - HYD | 1 |
| | 357-45-05-000 | 24" LID ASSY - AIR | 1 |
| 3.1 | 357-45-03-213 | 24" SLIDE LID | 1 |
| 3.2 | 357-45-03-214 | SLIDE LID LUG | 1 |
| | 357-45-05-242 | SLIDE LID LUG - AIR | * |
| 4 | 357-45-04-000 | LH SLIDE RAIL ASSY | 1 |
| 4.1 | 357-45-02-209 | SLIDE RAIL | 1 |
| 4.2 | 357-45-02-210 | SLIDE RAIL LEG | 1 |
| 4.3 | 357-45-02-208 | LOWER GUIDE | 2 |
| 5 | R23274 | 20TH24 HYD CYL-ORB | 1 |
| | | AIR CYLINDER | * |
| 6 | 357-45-07-000 | TANK LUG ASSY FOR HYD CYLINDER | 1 |
| | 357-45-06-000 | TANK LUG ASSY FOR AIR CYLINDER | 1 |
| 6.1 | 368-54-02-425 | CYLINDER BRKT BASE PLATE | 1 |
| 6.2 | 357-45-07-254 | TANK LUG FOR HYD CYLINDER | 1 |
| | 357-45-06-243 | TANK LUG FOR AIR CYLINDER | * |
| 7 | 357-45-09-000 | SAFETY GRATE ASSY | 1 |
| 7.1 | 357-45-08-000 | SAFETY BAR ASSY | 1 |
| 7.1.1 | 357-45-08-274 | SAFETY BAR | 1 |
| 7.1.2 | R08222 | 1/2 FLAT WASHER SAE - SS | 1 |
| 7.2 | 357-45-08-274 | SAFETY BAR | 2 |
| 7.3 | 357-45-09-314 | SAFETY RING | 1 |
| 8 | 357-45-00-211 | SLIDE LID RUBBER STRAP | 1 |
| 9 | 357-45-00-212 | RUBBER | 1 |
| 10 | R08207 | 5/32 x 1 1/2 COTTER PIN - SS | 3 |
| 11 | R07611 | 5/16-18 UNC x 1 HEX BOLT GR.5 | 5 |
| 12 | R07802 | 5/16 LOCK WASHER - ZINC | 5 |
| 13 | R07782 | 5/16-18 UNC HEX NUT - ZINC | 5 |

TRUCK MOUNT LIGHTS & EXTRAS



Ø2 1/2" GROMMET
& PLUG
R10355

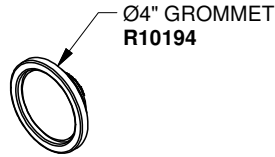


Ø2 1/2" RED **LED**
CLEARANCE LIGHT
R10586

Ø2 1/2" YELLOW **LED**
CLEARANCE LIGHT
R10585

Ø2 1/2" RED
CLEARANCE LIGHT
R10353

Ø2 1/2" AMBER
CLEARANCE LIGHT
R10354



Ø4" RED **LED** LIGHT KIT
R10358

Ø4" YELLOW **LED** LIGHT KIT
R10588

Ø4" CLEAR **LED** BACKUP
LIGHT KIT
R10587

Ø4" RED LIGHT KIT
R10087

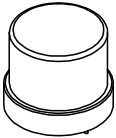
Ø4" BACKUP LIGHT KIT
R10088

Ø4" AMBER w/ CLEAR BACK
R10347



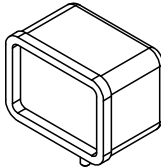
RED CLEARANCE LIGHT
R10089

AMBER CLEARANCE LIGHT
R10090



AMBER **LED** STROBE BEACON LIGHT
R10598

AMBER STROBE BEACON LIGHT
R10337

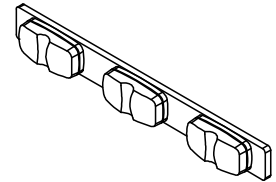


LED WORK LIGHT
R10340

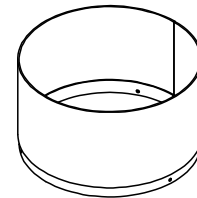
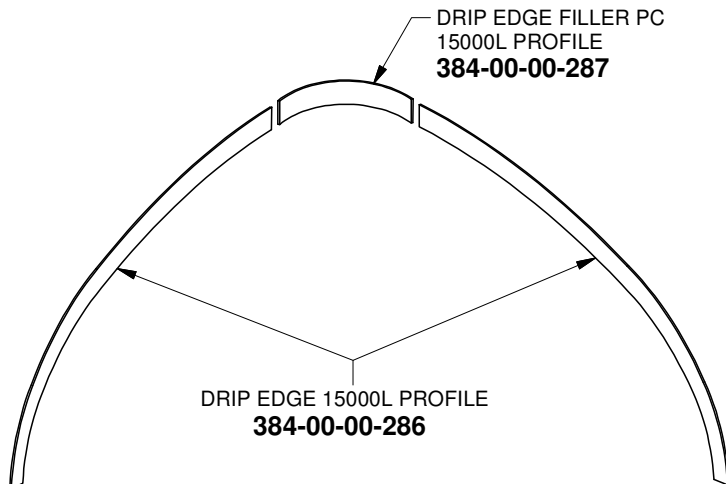
TRACTOR SPOT LIGHT
R10092



LICENSE LAMP
R10093

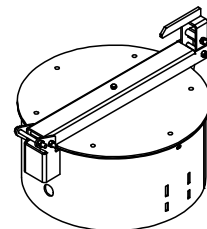


CLEARANCE LIGHT CLUSTER
R10091



12" FILLHOLE EXTENSION
408-20-00-000

6" FILLHOLE EXTENSION
358-16-00-000



24" OVER CENTRE HATCH KIT
384-10-00-000

This Page is Intentionally Left Blank

GUARANTEE

All Husky Farm Equipment manufactured by Husky Farm Equipment Limited is guaranteed. Guarantee covers all the replacement cost or repair of all parts said to be defective from manufacture. Guarantee also covers labour installing said parts, if installed at Husky Manufacturing plant. Time and use is the essence of the guarantee. If equipment is used on a private property for an individual's use, guarantee will be in effect for twelve months from date of invoice. If equipment is used for commercial use to do custom work for money then guarantee will be in effect for three months only from date of invoice.

EXEMPTIONS FROM GUARANTEE

Cost of transportation of equipment to or from Husky Farm Equipment Limited either by customer or by Husky's service staff or cost of mail or public transportation is not covered. Tires and electric or hydraulic motors are covered by manufacturer's warranty and although Husky may assist to get warranty, Husky will not be responsible other than that allowed by manufacturer's warranty. Items subject to normal wear from use not covered by guarantee if faulty part is simply worn.