

Date Purchased _____ Machine Serial No. _____

Size of Spreader _____ Options _____

The key number system in this parts book is arranged as follows:

- ⊙ - Key numbers with two circles denotes main assemblies.
- - Key numbers with one circle are individual parts

Please order parts by number



ELITE TRUCKMOUNT TANK

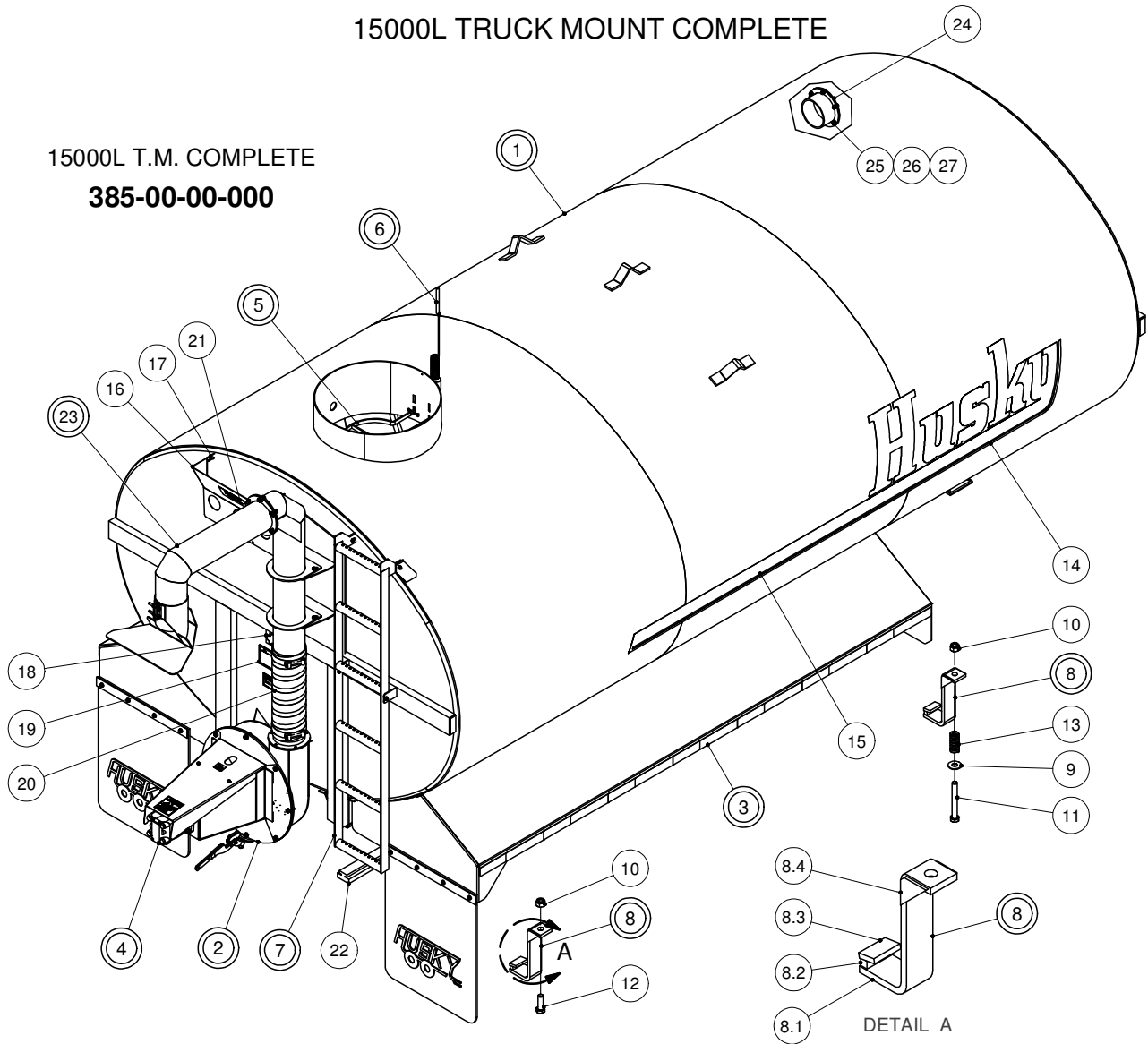
15000L TRUCKMOUNT TANK – 385-00-00-000

OPERATING INSTRUCTIONS:

1. Do not operate machine until you fully understand the safe operating practices.
2. Make sure all moving parts are shielded to prevent coming in contact with clothing.
3. Wash tank after each use. This will increase the life of the tank by many years.
4. After spreading in freezing conditions, make sure impeller housing is fully drained.
5. Much of the fertilizer value of manure is lost when exposed to air. Getting the manure covered quickly is a very important part of spreading manure.
6. **EXTREME DANGER** – Never enter a dirty manure spreader or storage tank – one breath of hydrogen sulphide gas is enough to kill. Have a ladder in your pit, so that if by accident you should fall in, you can get out.

15000L TRUCK MOUNT COMPLETE

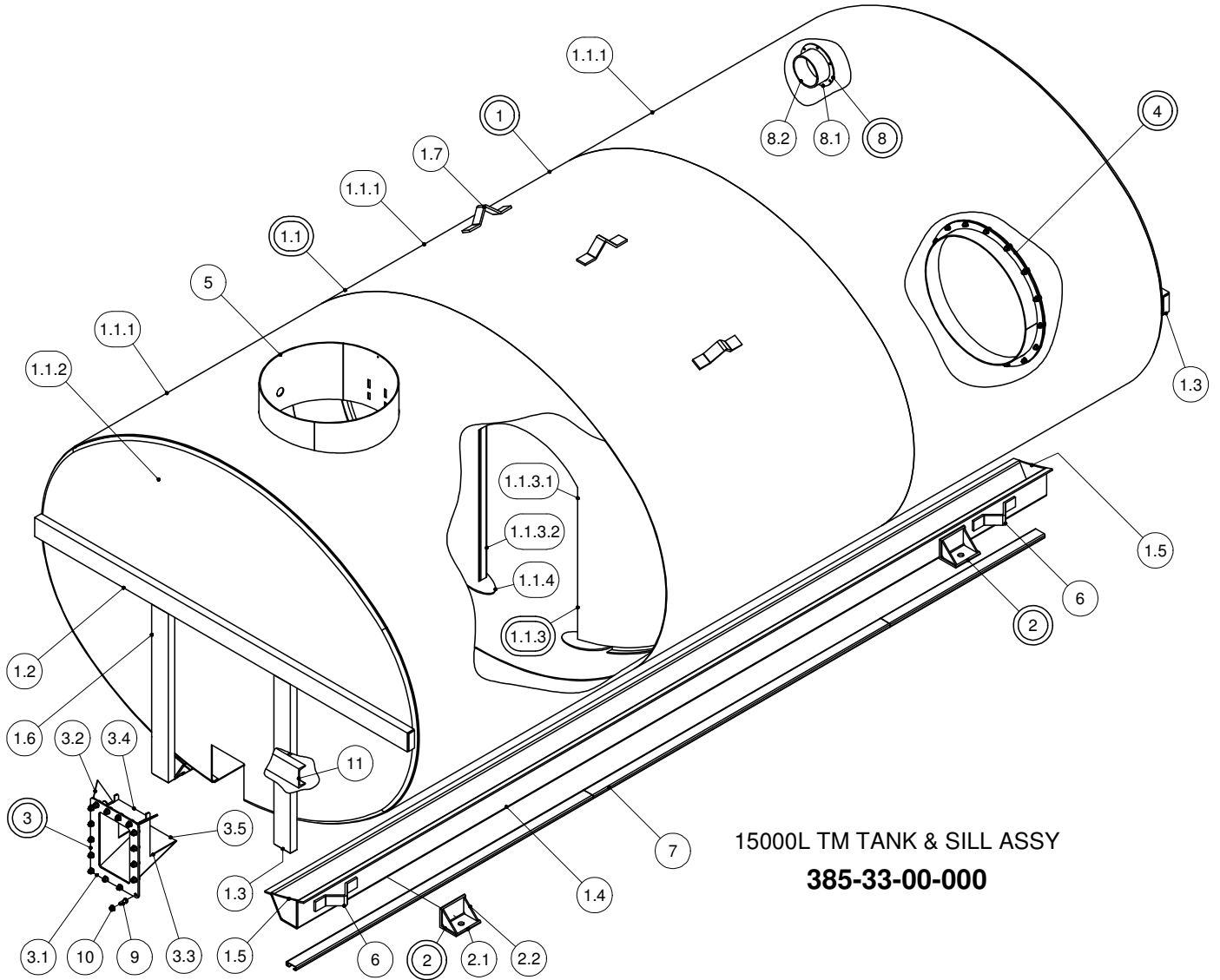
15000L T.M. COMPLETE
385-00-00-000



PARTS LIST				PARTS LIST			
ITEM	PART NUMBER	DESCRIPTION	QTY	ITEM	PART NUMBER	DESCRIPTION	QTY
1	385-33-00-000	15000L TME TANK - 68X91 PROFILE	1	14	R09510	"HUSKY" DECAL	2
2	364-23-01-000	540 FAN & HOUSING KIT	1	15	R09511	ACCENT STRIP	2
3	332-28-00-000	FENDER KIT w/o LIGHTS - 8'6" O/A	1	16	372-00-00-045	STICKER PLATE	1
4	384-02-00-000	HYDRAULIC DRIVE KIT-TRUCK MOUNT	1	17	372-00-00-046	STICKER PLATE BRKT	2
5	357-63-00-000	SAFETY BAR ASSY	1	18	R09509	"MADE IN CANADA" DECAL - LARGE	1
6	340-62-00-000	INDICATOR KIT	1	19	R09784	"DANGER TOXIC GAS" DECAL	1
7	364-95-00-000	LADDER ASSY	1	20	R09512	CAPACITY DECAL	1
8	316-24-00-000	HOLD DOWN ASSY	4	21	R09502	"HUSKY" DECAL	1
8.1	316-24-00-044	BRKT MAIN PC	1	22	R10483	RUBBER T-STRIP	4
8.2	316-24-00-045	SPACER BAR	1	23	384-05-00-000	6" REAR DISCHARGE KIT	1
8.3	316-24-00-046	HOLD DOWN RETURN	1	24	330-00-00-559	ACCESS TUBE COVER PLATE	1
8.4	316-24-00-047	GUSSET	2	25	R07619	3/8 x 1 UNC HEX BOLT	6
9	R07828	1" FLAT WASHER	2	26	R07803	3/8" LOCK WASHER	6
10	R08246	1 UNC NYLOCK NUT	4	27	R07783	3/8-16 UNC HEX NUT	6
11	R07669	1 x 8 UNC HEX BOLT	2	28	R09071	SERIAL NUMBER PLATE	1
12	R07663	1 x 3 UNC HEX BOLT	2	29	R08152	6 x 1/4 PAN HD SOCKET SCREW	2
13	R08034	HP 88 1 x 4 SPRING	2				

NOT SHOWN IN DWG - LOCATED AT FRONT LH SIDE OF SILL

15000L TRUCK MOUNT TANK ASSY

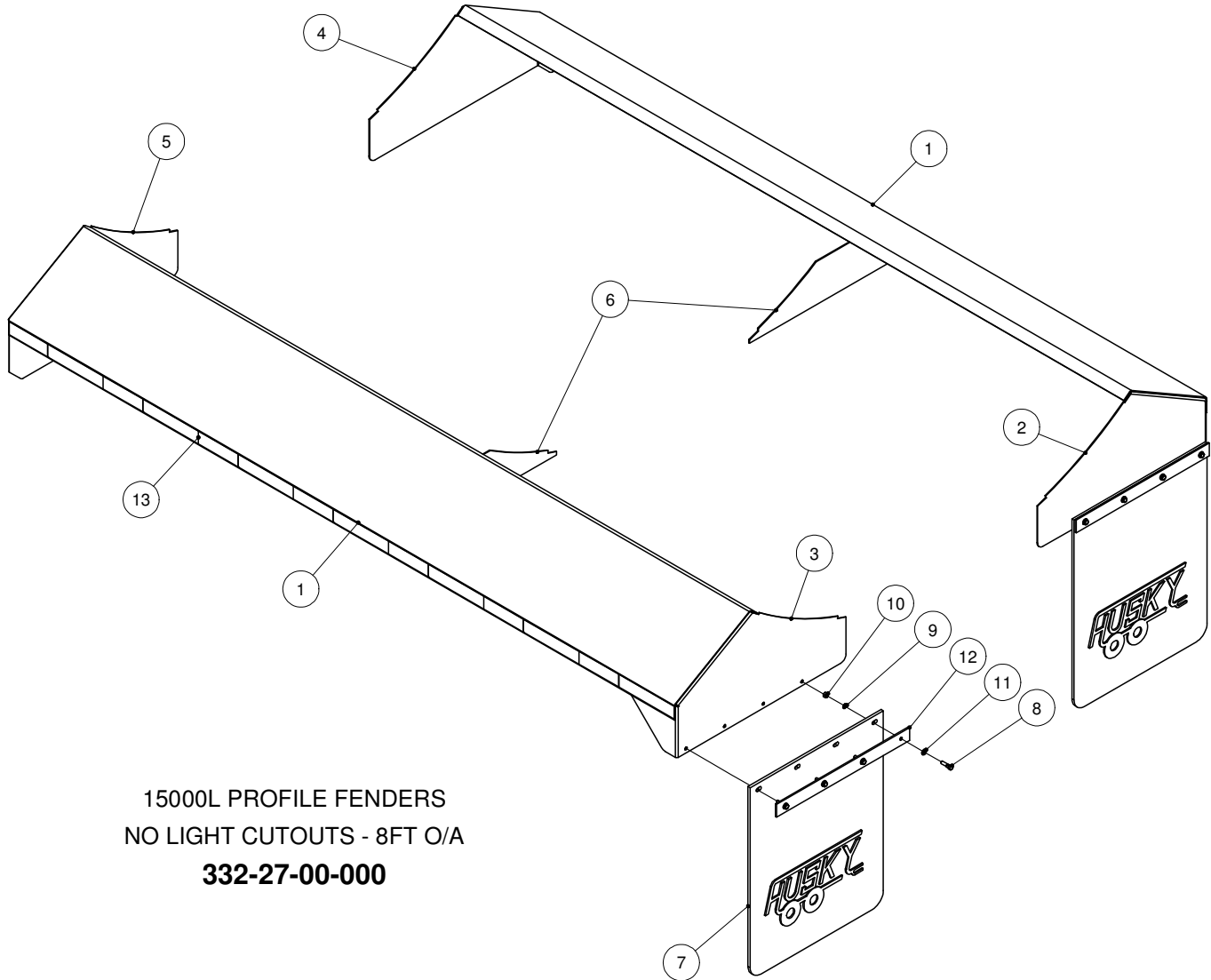


15000L TM TANK & SILL ASSY
385-33-00-000

PARTS LIST				PARTS LIST			
ITEM	PART NUMBER	DESCRIPTION	QTY	ITEM	PART NUMBER	DESCRIPTION	QTY
1	385-33-01-000	TANK & SILL ASSY-68 X 91 PROFILE	1	3	364-82-00-000	FLANGED TANK OUTLET	1
1.1	359-25-02-000	15000L TANK W/ BAFFLE ASSY	1	3.1	364-81-02-393	HOUSING FLANGE	1
1.1.1	359-25-02-605	15000L TANK SHELL-68 X 91 PROFILE	3	3.2	364-82-00-395	LH OUTLET SIDE PC	1
1.1.2	359-25-02-604	15000L TANK END-68 X 91" PROFILE	2	3.3	364-82-00-396	RH OUTLET SIDE PC	1
1.1.3	359-25-03-000	BAFFLE ASSY-68 X 91 PROFILE	1	3.4	364-01-03-104	OUTLET TOP PC	1
1.1.3.1	359-25-03-606	15000L BAFFLE-68 X 91" PROFILE	1	3.5	364-01-03-105	OUTLET BOTTOM PC	1
1.1.3.2	359-25-03-607	15000L BAFFLE SUPPORT TUBE	2	4	384-40-00-000	ACCESS HOLE & COVER PLATE KIT	1
1.1.4	340-01-01-559	OVAL REINFORCING PLATE	2	5	364-02-00-006	24" MANHOLE	1
1.2	359-25-01-608	TANK END STIFFENER	2	6	300-01-00-012	TANK LIFT HOOK	4
1.3	330-66-00-258	STIFFENER END CAP	8	7	R10482	RUBBER MOUNTING SILL CHANNEL	6
1.4	333-26-00-049	15000L TRUCK MOUNT SILL	2	8	330-20-03-000	ACCESS TUBE ASSY	1
1.5	332-11-00-026	SILL CAP	4	8.1	330-20-03-560	ACCESS TUBE FLANGE	1
1.6	385-33-01-567	VERTICAL REINFORCING CHANNEL	4	8.2	330-20-03-556	ACCESS TUBE	1
1.7	300-01-00-012	TANK LIFT HOOK	3	9	R07674	1/2 x 1 1/4 UNC HEX BOLT	16
2	316-22-00-000	HOLD DOWN BRKT ASSY	4	10	R07795	1/2-13 UNC FLANGE NUT	16
2.1	316-22-00-012	HOLD DOWN ANGLE BRKTS	1	11	384-01-00-246	INSIDE CROSS SUPPORT CHANNEL	1
2.2	316-22-00-035	HOLD DOWN ANGLE GUSSET	2	12	340-01-00-498	SERIAL NO. BACK PLATE	1

NOT SHOWN IN DWG - LOCATED AT FRONT LH SIDE OF SILL

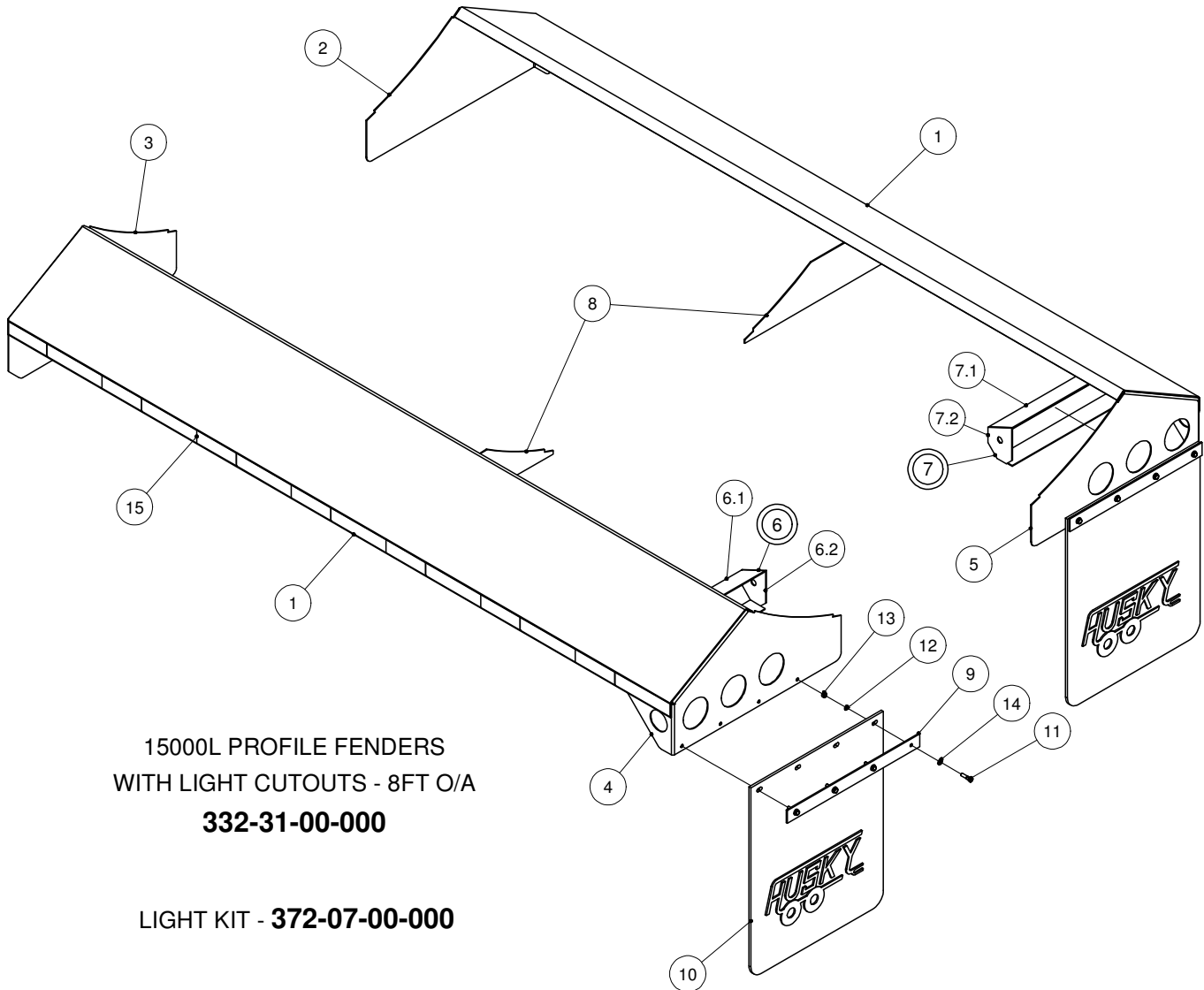
**15000L PROFILE FENDERS
NO LIGHTS - 8FT O/A**



15000L PROFILE FENDERS
NO LIGHT CUTOUTS - 8FT O/A
332-27-00-000

PARTS LIST			
ITEM	PART NUMBER	DESCRIPTION	QTY
1	332-27-00-054	FENDER 14000L PROFILE-96" WIDE	2
2	332-27-00-069	RH REAR FENDER CAP w/o LIGHTS	1
3	332-27-00-070	LH REAR FENDER CAP w/o LIGHTS	1
4	332-27-00-053	RH FRONT FENDER CAP	1
5	332-27-00-056	LH FRONT FENDER CAP	1
6	332-27-00-055	FENDER GUSSET - 14000L 8' WIDE	2
7	R09528	HUSKY MUDFLAP	2
8	R07620	3/8 x 1 1/2 HEX BOLT	8
9	R07803	3/8 LOCK WASHER	8
10	R07783	3/8 HEX NUT	8
11	R07823	3/8 FLAT WASHER	8
12	332-27-00-083	MUDFLAP CLAMP STRAP	2
13	R10361	REFLECTOR TAPE - RED/SILVER	2

**15000L PROFILE FENDERS
WITH LIGHTS - 8FT O/A**

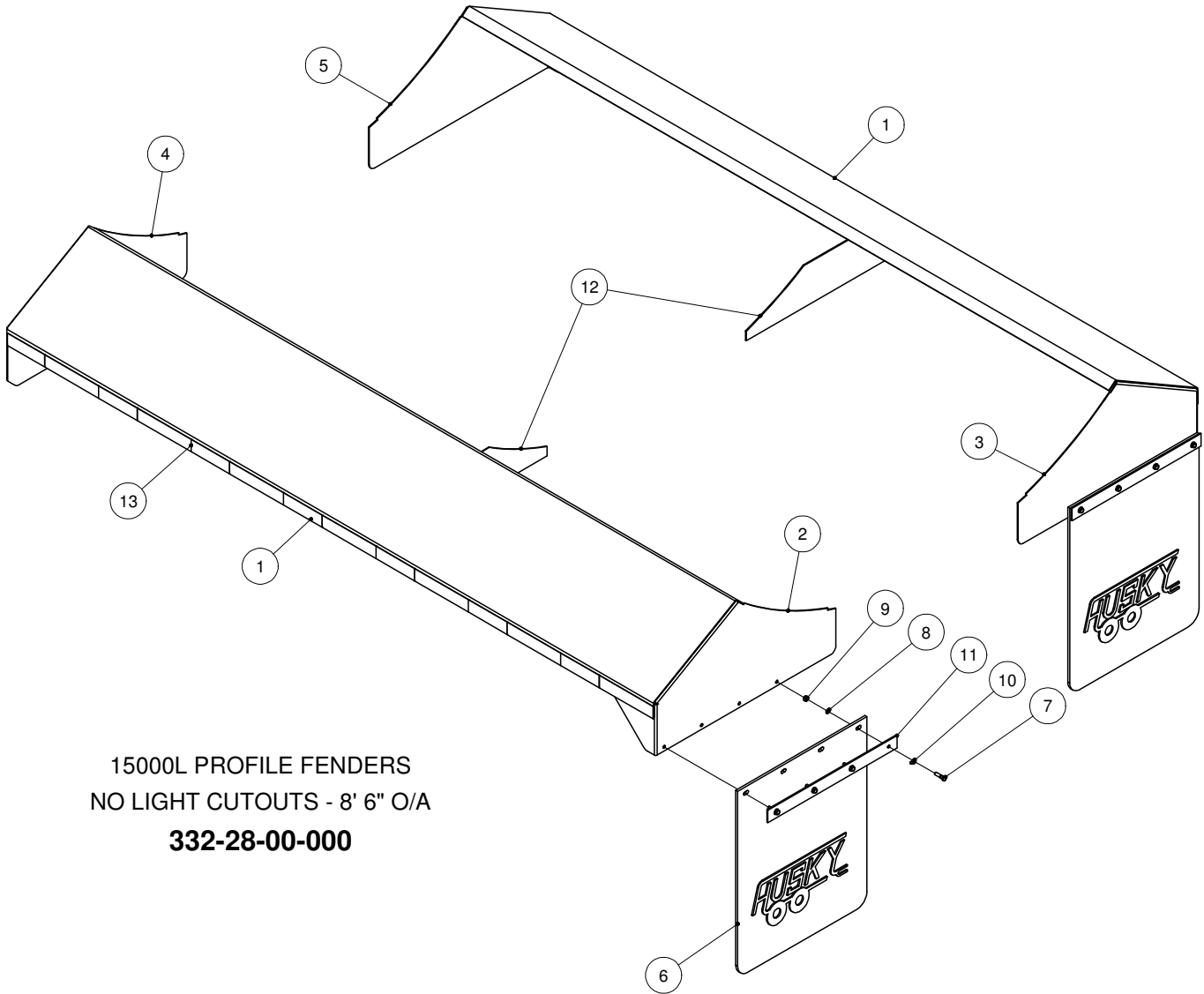


15000L PROFILE FENDERS
WITH LIGHT CUTOUTS - 8FT O/A
332-31-00-000

LIGHT KIT - **372-07-00-000**

PARTS LIST				PARTS LIST			
ITEM	PART NUMBER	DESCRIPTION	QTY	ITEM	PART NUMBER	DESCRIPTION	QTY
1	332-27-00-054	FENDER 14000L PROFILE-96" WIDE	2	7.2	332-33-01-080	INNER LIGHT COVER END CAP	1
2	332-27-00-053	RH FRONT FENDER CAP	1	8	332-27-00-055	FENDER GUSSET - 14000L 8' WIDE	2
3	332-27-00-056	LH FRONT FENDER CAP	1	9	332-27-00-083	MUDFLAP CLAMP STRAP	2
4	332-31-00-072	LH REAR FENDER CAP w/ LIGHTS	1	10	R09528	HUSKY MUDFLAP	2
5	332-31-00-071	RH REAR FENDER CAP w/ LIGHTS	1	11	R07620	3/8 x 1 1/2 HEX BOLT	8
6	332-33-02-000	LH INNER LIGHT COVER ASSY	1	12	R07803	3/8 LOCK WASHER	8
6.1	332-33-01-079	INNER LIGHT COVER	1	13	R07783	3/8 HEX NUT	8
6.2	332-33-01-080	INNER LIGHT COVER END CAP	1	14	R07823	3/8 FLAT WASHER	8
7	332-33-01-000	RH INNER LIGHT COVER ASSY	1	15	R10361	REFLECTOR TAPE - RED/SILVER	2
7.1	332-33-01-079	INNER LIGHT COVER	1				

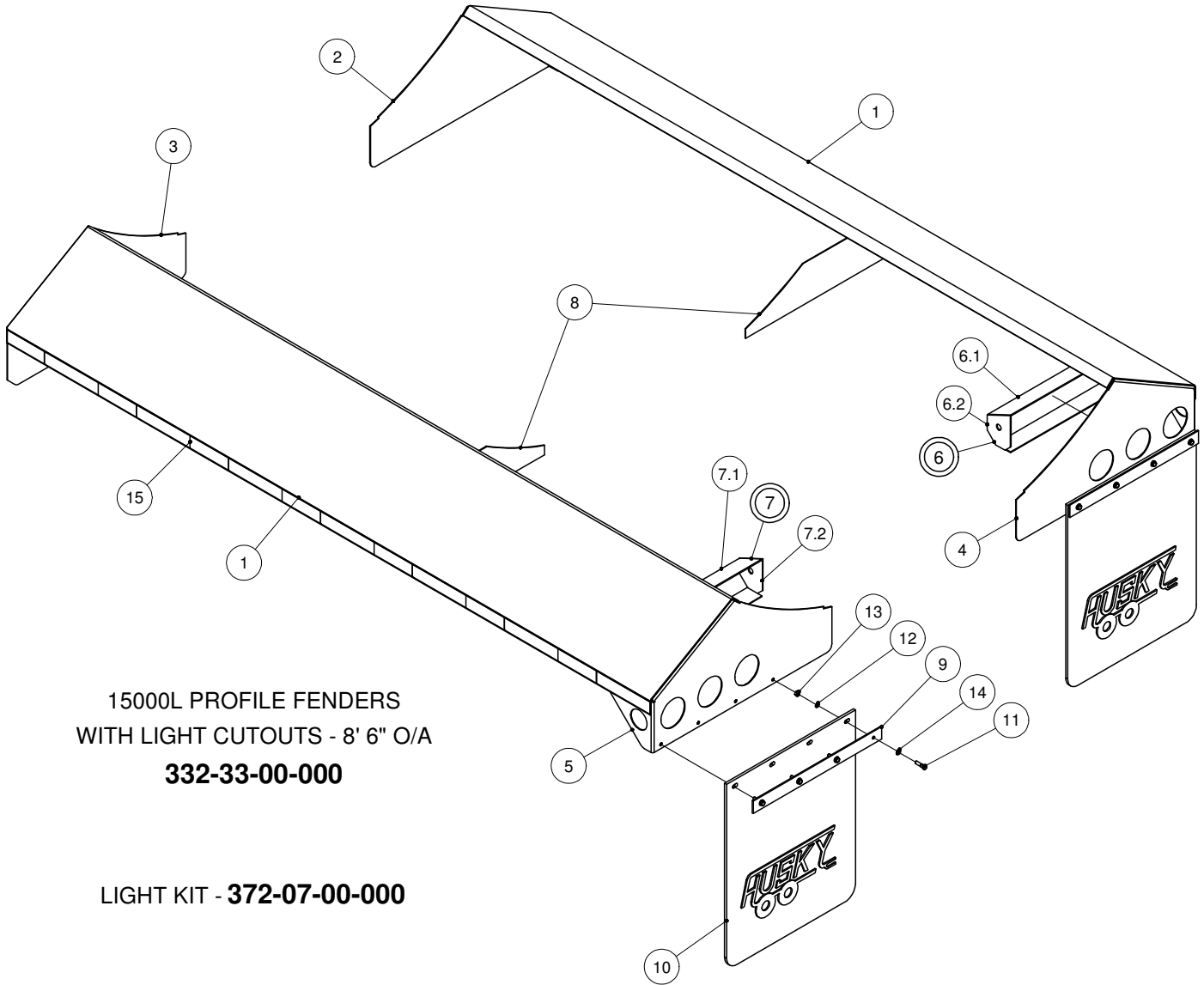
**15000L PROFILE FENDERS
NO LIGHTS - 8' 6" O/A**



15000L PROFILE FENDERS
NO LIGHT CUTOUTS - 8' 6" O/A
332-28-00-000

PARTS LIST			
ITEM	PART NUMBER	DESCRIPTION	QTY
1	332-28-00-060	FENDER 14000L PROFILE - 102" O/A	2
2	332-28-00-057	RH REAR END CAP w/o LIGHTS-8'6" O/A	1
3	332-28-00-058	LH REAR END CAP w/o LIGHTS-8'6" O/A	1
4	332-33-00-085	RH FRONT END CAP - 8'6" O/A	1
5	332-33-00-084	RH FRONT END CAP - 8'6" O/A	1
6	R09528	HUSKY MUDFLAP	2
7	R07620	3/8 x 1 1/2 HEX BOLT	8
8	R07803	3/8 LOCK WASHER	8
9	R07783	3/8 HEX NUT	8
10	R07823	3/8 FLAT WASHER	8
11	332-27-00-083	MUDFLAP CLAMP STRAP	2
12	332-28-00-059	14000L FENDER GUSSET - 8'6" O/A	2
13	R10361	REFLECTOR TAPE - RED/SILVER	2

**15000L PROFILE FENDERS
WITH LIGHTS - 8' 6" O/A**

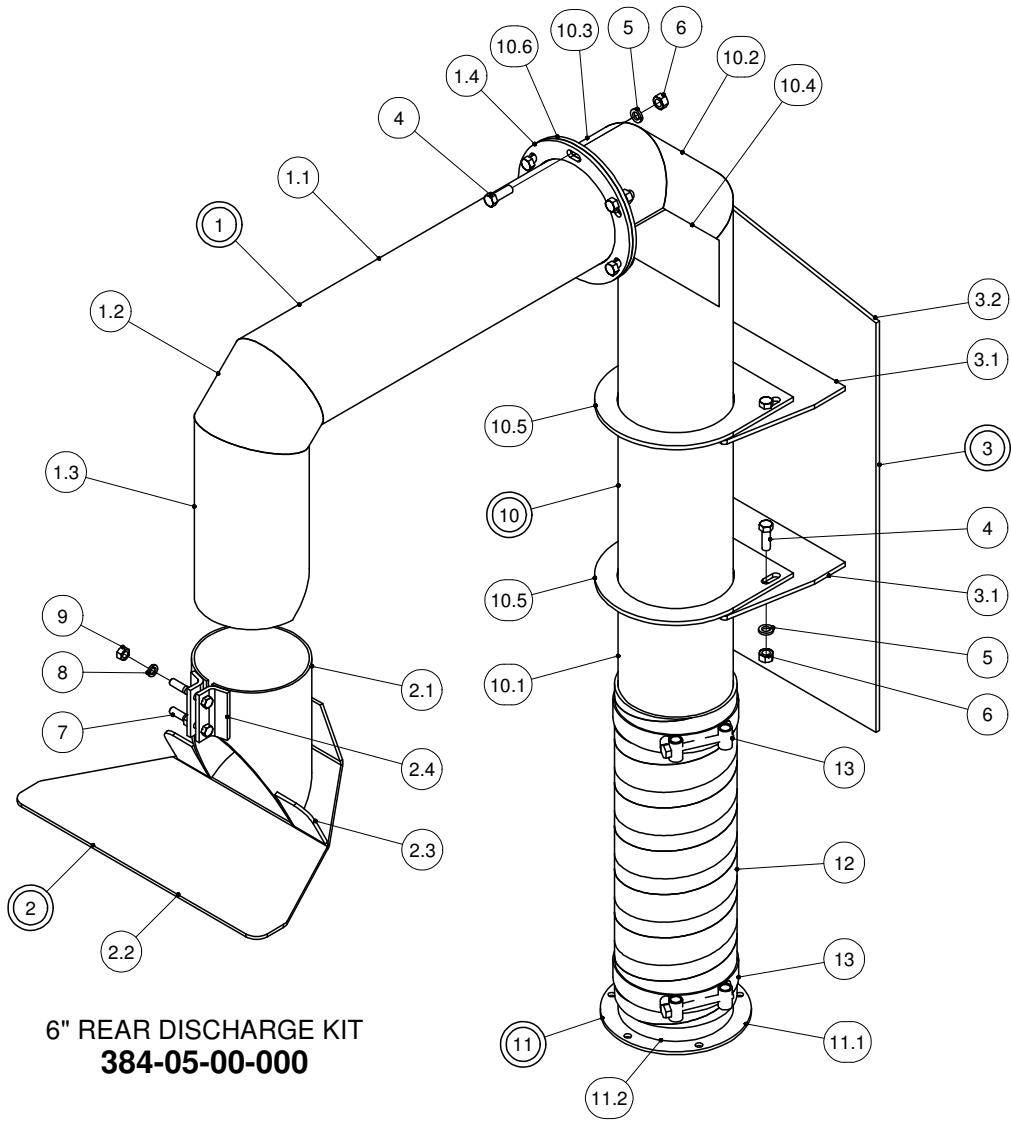


15000L PROFILE FENDERS
WITH LIGHT CUTOUTS - 8' 6" O/A
332-33-00-000

LIGHT KIT - **372-07-00-000**

PARTS LIST				PARTS LIST			
ITEM	PART NUMBER	DESCRIPTION	QTY	ITEM	PART NUMBER	DESCRIPTION	QTY
1	332-28-00-060	FENDER 14000L PROFILE - 102" O/A	2	7.2	332-33-01-080	INNER LIGHT COVER END CAP	1
2	332-33-00-084	RH FRONT END CAP - 8'6" O/A	1	8	332-28-00-059	14000L FENDER GUSSET - 8'6" O/A	2
3	332-33-00-085	RH FRONT END CAP - 8'6" O/A	1	9	332-27-00-083	MUDFLAP CLAMP STRAP	2
4	332-33-00-078	RH REAR END CAP w/ LIGHTS-8'6" O/A	1	10	R09528	HUSKY MUDFLAP	2
5	332-33-00-081	LH REAR END CAP w/ LIGHTS-8'6" O/A	1	11	R07620	3/8 x 1 1/2 HEX BOLT	8
6	332-33-01-000	RH INNER LIGHT COVER ASSY	1	12	R07803	3/8 LOCK WASHER	8
6.1	332-33-01-079	INNER LIGHT COVER	1	13	R07783	3/8 HEX NUT	8
6.2	332-33-01-080	INNER LIGHT COVER END CAP	1	14	R07823	3/8 FLAT WASHER	8
7	332-33-02-000	LH INNER LIGHT COVER ASSY	1	15	R10361	REFLECTOR TAPE - RED/SILVER	2
7.1	332-33-01-079	INNER LIGHT COVER	1				

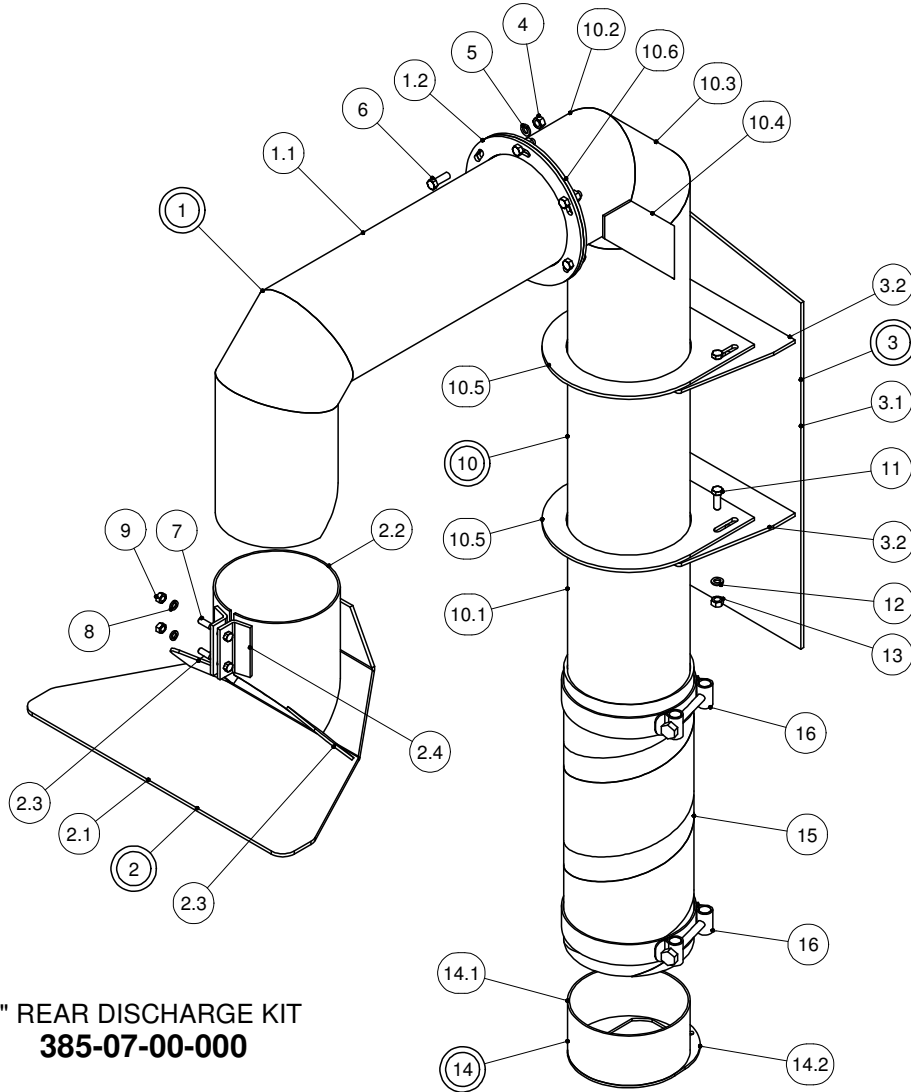
6in REAR DISCHARGE KIT



6" REAR DISCHARGE KIT
384-05-00-000

PARTS LIST				PARTS LIST			
ITEM	PART NUMBER	DESCRIPTION	QTY	ITEM	PART NUMBER	DESCRIPTION	QTY
1	364-25-00-000	DISCHARGE PIPE END SECTION ASSY	1	7	R07622	3/8 x 2 1/2 HEX BOLT	2
1.1	364-25-00-088	DISCHARGE PIPE FLANGE PC	1	8	R07803	3/8 LOCK WASHER	2
1.2	364-19-00-082	DISCHARGE PIPE CORNER PC	1	9	R07783	3/8 HEX NUT	2
1.3	364-25-00-067	DISCHARGE PIPE END PC	1	10	384-06-02-000	VERTICAL DISCHARGE PIPE ASSY	1
1.4	364-19-00-087	DISCHARGE PIPE FLANGE	1	10.1	384-06-02-037	VERTICAL DISCHARGE TUBE	1
2	364-68-00-000	SPLASH PLATE ASSY	1	10.2	384-05-02-028	PIPE CORNER PC	1
2.1	364-68-00-215	CLAMPING TUBE	1	10.3	384-05-02-029	PIPE END PC	1
2.2	364-21-00-069	SPLASH PLATE	1	10.4	384-05-02-097	GUSSET	2
2.3	364-21-00-224	SPLASH PLATE WING	2	10.5	384-05-02-069	TUBE ATTACHMENT BRKT	2
2.4	364-21-00-071	CLAMPING TUBE BRKT	2	10.6	364-19-00-087	DISCHARGE PIPE FLANGE	1
3	384-05-03-000	DISCHARGE SUPPORT ASSY - 6" PIPE	1	11	364-31-00-000	HOSE TUBE ASSY - 6"	1
3.1	384-05-03-070	TANK BRKT	2	11.1	364-01-03-376	DISCHARGE RING	1
3.2	385-05-04-144	PIPE HOLDER BACK PLATE	1	11.2	364-01-03-063	DISCHARGE TUBE	1
4	R07671	7/16 x 1 1/4 HEX BOLT	10	12	364-00-00-066	HOSE SECTION	1
5	R07804	7/16 LOCK WASHER	10	13	R02482	6" HOSE CLAMP	2
6	R07784	7/16 HEX NUT	10				

8in REAR DISCHARGE KIT



**8" REAR DISCHARGE KIT
385-07-00-000**

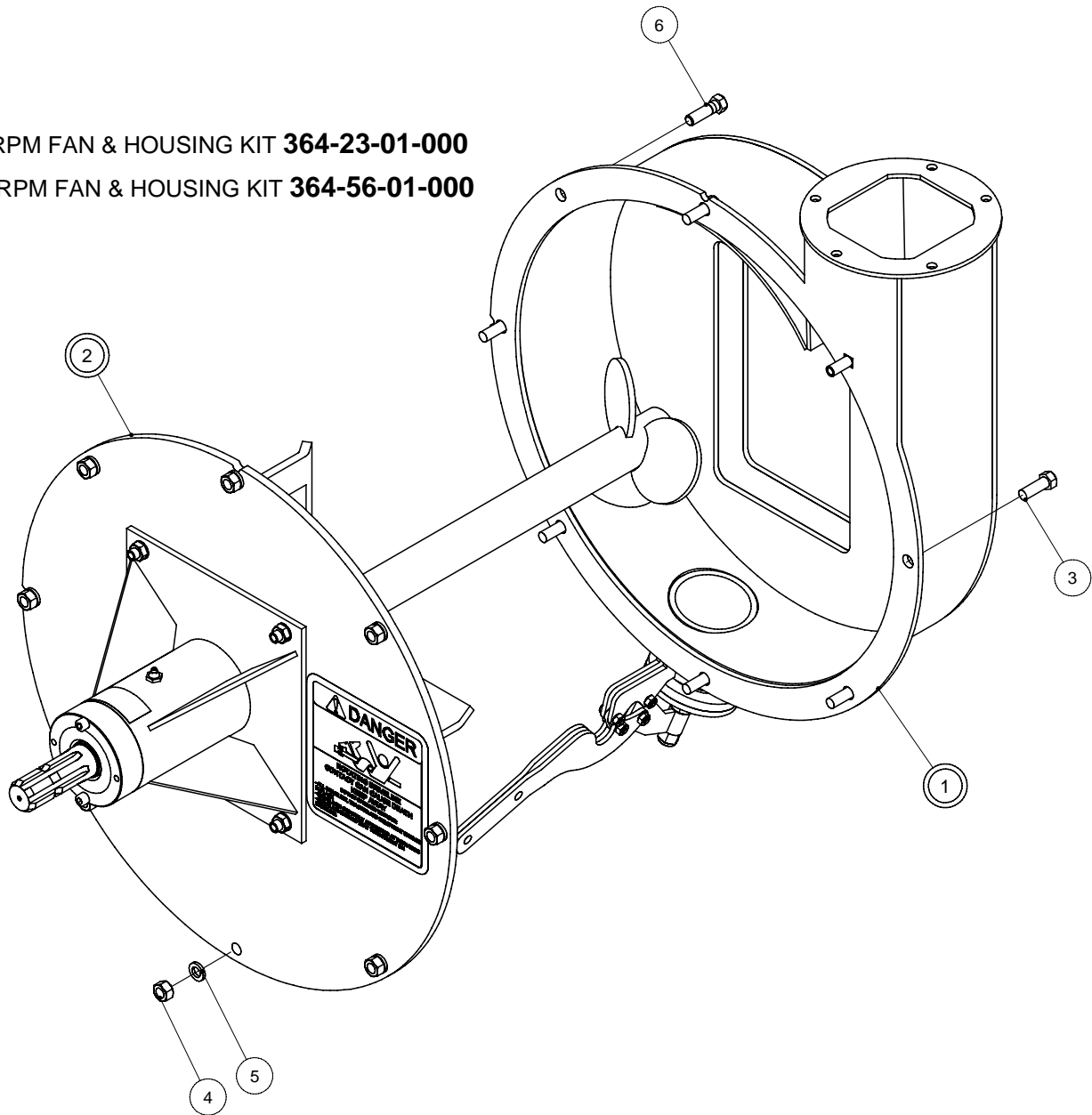
PARTS LIST				PARTS LIST			
ITEM	PART NUMBER	DESCRIPTION	QTY	ITEM	PART NUMBER	DESCRIPTION	QTY
1	358-92-03-000	8" EXTENSION PIPE ASSY	1	9	R07783	3/8 HEX NUT	2
1.1	358-92-03-307	8" EXTENSION PIPE	1	10	385-05-09-000	8" VERTICAL DISCHARGE PIPE ASSY	1
1.2	358-92-02-306	8" DISCHARGE FLANGE	1	10.1	385-05-09-145	8" VERTICAL DISCHARGE TUBE	1
2	358-92-04-000	8" SPLASH PLATE ASSY	1	10.2	385-05-09-146	ELBOW END PC	1
2.1	358-92-04-308	8" SPLASH PLATE	1	10.3	385-05-09-147	ELBOW MIDDLE PC	1
2.2	358-92-04-309	8" SPLASH PLATE TUBE	1	10.4	384-05-02-097	GUSSET	2
2.3	358-92-04-310	WING FOR 8" SPLASH PLATE	2	10.5	357-47-01-227	8" PIPE MOUNT BRKT	2
2.4	358-92-04-311	CLAMPING TUBE BRKT	2	10.6	358-92-02-306	8" DISCHARGE FLANGE	1
3	385-05-04-000	8" VERTICAL DISCHARGE PIPE HOLDER ASSY	1	11	R07671	7/16 x 1 1/4 UNC HEX BOLT	4
3.1	385-05-04-144	PIPE HOLDER BACK PLATE	1	12	R07804	7/16" LOCK WASHER	4
3.2	357-47-00-226	8" TANK MOUNT BRKT	2	13	R07784	7/16-14 UNC HEX NUT	4
4	R07784	7/16 HEX NUT	6	14	358-92-01-000	8" HOUSING RING & TUBE ASSY	1
5	R07804	7/16 LOCK WASHER	6	14.1	358-92-01-302	8" HOUSING OUTLET TUBE	1
6	R07671	7/16 x 1 1/4 HEX BOLT	6	14.2	358-92-01-301	8" HOUSING DISCHARGE RING	1
7	R07622	3/8 x 2 1/2 HEX BOLT	2	15	358-92-00-329	8" DISCHARGE HOSE	1
8	R07803	3/8 LOCK WASHER	2	16	R02484	8" SUCTION HOSE CLAMP	2

This Page is Intentionally Left Blank

TRUCKMOUNT FAN & HOUSING KIT

540 RPM FAN & HOUSING KIT 364-23-01-000

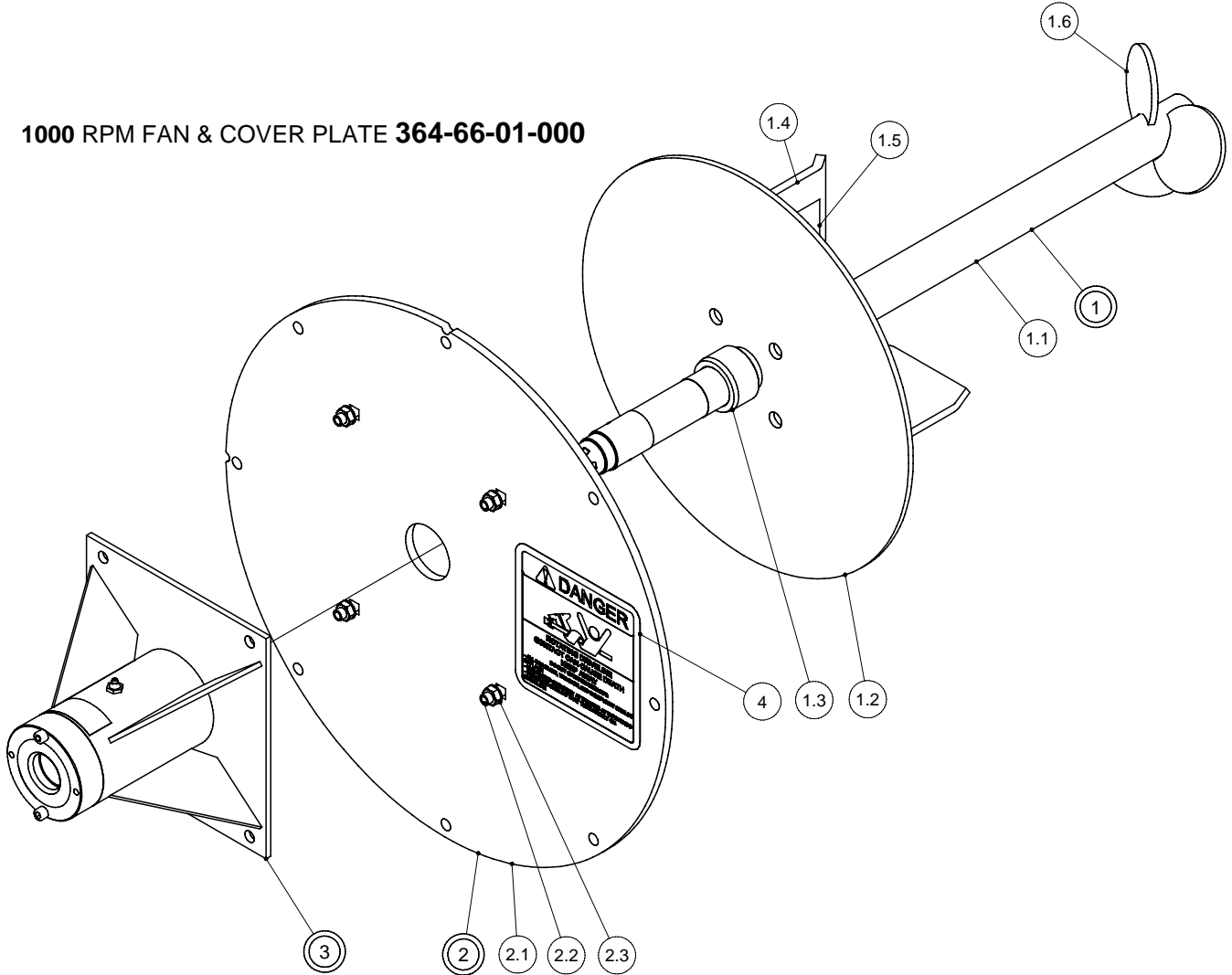
1000 RPM FAN & HOUSING KIT 364-56-01-000



PARTS LIST			
ITEM	PART NUMBER	DESCRIPTION	QTY
1	364-81-00-000	FAN HOUSING ASSY COMPLETE	1
2	364-65-01-000	540 RPM FAN & COVER PLATE	1
	364-66-01-000	1000 RPM FAN & COVER PLATE	1
3	R07671	7/16 x 1 1/4 HEX BOLT	6
4	R07784	7/16 HEX NUT	8
5	R07804	7/16 LOCK WASHER	8
6	R07629	7/16 x 1 1/2 HEX BOLT	1

1000 RPM T.M. FAN & COVER PLATE

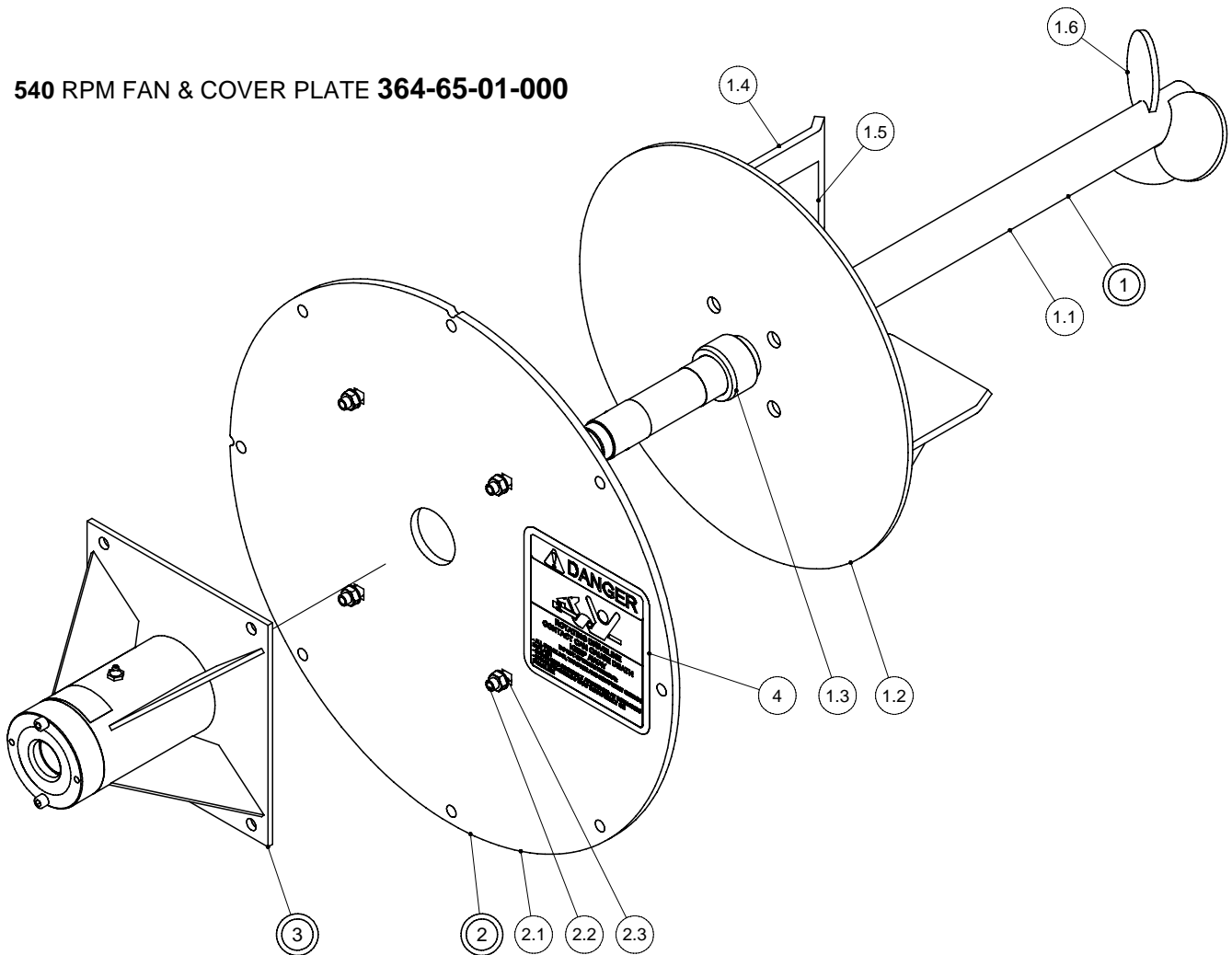
1000 RPM FAN & COVER PLATE 364-66-01-000



PARTS LIST			
ITEM	PART NUMBER	DESCRIPTION	QTY
1	364-73-00-000	1000 RPM SHAFT & IMPELLER ASSY - CHT	1
1.1	364-72-00-226	FAN SHAFT	1
1.2	364-63-00-209	FAN BACK PLATE	1
1.3	R20238	HARDENED SEAL SLEEVE	1
1.4	364-64-00-210	CHT 1000 RPM FAN BLADE	4
1.5	364-72-00-422	FAN BLADE GUSSET	4
1.6	364-72-00-227	AGITATOR BLADE	3
2	364-67-00-000	COVER PLATE ASSY	1
2.1	364-67-00-211	HOUSING COVER PLATE	1
2.2	R07774	7/16 x 1 1/4" GR 5 CARRIAGE BOLT	4
2.3	R07879	7/16 FLANGE NUT	4
3	357-59-00-000	BEARINGS & HOLDER KIT 2002	1
4	R09785	"DANGER ROTATING DRIVELINE" DECAL	1

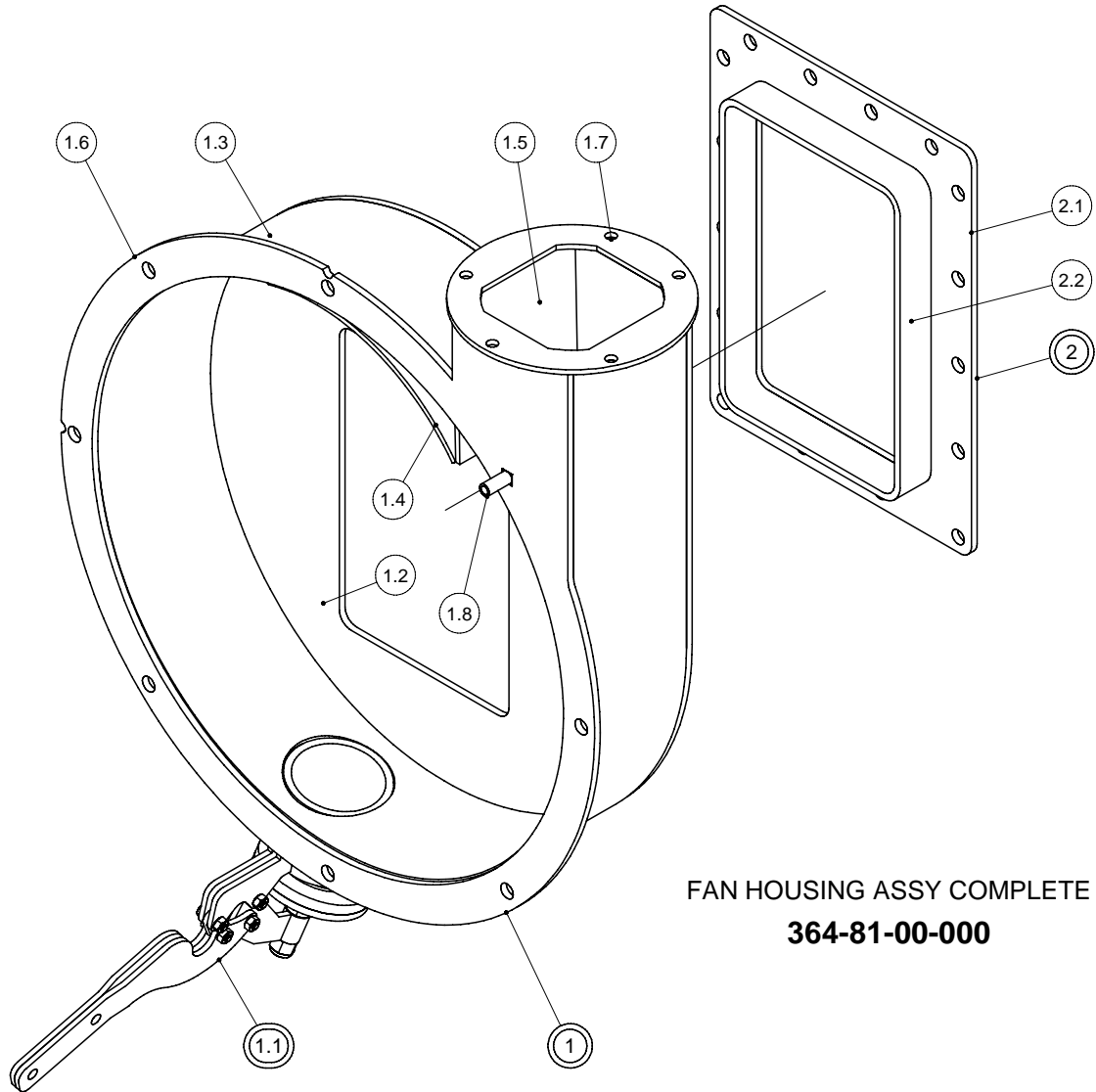
540 RPM T.M. FAN & COVER PLATE

540 RPM FAN & COVER PLATE 364-65-01-000



PARTS LIST			
ITEM	PART NUMBER	DESCRIPTION	QTY
1	364-72-00-000	540 RPM SHAFT & IMPELLER ASSY - CHT	1
1.1	364-72-00-226	FAN SHAFT	1
1.2	364-63-00-209	FAN BACK PLATE	1
1.3	R20238	HARDENED SEAL SLEEVE	1
1.4	364-63-00-208	CHT 540 RPM FAN BLADE	4
1.5	364-72-00-422	FAN BLADE GUSSET	4
1.6	364-72-00-227	AGITATOR BLADE	3
2	364-67-00-000	COVER PLATE ASSY	1
2.1	364-67-00-211	HOUSING COVER PLATE	1
2.2	R07774	7/16 x 1 1/4" GR 5 CARRIAGE BOLT	4
2.3	R07879	7/16 FLANGE NUT	4
3	357-59-00-000	BEARINGS & HOLDER KIT 2002	1
4	R09785	"DANGER ROTATING DRIVELINE" DECAL	1

FAN HOUSING ASSY



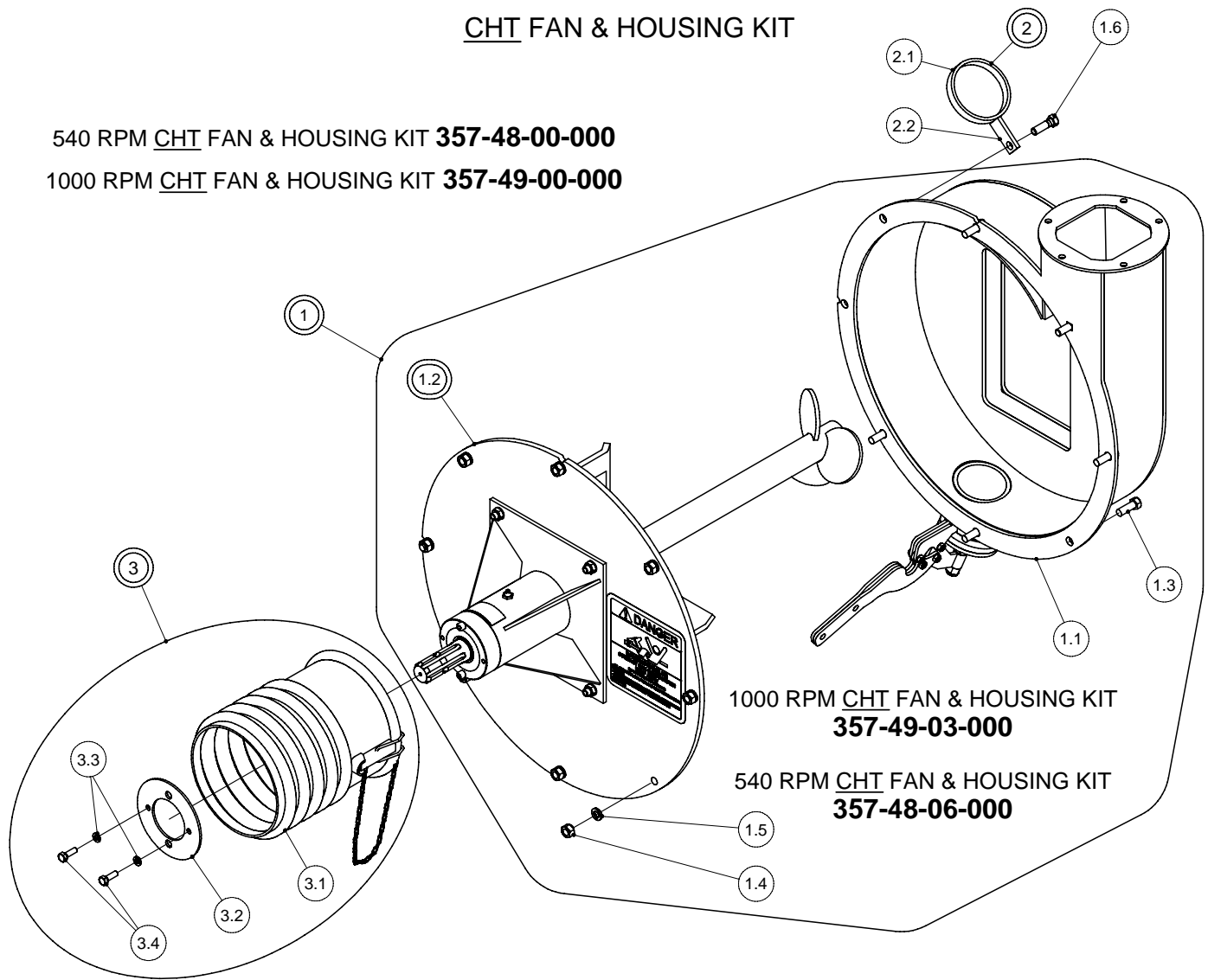
FAN HOUSING ASSY COMPLETE
364-81-00-000

PARTS LIST			
ITEM	PART NUMBER	DESCRIPTION	QTY
1	364-81-01-000	FAN HOUSING ASSY LESS FLANGE	1
1.1	364-62-00-000	DRAIN PLUG KIT	1
1.2	364-01-03-106	HOUSING BACK PLATE	1
1.3	364-01-03-018	HOUSING BAND	1
1.4	364-01-03-156	HOUSING BAND AID	1
1.5	364-01-03-081	FAN HOUSING VERTICAL PC	1
1.6	364-01-03-019	HOUSING FLANGE	1
1.7	364-01-03-376	DISCHARGE RING	1
1.8	R07774	7/16 x 1 1/4" GR 5 CARRIAGE BOLT	1
2	364-81-02-000	HOUSING INLET FLANGE ASSY	1
2.1	364-81-02-393	HOUSING FLANGE	1
2.2	364-81-02-424	INLET EXTENSION TUBE	1

CHT FAN & HOUSING KIT

540 RPM CHT FAN & HOUSING KIT **357-48-00-000**

1000 RPM CHT FAN & HOUSING KIT **357-49-00-000**

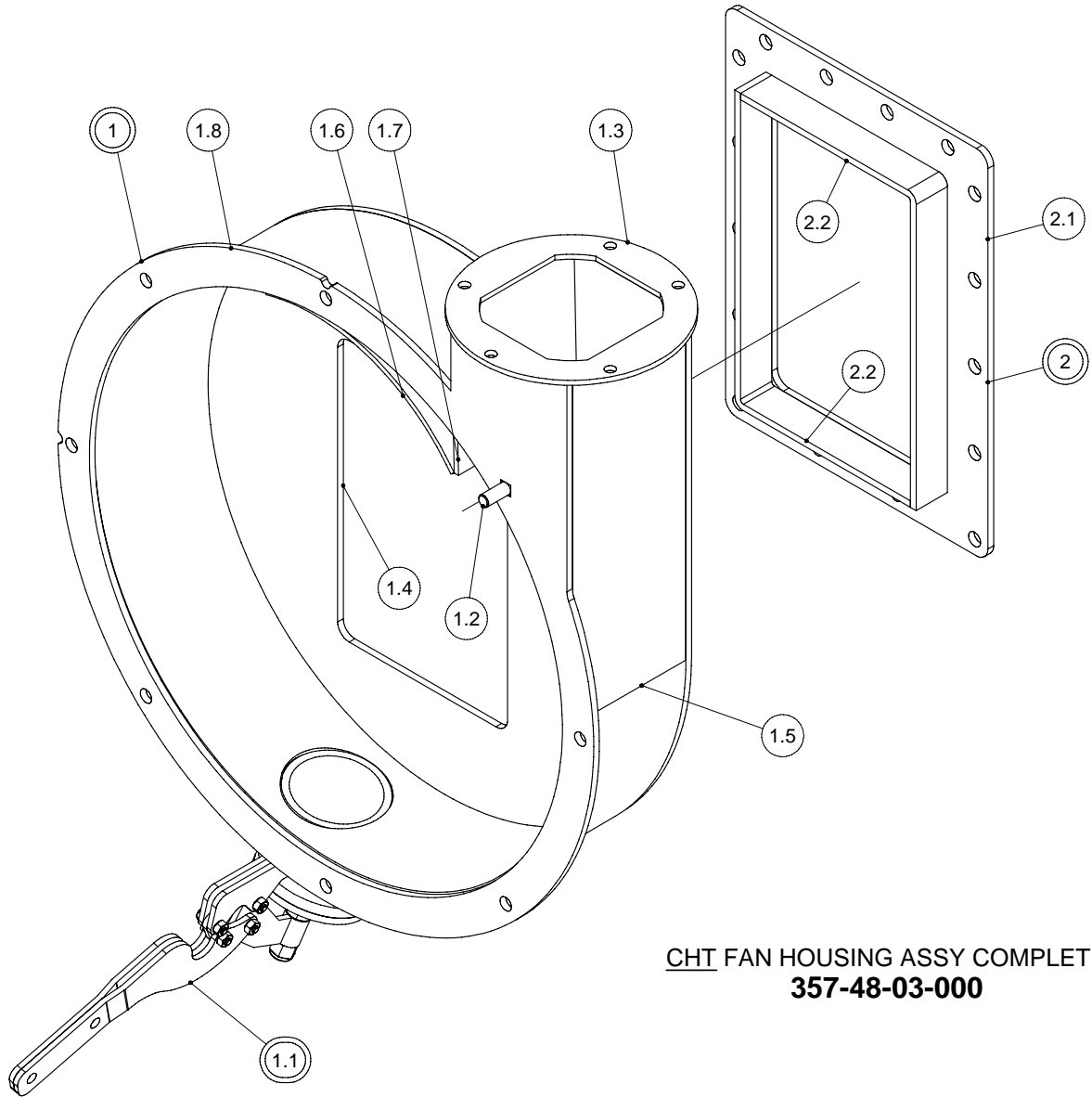


PARTS LIST

ITEM	PART NUMBER	DESCRIPTION	QTY
1	357-49-03-000	CHT 1000 RPM FAN & HOUSING KIT	OPT
1	357-48-06-000	CHT 540 FAN & HOUSING KIT	1
1.1	357-48-03-000	CHT FAN HOUSING ASSY COMPLETE	1
1.2	364-66-01-000	1000 RPM FAN & COVER PALTE	OPT
1.2	364-65-01-000	540 RPM FAN & COVER PLATE	1
1.3	R07671	7/16 x 1 1/4 HEX BOLT	6
1.4	R07784	7/16 HEX NUT	8
1.5	R07804	7/16 LOCK WASHER	8
1.6	R07629	7/16 x 1 1/2 HEX BOLT	1
2	364-41-00-000	PTO HOLDER ASSY	1
2.1	364-41-00-132	PTO HOLDER	1
2.2	364-41-00-133	PTO HOLDER BRACKET	1
3	364-69-00-000	PLASTIC PTO GUARD KIT	1
3.1	R22196	SHEILD CONE ASSY	1
3.2	364-00-00-448	GUARD SUPPORT	1
3.3	R07802	5/16 LOCK WASHER	2
3.4	R07611	5/16 x 1" HEX BOLT	2

OPT = OPTIONAL

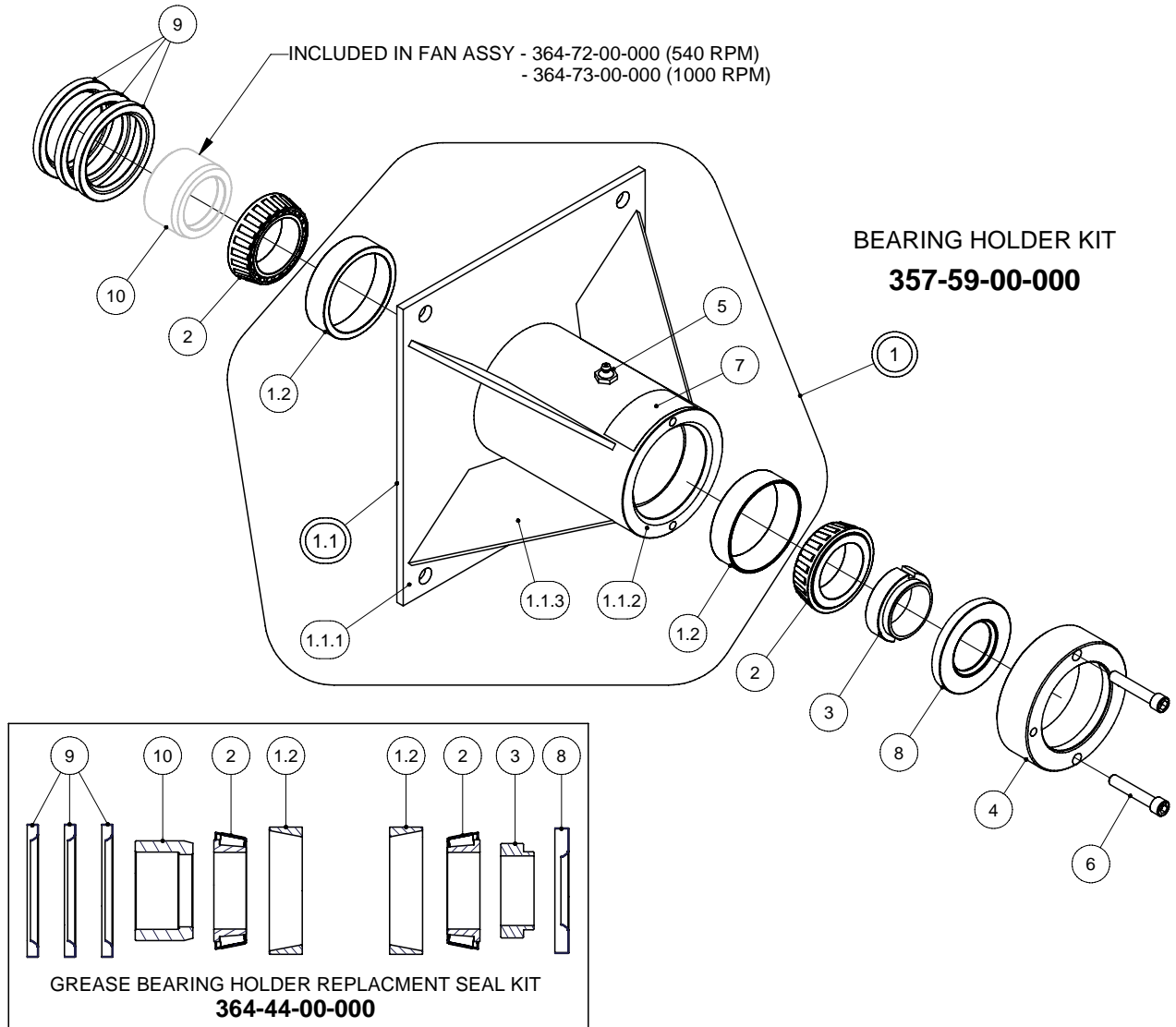
CHT FAN HOUSING ASSY



CHT FAN HOUSING ASSY COMPLETE
357-48-03-000

PARTS LIST			
ITEM	PART NUMBER	DESCRIPTION	QTY
1	357-48-01-000	CHT FAN HOUSING ASSY LESS FLANGE	1
1.1	364-62-00-000	DRAIN PLUG KIT	1
1.2	R07774	7/16 x 1 1/4 UNC CARRIAGE BOLT	1
1.3	364-01-03-376	DISCHARGE RING	1
1.4	357-48-01-228	CHT HOUSING BACK PLATE	1
1.5	357-48-01-232	CHT HOUSING BAND	1
1.6	357-48-01-231	CHT HOUSING BAND AID	1
1.7	357-48-01-230	CHT FAN HOUSING VERTICAL PC	1
1.8	357-48-01-229	CHT HOUSING FLANGE	1
2	357-48-02-000	CHT HOUSING INLET FLANGE ASSY	1
2.1	364-81-02-393	HOUSING FLANGE	1
2.2	357-48-02-233	CHT INLET EXTENSION	2

BEARING HOLDER KIT

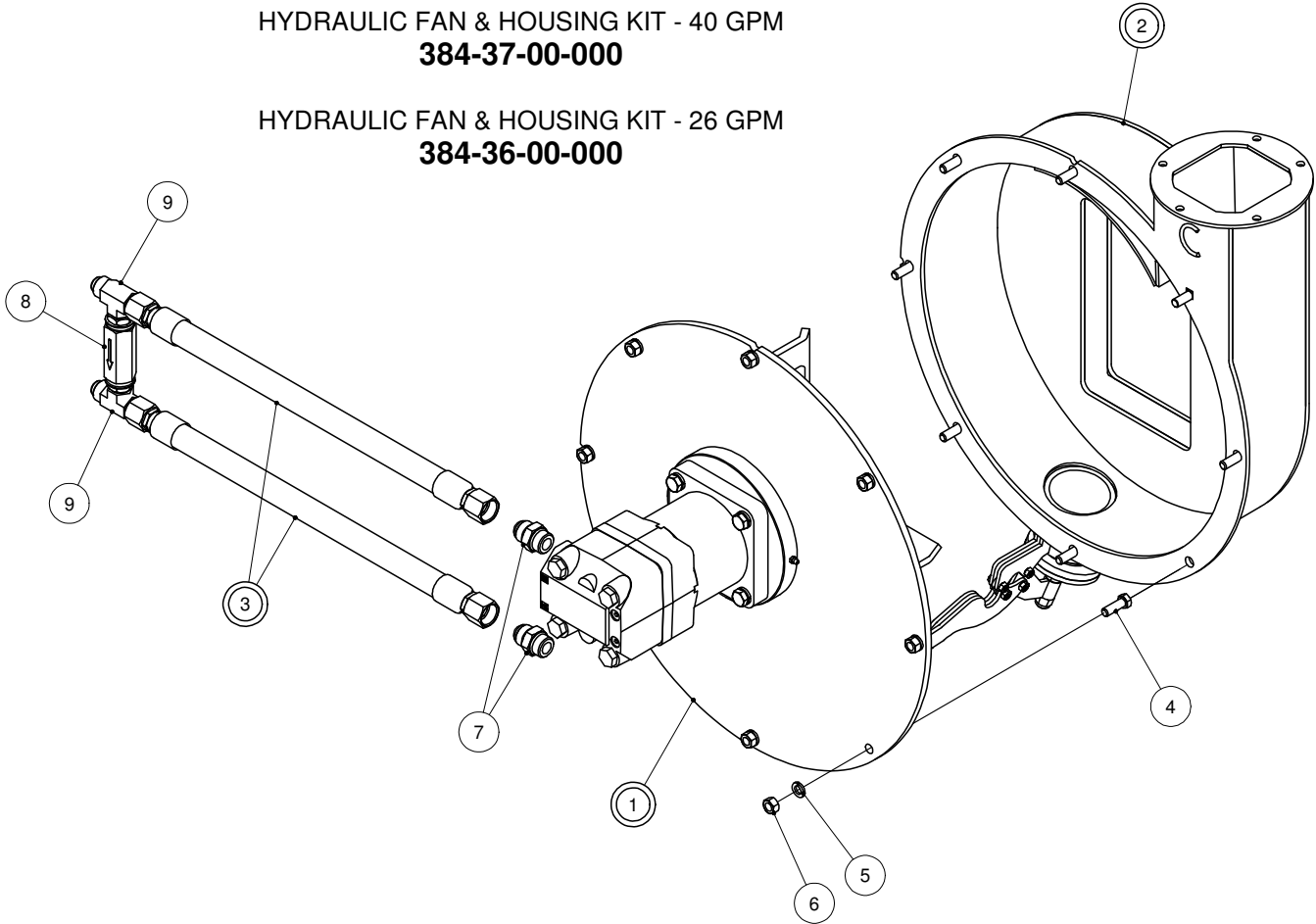


PARTS LIST			
ITEM	PART NUMBER	DESCRIPTION	QTY
1	357-59-01-000	BEARING HOLDER w/ CUPS KIT	1
1.1	357-59-02-000	BEARING BOX ASSY	1
1.1.1	364-61-00-192	SEAL TUBE BACK PLATE	1
1.1.2	364-61-00-191	BEARING TUBE	1
1.1.3	357-59-02-289	BEARING BOX GUSSET	4
1.2	R20113	LM501310 OUTER CUP	2
2	R20115	LM501349 OUTER CONE	2
3	364-00-00-212	STAKE NUT	1
4	364-00-00-332	SEAL TUBE KIT	1
5	R08188	1/4" NPT STRAIGHT GREASE FITTING	1
6	R08175	5/16 - 18 UNC x 1 3/4" CAP SCREW	2
7	R09787	GREASE DECAL	1
8	R21196	SL LIP SEAL 152833TB 1.5"	1
9	R21197	2.25 x 3.005 x .25 SEAL	3
10	R20238	HARDENED SEAL SLEEVE (NOT INCLUDED IN BEARING HOLDER KIT)	1

HYD FAN & HOUSING KIT

HYDRAULIC FAN & HOUSING KIT - 40 GPM
384-37-00-000

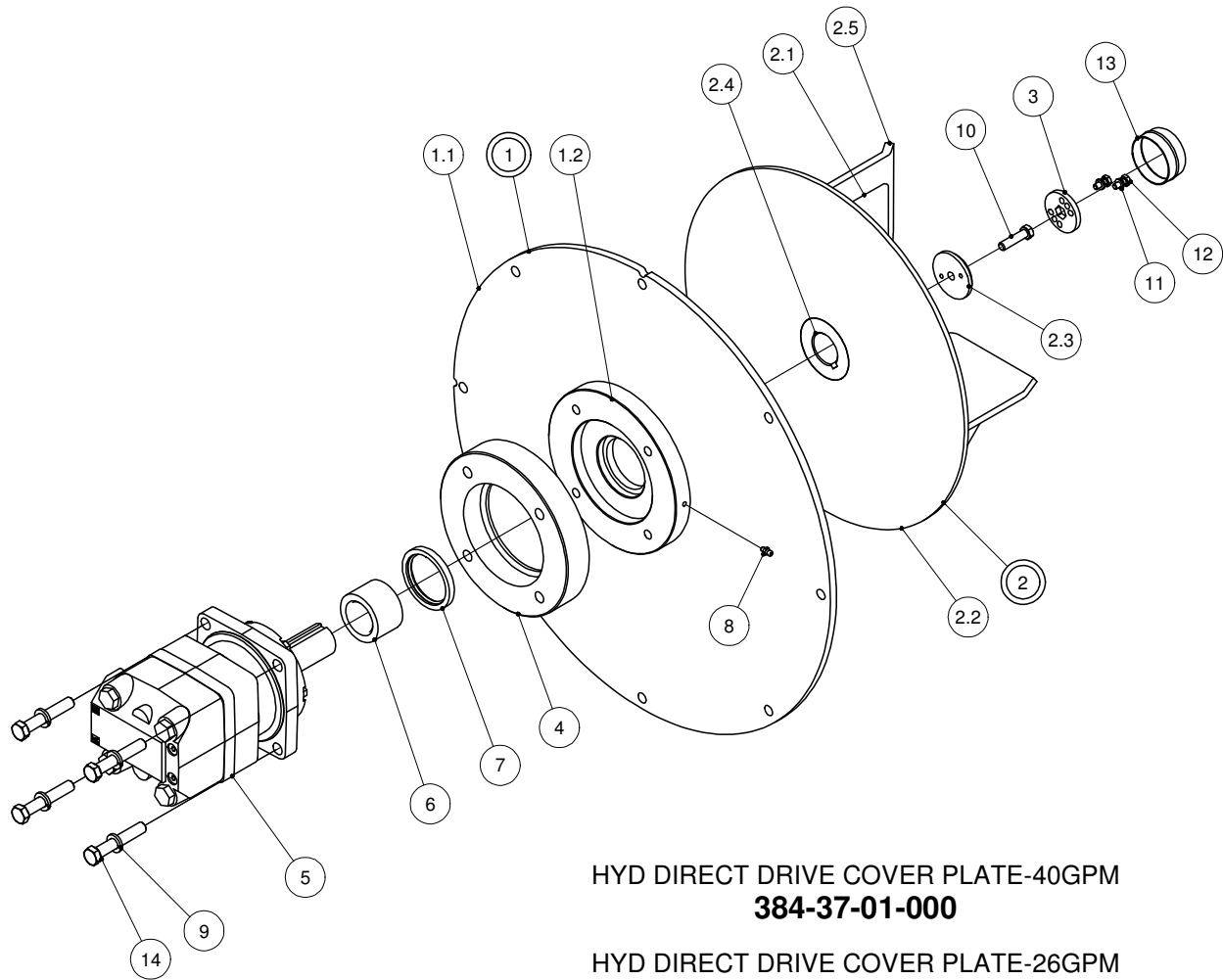
HYDRAULIC FAN & HOUSING KIT - 26 GPM
384-36-00-000



40GPM CHARLYNN MOTOR SHOWN

PARTS LIST			
ITEM	PART NUMBER	DESCRIPTION	QTY
1	384-37-01-000	HOUSING COVER PLATE COMPLETE - 40 GPM	1
	384-36-01-000	HOUSING COVER PLATE COMPLETE - 26 GPM	1
2	357-48-03-000	CHT FAN HOUSING ASSY COMPLETE	1
3	384-35-03-000	3/4" HYDRAULIC HOSE ASSY	2
4	R07671	7/16 x 1 1/4 UNC HEX BOLT	7
5	R07804	7/16" LOCK WASHER	8
6	R07784	7/16-14 UNC HEX NUT	8
7	R23098	ORB-12 x 3/4" JIC M. ADAPTOR	2
8	R23328	ORB-12 IN-LINE CHECK VALVE	1
9	R23066	3/4" X 3/4" JIC X ORB-12 M TEE	2

HYD DRIVE COVER PLATE

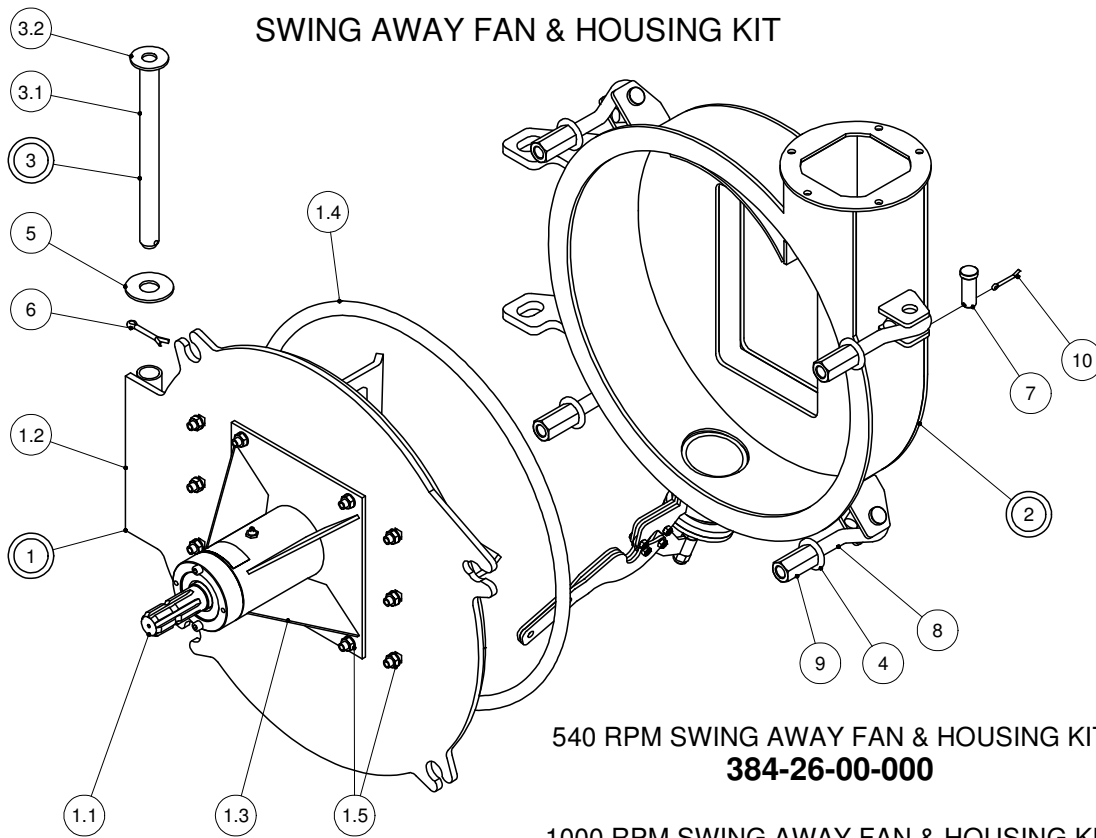


HYD DIRECT DRIVE COVER PLATE-40GPM
384-37-01-000

HYD DIRECT DRIVE COVER PLATE-26GPM
384-36-01-000

PARTS LIST				PARTS LIST			
ITEM	PART NUMBER	DESCRIPTION	QTY	ITEM	PART NUMBER	DESCRIPTION	QTY
1	384-37-02-000	DIRECT DRIVE COVER PLATE ASSY	1	5	R22546	M+S HYD MOTOR - MLHT 160 - 26GPM	1
1.1	384-36-02-432	HOUSING COVER PLATE	1		R22600	CHARLYNN MOTOR 112-1065 - 40GPM	1
1.2	384-33-02-415	SEAL BLOCK	1	6	R22463	HARDENED SEAL SLEEVE-26 GPM MTR	1
2	384-36-03-000	DIRECT DRIVE FAN ASSY	1		R22462	HARDENED SEAL SLEEVE-40 GPM MTR	1
2.1	364-72-00-422	FAN BLADE GUSSET	4	7	R22524	60 x 75 x 8 METRIC SEAL	1
2.2	384-33-03-417	FAN BACK PLATE	1	8	R08183	1/4" - 28 STRAIGHT GREASE FITTING	1
2.3	384-33-03-420	HUB CAP	1	9	R07805	1/2" LOCK WASHER	4
2.4	384-33-03-418	IMPELLER HUB	1	10	R07620	3/8 x 1 1/2 UNC HEX BOLT	1
2.5	565-02-00-012	CHT 540 RPM FAN BLADE	4	11	R07801	1/4" LOCK WASHER	2
3	384-33-01-422	IMPELLER BOLT LOCK PLATE	1	12	R08350	1/4 x 5/8 Hex Bolt	2
4	384-35-01-544	ADAPTER SEAL BLOCK-26 GPM MTR	1	13	R20153	D4 DUST CAP	1
				14	R07641	1/2 x 3 UNC HEX BOLT	4

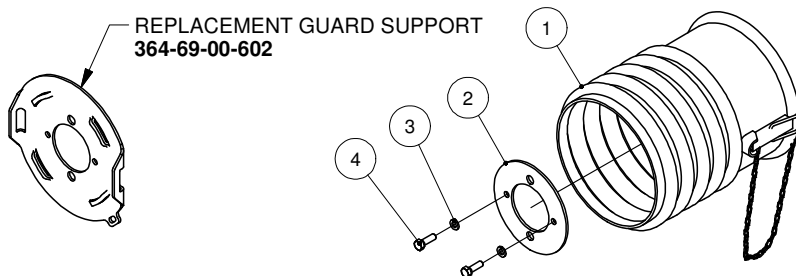
SWING AWAY FAN & HOUSING KIT



**540 RPM SWING AWAY FAN & HOUSING KIT
384-26-00-000**

**1000 RPM SWING AWAY FAN & HOUSING KIT
384-27-00-000**

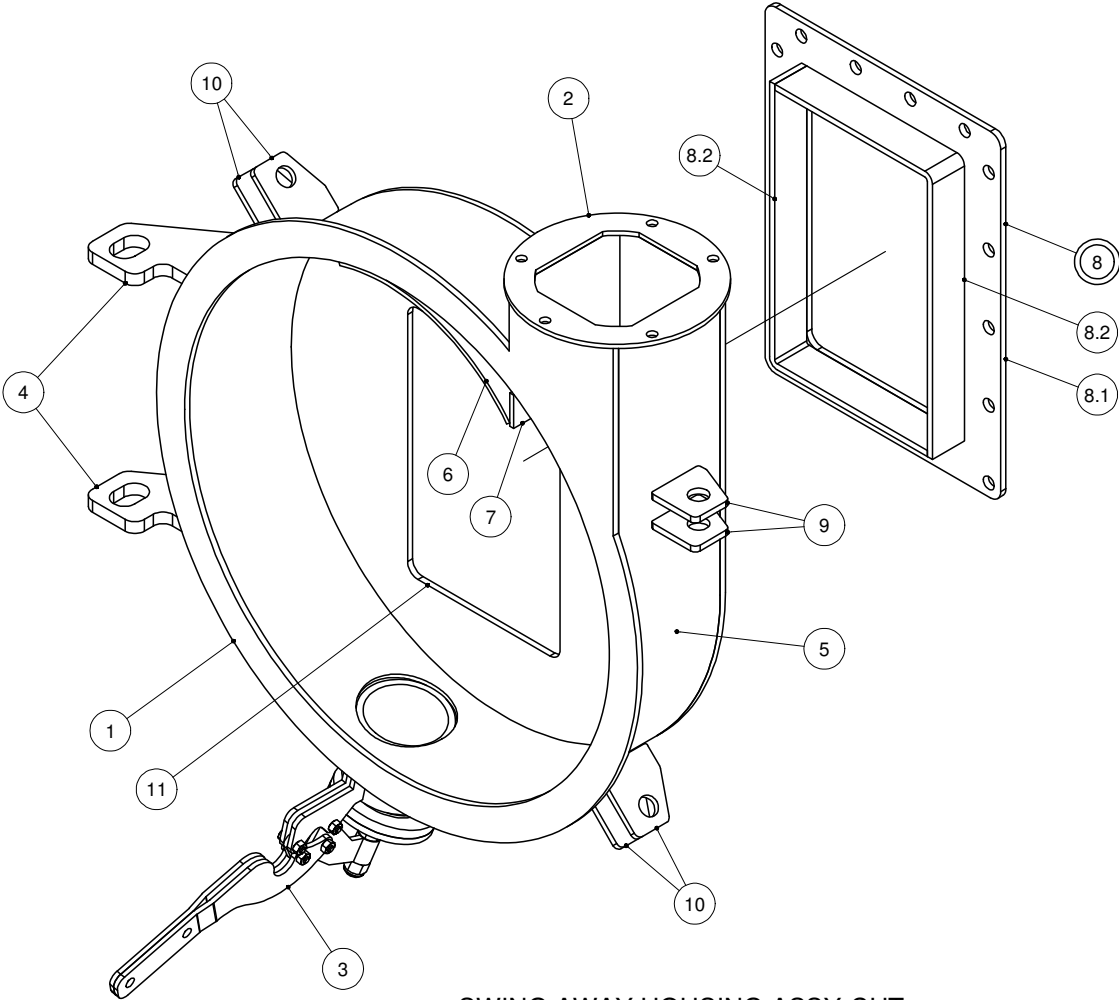
PARTS LIST				PARTS LIST			
ITEM	PART NUMBER	DESCRIPTION	QTY	ITEM	PART NUMBER	DESCRIPTION	QTY
1	384-26-01-000	540rpm S.A. FAN & COVERPLATE-CHT	1	3	376-02-04-000	LID PIN ASSY	1
	384-27-02-000	1000rpm S.A. FAN & COVERPLATE-CHT	1	3.1	376-02-04-508	LID PIN	1
1.1	384-20-05-000	540 RPM SHORT SHAFT & IMPELLER ASSY - CHT	1	3.2	R07827	3/4" FLAT WASHER	1
				4	376-02-00-577	MANWAY WASHER	4
	384-27-01-000	1000 RPM SHORT SHAFT & IMPELLER ASSY - CHT	1	5	R07828	1" FLAT WASHER	1
				6	R08016	1/4 x 2 COTTER PIN	1
1.2	384-20-03-000	HOUSING HATCH ASSY	1	7	R08443	EYE BOLT PIN	4
1.3	357-59-00-000	BEARINGS & HOLDER KIT 2002	1	8	R08442	3/4" EYE BOLT	4
1.4	384-20-00-301	RUBBER SEAL	1	9	R07800	3/4" COUPLING NUT	4
1.5	R07879	7/16 FLANGE NUT	10	10	R08207	5/32 x 1 1/2 S.S. COTTER PIN	4
2	384-20-01-000	HOUSING ASSY-CHT(2007)	1				



**PLASTIC PTO GUARD KIT
364-69-00-000**

PARTS LIST				PARTS LIST			
ITEM	PART NUMBER	DESCRIPTION	QTY	ITEM	PART NUMBER	DESCRIPTION	QTY
1	R22196	SHEILD CONE ASSY	1	3	R07802	5/16 LOCK WASHER	2
2	364-00-00-448	GUARD SUPPORT	1	4	R07611	5/16 x 1" HEX BOLT	2

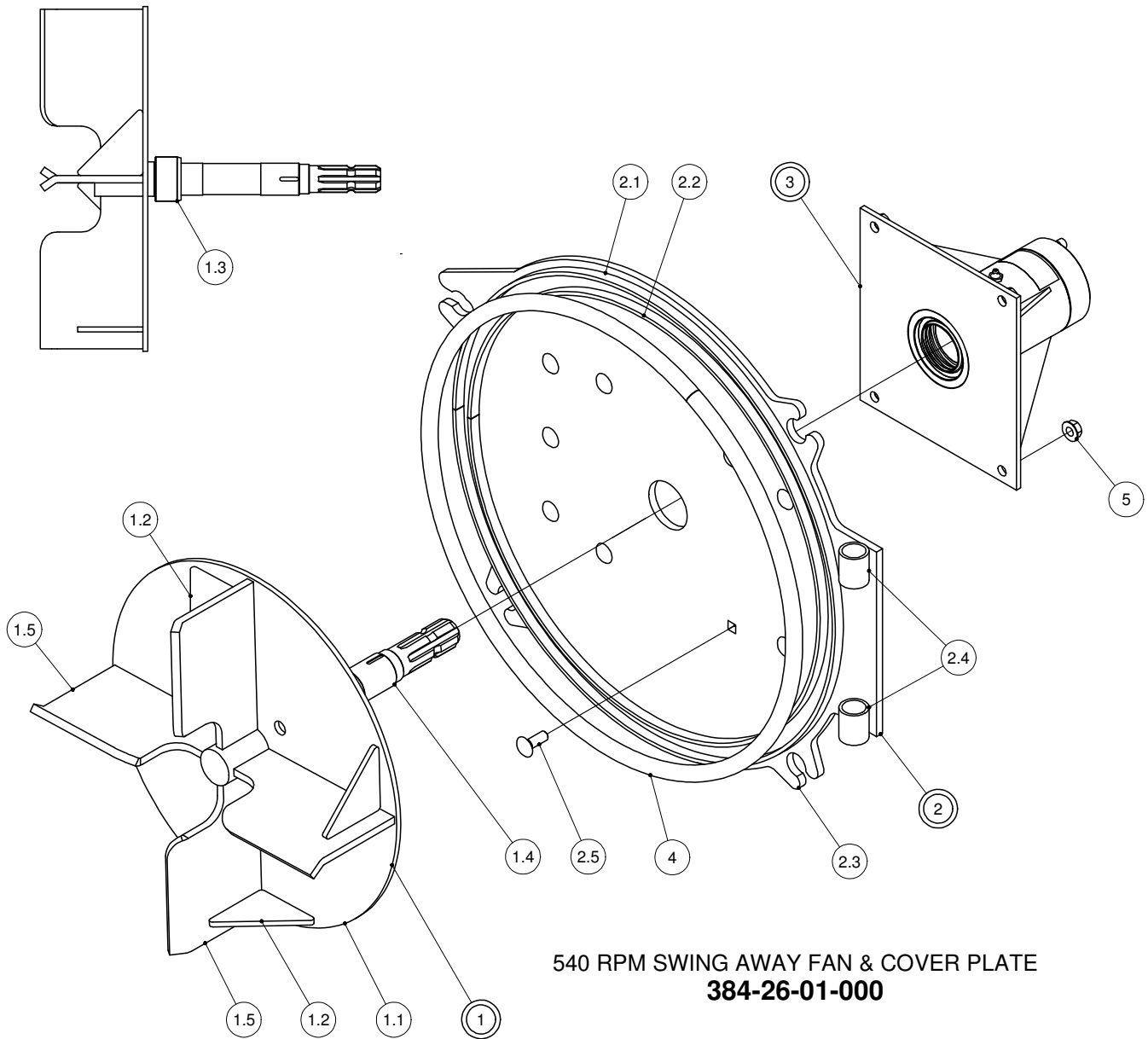
SWING AWAY HOUSING ASSY-CHT



SWING AWAY HOUSING ASSY-CHT
384-20-01-000

PARTS LIST			
ITEM	PART NUMBER	DESCRIPTION	QTY
1	384-20-01-289	HOUSING FLANGE	1
2	364-01-03-376	DISCHARGE RING	1
3	364-62-00-000	DRAIN PLUG KIT	1
4	384-20-01-290	DOOR HINGE	2
5	357-48-01-232	CHT HOUSING BAND	1
6	357-48-01-231	CHT HOUSING BAND AID	1
7	357-48-01-230	CHT FAN HOUSING VERTICAL PC	1
8	357-48-02-000	CHT HOUSING INLET FLANGE ASSY	1
8.1	364-81-02-393	HOUSING FLANGE	1
8.2	357-48-02-233	CHT INLET EXTENSION	2
9	384-20-01-424	SHORT HOUSING LUG	2
10	384-20-01-423	HOUSING LUG	6
11	357-48-01-228	CHT HOUSING BACK PLATE	1

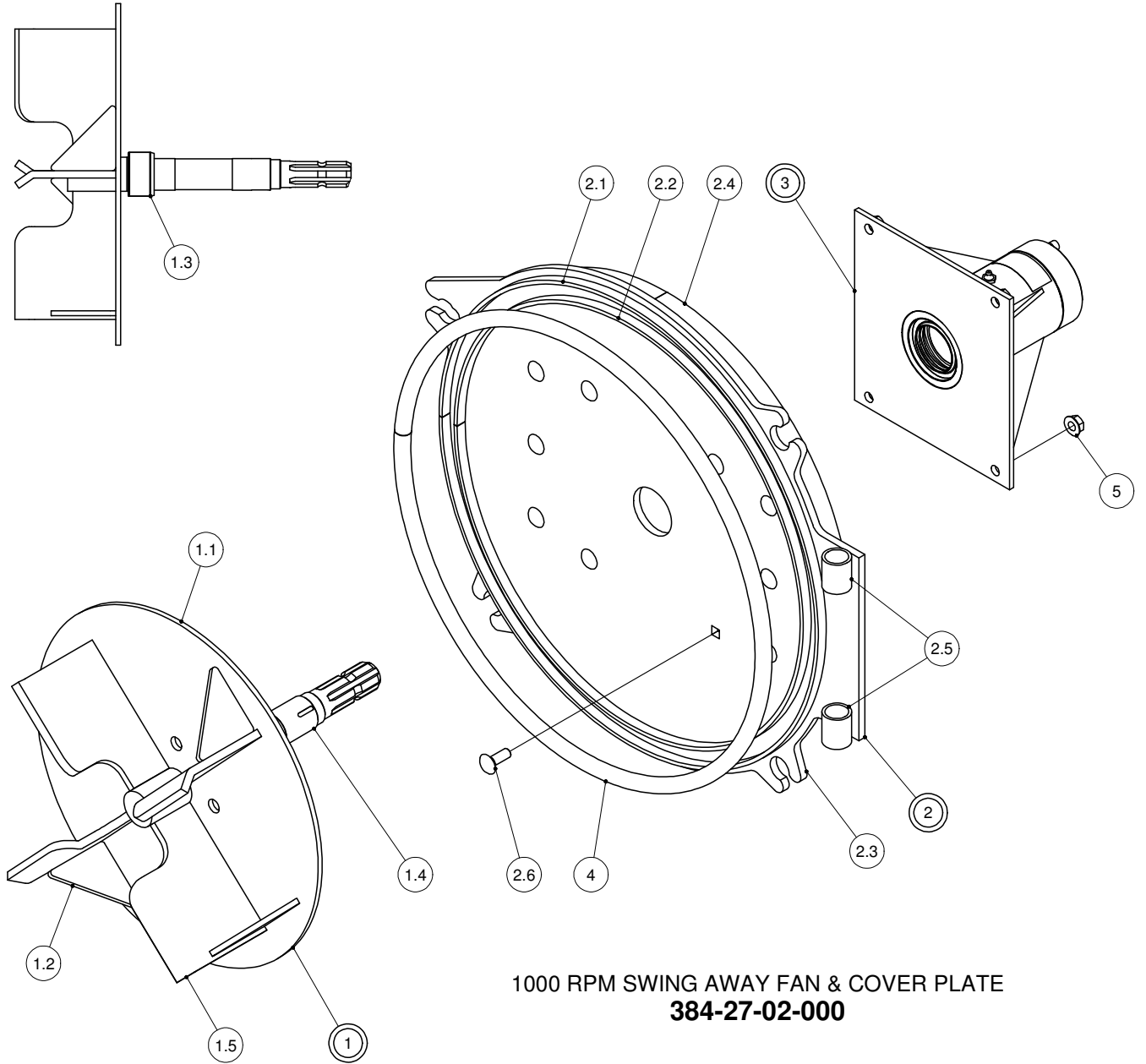
SWING AWAY COVER PLATE - 540 RPM



540 RPM SWING AWAY FAN & COVER PLATE
384-26-01-000

PARTS LIST				PARTS LIST			
ITEM	PART NUMBER	DESCRIPTION	QTY	ITEM	PART NUMBER	DESCRIPTION	QTY
1	384-20-05-000	540 RPM SHORT SHAFT & IMPELLER ASSY - CHT	1	2.1	384-20-03-295	OUTER RING	1
				2.2	384-20-03-296	INNER RING	1
1.1	364-63-00-209	FAN BACK PLATE	1	2.3	384-20-03-294	COVER PLATE	1
1.2	364-72-00-422	FAN BLADE GUSSET	4	2.4	384-20-03-570	HATCH PIN SLEEVE	2
1.3	R20238	HARDENED SEAL SLEEVE	1	2.5	R07774	7/16 x 1 1/4 UNC CARRIAGE BOLT	10
1.4	384-20-05-318	SHORT FAN SHAFT	1	3	357-59-00-000	BEARINGS & HOLDER KIT 2002	1
1.5	384-20-05-541	CHT 540 RPM FAN BLADE	4	4	384-20-00-301	RUBBER SEAL	1
2	384-20-03-000	HOUSING HATCH ASSY	1	5	R07879	7/16-14 UNC FLANGE NUT	10

SWING AWAY COVER PLATE - 1000 RPM



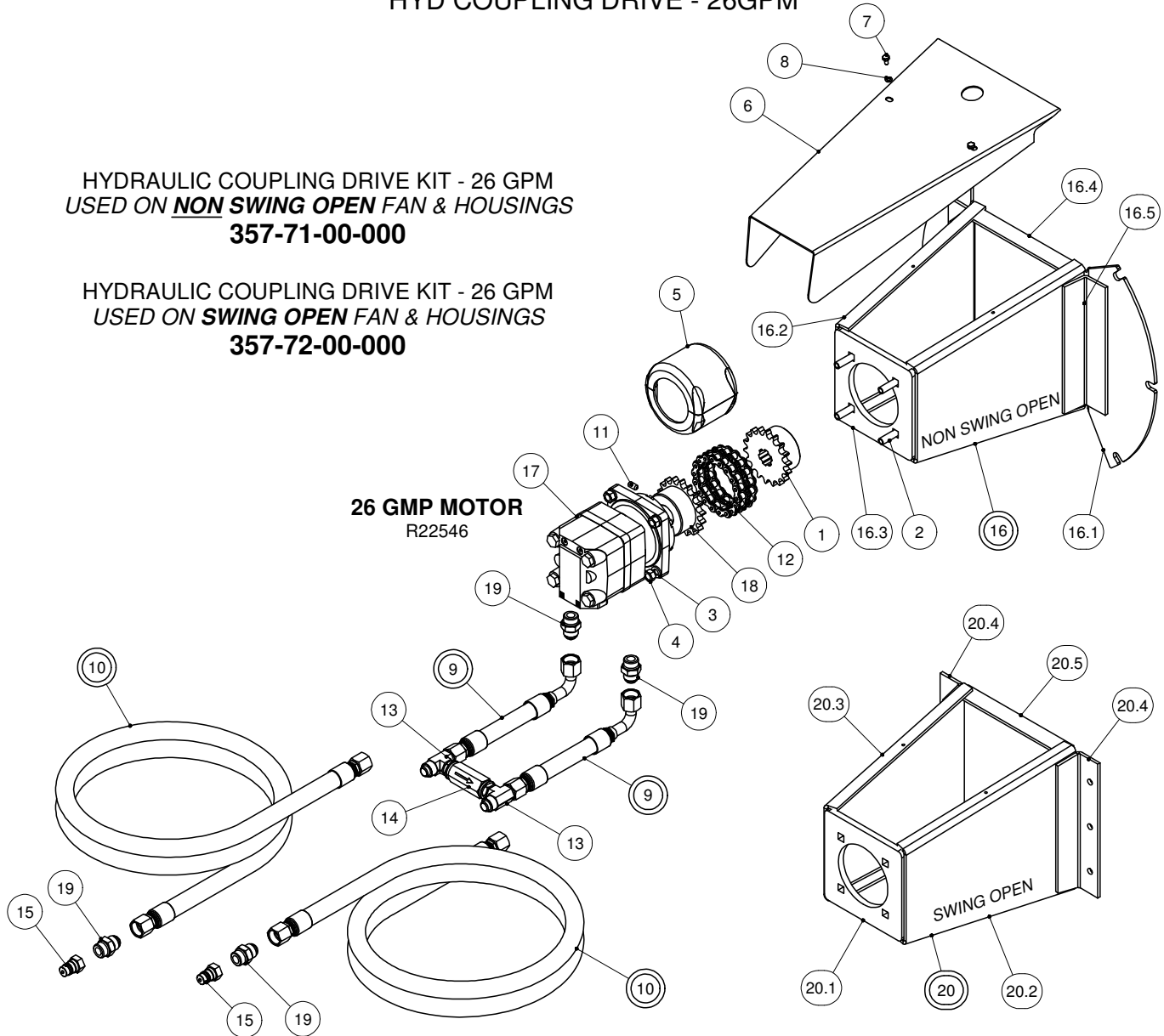
**1000 RPM SWING AWAY FAN & COVER PLATE
384-27-02-000**

PARTS LIST				PARTS LIST			
ITEM	PART NUMBER	DESCRIPTION	QTY	ITEM	PART NUMBER	DESCRIPTION	QTY
1	384-27-01-000	1000 RPM SHORT SHAFT & IMPELLER ASSY - CHT	1	2.2	384-20-03-296	INNER RING	1
				2.3	384-20-03-294	COVER PLATE	1
1.1	364-63-00-209	FAN BACK PLATE	1	2.4	384-27-02-534	REIN. RING-1000 RPM COVER PLATE	1
1.2	364-72-00-422	FAN BLADE GUSSET	4	2.5	384-20-03-570	HATCH PIN SLEEVE	2
1.3	R20238	HARDENED SEAL SLEEVE	1	2.6	R07774	7/16 x 1 1/4 UNC CARRIAGE BOLT	10
1.4	384-20-05-318	SHORT FAN SHAFT	1	3	357-59-00-000	BEARINGS & HOLDER KIT 2002	1
1.5	384-27-01-542	CHT 1000 RPM HIGH FAN BLADE	4	4	384-20-00-301	RUBBER SEAL	1
2	384-27-03-000	HOUSING HATCH ASSY W/RING	1	5	R07879	7/16-14 UNC FLANGE NUT	10
2.1	384-20-03-295	OUTER RING	1				

HYD COUPLING DRIVE - 26GPM

HYDRAULIC COUPLING DRIVE KIT - 26 GPM
 USED ON **NON SWING OPEN FAN & HOUSINGS**
357-71-00-000

HYDRAULIC COUPLING DRIVE KIT - 26 GPM
 USED ON **SWING OPEN FAN & HOUSINGS**
357-72-00-000



PARTS LIST				PARTS LIST			
ITEM	PART NUMBER	DESCRIPTION	QTY	ITEM	PART NUMBER	DESCRIPTION	QTY
1	384-02-00-072	SPROCKET FOR 6 TOOTH SPLINE	1	16	384-18-01-000	N.S.O. MOTOR MOUNT ASSY	1
2	R07744	1/2" x 2 CARRIAGE BOLT	4	16.1	384-18-01-273	LH EXTENSION PLATE	1
3	R07805	1/2 LOCK WASHER	4	16.2	384-18-01-274	RH LONG EXTENSION PLATE	1
4	R07785	1/2 HEX NUT	4	16.3	384-11-01-231	6000 & MLHT 160 SERIES MOUNT PLATE	1
5	R20617	60 - 18 COUPLING COVER	1	16.4	384-02-01-012	REINFORCING STRAP	2
6	384-02-00-005	GUARD	1	16.5	384-18-01-275	REINFORCING ANGLE	2
7	R07698	1/4 x 1/2 HEX BOLT	2	17	R22546	M+S HYD MOTOR - MLHT 160	1
8	R07801	1/4 LOCK WASHER	2	18	384-00-00-277	60B - 18 SPR.-1 1/2" STR SHAFT	1
9	364-48-32-000	3/4" HYD HOSE ASSY	2	19	R23098	ORB-12 x 3/4" JIC M. ADAPTOR	4
10	364-48-24-000	3/4" HYD HOSE ASSY	2	20	384-22-01-000	S.O. MOTOR MOUNT ASSY	1
11	R07911	3/8 x 3/4" SET SCREW	2	20.1	384-11-01-231	6000 & MLHT 160 SERIES MOUNT PLATE	1
12	R20883	60-18 COUPLING CHAIN	1	20.2	384-22-01-309	LH EXTENSION PLATE	1
13	R23066	3/4" X 3/4" JIC X ORB-12 M TEE	2	20.3	384-22-01-310	RH EXTENSION PLATE	1
14	R23328	ORB-12 IN-LINE CHECK VALVE	1	20.4	384-20-04-299	MOUNT ANGLE PLATES	2
15	R23182	MALE PIONEER TIP-ORB-10	2	20.5	384-02-01-012	REINFORCING STRAP	2

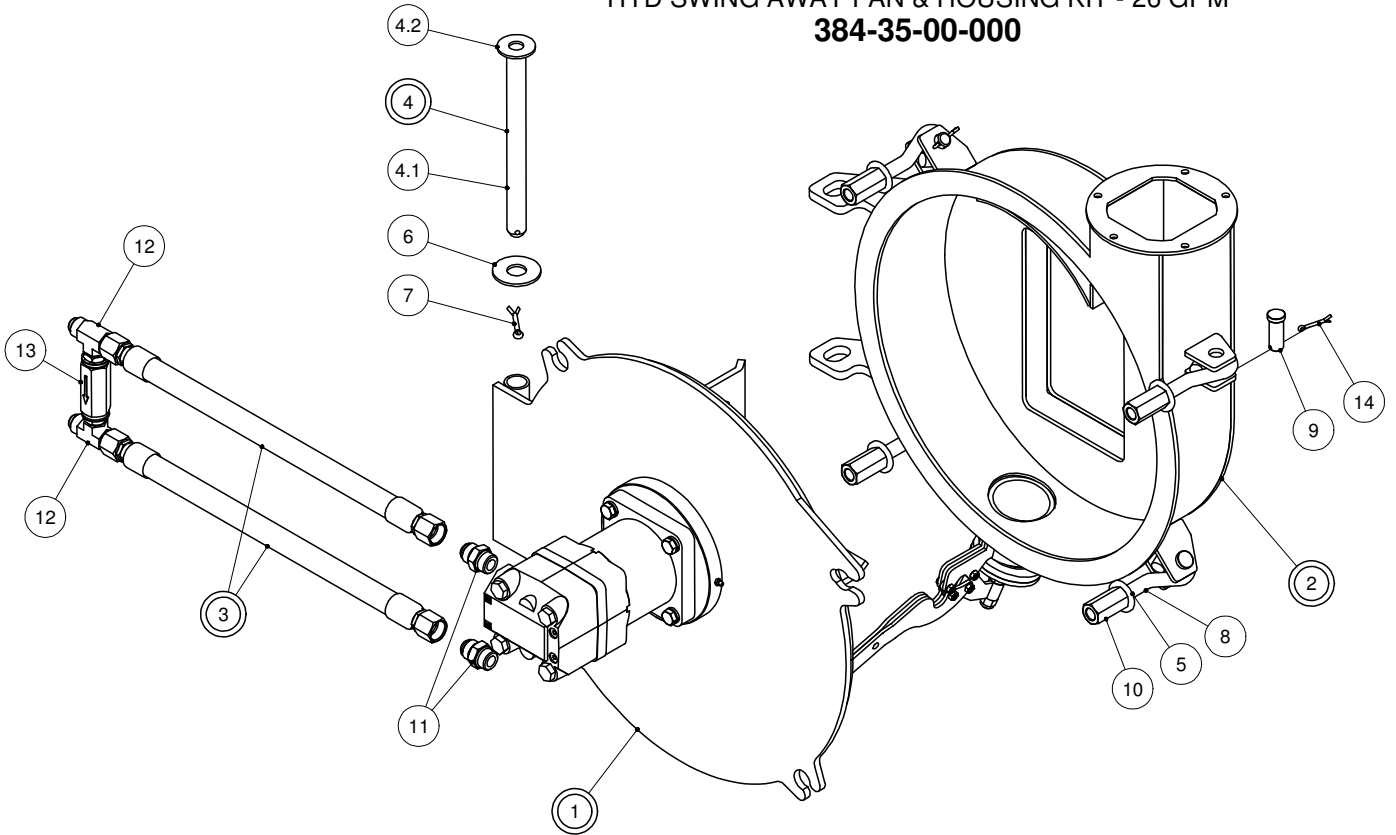
N.S.O = NON SWING OPEN

S.O. = SWING OPEN

HYD SWING AWAY FAN & HOUSING KIT

HYD SWING AWAY FAN & HOUSING KIT - 40 GPM
384-33-00-000

HYD SWING AWAY FAN & HOUSING KIT - 26 GPM
384-35-00-000

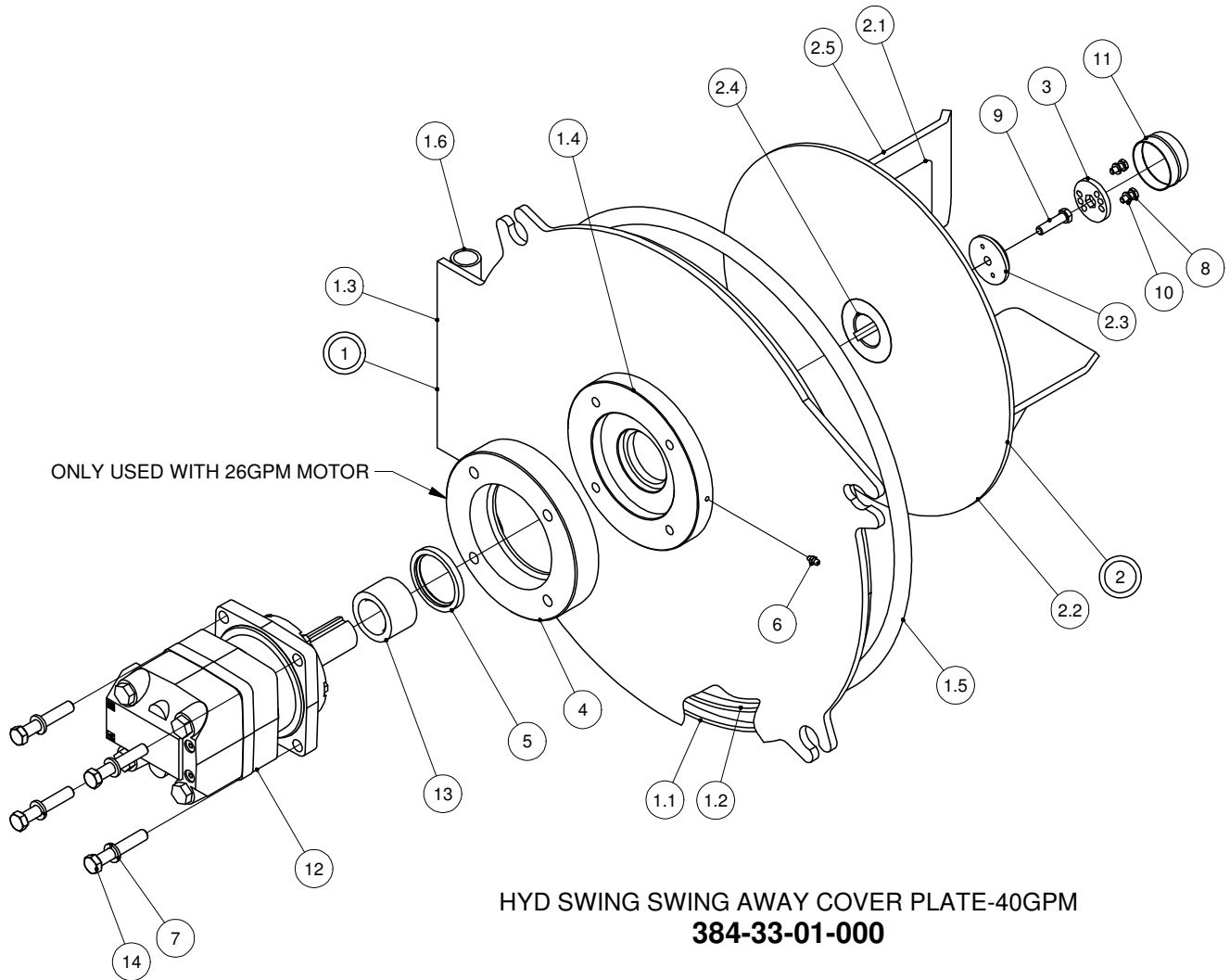


40GPM CHARLYNN MOTOR SHOWN

PARTS LIST

ITEM	PART NUMBER	DESCRIPTION	QTY
1	384-33-01-000	HOUSING HATCH ASSY COMPLETE-40gpm	1
	384-35-01-000	HOUSING HATCH ASSY COMPLETE-26gpm	1
2	384-20-01-000	HOUSING ASSY-CHT(2007)	1
3	384-35-03-000	3/4" HYDRAULIC HOSE ASSY	2
4	376-02-04-000	LID PIN ASSY	1
4.1	376-02-04-508	LID PIN	1
4.2	R07827	3/4" FLAT WASHER	1
5	376-02-00-577	MANWAY WASHER	4
6	R07828	1" FLAT WASHER	1
7	R08016	1/4 x 2 COTTER PIN	1
8	R08442	3/4" EYE BOLT	4
9	R08443	EYE BOLT PIN	4
10	R07800	3/4" COUPLING NUT	4
11	R23098	ORB-12 x 3/4" JIC M. ADAPTOR	2
12	R23066	3/4" X 3/4" JIC X ORB-12 M TEE	2
13	R23328	ORB-12 IN-LINE CHECK VALVE	1
14	R08207	5/32 x 1 1/2 S.S. COTTER PIN	4

HYD SWING AWAY COVER PLATE

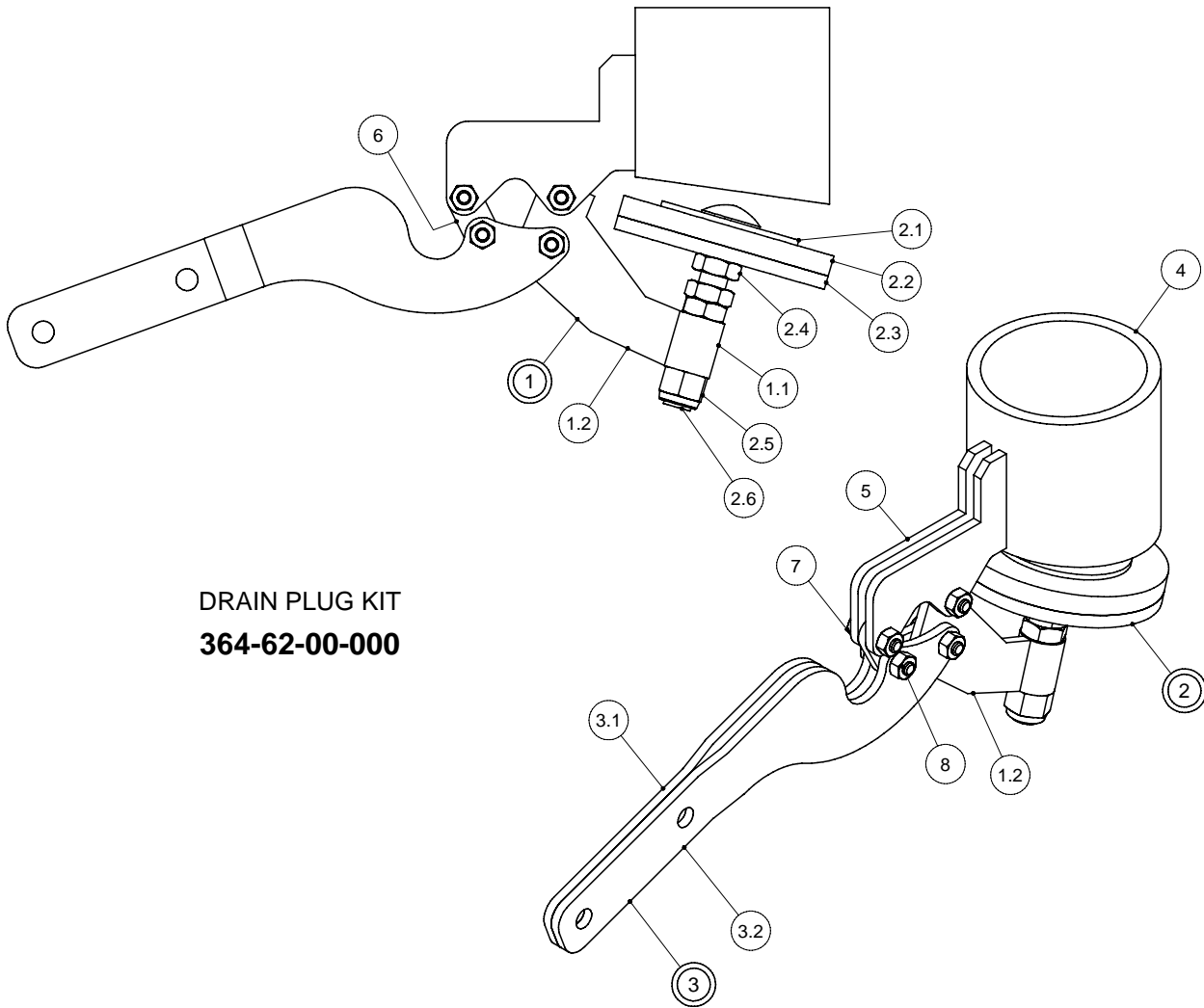


HYD SWING SWING AWAY COVER PLATE-40GPM
384-33-01-000

HYD SWING SWING AWAY COVER PLATE-26GPM
384-35-01-000

PARTS LIST				PARTS LIST			
ITEM	PART NUMBER	DESCRIPTION	QTY	ITEM	PART NUMBER	DESCRIPTION	QTY
1	384-33-02-000	DIRECT DRIVE COVER PLATE ASSY	1	4	384-35-01-544	ADAPTER SEAL BLOCK-26 GPM MTR	1
1.1	384-20-03-295	OUTER RING	1	5	R22524	60 x 75 x 8 METRIC SEAL	1
1.2	384-20-03-296	INNER RING	1	6	R08183	1/4" - 28 STRAIGHT GREASE FITTING	1
1.3	384-33-02-414	COVER PLATE	1	7	R07805	1/2" LOCK WASHER	4
1.4	384-33-02-415	SEAL BLOCK	1	8	R08350	1/4 x 5/8 UNC HEX BOLT	2
1.5	384-20-00-301	RUBBER SEAL	1	9	R07620	3/8 x 1 1/2 UNC HEX BOLT	1
1.6	384-20-03-570	HATCH PIN SLEEVE	2	10	R07801	1/4" LOCK WASHER	2
2	384-33-03-000	DIRECT DRIVE FAN ASSY	1	11	R20153	D4 DUST CAP	1
2.1	364-72-00-422	FAN BLADE GUSSET	4	12	R22546	M+S HYD MOTOR - MLHT 160 - 26GPM	1
2.2	384-33-03-417	FAN BACK PLATE	1		R22600	CHARLYNN MOTOR 112-1065 - 40GPM	1
2.3	384-33-03-420	HUB CAP	1	13	R22463	HARDENED SEAL SLEEVE-26 GPM MTR	1
2.4	384-33-03-418	IMPELLER HUB	1		R22462	HARDENED SEAL SLEEVE-40 GPM MTR	1
2.5	384-33-03-419	CHT 540 RPM FAN BLADE	4	14	R07641	1/2 x 3 UNC HEX BOLT - 26GPM	4
3	384-33-01-422	IMPELLER BOLT LOCK PLATE	1		R07638	1/2 x 1 1/2" UNC HEX BOLT - 40GPM	4

DRAIN PLUG KIT



DRAIN PLUG KIT
364-62-00-000

PARTS LIST			
ITEM	PART NUMBER	DESCRIPTION	QTY
1	364-62-01-000	DRAIN PLUG SLEEVE ASSY	1
1.1	364-62-01-201	SLEEVE	1
1.2	364-62-01-200	SLEEVE LINKAGE	1
2	364-62-05-000	DRAIN PLUG REPLACMENT KIT	1
2.1	364-62-04-370	PLUG WASHER	1
2.2	364-62-02-204	RUBBER PLUG	1
2.3	364-62-02-203	PLUG PLATE	1
2.4	R08046	1/2 - 13 JAM NUT	3
2.5	R08219	1/2 UNC NYLOCK NUT	1
2.6	R08316	1/2 x 3 1/2" FULL THREAD CAR BOLT	1
3	364-62-03-000	HANDLE ASSY	1
3.1	364-62-03-206	LH HANDLE	1
3.2	364-62-03-207	RH HANDLE	1
4	364-01-03-110	DRAIN PIPE	1
5	364-62-00-199	PLUG HOUSING BRKT	2
6	364-62-00-205	SHORT LINKAGE	1
7	R08176	1/4 x 7/8" HEX BOLT	4
8	R08048	1/4" 2 WAY LOCK NUT	4

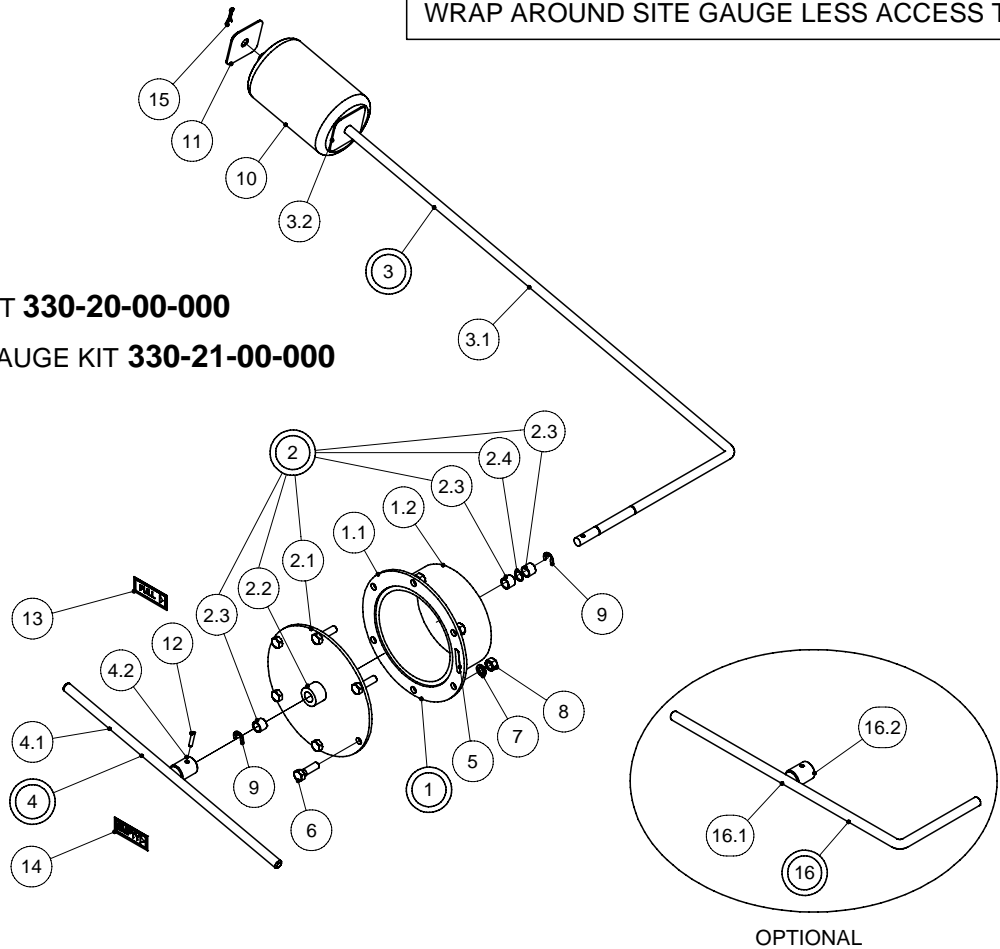
SIGHT GAUGE KIT

PARTS LIST				PARTS LIST			
ITEM	PART NUMBER	DESCRIPTION	QTY	ITEM	PART NUMBER	DESCRIPTION	QTY
1	330-20-03-000	ACCESS TUBE ASSY	1	5	R04100	SILICONE SEALANT	1
1.1	330-20-03-560	ACCESS TUBE FLANGE	1	6	R07675	3/8 x 1 1/4" HEX BOLT	6
1.2	330-20-03-556	ACCESS TUBE	1	7	R07803	3/8 LOCK WASHER	6
2	330-20-04-000	COVER PLATE ASSY	1	8	R07783	3/8 HEX NUT	6
2.1	330-20-00-557	COVER PLATE	1	9	R07974	EXTERNAL RETAINING RING	2
2.2	330-20-04-562	BUSHING HOLDER	1	10	R09524	FLOAT	1
2.3	R21173	1/2 x 5/8 x 1/2" BRONZE BUSHING	3	11	330-20-01-552	FLOAT STRAPS	1
2.4	R20865	O-RING #11-014	1	12	R08241	3/16 x 1 SS ROLL PIN	1
3	330-20-01-000	FLOAT ARM ASSY	1	13	R09529	"FULL" DECAL	1
3.1	330-20-01-551	FLOAT ARM	1	14	R09530	"EMPTY" DECAL	1
3.2	330-20-01-552	FLOAT STRAPS	1	15	R08021	1/8 x 1 S.S. COTTER PIN	1
4	330-20-02-000	INDICATOR ARM ASSY	1	16	330-21-01-000	WRAP AROUND SITE ARM ASSY	1
4.1	330-20-02-554	INDICATOR ARM	1	16.1	330-19-46-546	WRAP AROUND SITE ARM	1
4.2	330-20-02-553	INDICATOR ARM HUB	1	16.2	330-20-02-553	INDICATOR ARM HUB	1

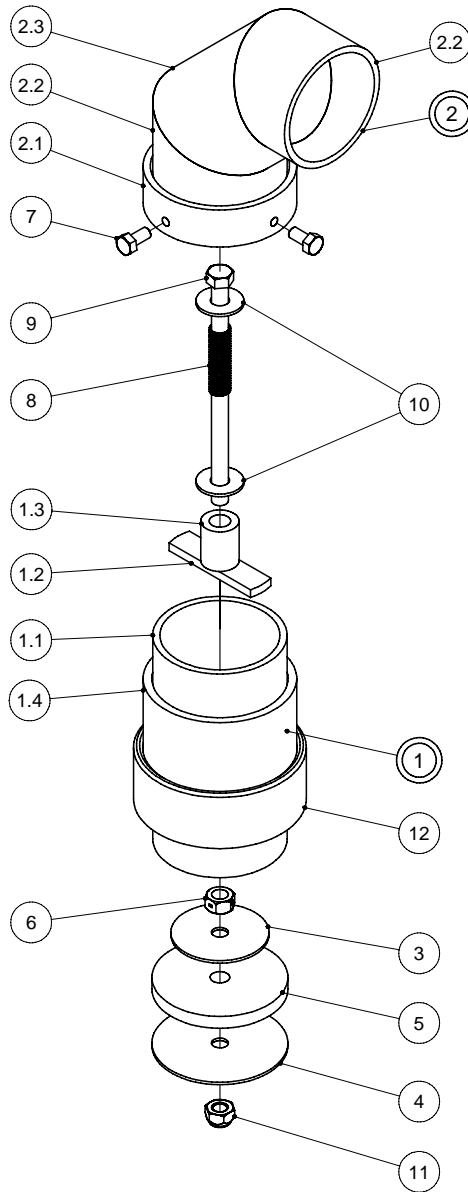
330-22-00-000
SITE GAUGE LESS ACCESS TUBE

330-23-00-000
WRAP AROUND SITE GAUGE LESS ACCESS TUBE

SIGHT GAUGE KIT **330-20-00-000**
WRAP AROUND SIGHT GAUGE KIT **330-21-00-000**



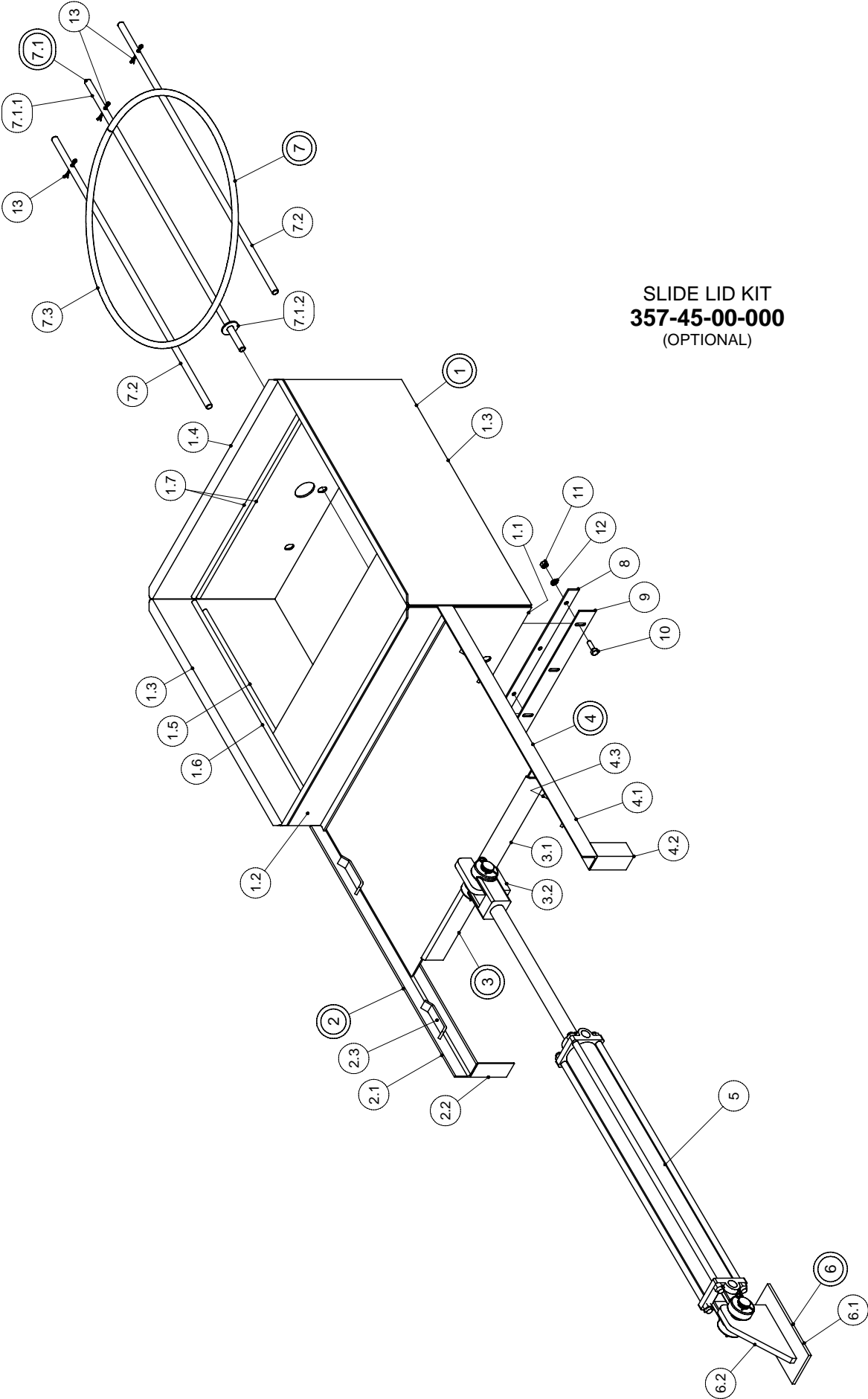
TANK VENT KIT



TANK VENT KIT
357-51-00-000
(OPTIONAL)

PARTS LIST				PARTS LIST			
ITEM	PART NUMBER	DESCRIPTION	QTY	ITEM	PART NUMBER	DESCRIPTION	QTY
1	357-51-01-000	VENT TUBE ASSY	1	4	357-51-00-258	LOWER STAINLESS STEEL WASHER	1
1.1	357-51-01-246	VENT TUBE	1	5	357-51-00-334	RUBBER PLUG	1
1.2	357-51-01-247	VENT STRAP	1	6	R07891	7/16 2-WAY LOCK NUT	1
1.3	357-51-01-248	INNER SLIDE TUBE	1	7	R07690	5/16 x 5/8 HEX BOLT	2
1.4	357-51-01-335	OUTER NIPPLE	1	8	357-51-00-249	SPRING	1
2	357-51-02-000	CAP ASSY	1	9	R07689	7/16 x 7 HEX BOLT	1
2.1	357-51-02-251	SLEEVE	1	10	R07833	7/16" SAE FLAT WASHER	2
2.2	357-51-02-252	ELBOW SECTION	2	11	R08178	7/16 NYLOCK HEX NUT	1
2.3	357-51-02-253	ELBOW MIDDLE SECTION	1	12	R02969	3 1/2" HALF COUPLER	1
3	357-51-00-250	STAINLESS STEEL WASHER	1				

SLIDE LID KIT

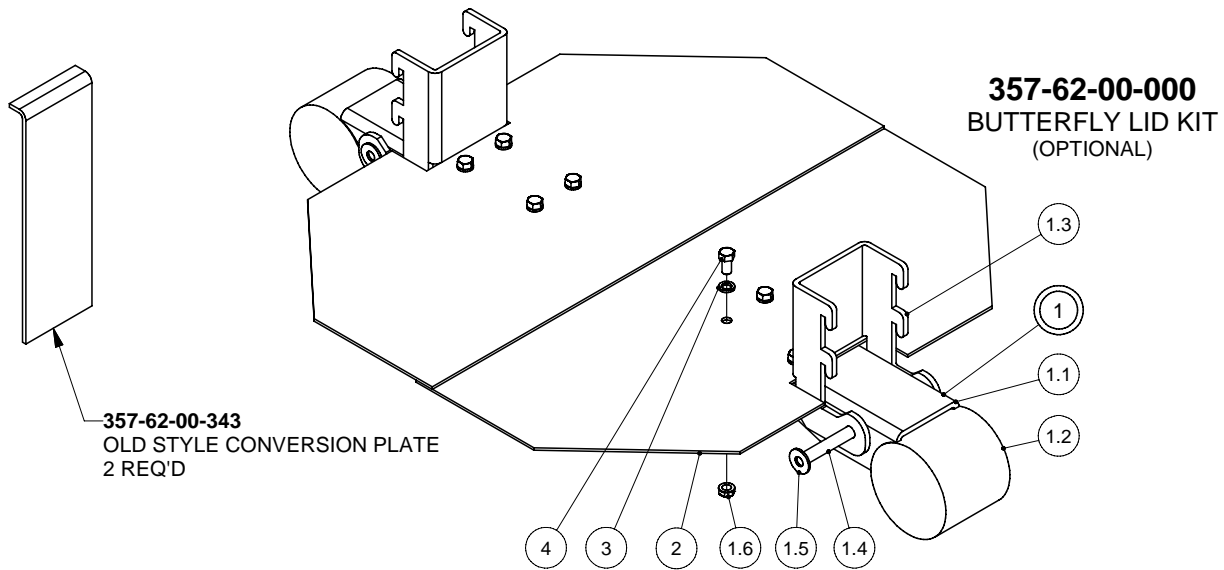


SLIDE LID KIT
357-45-00-000
(OPTIONAL)

SLIDE LID KIT CON'T

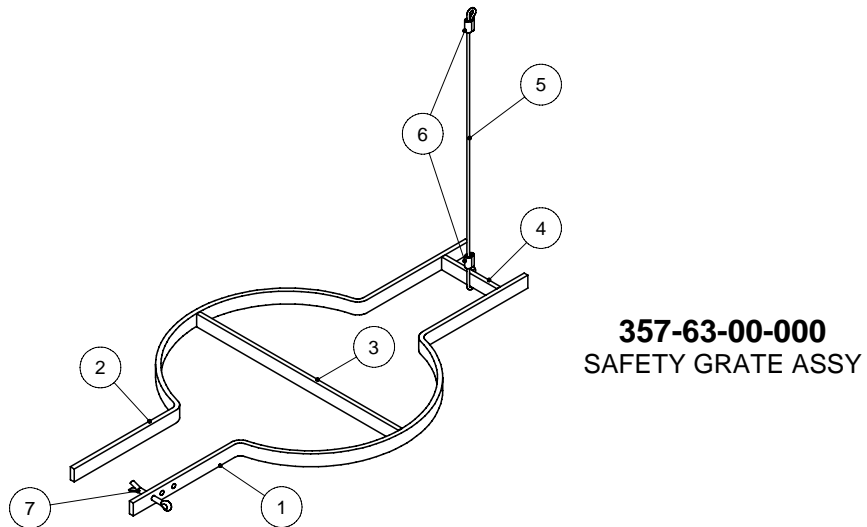
PARTS LIST			
ITEM	PART NUMBER	DESCRIPTION	QTY
1	357-45-01-000	MANHOLE ASSY	1
1.1	357-45-01-204	FRONT LOWER PANEL	1
1.2	357-45-01-205	FRONT UPPER PANEL	1
1.3	357-45-01-202	SIDES	2
1.4	357-45-01-203	REAR PANEL	1
1.5	357-45-01-257	SIDE LOWER GUIDE BARS	2
1.6	357-45-01-206	SIDE UPPER GUIDE BARS	2
1.7	357-45-01-207	REAR GUIDE BAR	2
2	357-45-02-000	RH SLIDE RAIL ASSY	1
2.1	357-45-02-209	SLIDE RAIL	1
2.2	357-45-02-210	SLIDE RAIL LEG	1
2.3	357-45-01-208	LOWER GUIDE	2
(3)	357-45-05-000	LID ASSY - AIR	*
3	357-45-03-000	LID ASSY - HYDRAULIC	1
3.1	357-45-03-213	SLIDE LID	1
3.2	357-45-03-214	SLIDE LID LUG	1
(3.2)	357-45-05-242	SLIDE LID LUG - AIR	*
4	357-45-04-000	LH SLIDE RAIL ASSY	1
4.1	357-45-02-209	SLIDE RAIL	1
4.2	357-45-02-210	SLIDE RAIL LEG	1
4.3	357-45-01-208	LOWER GUIDE	2
5	R22162	2 x 24 HYDRAULIC CYLINDER	1
(5)		AIR CYLINDER	*
(6)	357-45-06-000	TANK LUG ASSY FOR AIR CYLINDER	*
6	357-45-07-000	TANK LUG ASSY FOR HYD CYLINDER	1
6.1	368-54-02-425	CYLINDER BRKT BASE PLATE	1
6.2	357-45-07-254	TANK LUG FOR HYD CYLINDER	1
(6.2)	357-45-06-243	TANK LUG FOR AIR CYLINDER	*
7	357-45-09-000	SAFETY GRATE ASSY	1
7.1	357-45-08-000	SAFETY BAR ASSY	1
7.1.1	357-45-08-274	SAFETY BAR	1
7.1.2	R08320	1/2 S.S. FLAT WASHER	1
7.2	357-45-08-274	SAFETY BAR	2
7.3	357-45-09-314	SAFETY RING	1
8	357-45-00-211	STRAP	1
9	357-45-00-212	RUBBER	1
10	R07611	5/16 x 1" HEX BOLT	5
11	R07782	5/16 HEX NUT	5
12	R07802	5/16 LOCK WASHER	5
13	R08207	5/32 x 1 1/2 S.S. COTTER PIN	3

BUTTERFLY LID & SAFETY GRATE



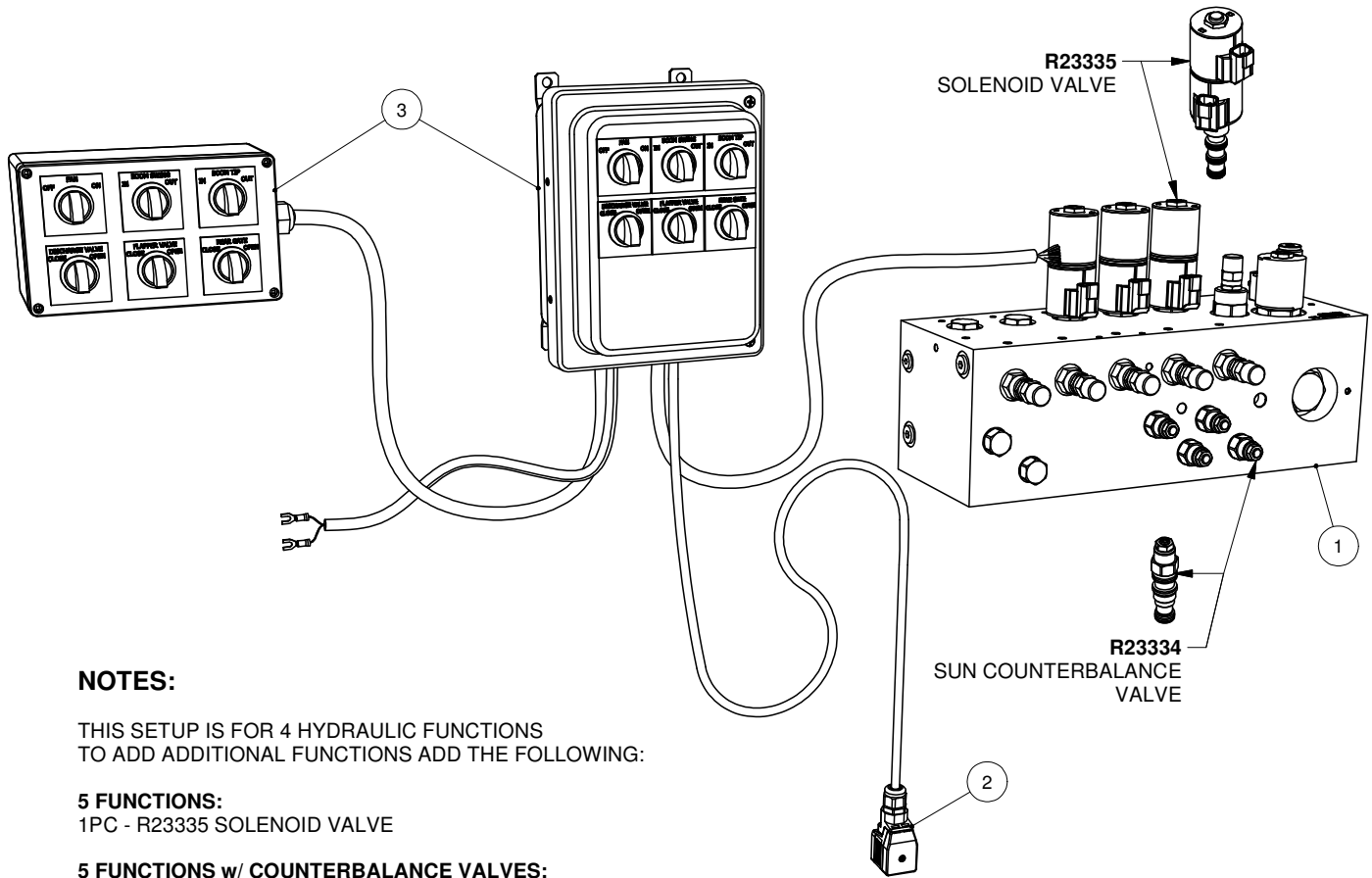
NOTE: WITH INSTALLATION OF A BUTTERFLY LID, A SAFETY GRATE MUST BE USED TO LOCK LID IN PLACE

PARTS LIST				PARTS LIST			
ITEM	PART NUMBER	DESCRIPTION	QTY	ITEM	PART NUMBER	DESCRIPTION	QTY
1	357-62-01-000	BUTTERFLY HINGE KIT	2	1.5	R07824	7/16 FLAT WASHER	2
1.1	357-62-01-316	U - CHANNEL HINGE	1	1.6	R07794	3/8 FLANGE NUT	4
1.2	357-62-01-317	COUNTER WEIGHT	1	2	357-62-00-318	BUTTERFLY LID	2
1.3	357-62-01-319	DROP-IN HINGE	1	3	R08319	3/8 S.S. LOCK WASHER	8
1.4	357-62-01-315	HINGE PIN	1	4	R08317	3/8 x 3/4 S.S. HEX BOLT	8



PARTS LIST			
ITEM	PART NUMBER	DESCRIPTION	QTY
1	357-63-00-320	SAFETY BAR w/ HOLE	1
2	357-63-00-332	SAFETY BAR	1
3	357-63-00-321	CROSS SAFETY BAR	1
4	357-63-00-322	STOP BAR	1
5	357-63-00-331	SAFETY CABLE	1
6	R08068	1/8" ALUMINUM CRIMP SLEEVES	2
7	R08016	1/4 x 2 COTTER PIN	1

UNIVERSAL HYD MANIFOLD KIT



NOTES:

THIS SETUP IS FOR 4 HYDRAULIC FUNCTIONS
TO ADD ADDITIONAL FUNCTIONS ADD THE FOLLOWING:

5 FUNCTIONS:
1PC - R23335 SOLENOID VALVE

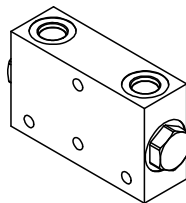
5 FUNCTIONS w/ COUNTERBALANCE VALVES:
1PC - R23335 SOLENOID VALVE
2PC - R23334 SUN COUNTERBALANCE VALVE

6 FUNCTIONS:
2PC - R23335 SOLENOID VALVE

6 FUNCTIONS w/ COUNTERBALANCE VALVES ON FUNCTION #5:
2PC - R23335 SOLENOID VALVE
2PC - R23334 SUN COUNTERBALANCE VALVE

**UNIVERSAL 4 FUNCTION
HYD MANIFOLD KIT
385-38-00-000**

PARTS LIST			
ITEM	PART NUMBER	DESCRIPTION	QTY
1	R23333	UNIVERSAL TRUCKMOUNT MANIFOLD	1
2	R23336	PROPORTIONAL SOFT START DRIVER	1
3	R23337	UNIVERSAL MANIFOLD DUAL CONTROL BOX	1



R23329
DUAL P/O CHECK VALVE - ORB
*USED ON BOOM TIP CYLINDER WHEN
UNIVERSAL MANIFOLD IS NOT USED*

TRUCK MOUNT LIGHTS & EXTRAS

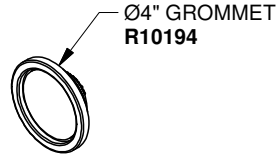


Ø2 1/2" GROMMET
R10355



Ø2 1/2" RED
CLEARANCE LIGHT
R10353

Ø2 1/2" AMBER
CLEARANCE LIGHT
R10354



Ø4" RED LIGHT KIT
R10087

Ø4" BACKUP LIGHT KIT
R10088

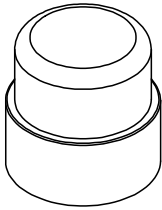
Ø4" AMBER w/ CLEAR BACK
R10347

Ø4" RED **LED** LIGHT KIT
R10358

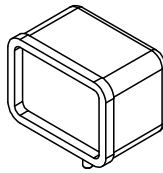


RED CLEARANCE LIGHT
R10089

AMBER CLEARANCE LIGHT
R10090



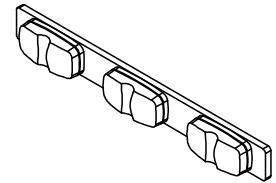
AMBER STROBE BEACON LIGHT
R10337



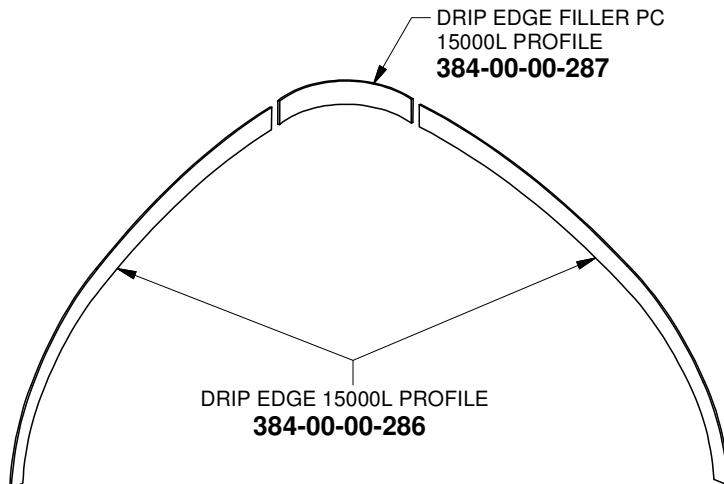
RECT SPOT WORK LIGHT
R10340



LICENSE LAMP
R10093

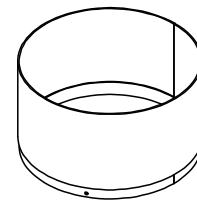


CLEARANCE LIGHT CLUSTER
R10091



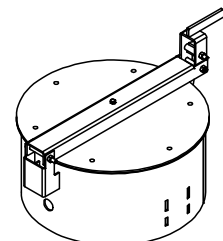
DRIP EDGE FILLER PC
15000L PROFILE
384-00-00-287

DRIP EDGE 15000L PROFILE
384-00-00-286



12" FILLHOLE EXTENSION
408-20-00-000

6" FILLHOLE EXTENSION
358-16-00-000



24" OVER CENTRE HATCH KIT
384-10-00-000